



Reset and Re-Pair

How to reset/re-pair Aluratek-TX and Aluratek-RX

1. Connect "Aluratek-RX" adapter to your display's HDMI port such as TV, monitor or projector.
2. Connect power to "Aluratek-RX" adapter using the included USB-C cable to either the USB port on your display or a power adapter (5V/1A, not included).
3. Press and hold the reset button for 2 seconds. Release when the screen shows "Ready to Pair."
4. Connect the "Aluratek-TX" adapter to the HDMI port on the video source such as laptop, setup box.
5. Connect power to "Aluratek-TX" adapter using the included USB-C cable to either the USB port on your video source or a power adapter (5V/1A, not included).
6. Press and hold the Pair button for 5 seconds to complete the pairing process while the screen shows "Ready to pair". After it is paired, it will start mirroring automatically.

Package Contents

Your order has been carefully packaged and inspected. The following accessories should be included in your package. Please inspect the contents of the package to ensure that you have received all items and that nothing has been damaged. If you discover a problem, please contact us immediately for assistance.



USB-C Cable (x2)



Transmitter adapter



Receiver adapter

Warranty

Aluratek warrants this product against defect in material or workmanship for **1 YEAR** from the date of purchase.

This warranty becomes invalid if the factory-supplied serial number or "warranty void" sticker has been removed or altered on the product.

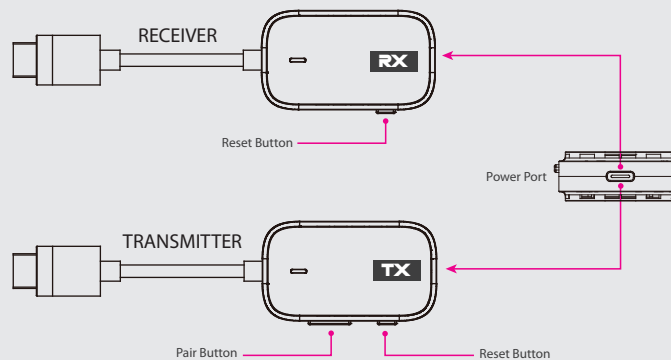
This warranty does not cover:

- A) Cosmetic damage or damage due to acts of God
- B) Accident, misuse, abuse, negligence or modification of any part of the product.
- C) Damage due to improper operation or maintenance, connection to improper equipment, or attempted repair by anyone other than Aluratek.
- D) Products sold AS IS or WITH FAULTS.

IN NO EVENT SHALL ALURATEK'S LIABILITY EXCEED THE PRICE PAID FOR THE PRODUCT FROM DIRECT, INDIRECT, SPECIAL, INCIDENTAL, OR CONSEQUENTIAL DAMAGES RESULTING FROM THE USE OF THE PRODUCT, IT'S ACCOMPANYING SOFTWARE, OR IT'S DOCUMENTATION.

Aluratek makes no warranty or representation, expressed, implied, or statutory, with respect to its products, contents or use of this documentation and all accompanying software, and specifically disclaims its quality, performance, merchantability, or fitness for any particular purpose. Aluratek reserves the right to revise or update its product, software or documentation without obligation to notify any individual or entity.

Product Highlights



Radio and TV Interference Statement

WARNING!!! This equipment has been tested and found to comply with the limits of a Class B digital device, pursuant to part 15 of the FCC rules. These limits are designed to provide reasonable protection against harmful interference in a residential installation.

This equipment generates, uses and can radiate radio frequency energy and, if not installed and used in accordance with the instruction, may cause harmful interference to radio communications. However, there is no guarantee that interference will not occur in a particular installation. If this equipment does cause harmful interference to radio or television reception, which can be determined by turning the equipment off and on, the user is encouraged to try to correct the interference by whatever measures may be required to correct the interference.

Installation

Please follow below steps to setup the adapters:

1. Connect "Aluratek-RX" adapter to your display's HDMI port such as TV, monitor or projector.
2. Connect power to "Aluratek-RX" adapter using the included USB-C cable to either the USB port on your display or a power adapter (5V/1A, not included).
3. Connect the "Aluratek-TX" adapter to the HDMI port on the video source such as laptop, setup box.
4. Connect power to "Aluratek-TX" adapter using the included USB-C cable to either the USB port on your video source or a power adapter (5V/1A, not included).
5. Aluratek-RX and Aluratek-TX will connect automatically.

Note: Quick press the Pair button on Aluratek-TX to stop/restart mirroring

Technical Support

If you need further assistance, please contact the Aluratek support department for troubleshooting prior to returning this device.

E-mail: support@aluratek.com

Web: www.aluratek.com/helpdesk

Local (Irvine, CA): **714-586-8730**

Toll free: **1-866-580-1978**