

Wireless Adapter for Apple CarPlay®

Quick Start Guide

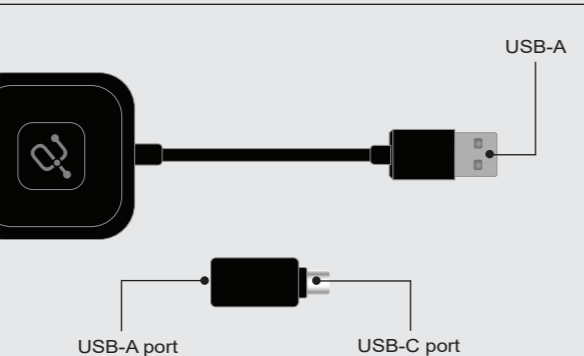


AWCPA01FB

aluratek.com

qsg Q10647 Copyright © 2023 Aluratek, Inc. All Rights Reserved.

Product Highlights



Pairing Instructions

Please make sure your car supports wired CarPlay®. It is recommended to remove the Bluetooth connection if the phone was paired/connected to the car's Bluetooth.

The pairing procedures are as follows.

1. Connect the wireless CarPlay® adapter to the USB-A or USB-C (with the included adapter) port in your car
2. Select CarPlay® app from the car menu

Tech Support & Warranty Information

3. Your car will recognize the wireless adapter and display the device name on the screen (Aluratek-****)
4. Activate your iPhone's Bluetooth and Wi-Fi function. Go to Bluetooth setting and select the device name (Aluratek-****) when it is found
5. Click "Use CarPlay" once it is paired
6. You are ready to enjoy wireless CarPlay®

Radio and TV Interference Statement

If you need further assistance, please contact the Aluratek support department for troubleshooting prior to returning this device.

E-mail: support@aluratek.com

Web: www.aluratek.com/support

Local (Irvine, CA): 714-586-8730

Toll free: 1-866-580-1978

Aluratek warrants this product against defect in material or workmanship for **1 Year** from the date of purchase.

For more information, please visit: <https://aluratek.com/pages/warranty>

You can register your product online at:

<https://aluratek.com/pages/product-registration>

WARNING!!! This equipment has been tested and found to comply with the limits of a Class B digital device, pursuant to part 15 of the FCC rules. These limits are designed to provide reasonable protection against harmful interference in a residential installation.

This equipment generates, uses and can radiate radio frequency energy and, if not installed and used in accordance with the instruction, may cause harmful interference to radio communications. However, there is no guarantee that interference will not occur in a particular installation. If this equipment does cause harmful interference to radio or television reception, which can be determined by turning the equipment off and on, the user is encouraged to try to correct the interference by whatever measures may be required to correct the interference.