

Adjustable Ergonomic Laptop Cooling Table with Fan

Quick Start Guide

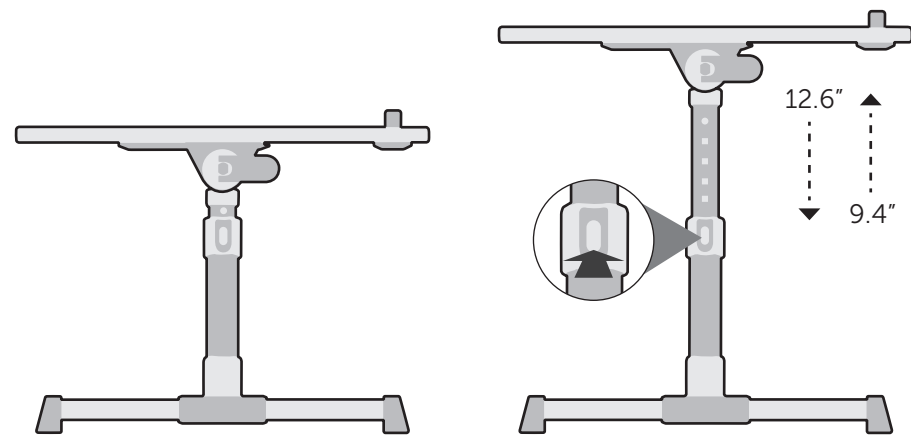


model ACT01F

aluratek.com

qsg Q10415 Copyright © 2016 Aluratek, Inc. All Rights Reserved.

Height Adjustment



Press down on the side buttons to release the locks in order to adjust height levels. There are four height levels you can adjust to.

Technical Support

If you need further assistance, please contact the Aluratek support department for troubleshooting prior to returning this device.

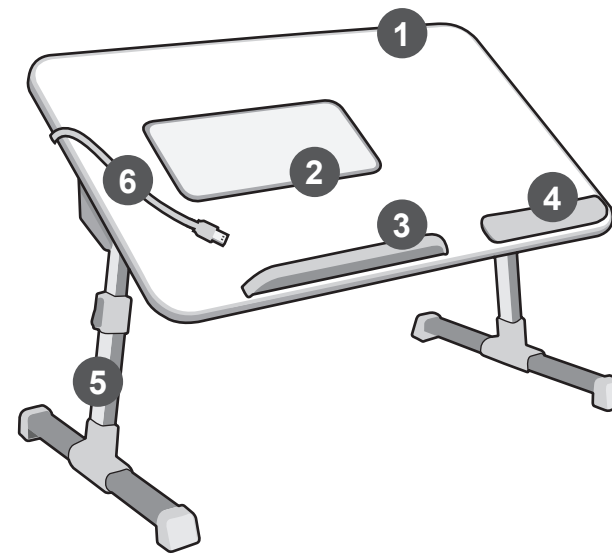
E-mail: support@aluratek.com

Web: www.aluratek.com/helpdesk

Local (Irvine, CA): 714-586-8730

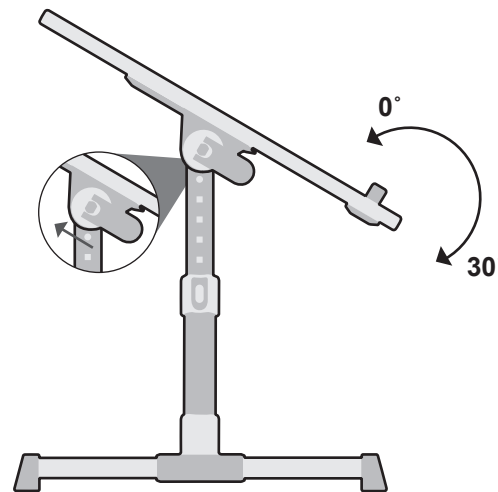
Toll free: 1-866-580-1978

Product Highlights



- 1 Table Surface
- 2 Cooling Fan
- 3 Removable Bumper Bar
- 4 Attached Bumper Bar
- 5 Table Legs
- 6 USB Cable

Tilt Adjustment



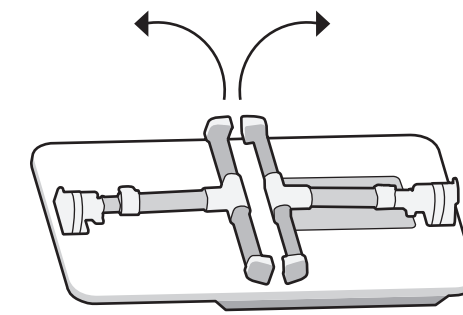
Pull up side clamps to unlock and simply adjust the angle of the table surface by either pushing down or pulling up on it. Push back the side clamps to lock in position.

Radio and TV Interference Statement

WARNING!!! This equipment has been tested and found to comply with the limits of a Class B digital device, pursuant to part 15 of the FCC rules. These limits are designed to provide reasonable protection against harmful interference in a residential installation.

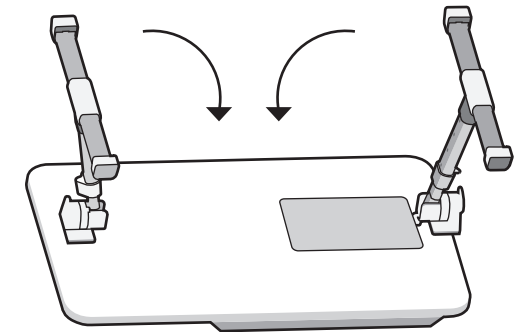
This equipment generates, uses and can radiate radio frequency energy and, if not installed and used in accordance with the instruction, may cause harmful interference to radio communications. However, there is no guarantee that interference will not occur in a particular installation. If this equipment does cause harmful interference to radio or television reception, which can be determined by turning the equipment off and on, the user is encouraged to try to correct the interference by whatever measures may be required to correct the interference.

Folding / Unfolding Legs Instructions

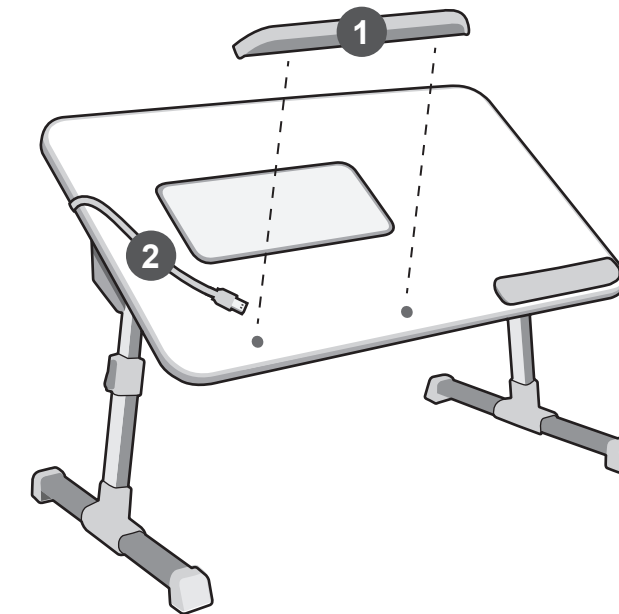


Push down the legs to fold the table legs.

Pull up the legs to unfold the table legs.



Bumper Installation



- 1 To install the bumper, simply insert the bar into the two holes to keep it in place.
- 2 Insert the attached USB cable to the USB port on your laptop to power the cooling fan.

Warranty

Aluratek warrants this product against defect in material or workmanship for **1 YEAR** from the date of purchase.

This warranty becomes invalid if the factory-supplied serial number or "warranty void" sticker has been removed or altered on the product.

This warranty does not cover:

- A) Cosmetic damage or damage due to acts of God
- B) Accident, misuse, abuse, negligence or modification of any part of the product.
- C) Damage due to improper operation or maintenance, connection to improper equipment, or attempted repair by anyone other than Aluratek.
- D) Products sold AS IS or WITH FAULTS.

IN NO EVENT SHALL ALURATEK'S LIABILITY EXCEED THE PRICE PAID FOR THE PRODUCT FROM DIRECT, INDIRECT, SPECIAL, INCIDENTAL, OR CONSEQUENTIAL DAMAGES RESULTING FROM THE USE OF THE PRODUCT, IT'S ACCOMPANYING SOFTWARE, OR IT'S DOCUMENTATION.

Aluratek makes no warranty or representation, expressed, implied, or statutory, with respect to its products, contents or use of this documentation and all accompanying software, and specifically disclaims its quality, performance, merchantability, or fitness for any particular purpose. Aluratek reserves the right to revise or update its product, software or documentation without obligation to notify any individual or entity.