

# Bluetooth Wireless Stereo Headphones

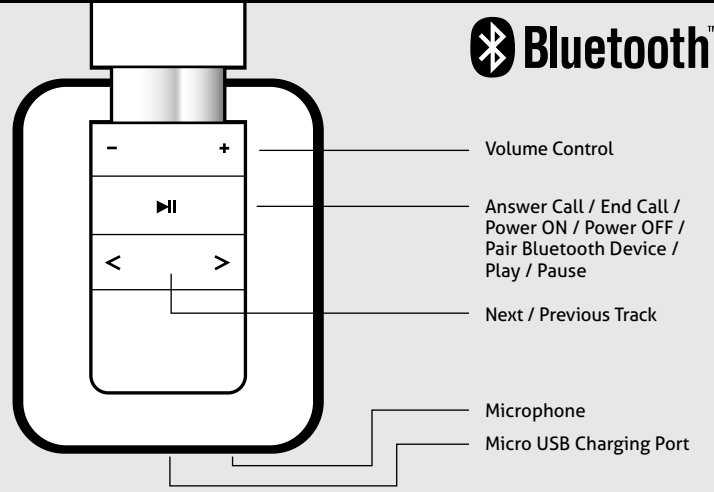
## Quick Start Guide



**ABH04FB**

aluratek.com qsg Q10361 Copyright © 2014 Aluratek, Inc. All Rights Reserved.

### On Ear Controls



### Operation

**Charging the battery**  
The battery is not fully charged and it is highly recommended that you charge ABH04F before you begin using it.

Note: Using ABH04F "out of the box" will not harm the device. You will experience reduced battery life as the unit will not be fully charged.

Connect the larger USB end of the provided cable to your computer / power adapter. Connect the micro smaller micro USB end to the USB port of ABH04F. Please charge the battery for a minimum of 6 hours. The Red LED will be on while charging. When charging is complete, the red LED will turn Blue.

Function	Operation	LED Indicator
Enter Pairing Mode	Ensure ABH04F is turned OFF. Press and hold ▶   button for 6 seconds.	Red and Blue LED flashes rapidly
Power On / Off	Press and hold the ▶   button until the red LED flashes.	Red then Off

### Operation

Note: The pairing mode will last 2 minutes. ABH04F will switch to the standby mode automatically if no devices can be connected within 2 minutes.

**Pairing with the transmitter such as iPhone, smartphone, and tablet:**  
The pairing procedure will vary depending on the actual device. Please refer to the user guide of your device for detail instruction. The pairing procedures are as follows:

1. Make sure ABH04F is powered off.
2. Activate ABH04F pairing mode by press and hold the ▶|| button for 6 seconds. (Red and Blue LED will flash rapidly)
3. Activate your device's Bluetooth function and set your device to search for Bluetooth devices. Select ABH04F when it is found.
4. For transmitter with Bluetooth version 2.1, you will not need to input a code. If you are prompted for PIN, please enter "0000".
5. If prompted by your device to connect, please select "Yes".
6. After connecting successfully, the blue LED will flash every 3 seconds.

Note: Please make sure the audio output is set to Bluetooth / ABH04F for audio streaming from the device.

### Tech Support & Warranty Information

If you need further assistance, please contact the Aluratek support department for troubleshooting prior to returning this device.

E-mail: [support@aluratek.com](mailto:support@aluratek.com)  
Web: [www.aluratek.com/support](http://www.aluratek.com/support)  
Local (Irvine, CA): **714-586-8730**  
Toll free: **1-866-580-1978**

Aluratek warrants this product against defect in material or workmanship for **1 Year** from the date of purchase.

For more information, please visit: <http://aluratek.com/warranty-return-policy>

You can register your product online at: <http://aluratek.com/product-registration>

### Radio and TV Interference Statement

**WARNING!!!** This equipment has been tested and found to comply with the limits of a Class B digital device, pursuant to part 15 of the FCC rules. These limits are designed to provide reasonable protection against harmful interference in a residential installation.

This equipment generates, uses and can radiate radio frequency energy and, if not installed and used in accordance with the instruction, may cause harmful interference to radio communications. However, there is no guarantee that interference will not occur in a particular installation. If this equipment does cause harmful interference to radio or television reception, which can be determined by turning the equipment off and on, the user is encouraged to try to correct the interference by whatever measures may be required to correct the interference.