



USER MANUAL

600 // SLIDEOUT HOOD

TSH60X, TSH60X-L & TSH60X-P

IMPORTANT // Please ensure that you read through this user manual prior to installation and use. This manual contains important information to ensure optimal performance and keep you safe. Please retain your proof of purchase, as this will be required in the event that you require warranty service. Remember to retain this manual for future reference.



HELLO

CONGRATULATIONS ON THE SELECTION OF THIS TISIRA APPLIANCE. TISIRA APPLIANCES HAVE BEEN SPECIFICALLY DESIGNED FOR AUSTRALIAN AND NEW ZEALAND KITCHENS.

Please read through this user manual carefully as it contains information that will ensure that your appliance is installed correctly, important operating & care instructions and also some advice of what you need to do if this appliance is not performing as intended.

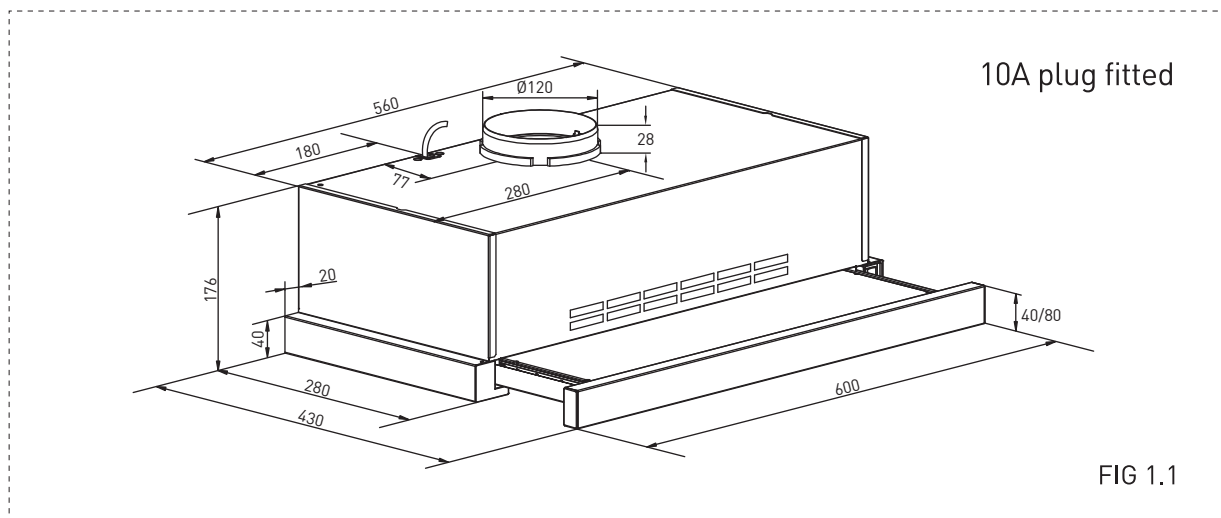
CONTENTS

HELLO	2
CONTENTS	3
WARNING & SAFETY INFORMATION	4
INSTALLATION & DUCTING	5
OPERATING INSTRUCTIONS	7
MAINTAINING YOUR RANGEHOOD	8
PRODUCT SPECIFICATION	9
PROOF OF PURCHASE	10
NOTES	11
CONTACT DETAILS	12

WARNING & SAFETY INFORMATION

- This appliance is not intended for use by persons (including children) with reduced physical, sensory or mental capabilities, or lack of experience and knowledge, unless they have been given supervision or instruction concerning use of the appliance by a person responsible for their safety.
- Young children should be supervised to ensure that they do not play with the appliance.
- There shall be adequate ventilation of the room when the rangehood is used at the same time as appliances burning gas or other fuels.
- You must read the details concerning the method and frequency of cleaning.
- There is a fire risk if cleaning is not carried out in accordance with the instructions.
- Do not flambé under the rangehood.
- Exhaust air must not be discharged into an existing flue which is used for exhausting fumes from appliances burning gas or other fuels.
- The minimum distance between the hob surface and the lowest part of the rangehood is 600mm. This distance shall be at least 650mm, if the rangehood is installed over a gas hob. If the instructions for the gas hob specify a greater distance, this has to be taken into account.
- Attention should be given to ensure that any applicable regulations concerning the discharge of exhaust air is fulfilled.
- If the supply cord of this equipment is damaged, it must only be replaced by the manufacturer or its service agent or a similarly qualified person in order to avoid a hazard.
- This appliance has been designed for indoor domestic use only.
- Do not remove or inspect the filters whilst the hood is in operation.

INSTALLATION & DUCTING



IMPORTANT // Before handling the rangehood during installation, it is recommended that you remove the filter to prevent damage

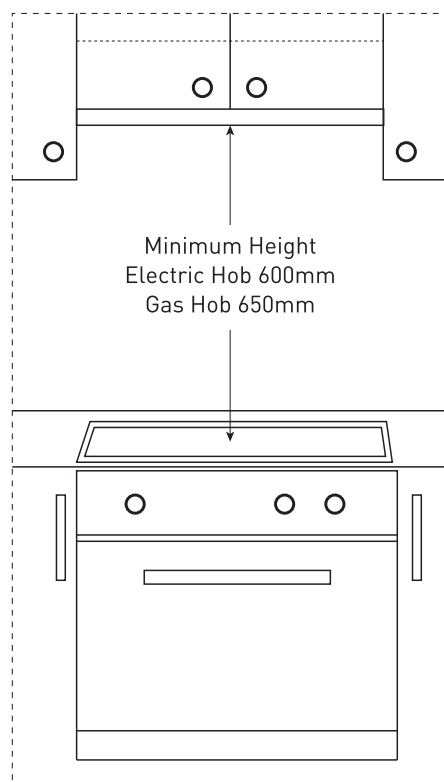
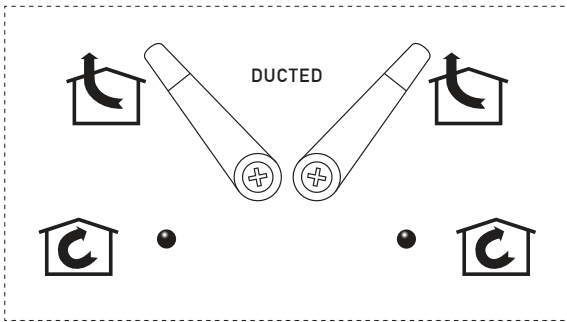


Fig 1.2 illustrates the minimum height from the hob surface to the underside of the rangehood. Electric hob – 600mm, Gas hob - 650mm.

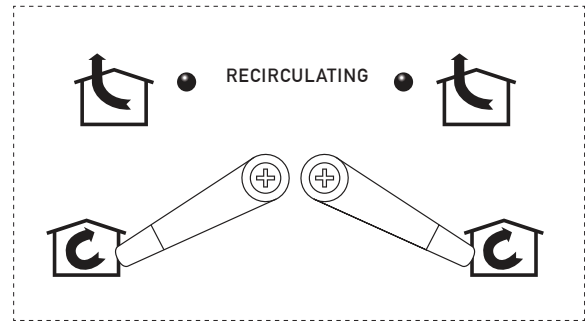
NOTICE // IF THE INSTRUCTIONS FOR THE GAS HOB SPECIFY A GREATER DISTANCE, THIS HAS TO BE OBSERVED. ANY INSTALLATION ABOVE 750MM WILL COMPROMISE PERFORMANCE.

INSTALLATION & DUCTING



DUCTED OPTION

1. Remove the filter.
2. Optional - Replace the 80mm front rail with the 40mm front rail. (inc in box)
3. Make sure that internal switches are in ducted position. (see above)
4. Determine the most efficient path for the ductwork, minimise bends and keep the length of the ductwork to a minimum.
5. Before fixing the range hood, drill a hole to accommodate the 120mm ducting that you have selected.
6. It is important to run and finish all ducting (install roof / wall caps) prior to installation of the hood.
7. Ensure that access has been allowed for the power cable and plug.
8. Hold the hood up to the underside of the cabinet. Screw the rangehood to the underside of the cabinet. Ensure that you do not damage any of the wiring during installation.
9. Attach the ducting adaptor to the ducting.
10. Re-install filter.
11. Plug in the power to the unit, turn on and test.



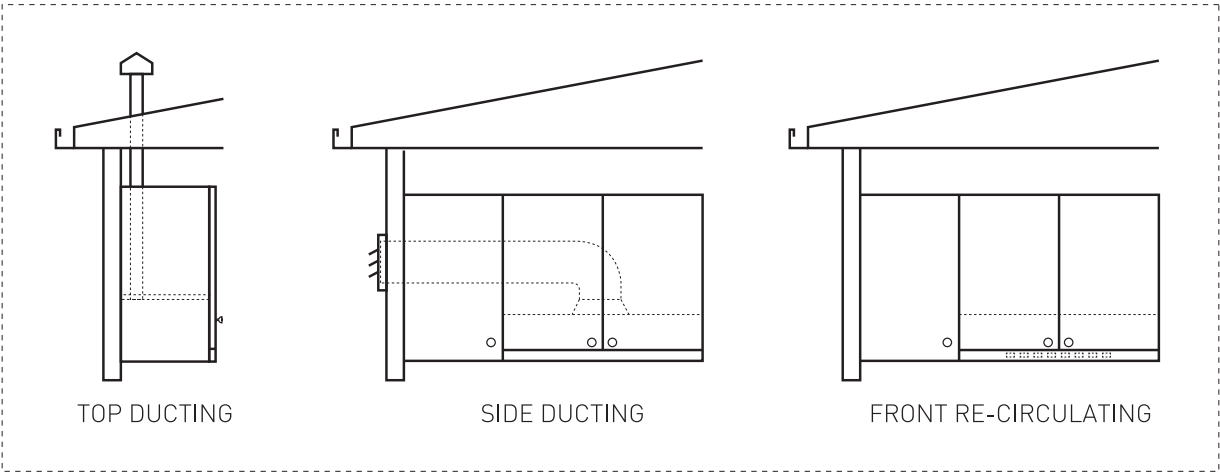
RE-CIRCULATING OPTION

1. Remove the filter.
2. Remove the front cover to expose the front vents. Do not remove the top 120mm outlet cover.
3. Make sure that internal switches are in recirculating position. (see above)
4. Drill 4 fixing holes as per the drawing. Ensure that access has been allowed for the power cable and plug.
5. Hold the hood up to the underside of the cabinet. Screw the rangehood to the underside of the cabinet. Ensure that you do not damage any of the wiring during installation.
6. Re-install filter.
7. Plug in the power to the unit, turn on and test.

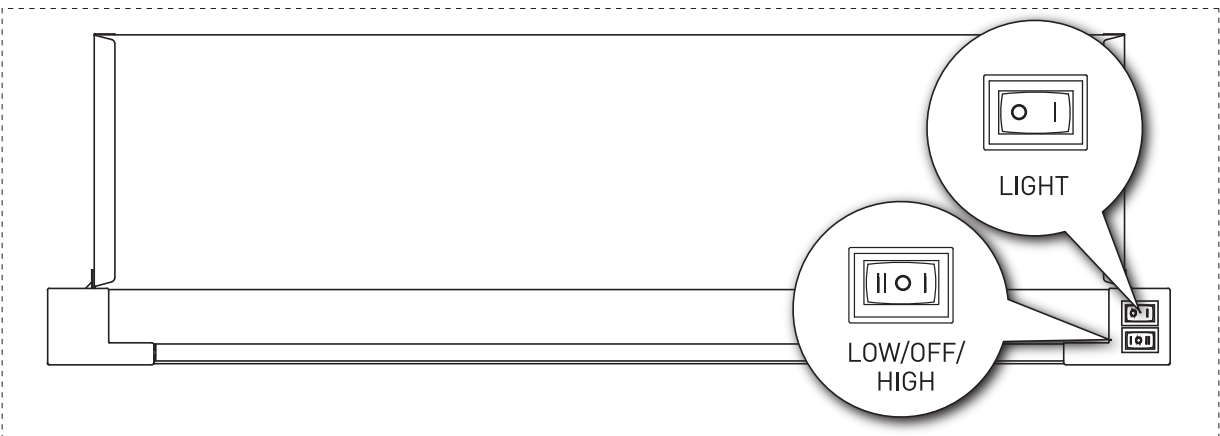
Note // When the rangehood is re-circulating, carbon filters should be installed.

WARNING // DO NOT penetrate any screws into the range hood as this may result in electrical hazards.

WARNING // Failure to install the screws or fixing device in accordance with these instructions may result in electrical hazards.



OPERATING INSTRUCTIONS



IMPORTANT // To operate the unit, ensure that the power is turned on and the front visor is fully extended. This will provide access to the light and speed controls.

FAN SPEED

LOW/OFF/HIGH switch - located on the right hand side of the unit.

This unit features 2 speed settings; single

line indicate low speed, double lines indicate the high speed.

To turn the unit off, you can either slide the visor into the closed position or set the speed switch to the middle position (off).

LIGHT

On/Off switch - located on the left hand side of the unit as indicated in the diagram above.

MAINTAINING YOUR RANGEHOOD

GENERAL MAINTENANCE

Ensure that the power to the unit is switched off prior to cleaning the unit. The surface should only be cleaned with warm soapy water and a soft non-abrasive cloth. In coastal environments and humid areas more frequent cleaning is required to maintain the finish.

FILTERS

This unit is supplied with Aluminium filters designed for ducted installations. Aluminium filters are dishwasher safe or can be cleaned with hot soapy water. Ensure that filters are thoroughly dry before re-installing.

You may want to order charcoal filters designed to eliminate odours from the exhaust fumes when installing the appliance for recirculating mode. This type of filters cannot be cleaned and should be replaced every 3-6 months depending on use.

LAMPS

Your range hood is fitted with one of the following three different types of lamps accordingly to its model:

Model	Lamp Type
TSH60X	28W Halogen E14 (x2)
TSH60X-L	2.5W LED (x1)
TSH60X-P	40W Incandescent E14 (x2)

PRODUCT SPECIFICATION



MODEL: TSH60X

SERIAL:

220-240V ~ 50Hz
Total: 256W

Lights 2 x 28W MAX
Motor: 2 x 100W



www.tisira.com

made in PRC

For service please call:

Australia: 1300 762 219 New Zealand: 09 306 1020



MODEL: TSH60X-L

SERIAL:

220-240V ~ 50Hz
Total: 202.5W

Lights 2.5W
Motor: 2 x 100W



www.tisira.com

made in PRC

For service please call:

Australia: 1300 762 219 New Zealand: 09 306 1020



MODEL: TSH60X-P

SERIAL:

220-240V ~ 50Hz
Total: 280W

Lights 2 x 40W
Motor: 2 x 100W



www.tisira.com

made in PRC

For service please call:

Australia: 1300 762 219 New Zealand: 09 306 1020



PROOF OF PURCHASE

ATTACH YOUR PROOF OF PURCHASE
FOR FUTURE REFERENCE

CONTACT DETAILS

AUSTRALIA

ARISIT PTY LIMITED

40-44 Mark Anthony Drive,
Dandenong South, VIC 3175,
Australia

P // 1300 762 219

F // 03 9768 0838

consumer.care@arisit.com

NEW ZEALAND

ARISIT PTY LIMITED

PO Box 68-140
Newton, Auckland 1145,
New Zealand

P // 09 306 1020

F // 09 302 0077

sales@aristonappliances.co.nz

TISIRA IS COMMITTED TO ONGOING RESEARCH AND DEVELOPMENT.
EVERY EFFORT HAS BEEN MADE TO ENSURE ALL INFORMATION IN
THIS USER MANUAL IS CORRECT AT TIME OF GOING TO PRINT.
DIMENSIONS SHOULD BE USED AS A REFERENCE ONLY AND ACTUAL
DIMENSIONS SHOULD BE TAKEN FROM THE PHYSICAL PRODUCT ONLY.

MANUFACTURER RESERVES THE RIGHT TO CHANGE SPECIFICATIONS
WITHOUT NOTICE.

