

WATERCO

water, the liquid of life

www.waterco.us

SIDE MOUNT DEEP BED INDUSTRIAL FIBERGLASS FILTERS

Proven strength and durability

Seamless one-piece vessel

Waterco's Micron Fiberglass Filters are made from continuous strands of high quality fiberglass filament, wound under controlled tension to create a seamless, impervious vessel. This process produces a filter that is free from welds and seams. No special tank linings are required to fight corrosion. Waterco's revolutionary winding technology further strengthens the vessel, which can be built to withstand a working pressure up to 150psi.

High corrosion resistance

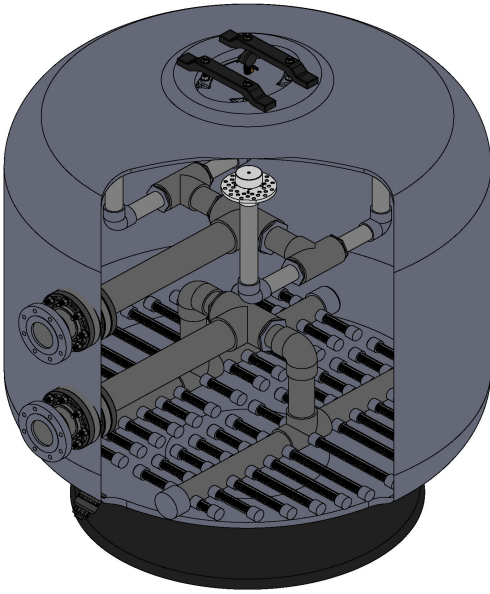
Fiberglass vessels are rapidly replacing traditional steel and carbon steel tanks in numerous applications due to superior mechanical and chemical resistance unlike steel filters. Fiberglass won't rust or corrode, and can also withstand damage from water treatment chemicals. Vessels are ideal for seawater applications, such as pre-filtration in desalination systems.



PN 30501804154NA



NOTE: NSF ON SELECT
MODELS CHART BELOW



- Inflow diffuser for even distribution of water flow across the filter bed
- Elliptical positive-pressure sealing manways
- UV and corrosion-proof resistant fiberglass wound tank
- Hydraulically-balanced laterals maximize water flow for better filtration and backwash
- Manual 3" x 1" media/water drain
- Large filter base for stable floor mounting
- 1/3 the weight of steel
- Triple seal, no metal contact water tight seal
- Vessels include slotted SCH 80 PVC laterals, compatible for air scour/air pulse backwash



PVC flange

Specialized glass reinforced corrosion-resistant backing ring up to 10" in diameter



Patented port boring

Inlet/outlet ports are bored using a digitally-controlled process, which creates flat parallel internal and external surfaces, ensuring a proper seal between the inner and outer wall of the filter tank.

Optional manholes and sight glasses

Waterco's advanced manufacturing capabilities allow for incorporation of sight glasses and large manholes into high-pressure fiberglass filters.



Top Manway

Opening	Available on filter sizes
Oval 16"x12"	SMD/SMDD/SPDD 900 to 2200
Oval 24"x18"	2350 - 3000
Round 24"	Upon request 1200 - 3000

Lateral manway

Opening	Available on filter sizes
Round 8"	SMD/SMDD/SPDD 600 to 3000
Round 13"	1050 to 3000
Oval 13"x8"	1050 to 3000
Oval 17"x13"	1200 to 3000

Sight Glass

	Available on filter sizes
	SMD/SMDD/SPDD
2"	600 to 3000
3"	900 to 3000
4"	1050 to 3000
6"	2000 to 3000

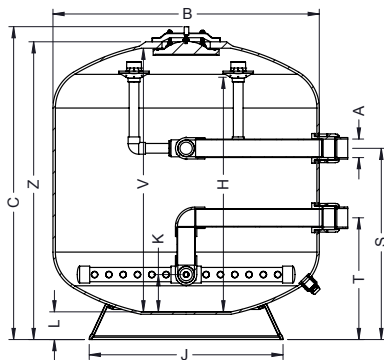
Deep Bed Industrial Fiberglass Vertical Filters- SMD Series

PART NUMBER	PRODUCT DESCRIPTION	NOM.DIAMETER	NSF 50
22506004501NA	SMD600 24" 1.5" BH CONN. 58PSI	24"	
22507504501NA	SMD750 30" 2" BH CONN. 58PSI	30"	
30509004801NA	SMD900 36" 3" BH CONN. 58 PSI SCH 80	36"	✓
30509007804NA	SMD900 36" 3" FLG CONN. 102 PSI SCH 80	36"	
30501054801NA	SMD1050 42" 3" BH CONN. 58 PSI SCH 80	42"	✓
30501204801NA	SMD1200 48" 3" BH CONN. 58 PSI SCH 80	48"	✓
30501204101NA	SMD1200 48" 4" BH CONN. 58 PSI SCH 80	48"	✓
30501404104NA	SMD1400 55" 4" FLG CONN. 58PSI SCH 80	55"	✓
30501407104NA	SMD1400 55" 4" FLG CONN. 102 PSI SCH 80	55"	
30501604104NA	SMD1600 63" 4" FLG CONN. 58PSI SCH 80	63"	✓
30501607104NA	SMD1600 63" 4" FLG CONN. 102 PSI SCH 80	63"	
30501604154NA	SMD1600 63" 6" FLG CONN. 58 PSI SCH 80	63"	✓
30501607154NA	SMD1600 63" 6" FLG CONN. 102 PSI SCH 80	63"	
30501804154NA	SMD1800 71" 6" FLG CONN. 58 PSI SCH 80	71"	✓
30501807154NA	SMD1800 71" 6" FLG CONN. 102 PSI SCH 80	71"	
30502004154NA	SMD2000 79" 6" FLG CONN. 58 PSI SCH 80	79"	✓
30502007154NA	SMD2000 79" 6" FLG CONN. 102 PSI SCH 80	79"	

Specifications

MODEL	PORT SIZE (in.)	BED DEPTH (in.)	INNER DIA. (in.)	FILTER AREA (ft ²)	FILTRATION FLOW RATES (gpm)		BACKWASH FLOW RATES (gpm)		MEDIA VOLUME (gallons)	GRAVEL 1.2-2.4 (lbs.)	SAND 0.6-1.2 (lbs.)
					5 GPM/SQ FT	10 GPM/SQ FT	15 GPM/SQ FT	20 GPM/SQ FT			
SMD600	1.5	39.4		3.05	15	30	46	61	81	100	975
SMD750	2.0	39.4		4.76	24	48	71	95	121	75	1,550
SMD900	3.0	39.4	36	7.10	34	69	103	137	184	275	2,200
SMD1050	3.0	39.4	42	9.62	48	96	144	192	254	450	2,950
SMD1200	3.0	39.4	47.3	12.56	63	126	188	251	322	400	3,900
SMD1200	4.0	39.4	47.3	12.56	63	126	188	251	310	250	3,900
SMD1400	4.0	39.4	55.2	16.49	82	165	247	330	434	500	5,300
SMD1600	4.0	39.4	63	21.64	108	216	325	433	554	450	6,950
SMD1600	6.0	39.4	63	21.64	108	216	325	433	561	700	6,800
SMD1800	6.0	39.4	70.86	27.50	138	275	413	550	767	1,600	8,650
SMD2000	6.0	39.4	78.8	34.00	170	340	510	680	920	1,550	10,750

BH-BULKHEAD AND FLG-FLANGED HIGHER PRESSURE RATED FILTERS AVAILABLE UP TO 8 BAR CALL FOR DETAILS



MODEL	A	B	C	H	J	K	L	S	T	V	Z
INCHES											
SMD1050	3	42.0	74.5	52.5	41.0	7.9	4.3	43.3	29.3	64.0	68.3
SMD1200	3	48.5	74.8	54.0	41.0	8.6	5.5	45.4	31.4	61.8	68.9
SMD1200	4	48.5	74.8	54.0	41.0	8.6	5.5	46.9	29.9	61.8	68.9
SMD1400	4	57.1	76.8	59.0	47.2	8.5	6.4	48.9	31.9	62.9	76.8
SMD1600	4	65.8	78.6	56.3	47.2	7.1	8.6	46.8	29.8	64.8	72.7
SMD1600	6	65.8	78.6	57.9	47.2	8.7	8.6	47.2	28.2	64.8	72.7
SMD1800	6	72.0	78.0	58.1	69.0	8.9	12.4	46.0	27.0	67.3	72.0
SMD2000	6	80.3	81.0	61.0	69.0	11.8	9.6	47.8	28.8	69.5	75.1





Waterco.us 1.800.247.7291

MultiCyclone >  Filters > Pumps > Lights > Media > White Goods > Valves

12.2020