

**WATERCO**

water, the liquid of life

[www.waterco.us](http://www.waterco.us)

# SIDE MOUNT EXTRA DEEP BED INDUSTRIAL FIBERGLASS FILTERS

## Proven strength and durability

### Seamless one-piece vessel

Waterco's Micron Fiberglass Filters are made from continuous strands of high quality fiberglass filament, wound under controlled tension to create a seamless, impervious vessel. This process produces a filter that is free from welds and seams. No special tank linings are required to fight corrosion. Waterco's revolutionary winding technology further strengthens the vessel, which can be built to withstand a working pressure up to 150psi.

### High corrosion resistance

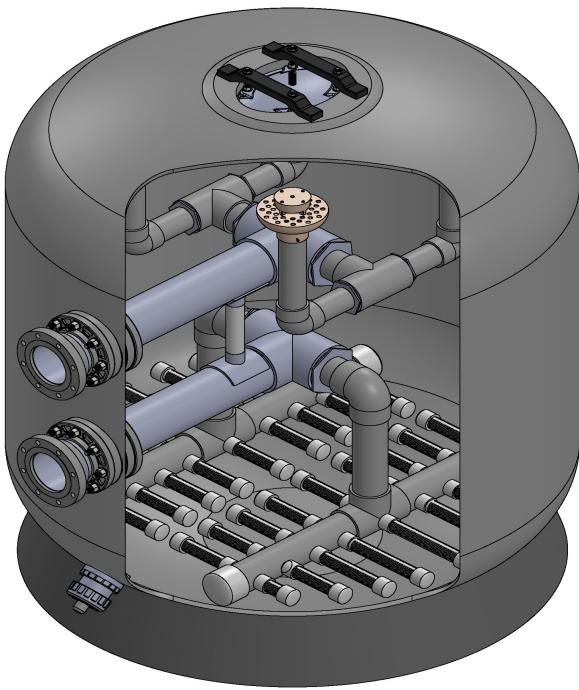
Fiberglass vessels are rapidly replacing traditional steel and carbon steel tanks in numerous applications due to superior mechanical and chemical resistance unlike steel filters. Fiberglass won't rust or corrode, and can also withstand damage from water treatment chemicals. Vessels are ideal for seawater applications, such as pre-filtration in desalination systems.



PN 30492204154NA



NOTE: NSF ON SELECT  
MODELS CHART BELOW



- Inflow diffuser for even distribution of water flow across the filter bed
- Elliptical positive-pressure sealing manways
- UV and corrosion-proof resistant fiberglass wound tank
- Hydraulically-balanced laterals maximize water flow for better filtration and backwash
- Manual 3" x 1" media/water drain
- Large filter base for stable floor mounting
- 1/3 the weight of steel
- Triple seal, no metal contact water tight seal
- Vessels include slotted SCH 80 PVC laterals, compatible for air scour/air pulse backwash



### PVC flange

Specialized glass reinforced corrosion-resistant backing ring up to 10" in diameter



### Patented port boring

Inlet/outlet ports are bored using a digitally-controlled process, which creates flat parallel internal and external surfaces, ensuring a proper seal between the inner and outer wall of the filter tank.

### Optional manholes and sight glasses

Waterco's advanced manufacturing capabilities allow for incorporation of sight glasses and large manholes into high pressure fiberglass filters.



#### Top Manway

Opening	Available on filter sizes
Oval 16"x12"	SMD/SMDD/SPDD 900 to 2200
Oval 24"x18"	2350 - 3000
Round 24"	Upon request 1200 - 3000

#### Lateral Manway

Opening	Available on filter sizes
Round 8"	SMD/SMDD/SPDD 600 to 3000
Round 13"	1050 to 3000
Oval 13"x8"	1050 to 3000
Oval 17"x13"	1200 to 3000

#### Sight Glass

	Available on filter sizes
	SMD/SMDD/SPDD
2"	600 to 3000
3"	900 to 3000
4"	1050 to 3000
6"	2000 to 3000

## Extra Deep Bed Industrial Fiberglass Vertical Filters- SMDD Series

PART NUMBER	PRODUCT DESCRIPTION	NOM. DIAMETER	NSF 50
30499004801NA	SMDD900 36" 3" BH CONN. 58 PSI SCH 80	36"	✓
30491054804NA	SMDD1050 42" 3" FLG CONN. 58 PSI SCH 80	42"	
30491204104NA	SMDD1200 48" 4" FLG CONN. 58 PSI SCH 80	48"	
30491404104NA	SMDD1400 55" 4" FLG CONN. 58 PSI SCH 80	55"	✓
30491604104NA	SMDD1600 63" 4" FLG CONN. 58 PSI SCH 80	63"	✓
30491604154NA	SMDD1600 63" 6" FLG CONN. 58 PSI SCH 80	63"	✓
30491607154NA	SMDD1600 63" 6" FLG CONN. 102 PSI SCH 80	63"	
30491804154NA	SMDD1800 71" 6" FLG CONN. 58 PSI SCH 80	71"	✓
30491807154NA	SMDD1800 71" 6" FLG CONN. 102 PSI SCH 80	71"	
30492004154NA	SMDD2000 79" 6" FLG CONN. 58 PSI SCH 80	79"	✓
30492007154NA	SMDD2000 79" 6" FLG CONN. 102 PSI SCH 80	79"	
30492204154NA	SMDD2200 88" 6" FLG CONN. 58 PSI SCH 80	88"	✓
30492207154NA	SMDD2200 88" 6" FLG CONN. 102 PSI SCH 80	88"	
30492354154NA	SMDD2350 93" 6" FLG CONN. 58PSI SCH 80	93"	✓
30492357154NA	SMDD2350 93" 6" FLG CONN. 102 PSI SCH 80	93"	
30492504204NA	SMDD2500 99" 8" FLG CONN. 58 PSI SCH 80	99"	✓
30493004204NA	SMDD3000 118" 8" FLG CONN. 58 PSI SCH 80	118"	

**BH-BULKHEAD AND FLG-FLANGED  
HIGHER PRESSURE RATED FILTERS  
AVAILABLE UP TO 10 BAR  
CALL FOR DETAILS**

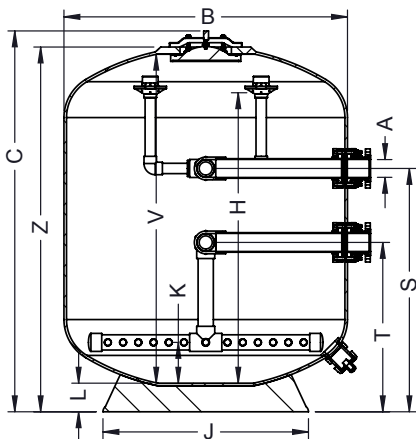
**Fishtail Lateral  
Under Drain System**



Certified to  
NSF/ANSI Standard 50

### Specifications

MODEL	PORT SIZE (in.)	BED DEPTH (in.)	INNER DIA. (in.)	FILTER AREA (ft <sup>2</sup> )	FILTRATION FLOW RATES (gpm)		BACKWASH FLOW RATES (gpm)		MEDIA VOLUME (gallons)	GRAVEL 1.2-2.4 (lbs.)	SAND 0.6-1.2 (lbs.)
					5 GPM/ SQ FT	10 GPM/ SQ FT	15 GPM/ SQ FT	20 GPM/ SQ FT			
SMDD900	3.0	47.21	36.0	7.10	34	69	103	137	217	275	2,625
SMDD1050	3.0	47.2	42.0	9.62	48	96	144	192	282	175	3,600
SMDD1200	3.0	47.2	47.3	12.56	63	126	188	251	370	250	4,700
SMDD1200	4.0	47.2	47.3	12.56	63	126	188	251	374	350	4,650
SMDD1400	4.0	47.2	55.2	16.49	82	165	247	330	512	500	6,350
SMDD1600	4.0	47.2	63.0	21.64	108	216	325	433	666	550	8,350
SMDD1600	6.0	47.2	63.0	21.64	108	216	325	433	666	550	8,350
SMDD1800	6.0	47.2	70.9	27.50	138	275	413	550	901	1,600	10,450
SMDD2000	6.0	47.2	78.8	34.00	170	340	510	680	1,103	1,750	13,000
SMDD2200	6.0	47.2	86.7	41.26	206	413	619	825	1,380	2,750	15,700
SMDD2350	6.0	47.2	93.0	46.72	234	467	701	934	1,533	2,550	17,950
SMDD2500	6.0	47.2	99.0	52.85	264	529	793	1,057	1,728	2,750	20,350
SMDD3000	8.0	47.2	118.1	76.10	381	761	1,142	1,522	2,592	5,500	29,150



MODEL DIMENSIONS	A	B	C	H	J	K	L	S	T	V	Z
	INCHES										
SMDD/ &&	3	36.3	83.1	68.8	28.9	7.4	6.1	66.1	52.1	75.9	83.1
SMDD1050	3	43.1	89.6	70.9	41.1	8.7	6.9	65.0	50.9	76.8	83.3
SMDD1200	3	48.4	88.1	71.7	41.1	6.7	6.9	65.6	51.5	74.8	82.2
SMDD1200	4	48.4	88.1	70.1	41.1	7.1	6.9	51.8	34.8	74.8	82.2
SMDD1400	4	57.1	90.9	70.9	47.3	7.9	8.6	52.4	35.4	77.8	85.0
SMDD1600	4	65.8	89.8	71.1	47.3	7.9	8.6	55.9	38.9	76.8	83.9
SMDD1600	6	65.8	89.8	70.9	47.3	7.9	8.6	54.5	35.4	76.8	83.9
SMDD1800	6	72.0	82.9	72.3	69.0	10.5	3.2	54.5	35.4	78.1	82.9
SMDD2000	6	80.3	94.2	74.7	69.0	11.6	4.4	51.6	32.6	82.4	88.3
SMDD2200	6	87.4	94.9	57.7	69.4	14.1	3.7	54.6	35.6	83.7	89
SMDD2350	6	94.1	97.6	58.2	80.2	13.6	7.0	59.1	40	81.1	91.7
SMDD2500	6	101.5	100.6	62.4	80.2	14.1	6.4	58.8	39.8	84.3	94.7
SMDD3000	8	119.6	120.5	81.5	104.7	18.3	7.5	66.4	47.4	96.5	108.4



Waterco.us 1.800.247.7291

MultiCyclone >  Filters > Pumps > Lights > Media > White Goods > Valves

12.2020