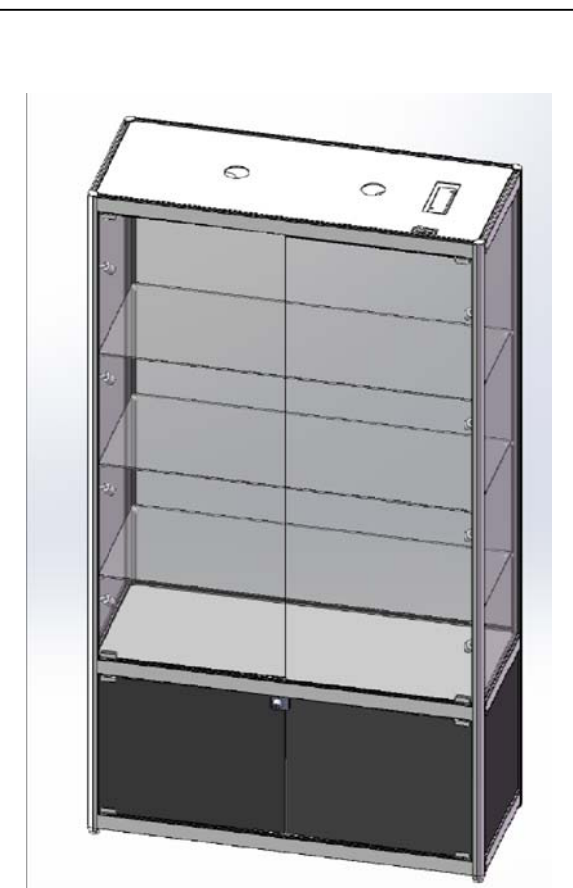


# DTK – Aluminium Glass Display Cabinet & LED Lights with Storage Assembly Instructions

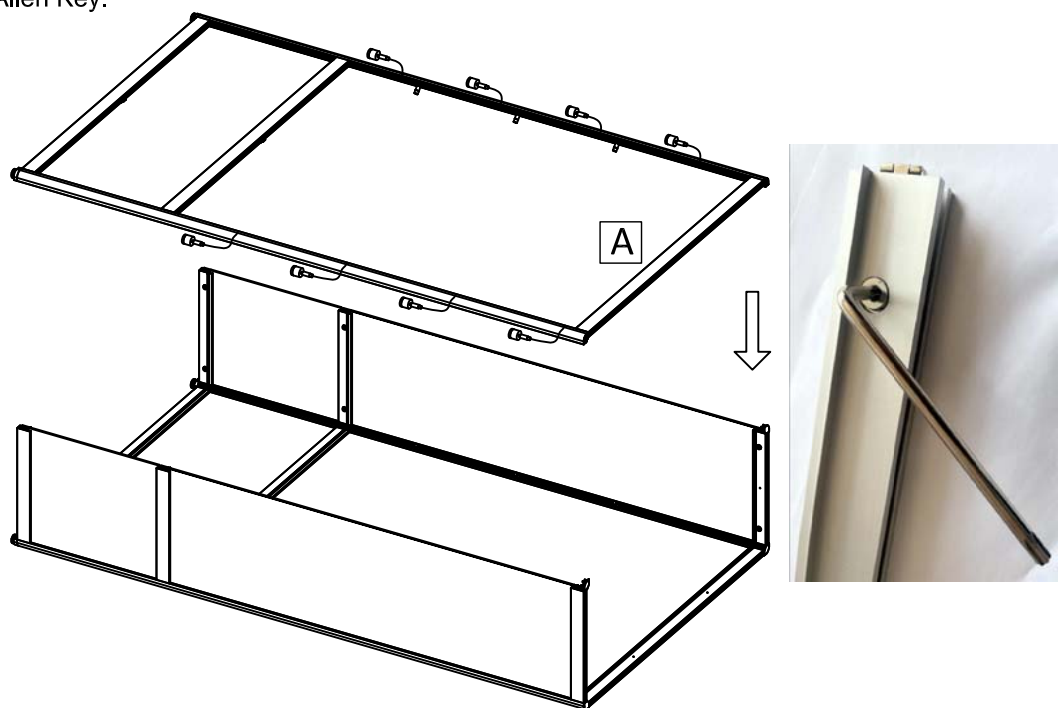
	Image	Description	QTY
A		Front frame-S ( with 6 pcs shelf supports and 8pcs lights )	1
B		Back frame-S with glass	1
C		Top connecting bar (a small hole in the middle)	2
D		Bottom connecting bar	4
E		Side glass panel	2
F		Side wood panel	2
G		Glass door panel	2
H		Wood door panel	2
I		Glass shelf	3
J		Bottom wood panel	2
K		Top wood panel	1
L		Cover panel	1
M		Shelf support	6
N		Hinge plug	8
O		Door hinge L	4
P		Door hinge R	4
Q		Lock	2
R		Black hinge insert	8
S		Bracket	6
T		Top cap	4
U		Top light	2
V		Leveler	4
W		Transformer	1



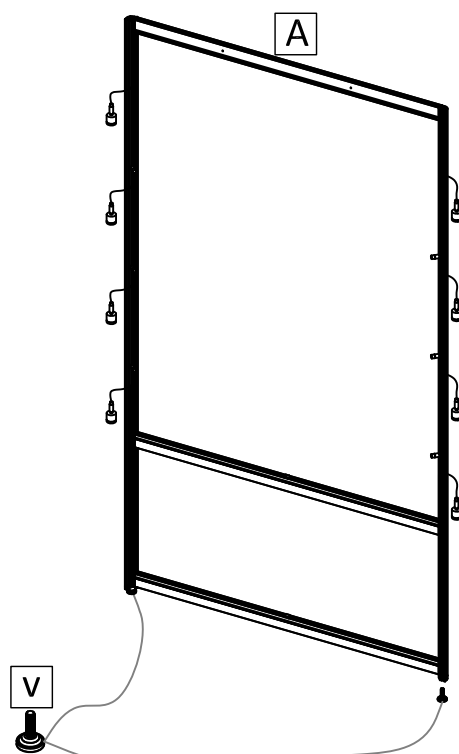
Assembly time: 1 Hour.  
2-3 people required for assembly.  
A Phillips screwdriver will be required.

X		Power cable kit	1
Y		Rubber seal	1
Z		Allen key	1
AA		White cable clip	10

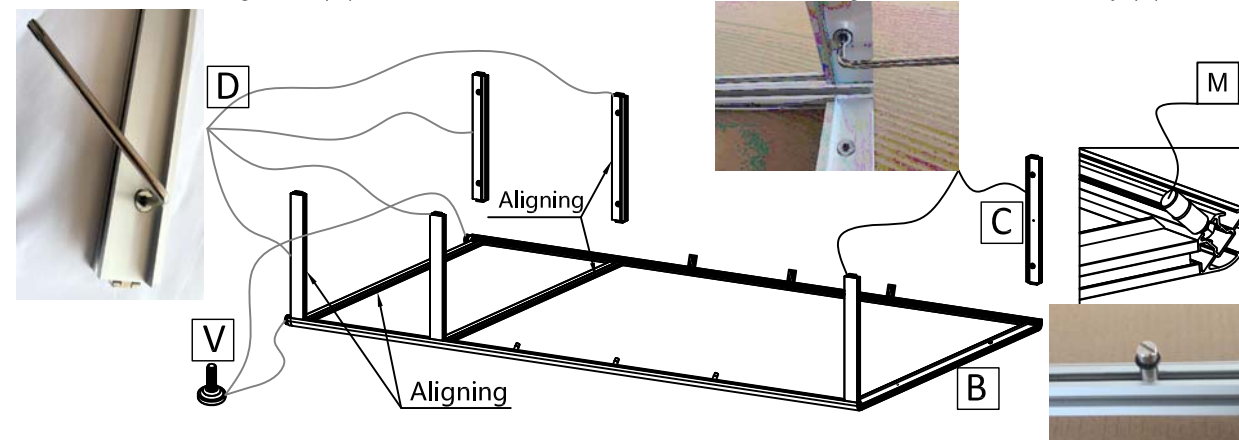
**Step 4:**  
Carefully place the Front Frame (A) on top of the back / side section. Tighten the fixtures using the Allen Key.



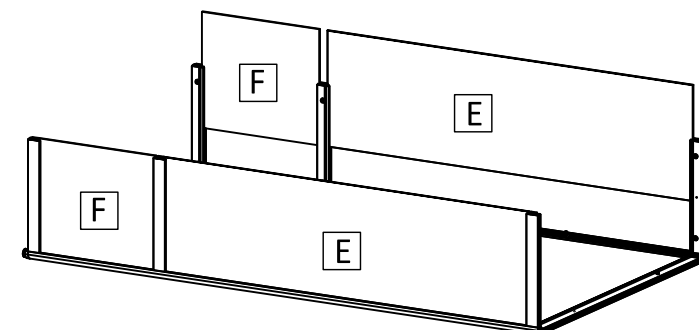
**Step 1:**  
Lay the Front Frame (A) down on a soft, flat surface.  
Insert 2 Leveling feet (V) into the bottom of the Front Frame.



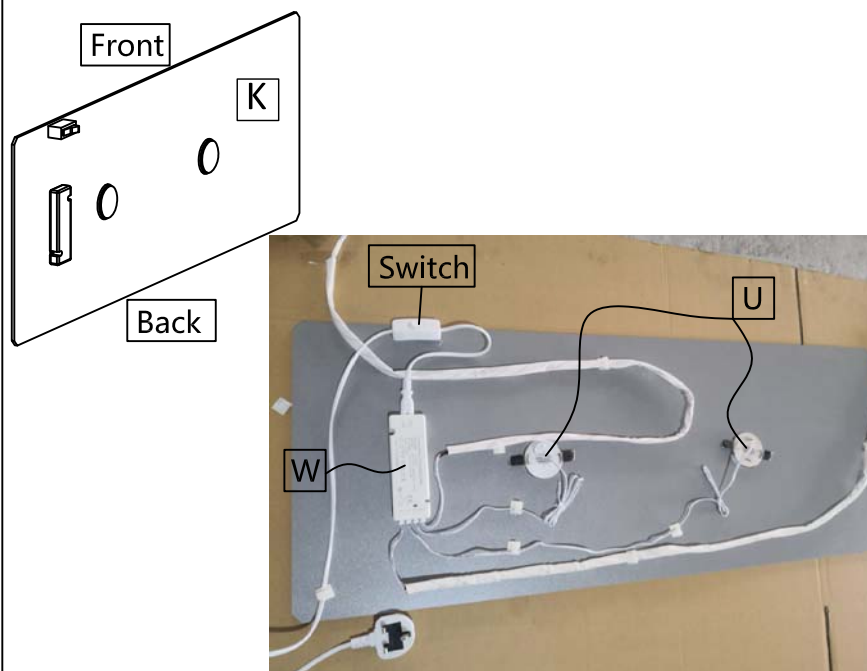
**Step 2:**  
Lay the Back Frame (B) down on a soft, flat surface.  
Insert the 6 shelf supports (M) into the side channel as shown (3 each side) and 2 Leveling feet (V) into the upright and the bottom of the Back Frame.  
Slot the Top and Bottom Connecting Corner Bars (C & D) onto the corners of the Back Frame. Ensure the 4 Bottom Connecting Bars (D) are used for the smaller bottom section. Tighten with the Allen Key (Z).



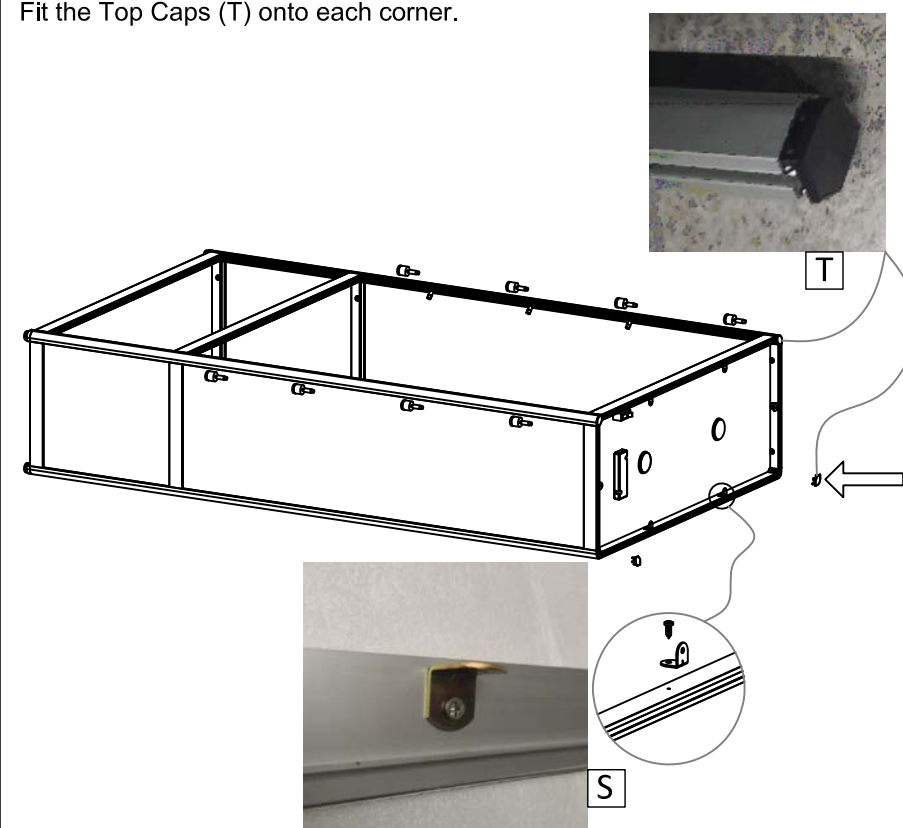
**Step 3:**  
Slot the 2 Side Wood Panels (F) between the Connecting Bars (D).  
Slot the 2 Side Glass Panels (E) into place between the Top & Bottom Corner Bars (C & D).



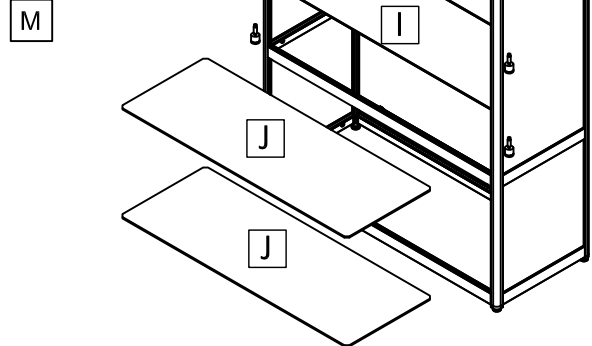
**Step 5:**  
Locate the Top Wood Panel (K), the Top Lights (U), Transformer (W) and Power Cable Kit (X). Ensure all pieces are in position as shown below, with the switch at the front and both Top Lights nested into the round holes of the panel. Ensure the light cables are connected to the Transformer and secure all cables in place using the Cable Clips (AA). Place the assembled Top Panel (K) into the top of the cabinet. Ensure that the lights face into the cabinet, and the side with the wires faces out to form the top of the cabinet. This should rest on the ridge on the inside of the frame.



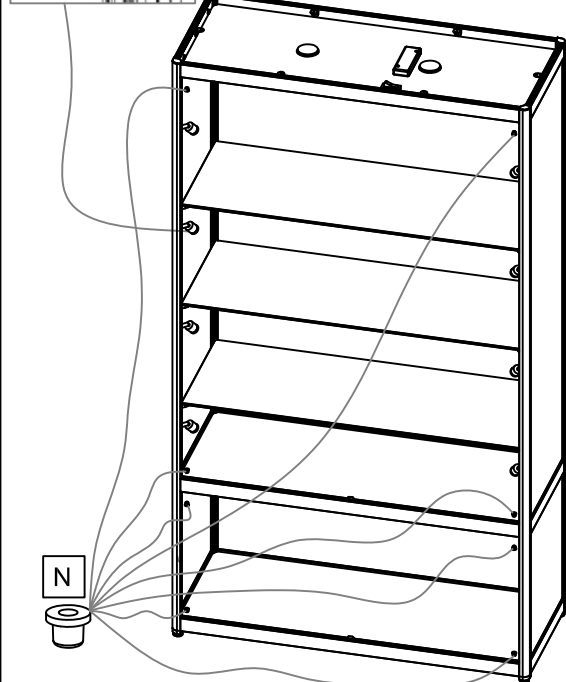
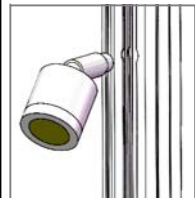
**Step 6:**  
Screw the Brackets (S) on the inside of the top of the cabinet frame as shown. Place the Cover Panel (L) onto the top of the cabinet (this will rest on the Brackets). Ensure the Cover Panel is the correct way around - there will be a cut-out above the switch at the front of the cabinet for access. Fit the Top Caps (T) onto each corner.



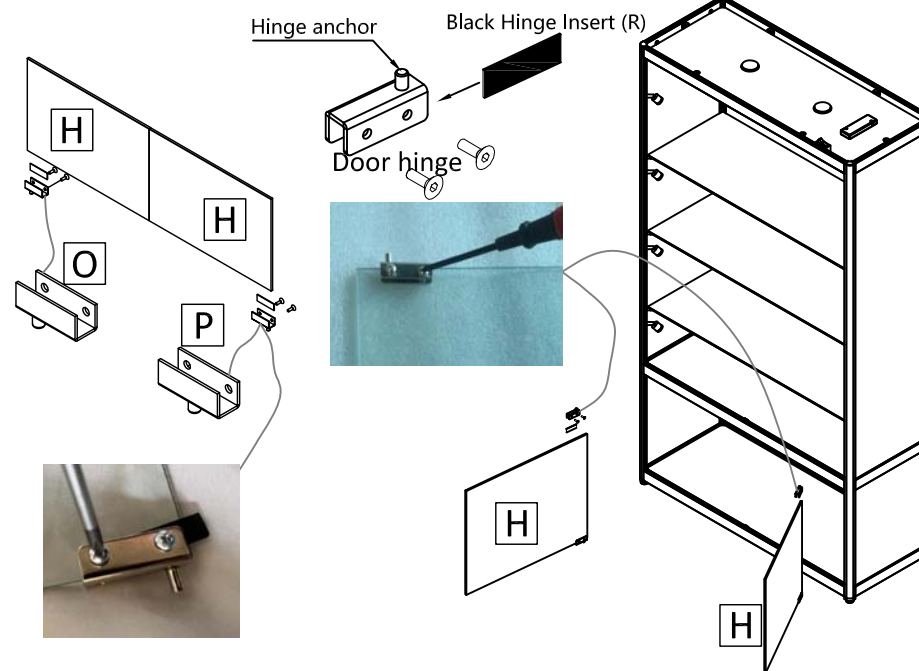
**Step 7:**  
Carefully stand the cabinet upright and slot the 2 Bottom Wood Panels (J) into place at the bottom of the cabinet. Shelf Supports (M) are pre-inserted into the side upright channels for convenience. These are adjustable – simply loosen these inserts with a Phillips screwdriver and move them up/down into the position that you would like each shelf. Tighten again to secure in place. Even if you do not need to adjust these Shelf Supports, tighten them all in place to ensure they are secure. When the Shelf Supports (M) are in place, slot each Glass Shelf (I) into position (they will rest on top of the Shelf Supports).



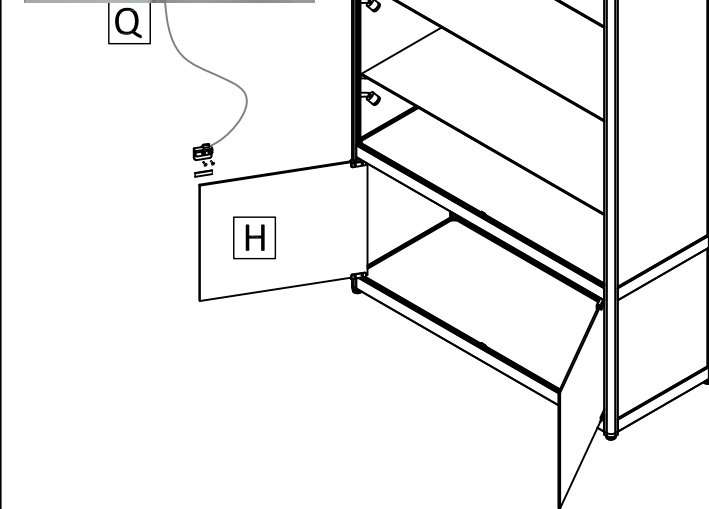
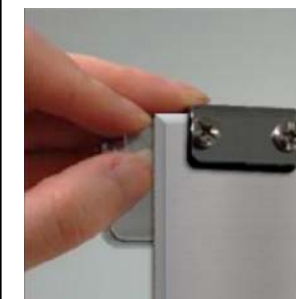
**Step 8:**  
Screw the light fixtures into place along the front upright channels. Insert the Hinge Plugs (N) into the Front Frame as shown.



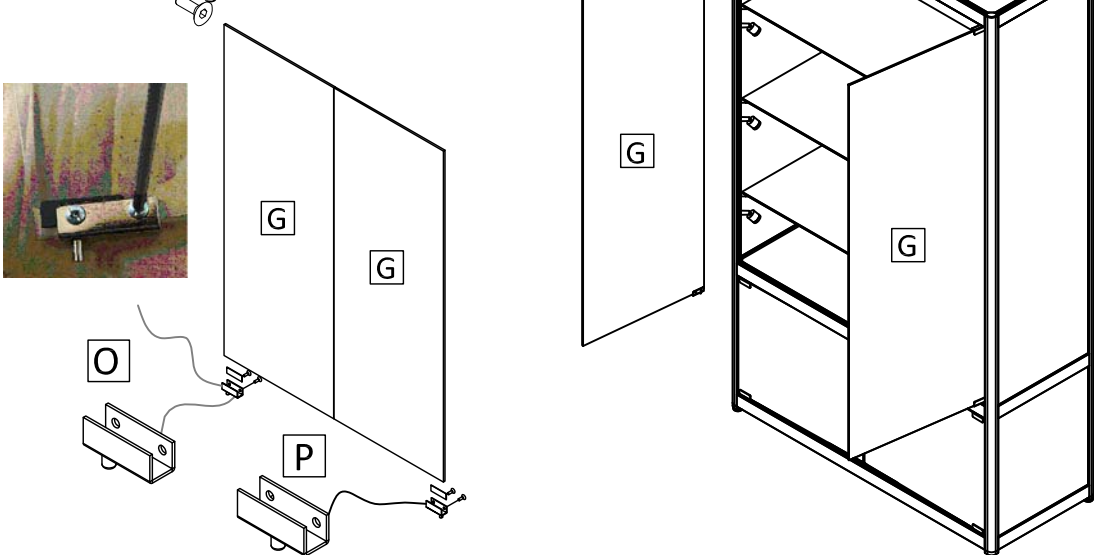
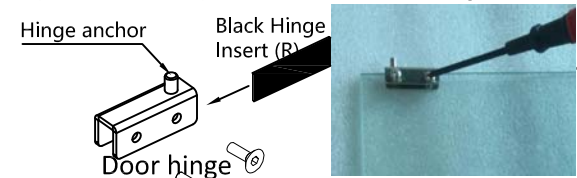
**Step 9:**  
Locate 2 Right Door Hinges (P) and place a Black Hinge Insert (R) inside each one as shown. Place these on the top and bottom corners of one of the Wood Door Panels (H) and tighten the screws to form the right door. Place the anchor of the Door Hinge on the bottom of the door into the Hinge Plug (N) that has previously been fit into the bottom right corner of the cabinet. The anchor of the Door Hinge on the top of the door then needs to slot into the Hinge Plug at the top of the wooden section.  
Tip: The top Door Hinge screws can be loosened a little to allow the anchor to go into the Hinge Plug, and the Wooden Door can be eased into the correct position. Once in place, make sure the screws on the Door Hinges are all tightened. Repeat these steps for the left door using the Left Door Hinges (O).



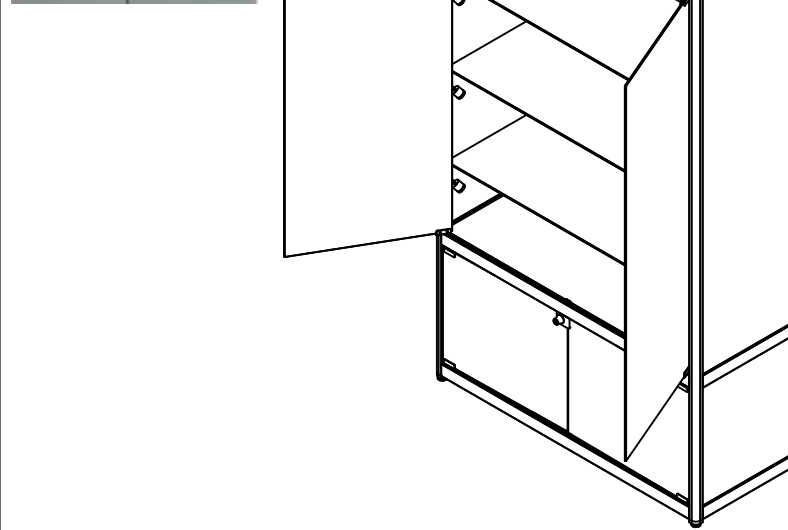
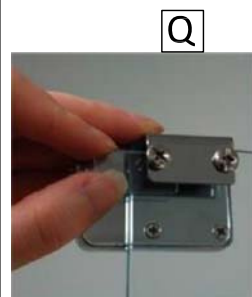
**Step 10:**  
Open the Wooden Doors and place one of the Locks (Q) over the top corner of the left door as shown. Ensure the black plastic insert is in place between the glass and the screws. Tighten the screws when in place.



**Step 11:**  
Place a Black Hinge Insert (R) inside each remaining Door Hinge (O & P). Place a Right Door Hinge (P) onto the top and bottom corners of one of the Glass Door Panels (G) and tighten the screws to form the right door. Place the anchor of the Door Hinge on the bottom of the door into the Hinge Plug (N) that has previously been fit into the bottom right corner of this section of the cabinet. The anchor of the Door Hinge on the top of the door then needs to slot into the Hinge Plug at the top.  
Tip: The top Door Hinge screws can be loosened a little to allow the anchor to go into the Hinge Plug, and the Wooden Door can be eased into the correct position. Once in place, make sure the screws on the Door Hinges are all tightened. Repeat these steps for the left door using the Left Door Hinges (O).



**Step 12:**  
Open the Glass doors and place a Lock (Q) over the top corner of the left door as shown. Ensure the black plastic insert is in place between the glass and the screws. Tighten the screws when in place.



**Step 13:**  
To secure both Side Glass Panels (E) insert the Rubber Seal (Y) into the channels where the glass meets the aluminium frame. You can use our Glass Display Cleaner (item code AG01) or another gentle glass cleaner as a lubricant to help ease the Rubber Seal into these channels.

