

NOTE
DIMENSIONS IN [] ARE
INCH EQUIVALENTS.

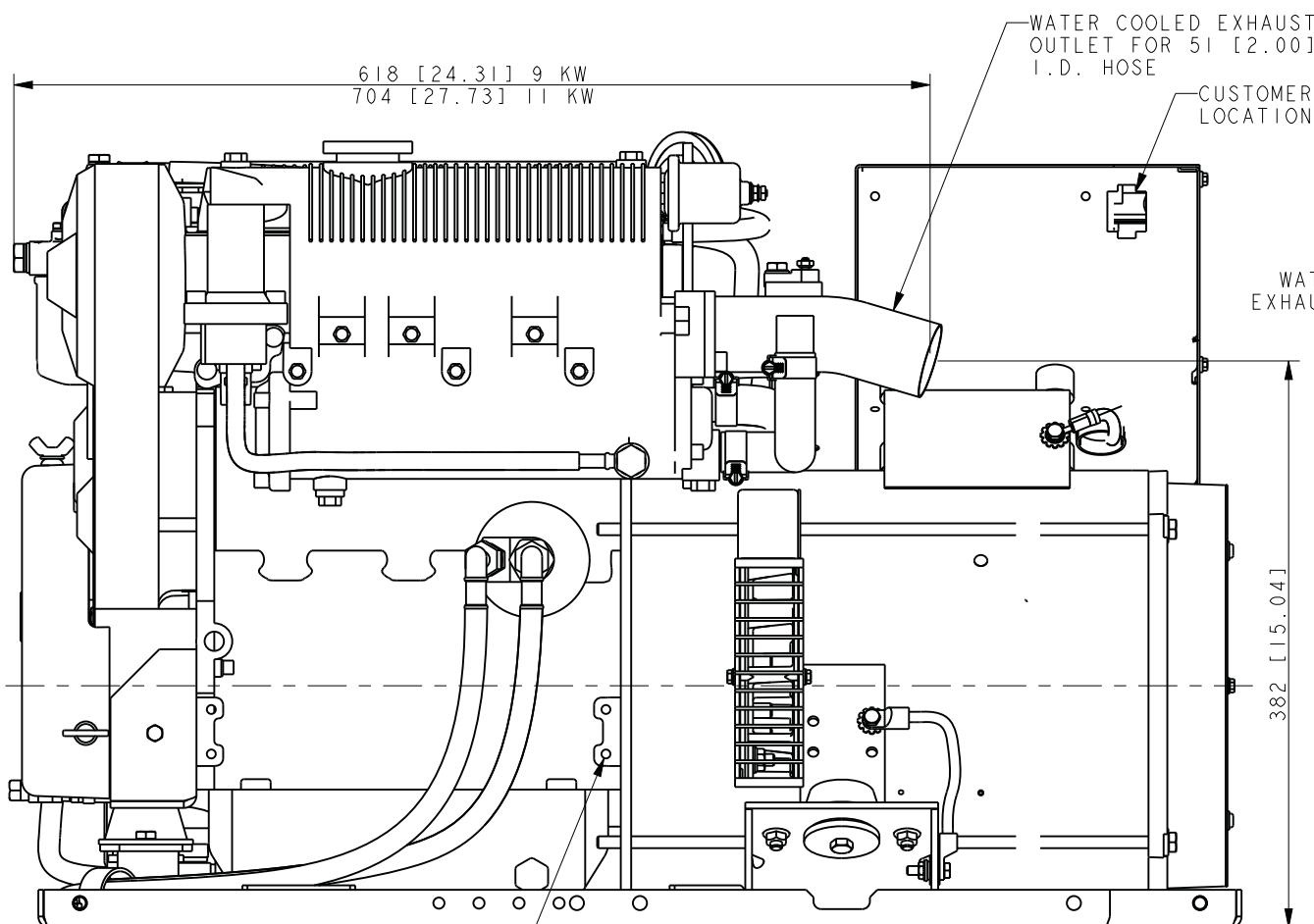
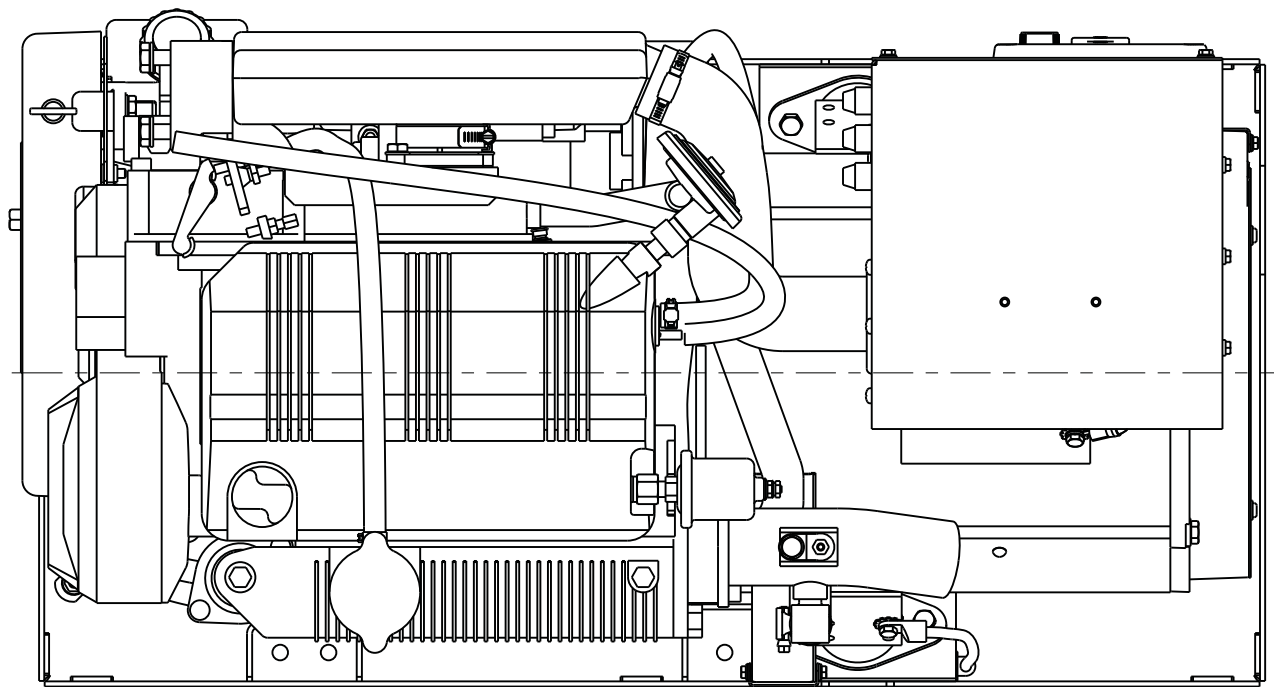
9-11 KW
KOHLER DIESEL

REV	DATE	ON COMPOSITE DWGS. SEE PART NO. FOR REVISION LEVEL	BY	UNLESS OTHERWISE SPECIFIED - 1) DIMENSIONS ARE IN MILLIMETERS 2) TOLERANCES ARE:
-	9-27-10	NEW DRAWING [90488]	DDH	X.XX ± X.X ± X ° ±
A	7-19-11	OIL FILTER, FUEL FILTER & COOLANT OVERFLOW BOTTLE RELOCATED & DIMENSIONS UPDATED; (C-3) 448 [17.65] DIM. ADDED [91292]	DDH	SURFACE FINISH MAX.
B	5-20-19	(A-4,1) KOHLER DIESEL WAS LOMBARDINI [CT110915]	SAM	THIRD ANGLE PROJECTION
				APPROVALS
				DATE
				DRAWN DDH 9-27-10
				CHECKED DDH 9-27-10
				APPROVED BMZ 9-27-10

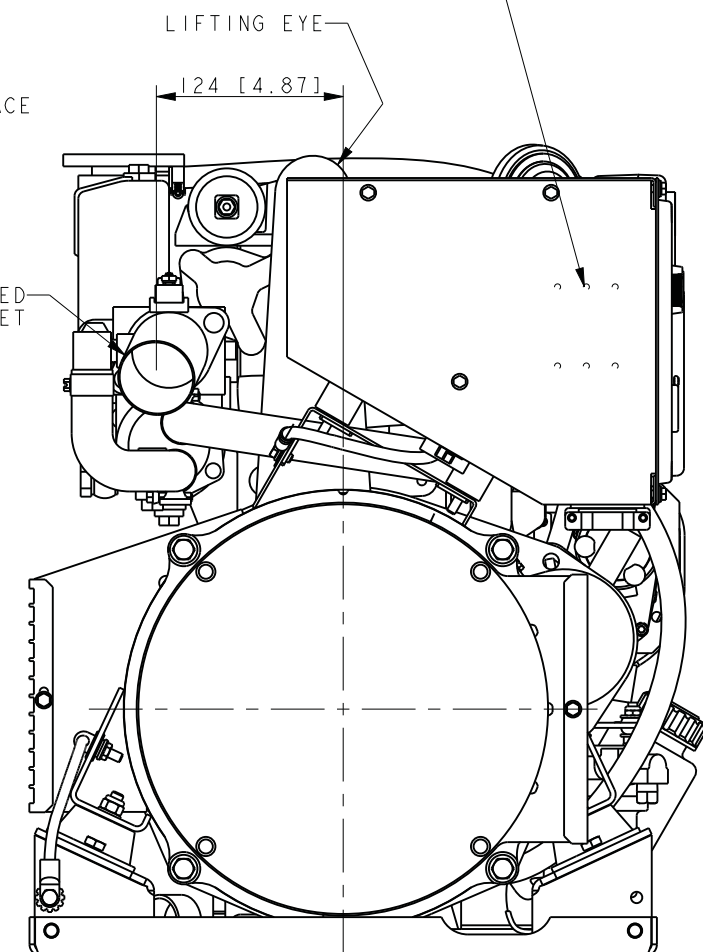
KOHLER CO. METRIC PRO-E
POWER SYSTEMS, KOHLER, WI 53044 U.S.A.
THIS DRAWING IN DESIGN AND DETAIL IS KOHLER CO. PROPERTY AND MUST NOT BE USED EXCEPT IN CONNECTION WITH KOHLER CO. WORK. ALL RIGHTS OF DESIGN OR INVENTION ARE RESERVED.

TITLE
DIMENSION PRINT, 9-11 KW KOHLER DIESEL

SCALE 0.40 CAD NO. SHEET 1 of 2
DWG NO. **ADV-7942**



OPTIONAL CIRCUIT BREAKER LOCATION
(OPPOSITE SIDE OF JUNCTION BOX)



REV	DATE	ON COMPOSITE DWGS. SEE PART NO. FOR REVISION LEVEL	BY	UNLESS OTHERWISE SPECIFIED - 1) DIMENSIONS ARE IN MILLIMETERS 2) TOLERANCES ARE:
-	9-27-10	NEW DRAWING [90488]	DDH	X.XX ±
A	7-19-11	OIL FILTER, FUEL FILTER & COOLANT OVERFLOW BOTTLE RELOCATED & DIMENSIONS UPDATED [91292]	DDH	X.X ±
B	5-20-15	SEE SHEET 1 [CT110915]	SAM	X ° ±
				ANGLES ±
				THIRD ANGLE PROJECTION
				APPROVALS
				DATE
				DRAWN DDH 9-27-10
				CHECKED DDH 9-27-10
				APPROVED BMZ 9-27-10

KOHLER CO. METRIC PRO-E
POWER SYSTEMS, KOHLER, WI 53044 U.S.A.
THIS DRAWING IN DESIGN AND DETAIL IS KOHLER CO.
PROPERTY AND MUST NOT BE USED EXCEPT IN
CONNECTION WITH KOHLER CO. WORK. ALL RIGHTS OF
DESIGN OR INVENTION ARE RESERVED.

TITLE
DIMENSION PRINT, 9-11 KW KOHLER DIESEL

SCALE 0.40 CAD NO. SHEET 2 of 2
DWG NO. **ADV-7942** D