

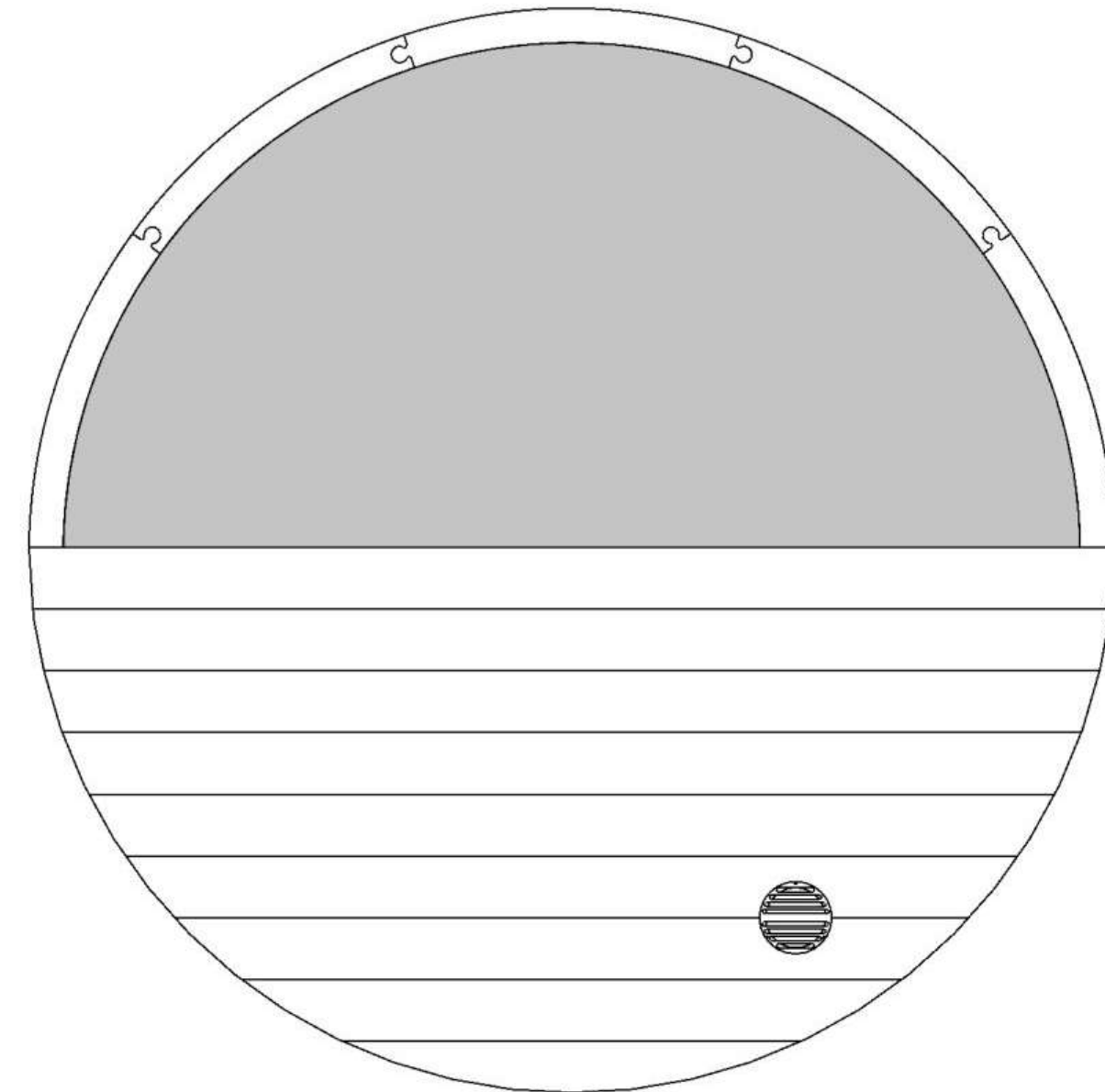
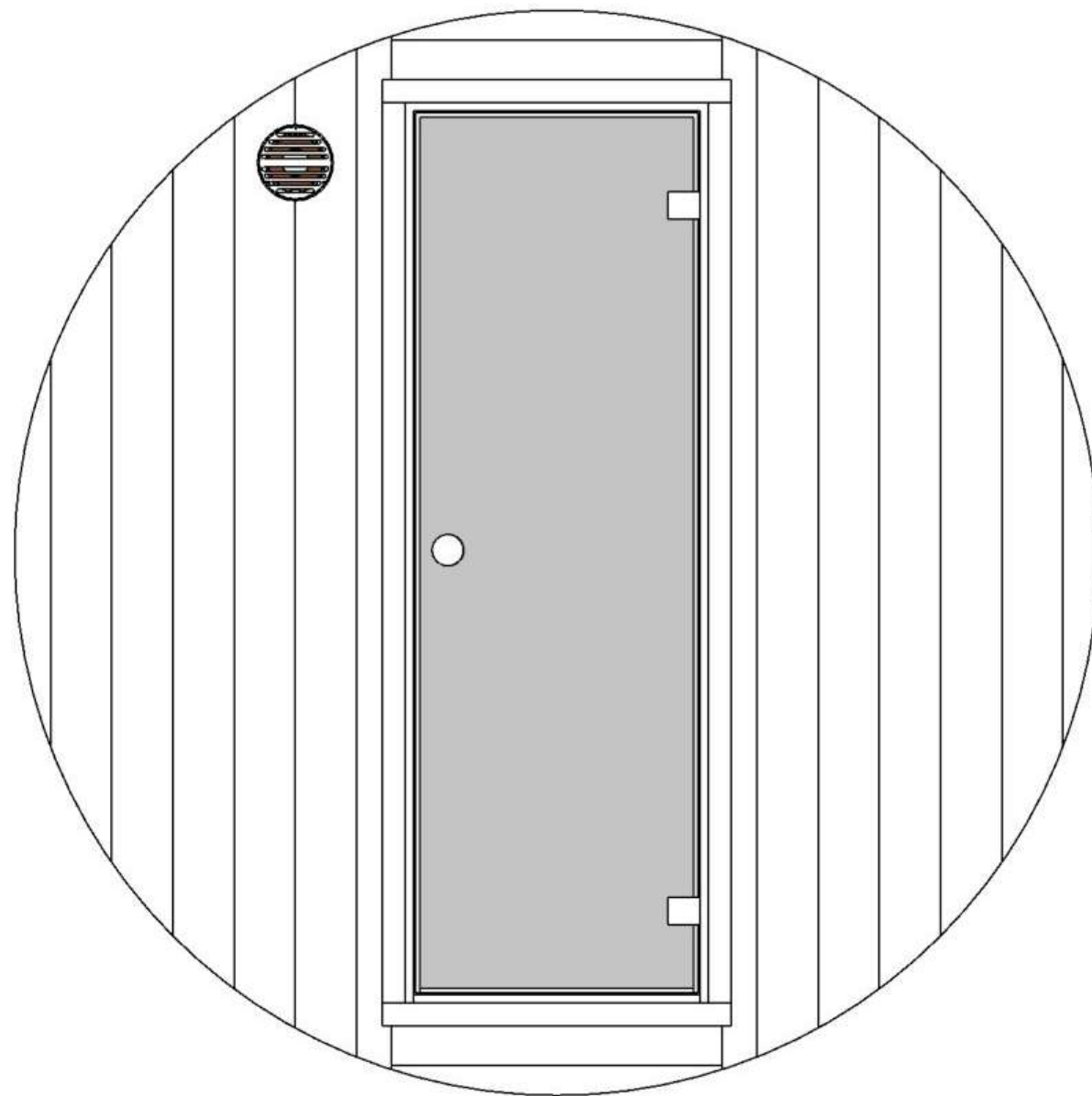


# VISTA WITH WINDOW 4-PERSON BARREL SAUNA

## OWNER'S MANUAL

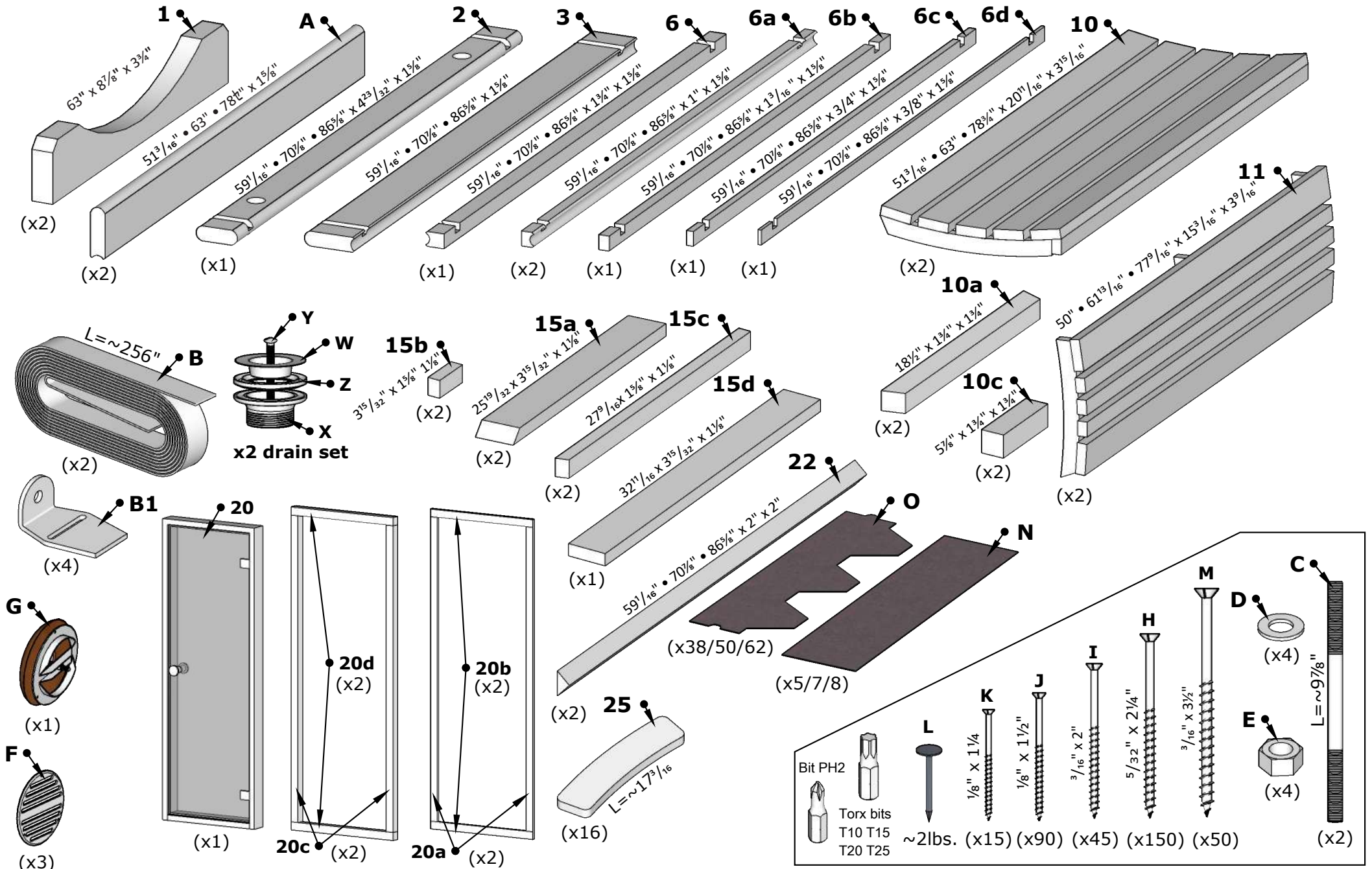
**WARNING!** Do not place anything combustible close to heater, above the heater, and on both sides of the heater. This includes but not limited to towels, lights, robe hooks, accessories, etc. Nothing should be on the same wall as your heater that is combustible.

# Front & Back Walls

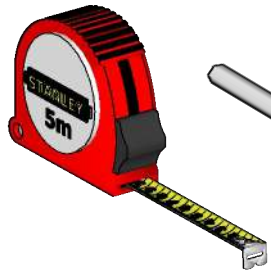


# VISTA WITH WINDOW Barrel Sauna 71D" x 81H"

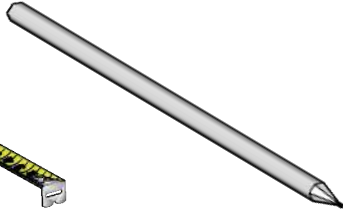
## Details list.



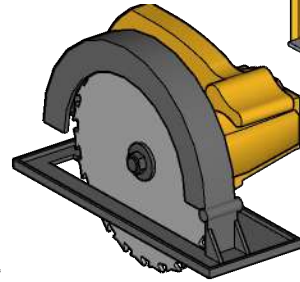
# Tools needed



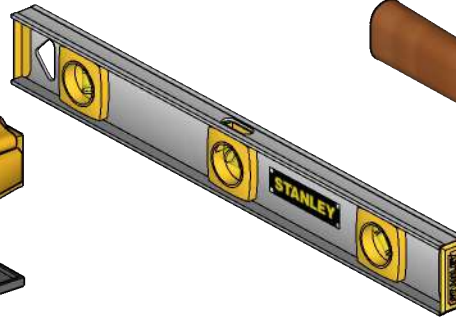
Measuring tape



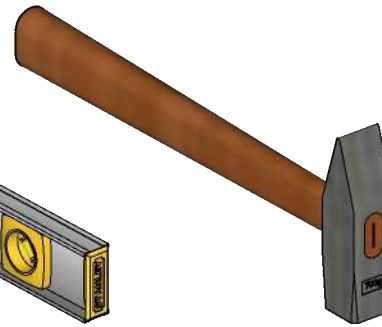
Marker pen



Circular saw



Water level



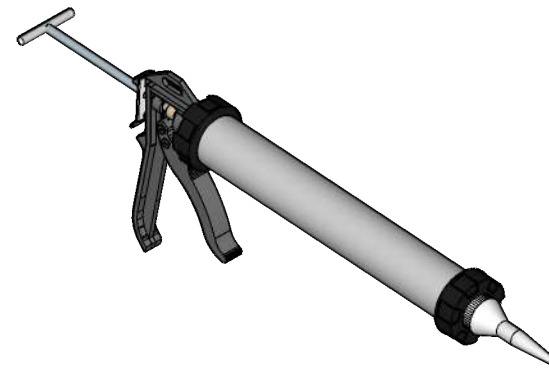
Hammer



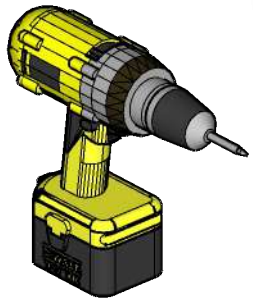
Extra hands



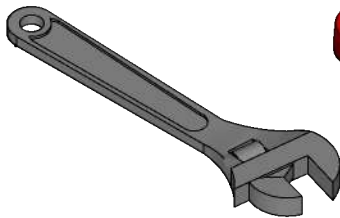
Ratchet strap



Silicone gun  
(Only glass-wall models)



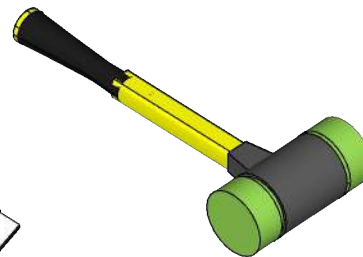
Drill



Crescent wrench

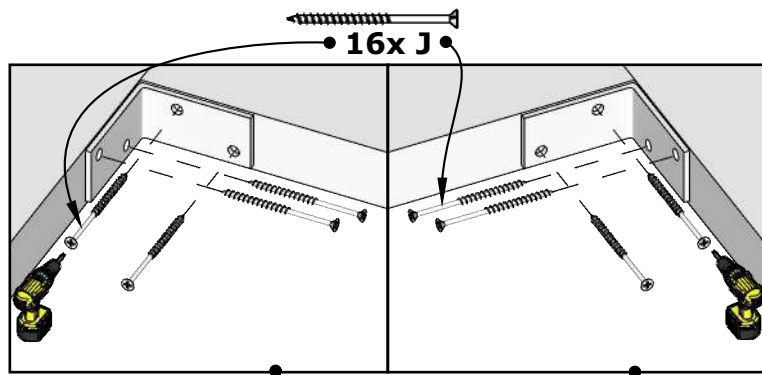
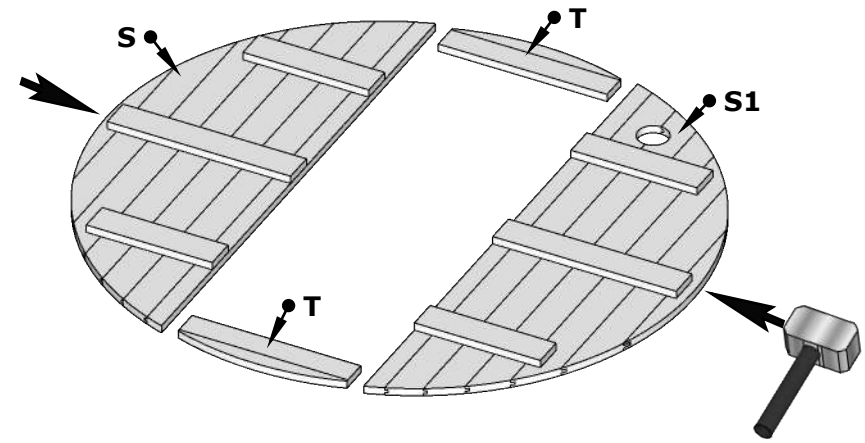
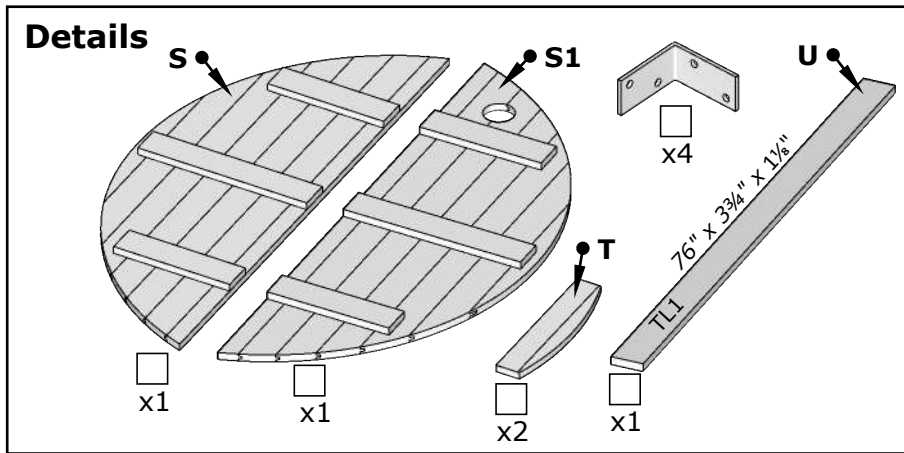


Utility knife

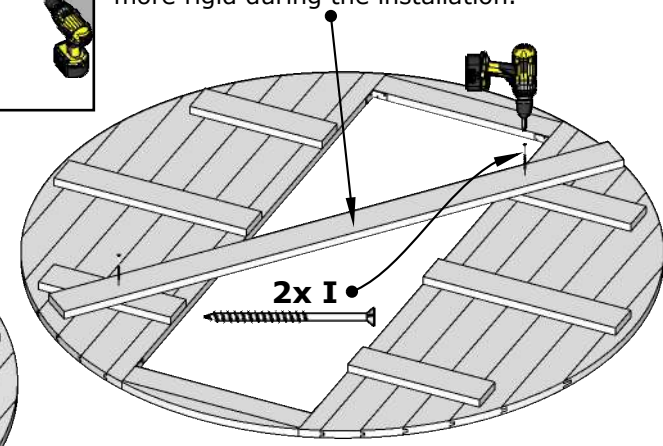


Rubber mallet

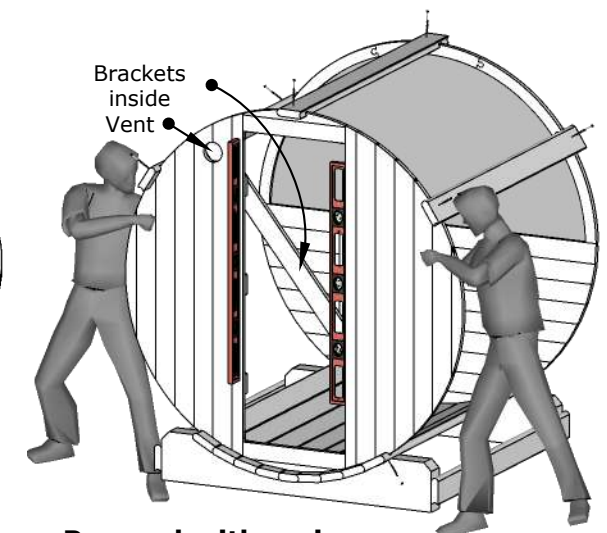
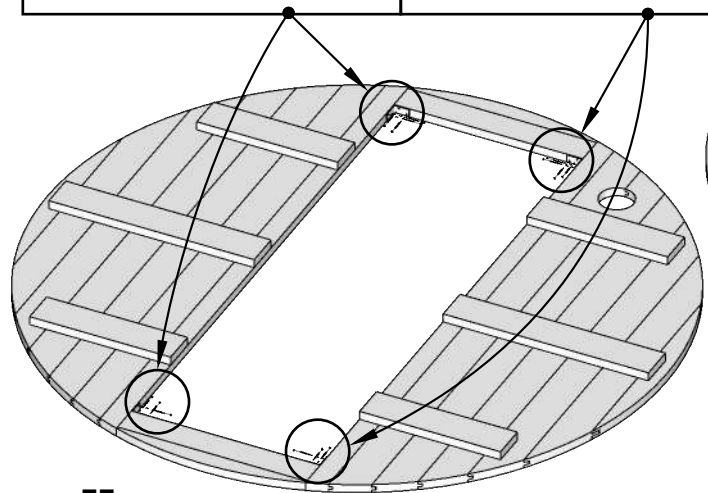
# Wooden front wall installation



**DET U** Fix it diagonally to make wall more rigid during the installation.

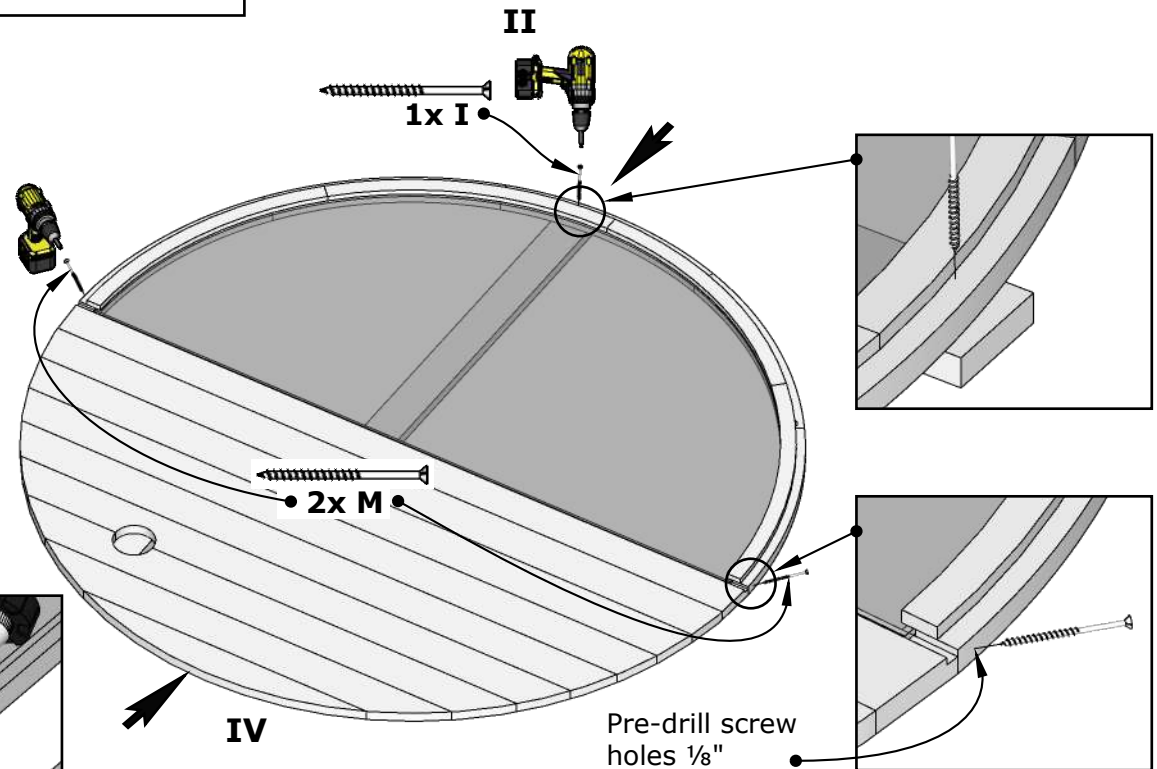
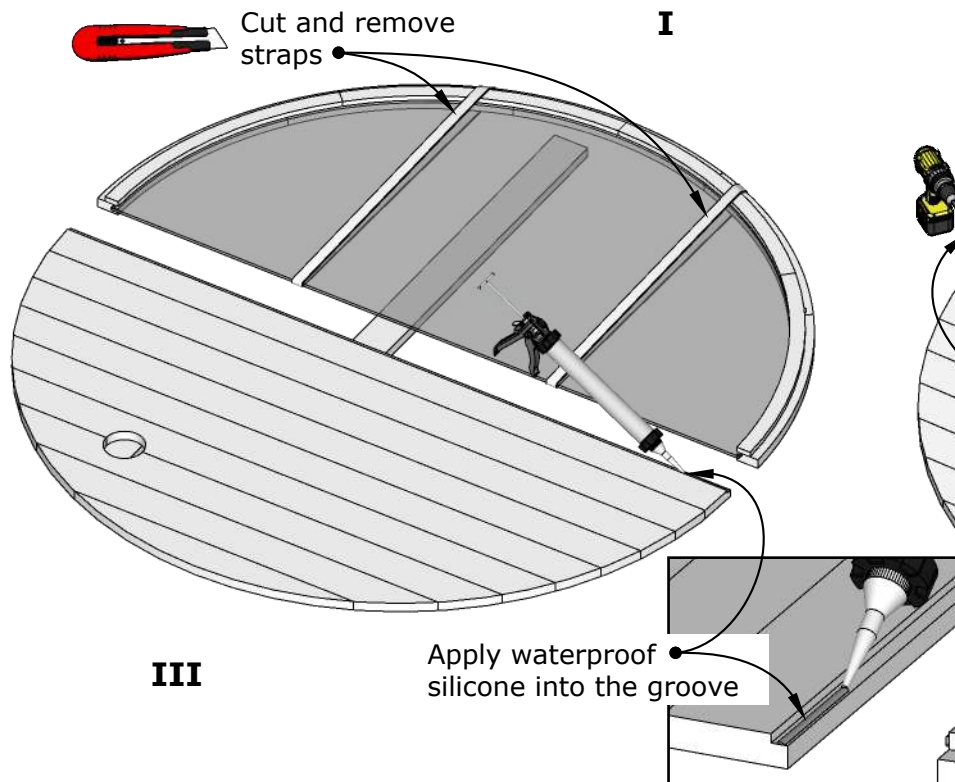
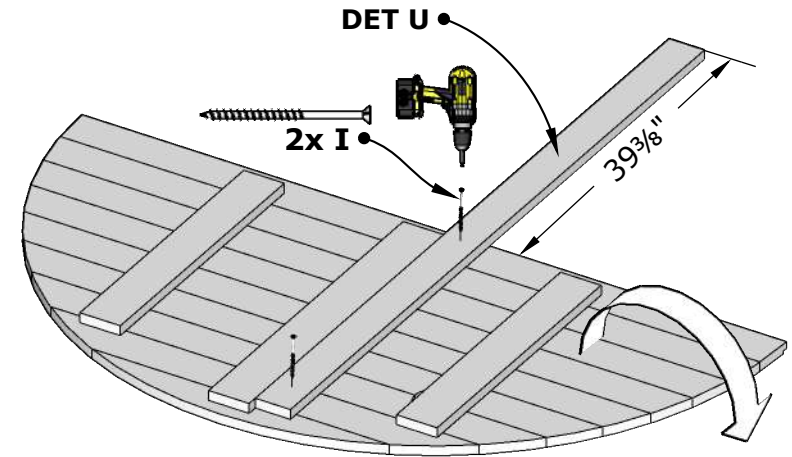
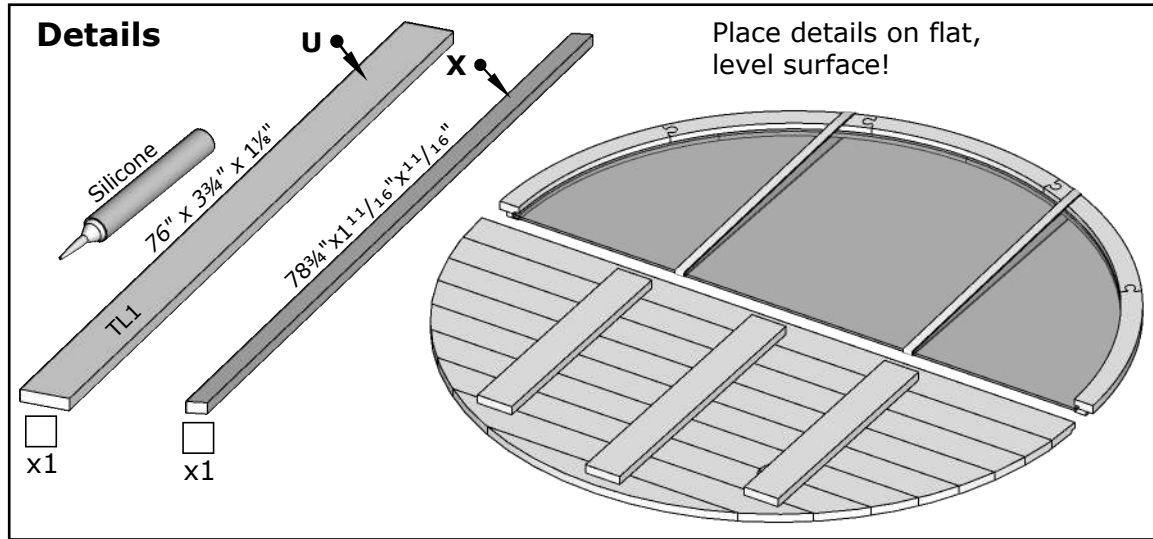


**III**



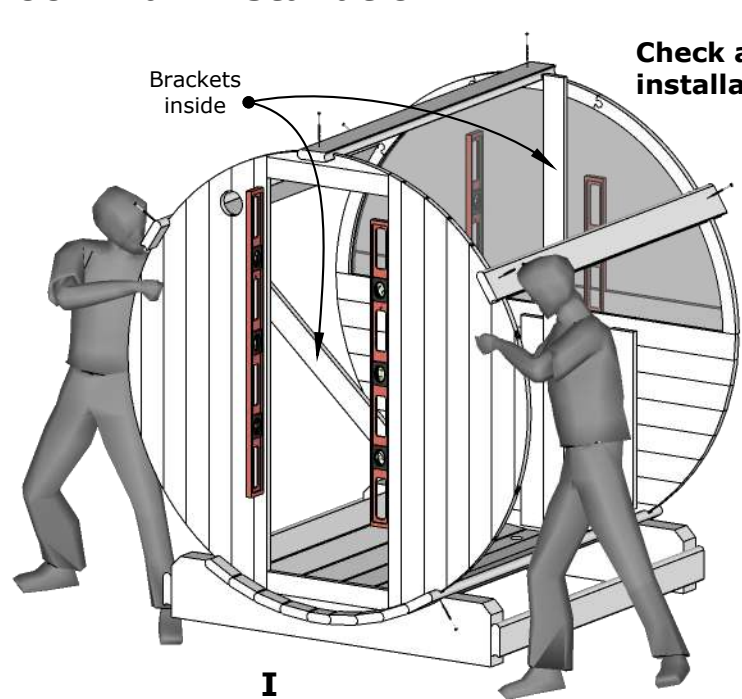
**Proceed with main installation manual!**

# Half-moon wall installation

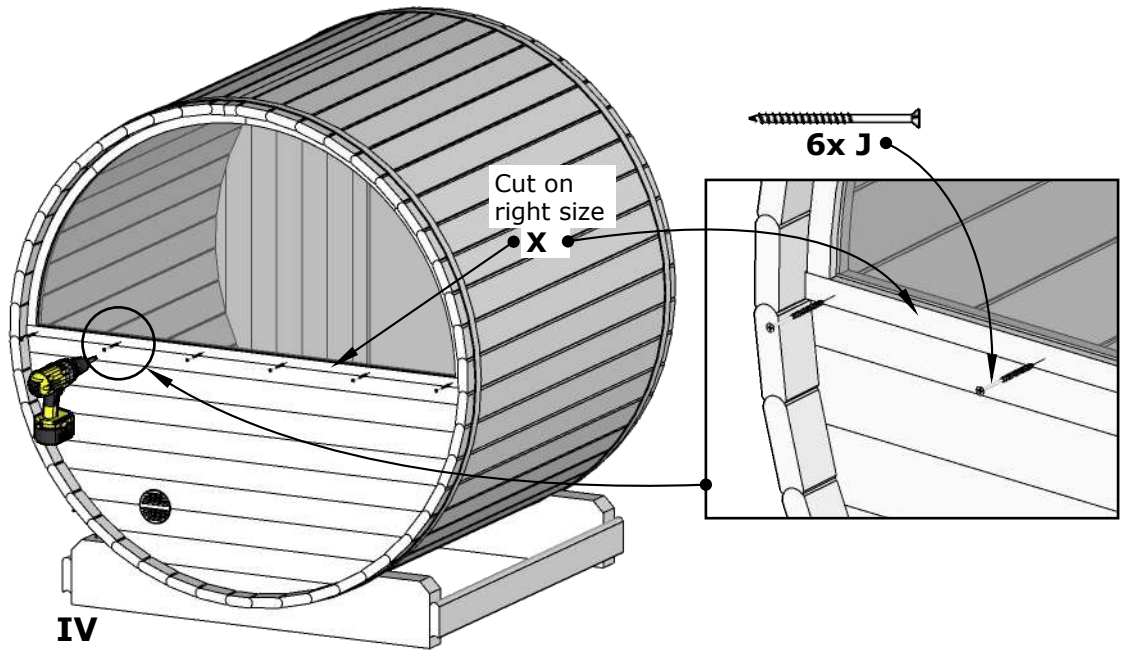
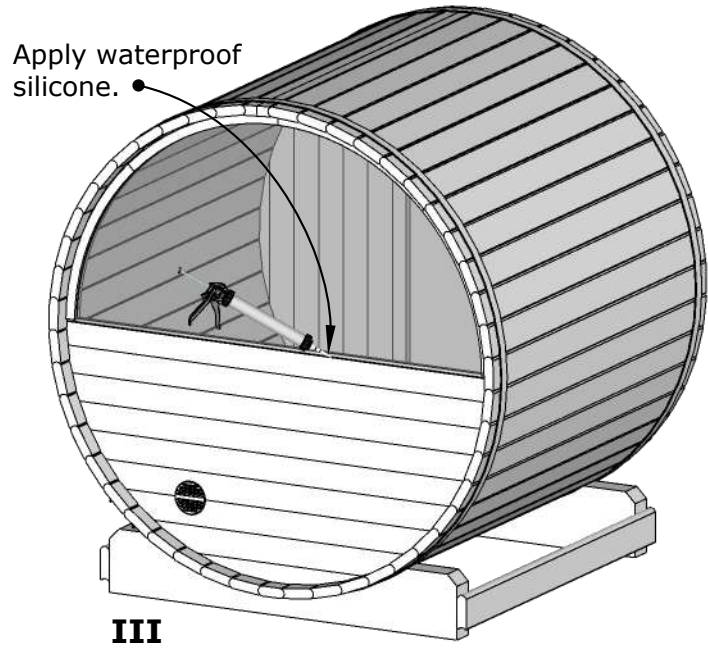
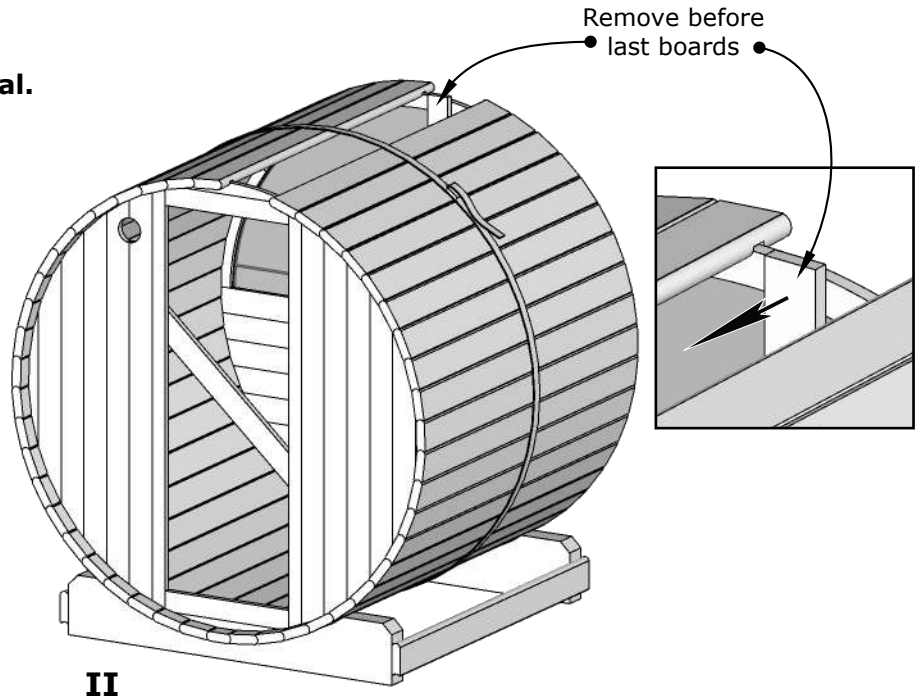


**WARNING:** Do not let screws touch glass!

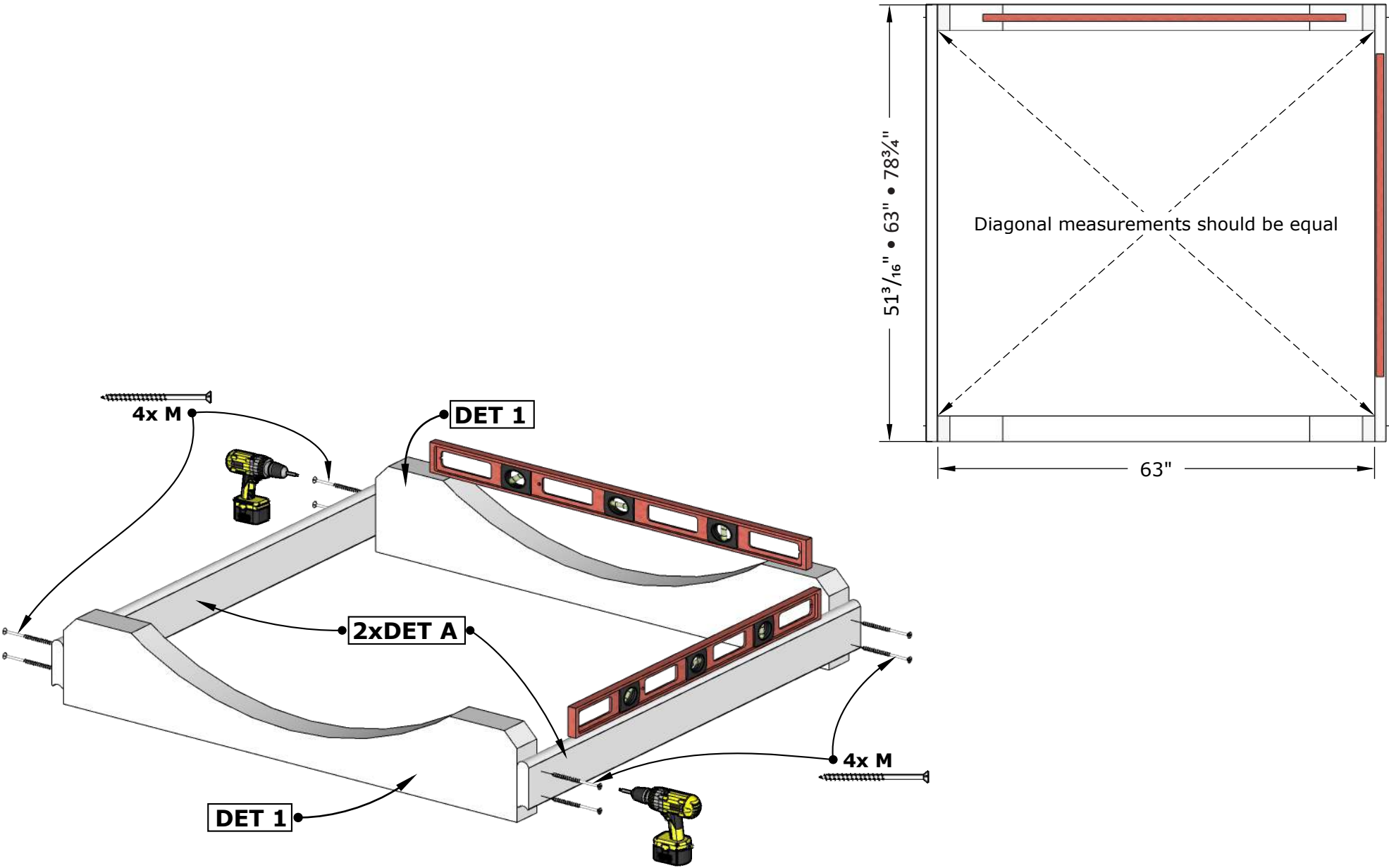
# Half-moon wall installation



Check also main installation manual.



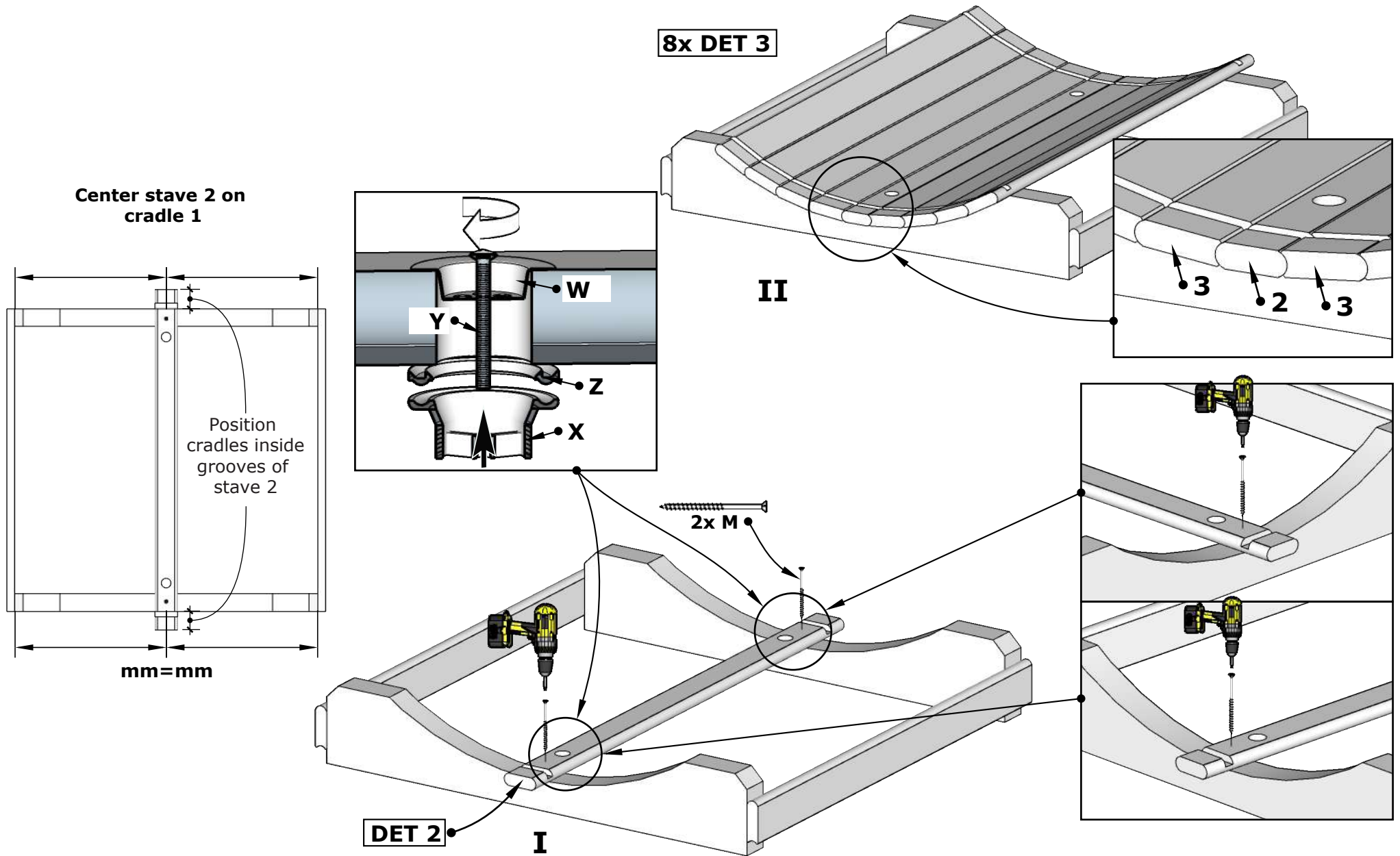
# VISTA WITH WINDOW Barrel Sauna 71D" x 81H"



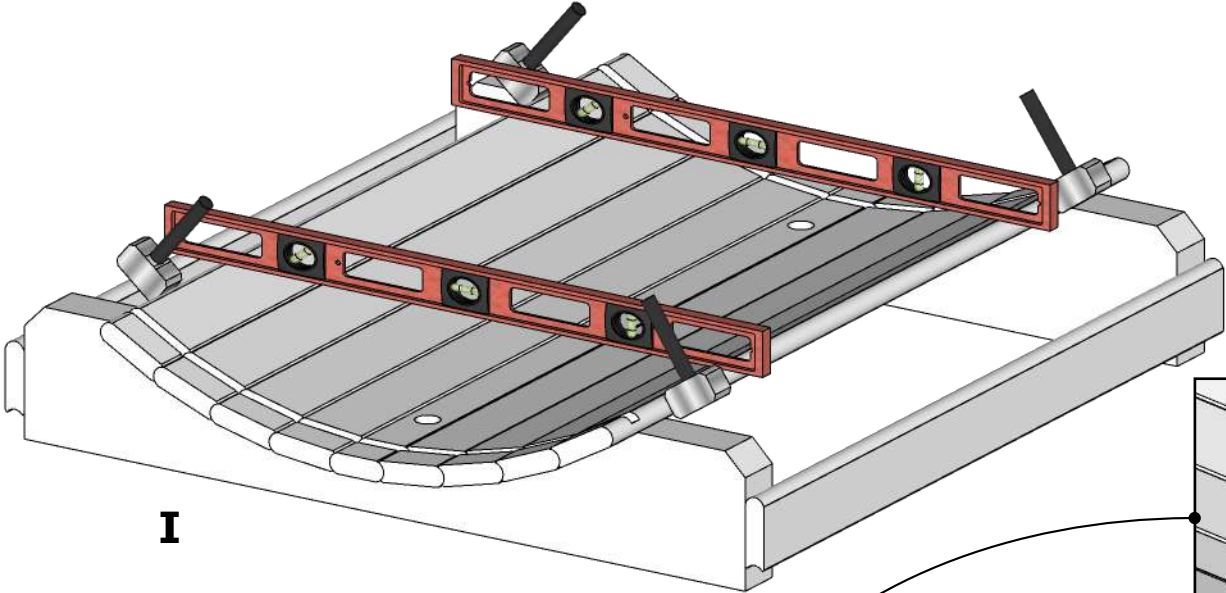
1.



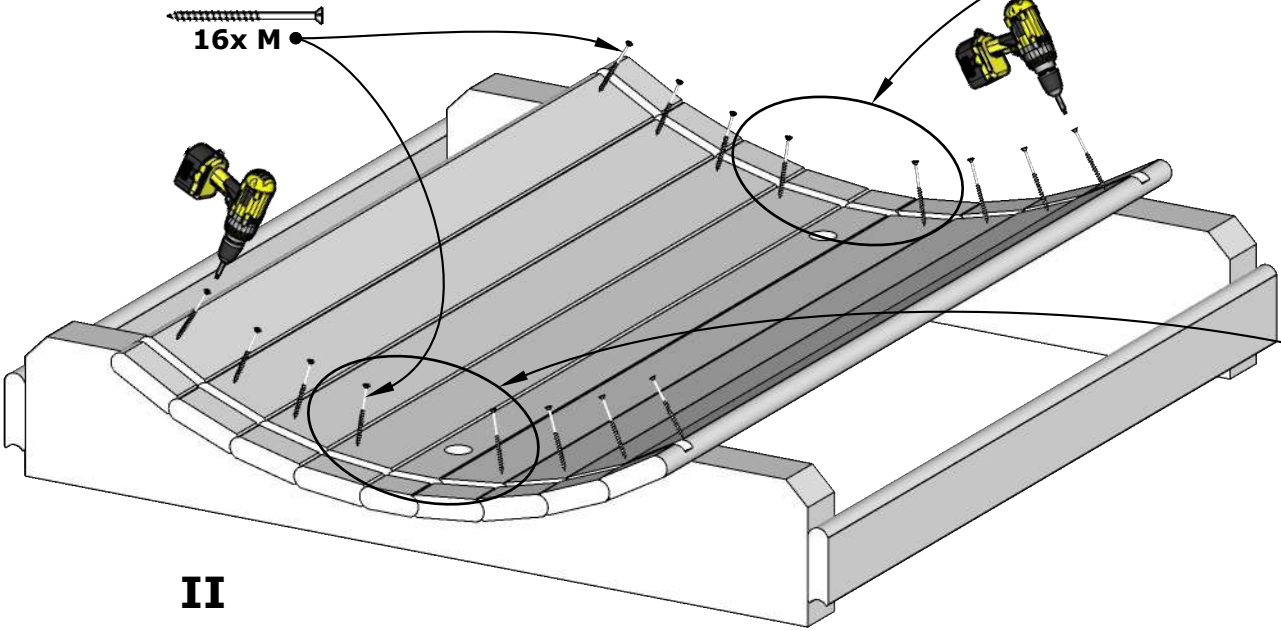
# VISTA WITH WINDOW Barrel Sauna 71D" x 81H"



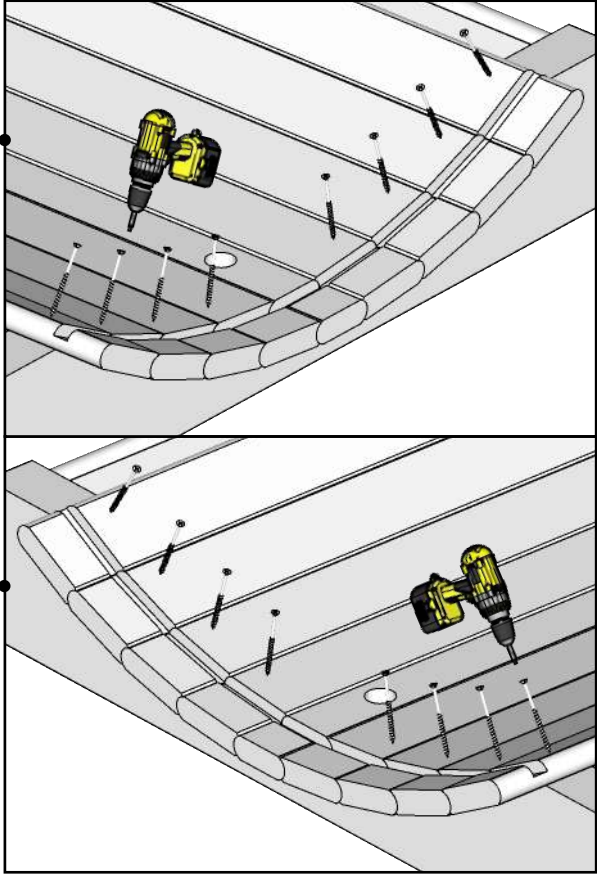
# VISTA WITH WINDOW Barrel Sauna 71D" x 81H"



I

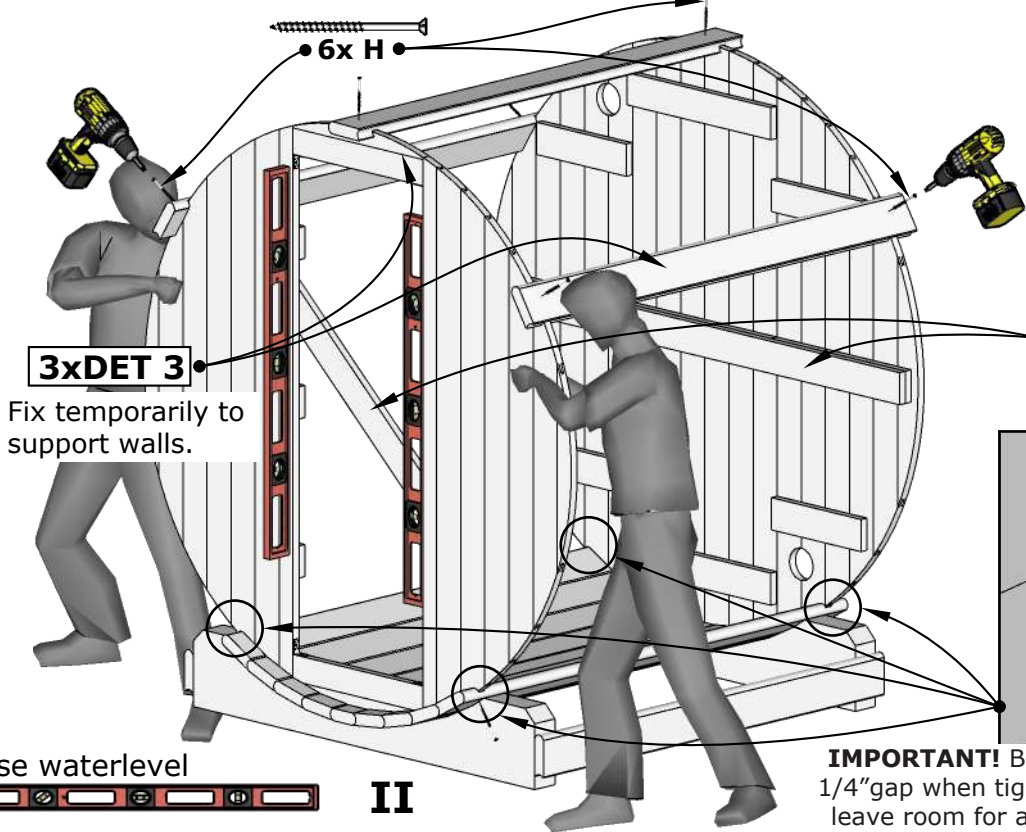
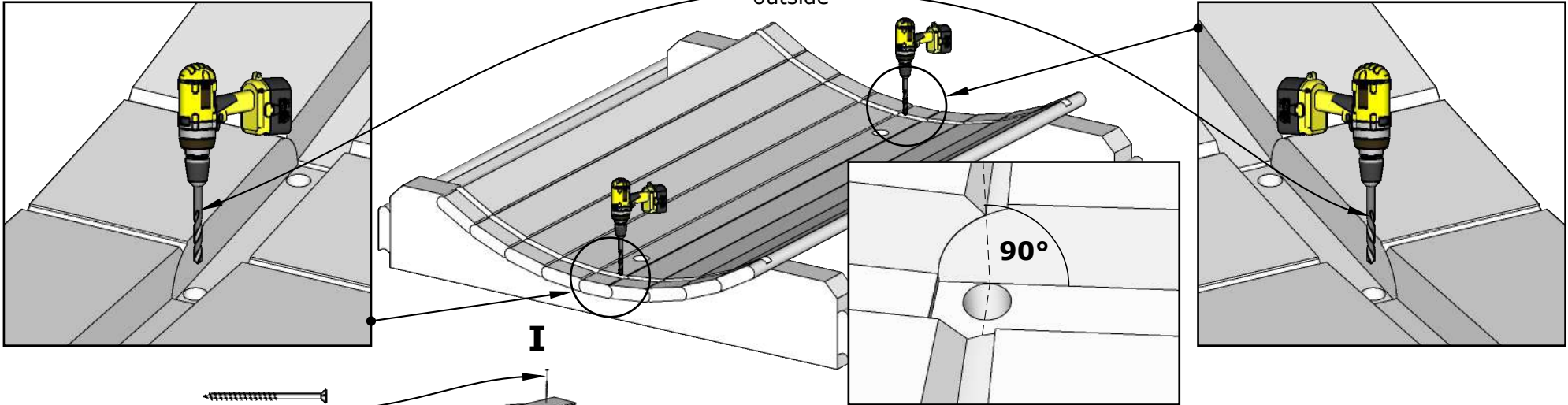


II



# VISTA WITH WINDOW Barrel Sauna 71D" x 81H"

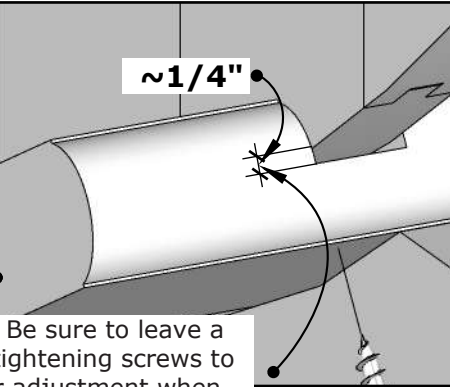
Drill 4 holes  $\varnothing 1/2"$   
through DET 2  
outside



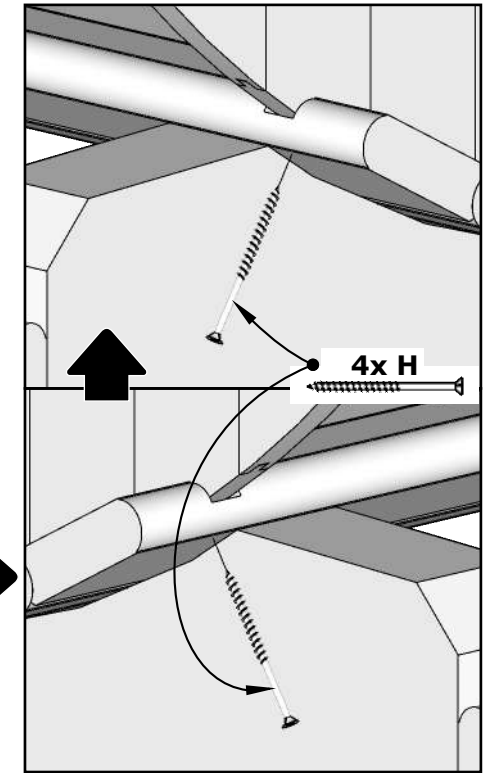
**3xDET 3**  
Fix temporarily to  
support walls.

**Check walls installation  
manual on extra pages!**

**Sauna wall configuration  
depends on Your model!**



**IMPORTANT!** Be sure to leave a  
 $1/4"$  gap when tightening screws to  
leave room for adjustment when  
the outer bands (B) are installed.

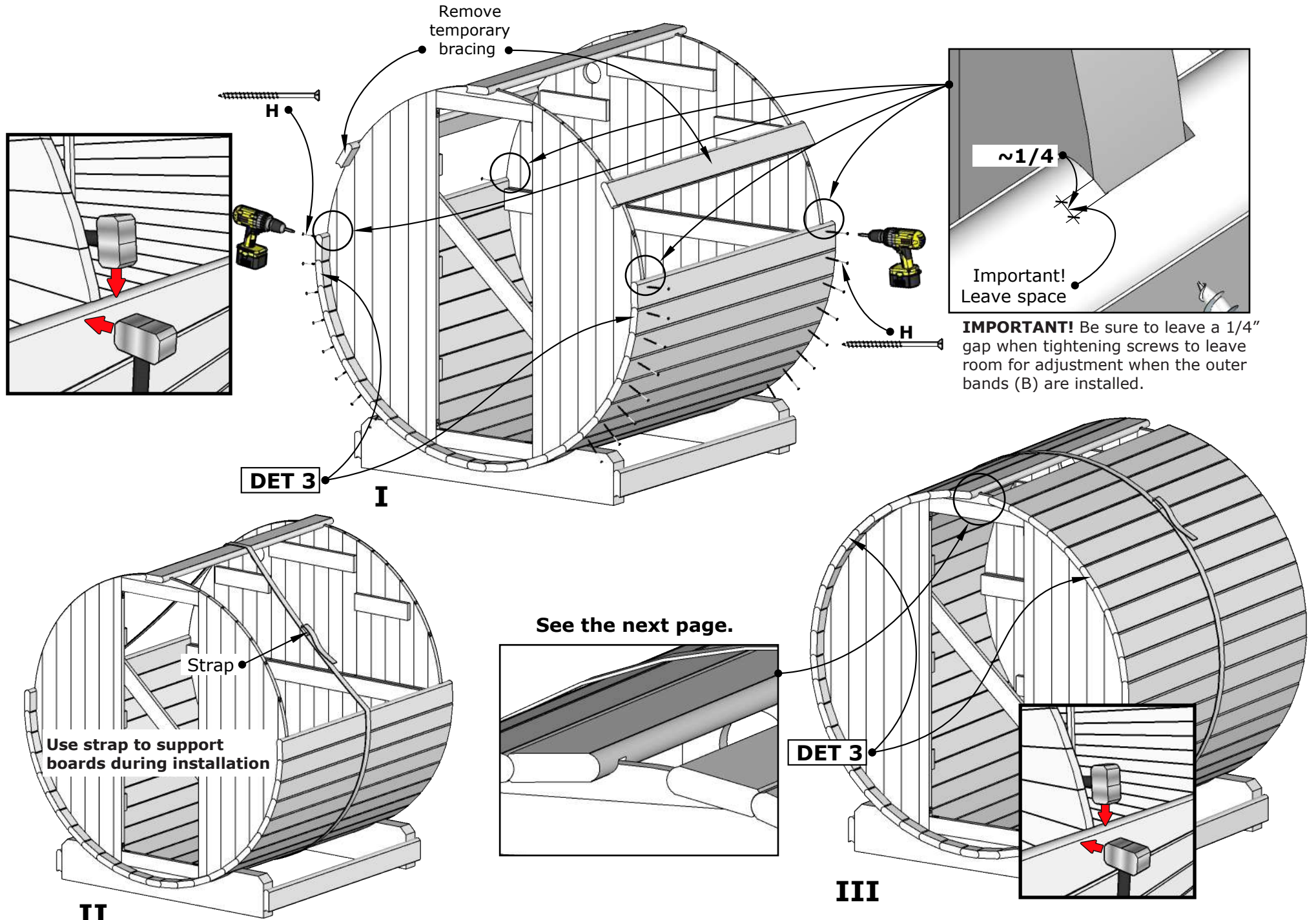


Use waterlevel



**II**

# VISTA WITH WINDOW Barrel Sauna 71D" x 81H"

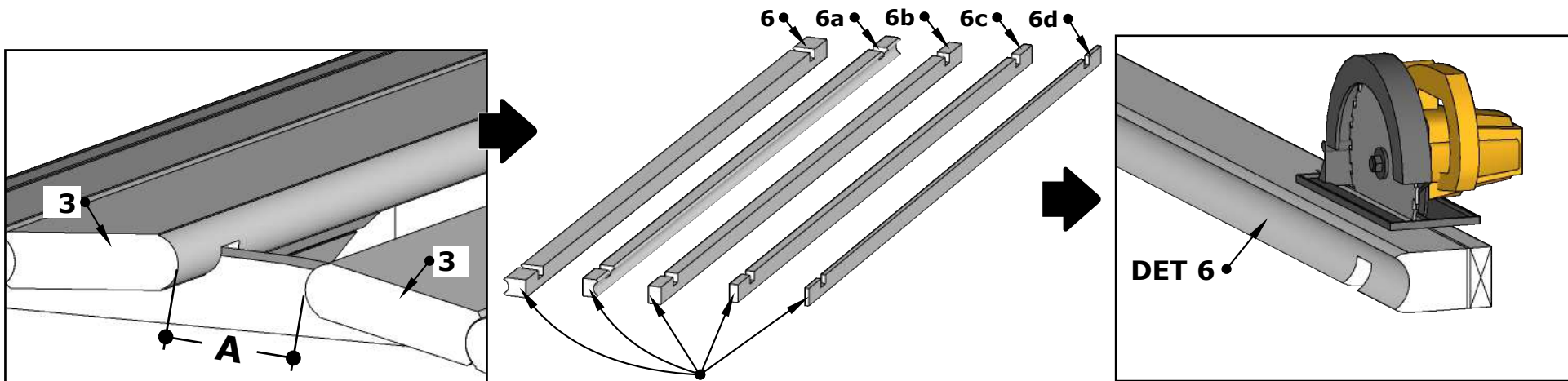


5.

II

III

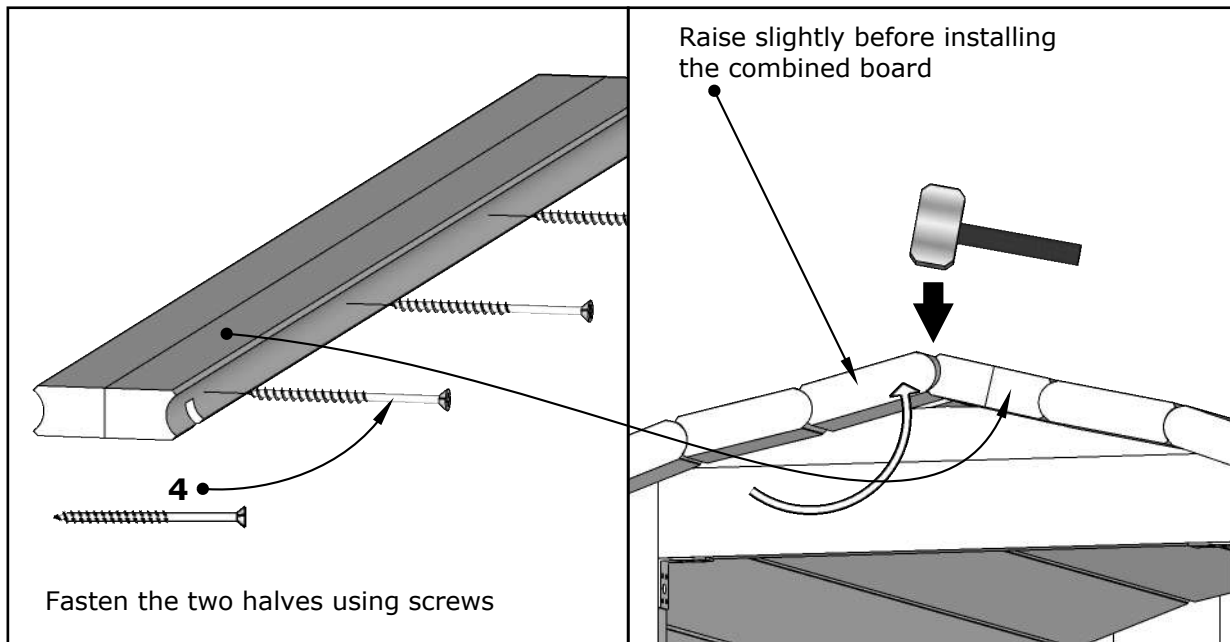
# VISTA WITH WINDOW Barrel Sauna 71D" x 81H"



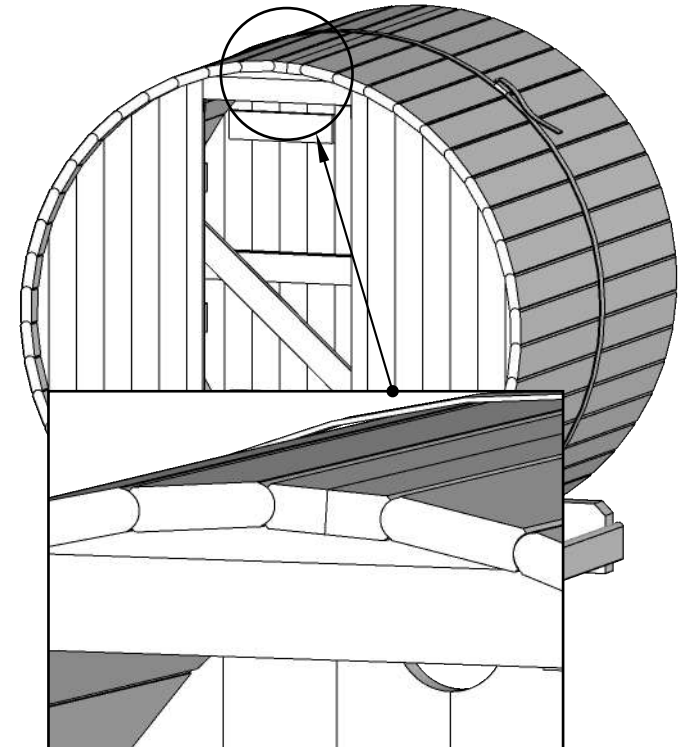
**I**

Join two boards together (as shown in diagram II) that will bridge the width of the "A" gap. It is recommended that the combined boards are approximately 1/4" wider than the gap.

If needed, trim the flat edge of the board to create the desired width.

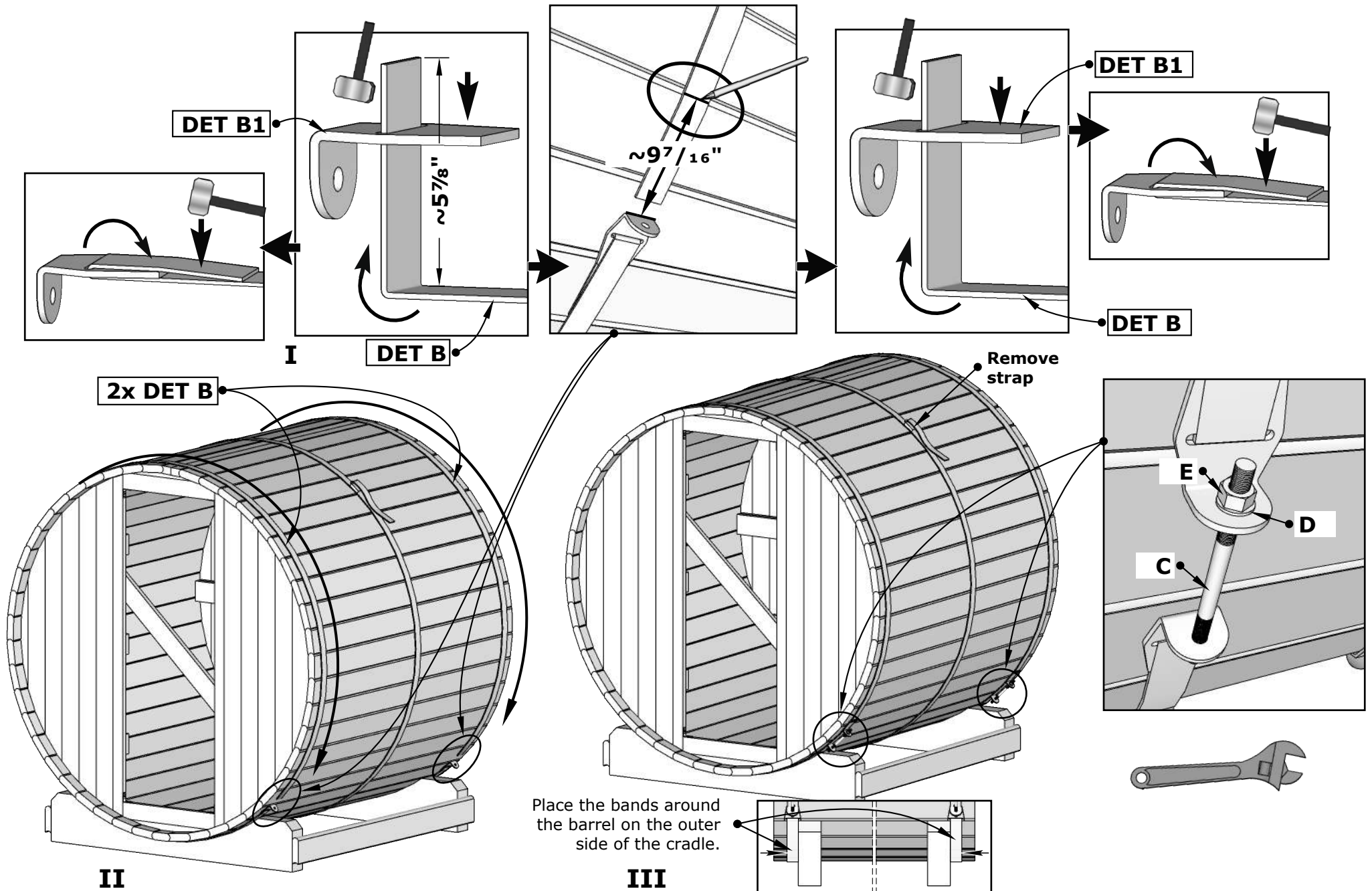


Fasten the two halves using screws



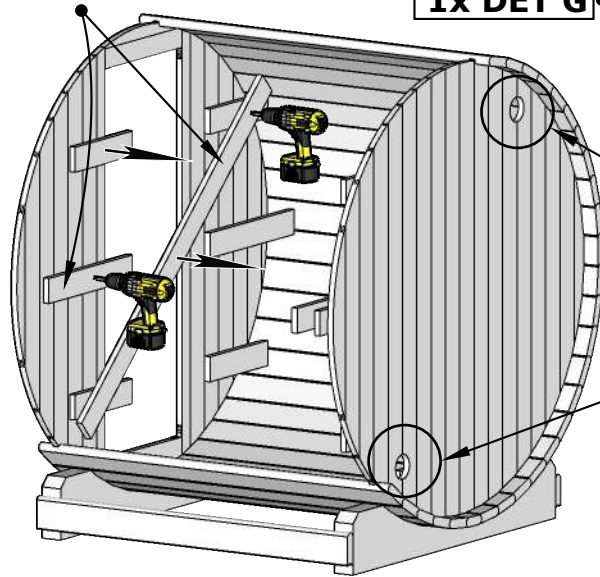
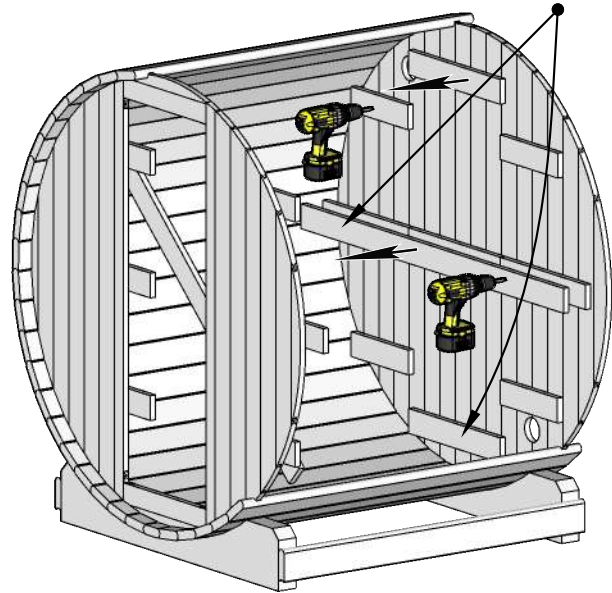
**III**

# VISTA WITH WINDOW Barrel Sauna 71D" x 81H"

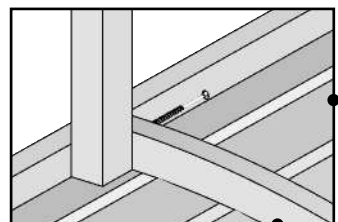
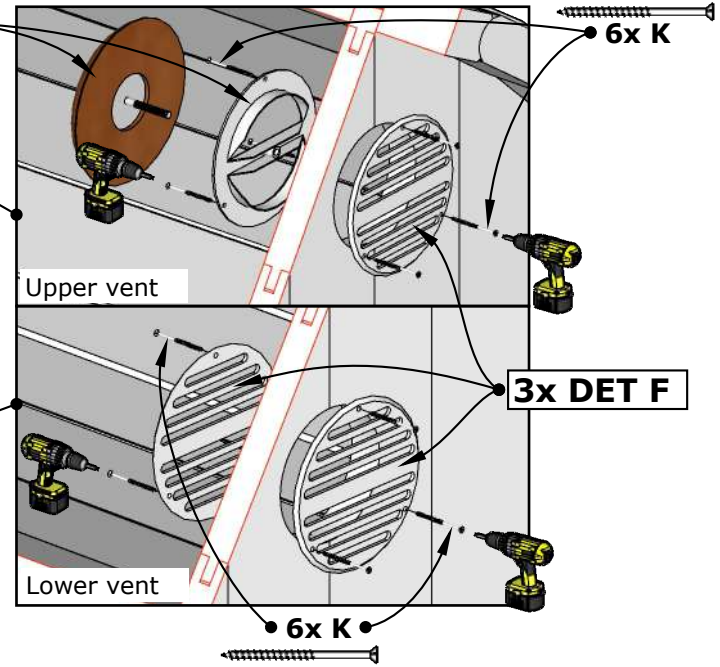


# VISTA WITH WINDOW Barrel Sauna 71D" x 81H"

Remove all temporary braces



1x DET G

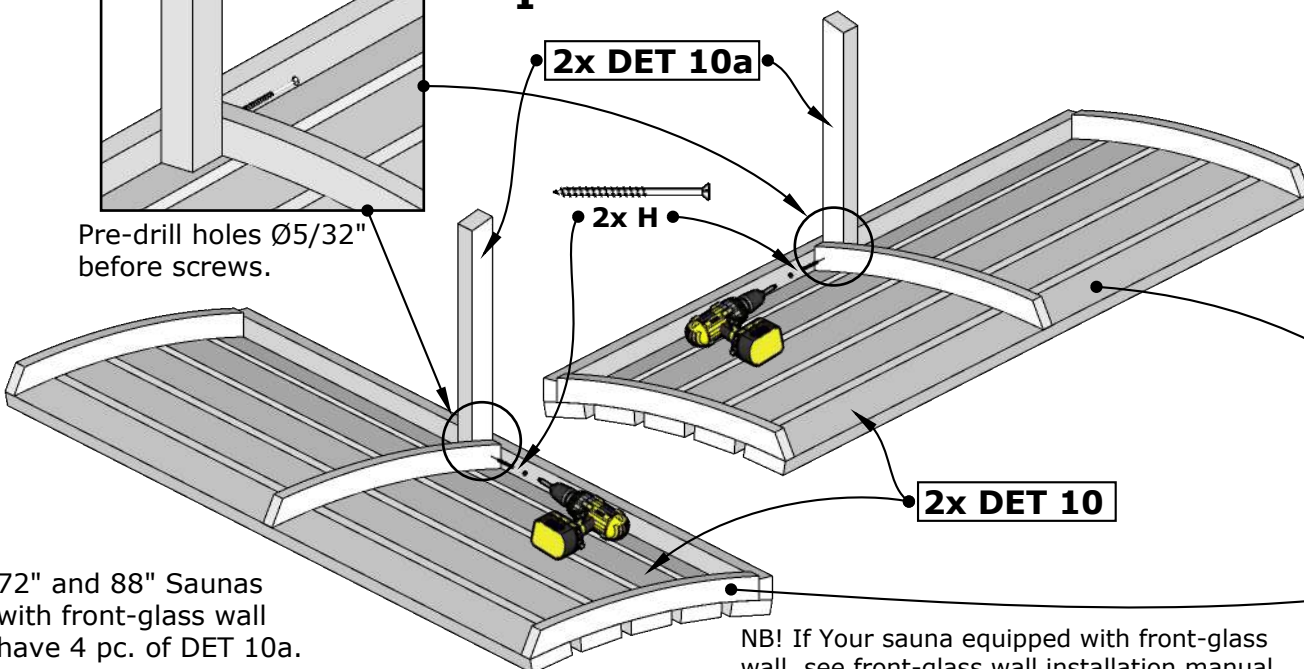


Pre-drill holes Ø5/32" before screws.

I

2x DET 10a

2x H

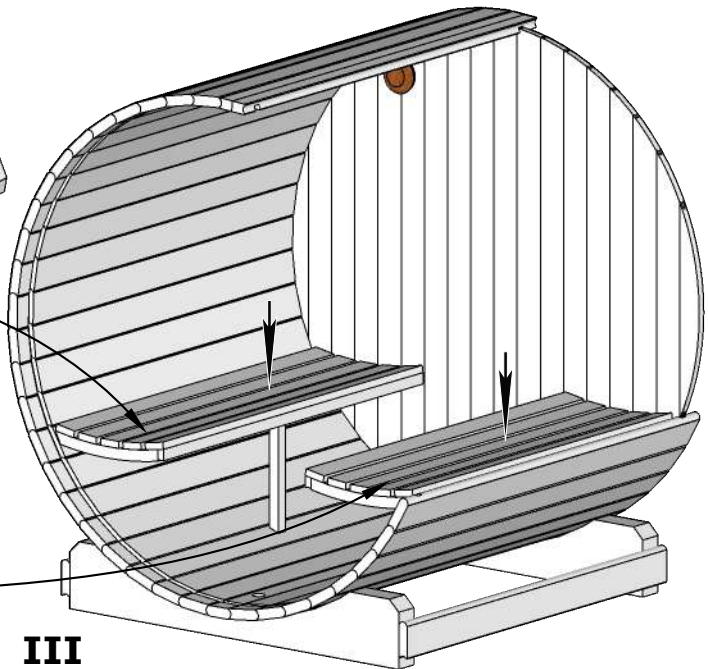


2x DET 10

72" and 88" Saunas with front-glass wall have 4 pc. of DET 10a.

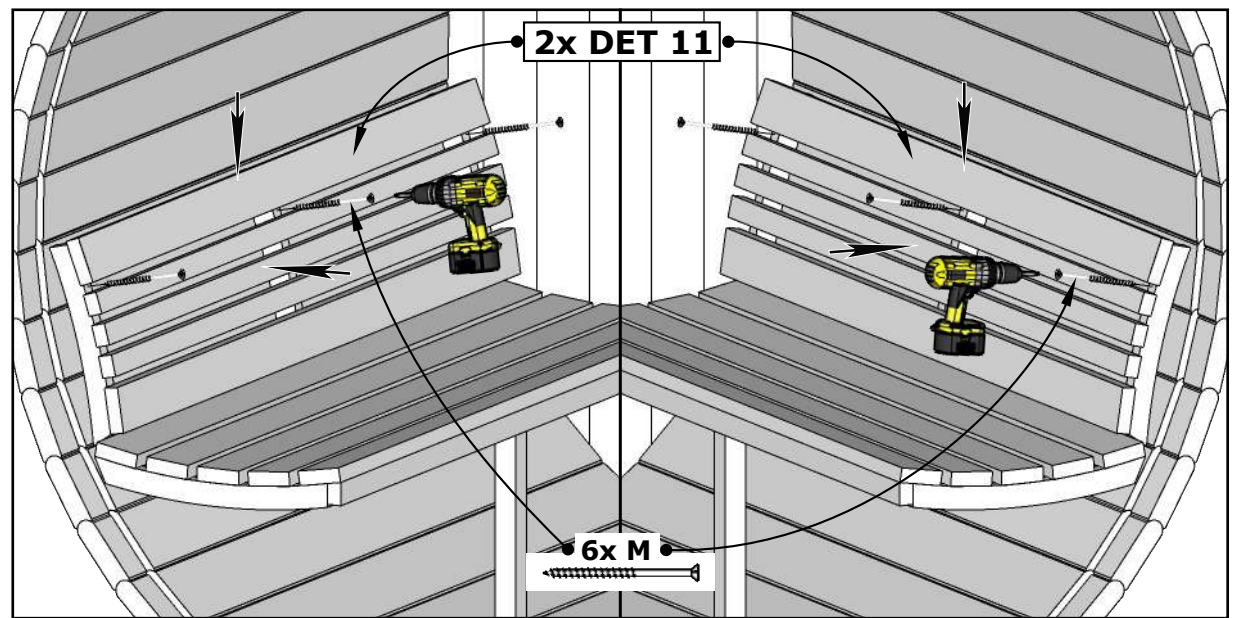
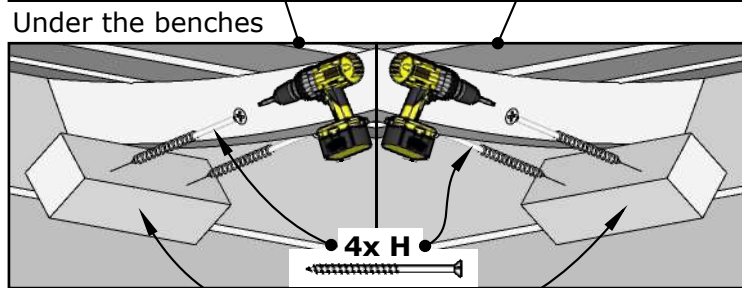
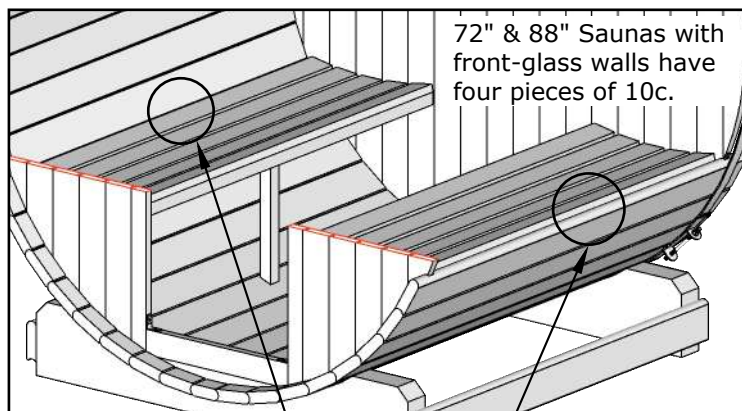
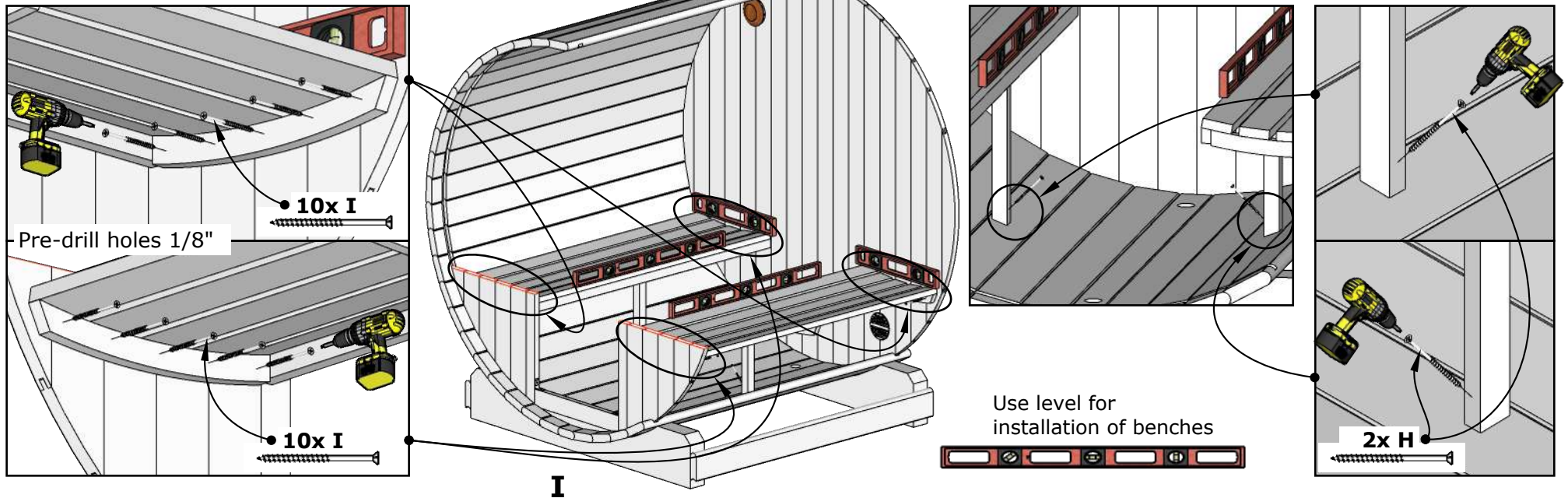
II

NB! If Your sauna equipped with front-glass wall, see front-glass wall installation manual for proper benches installation.



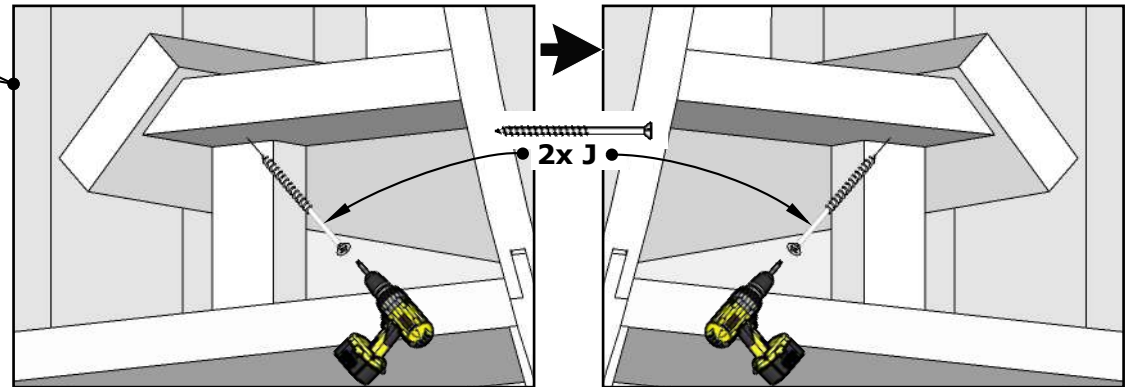
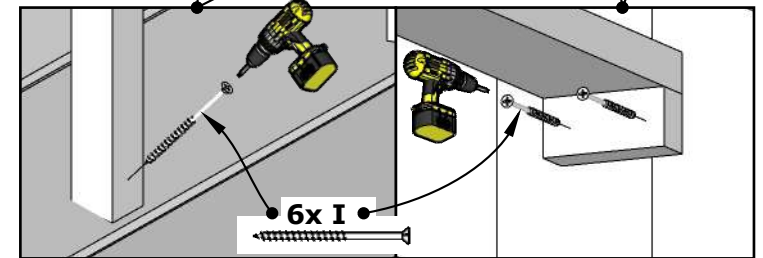
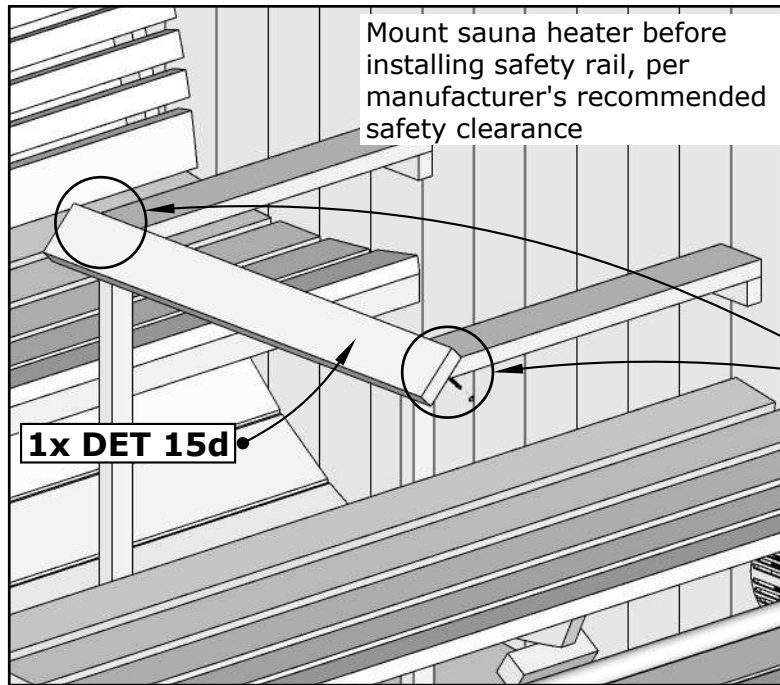
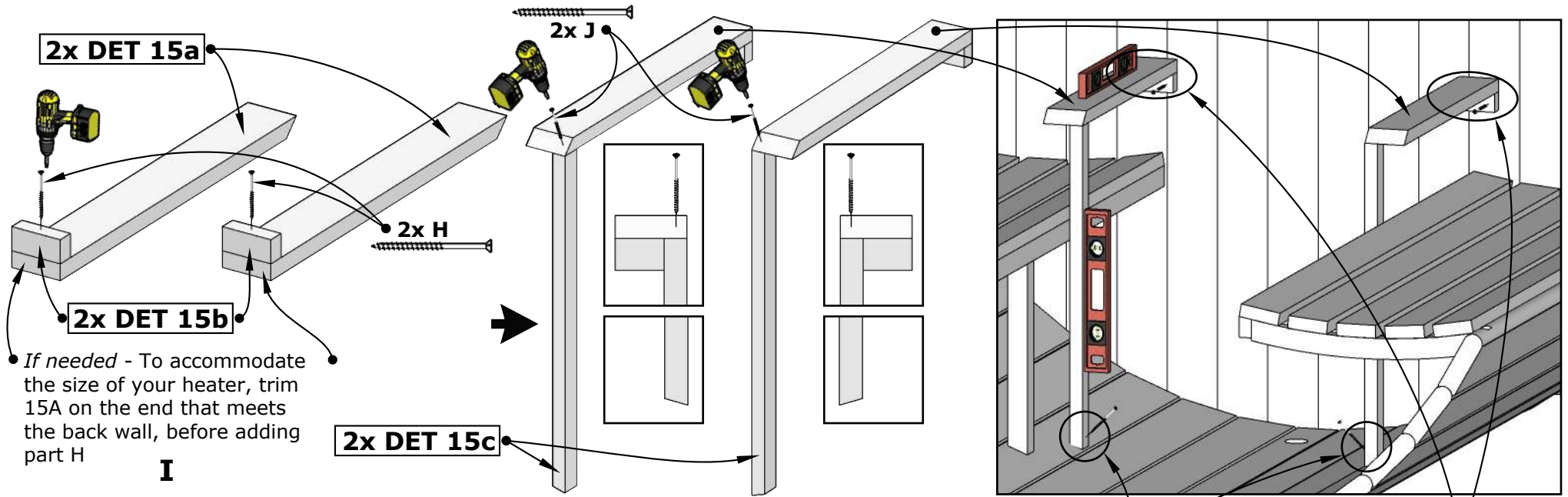
III

# VISTA WITH WINDOW Barrel Sauna 71D" x 81H"



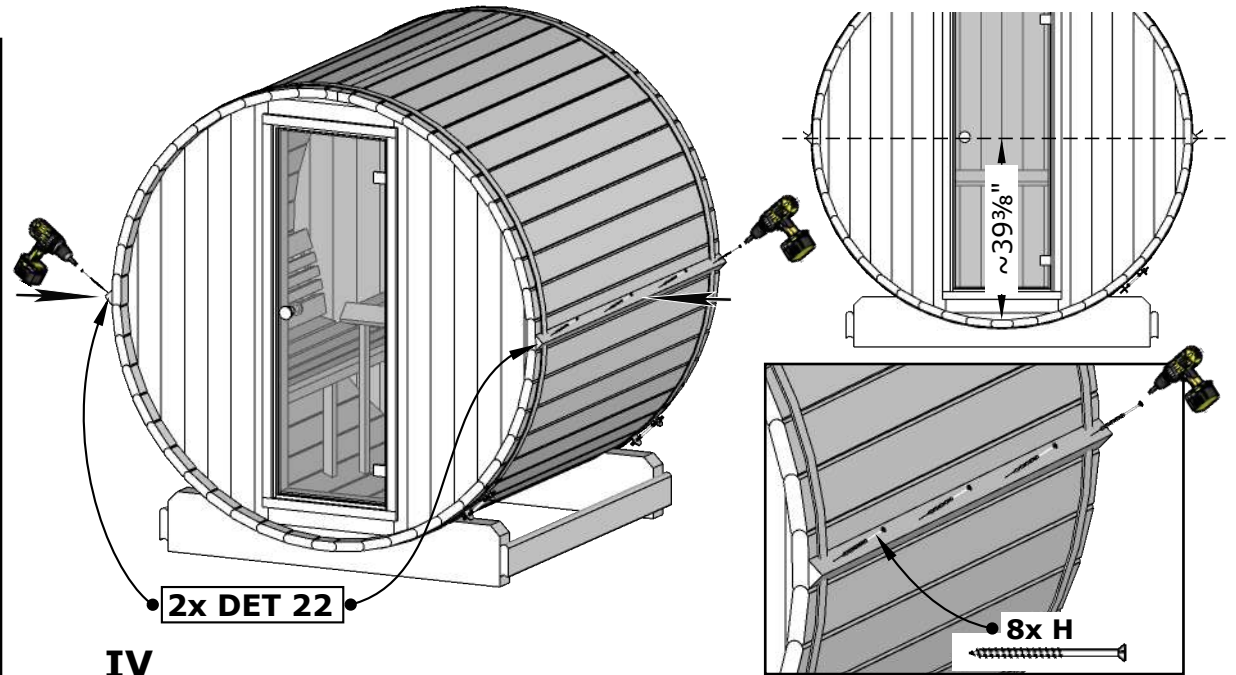
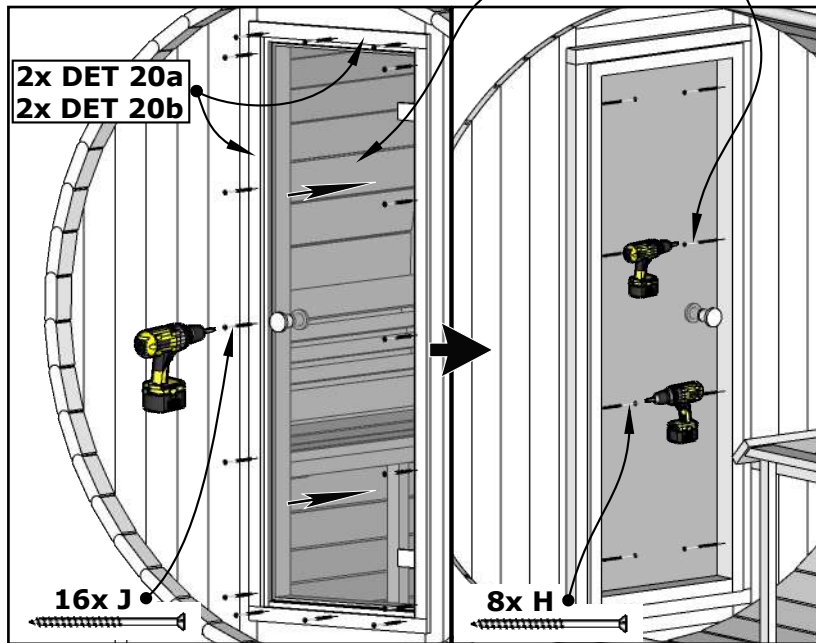
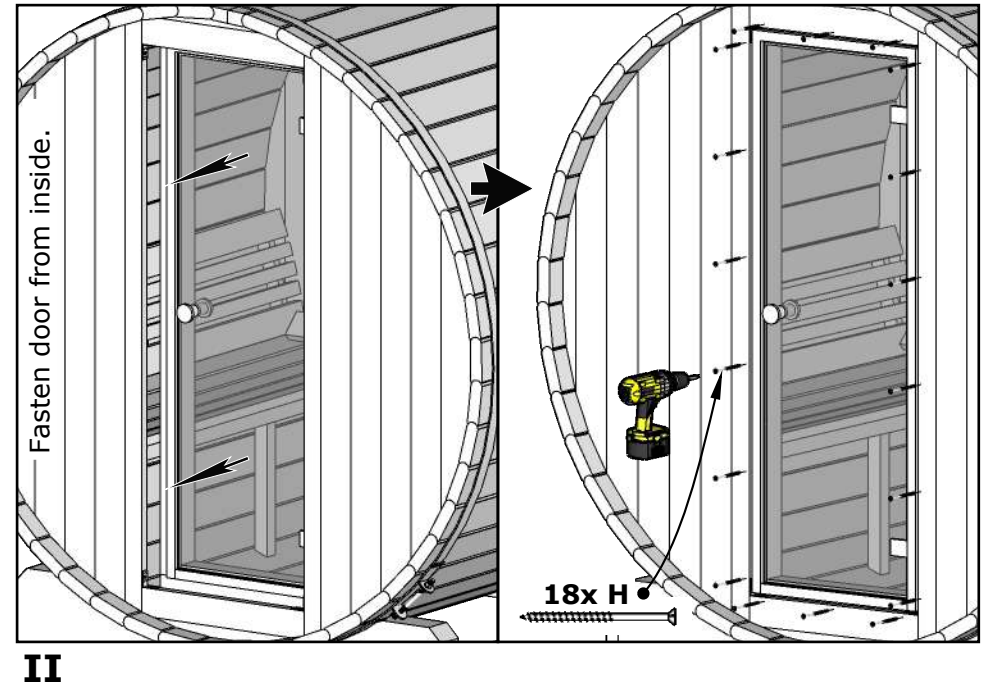
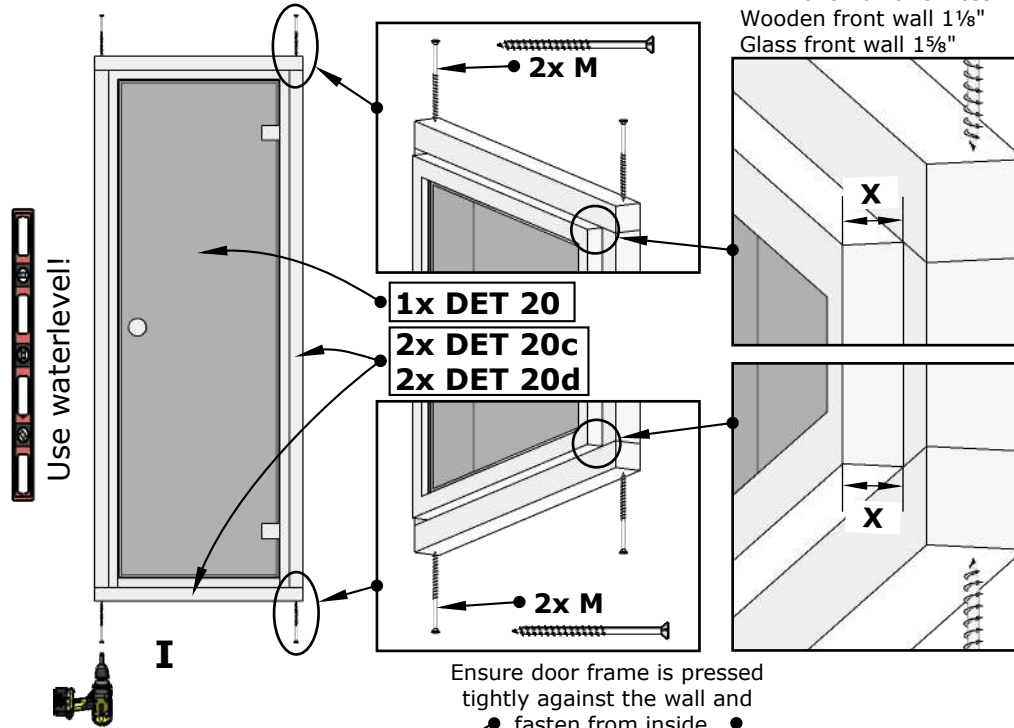


# VISTA WITH WINDOW Barrel Sauna 71D" x 81H"



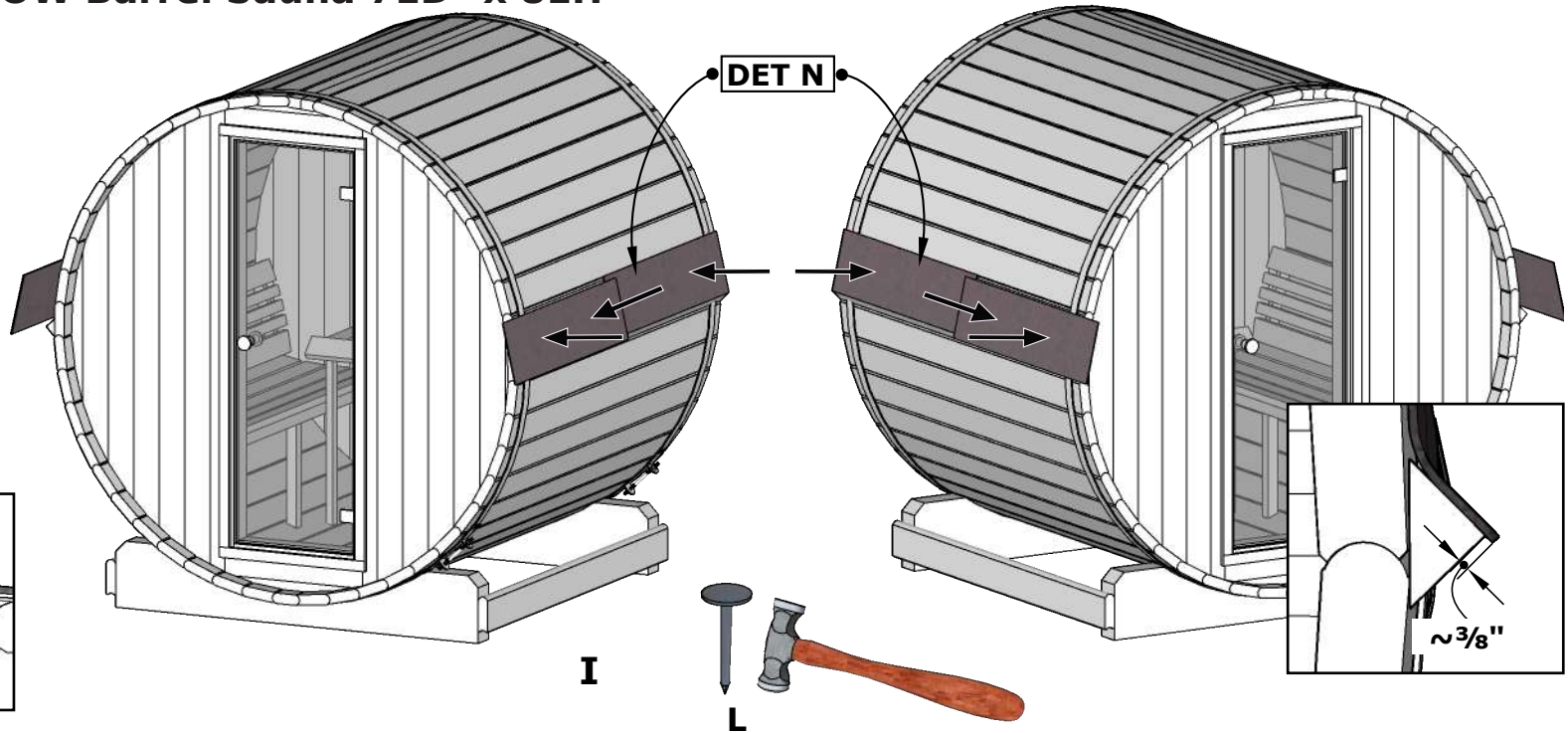
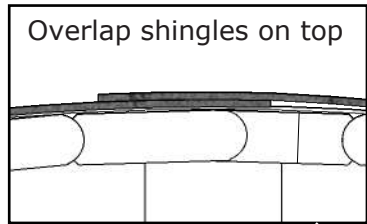
# VISTA WITH WINDOW Barrel Sauna 71D" x 81H"

X= Front wall thickness  
 Wooden front wall 1 1/8"  
 Glass front wall 1 5/8"

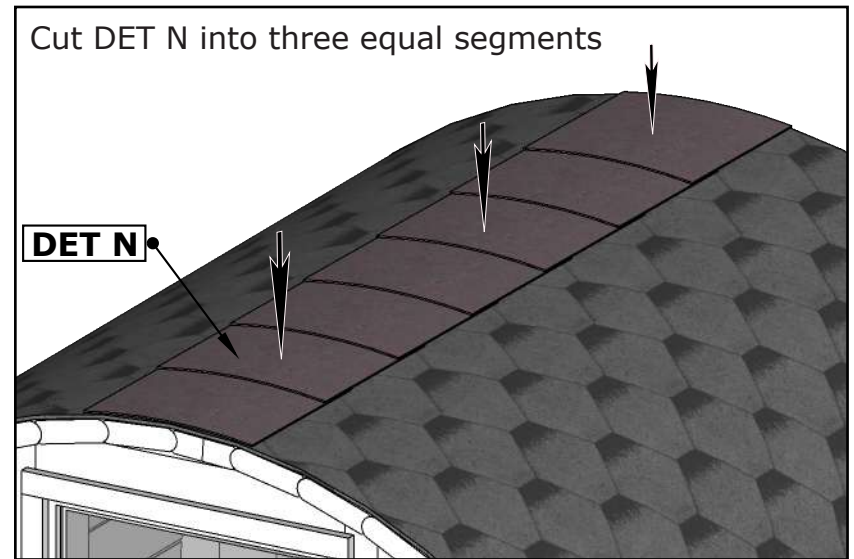
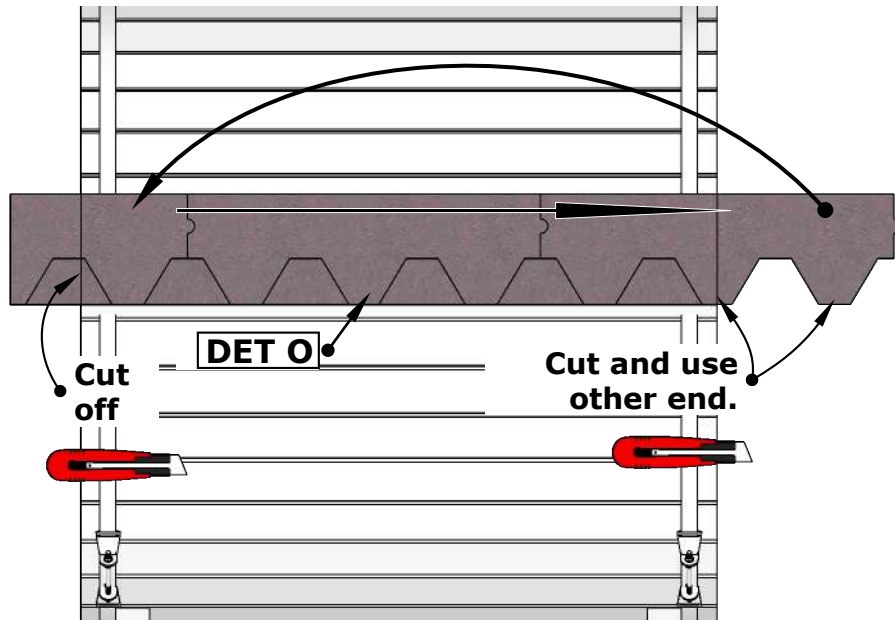


# VISTA WITH WINDOW Barrel Sauna 71D" x 81H"

See the installation manual inside the shingles package



Check also roof shingles installation manual inside package.



# VSITA WITH WINDOW Barrel Sauna 71D" x 81H"

