

SALUS  SAUNAS

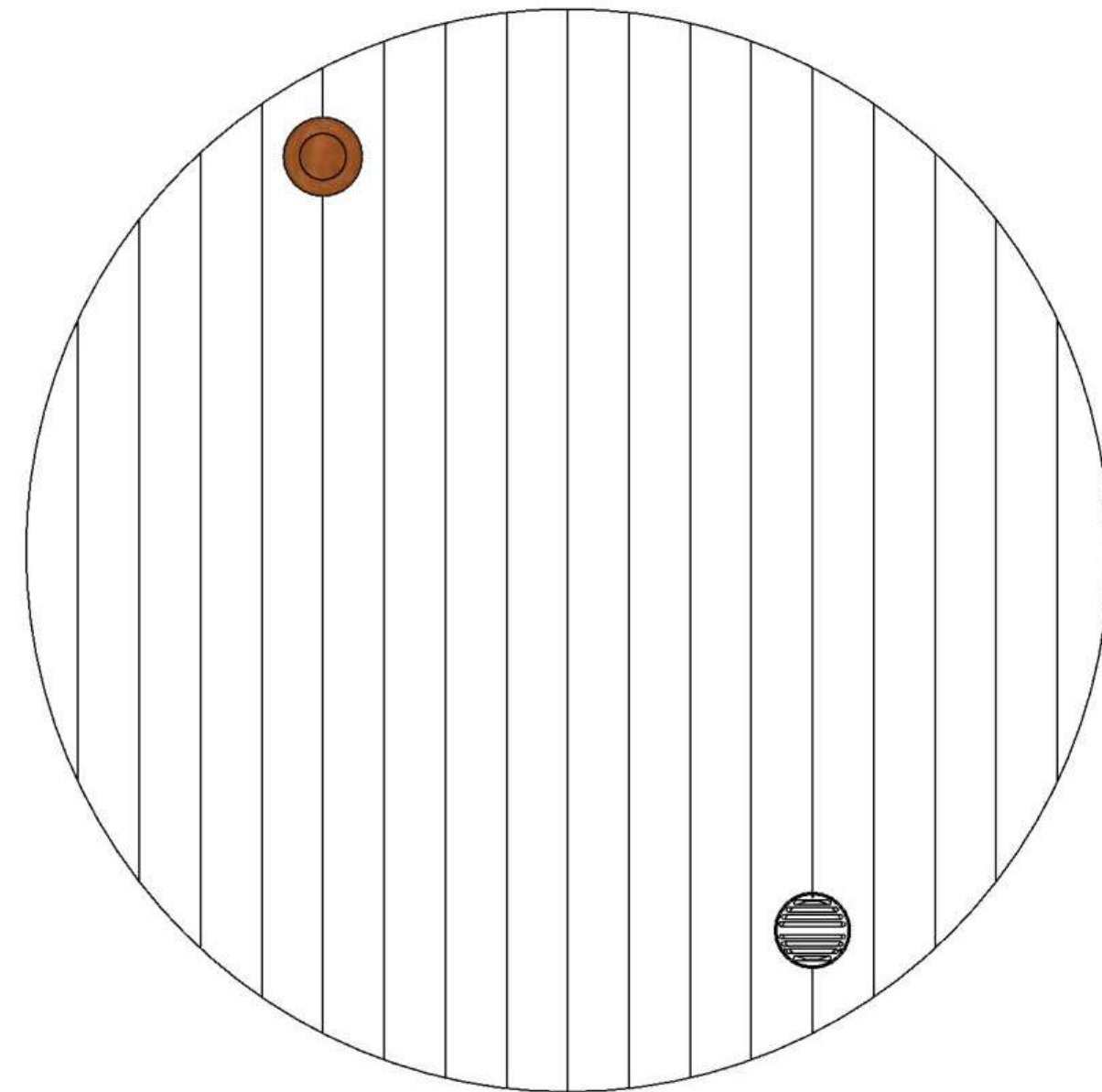
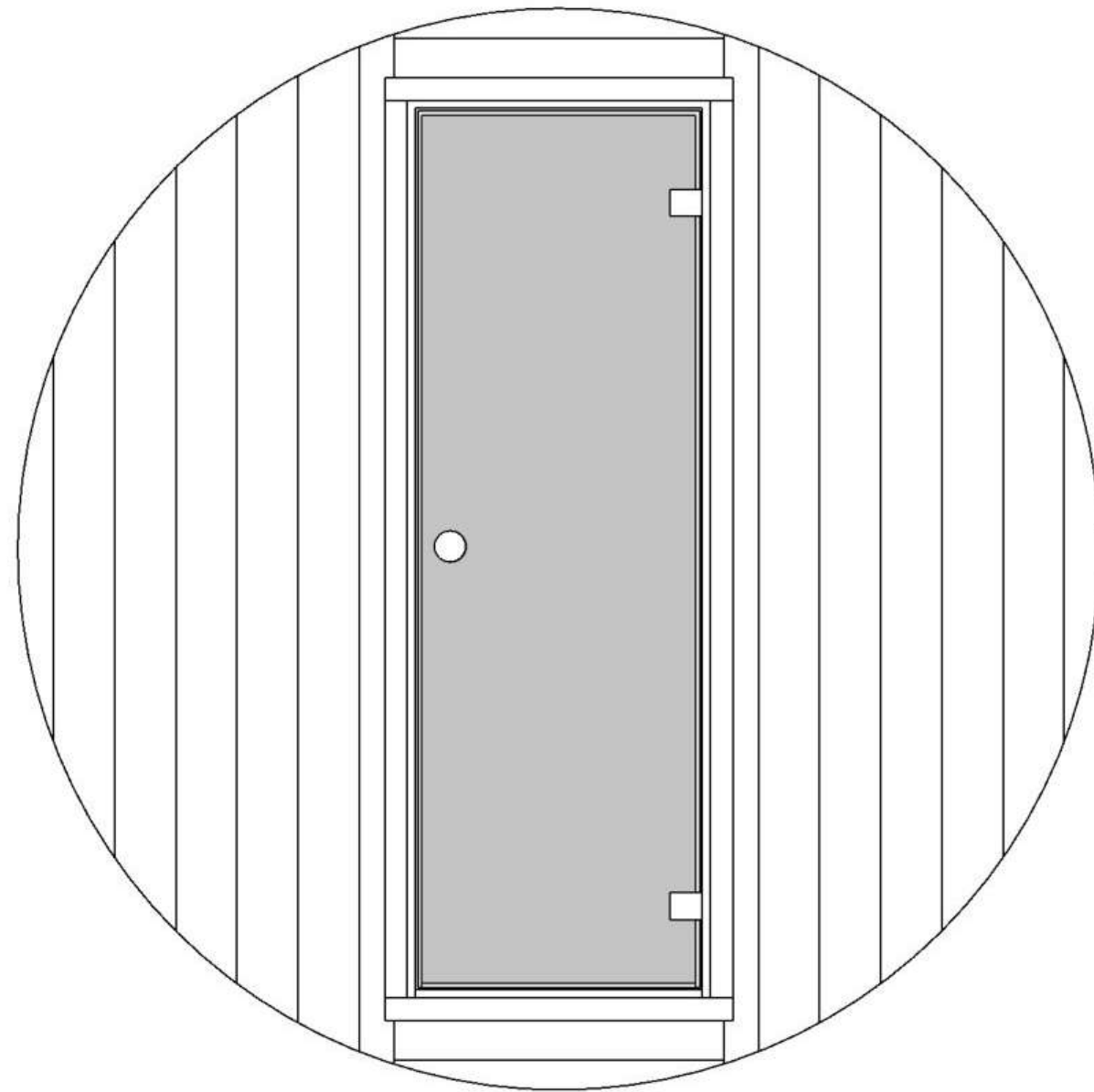


VISTA 4-PERSON BARREL SAUNA

OWNER'S MANUAL

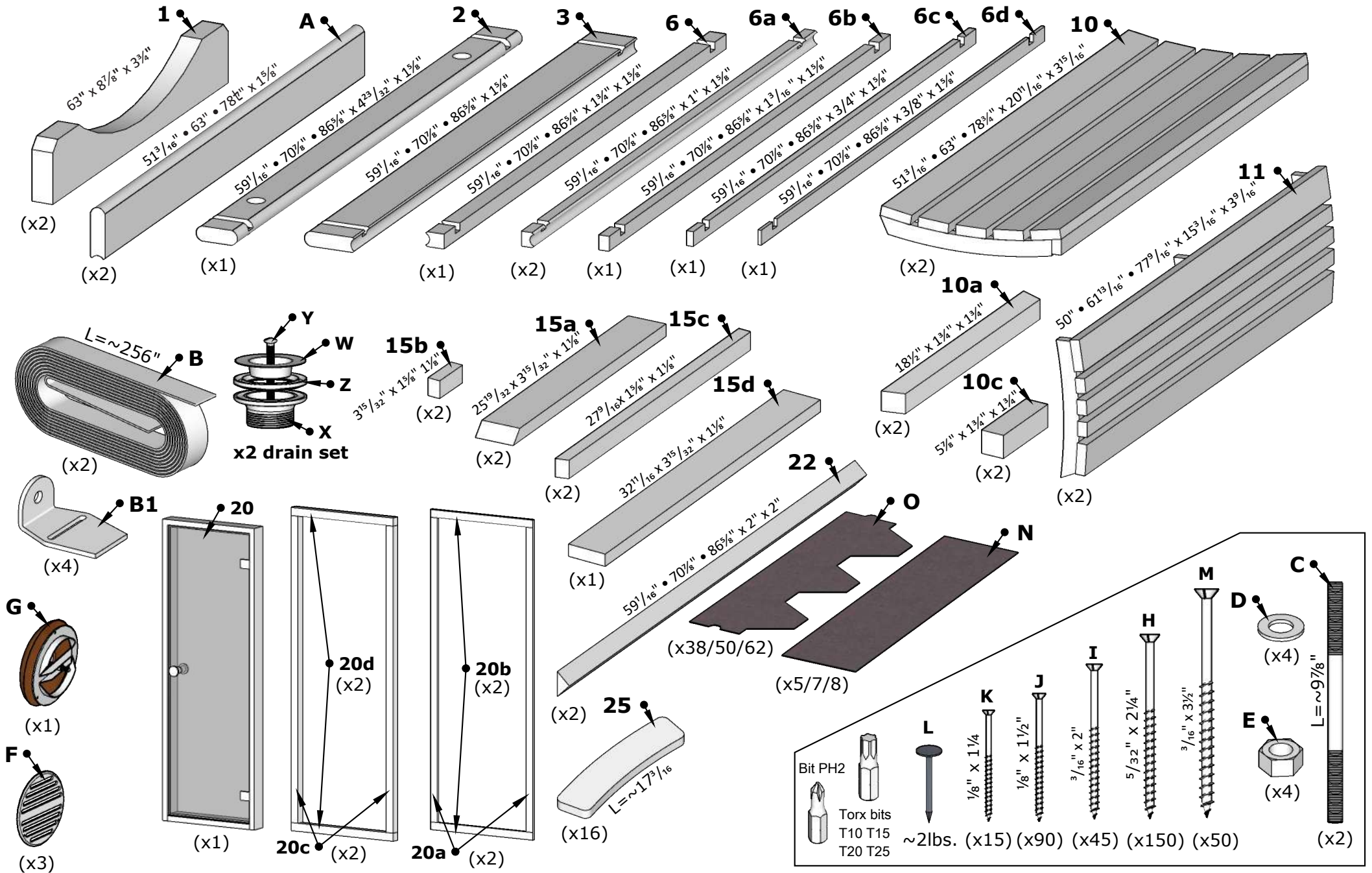
WARNING! Do not place anything combustible close to heater, above the heater, and on both sides of the heater. This includes but not limited to towels, lights, robe hooks, accessories, etc. Nothing should be on the same wall as your heater that is combustible.

Front & Back Walls

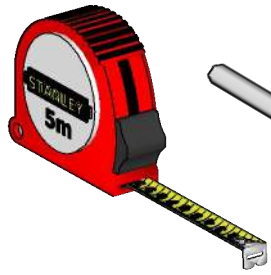


VISTA Barrel Sauna 71D" x 81H"

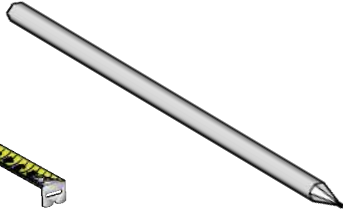
Details list.



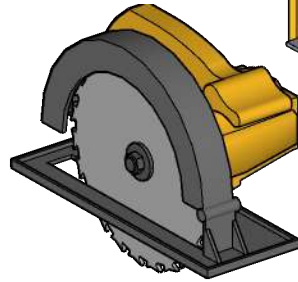
Tools needed



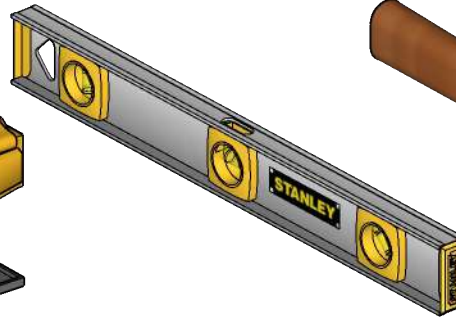
Measuring tape



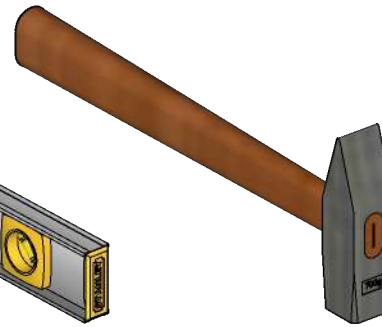
Marker pen



Circular saw



Water level



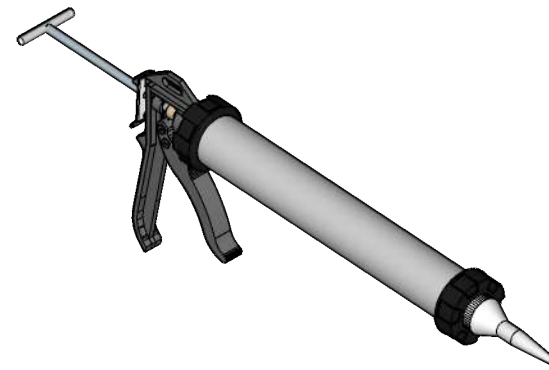
Hammer



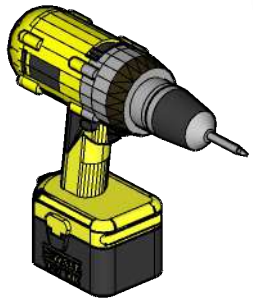
Extra hands



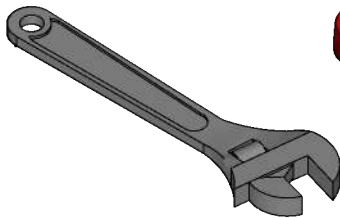
Ratchet strap



Silicone gun
(Only glass-wall models)



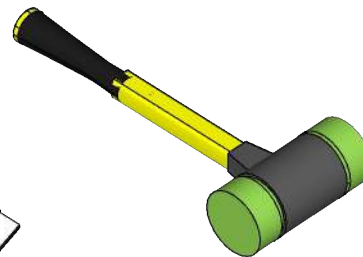
Drill



Crescent wrench



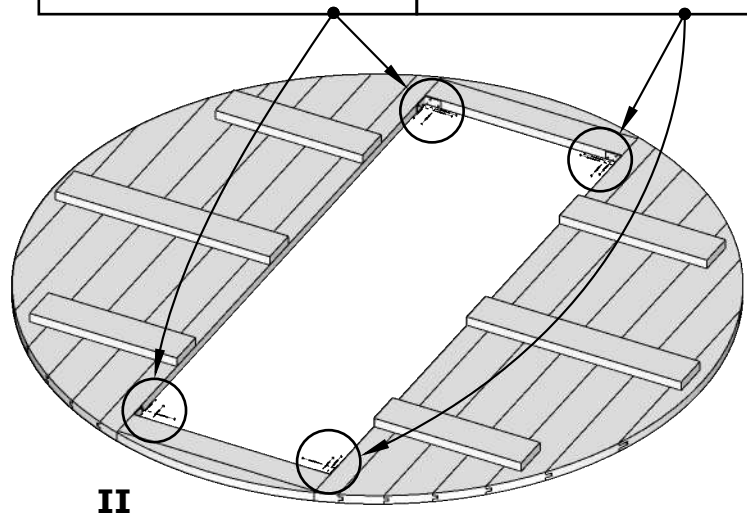
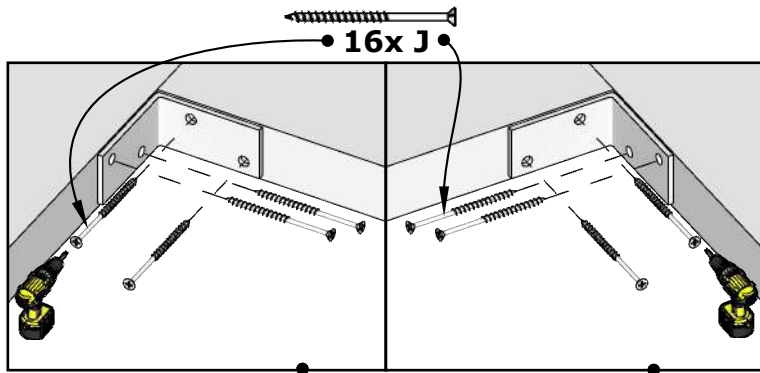
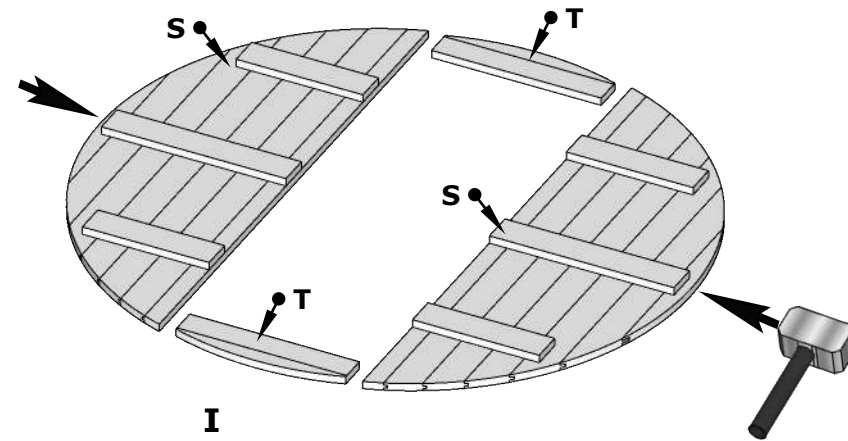
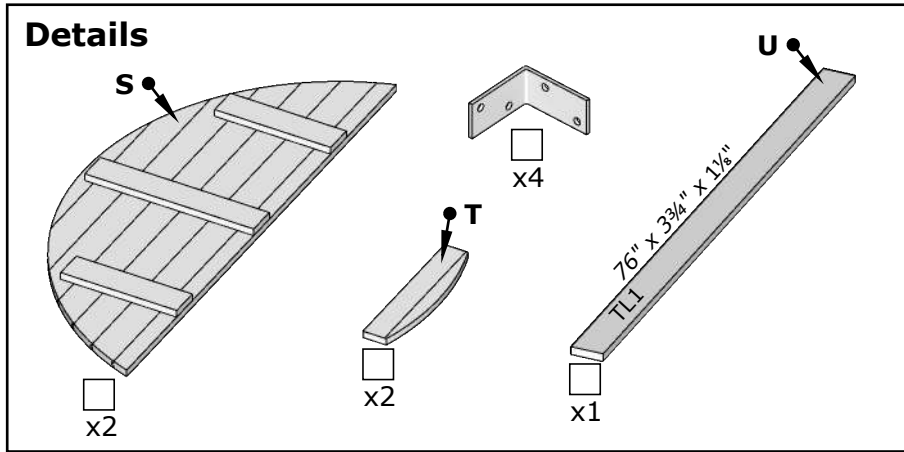
Utility knife



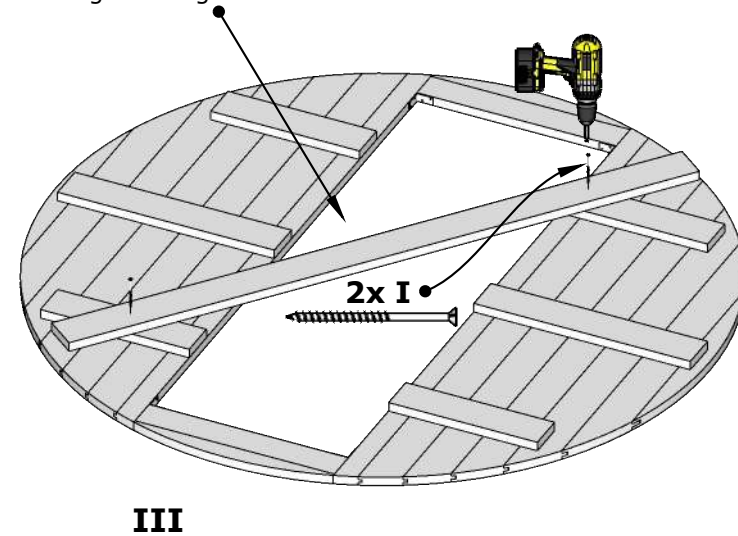
Rubber mallet

Wooden front wall installation

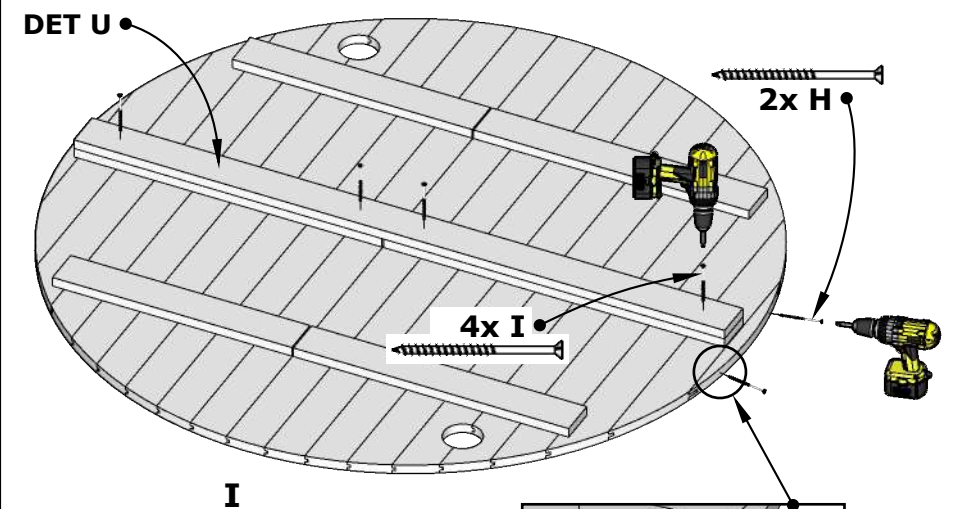
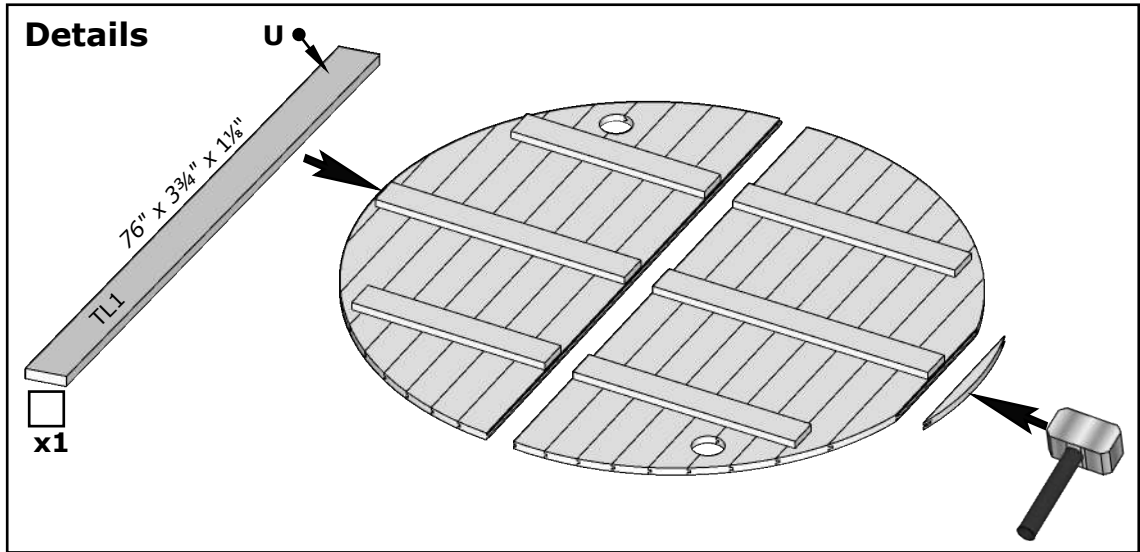
Details



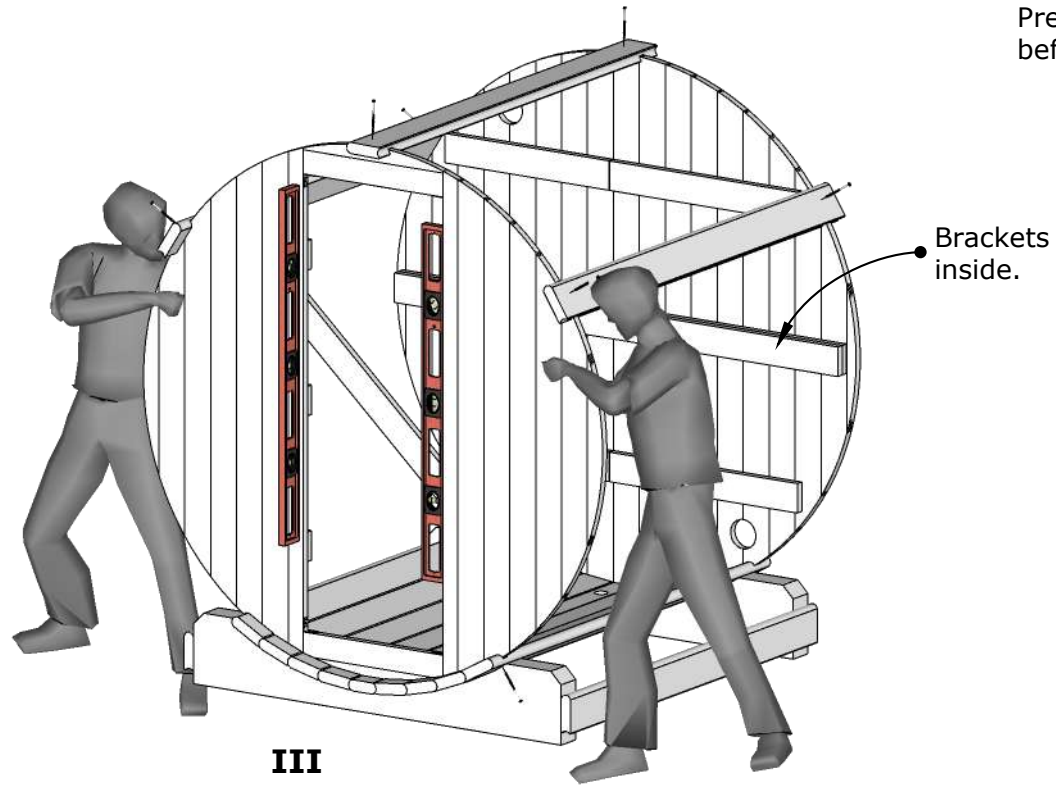
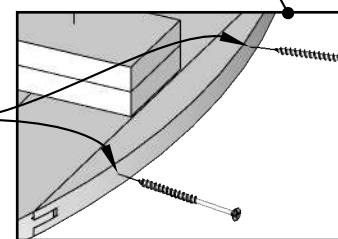
DET U Fix it diagonally to make wall more rigid during the installation.



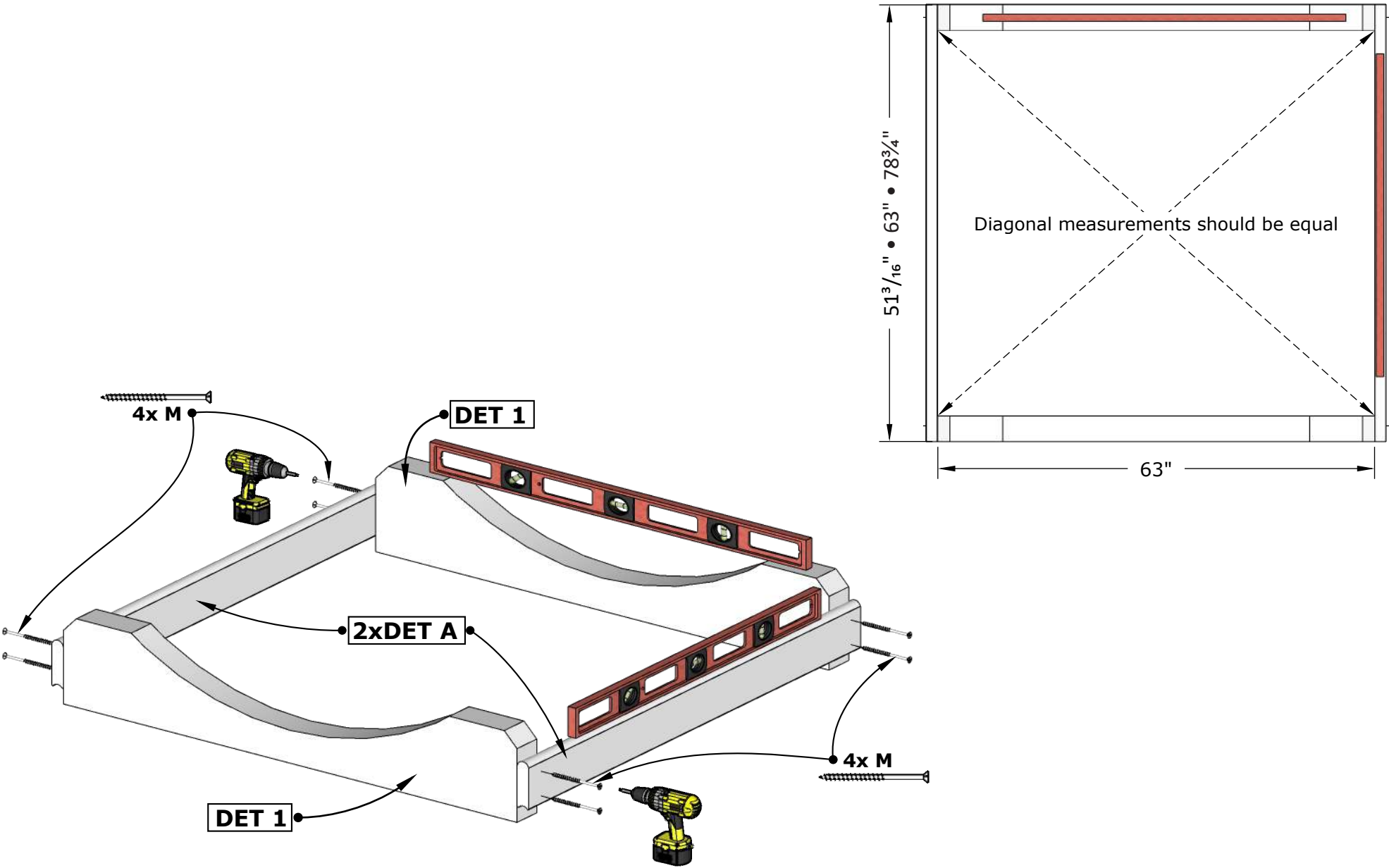
Wooden back wall installation



Pre-drill holes 5/32" before screws.

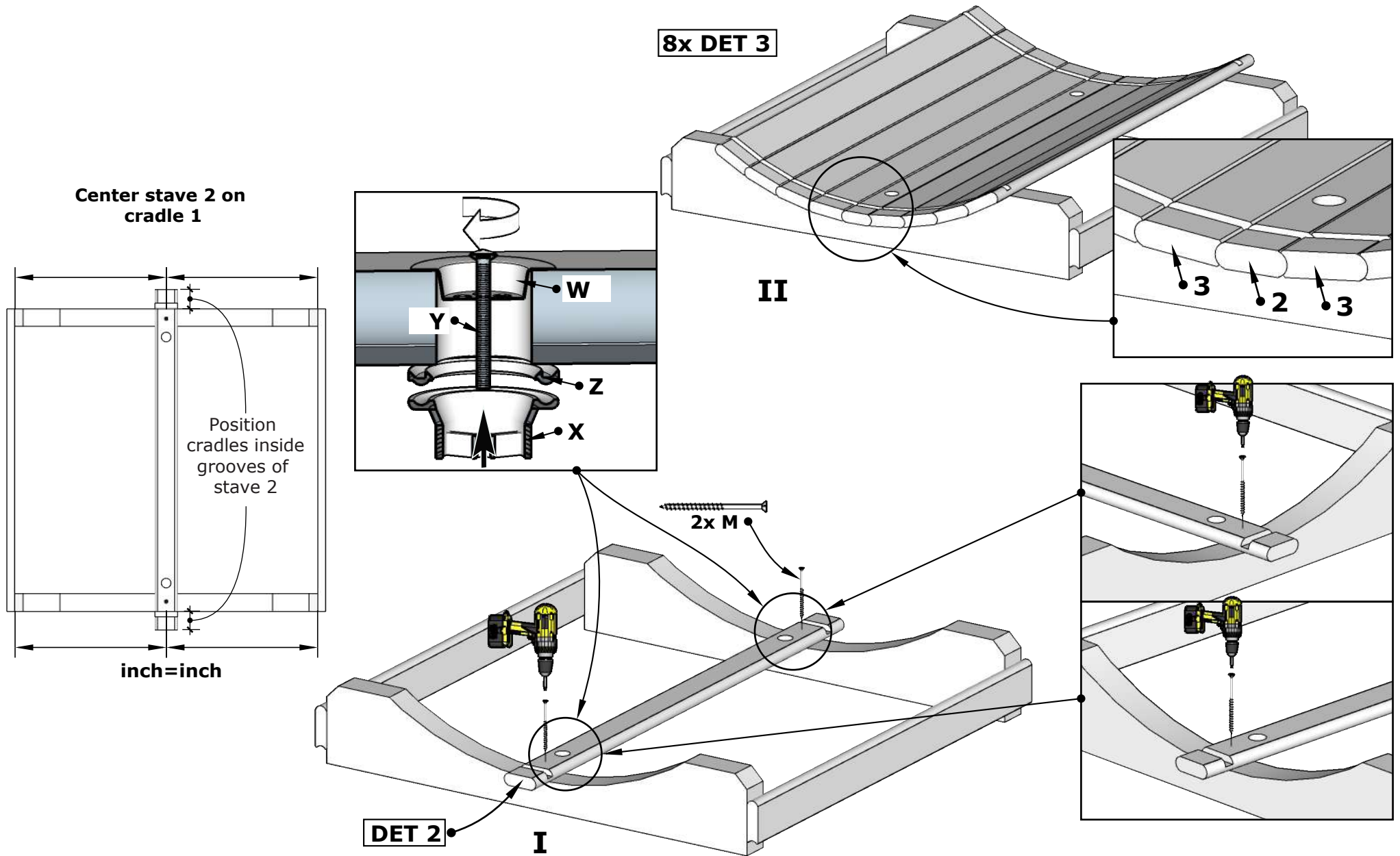


VISTA Barrel Sauna 71D" x 81H"

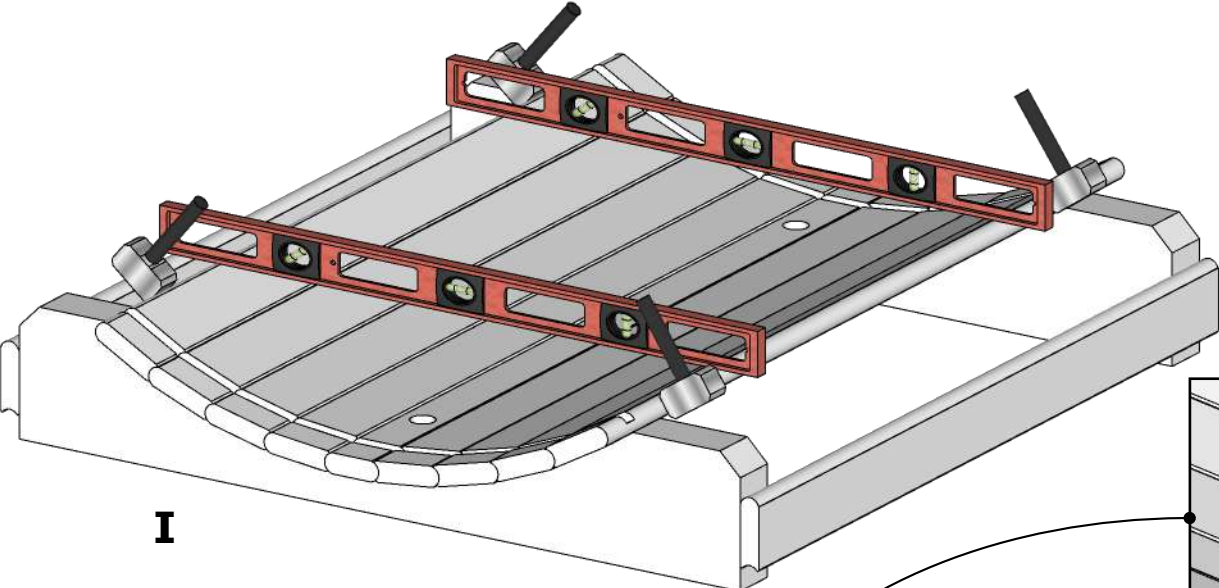


1.

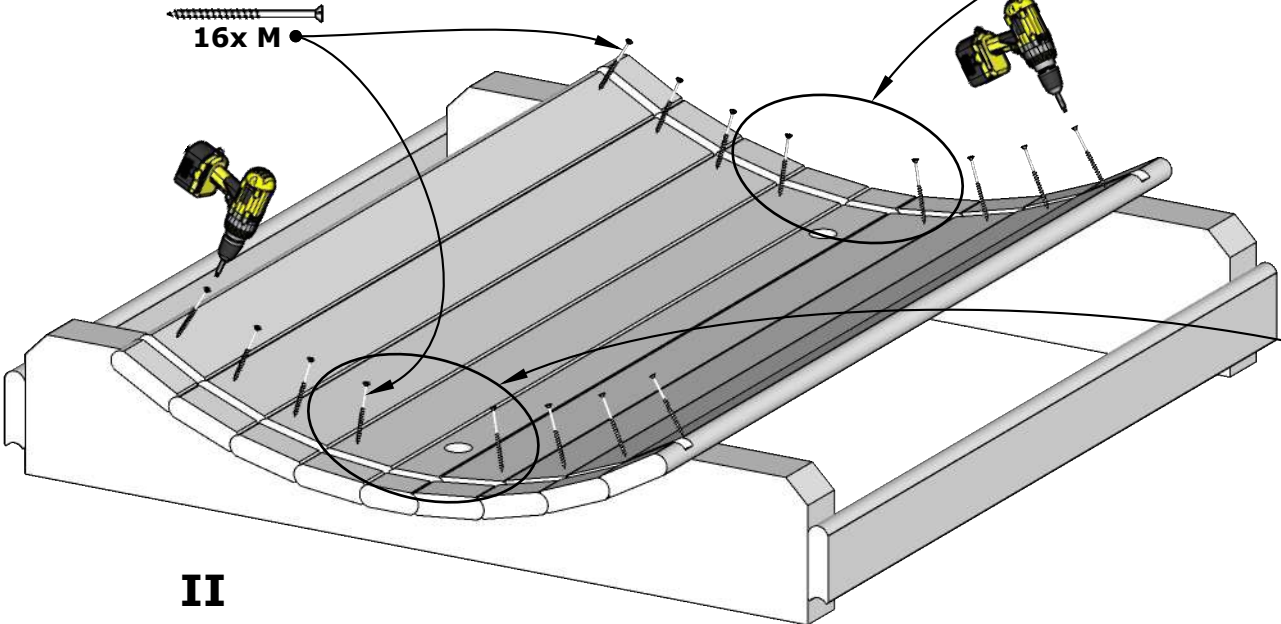
VISTA Barrel Sauna 71D" x 81H"



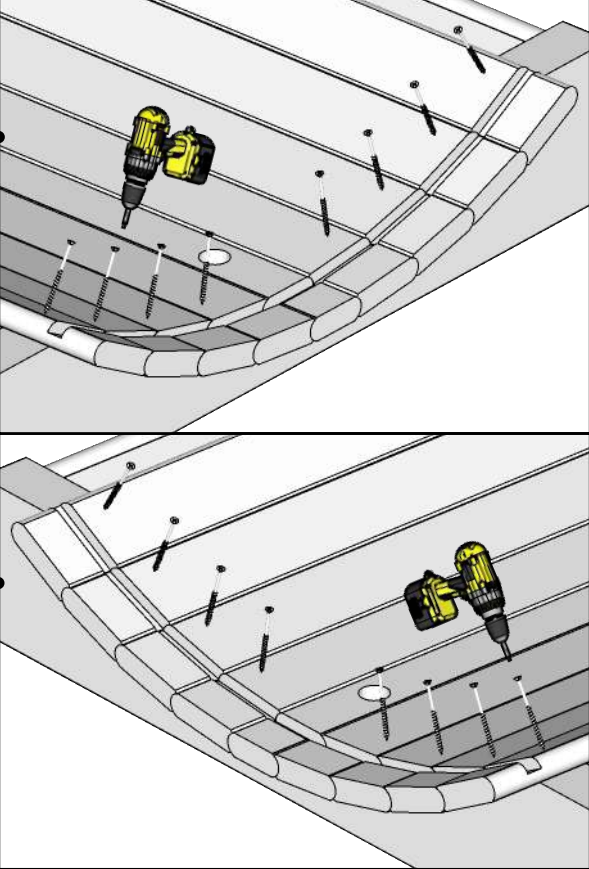
VISTA Barrel Sauna 71D" x 81H"



I

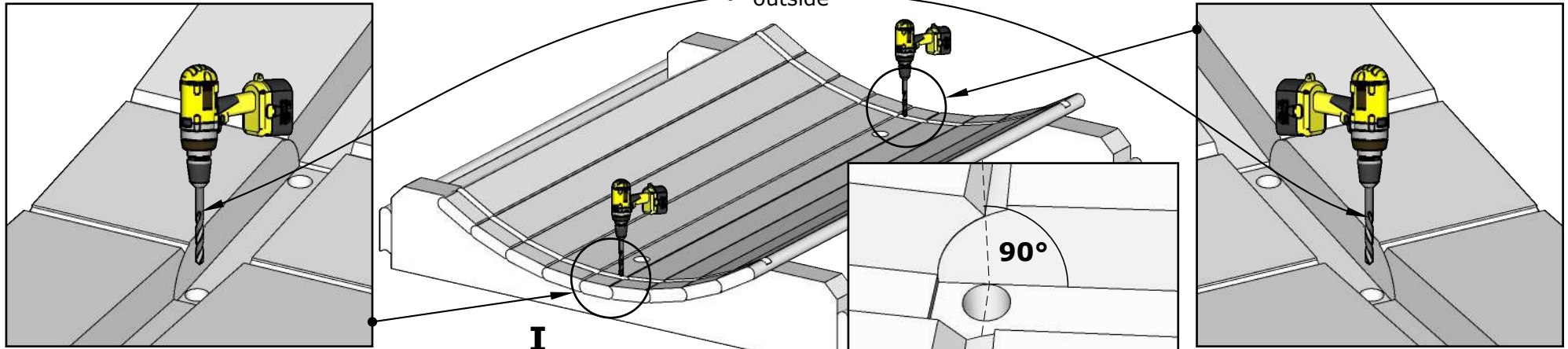


II

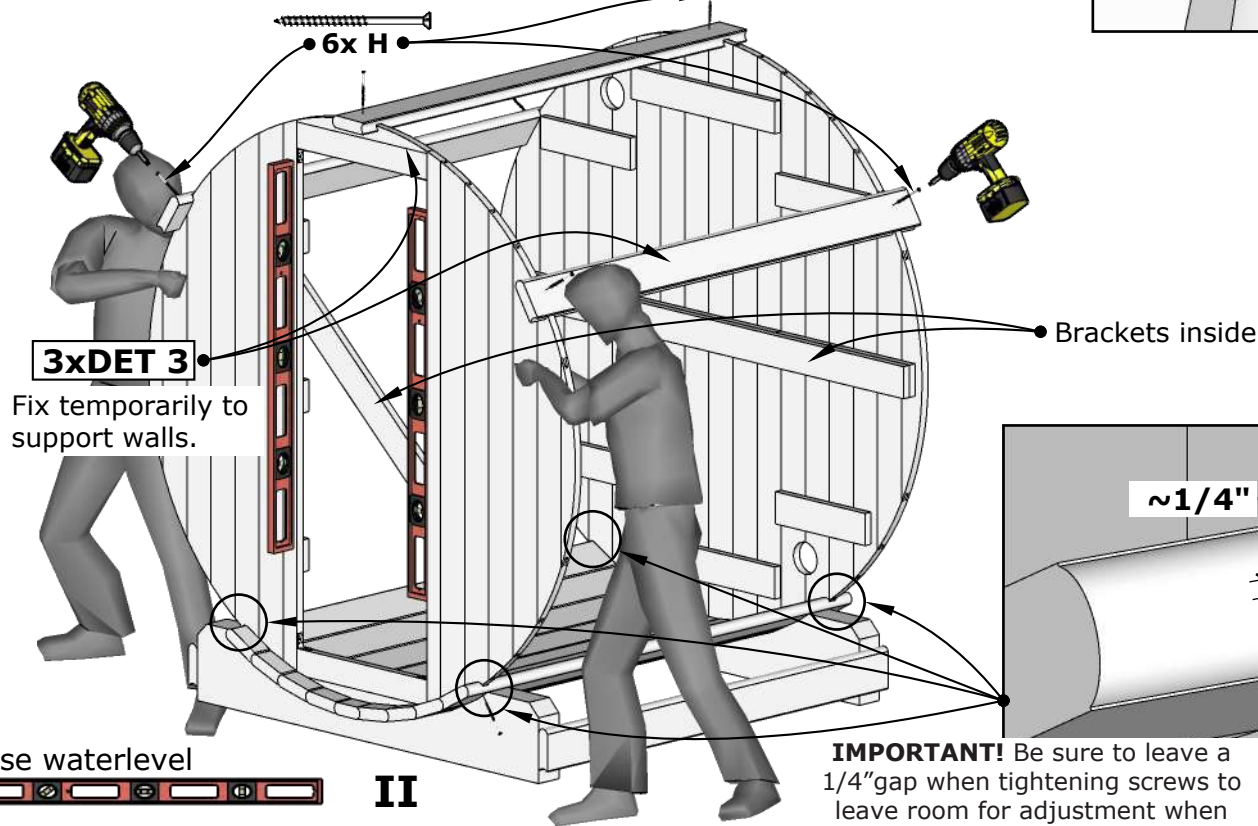


VISTA Barrel Sauna 71D" x 81H"

Drill 4 holes $\varnothing 1/2"$
through DET 2
outside

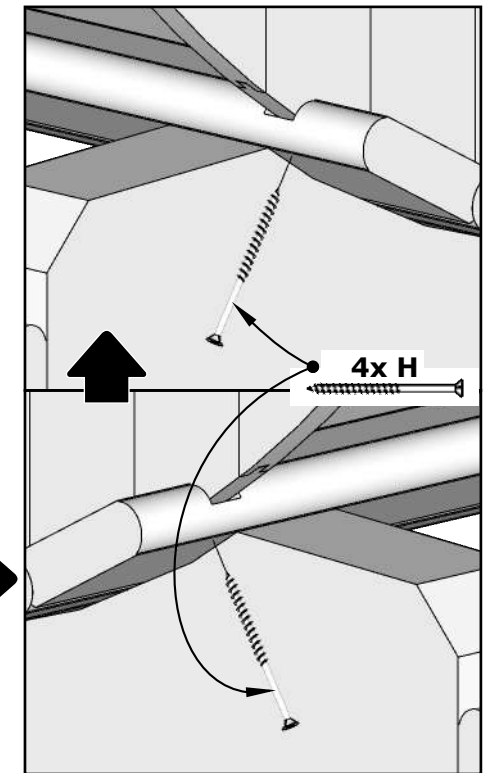


I



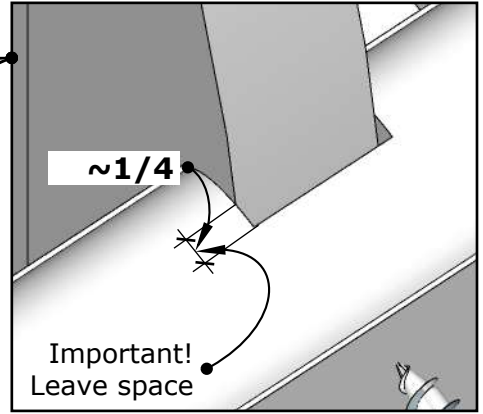
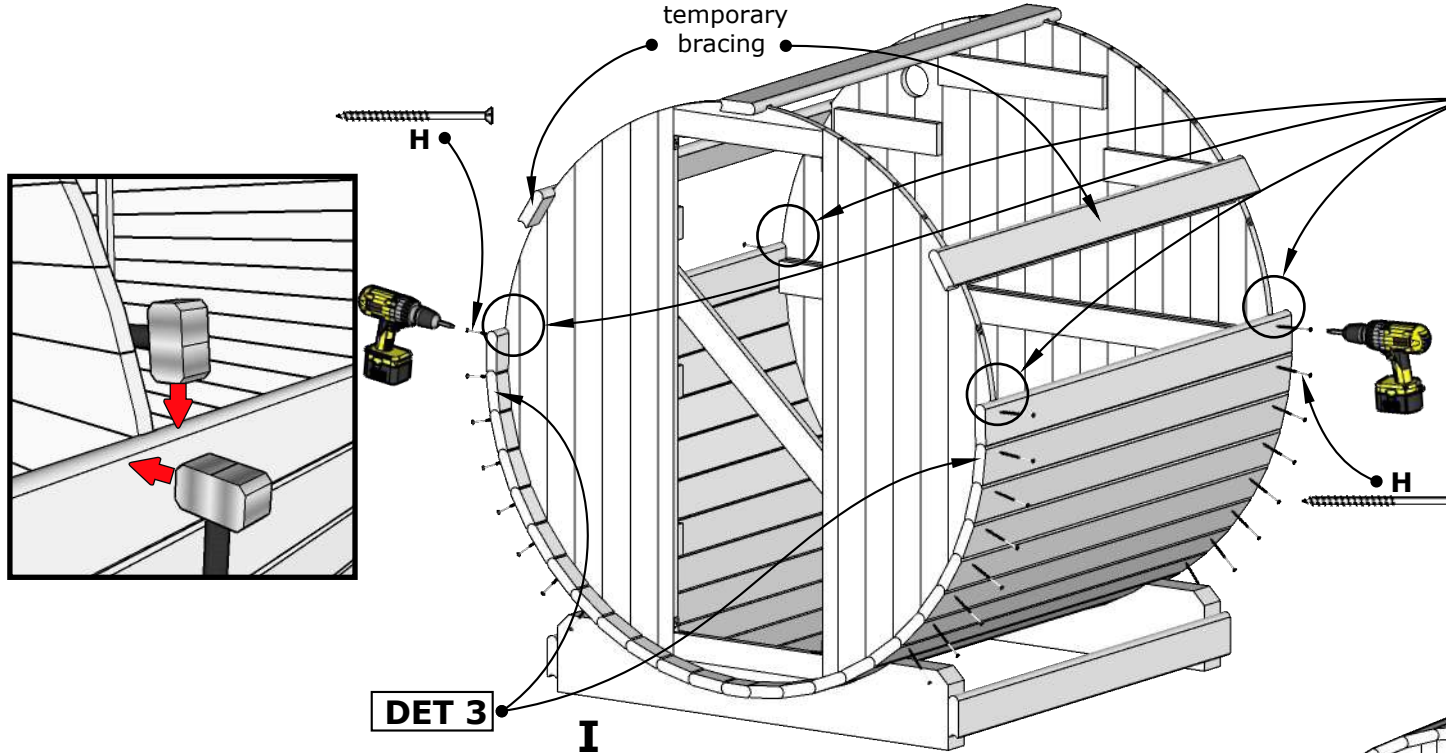
II

IMPORTANT! Be sure to leave a $1/4"$ gap when tightening screws to leave room for adjustment when the outer bands (B) are installed.



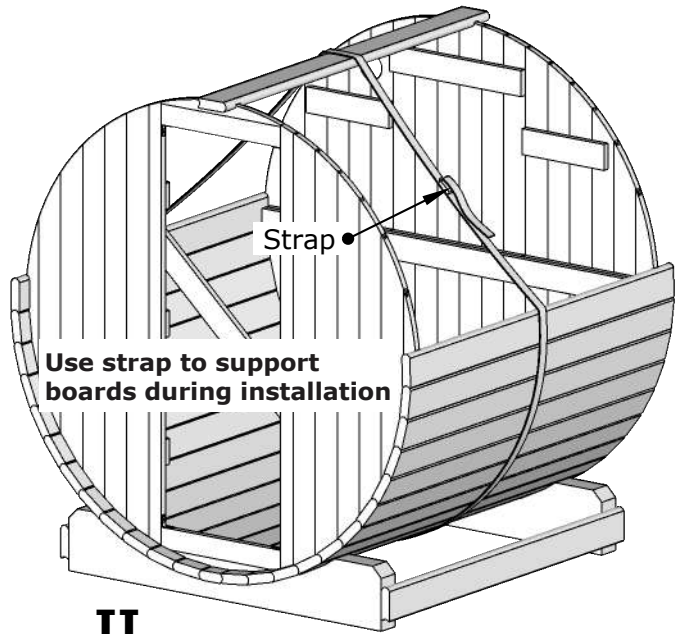
VISTA Barrel Sauna 71D" x 81H"

Remove temporary bracing



IMPORTANT! Be sure to leave a 1/4" gap when tightening screws to leave room for adjustment when the outer bands (B) are installed.

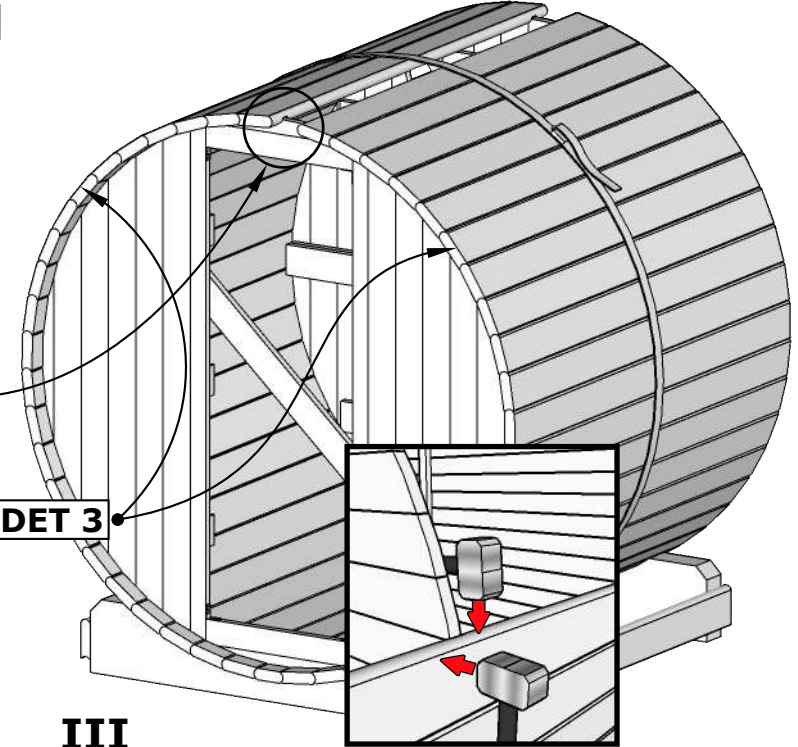
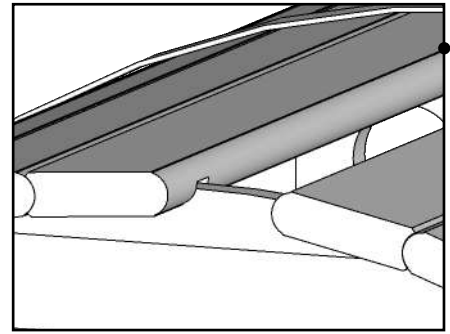
DET 3
I



Use strap to support boards during installation

II

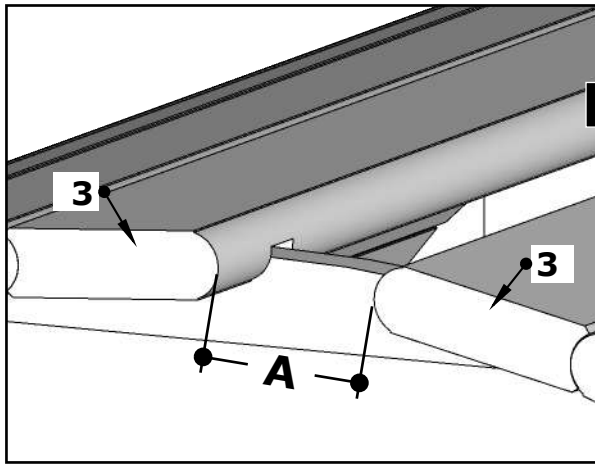
See the next page.



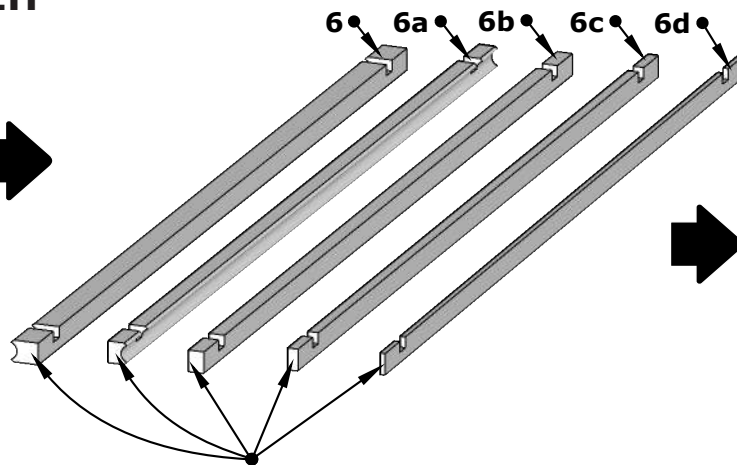
DET 3

III

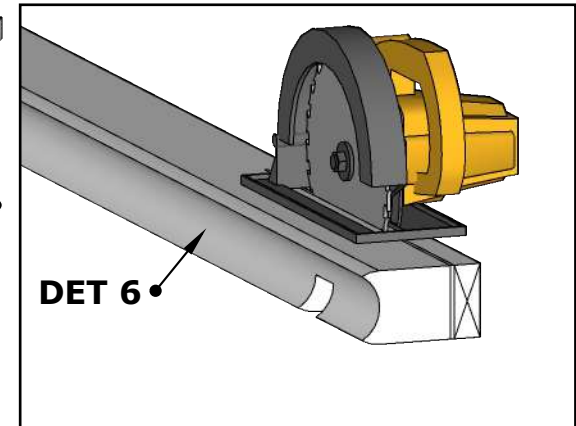
VISTA Barrel Sauna 71D" x 81H"



I

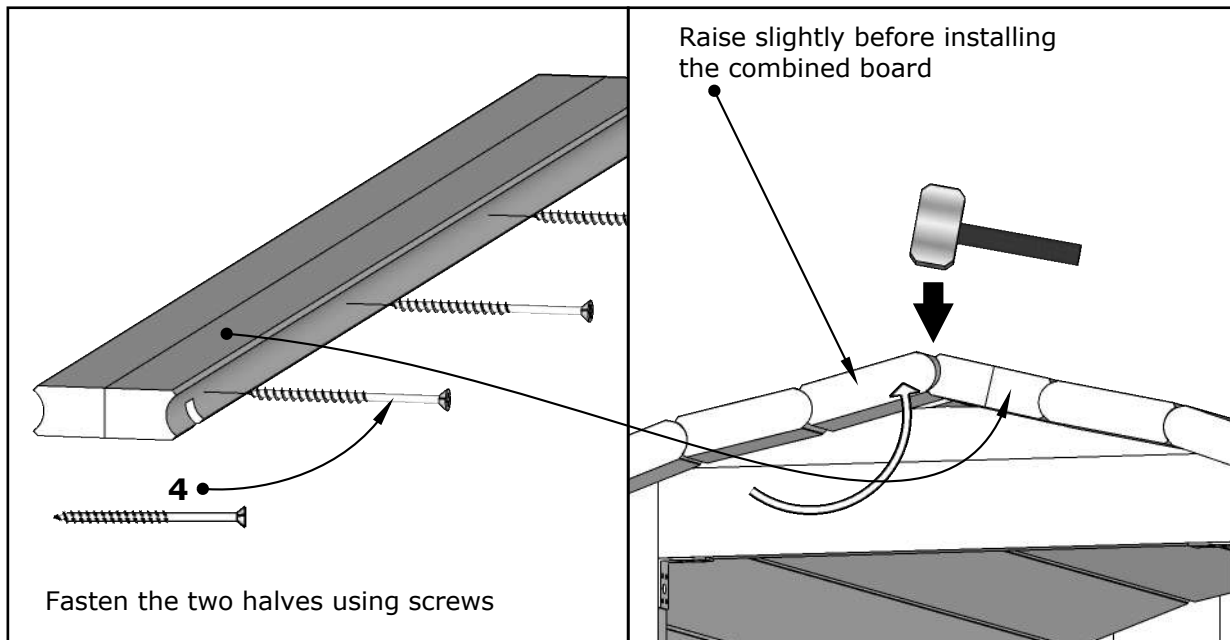


Join two boards together (as shown in diagram II) that will bridge the width of the "A" gap. It is recommended that the combined boards are approximately 1/4" wider than the gap.



DET 6

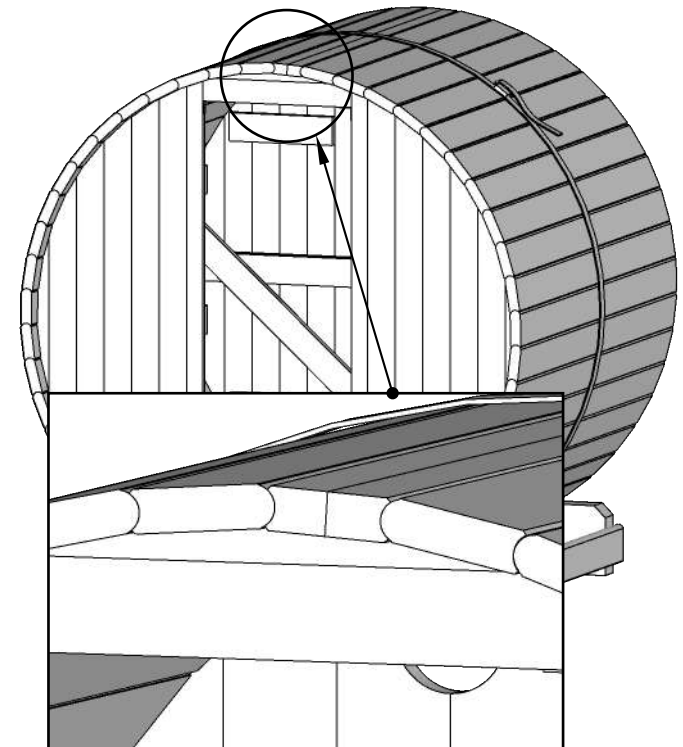
If needed, trim the flat edge of the board to create the desired width.



Fasten the two halves using screws

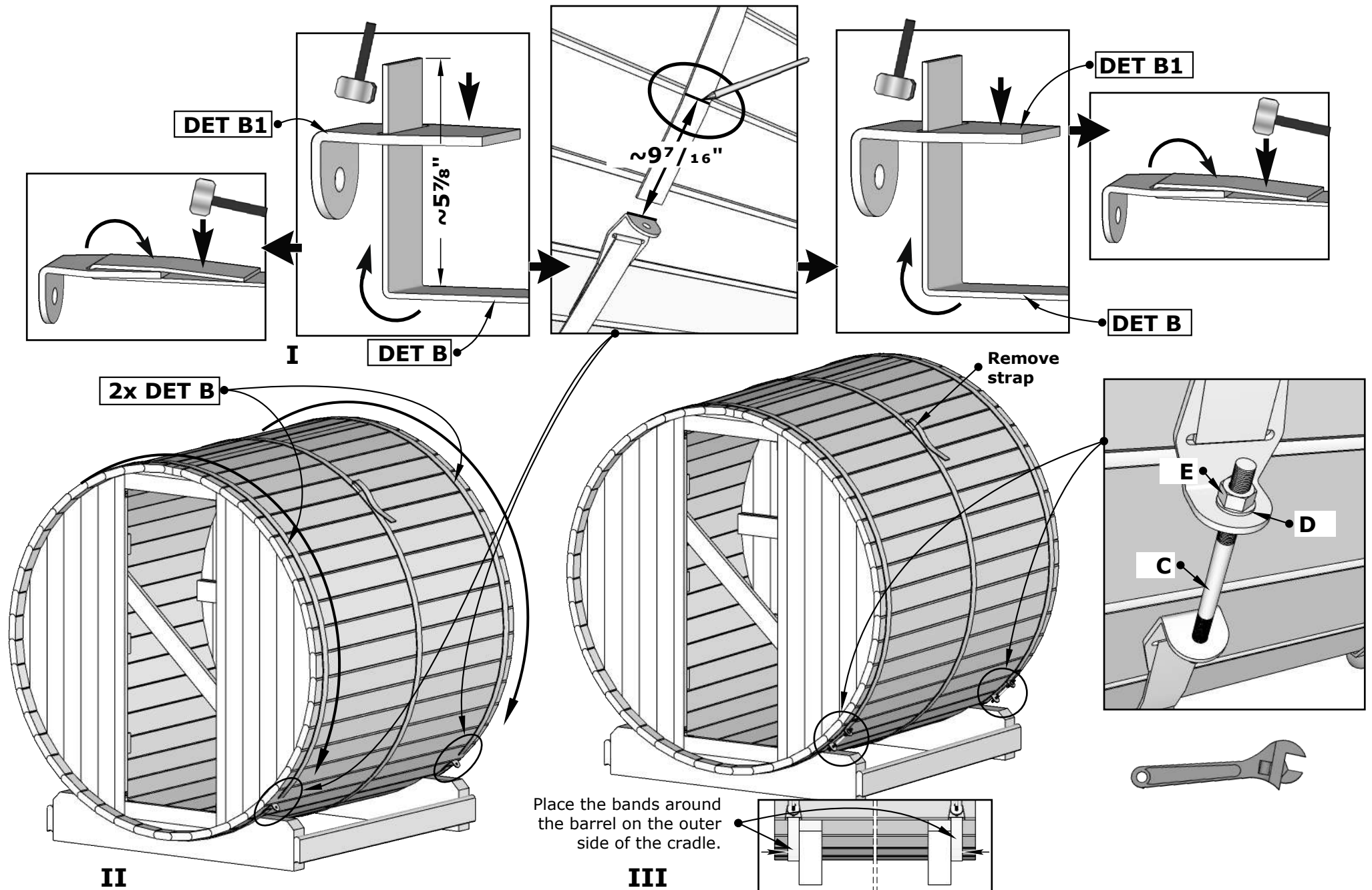
Raise slightly before installing the combined board

II



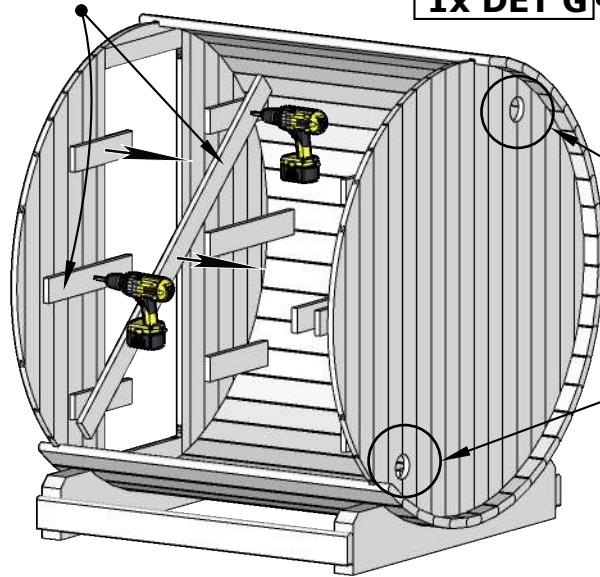
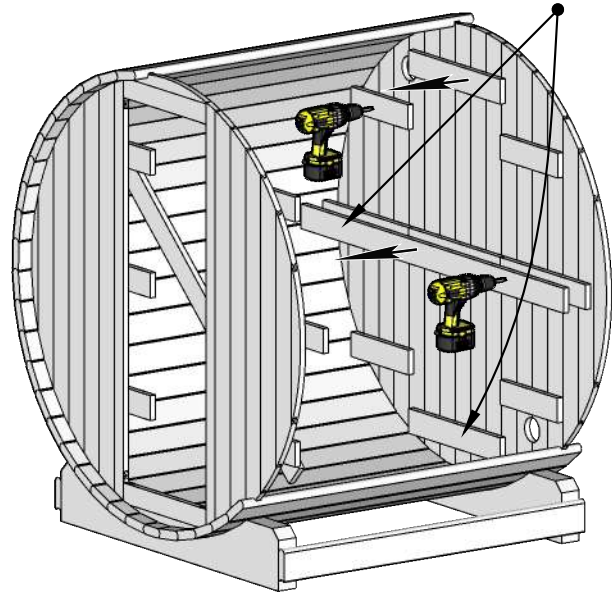
III

VISTA Barrel Sauna 71D" x 81H"

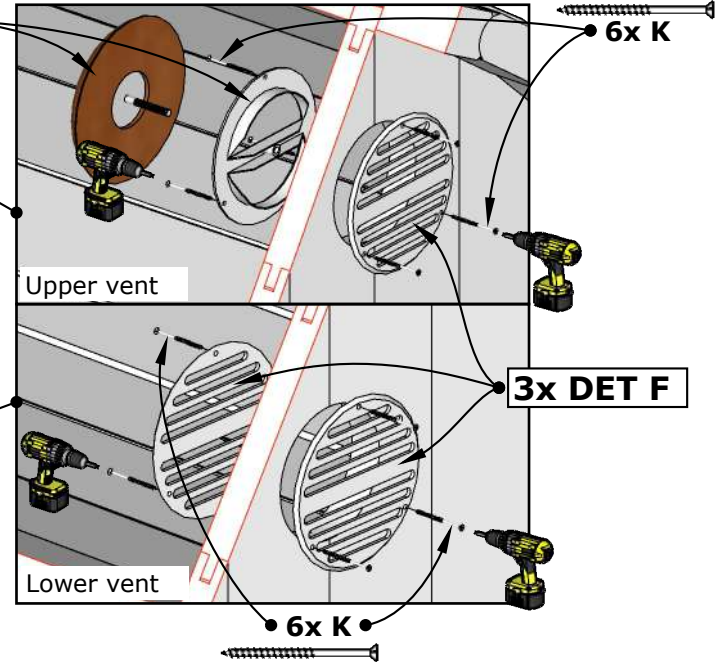


VISTA Barrel Sauna 71D" x 81H"

Remove all temporary braces



1x DET G



Upper vent

Lower vent

3x DET F

6x K

6x K

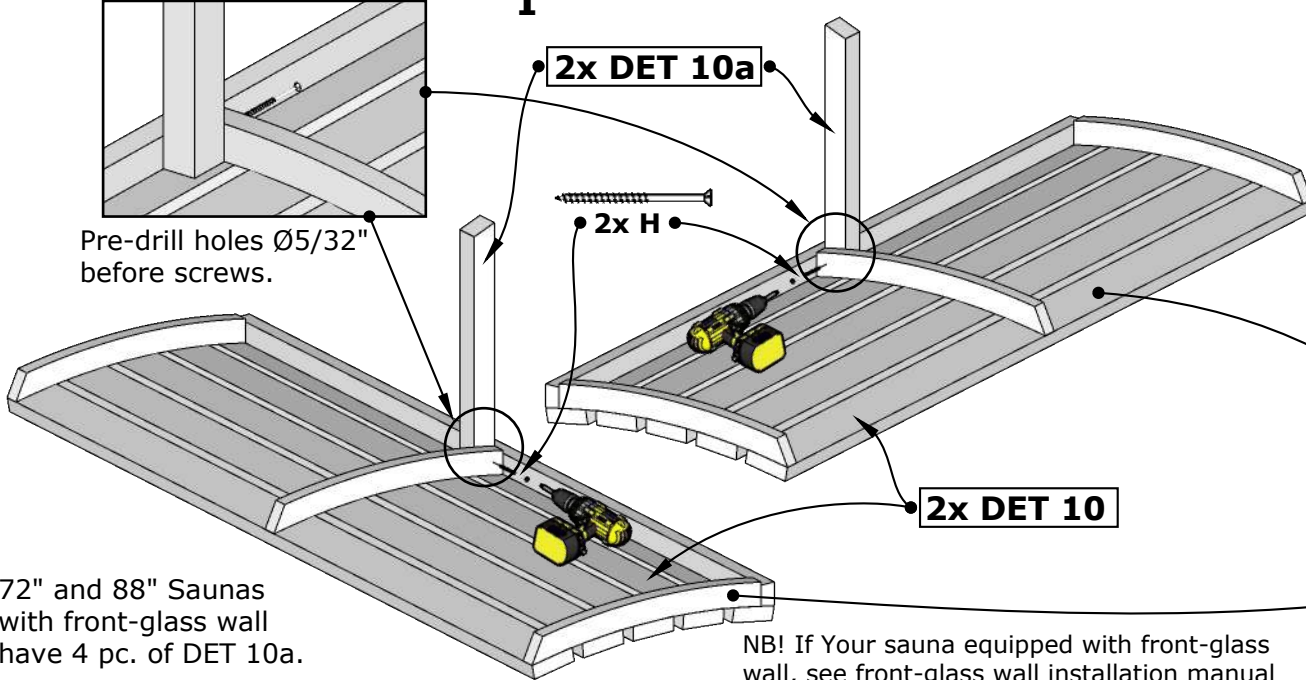
I

2x DET 10a

2x H

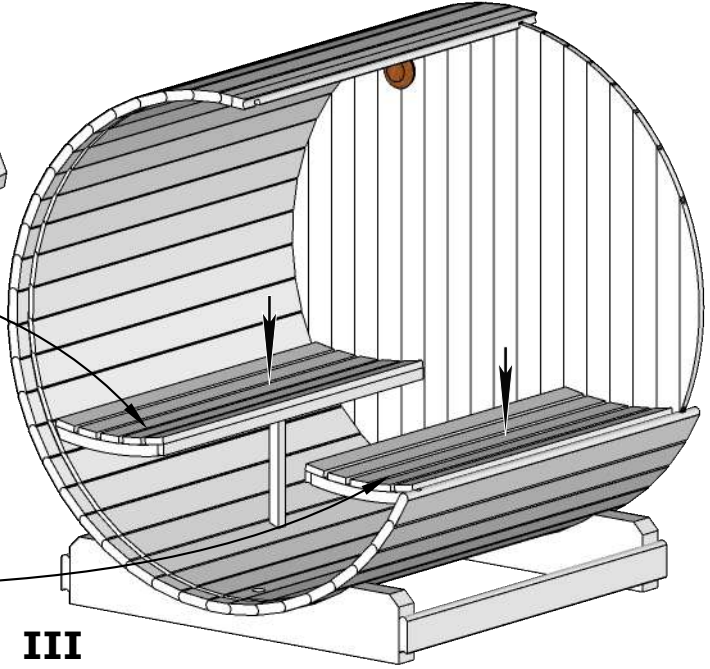
2x DET 10

Pre-drill holes Ø5/32" before screws.



NB! If Your sauna equipped with front-glass wall, see front-glass wall installation manual for proper benches installation.

III

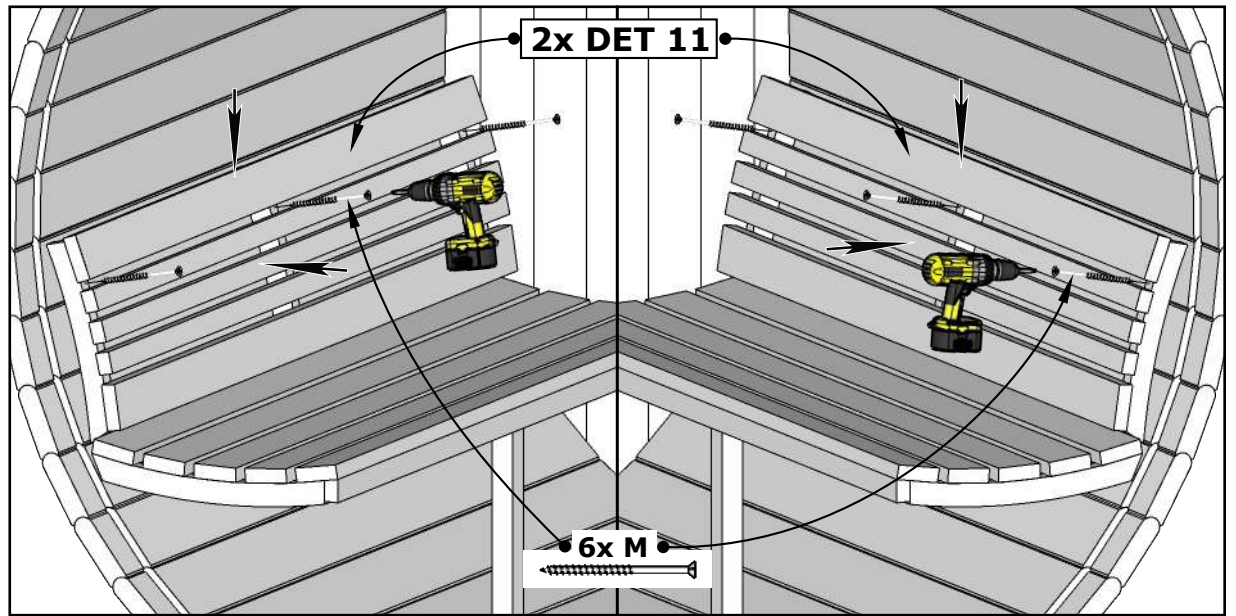
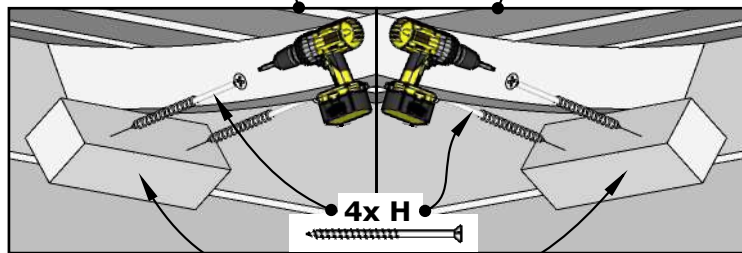
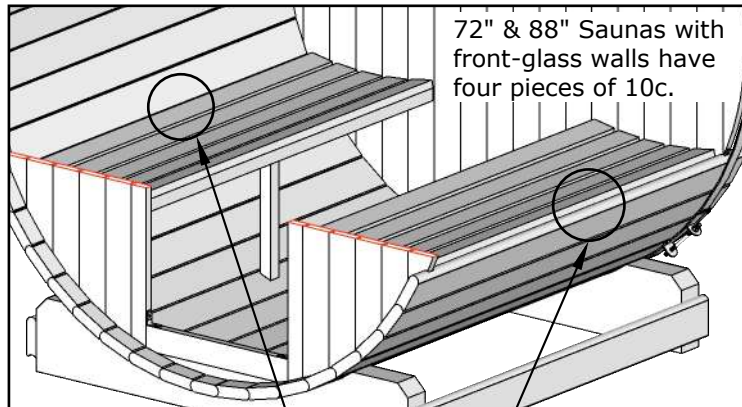
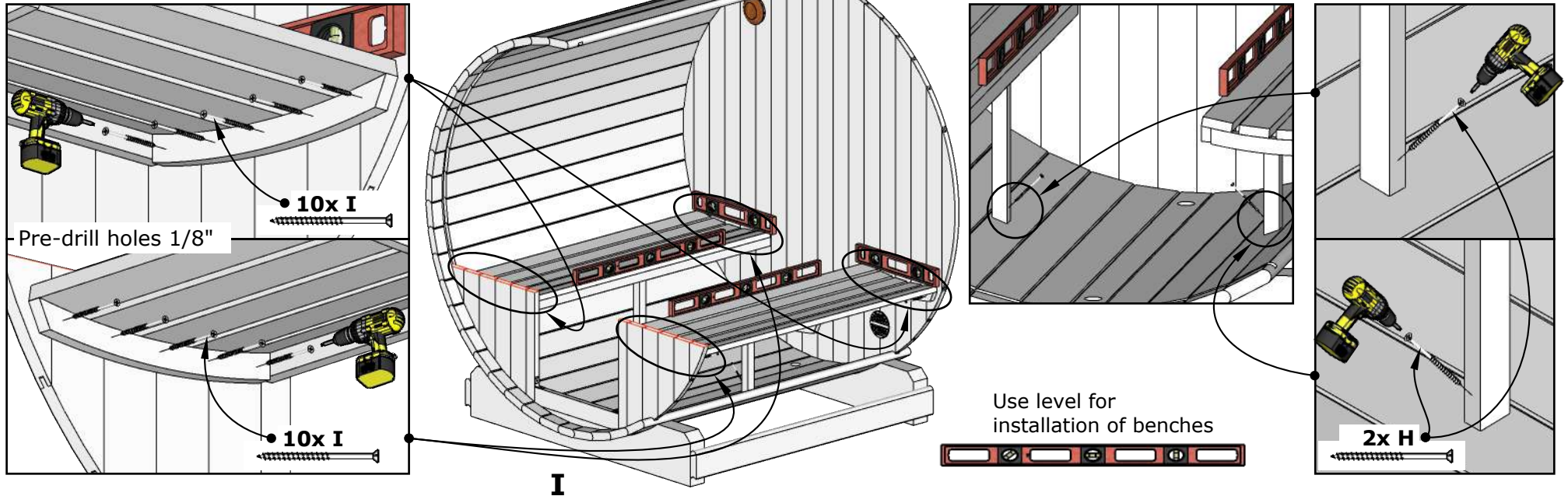


72" and 88" Saunas with front-glass wall have 4 pc. of DET 10a.

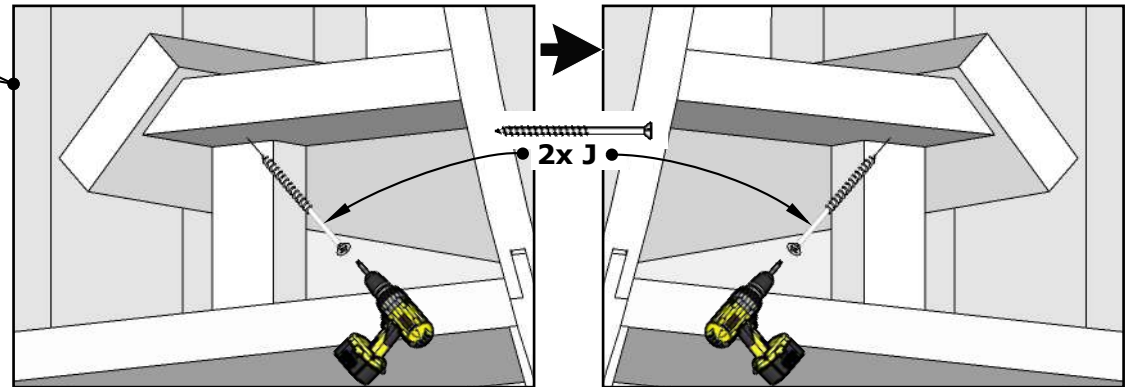
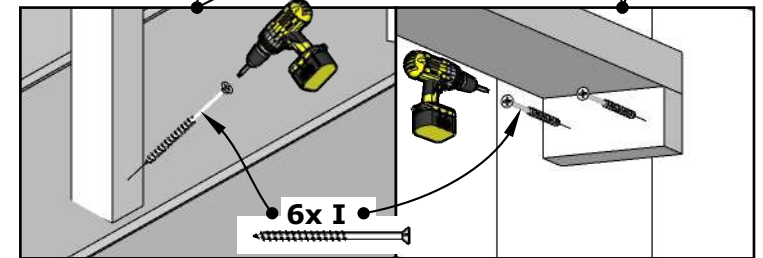
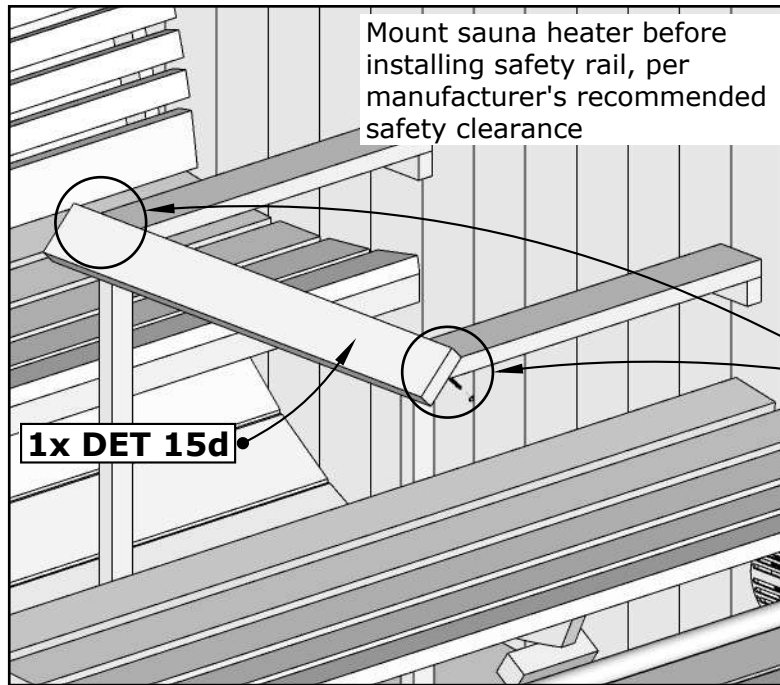
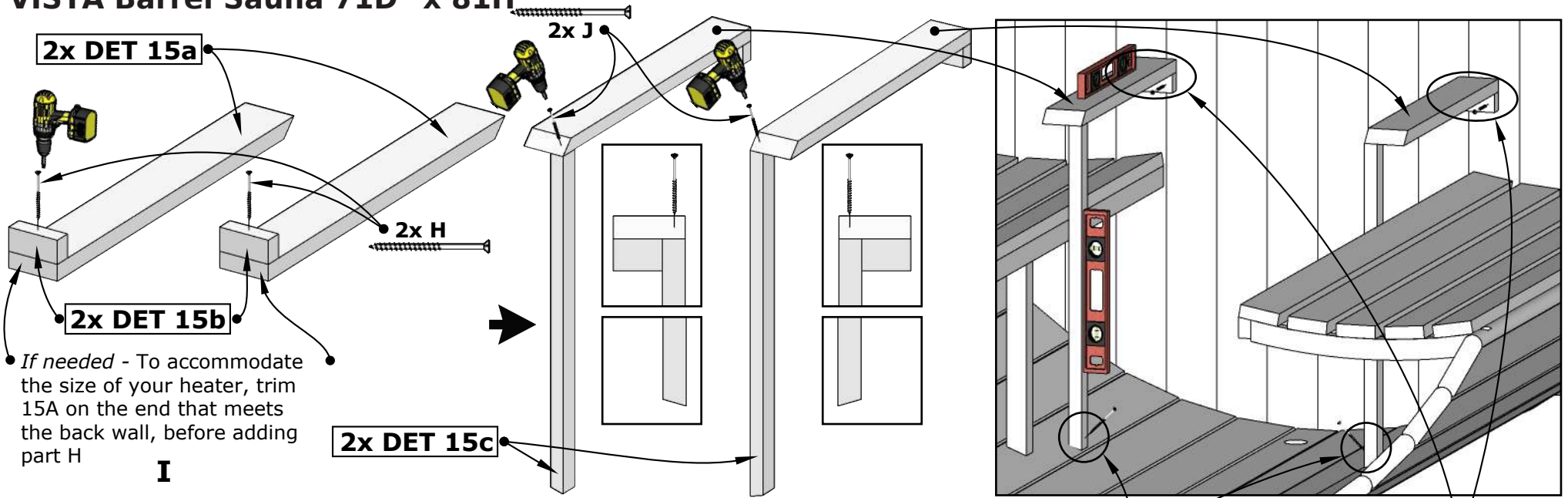
8.

II

VISTA Barrel Sauna 71D" x 81H"

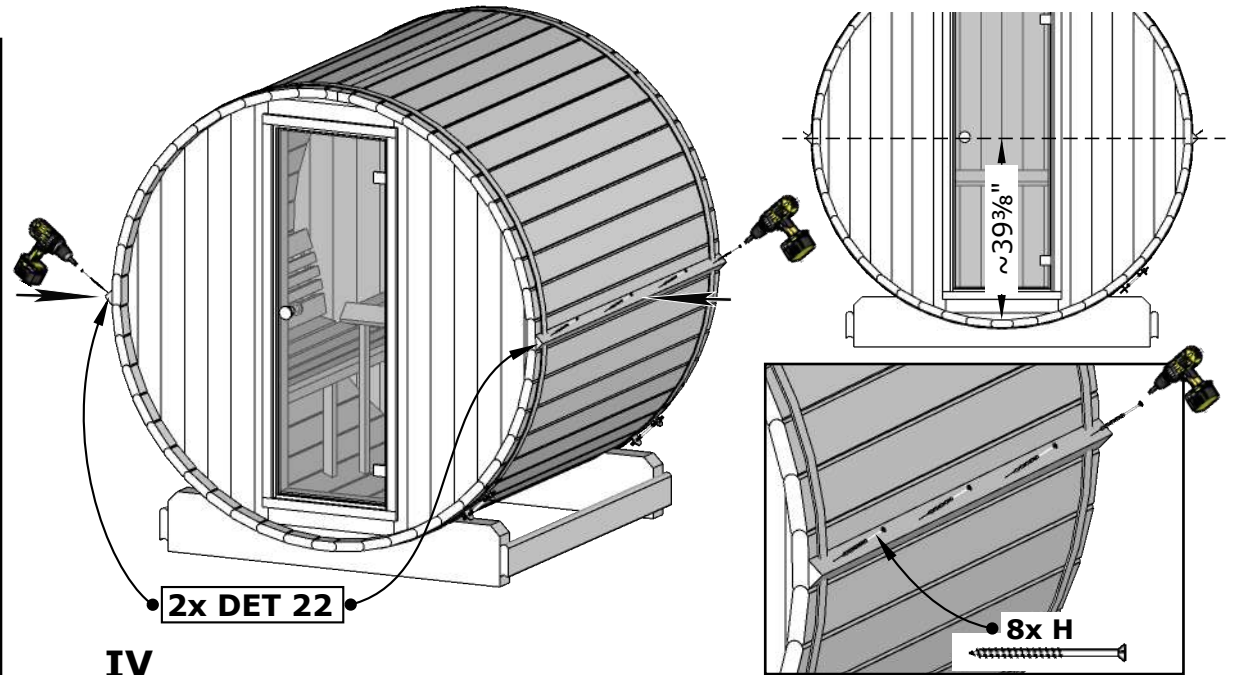
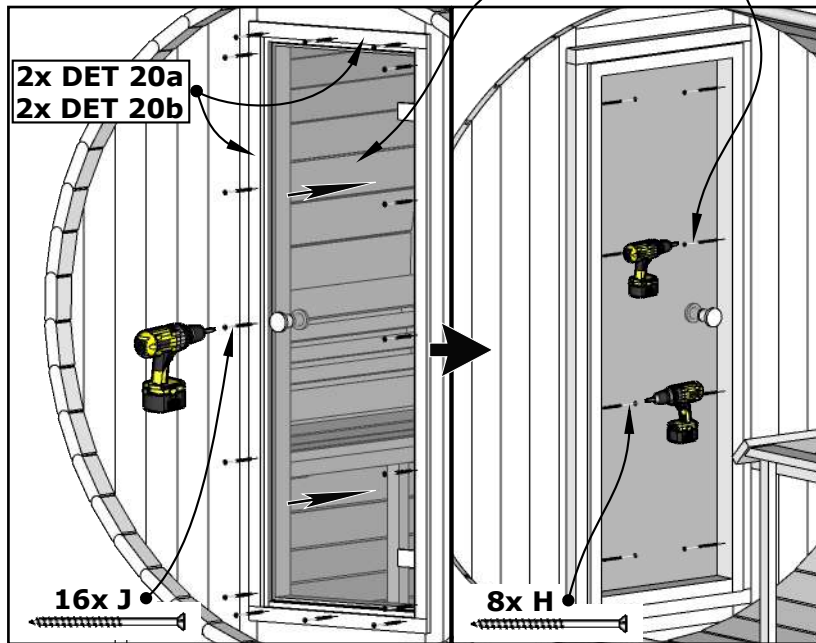
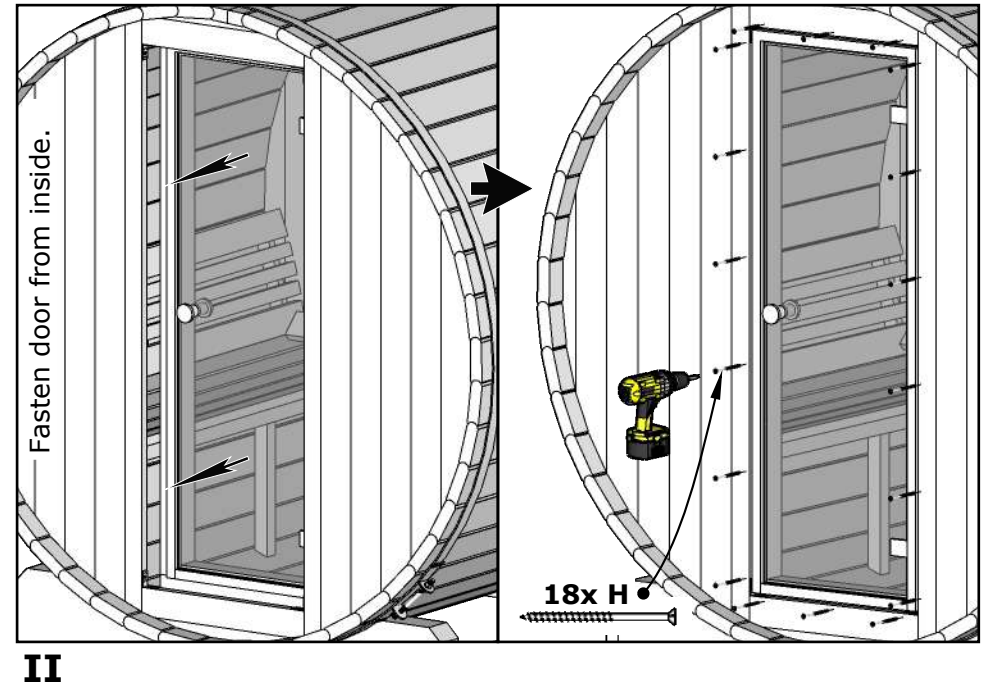
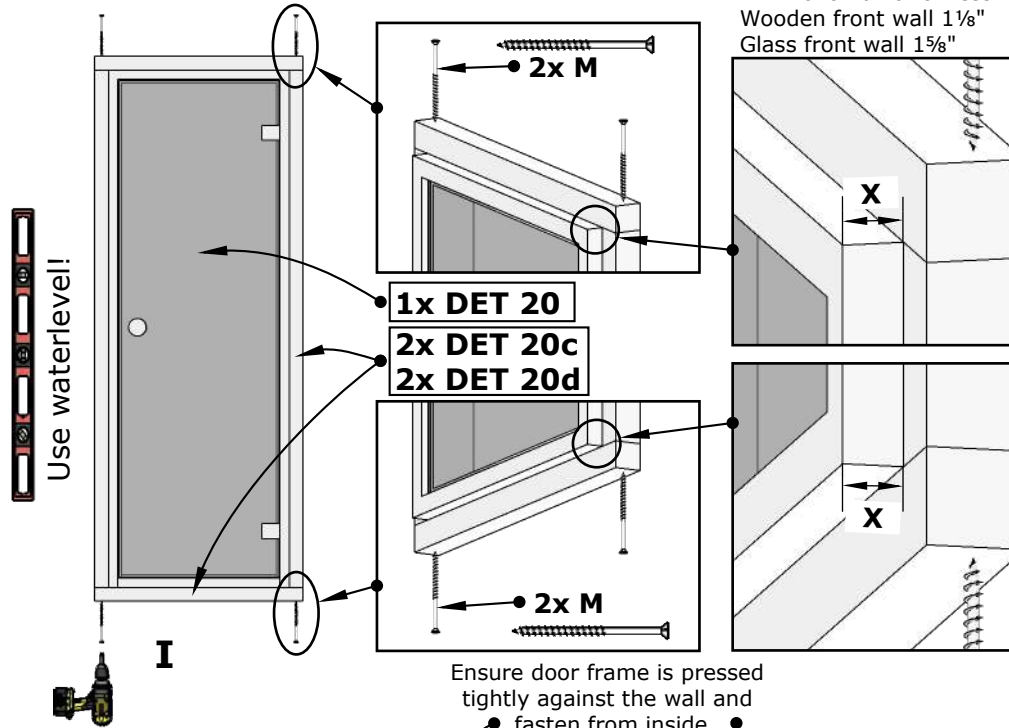


VISTA Barrel Sauna 71D" x 81H"



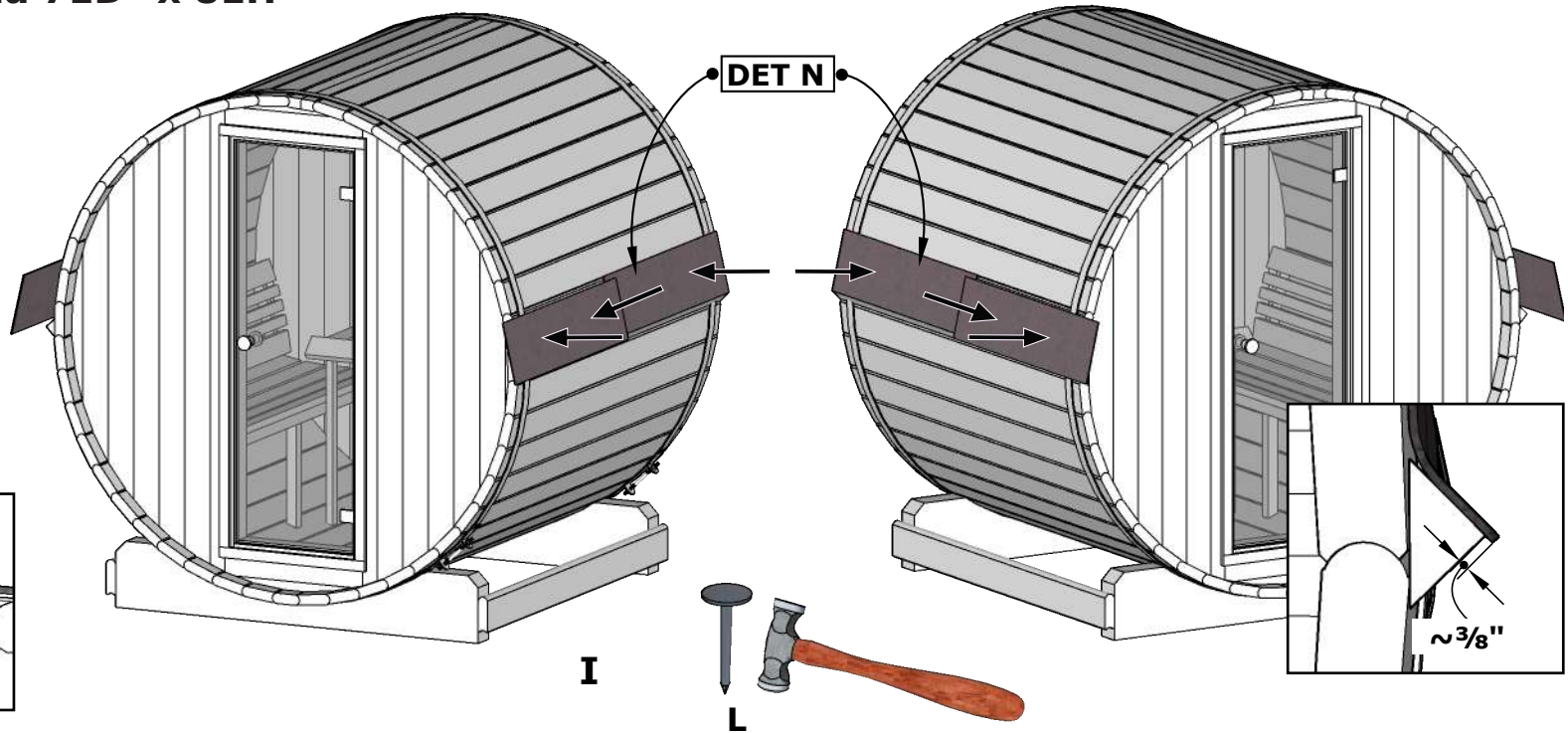
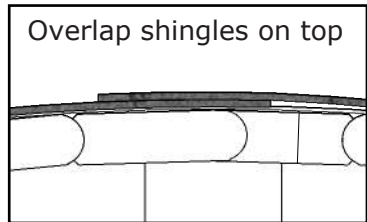
VISTA Barrel Sauna 71D" x 81H"

X= Front wall thickness
 Wooden front wall 1 1/8"
 Glass front wall 1 5/8"

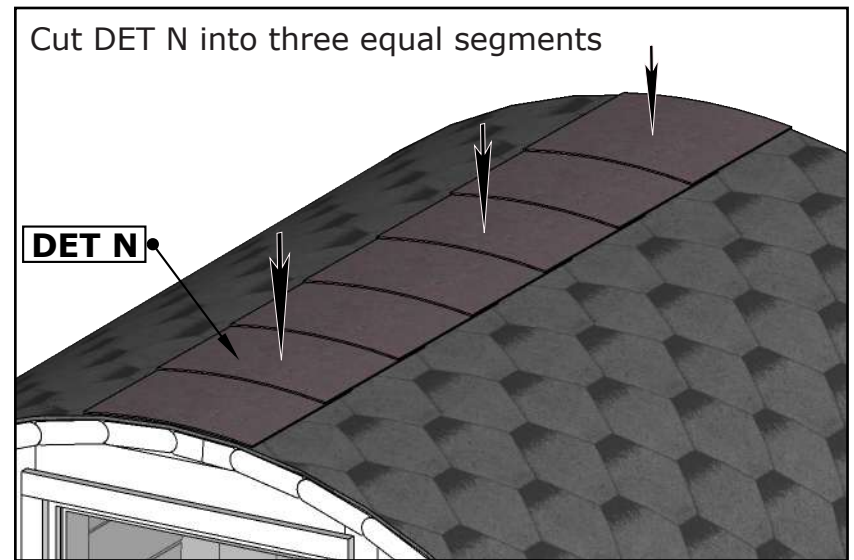
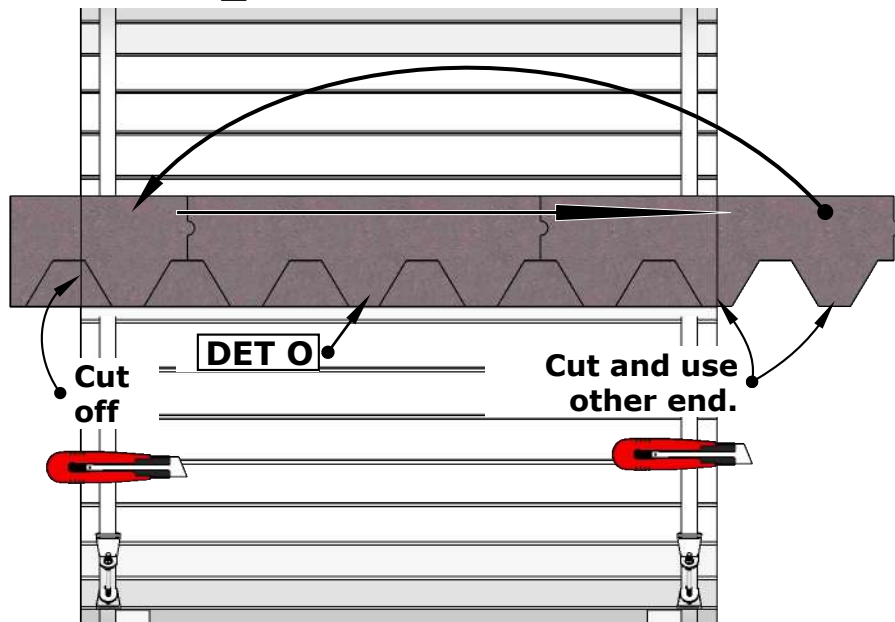


VISTA Barrel Sauna 71D" x 81H"

See the installation manual inside the shingles package



Check also roof shingles installation manual inside package.



VISTA Barrel Sauna 71D" x 81H"

