

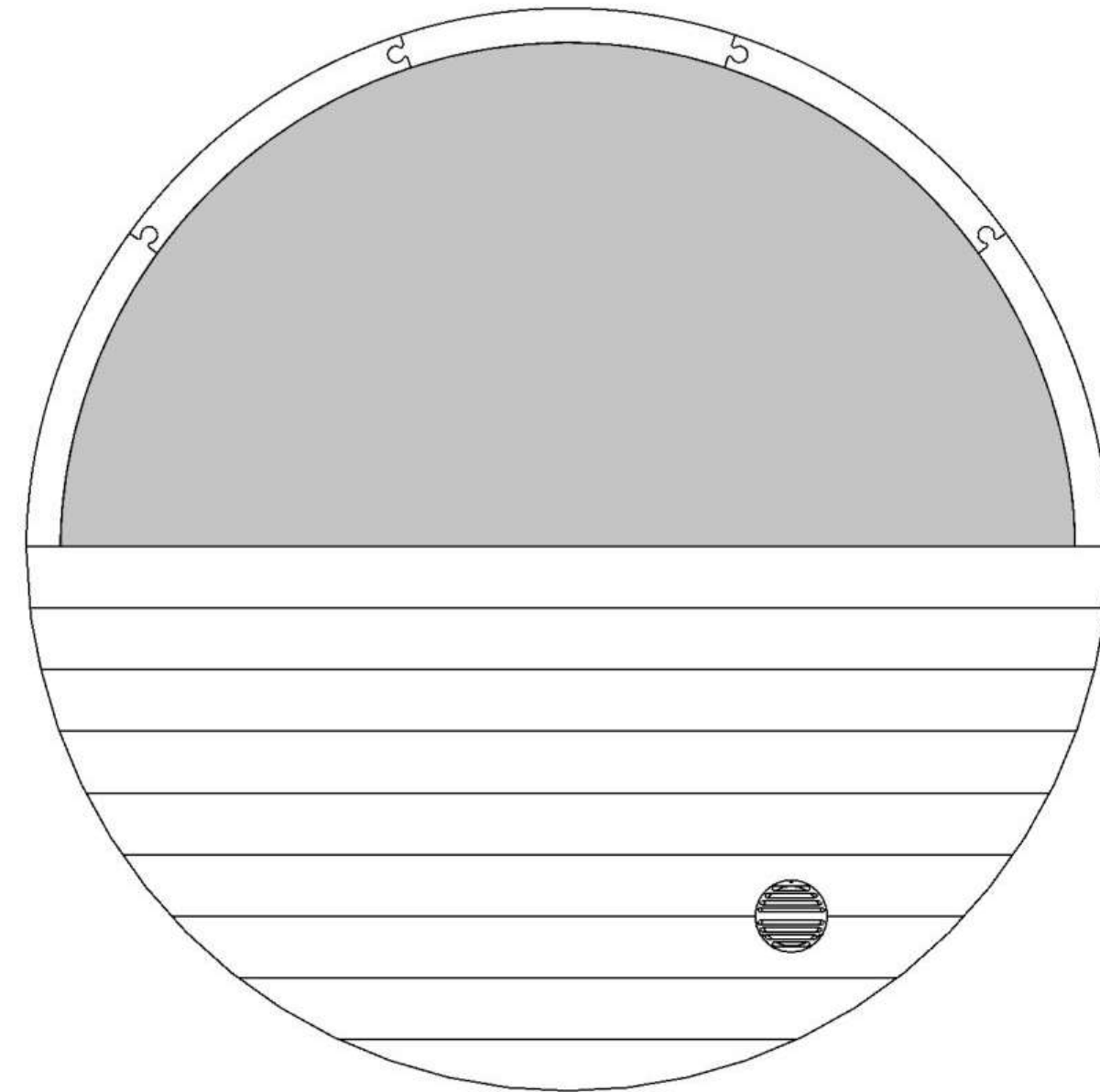
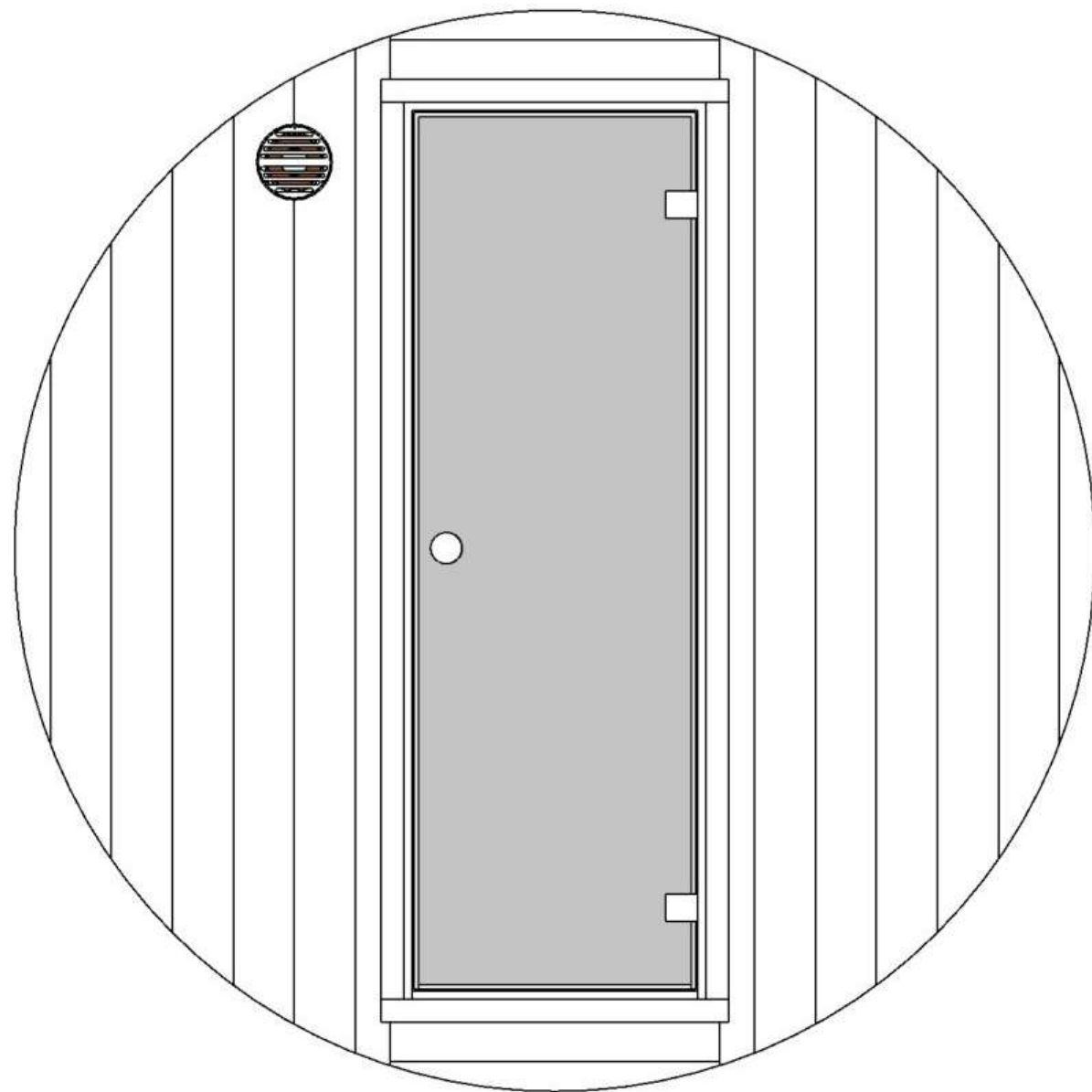


# SUBLIME WITH WINDOW 6-PERSON BARREL SAUNA

## OWNER'S MANUAL

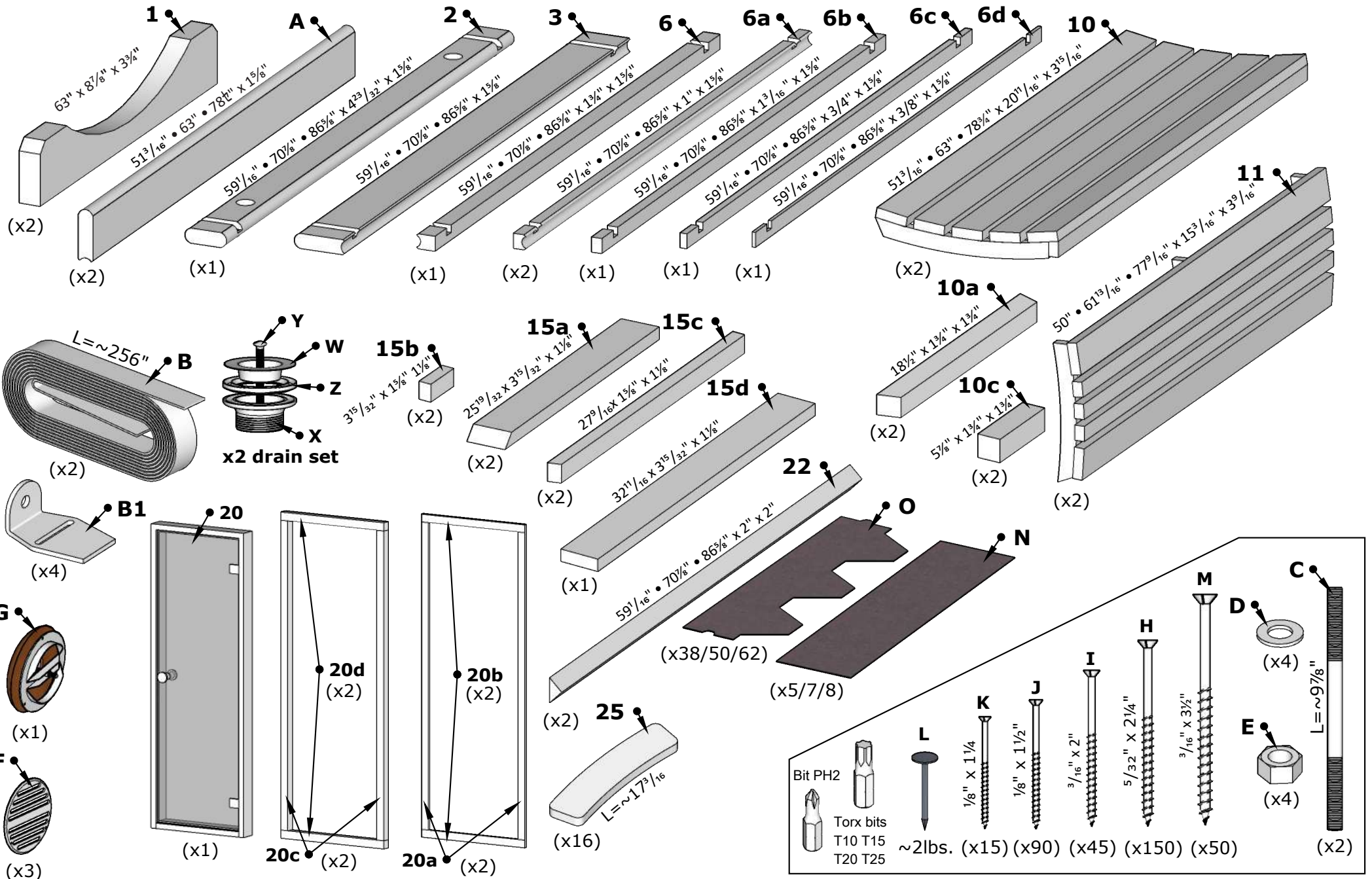
**WARNING!** Do not place anything combustible close to heater, above the heater, and on both sides of the heater. This includes but not limited to towels, lights, robe hooks, accessories, etc. Nothing should be on the same wall as your heater that is combustible.

# Front & Back Walls

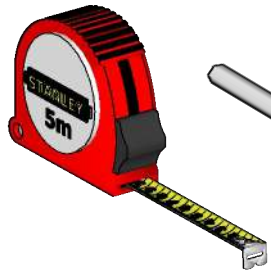


# SUBLIME WITH WINDOW Barrel Sauna 87D" x 81H"

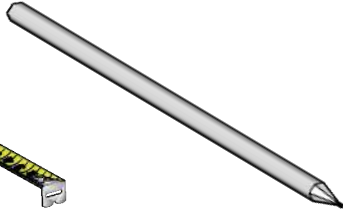
## Details list.



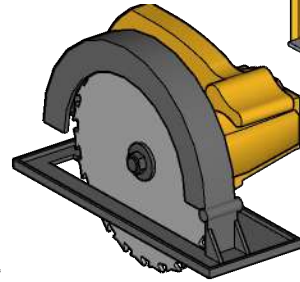
# Tools needed



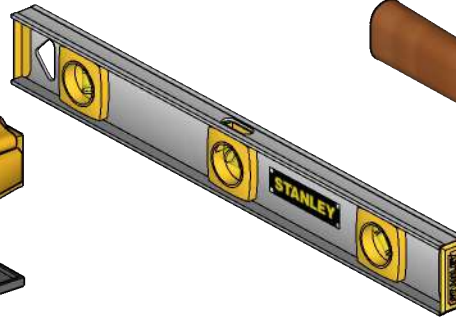
Measuring tape



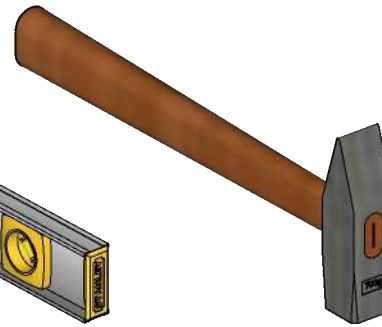
Marker pen



Circular saw



Water level



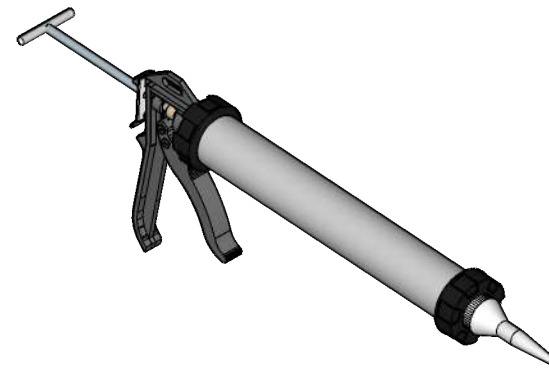
Hammer



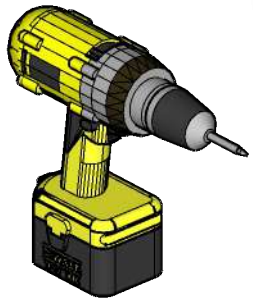
Extra hands



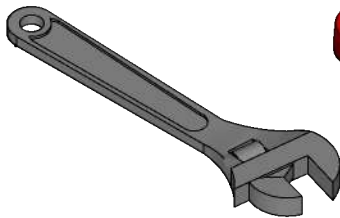
Ratchet strap



Silicone gun  
(Only glass-wall models)



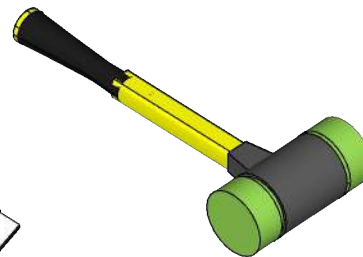
Drill



Crescent wrench

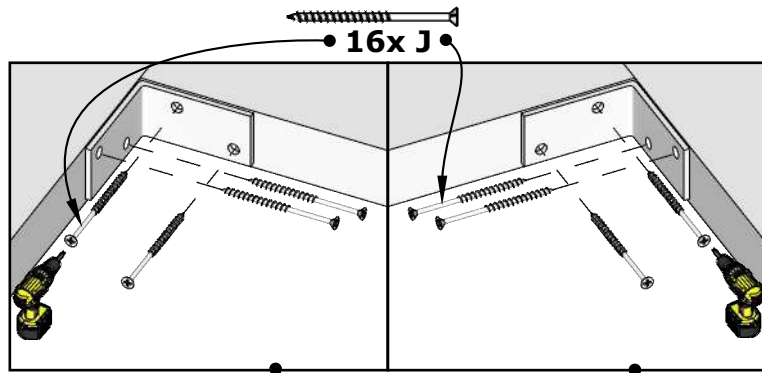
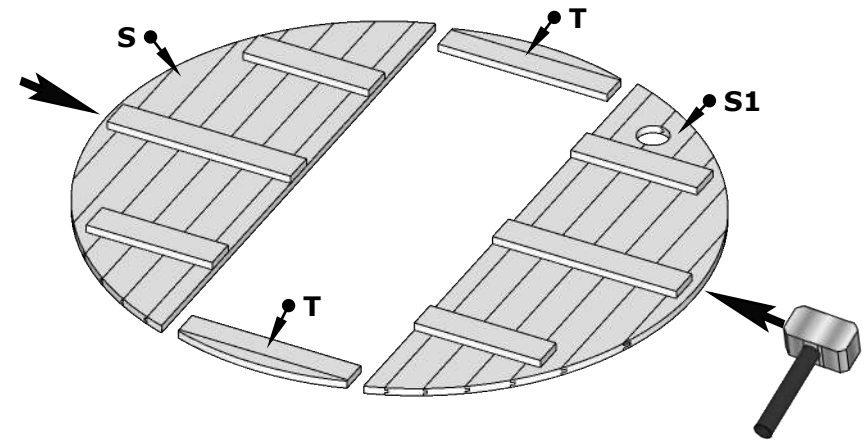
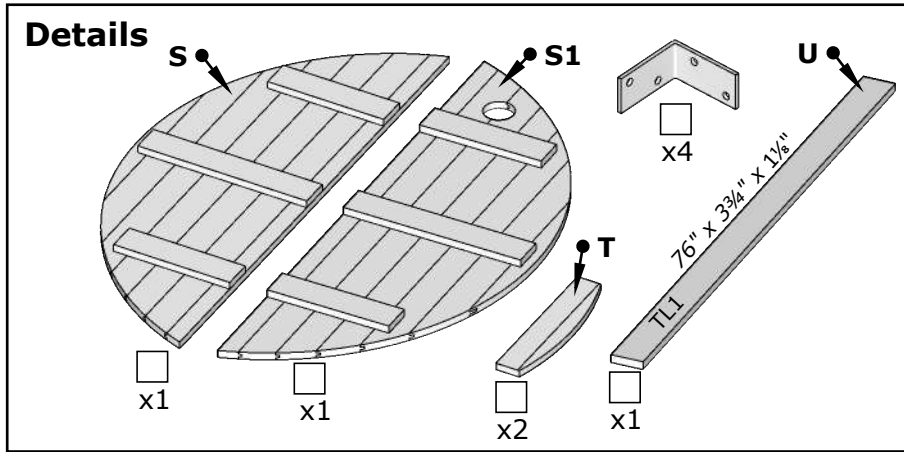


Utility knife

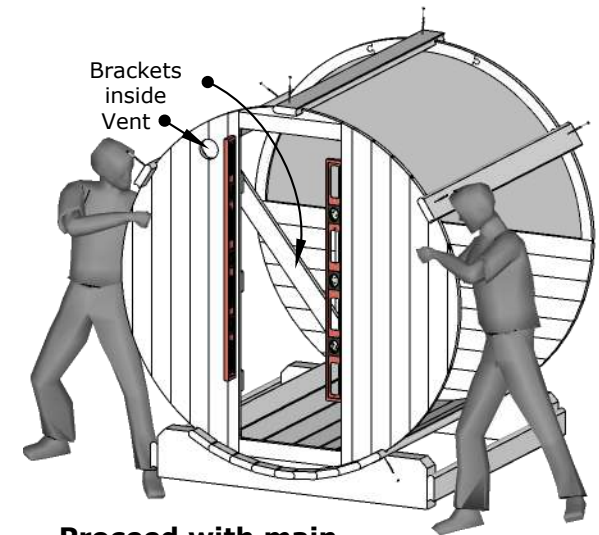
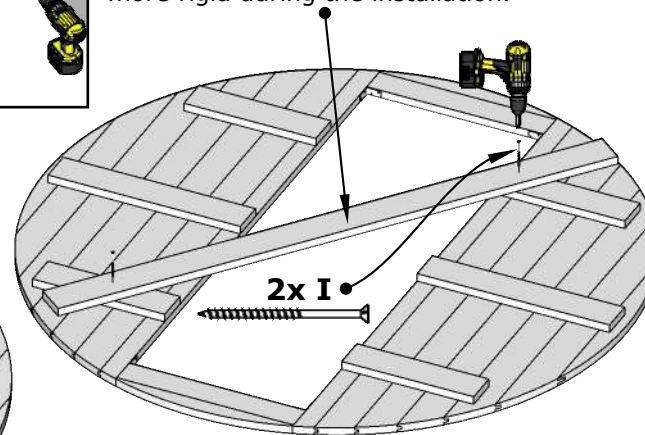


Rubber mallet

# Wooden front wall installation



**DET U** Fix it diagonally to make wall more rigid during the installation.

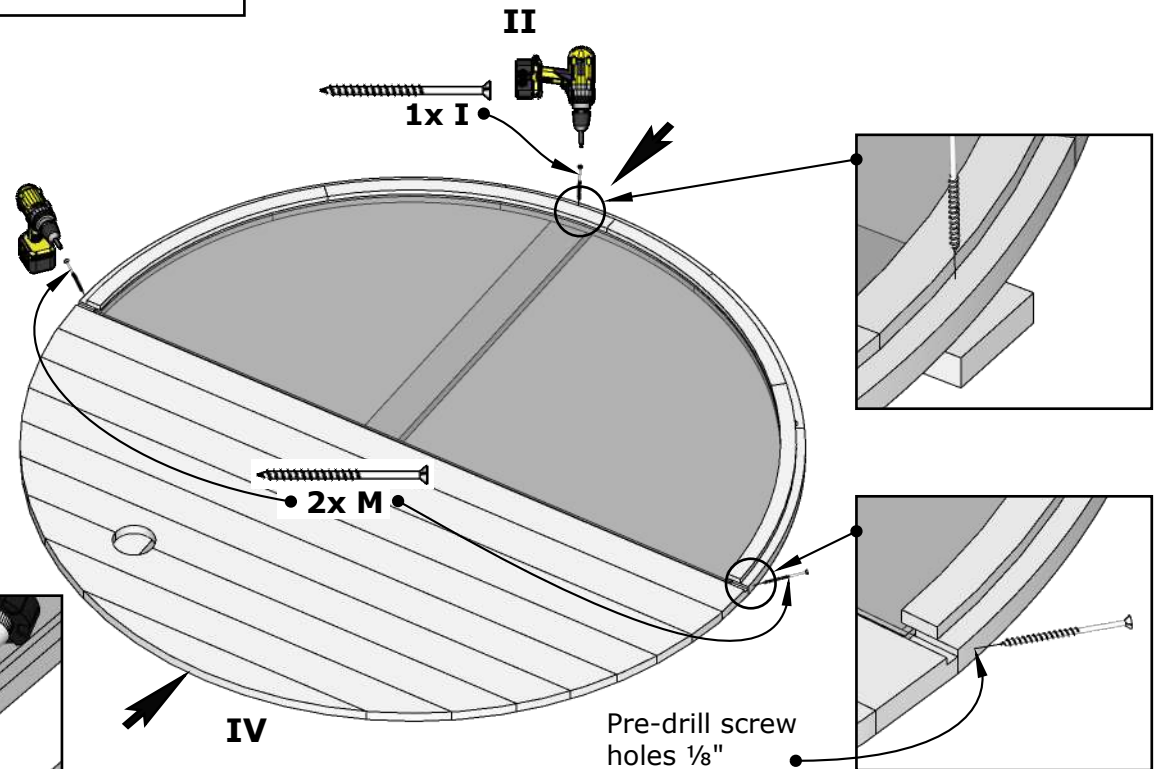
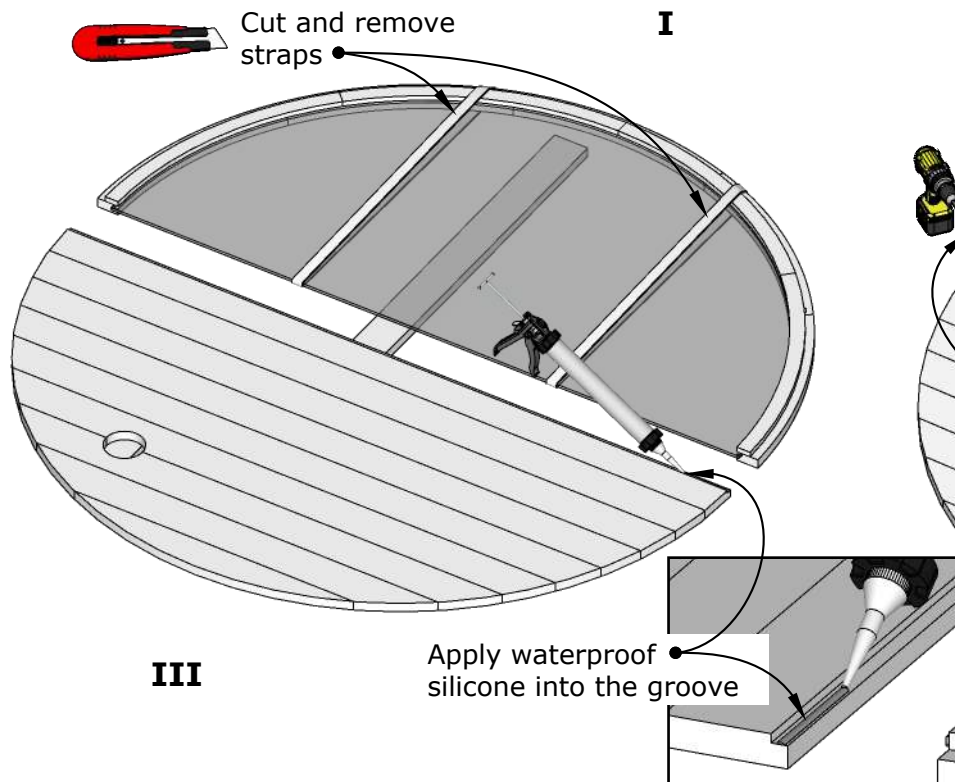
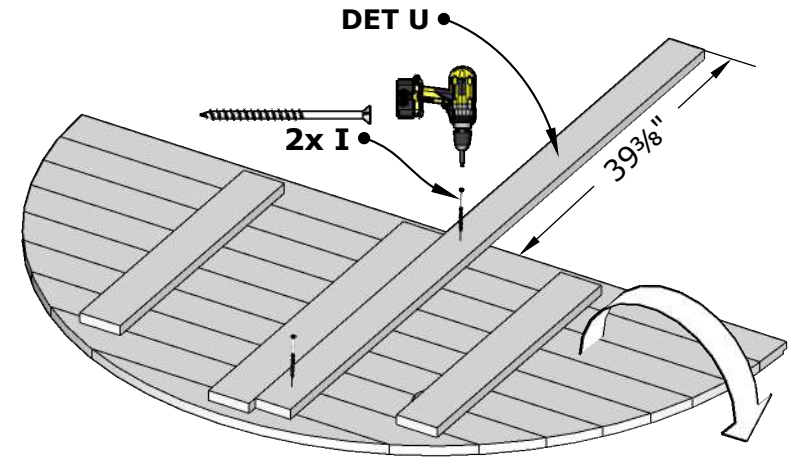
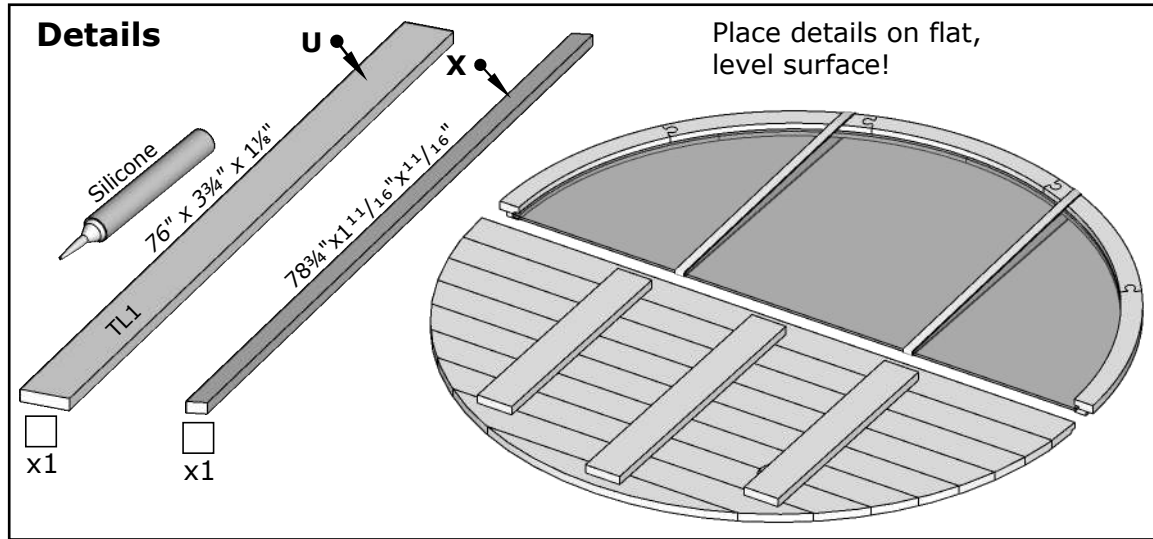


**II**

**III**

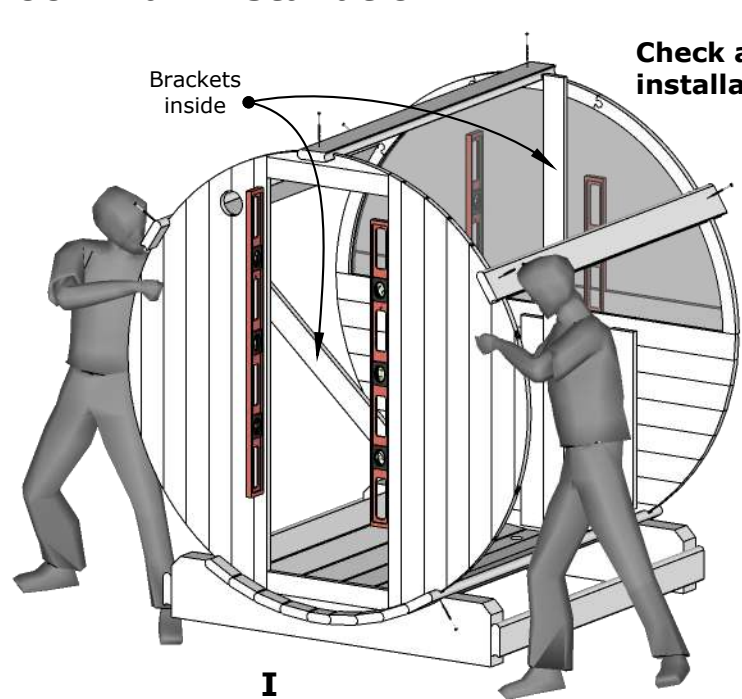
**Proceed with main installation manual!**

# Half-moon wall installation

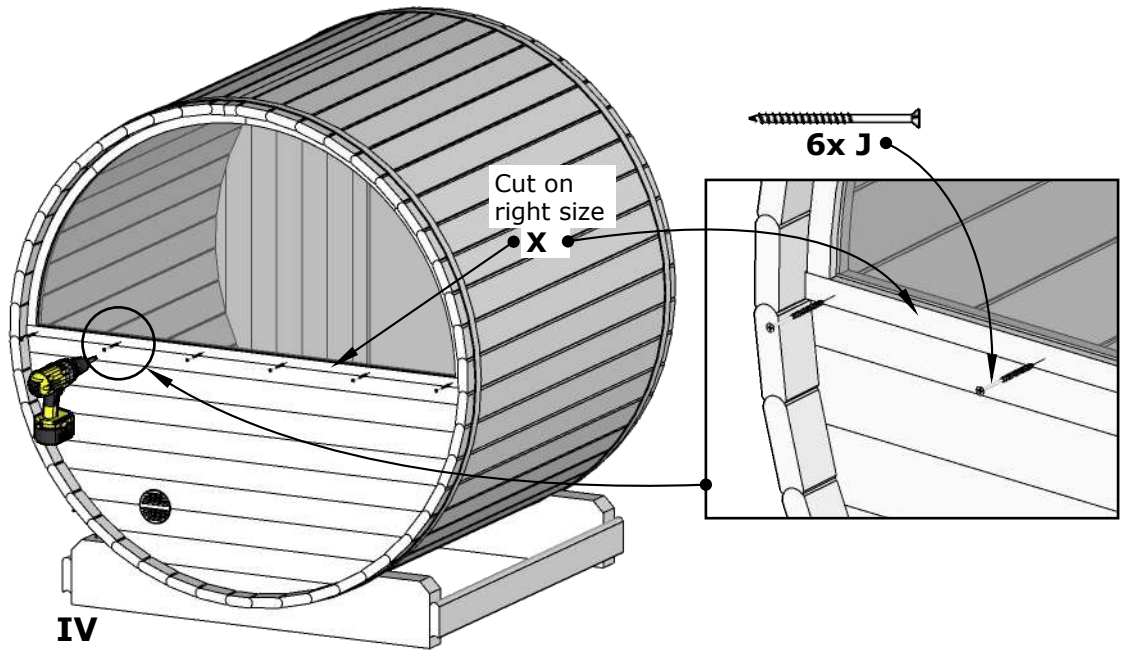
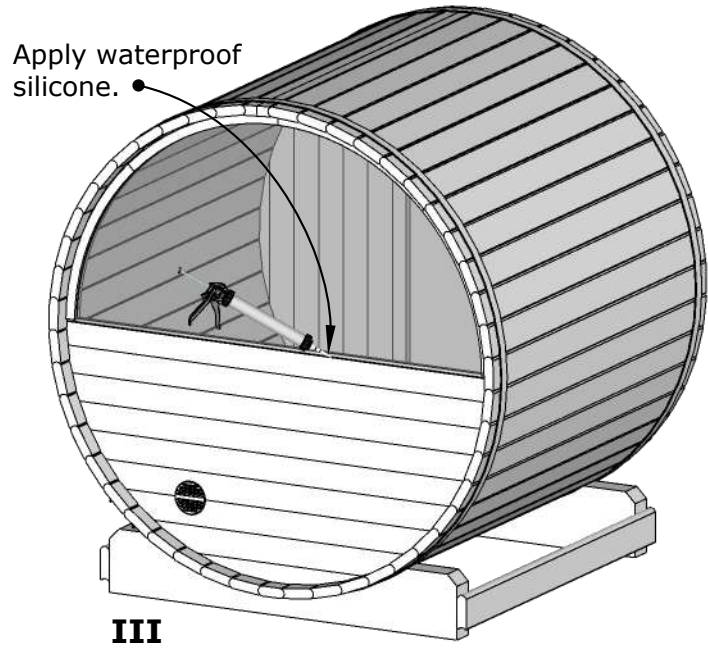
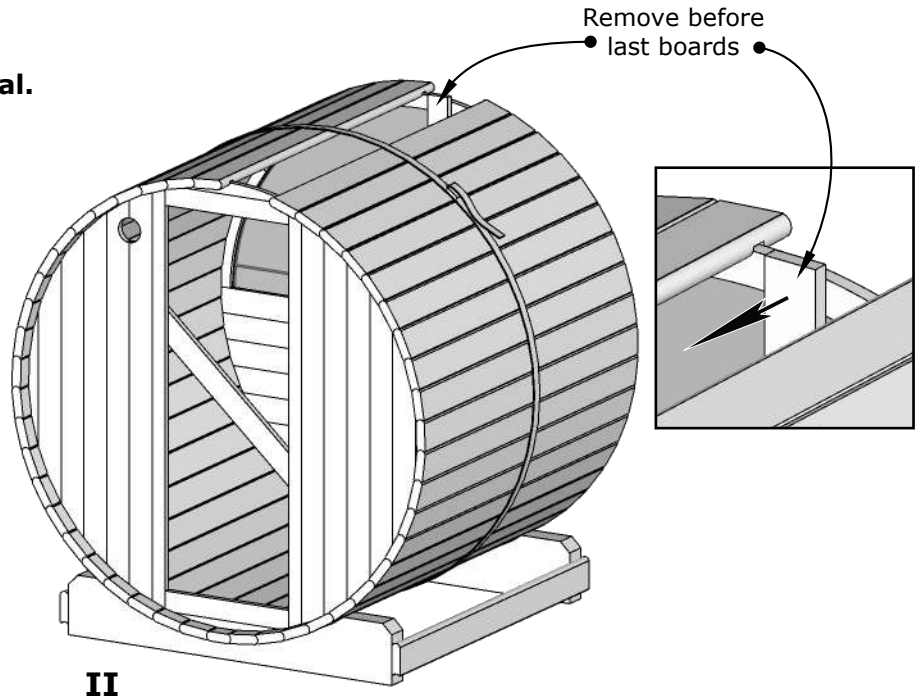


**WARNING:** Do not let screws touch glass!

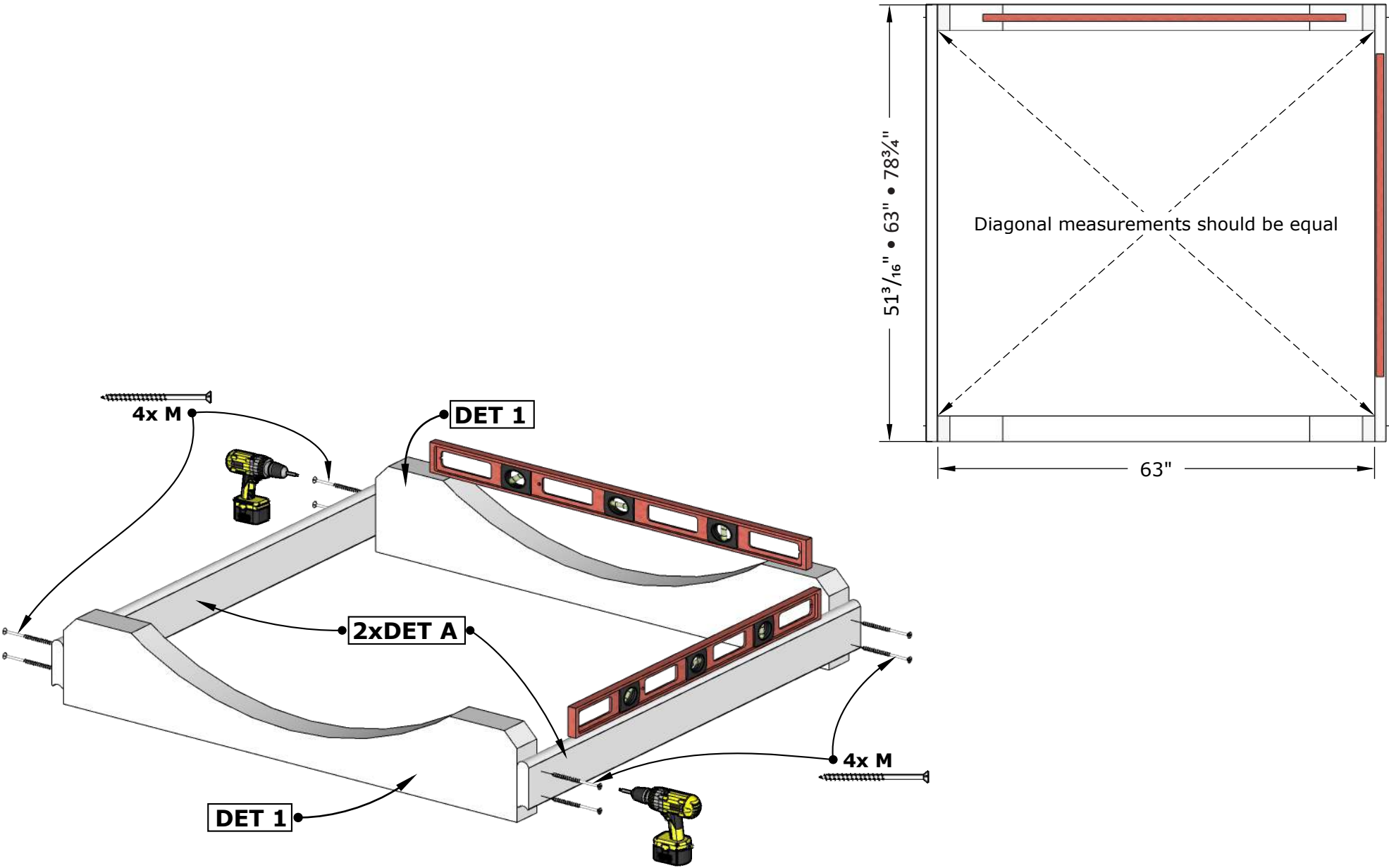
# Half-moon wall installation



Check also main installation manual.



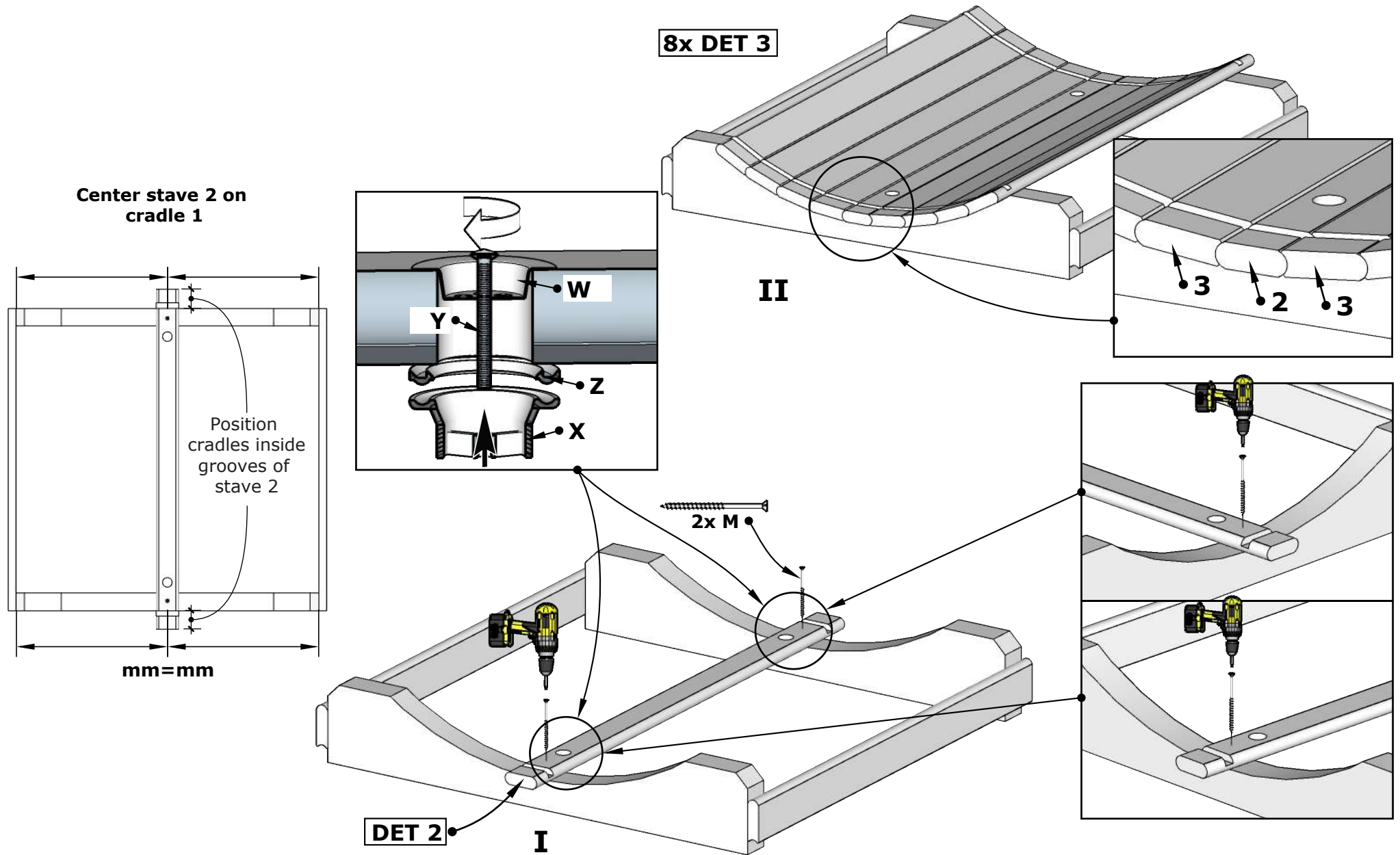
# SUBLIME WITH WINDOW Barrel Sauna 87D" x 81H"



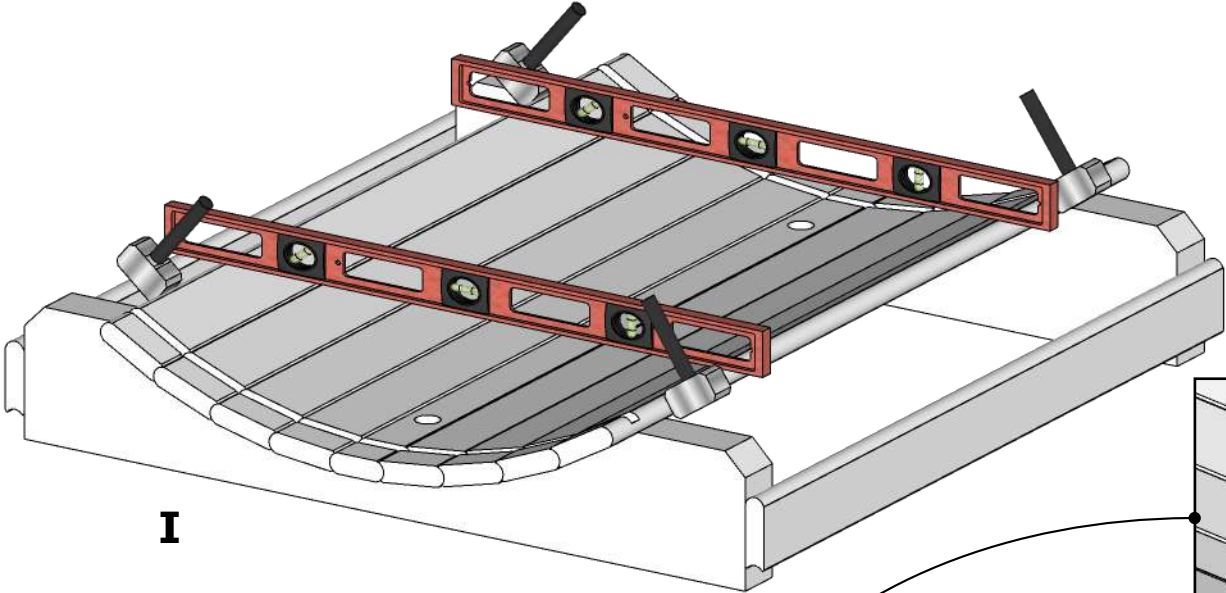
1.



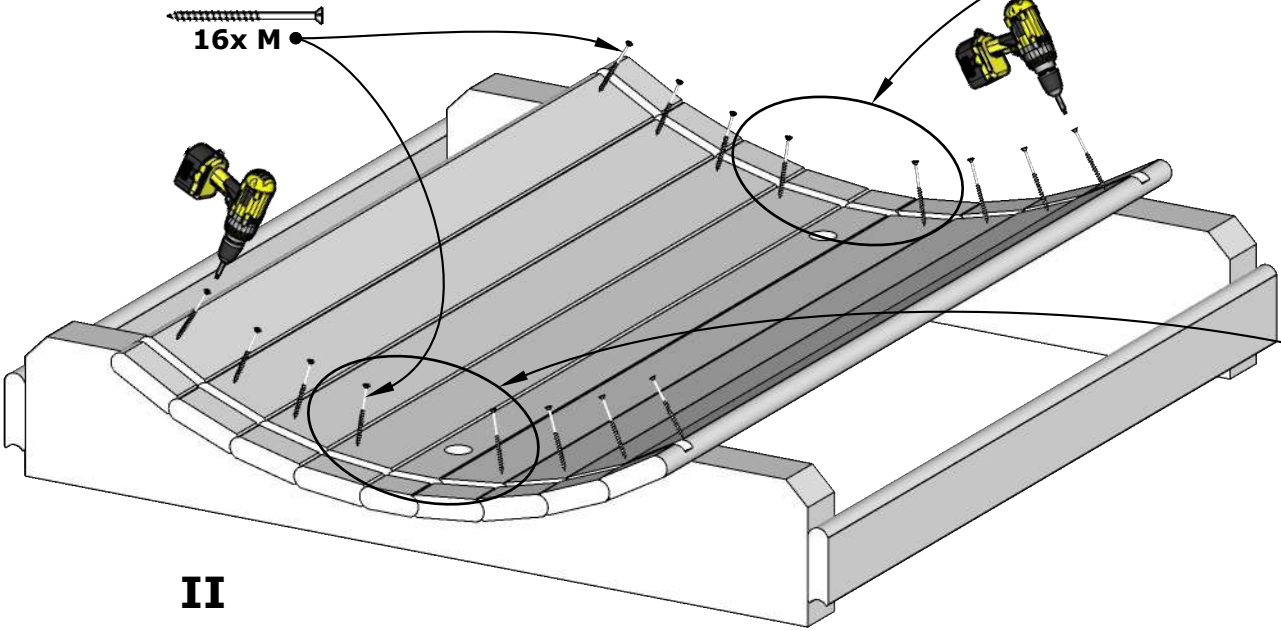
# SUBLIME WITH WINDOW Barrel Sauna 87D" x 81H"



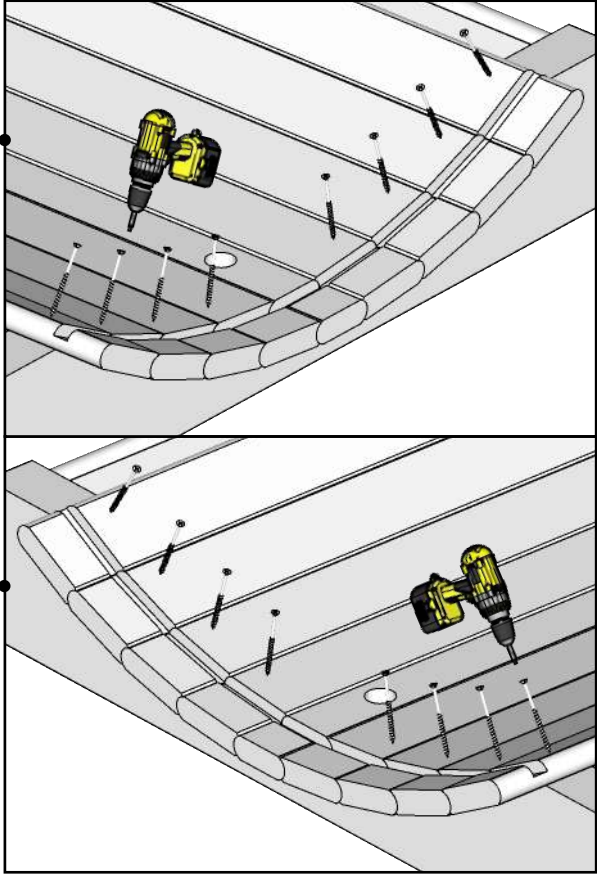
# SUBLIME WITH WINDOW Barrel Sauna 87D" x 81H"



**I**

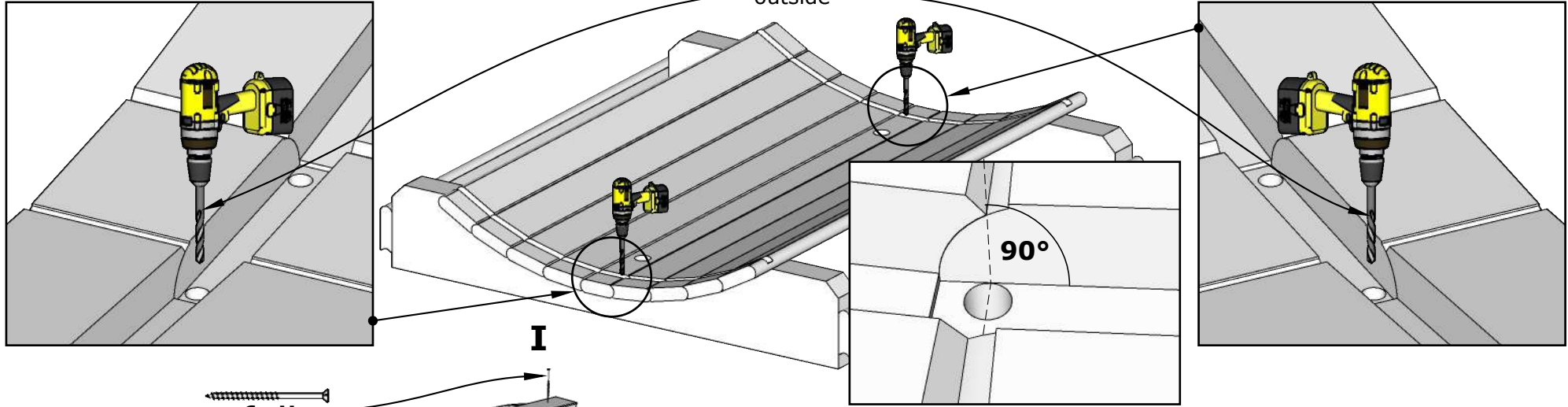


**II**



# SUBLIME WITH WINDOW Barrel Sauna 87D" x 81H"

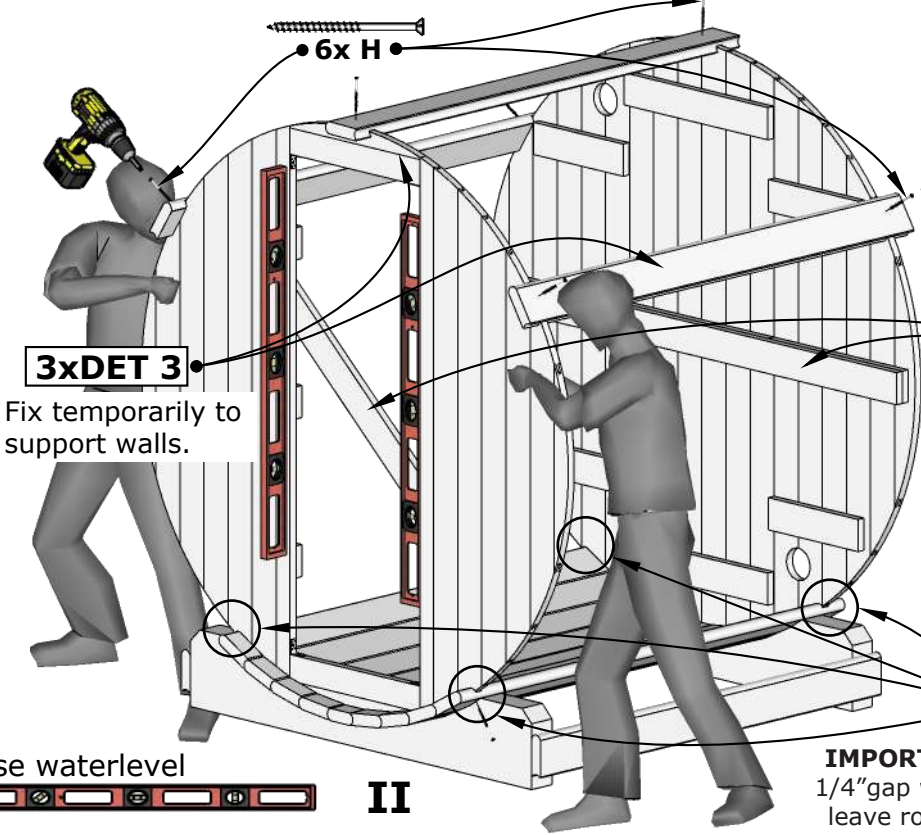
Drill 4 holes  $\varnothing 1/2"$   
through DET 2  
outside



**I**

**Check walls installation manual on extra pages!**

**Sauna wall configuration depends on Your model!**



**3xDET 3**

Fix temporarily to support walls.

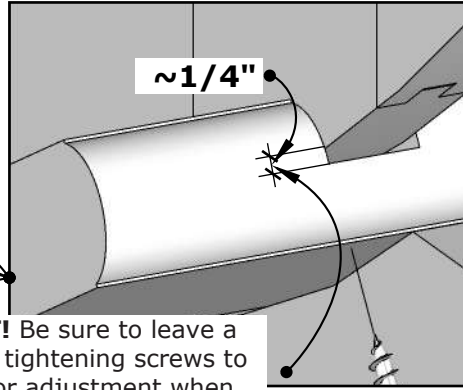
**6x H**

Brackets inside

Use waterlevel

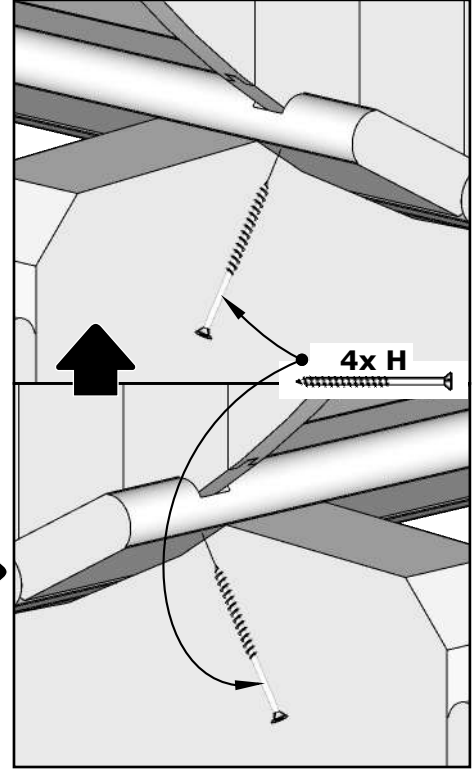


**II**



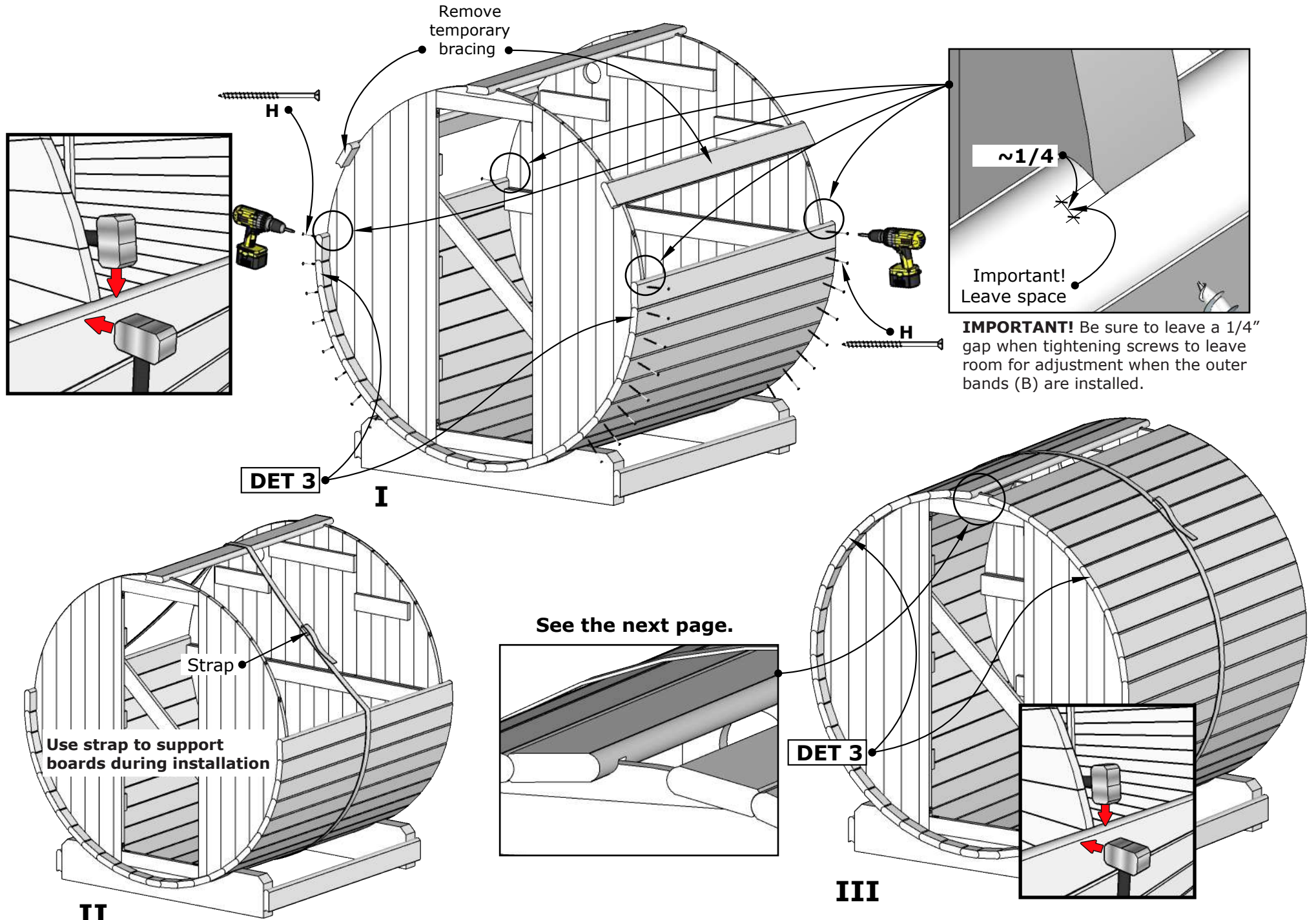
$\sim 1/4"$

**IMPORTANT!** Be sure to leave a 1/4" gap when tightening screws to leave room for adjustment when the outer bands (B) are installed.

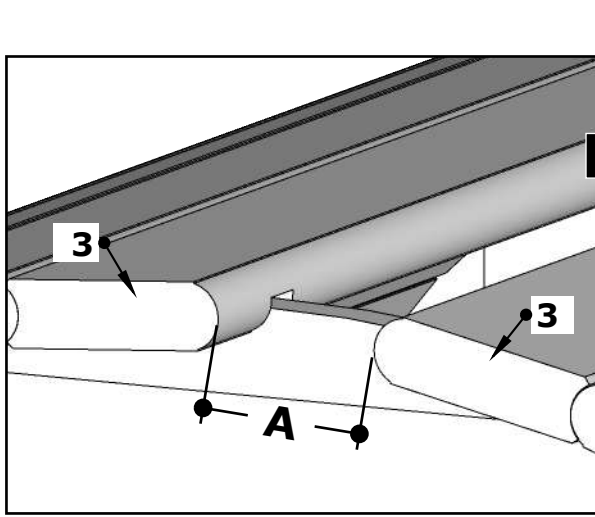


**4x H**

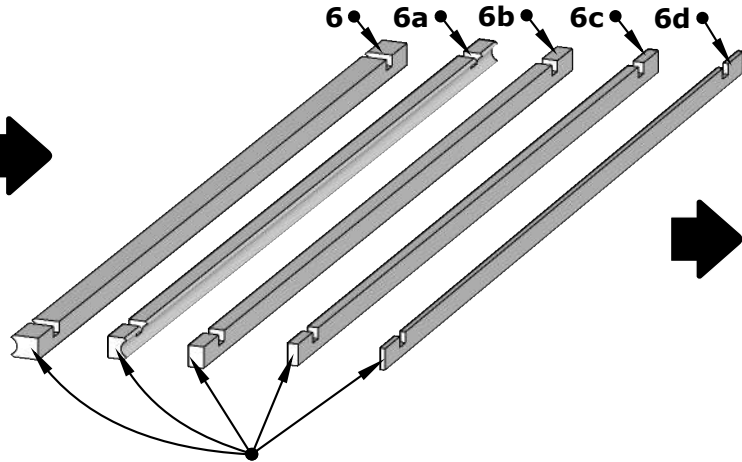
# SUBLIME WITH WINDOW Barrel Sauna 87D" x 81H"



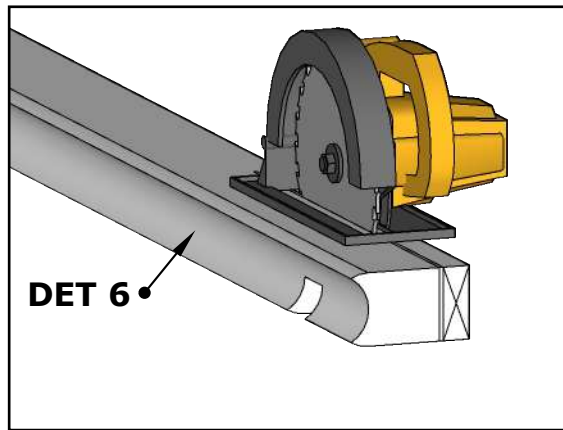
# SUBLIME WITH WINDOW Barrel Sauna 87D" x 81H"



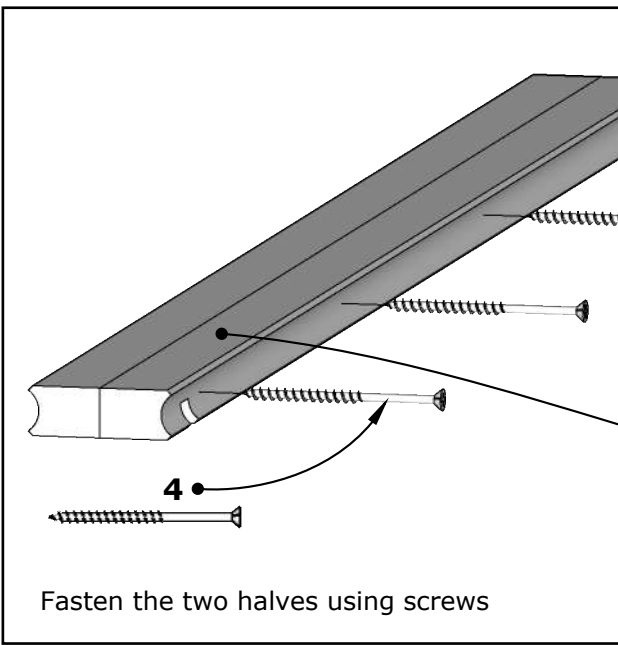
**I**



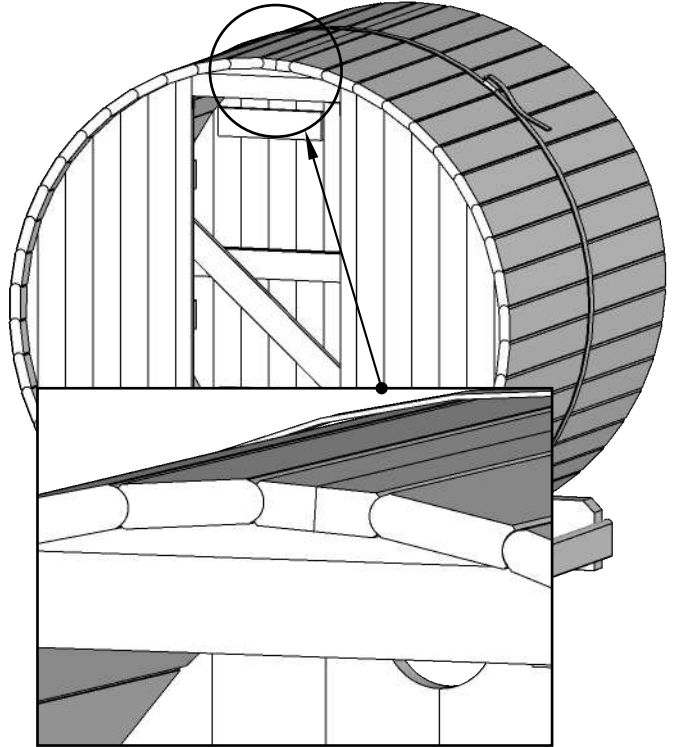
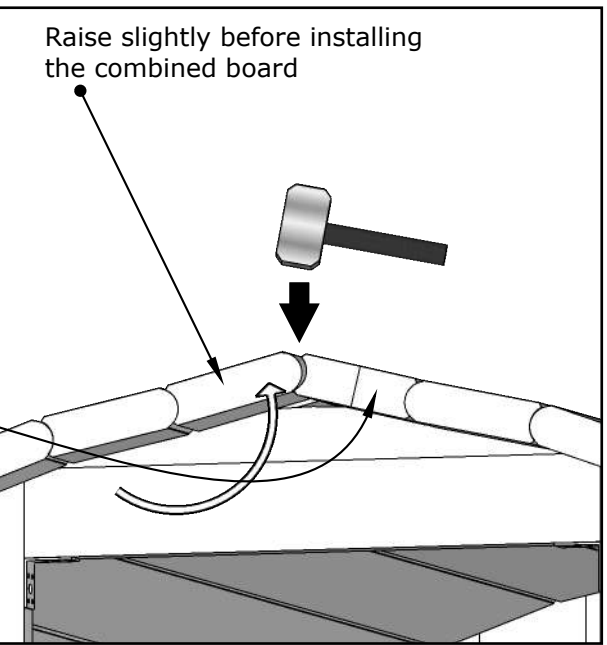
Join two boards together (as shown in diagram II) that will bridge the width of the "A" gap. It is recommended that the combined boards are approximately 1/4" wider than the gap.



If needed, trim the flat edge of the board to create the desired width.

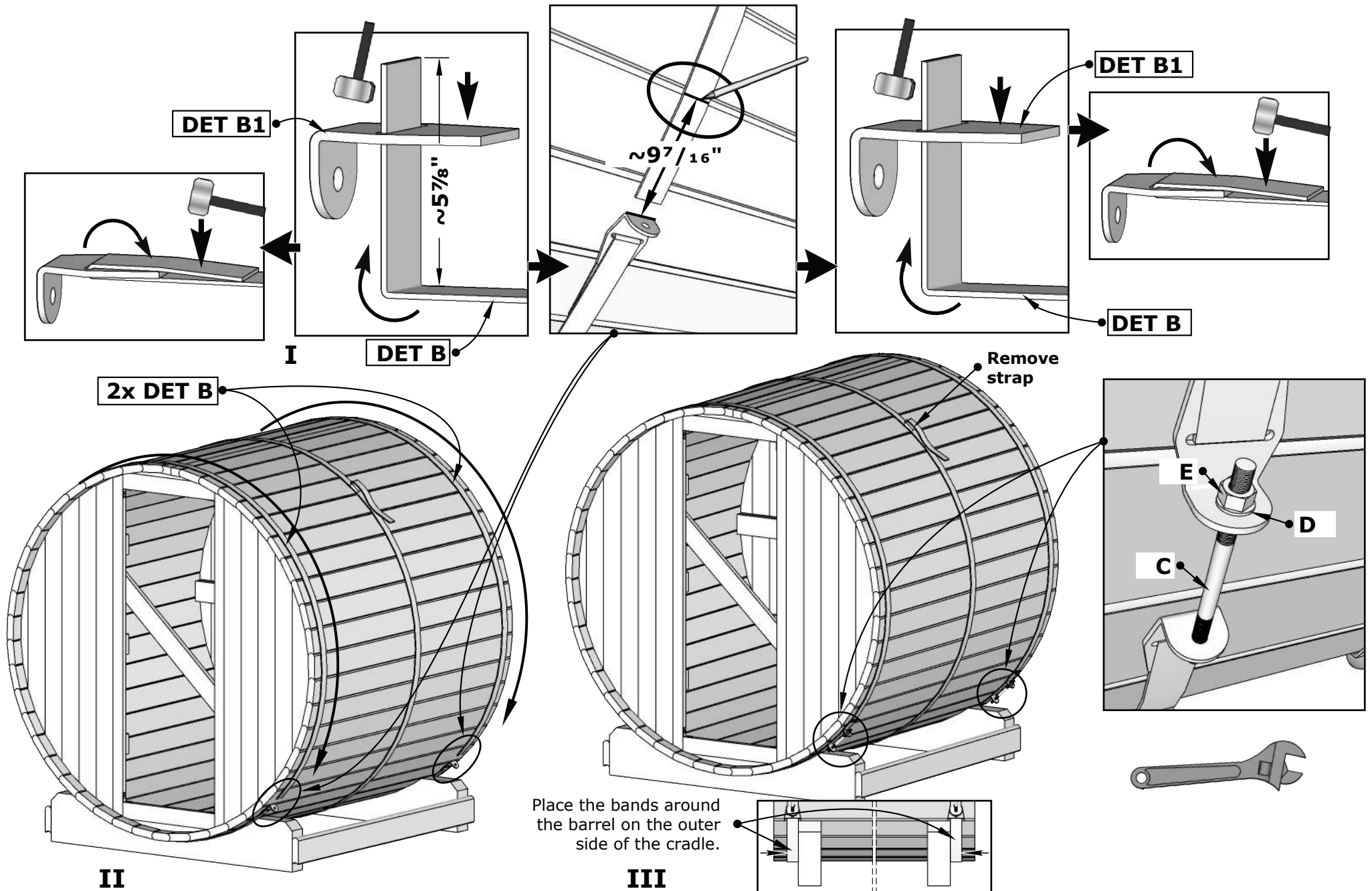


**II**



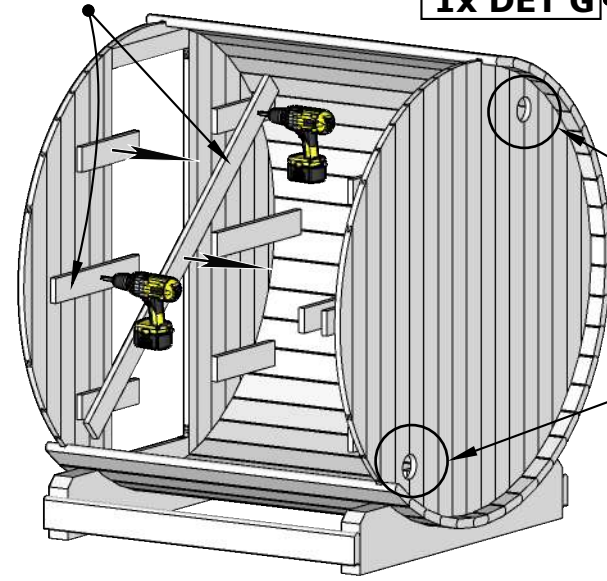
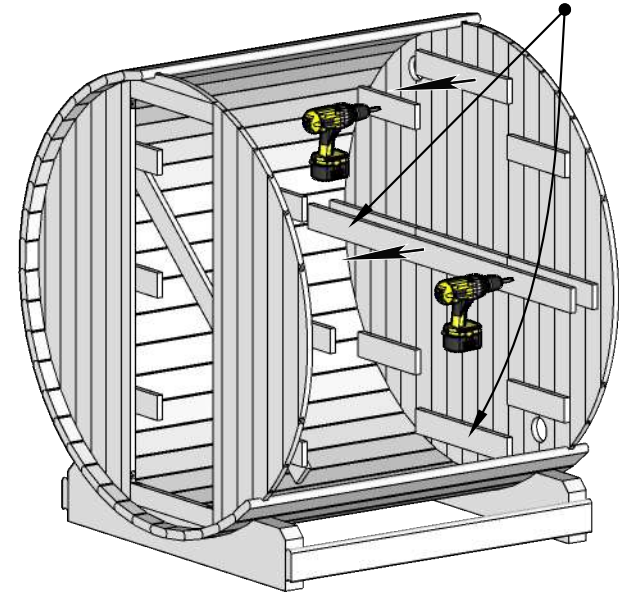
**III**

# SUBLIME WITH WINDOW Barrel Sauna 87D" x 81H"

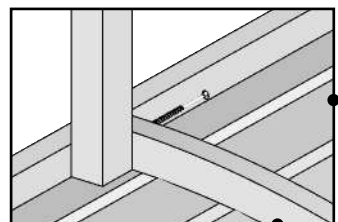
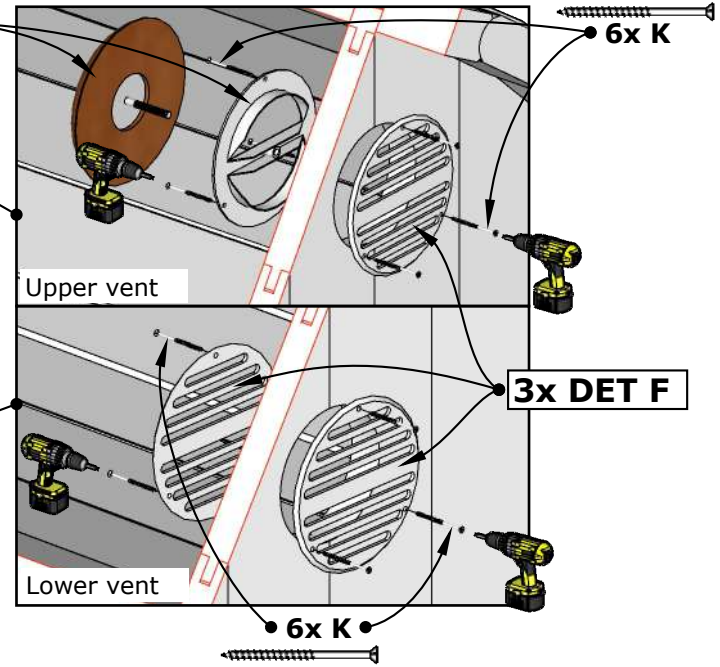


# SUBLIME WITH WINDOW Barrel Sauna 87D" x 81H"

Remove all temporary braces



1x DET G



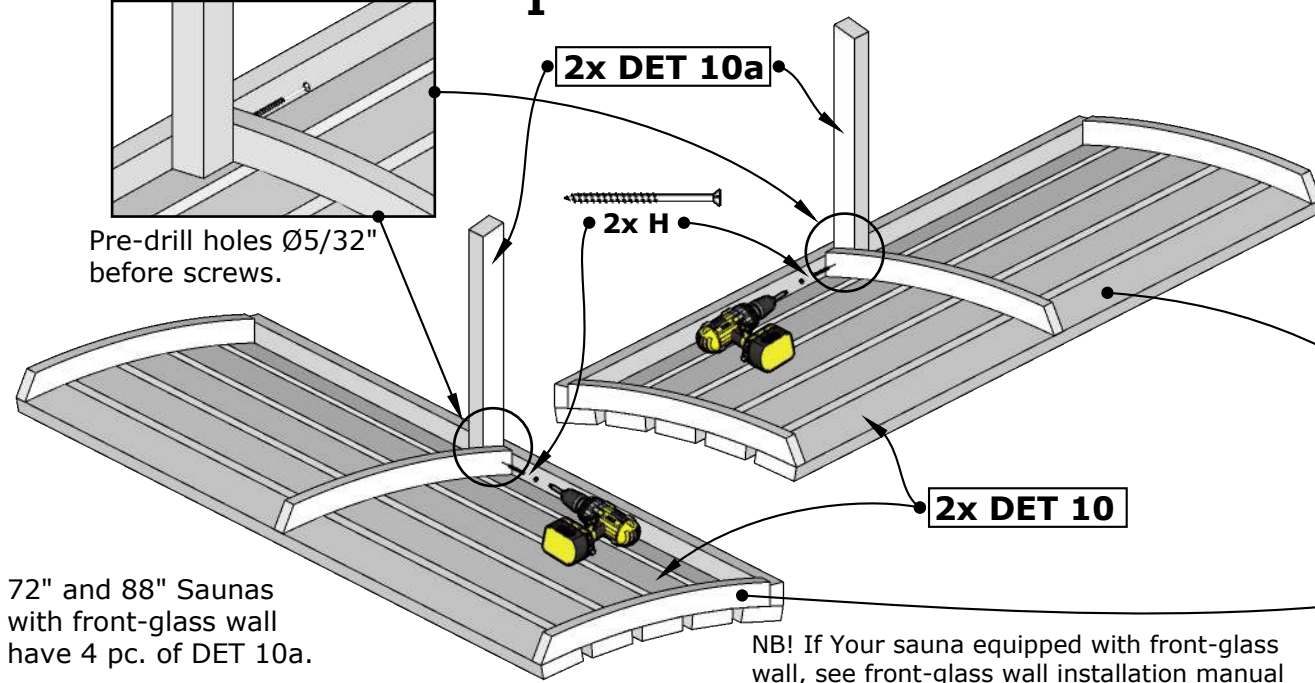
Pre-drill holes Ø5/32" before screws.

I

2x DET 10a

2x H

2x DET 10



72" and 88" Saunas with front-glass wall have 4 pc. of DET 10a.

II

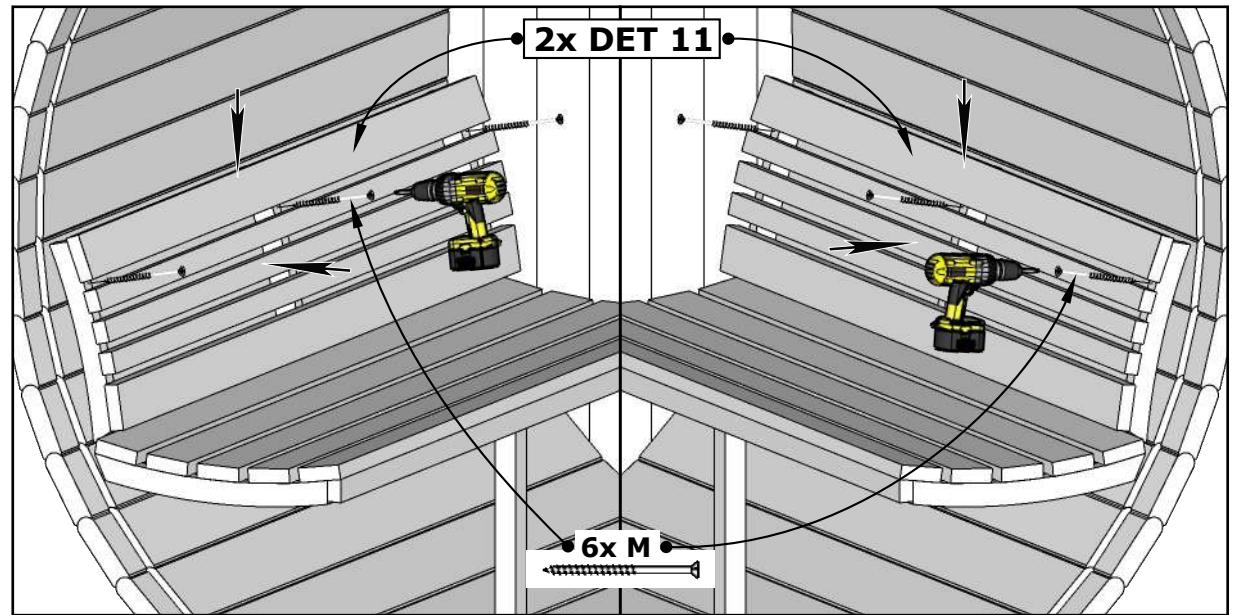
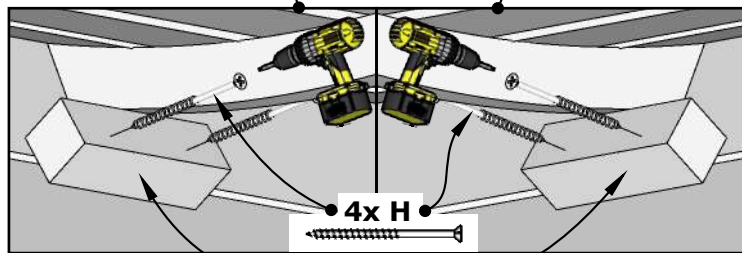
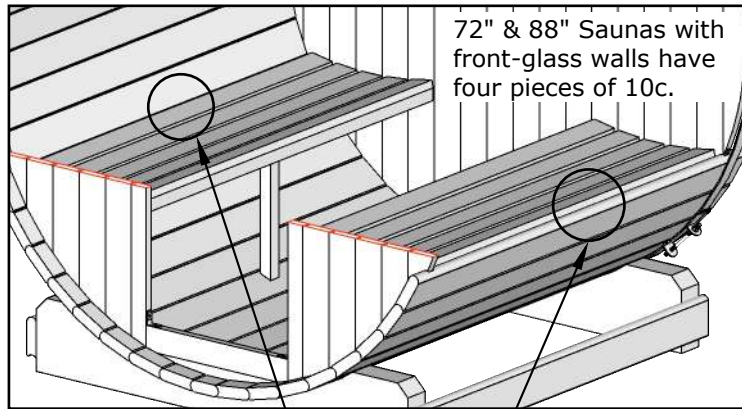
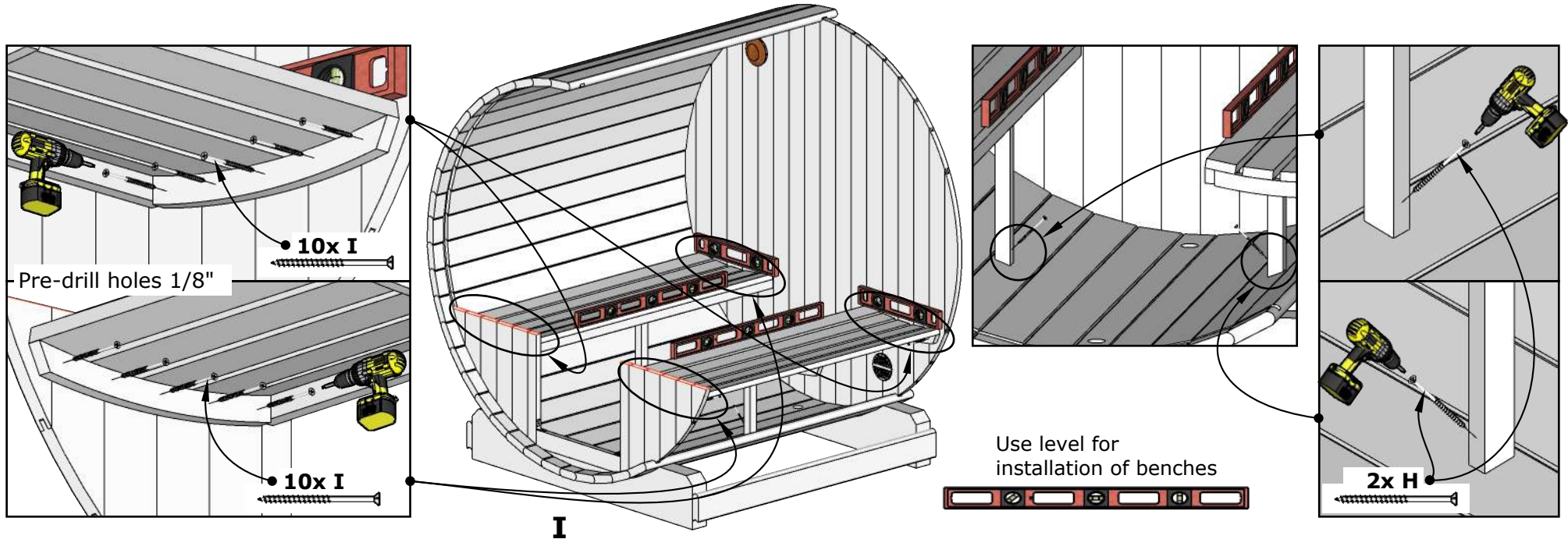
NB! If Your sauna equipped with front-glass wall, see front-glass wall installation manual for proper benches installation.



III

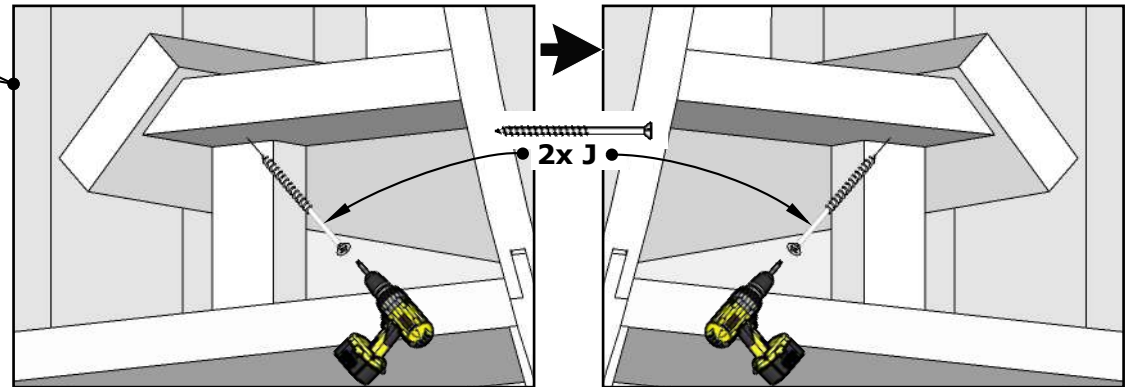
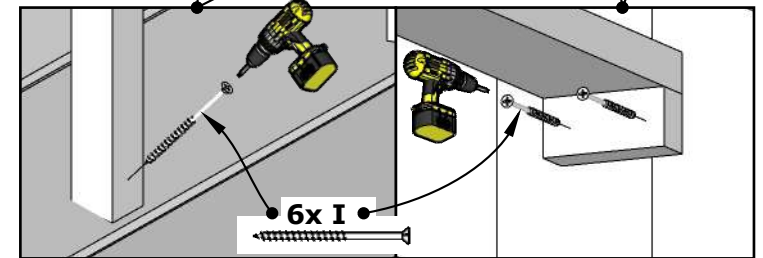
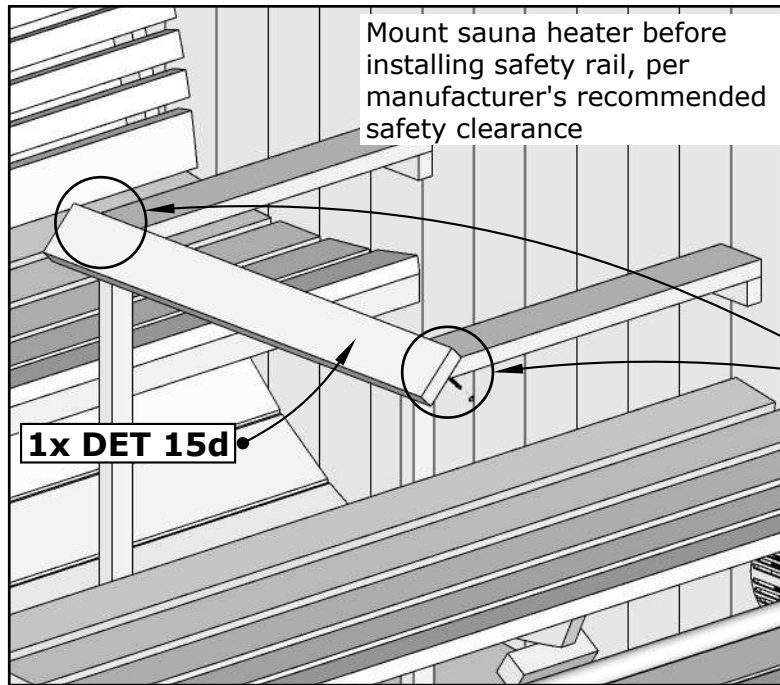
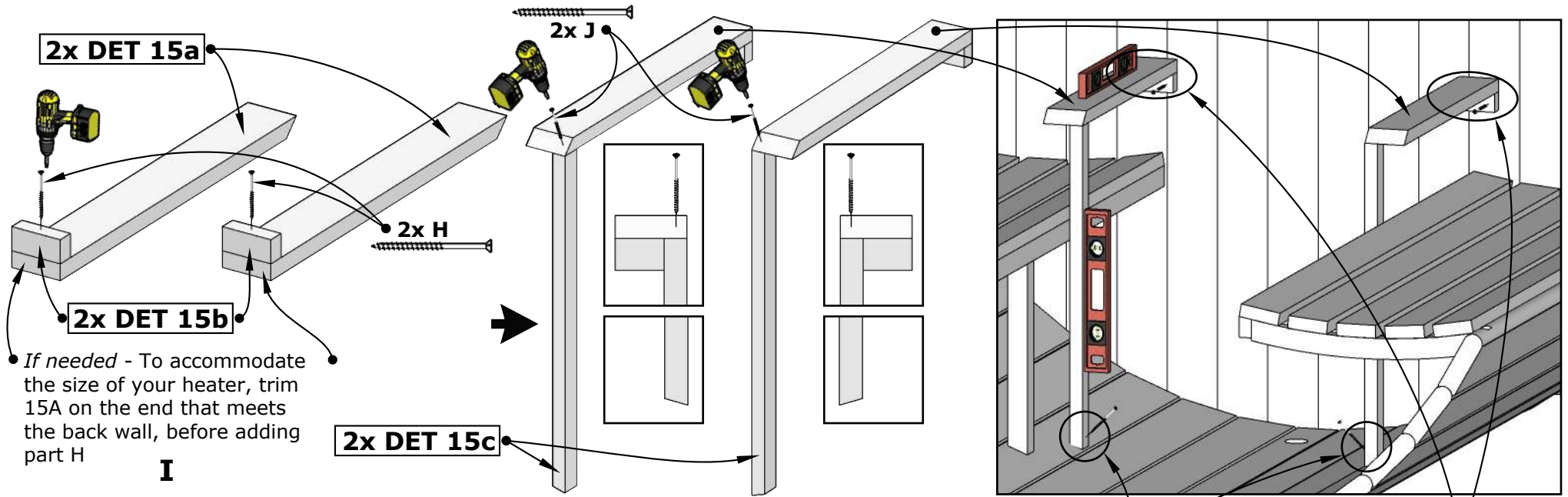
8.

# SUBLIME WITH WINDOW Barrel Sauna 87D" x 81H"



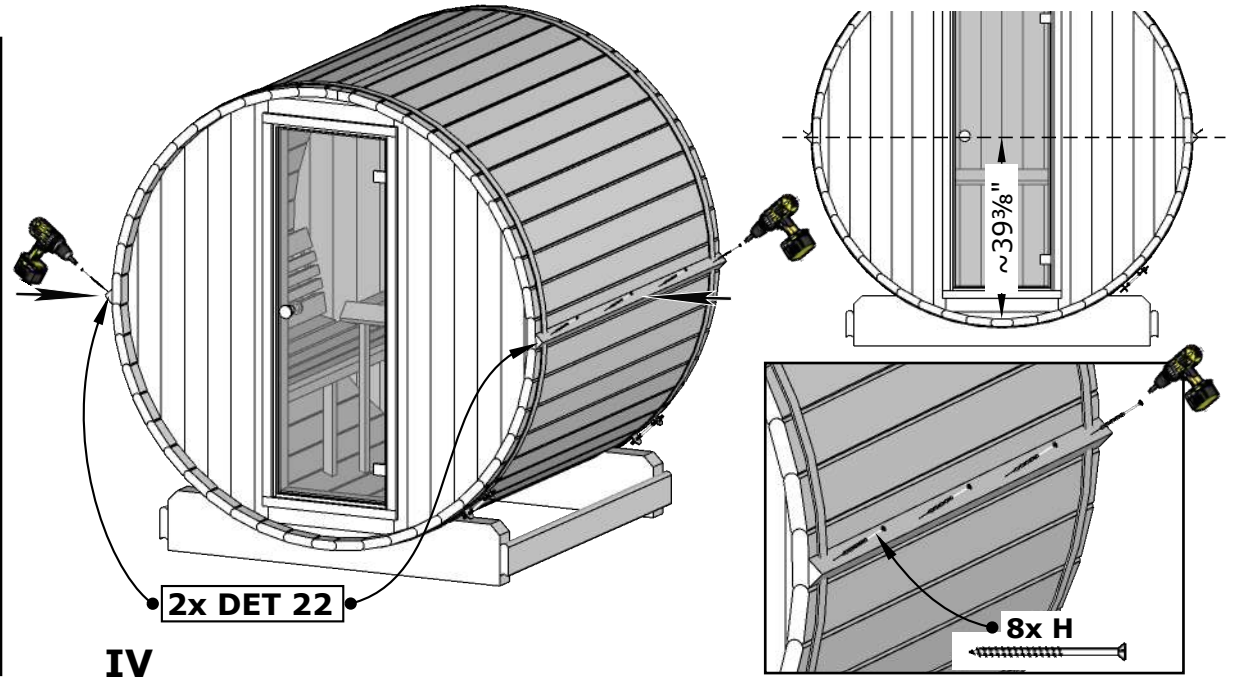
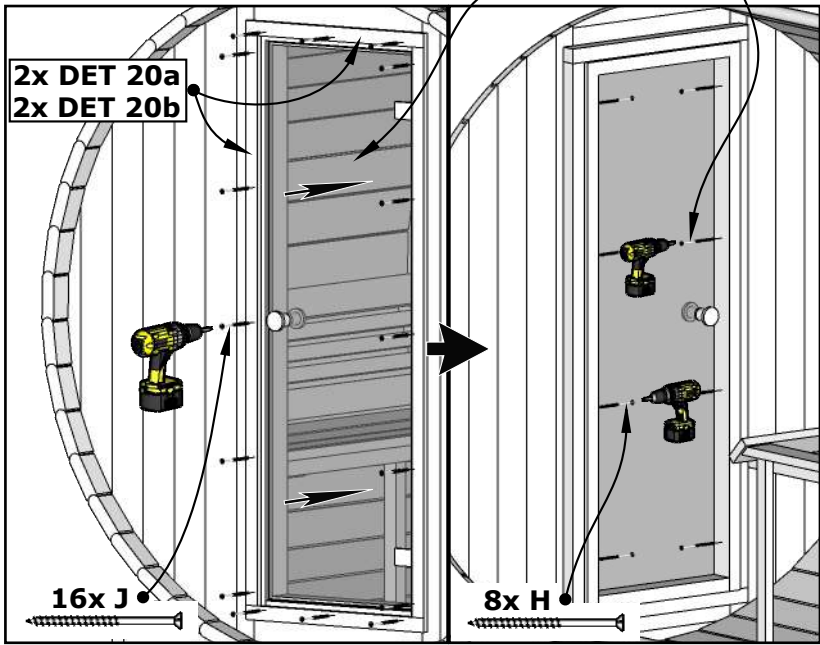
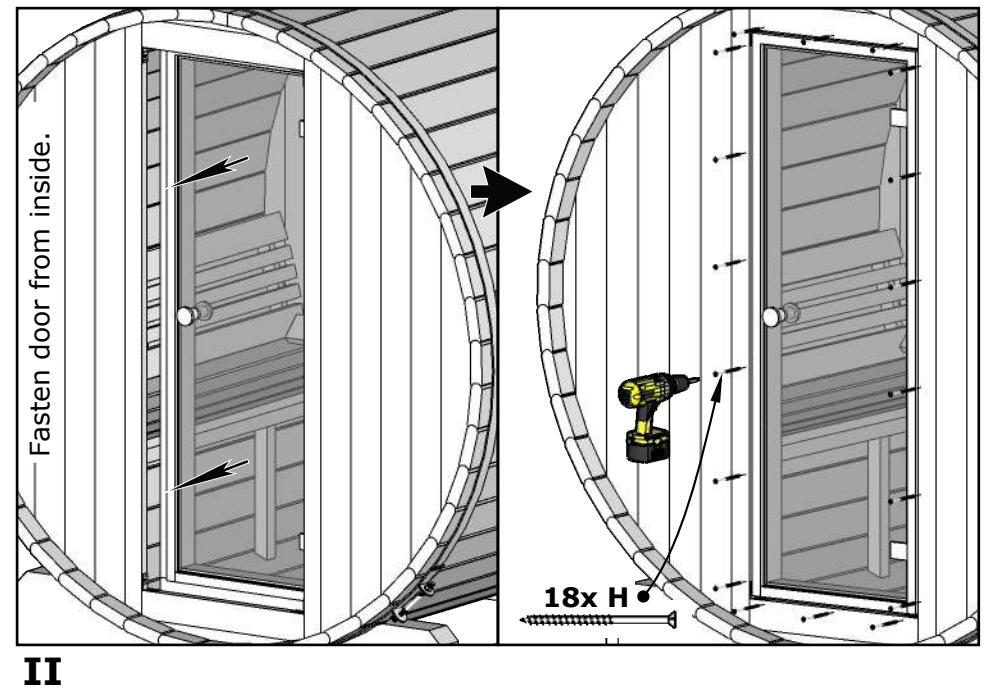
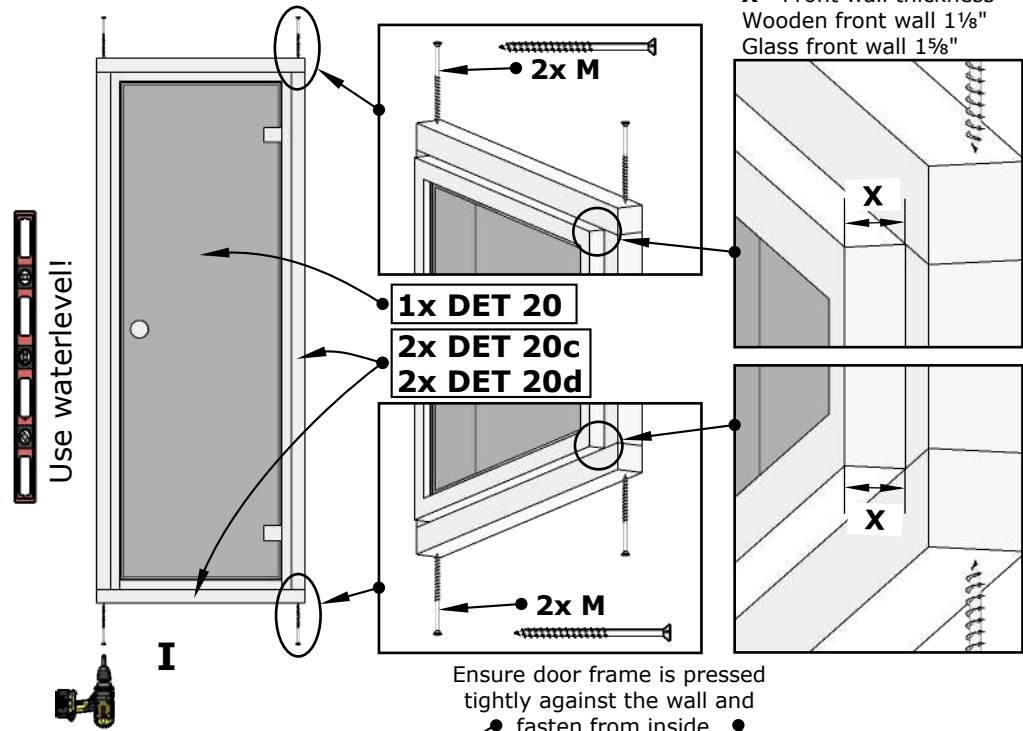


# SUBLIME WITH WINDOW Barrel Sauna 87D" x 81H"



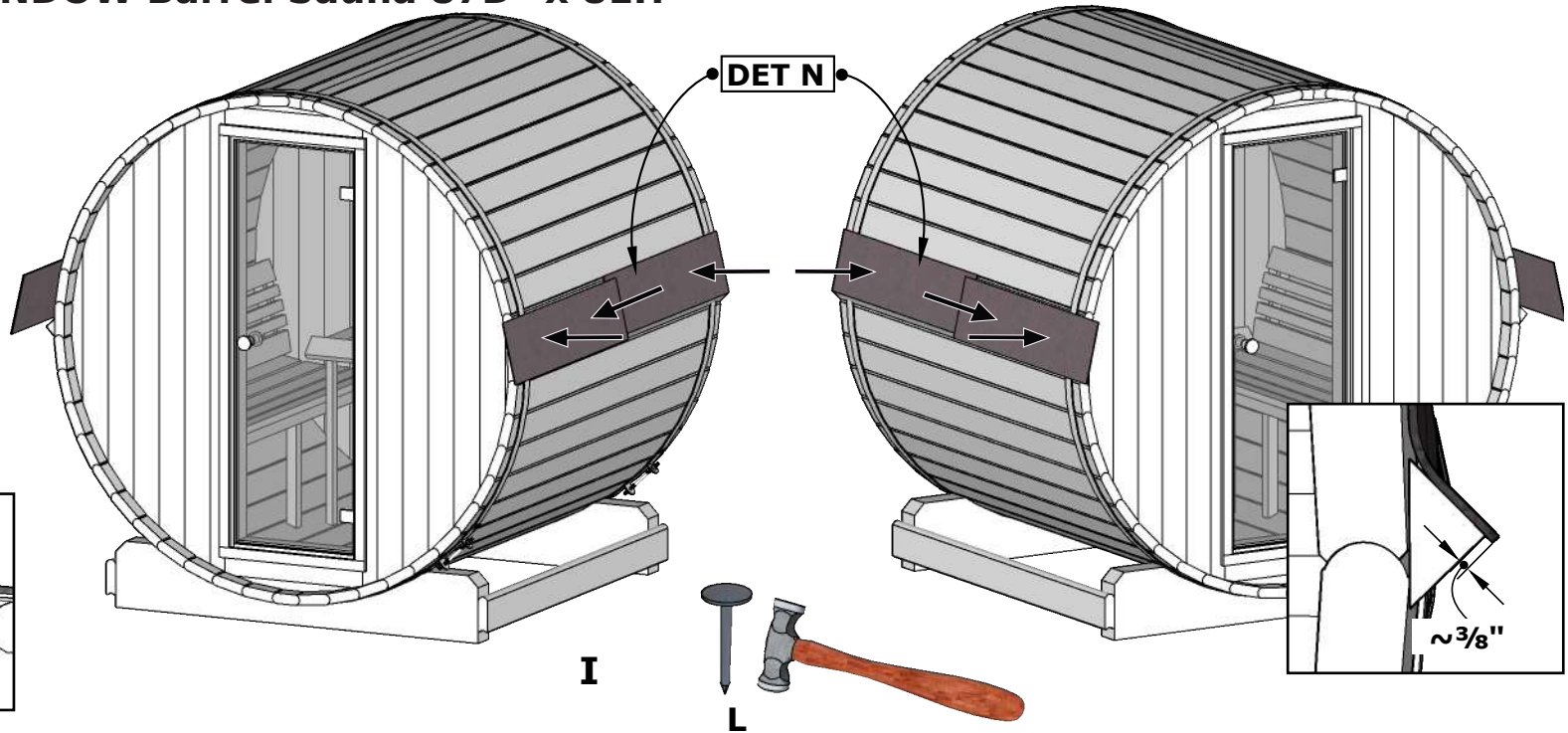
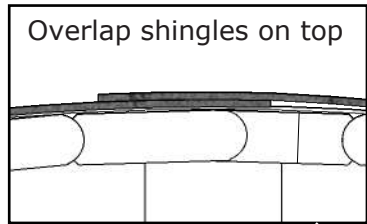
# SUBLIME WITH WINDOW Barrel Sauna 87D" x 81H"

X= Front wall thickness  
 Wooden front wall 1 1/8"  
 Glass front wall 1 5/8"

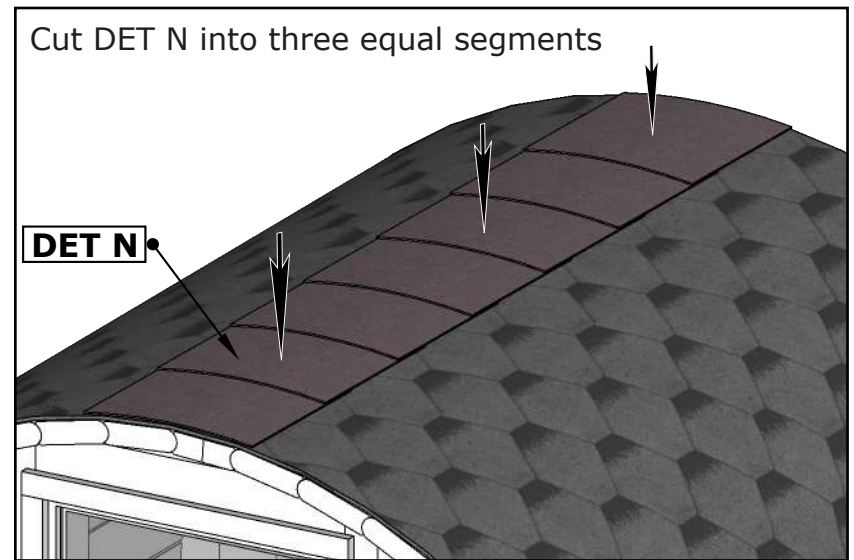
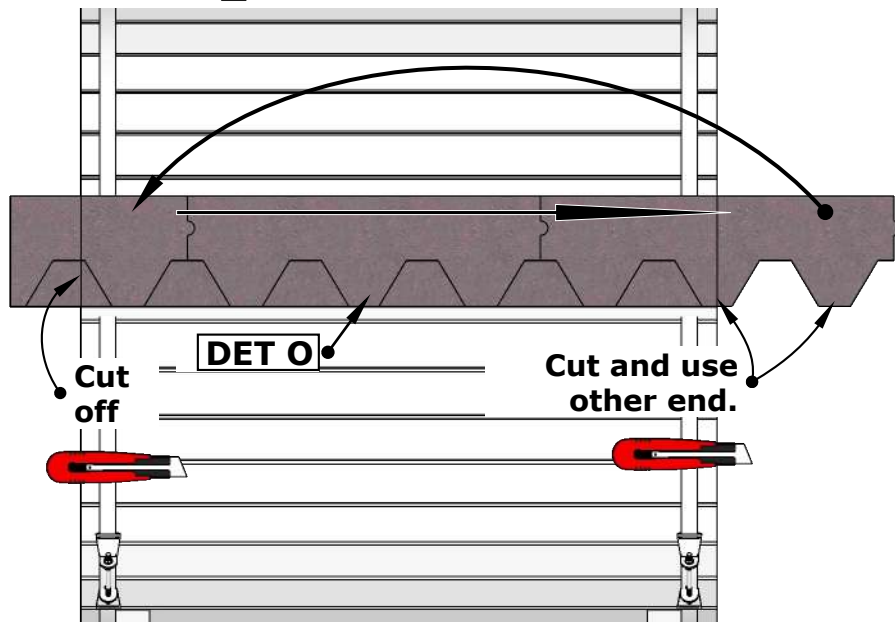


# SUBLIME WITH WINDOW Barrel Sauna 87D" x 81H"

See the installation manual inside the shingles package



Check also roof shingles installation manual inside package.



# SUBLIME WITH WINDOW Barrel Sauna 87D" x 81H"

