

SALUS  SAUNAS

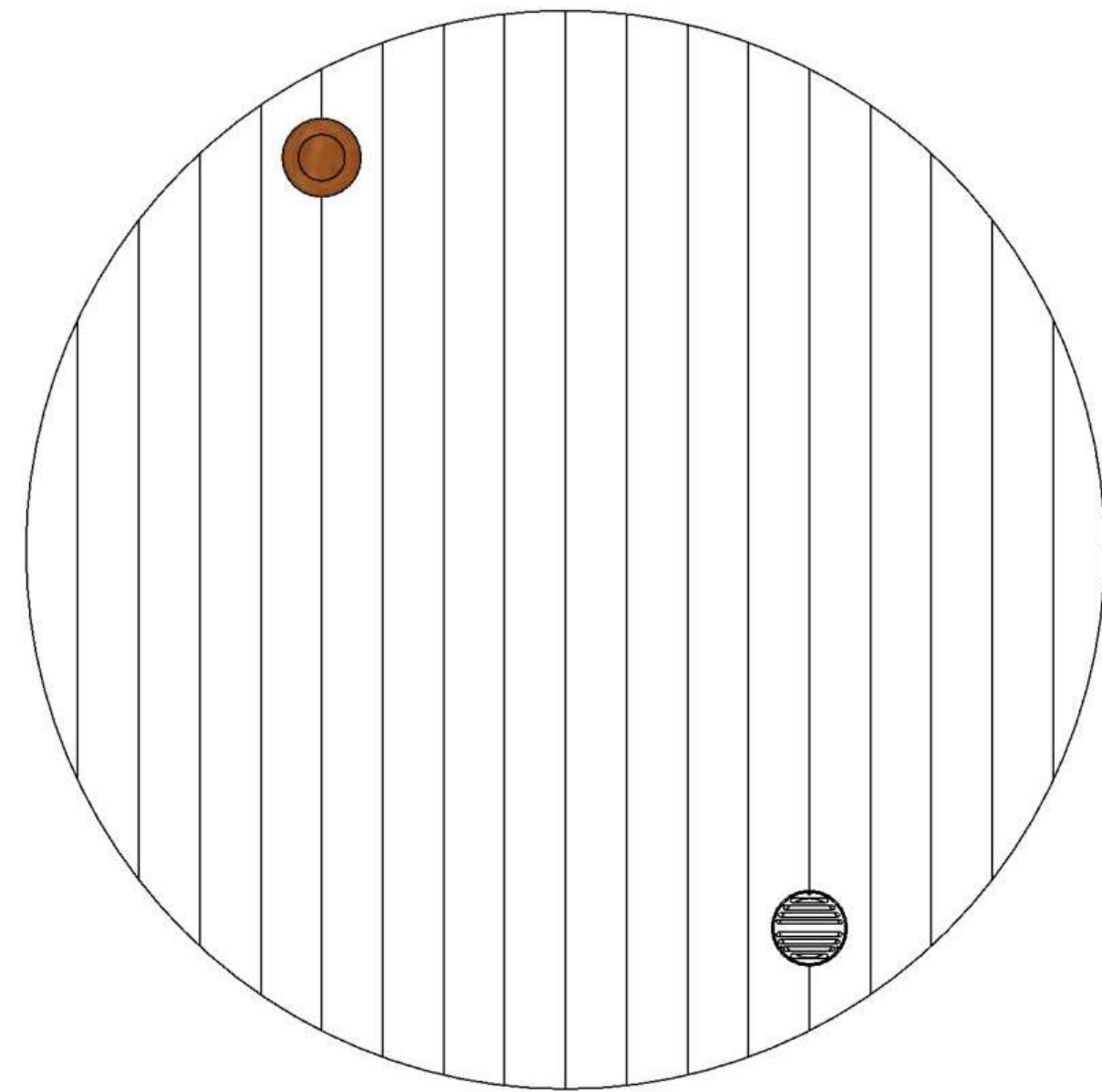
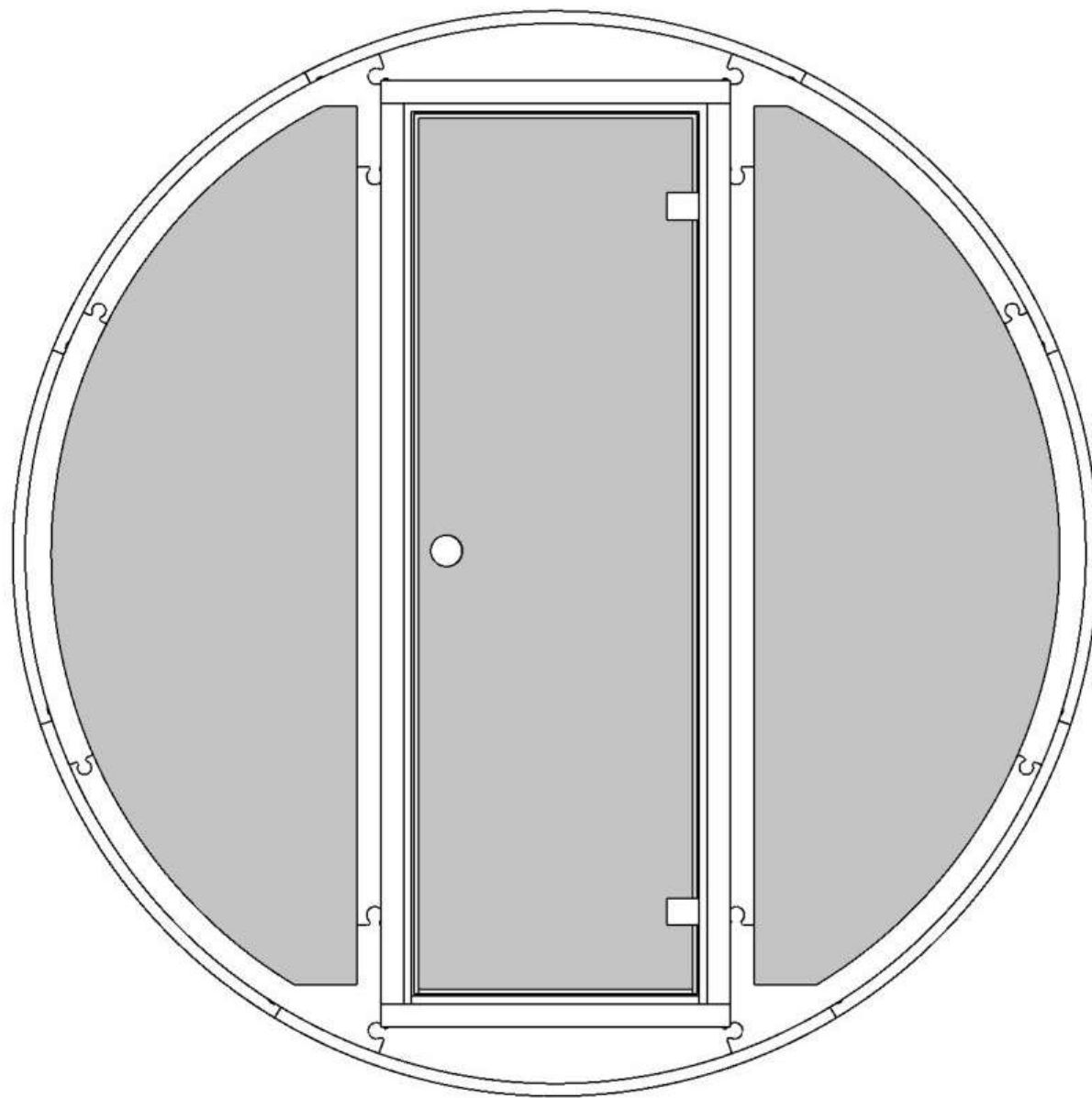


**SUBLIME FRONT GLASS 6-PERSON BARREL SAUNA**

**OWNER'S MANUAL**

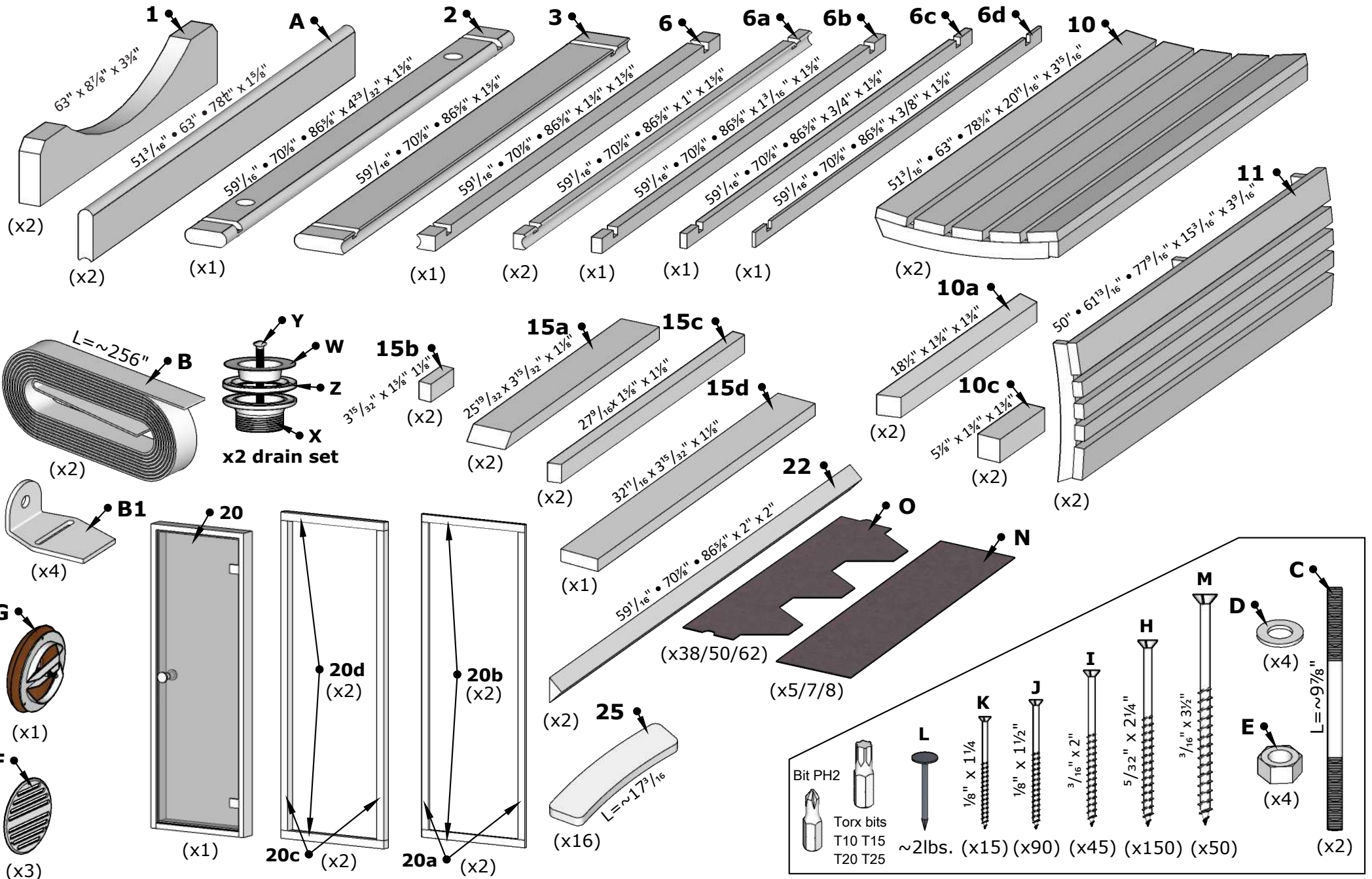
**WARNING!** Do not place anything combustible close to heater, above the heater, and on both sides of the heater. This includes but not limited to towels, lights, robe hooks, accessories, etc. Nothing should be on the same wall as your heater that is combustible.

# Front & Back Walls

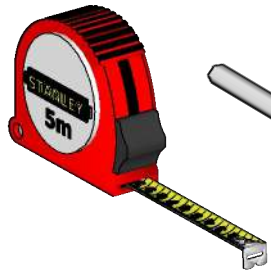


# SUBLIME FRONT GLASS Barrel Sauna 87D" x 81H"

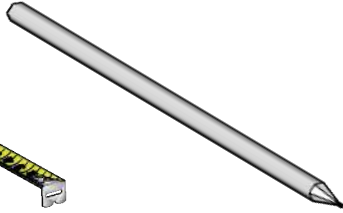
## Details list.



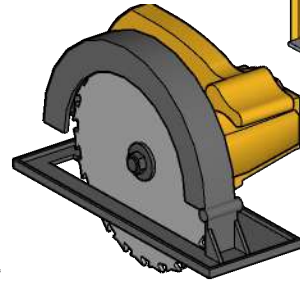
# Tools needed



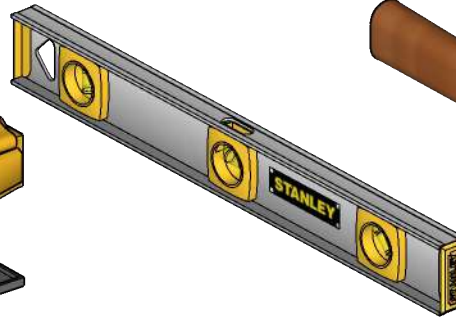
Measuring tape



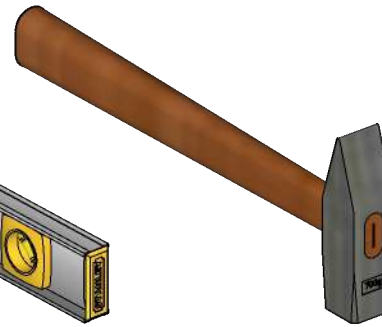
Marker pen



Circular saw



Water level



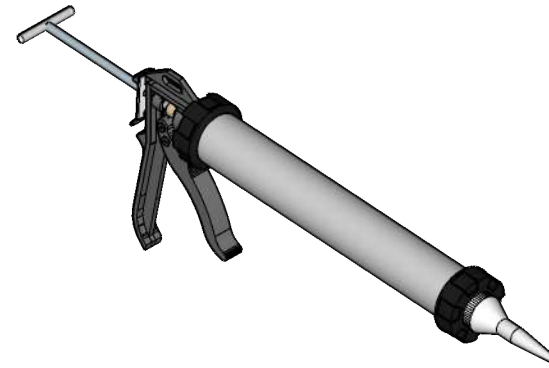
Hammer



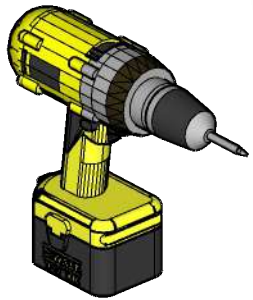
Extra hands



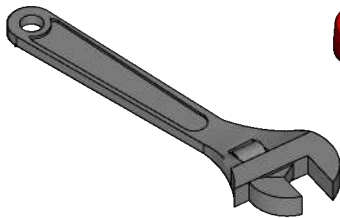
Ratchet strap



Silicone gun  
(Only glass-wall models)



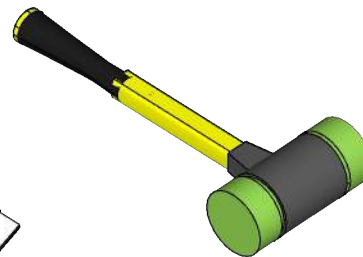
Drill



Crescent wrench

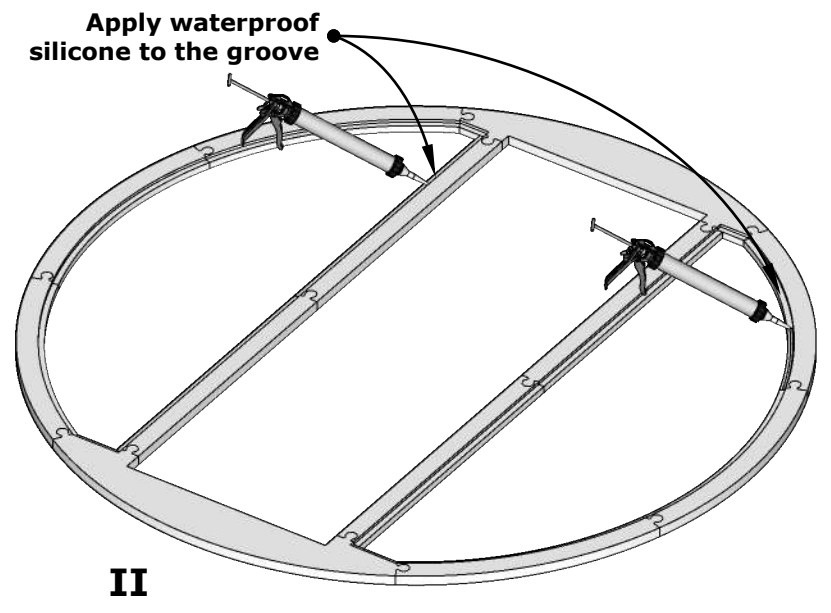
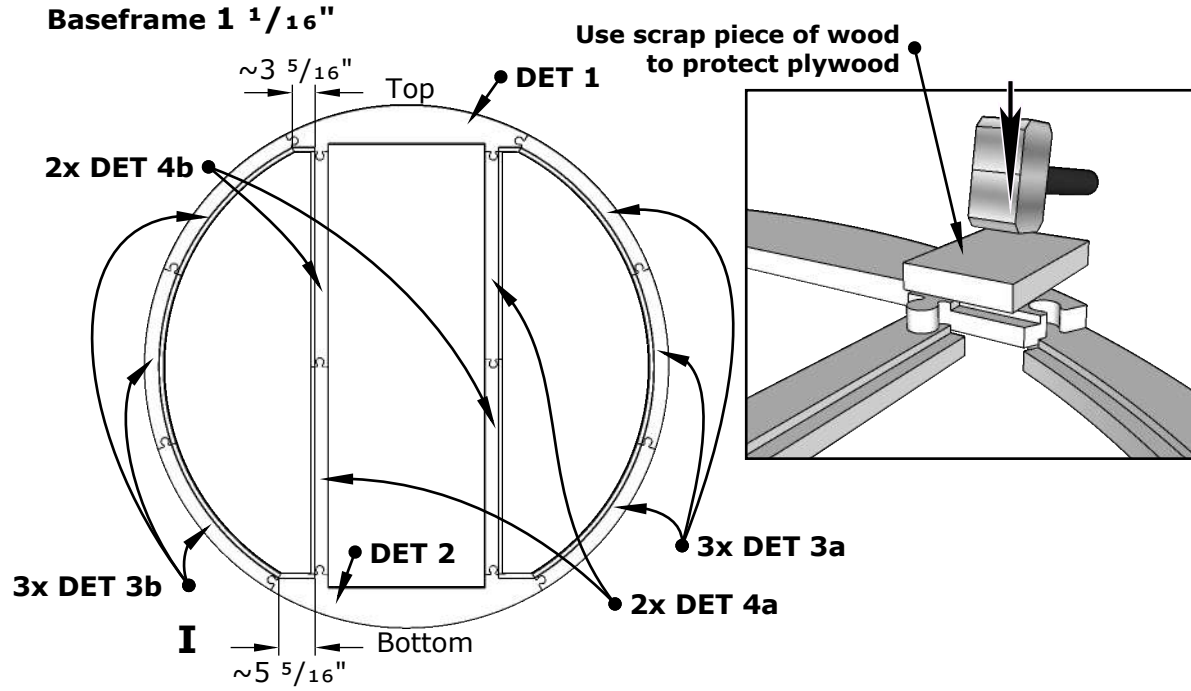
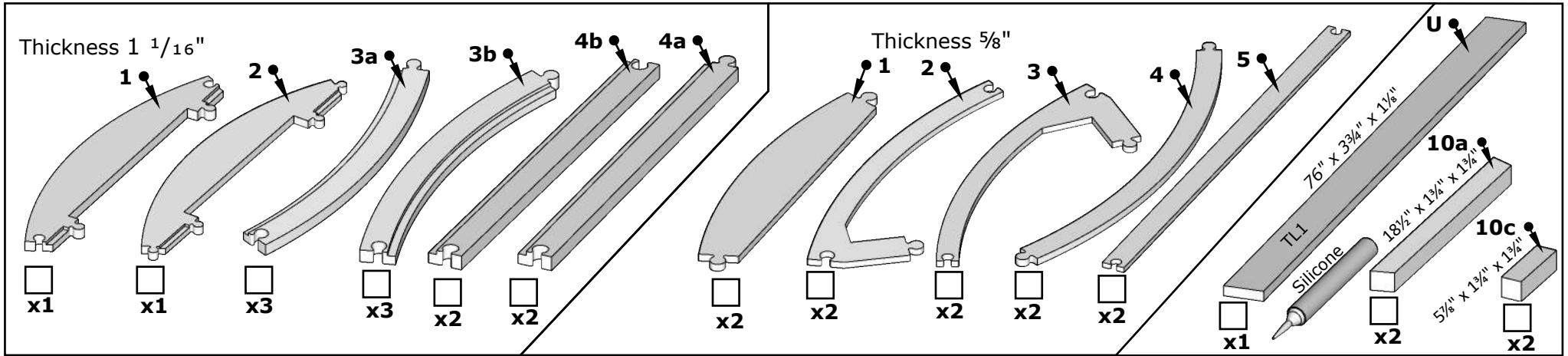


Utility knife



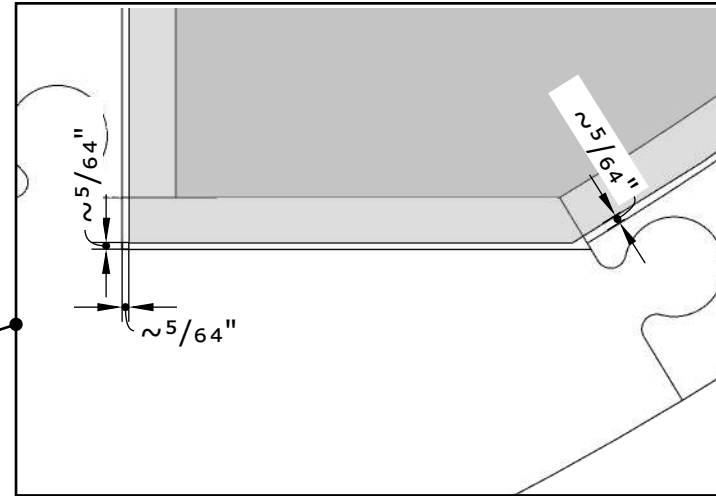
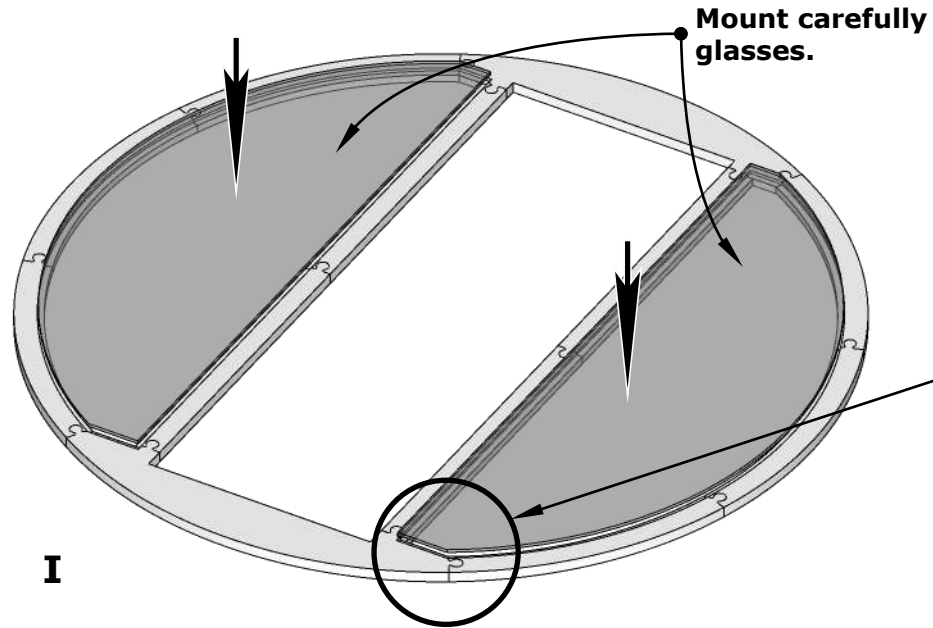
Rubber mallet

# Front glass wall installation

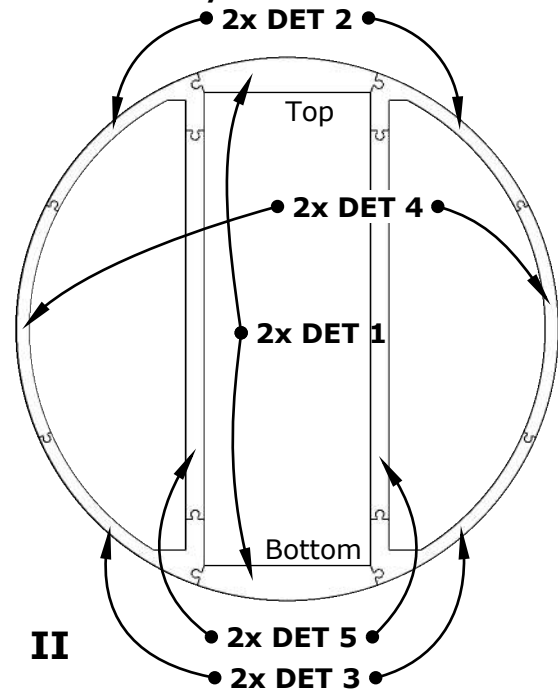


1.

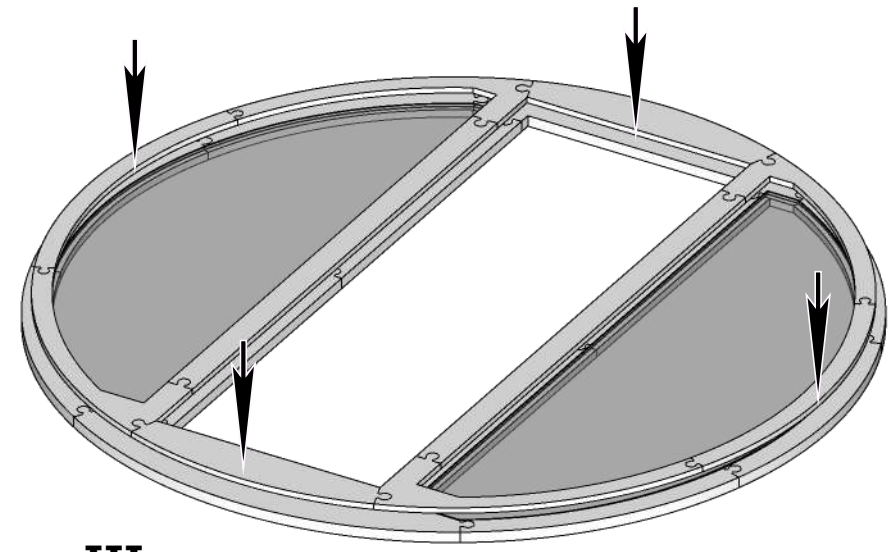
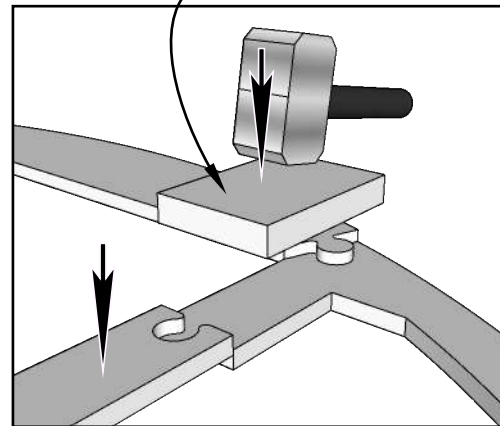
# Front glass wall installation



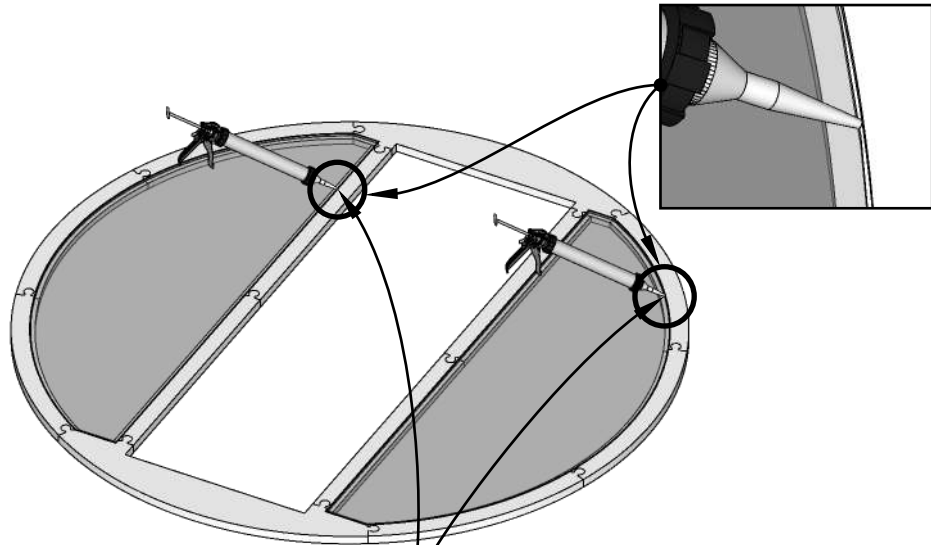
Coverframe  $19/32$ "



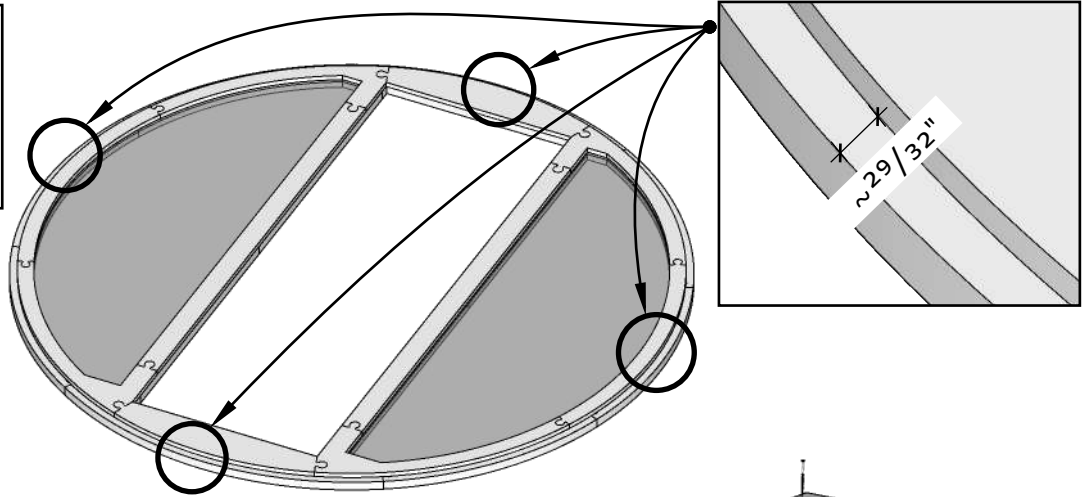
Use scrap piece of wood to protect plywood



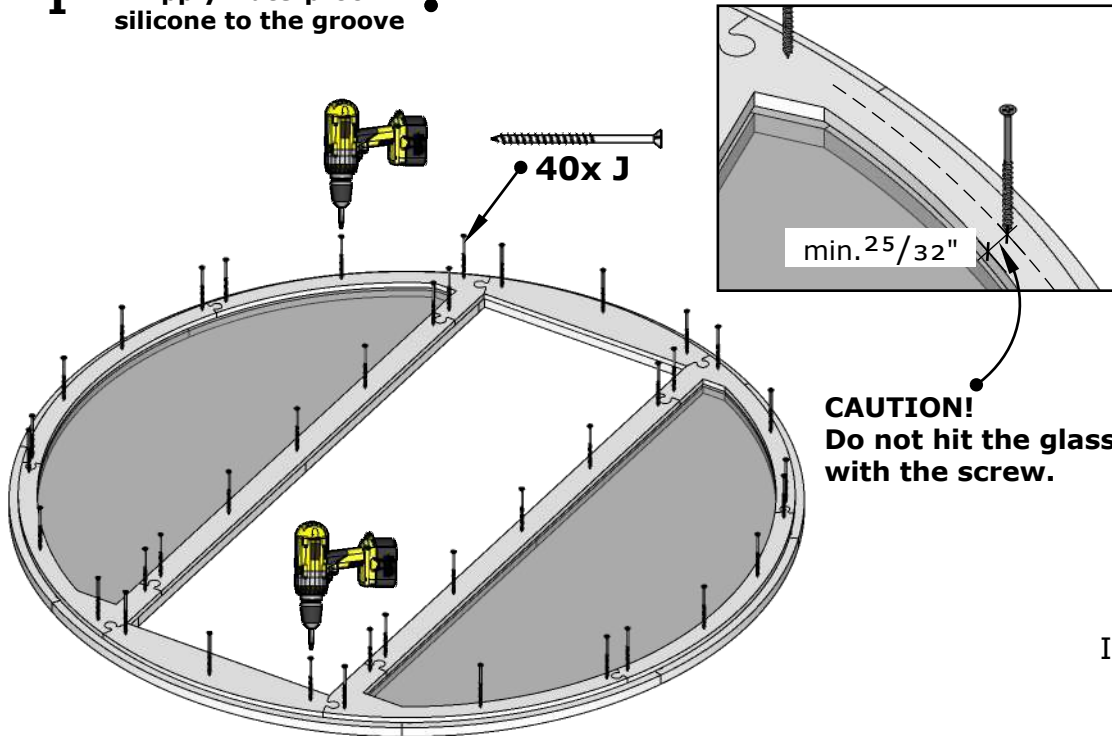
# Front glass wall installation



**I** Apply waterproof silicone to the groove

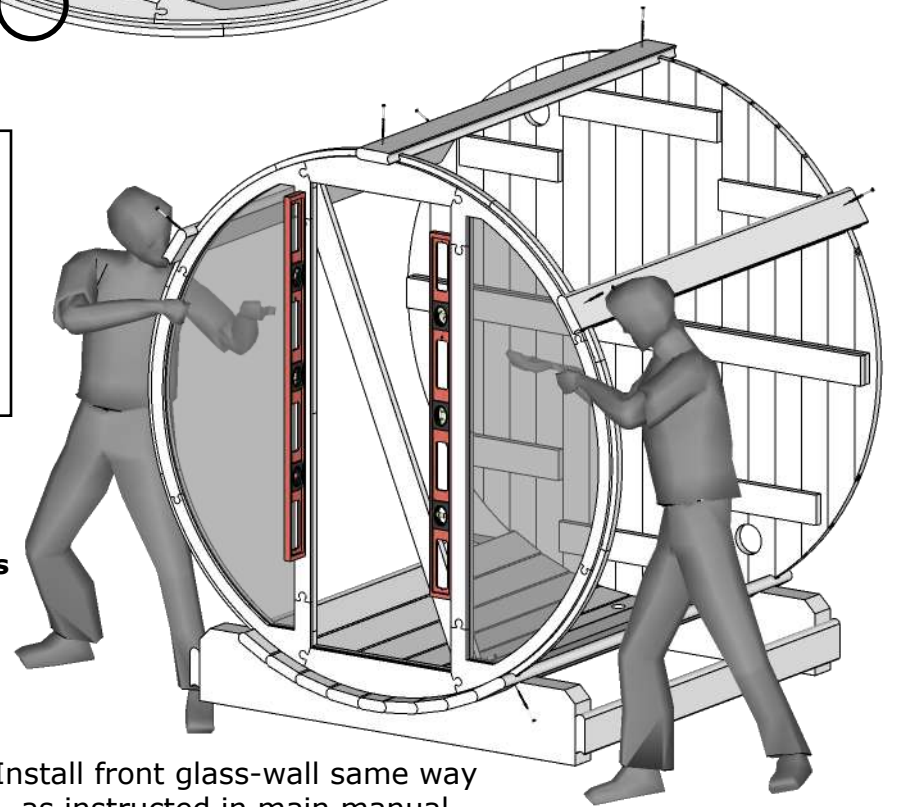


**II**



**CAUTION!**  
Do not hit the glass with the screw.

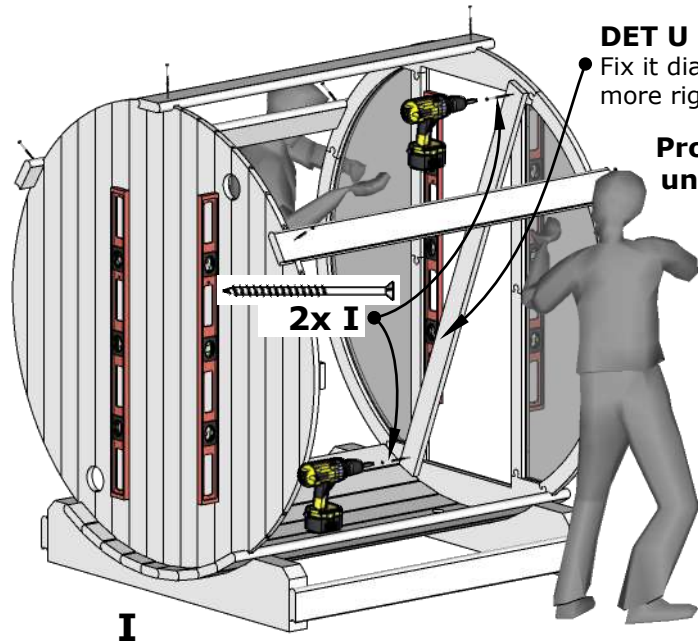
**III**



Install front glass-wall same way as instructed in main manual.

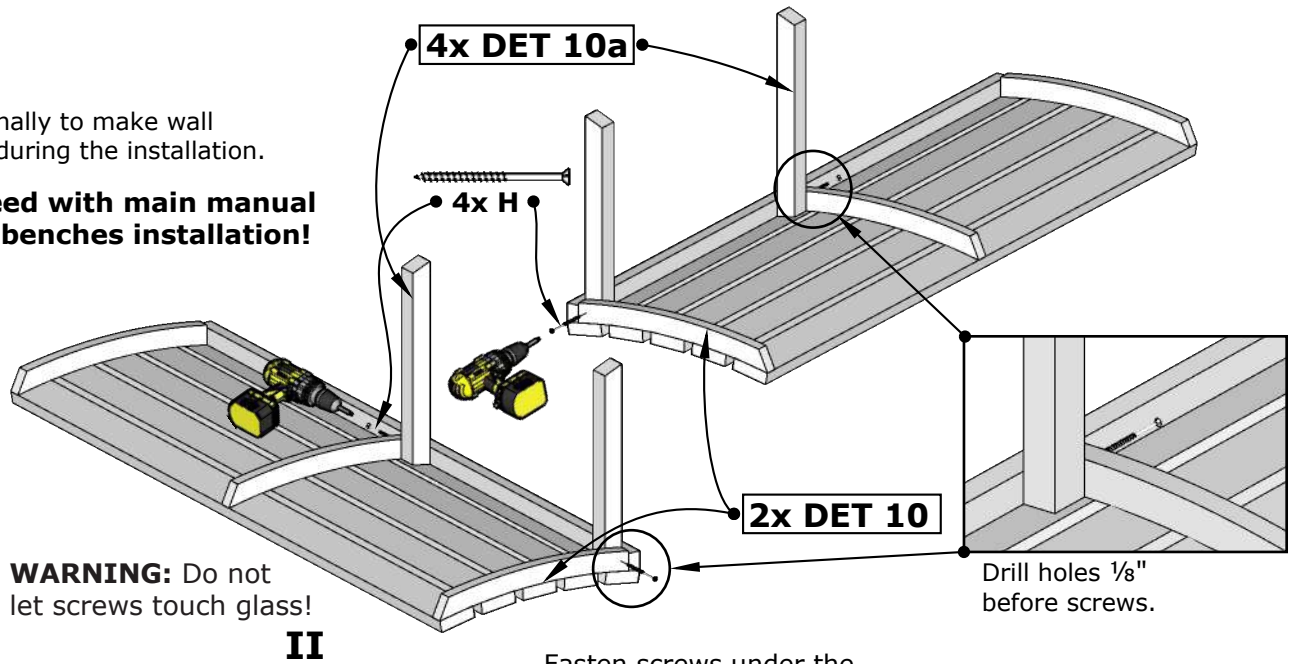
**IV**

# Front glass wall installation

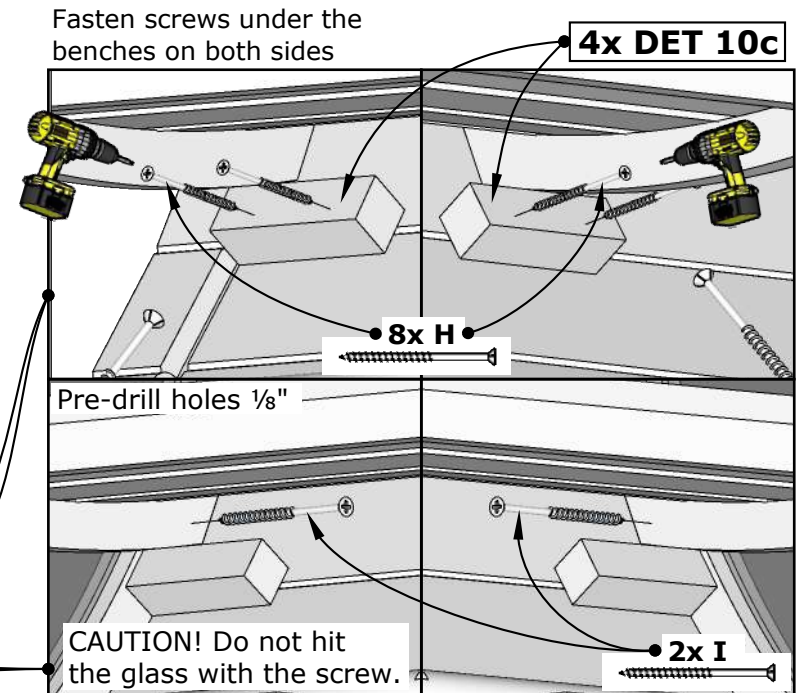
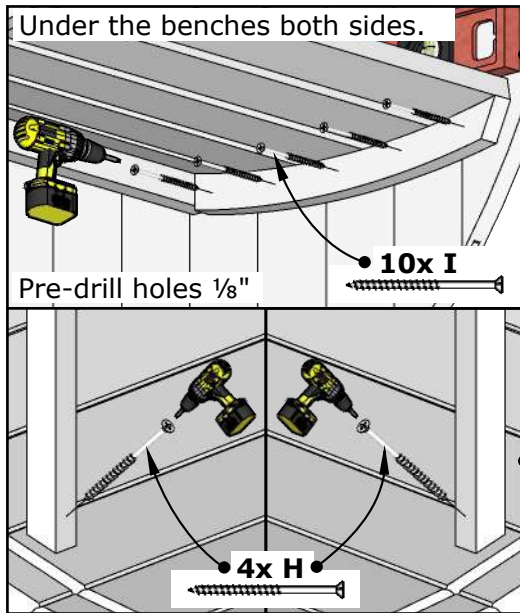


**DET U**  
 Fix it diagonally to make wall more rigid during the installation.

**Proceed with main manual until benches installation!**

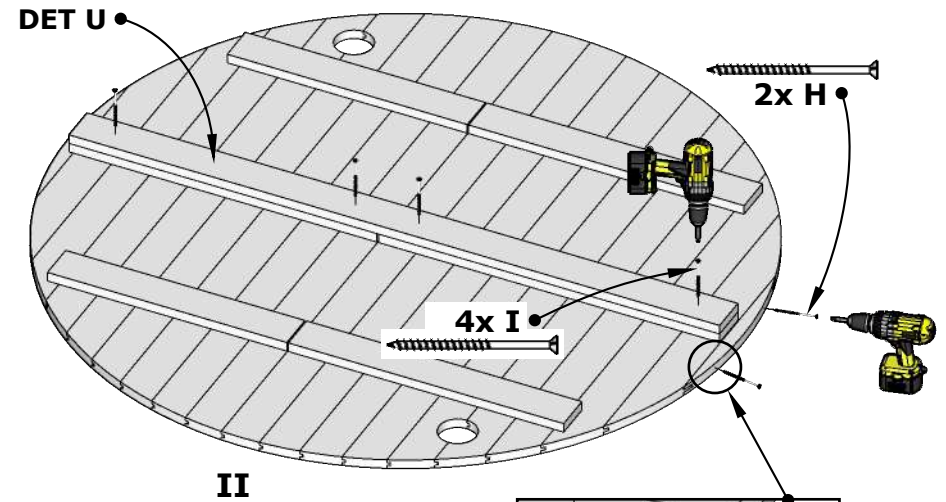
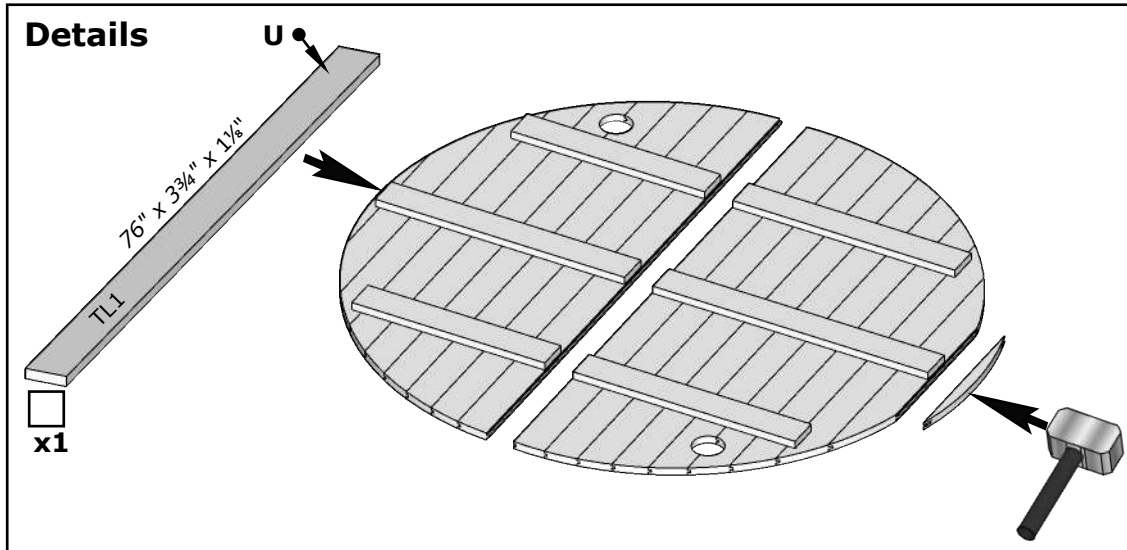


Drill holes 1/8" before screws.

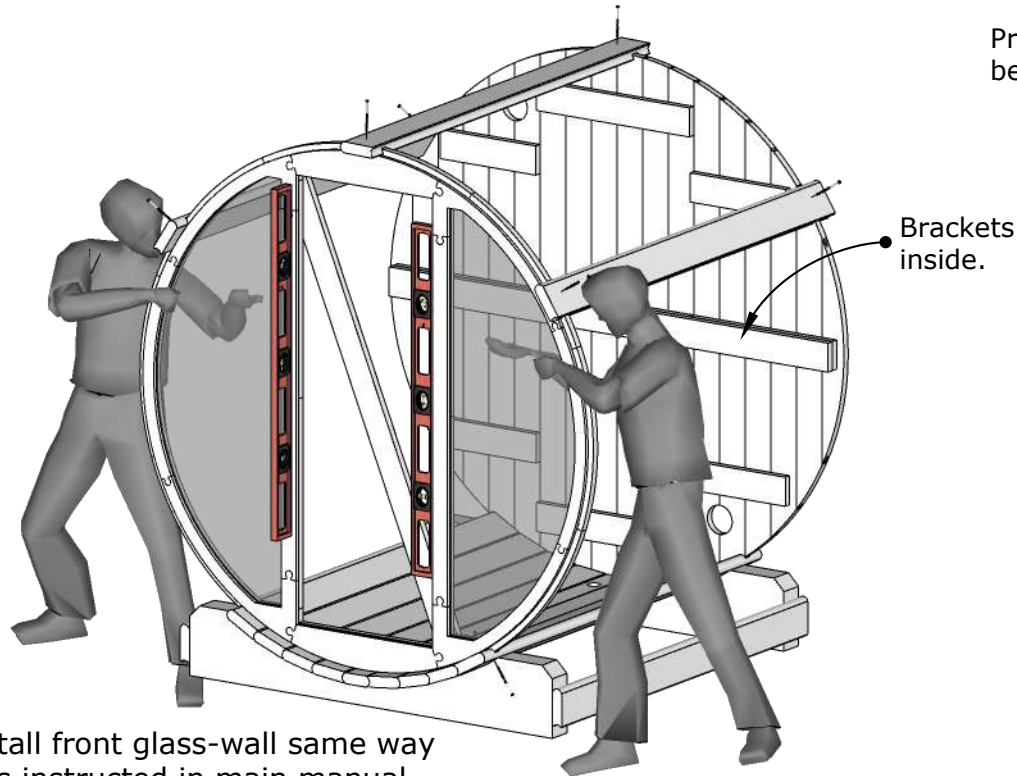
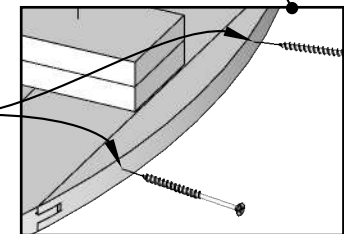




# Wooden back wall assembly



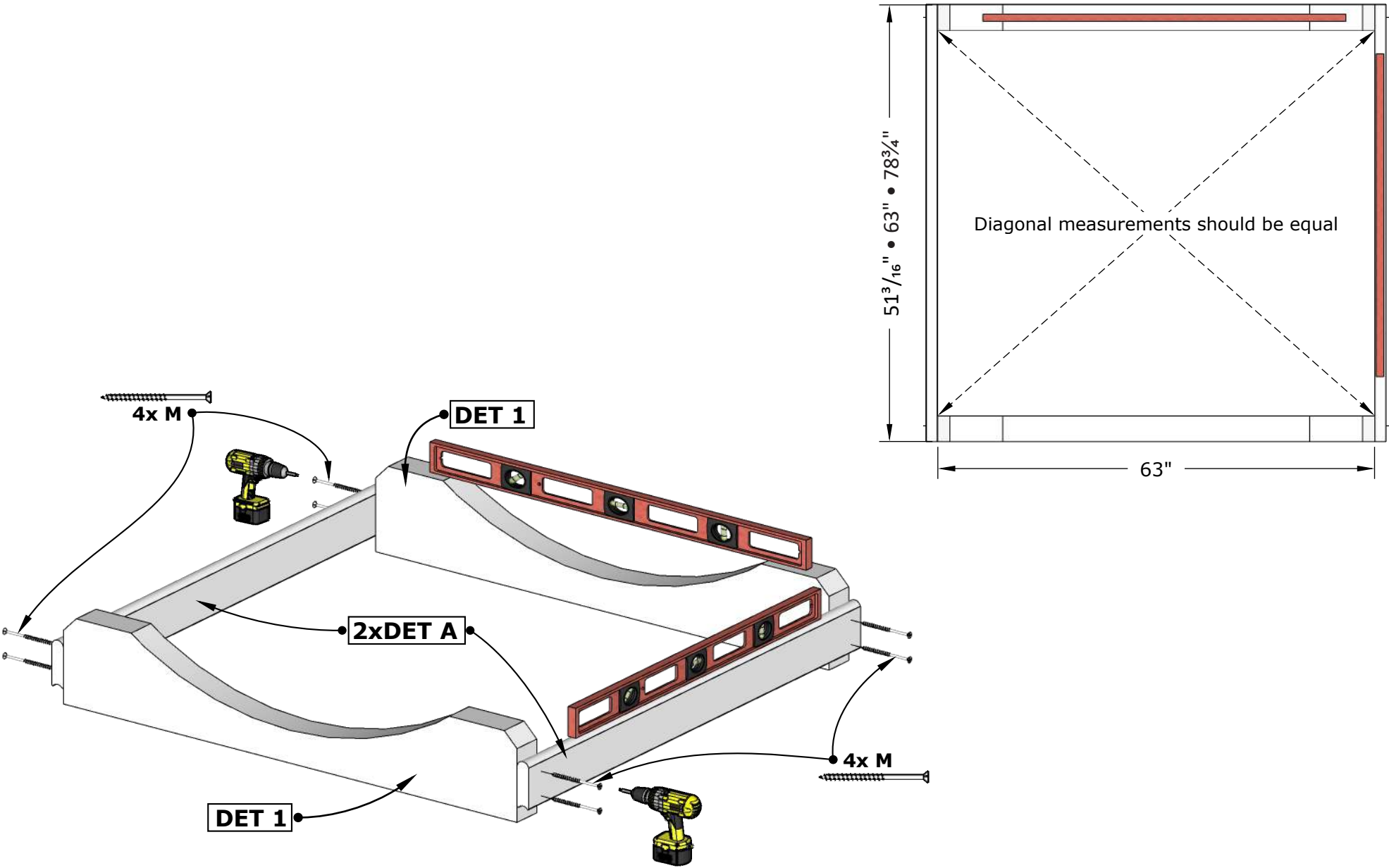
Pre-drill holes 5/32" before screws.



Install front glass-wall same way as instructed in main manual.

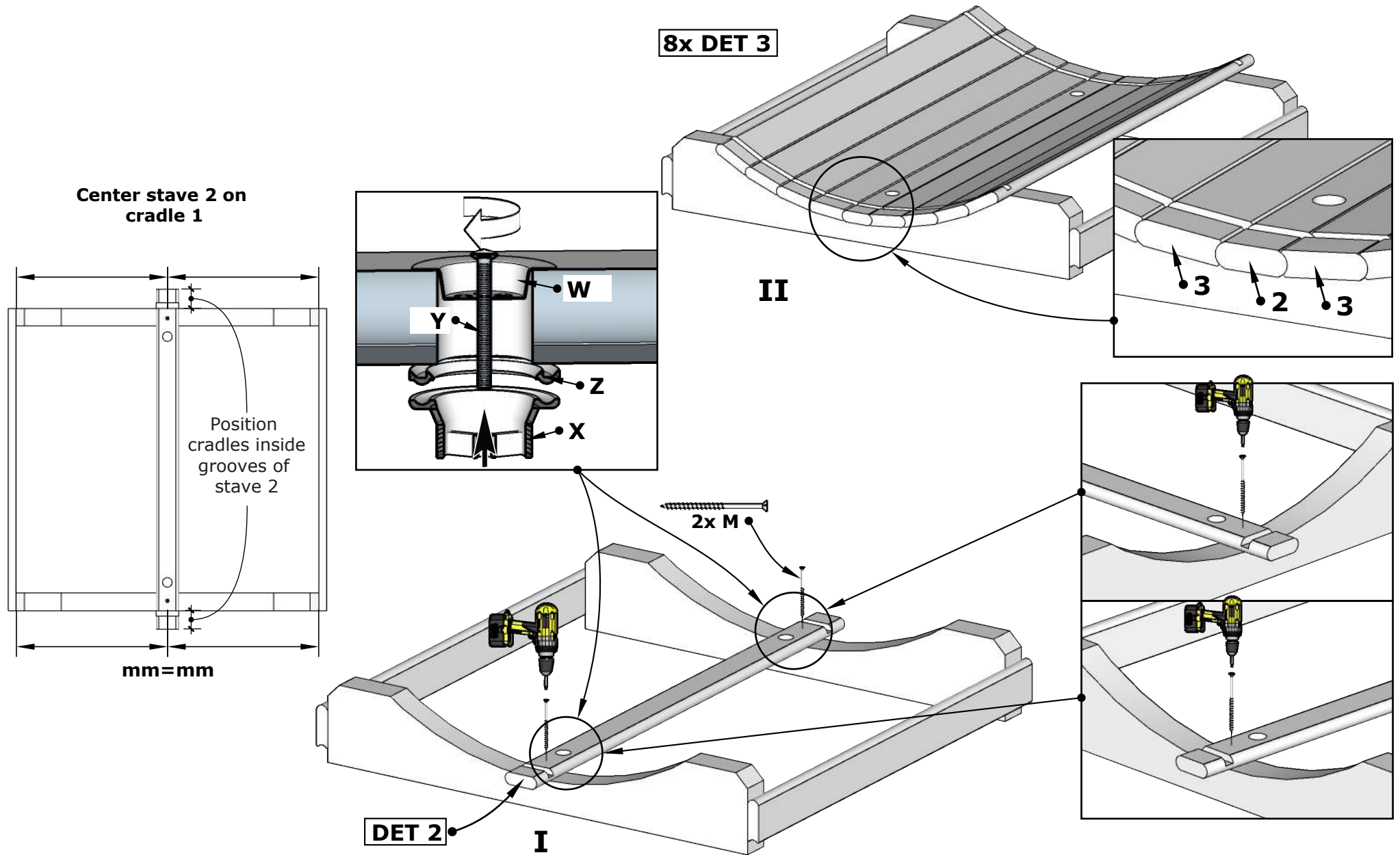
## III

# SUBLIME FRONT GLASS Barrel Sauna 87D" x 81H"

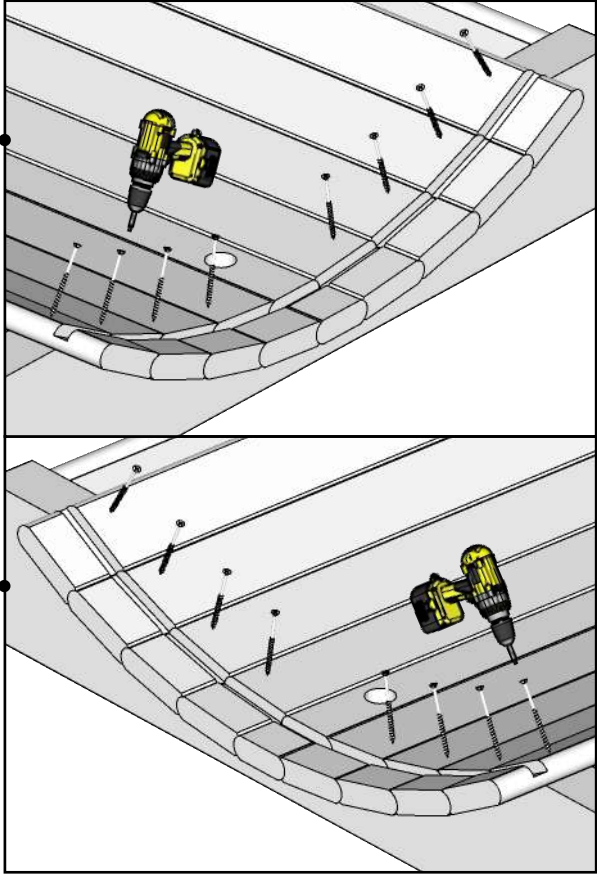
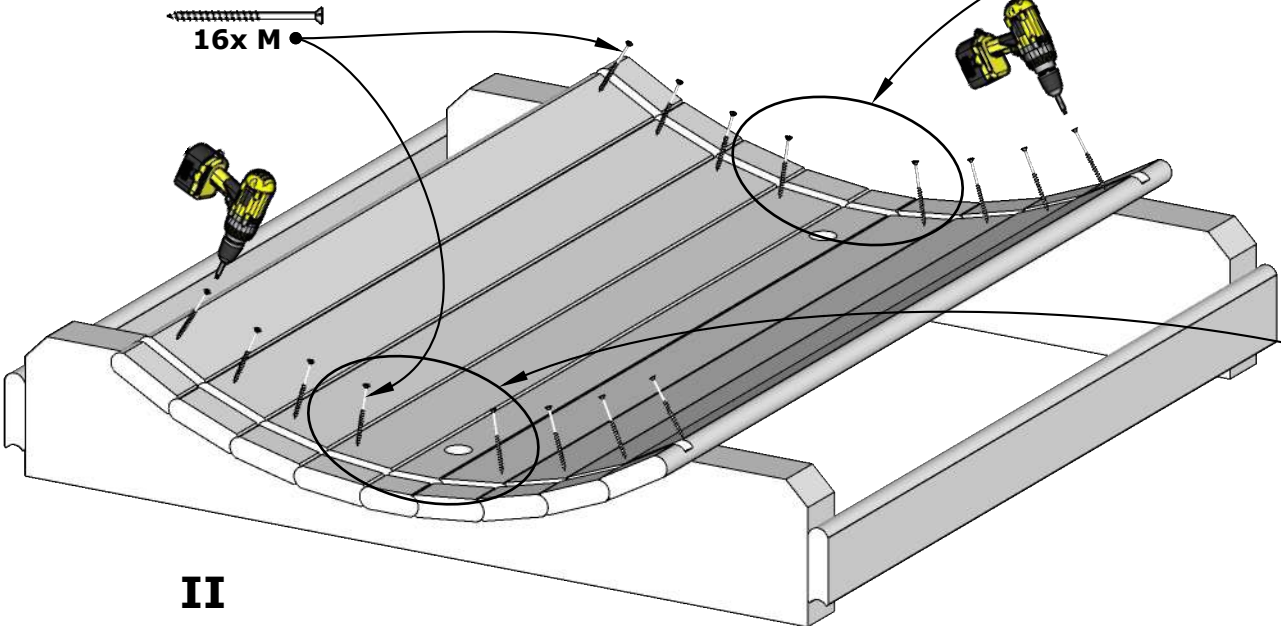
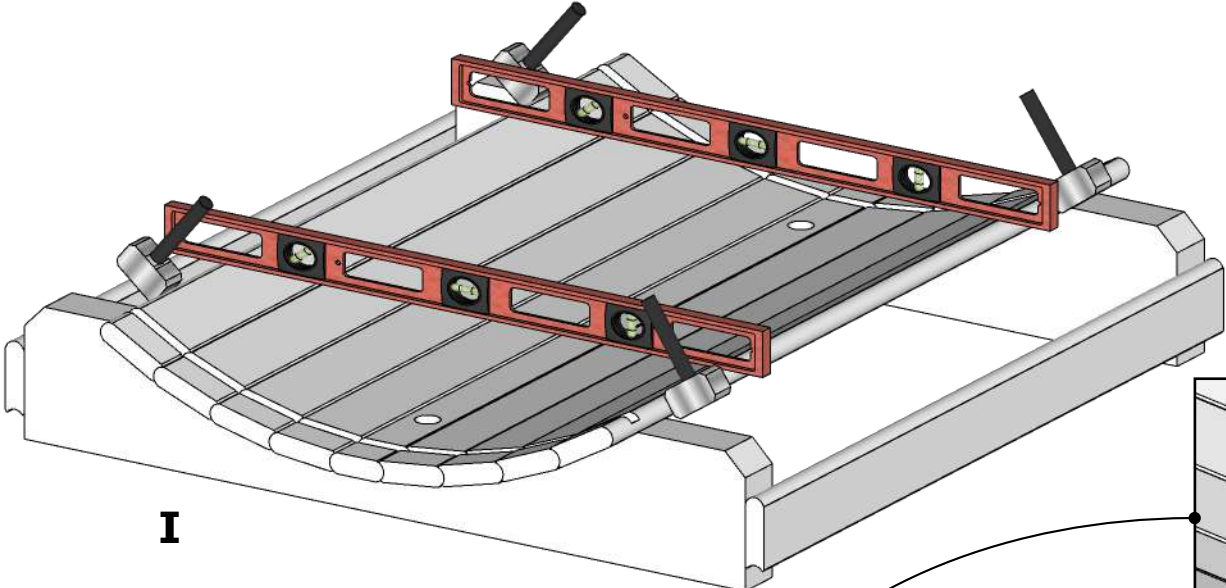


1.

# SUBLIME FRONT GLASS Barrel Sauna 87D" x 81H"

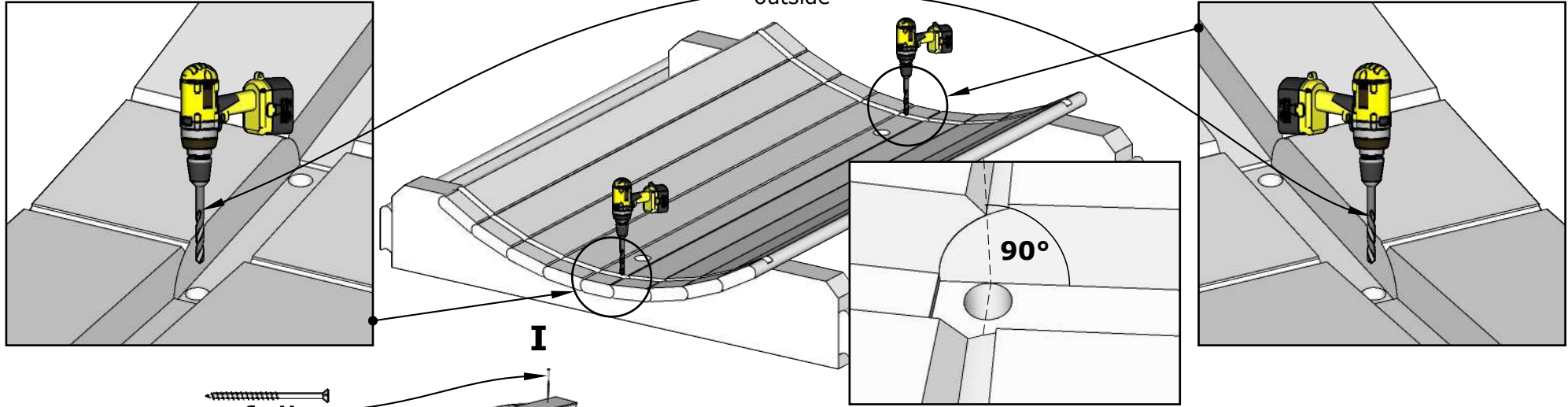


# SUBLIME FRONT GLASS Barrel Sauna 87D" x 81H"



# SUBLIME FRONT GLASS Barrel Sauna 87D" x 81H"

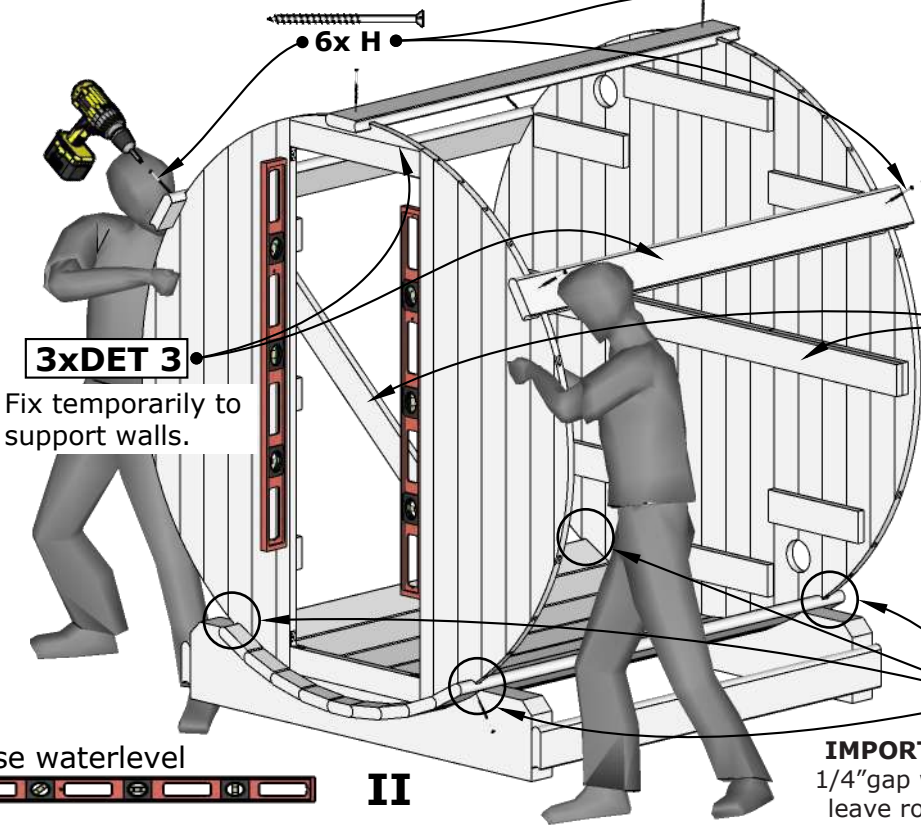
Drill 4 holes  $\varnothing 1/2"$   
through DET 2  
outside



**I**

Check walls installation  
manual on extra pages!

Sauna wall configuration  
depends on Your model!



**3xDET 3**

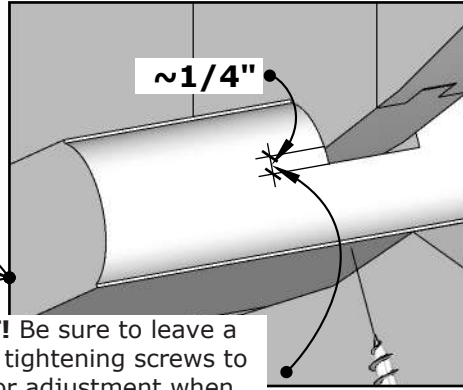
Fix temporarily to  
support walls.

**6x H**

Brackets inside

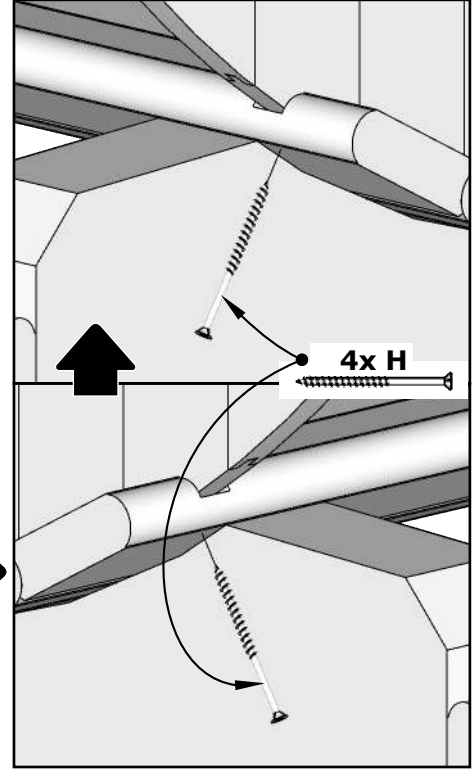
**II**

Use waterlevel



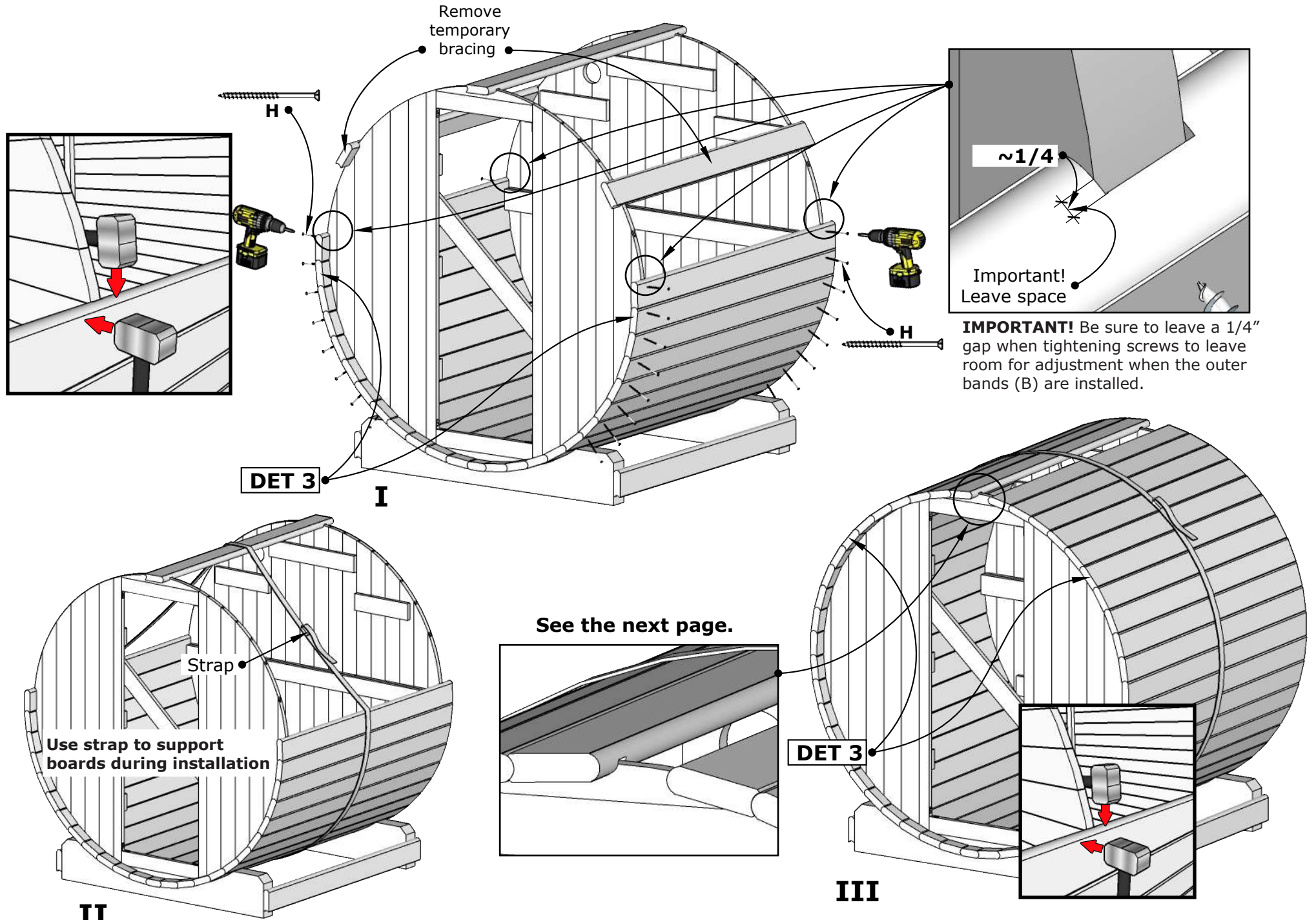
$\sim 1/4"$

**IMPORTANT!** Be sure to leave a  
 $1/4"$  gap when tightening screws to  
leave room for adjustment when  
the outer bands (B) are installed.

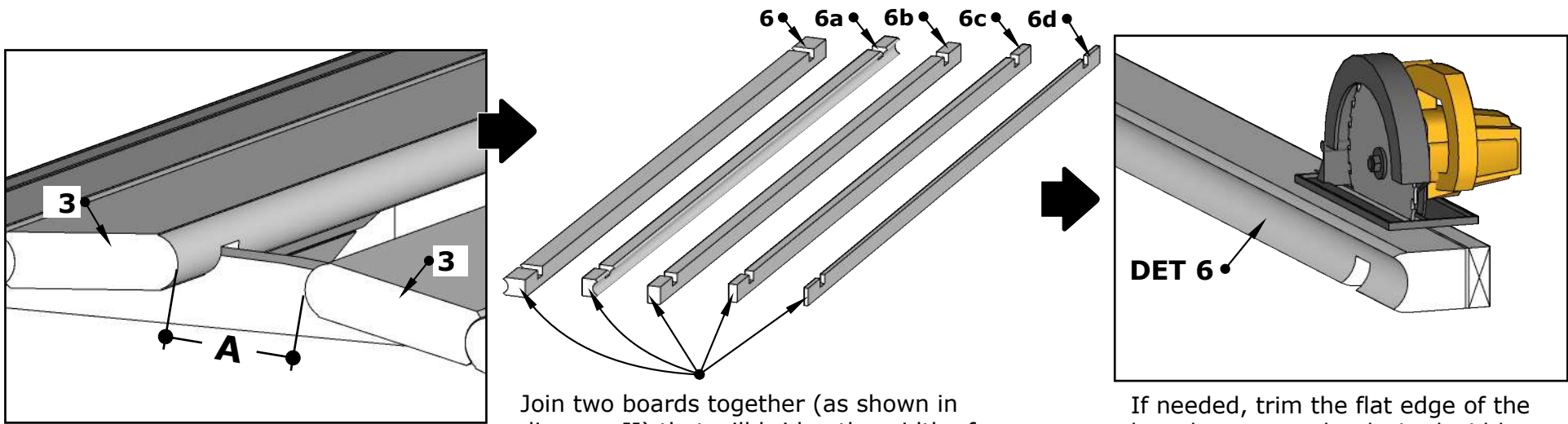


**4x H**

# SUBLIME FRONT GLASS Barrel Sauna 87D" x 81H"



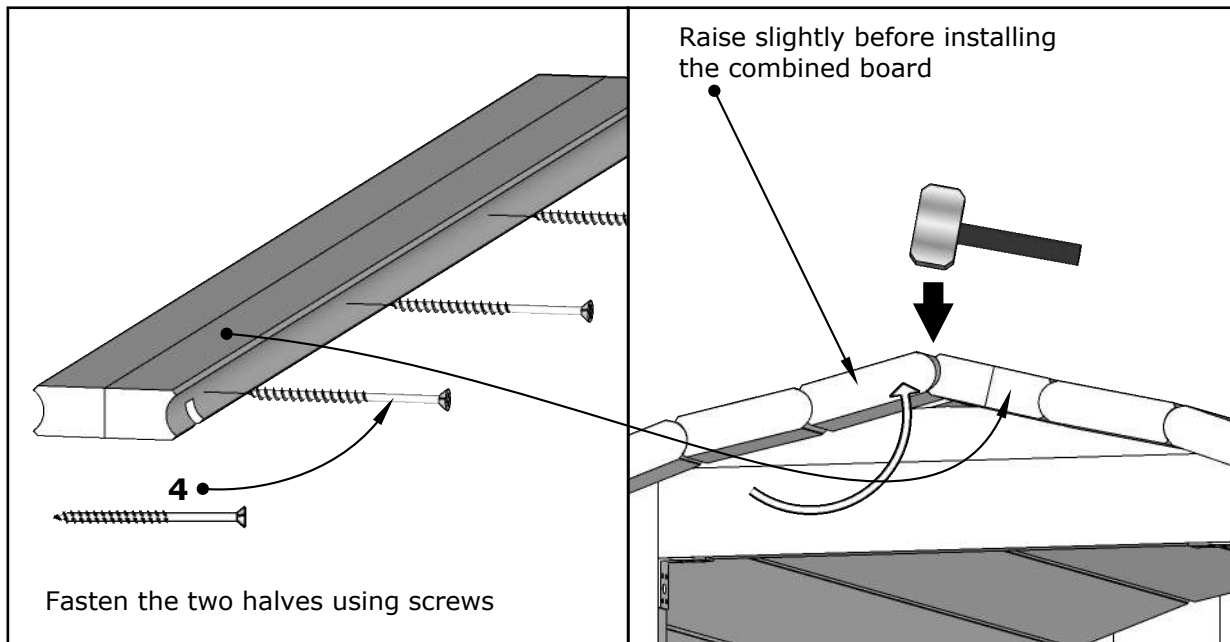
# SUBLIME FRONT GLASS Barrel Sauna 87D" x 81H"



**I**

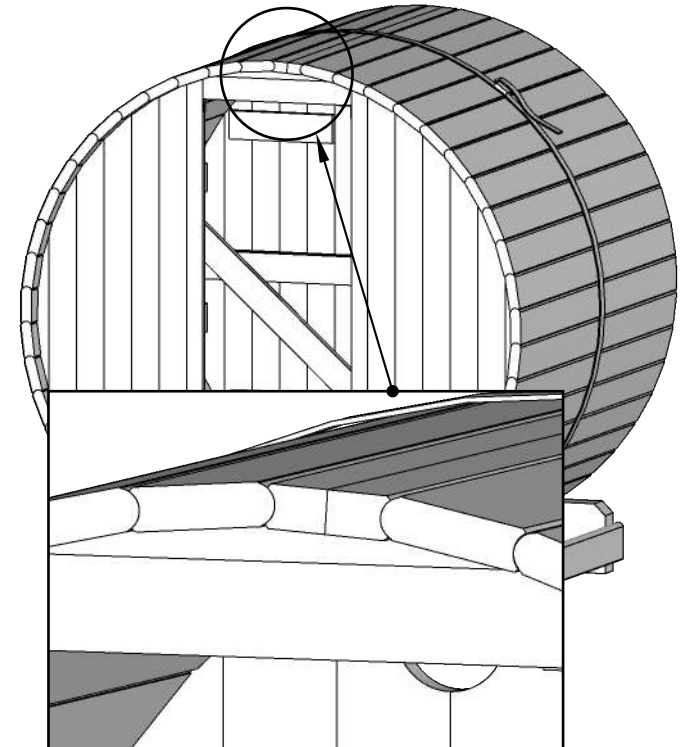
Join two boards together (as shown in diagram II) that will bridge the width of the "A" gap. It is recommended that the combined boards are approximately 1/4" wider than the gap.

If needed, trim the flat edge of the board to create the desired width.



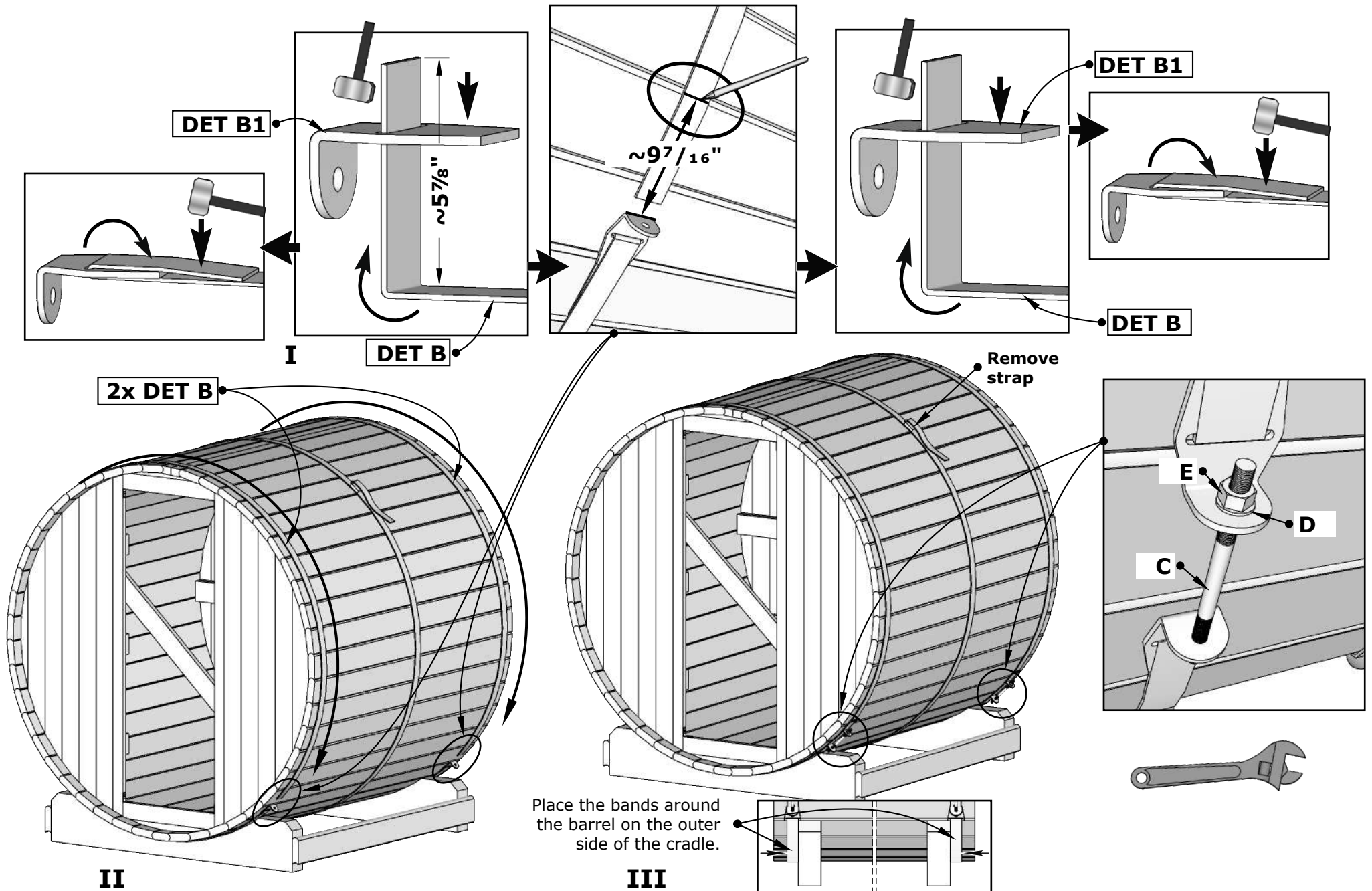
Fasten the two halves using screws

**II**



**III**

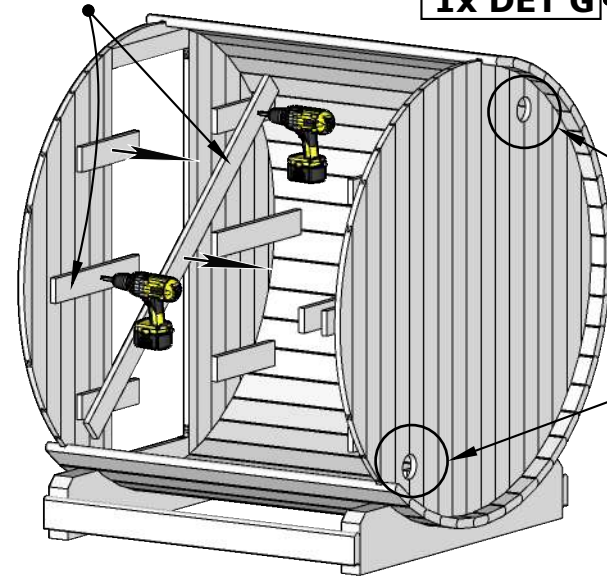
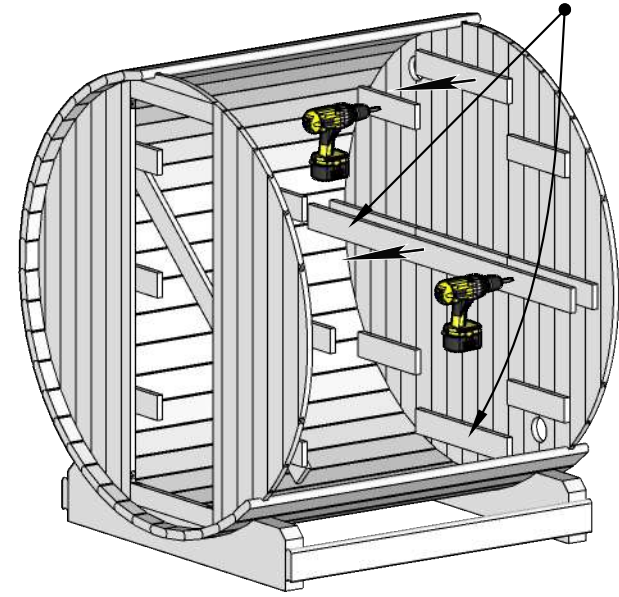
# SUBLIME FRONT GLASS Barrel Sauna 87D" x 81H"



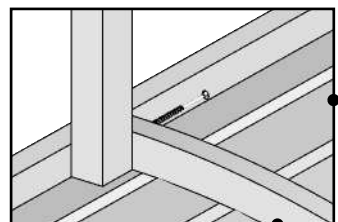
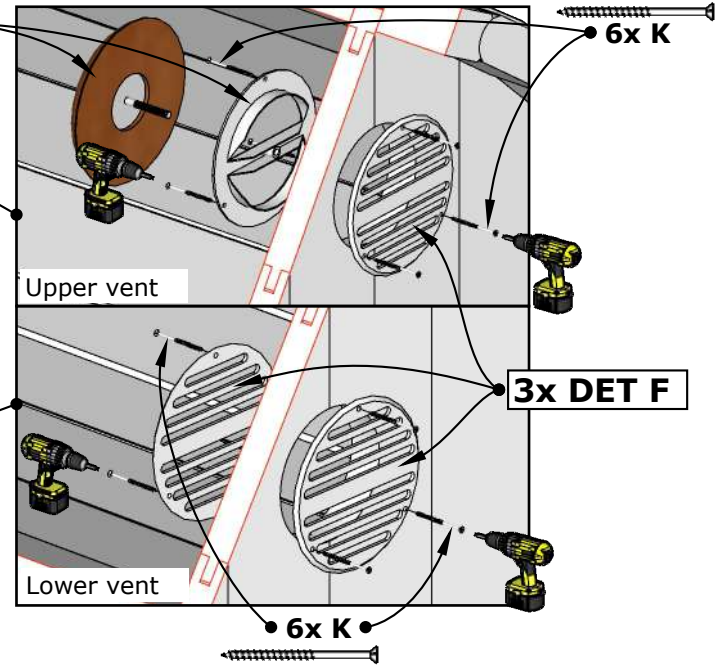


# SUBLIME FRONT GLASS Barrel Sauna 87D" x 81H"

Remove all temporary braces



1x DET G

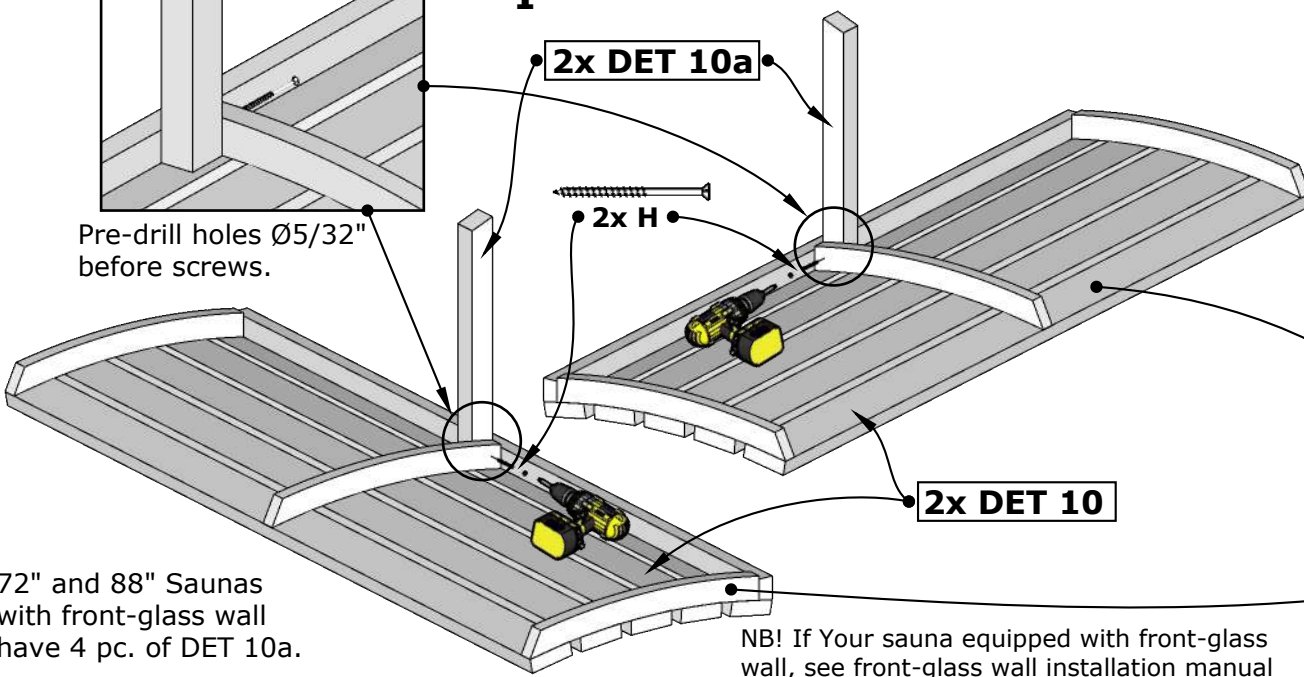


Pre-drill holes Ø5/32" before screws.

I

2x DET 10a

2x H



2x DET 10

72" and 88" Saunas with front-glass wall have 4 pc. of DET 10a.

NB! If Your sauna equipped with front-glass wall, see front-glass wall installation manual for proper benches installation.

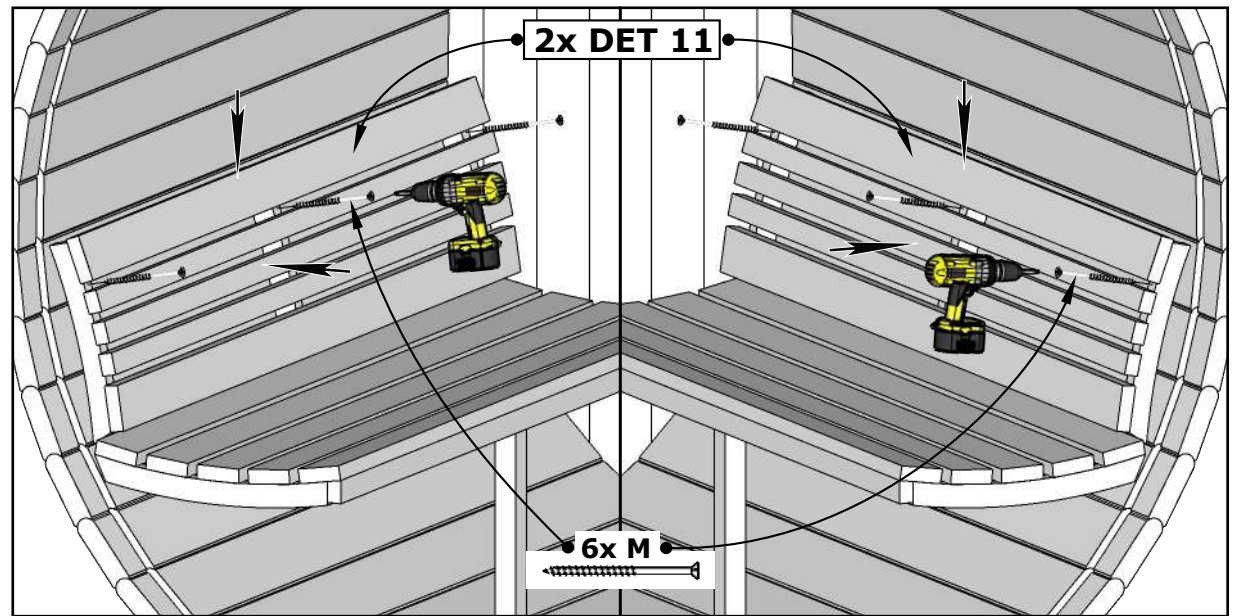
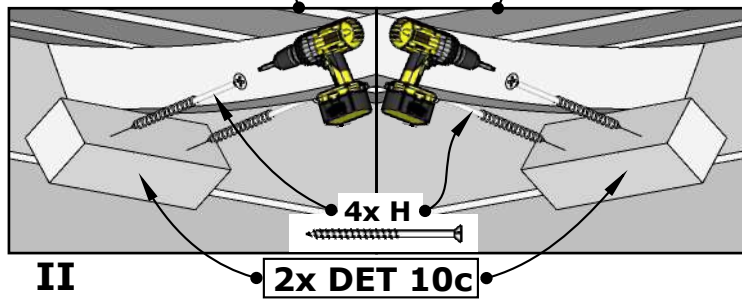
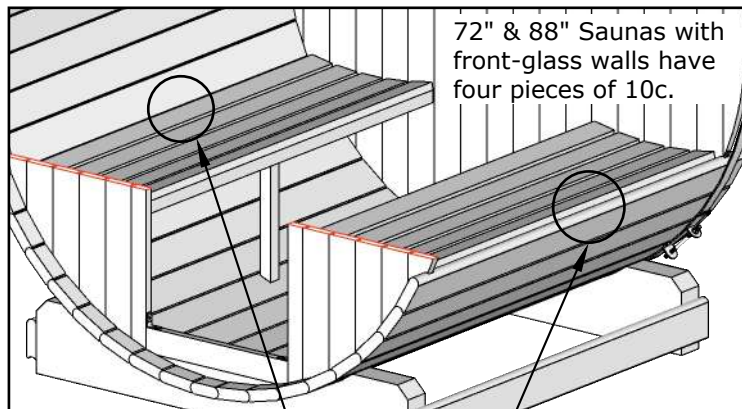
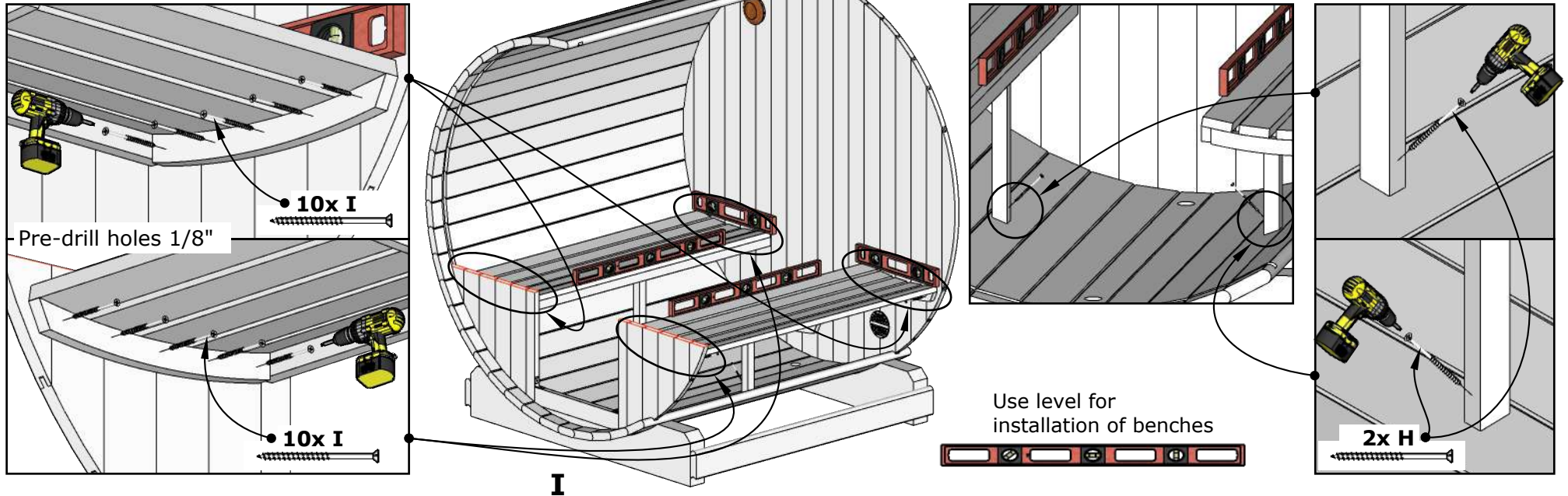


III

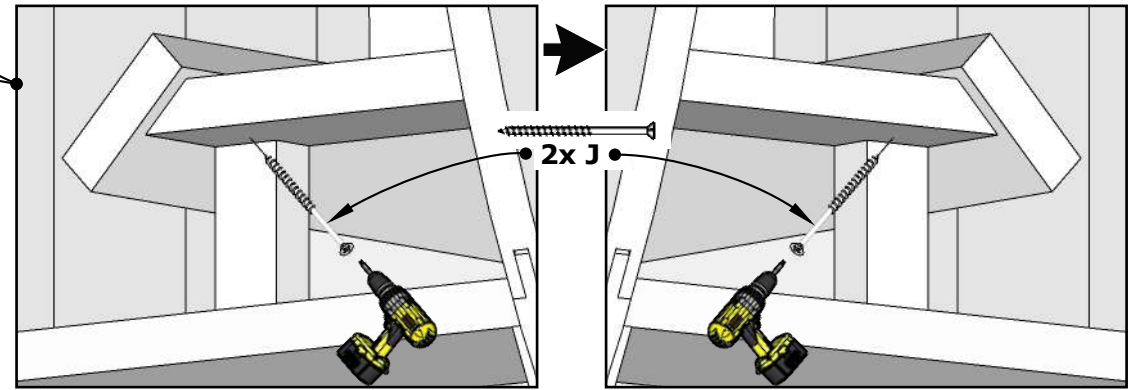
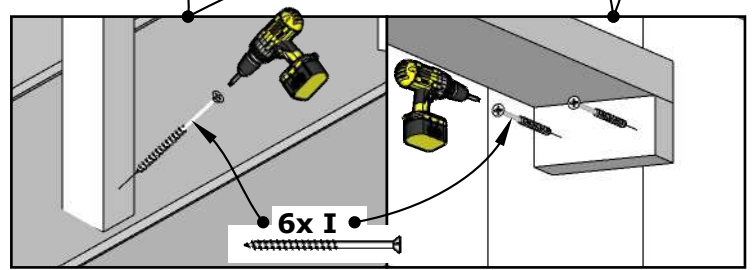
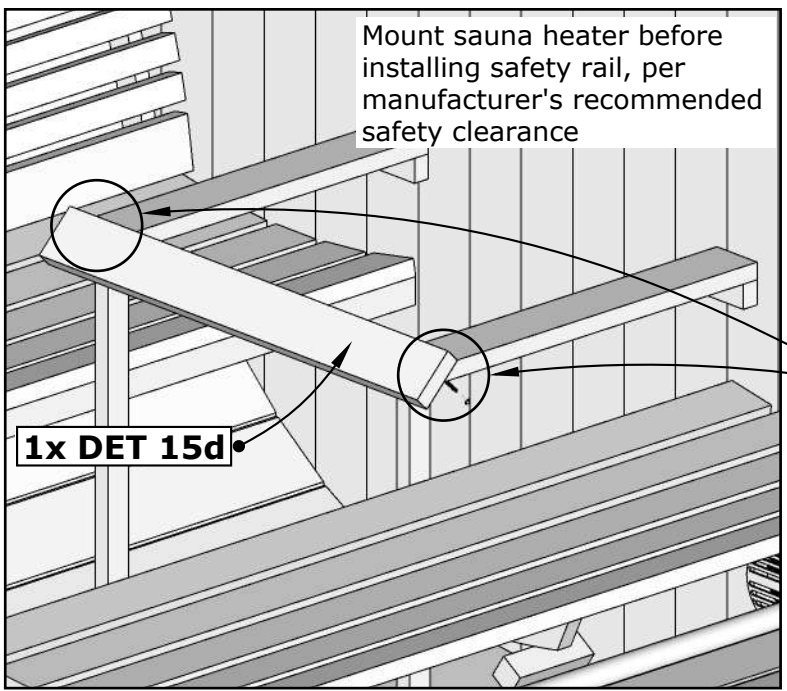
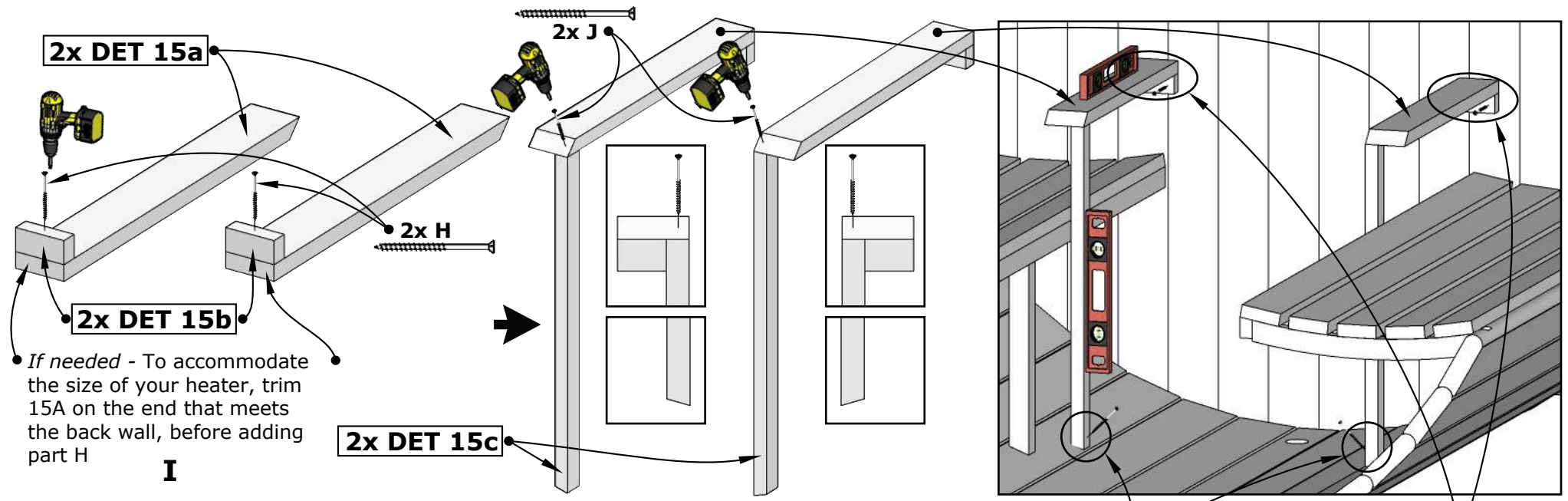
8.

II

# SUBLIME FRONT GLASS Barrel Sauna 87D" x 81H"

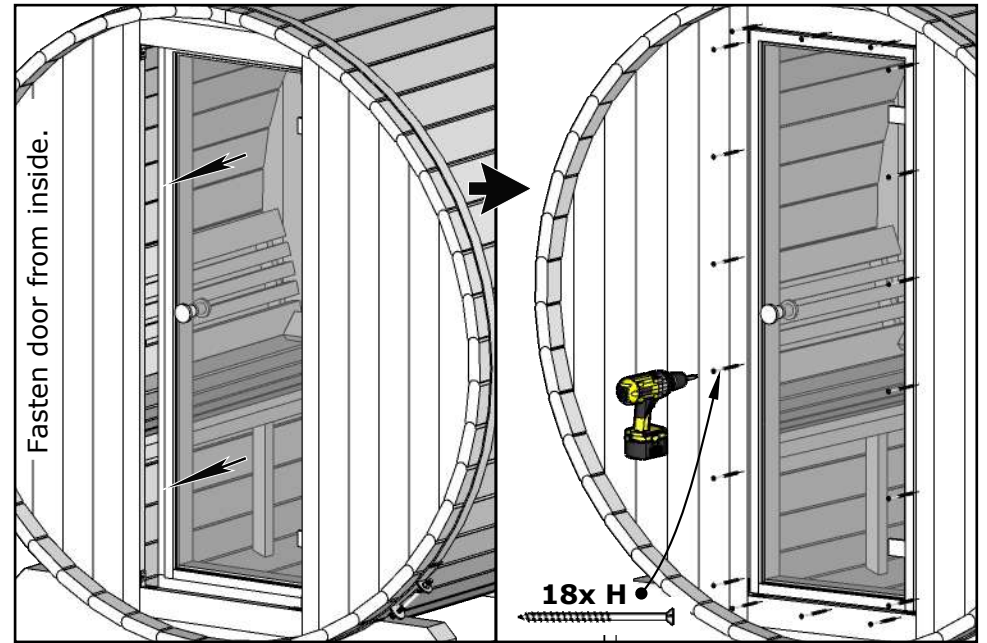
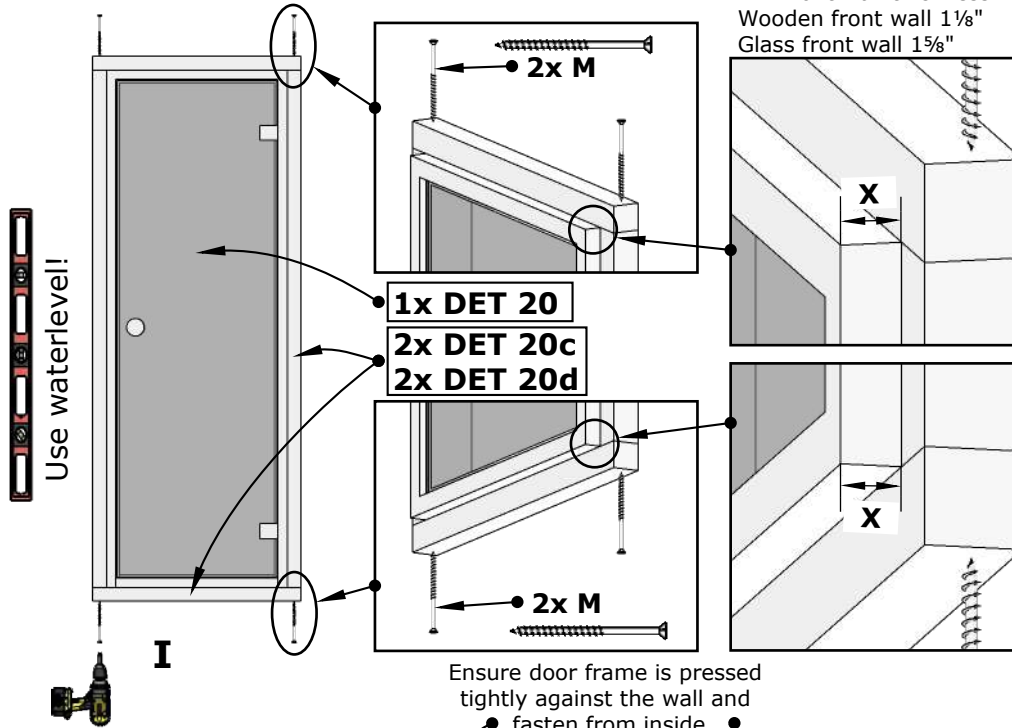


# SUBLIME FRONT GLASS Barrel Sauna 71D" x 81H"



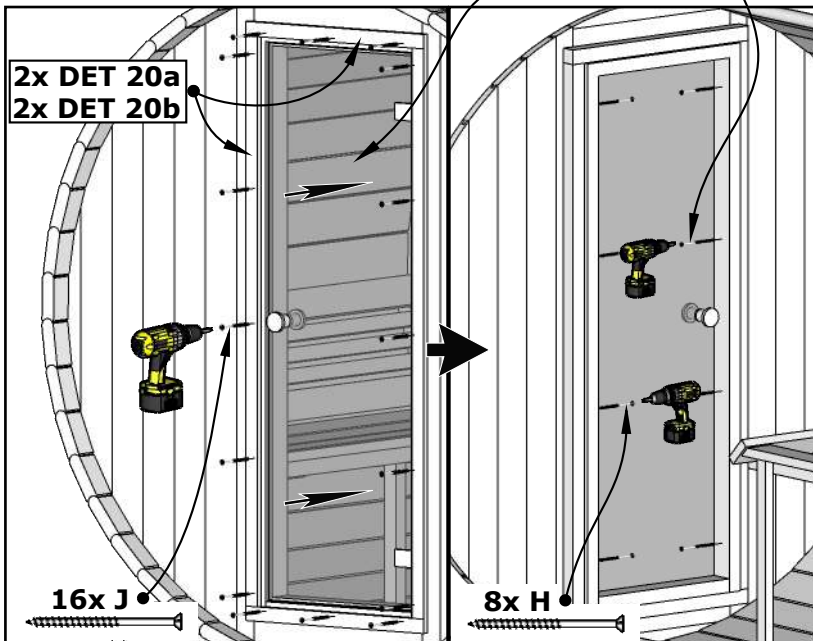
# SUBLIME FRONT GLASS Barrel Sauna 87D" x 81H"

X= Front wall thickness  
 Wooden front wall 1 1/8"  
 Glass front wall 1 5/8"

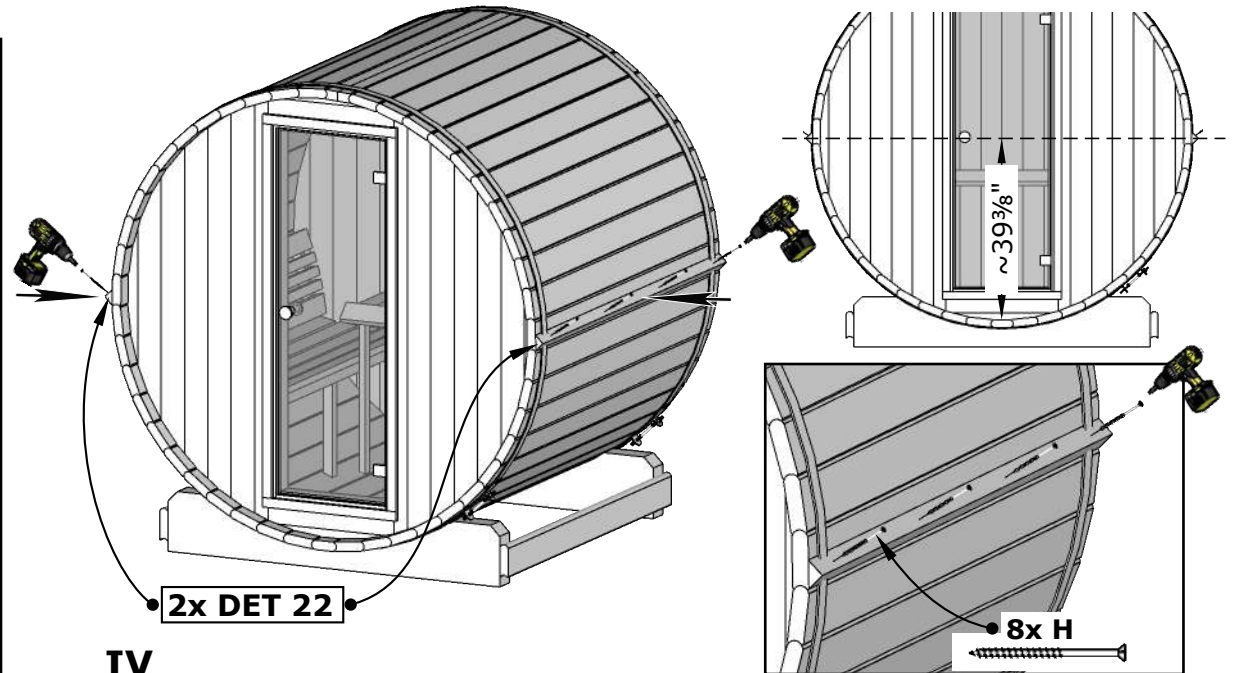


II

Ensure door frame is pressed tightly against the wall and fasten from inside



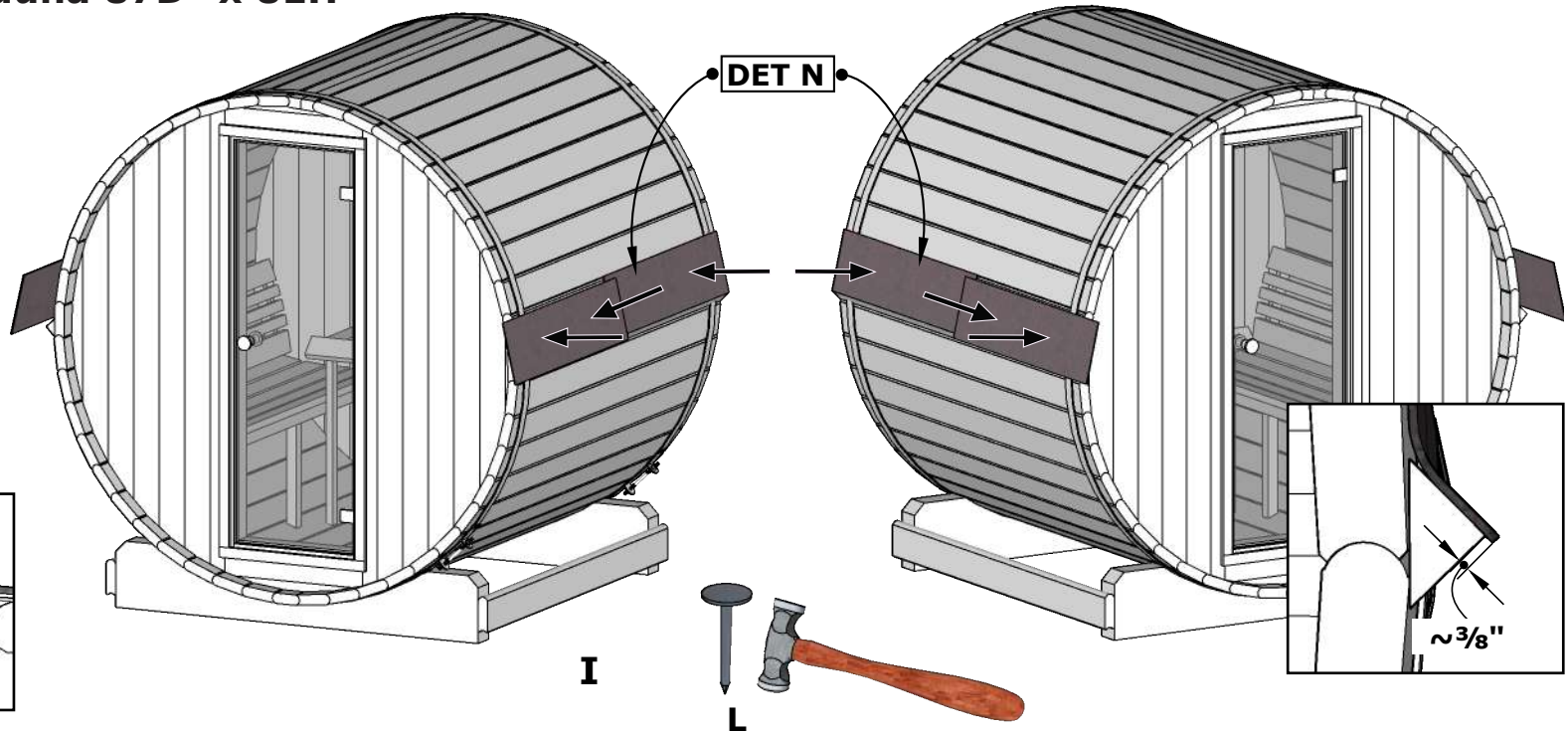
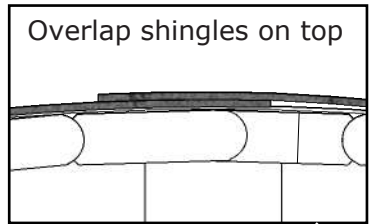
11. III



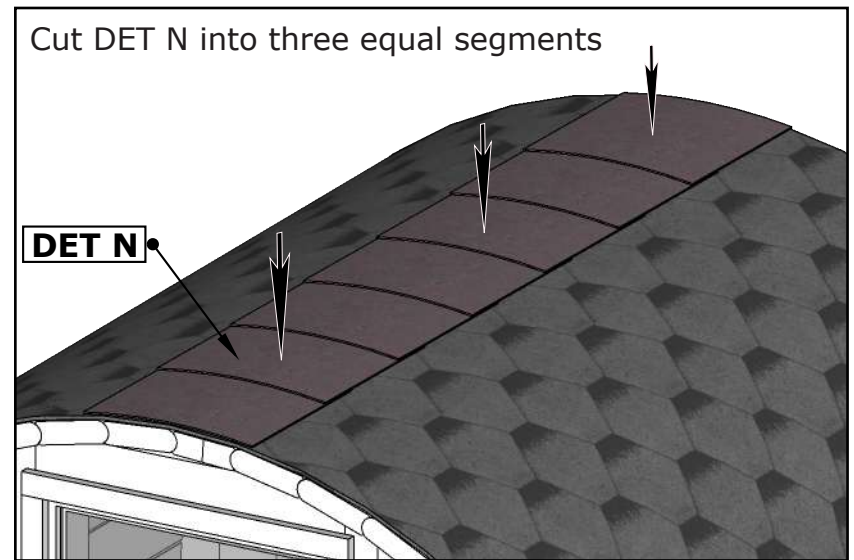
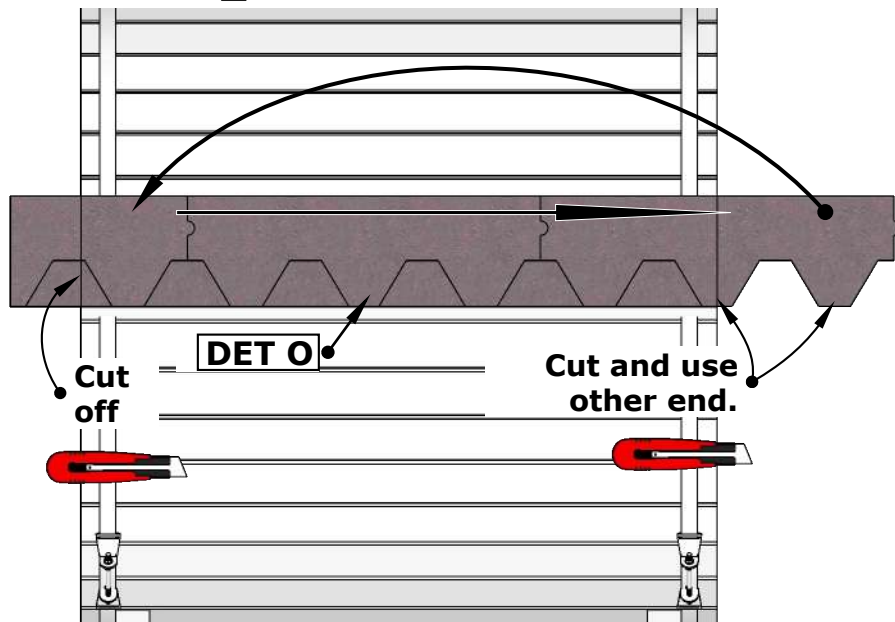
IV

# SUBLIME Barrel Sauna 87D" x 81H"

See the installation manual inside the shingles package



Check also roof shingles installation manual inside package.



# SUBLIME Barrel Sauna 87D" x 81H"

