

SALUS  SAUNAS

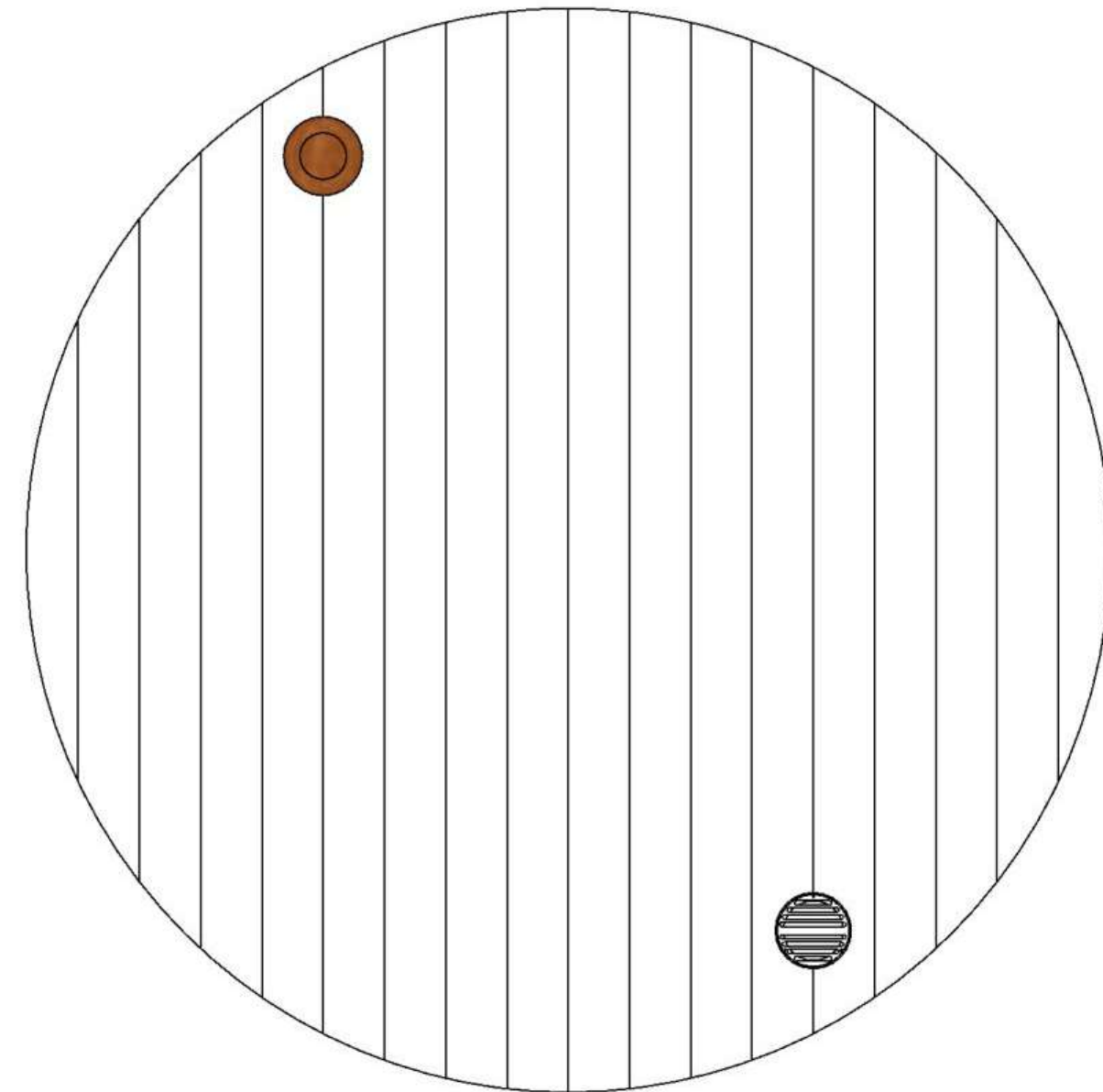
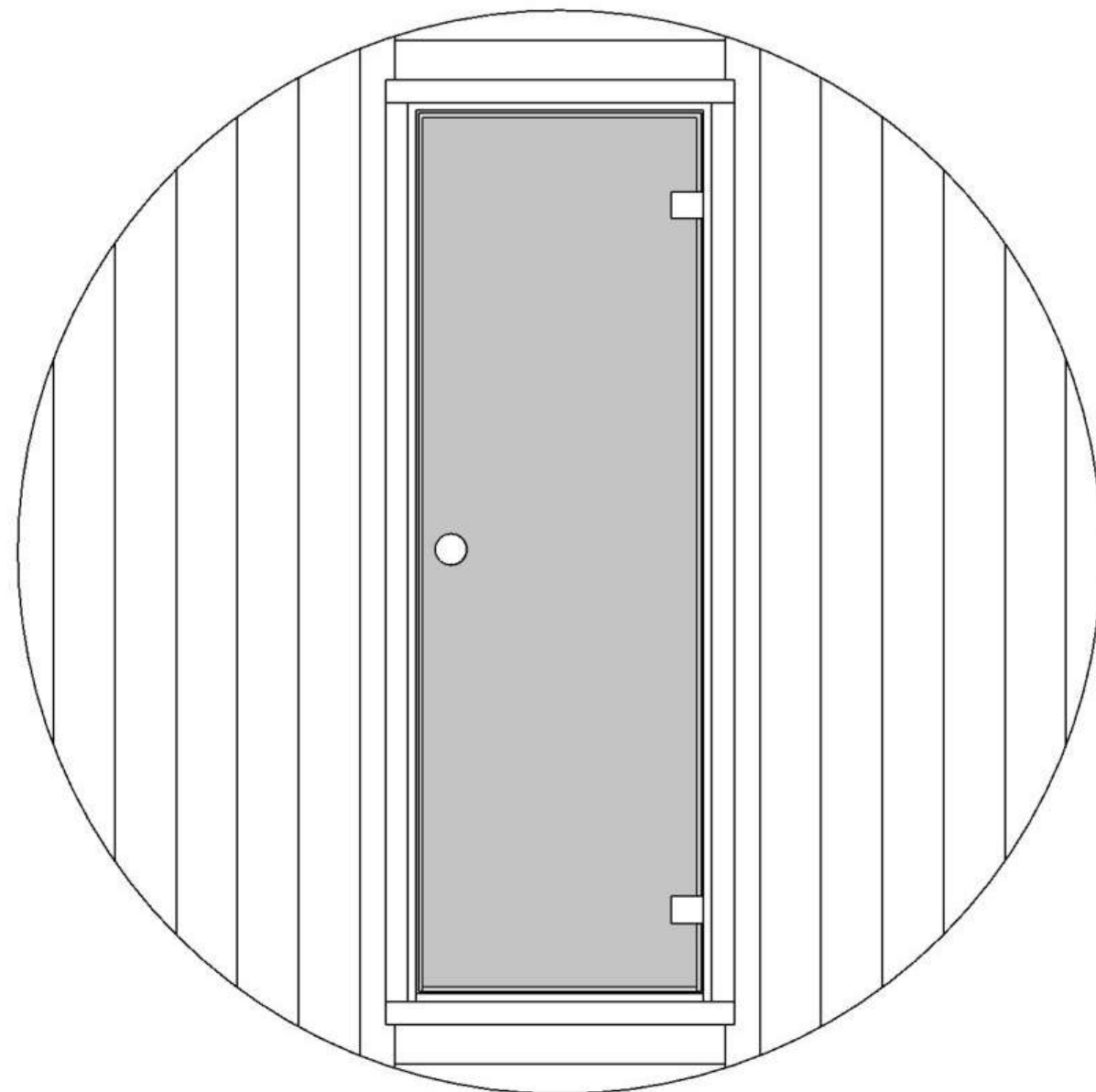


SUBLIME 6-PERSON BARREL SAUNA

OWNER'S MANUAL

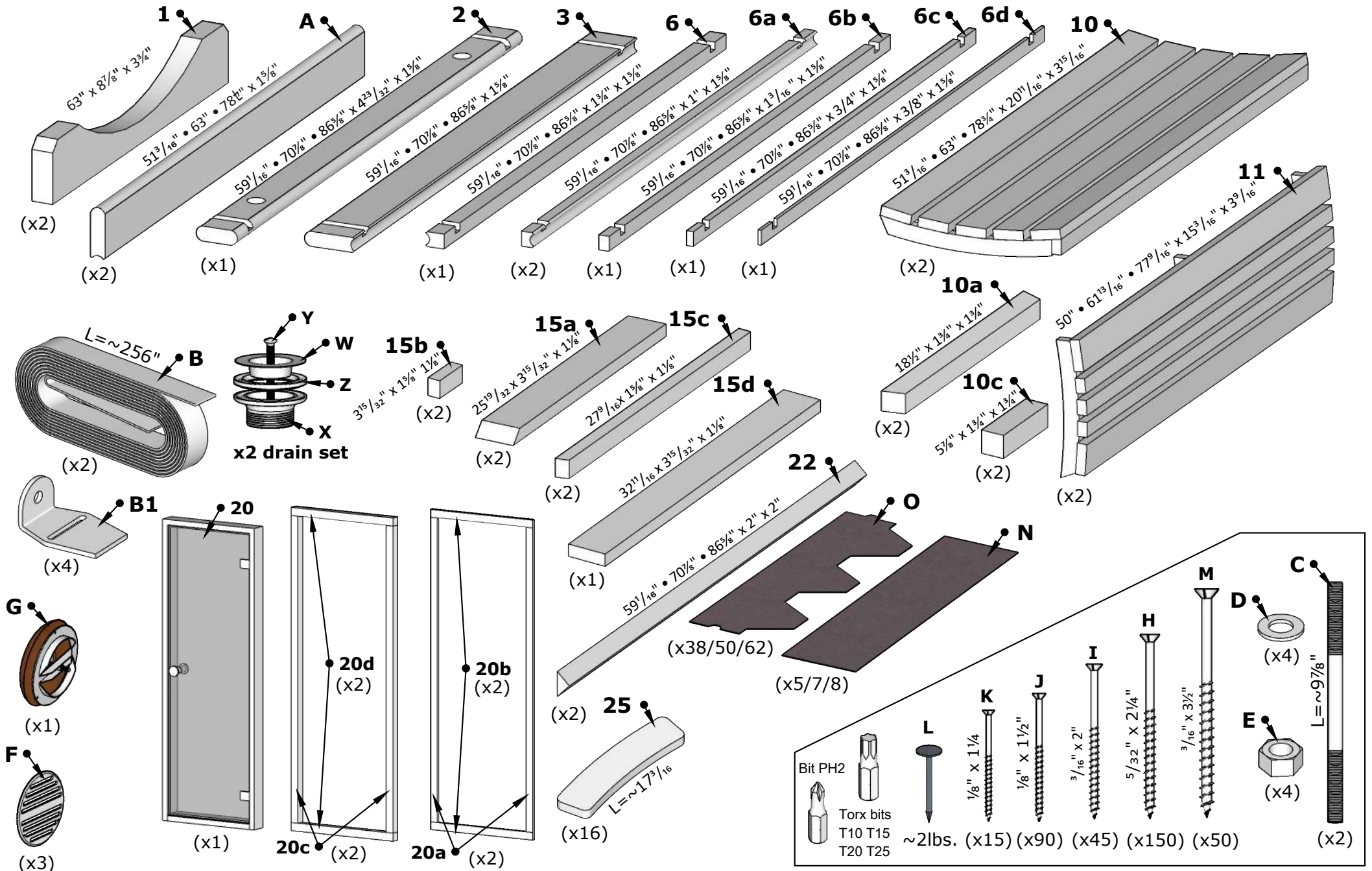
WARNING! Do not place anything combustible close to heater, above the heater, and on both sides of the heater. This includes but not limited to towels, lights, robe hooks, accessories, etc. Nothing should be on the same wall as your heater that is combustible.

Front & Back Walls

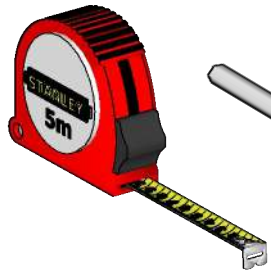


SUBLIME Barrel Sauna 87D" x 81H"

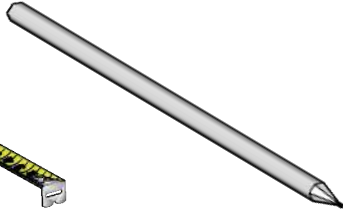
Details list.



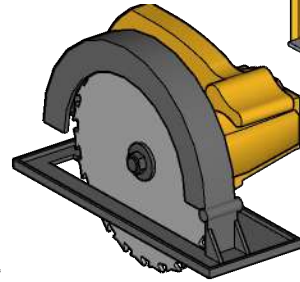
Tools needed



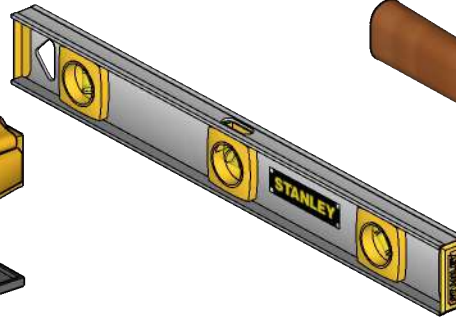
Measuring tape



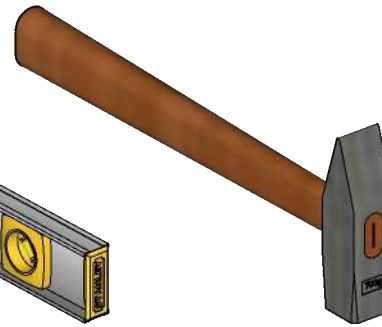
Marker pen



Circular saw



Water level



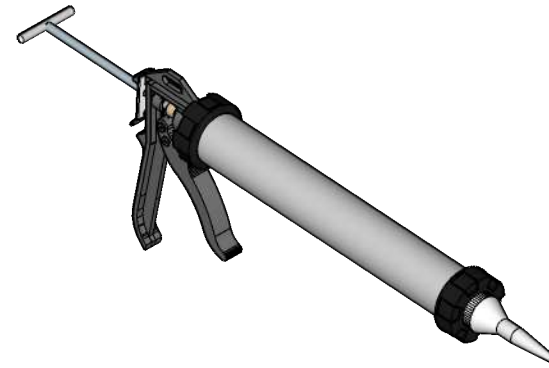
Hammer



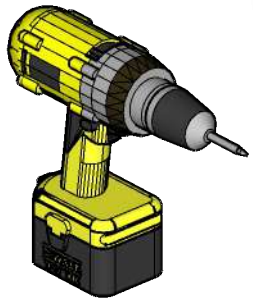
Extra hands



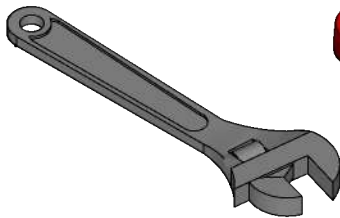
Ratchet strap



Silicone gun
(Only glass-wall models)



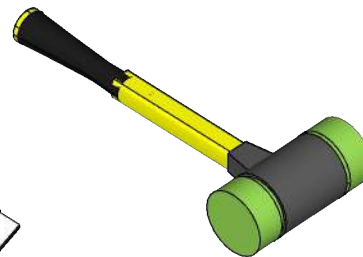
Drill



Crescent wrench



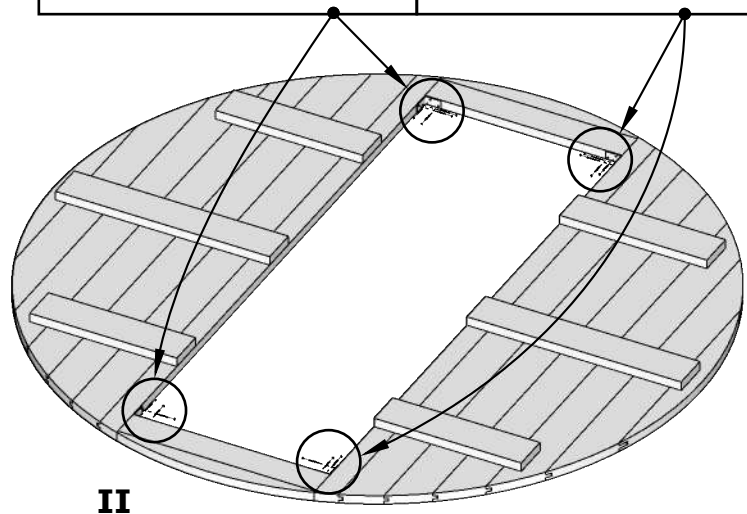
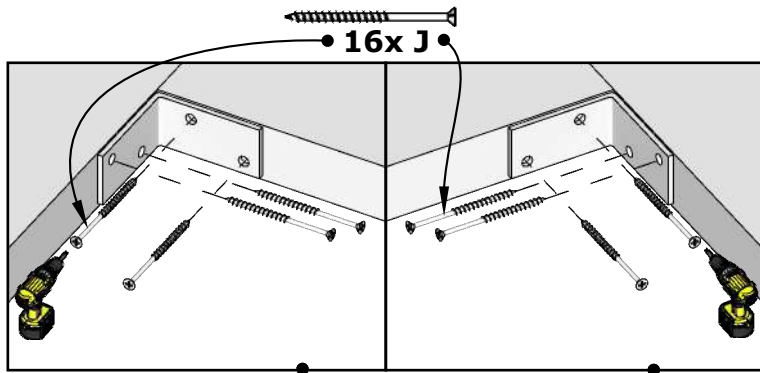
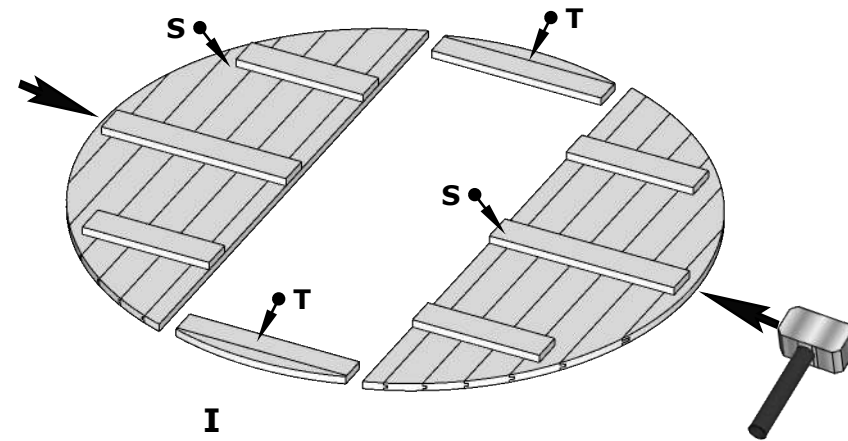
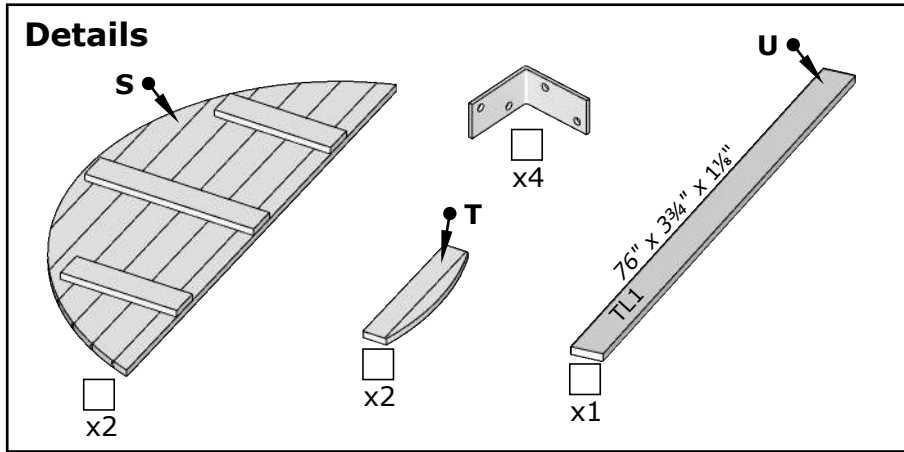
Utility knife



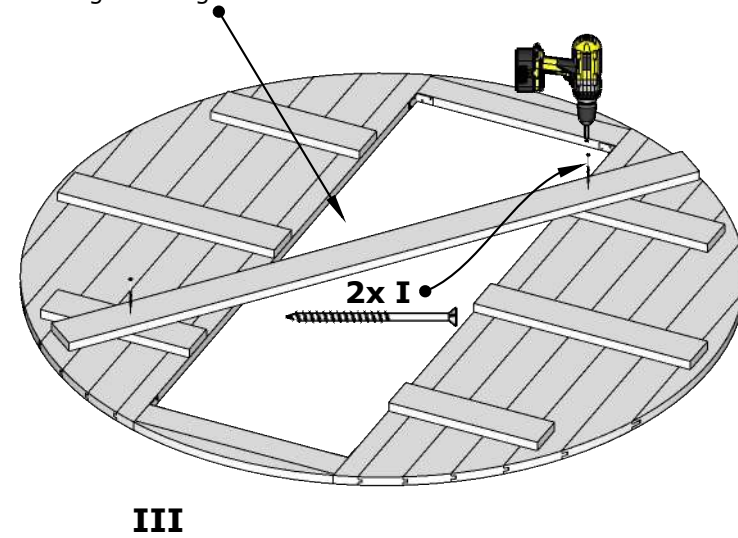
Rubber mallet

Wooden front wall installation

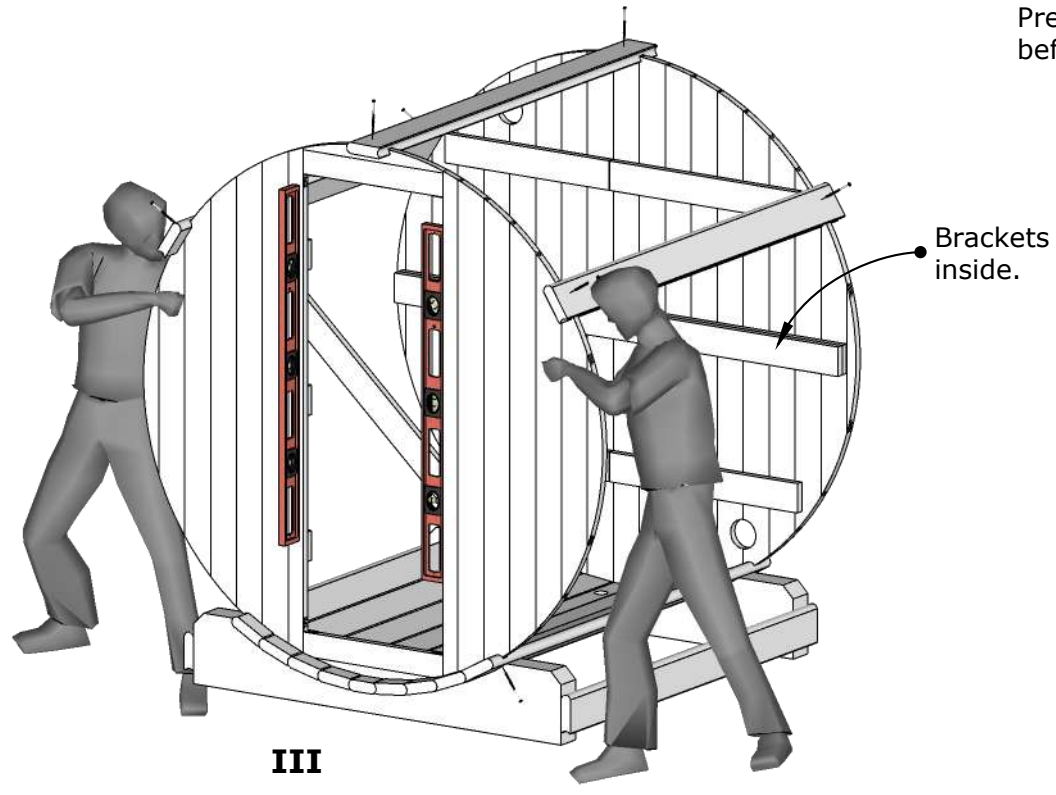
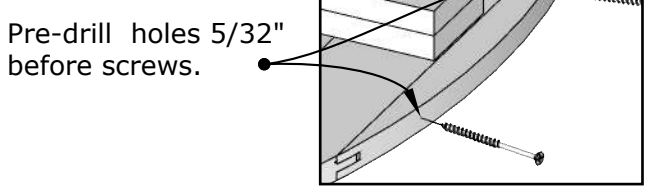
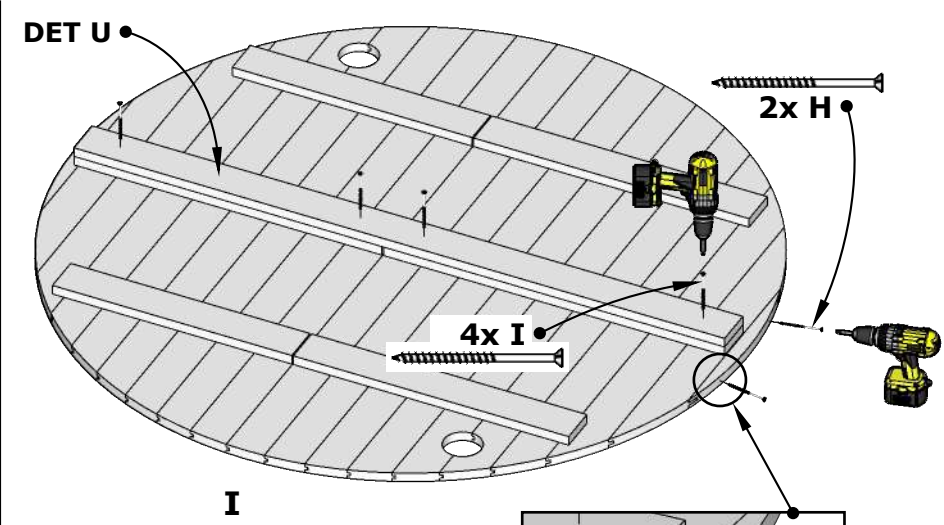
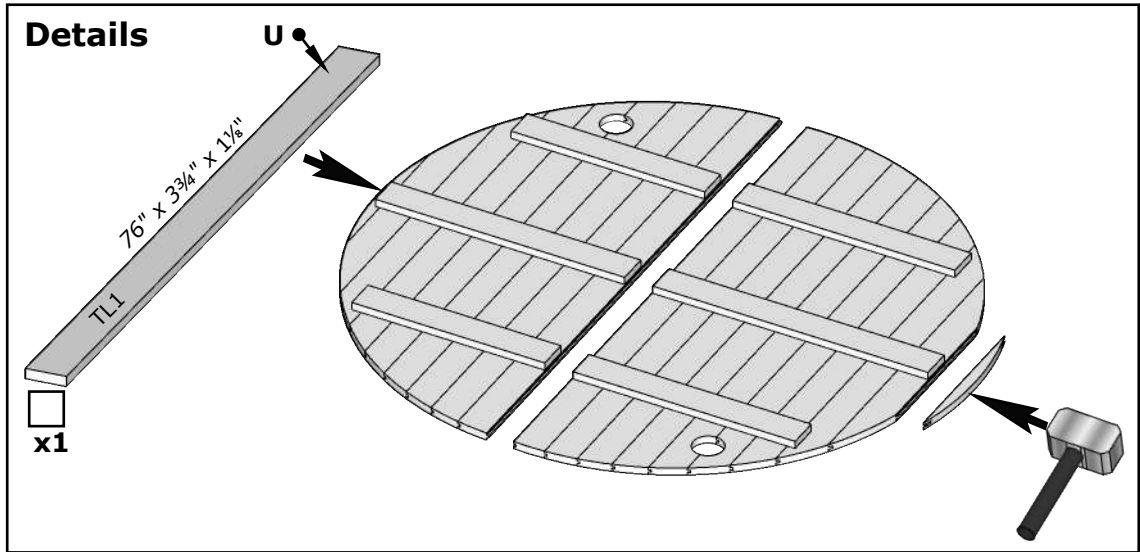
Details



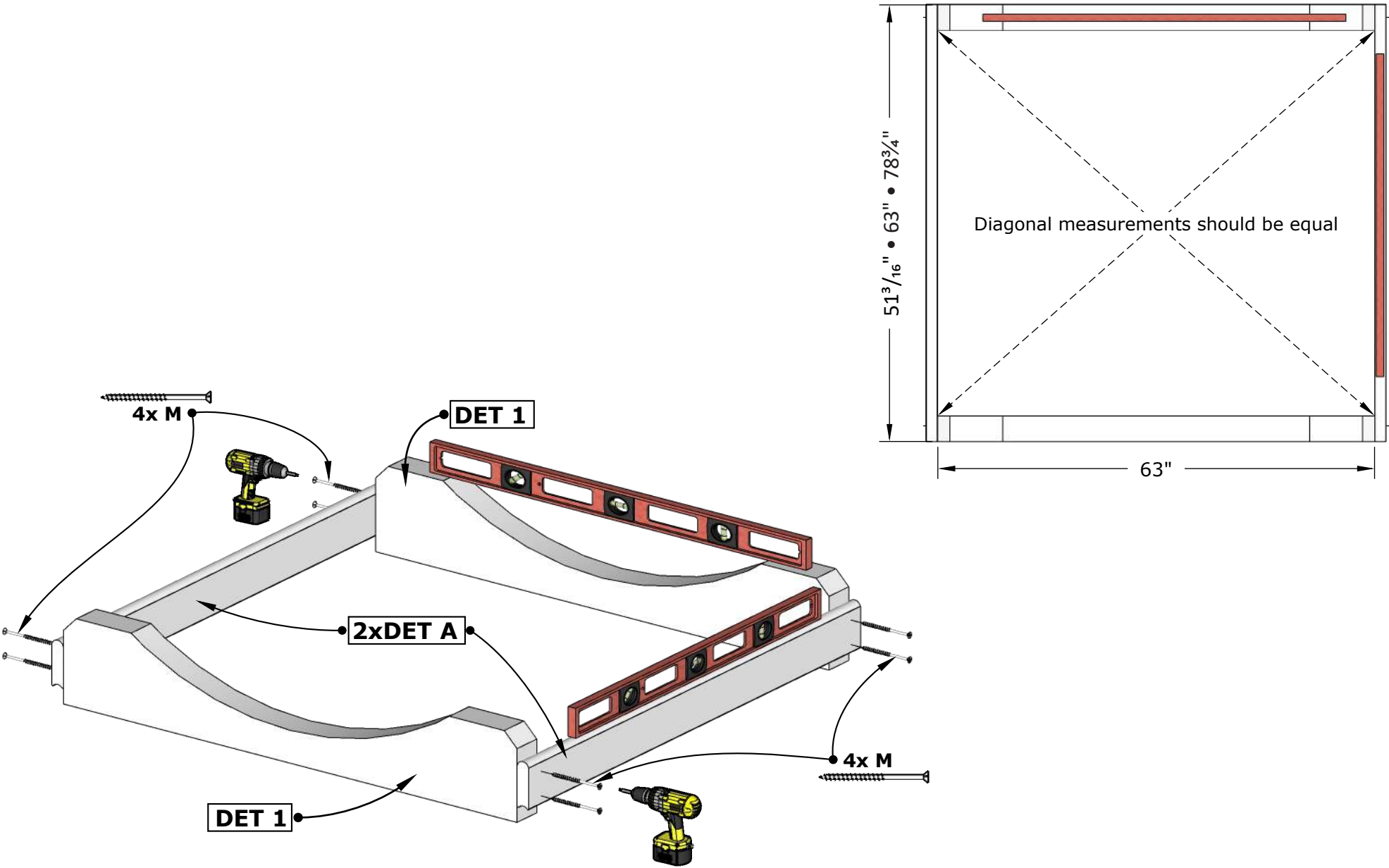
DET U Fix it diagonally to make wall more rigid during the installation.



Wooden back wall installation

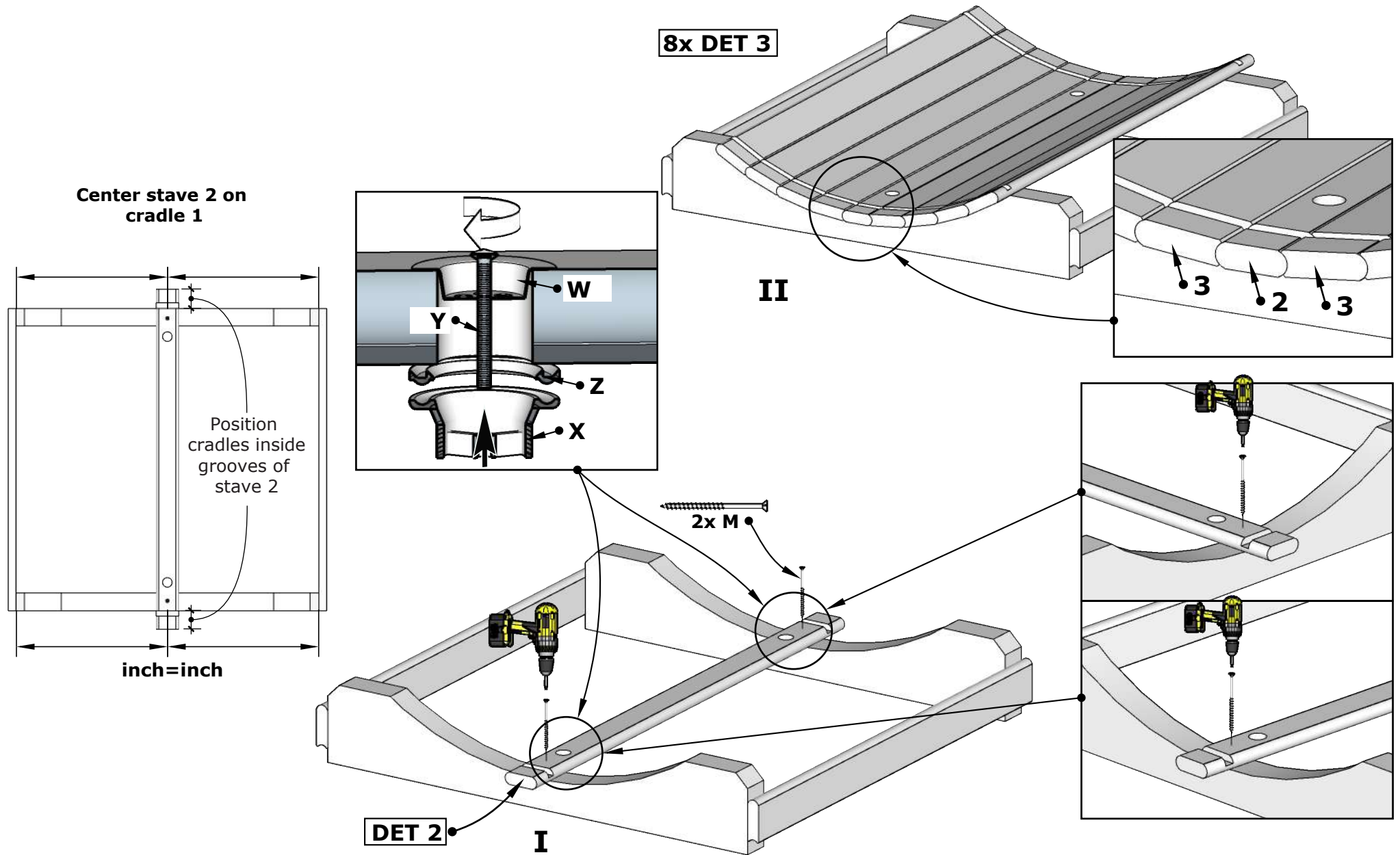


SUBLIME Barrel Sauna 87D" x 81H"

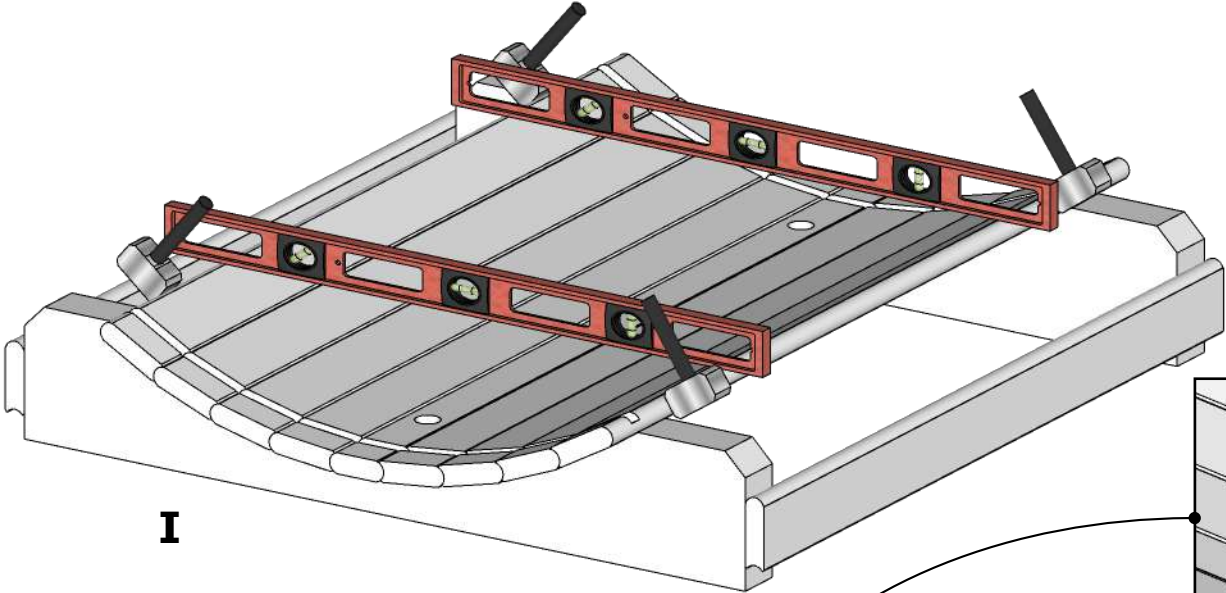


1.

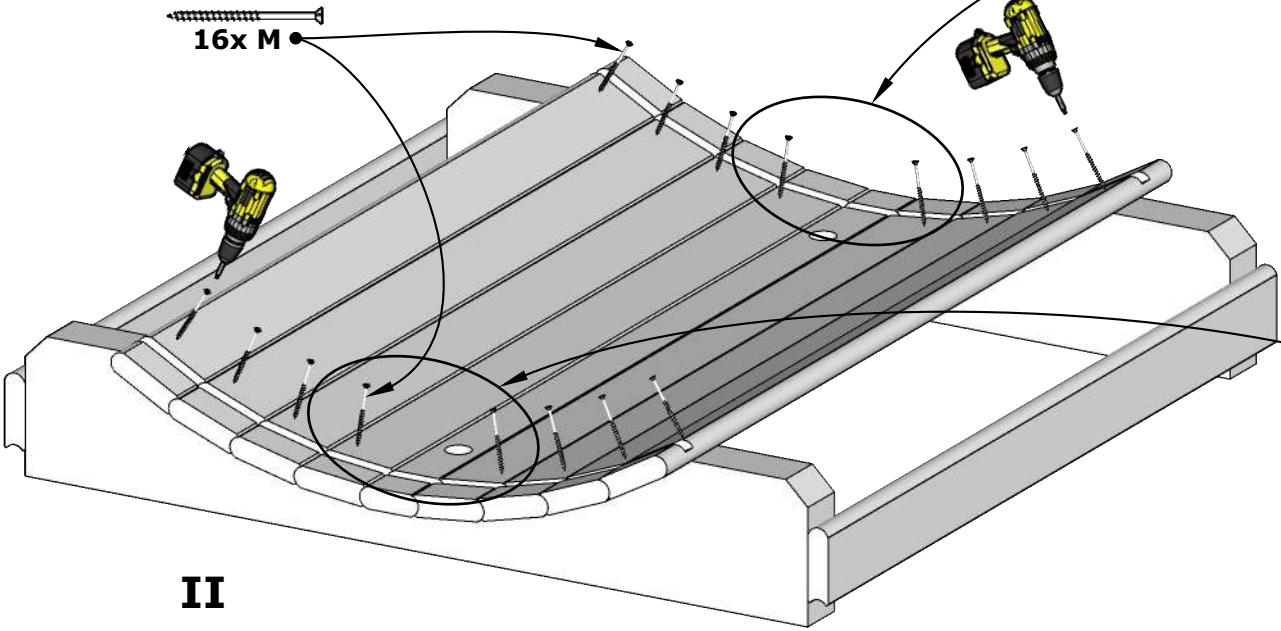
SUBLIME Barrel Sauna 87D" x 81H"



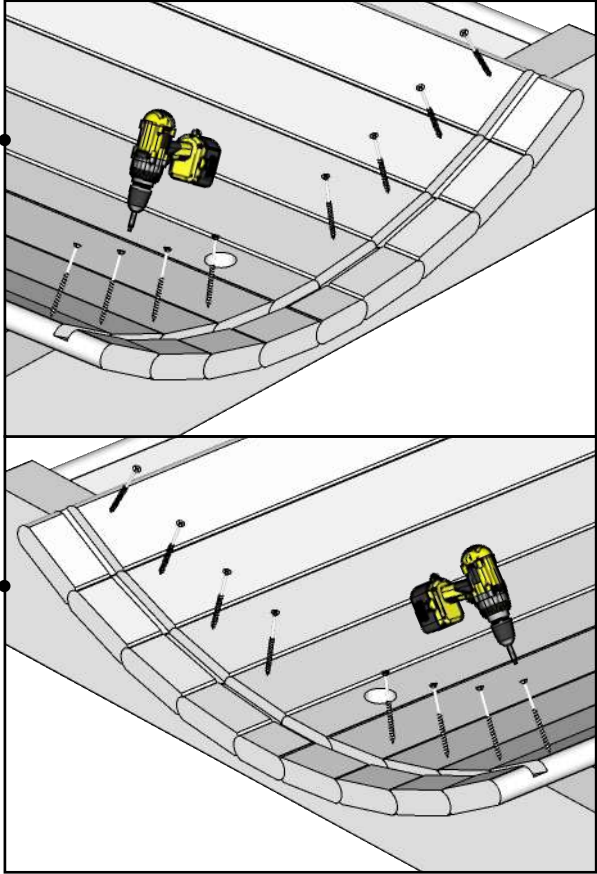
SUBLIME Barrel Sauna 87D" x 81H"



I

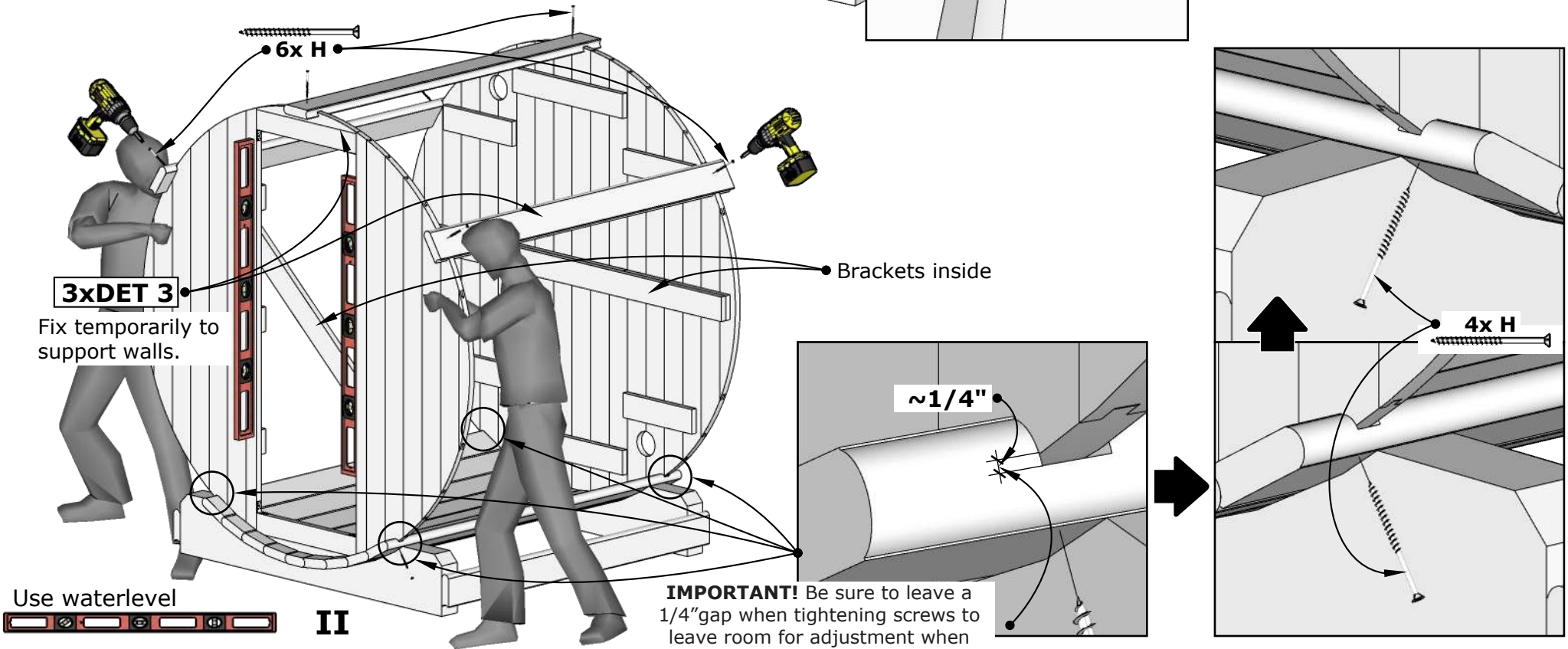
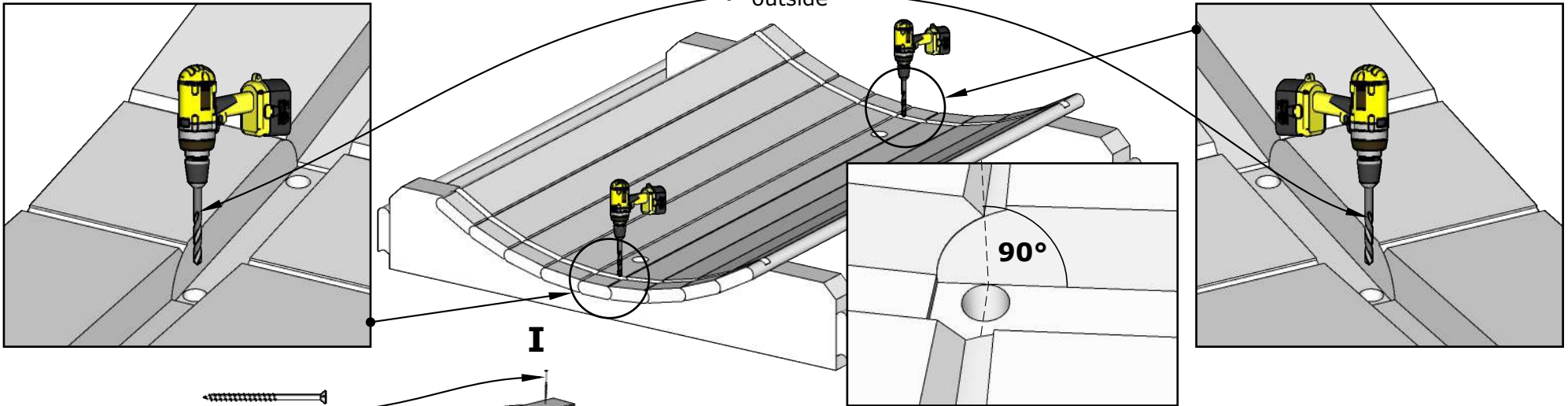


II

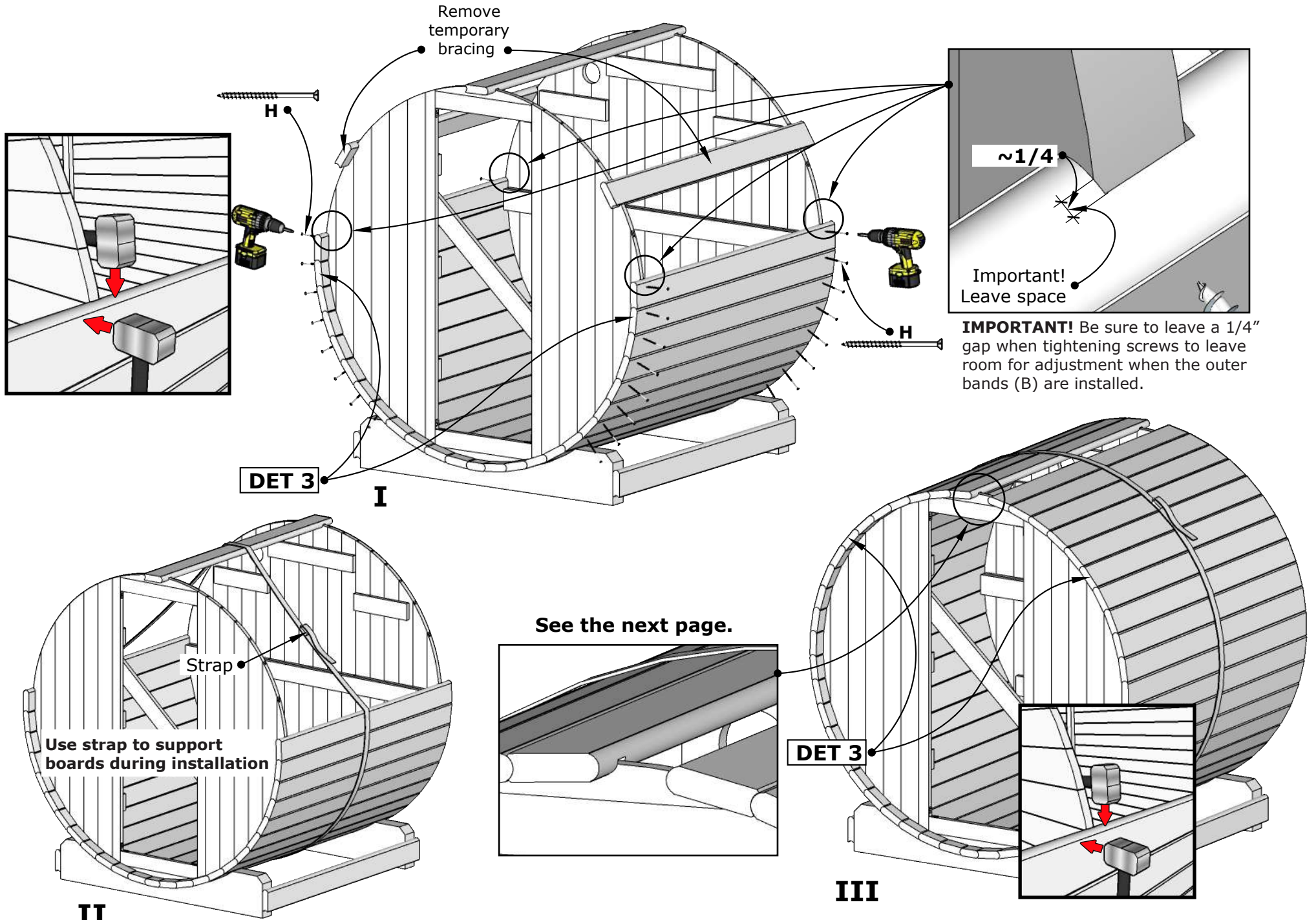


SUBLIME Barrel Sauna 87D" x 81H"

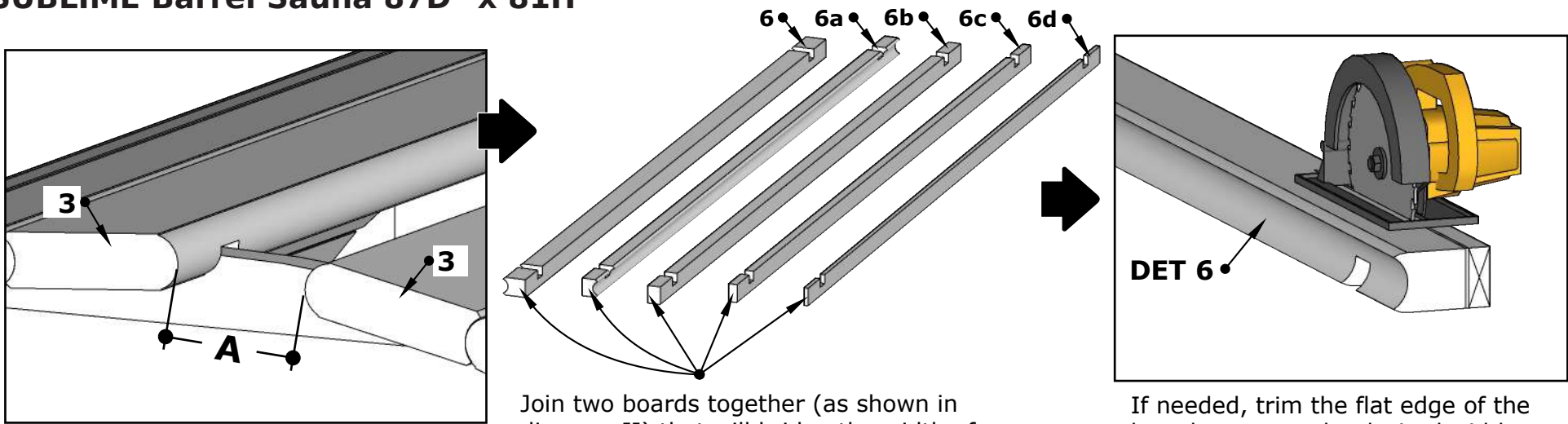
Drill 4 holes $\varnothing 1/2"$
through DET 2
outside



SUBLIME Barrel Sauna 87D" x 81H"



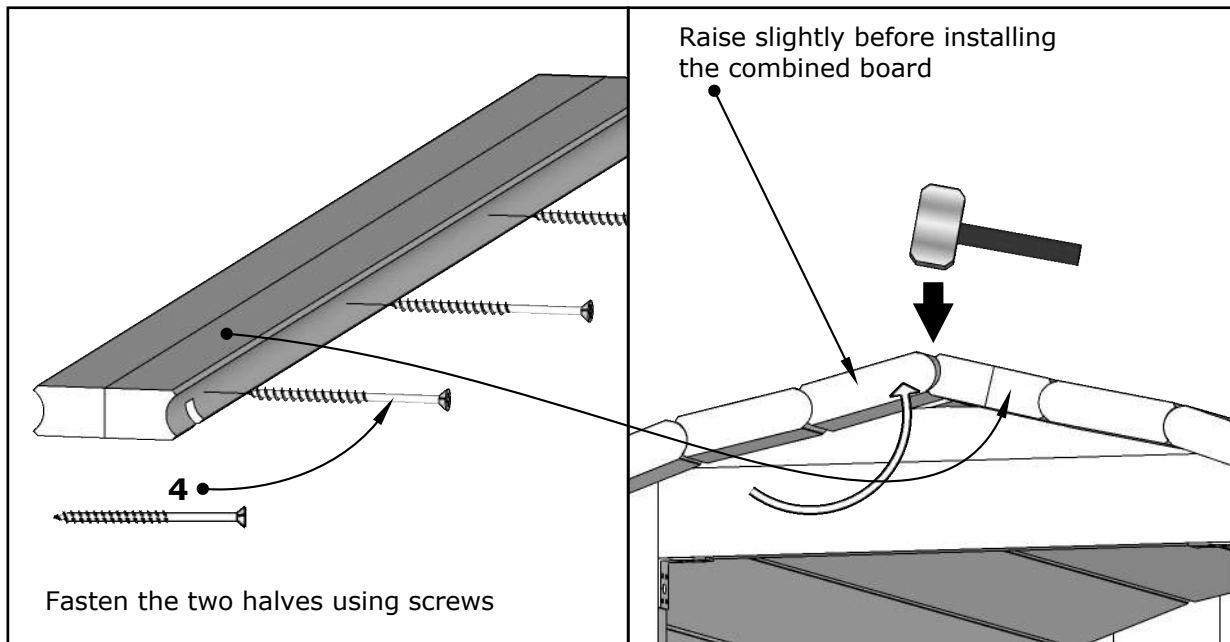
SUBLIME Barrel Sauna 87D" x 81H"



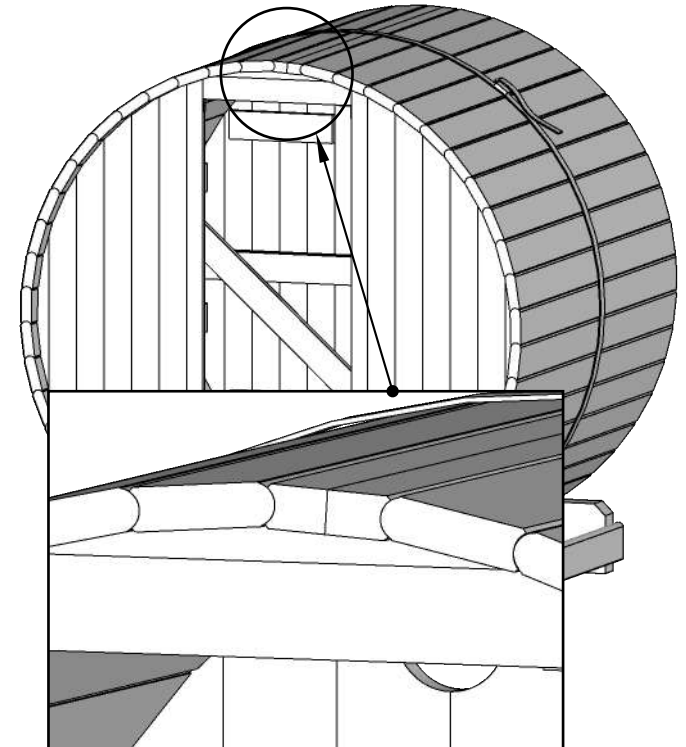
I

Join two boards together (as shown in diagram II) that will bridge the width of the "A" gap. It is recommended that the combined boards are approximately 1/4" wider than the gap.

If needed, trim the flat edge of the board to create the desired width.

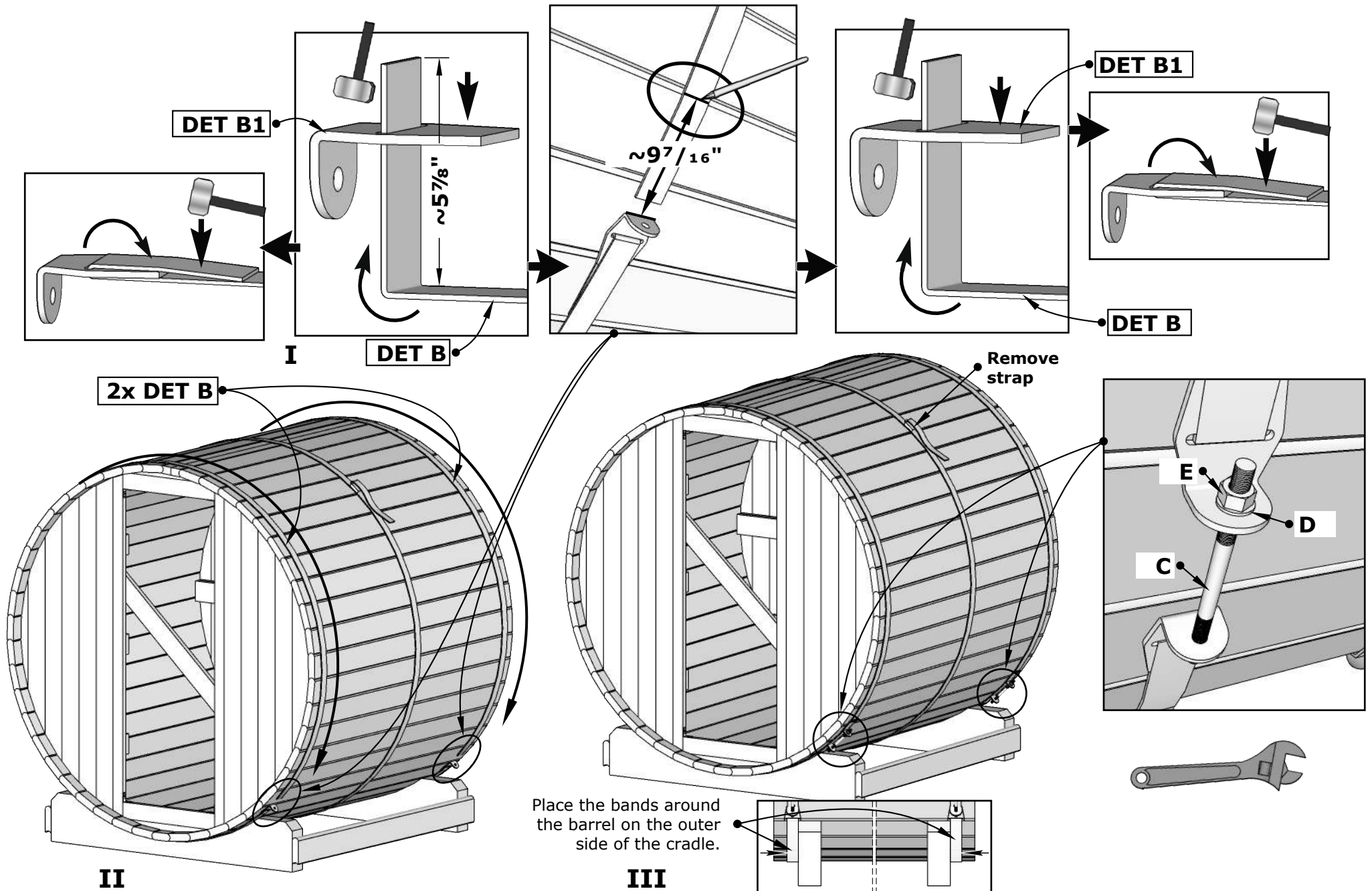


II



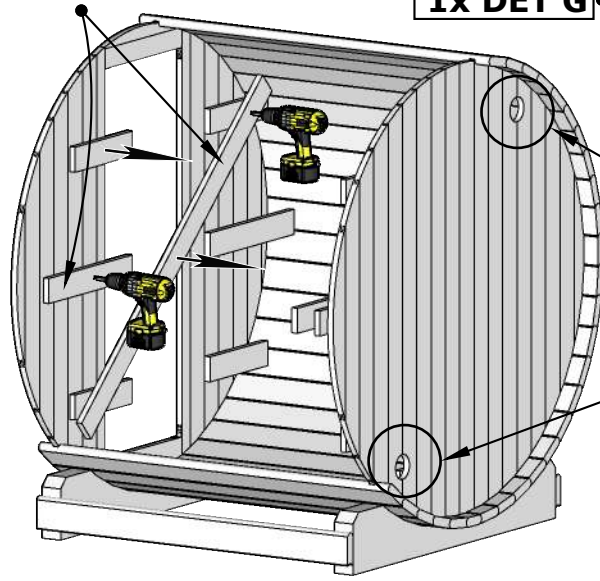
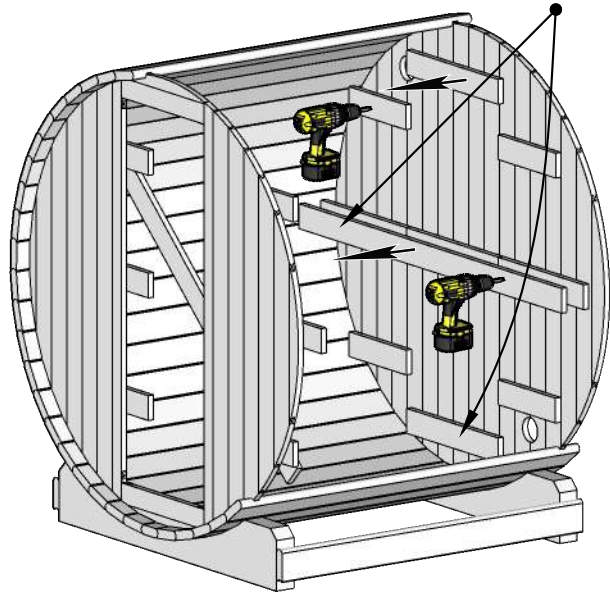
III

SUBLIME Barrel Sauna 87D" x 81H"

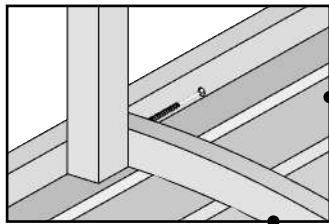
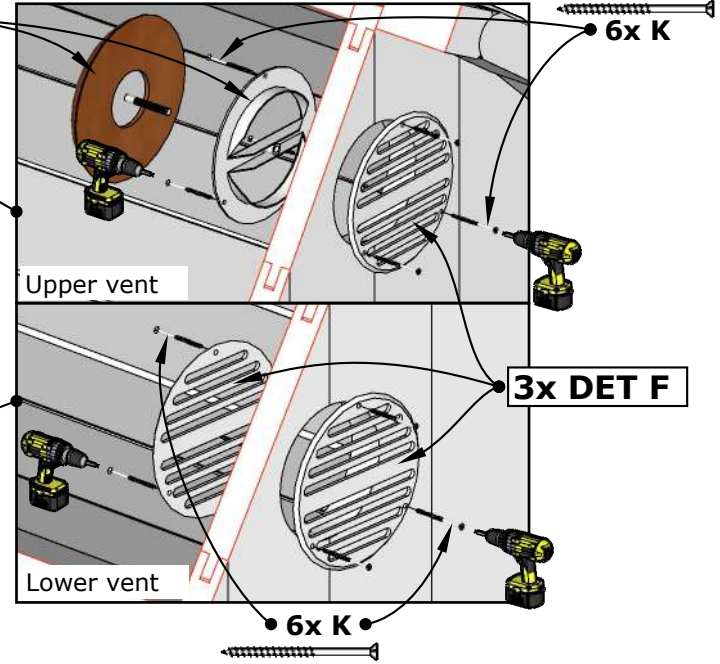


SUBLIME Barrel Sauna 87D" x 81H"

Remove all temporary braces



1x DET G

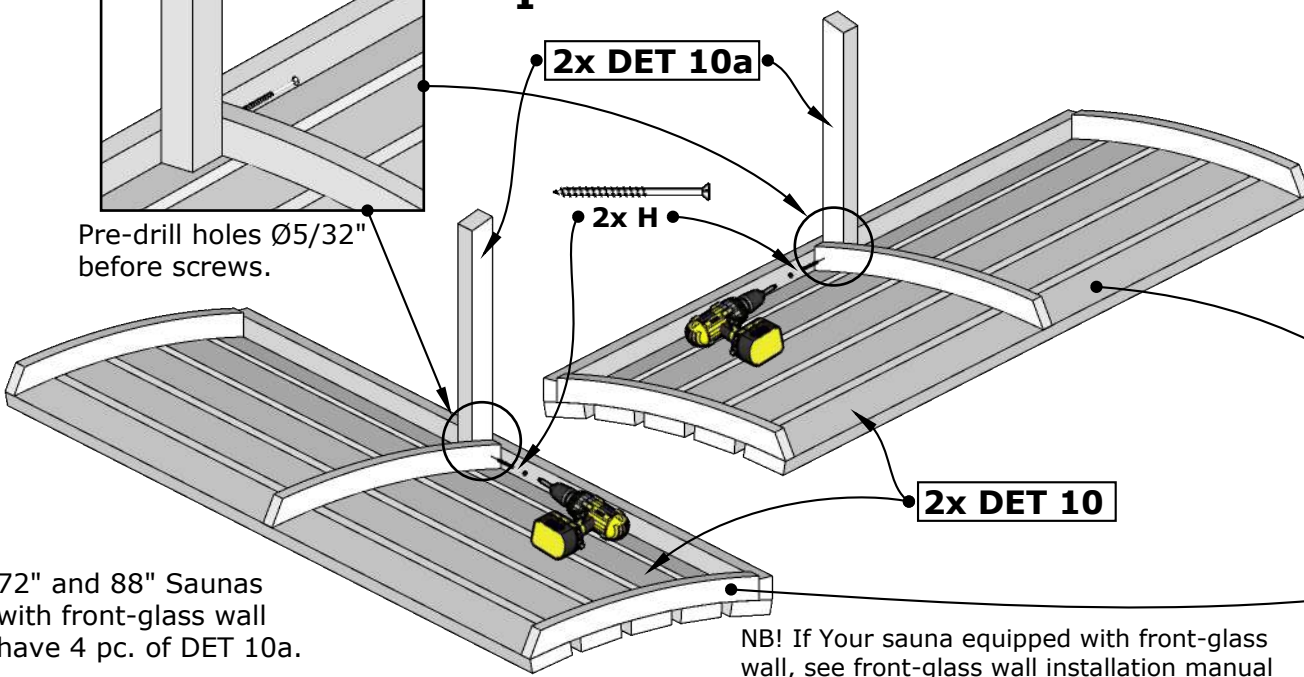


Pre-drill holes Ø5/32" before screws.

I

2x DET 10a

2x H

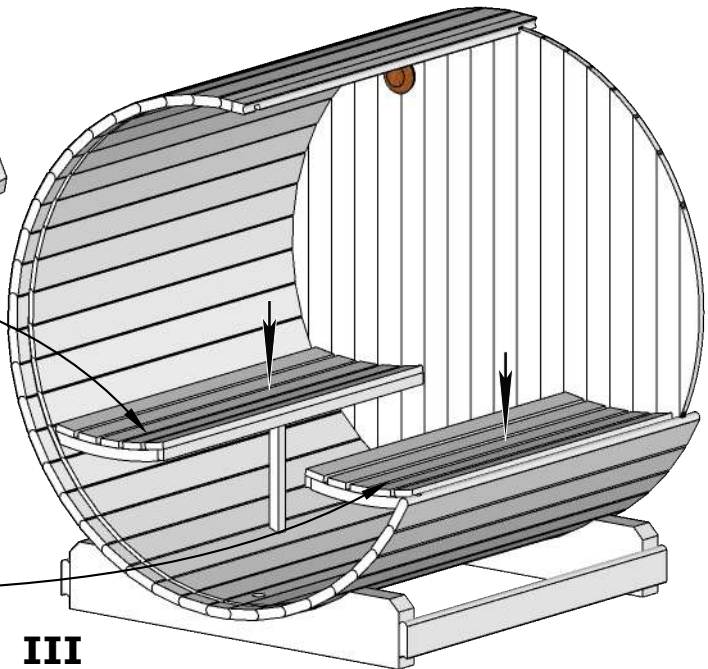


2x DET 10

72" and 88" Saunas with front-glass wall have 4 pc. of DET 10a.

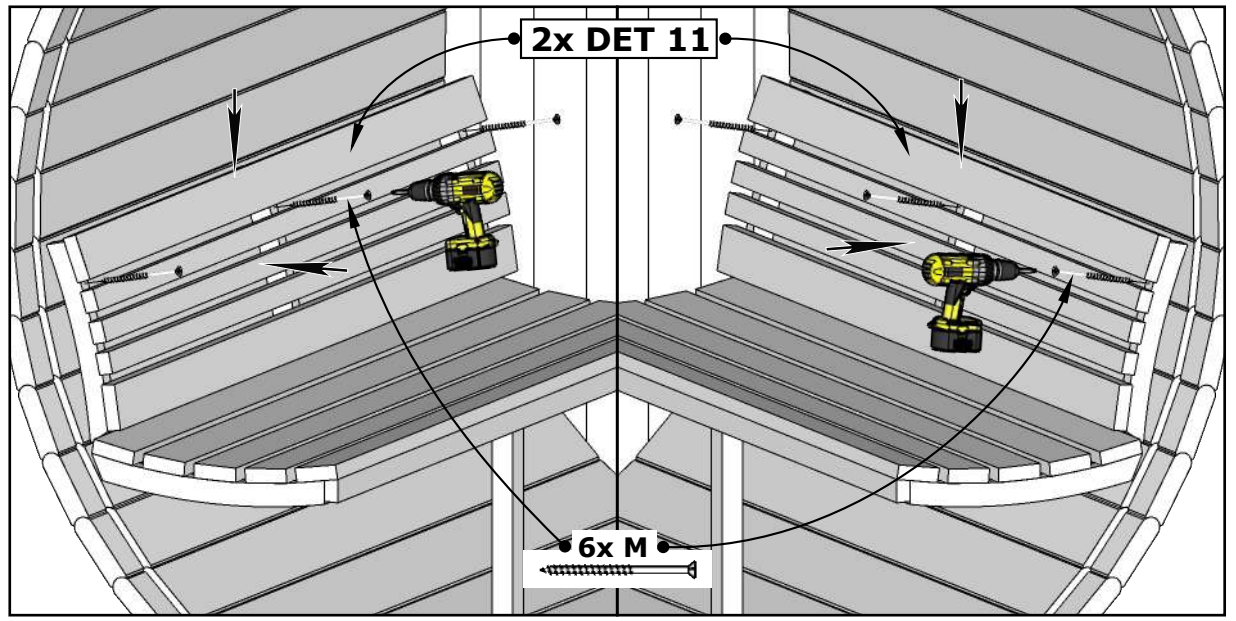
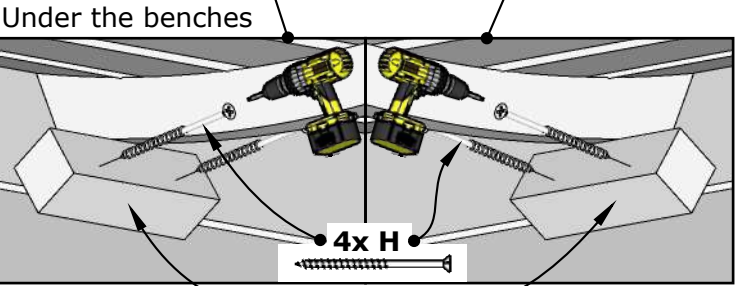
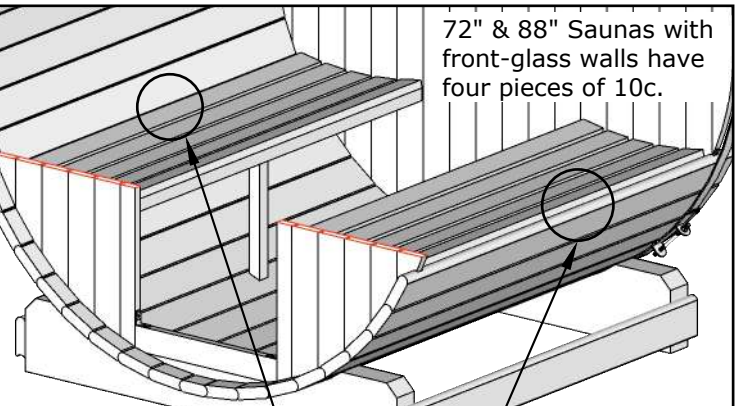
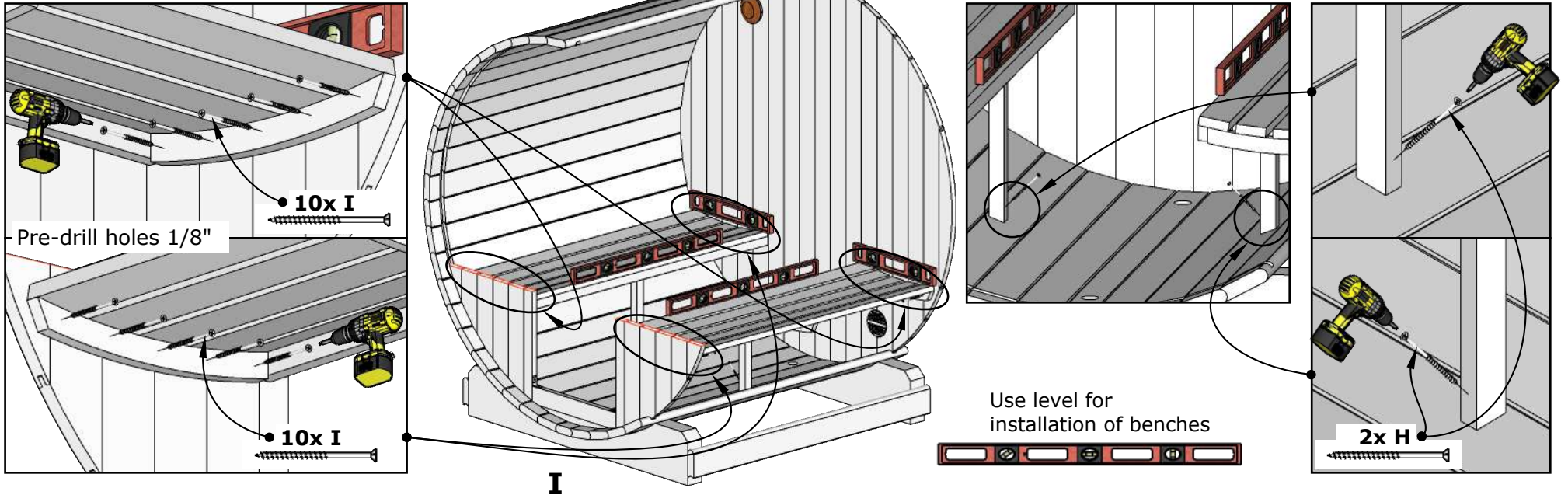
II

NB! If Your sauna equipped with front-glass wall, see front-glass wall installation manual for proper benches installation.



III

SUBLIME Barrel Sauna 87D" x 81H"

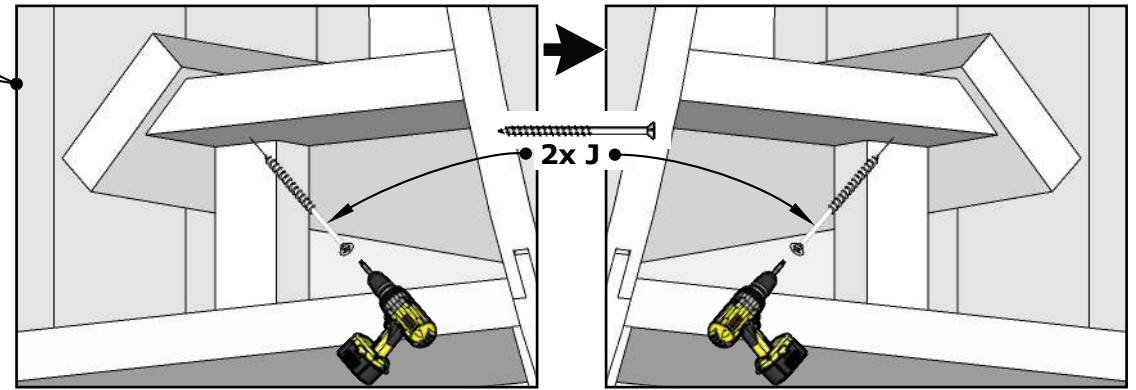
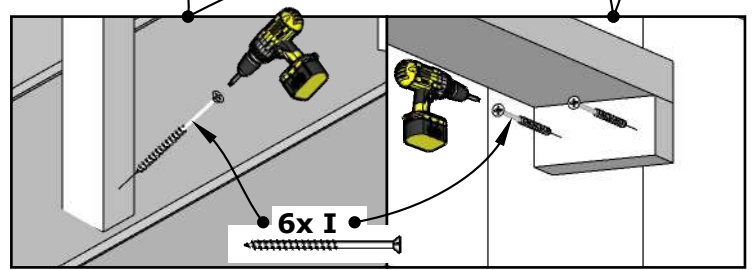
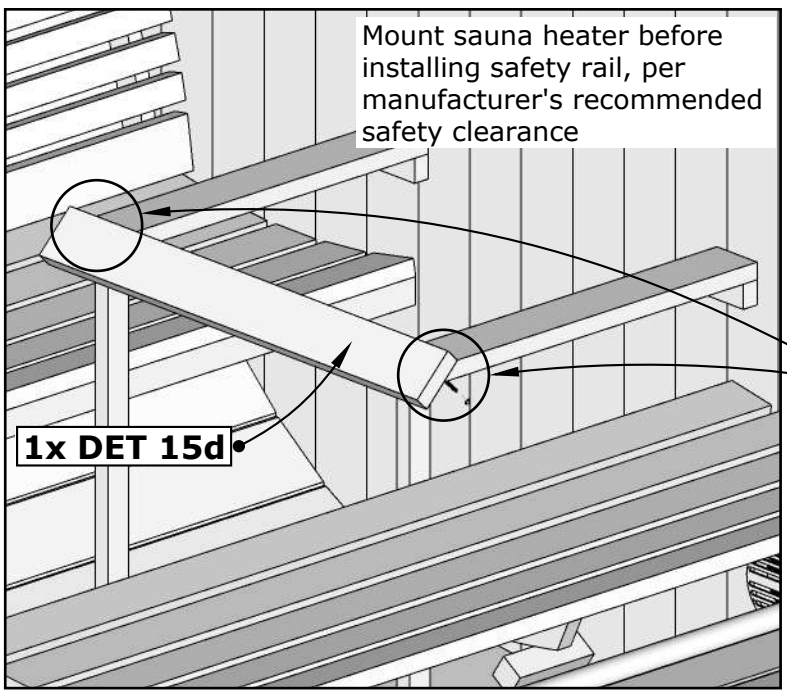
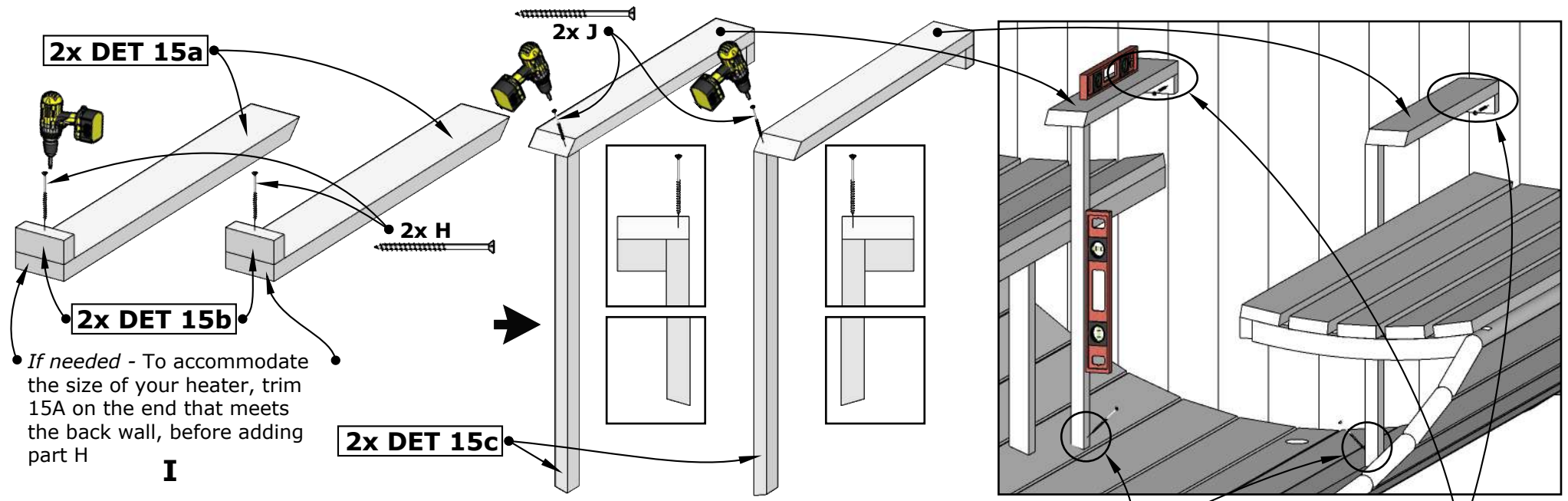


9.

II

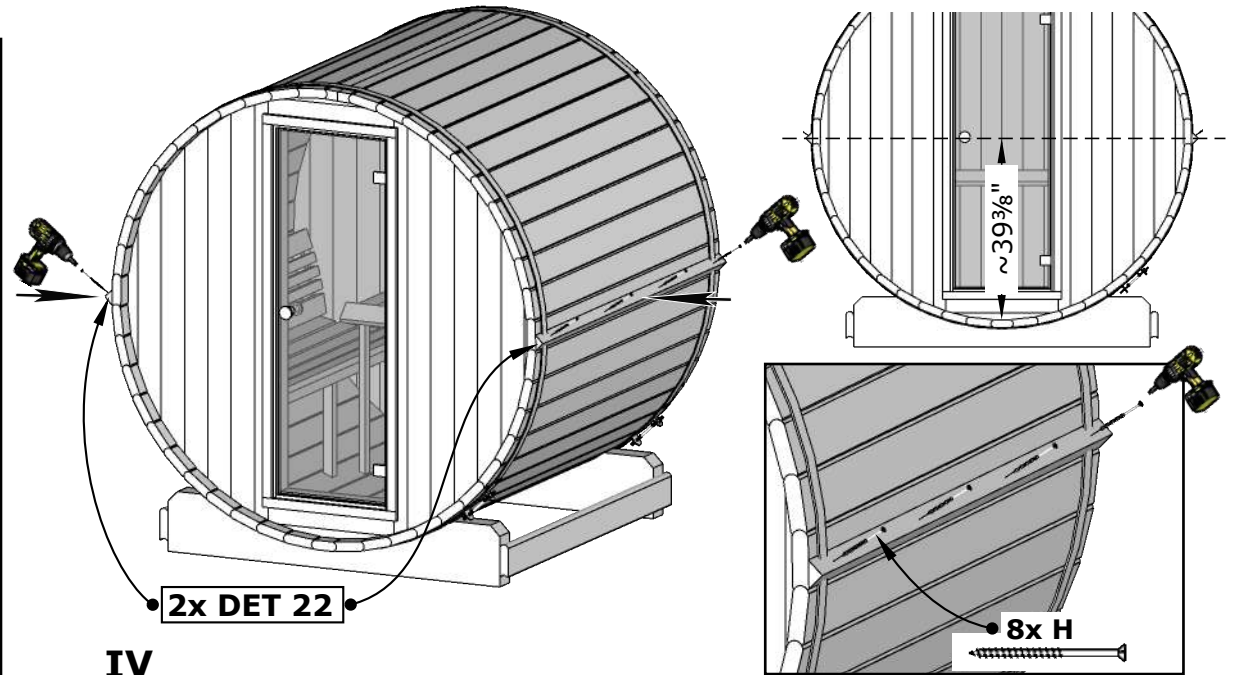
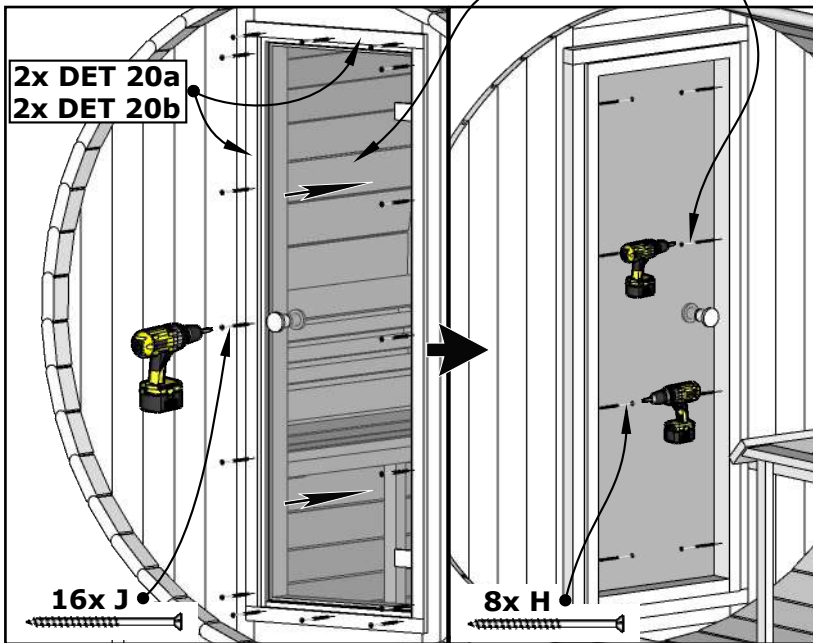
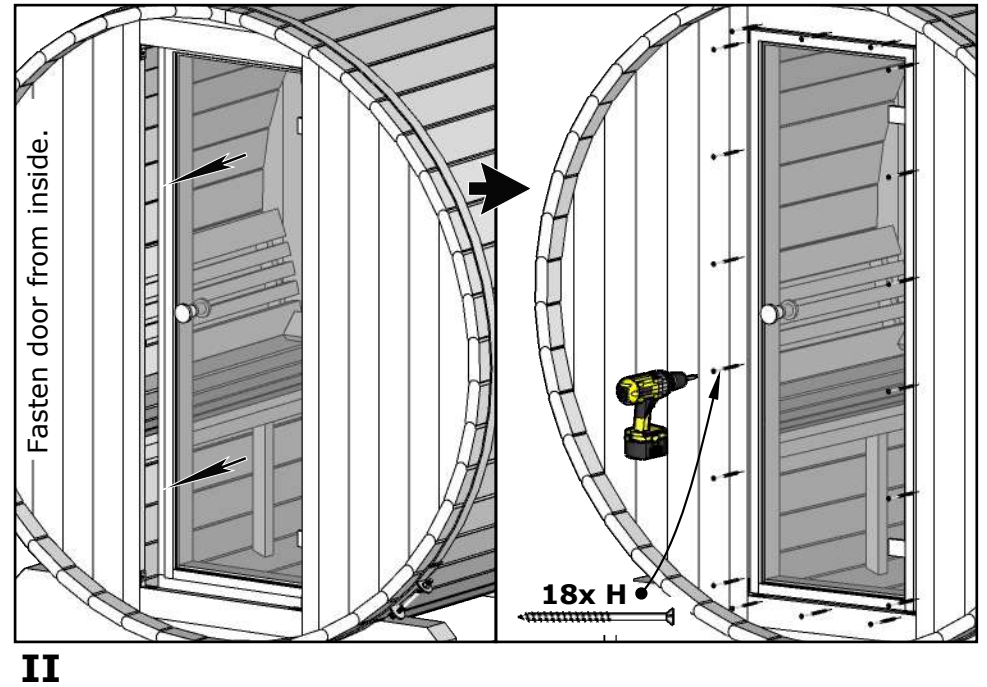
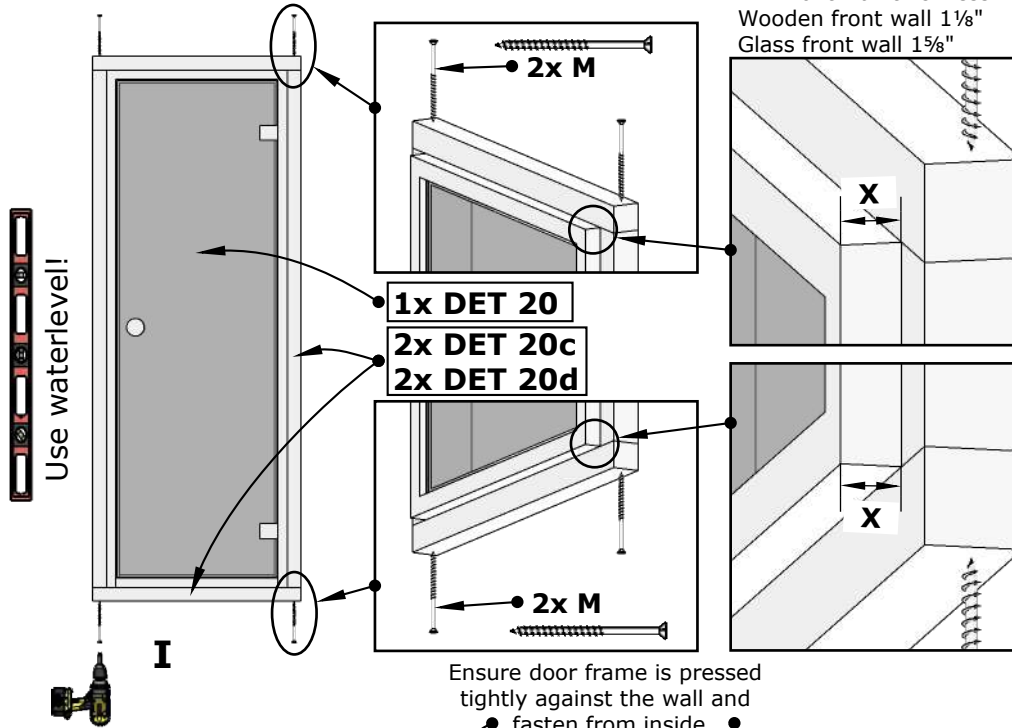
III

SUBLIME Barrel Sauna 87D" x 81H"



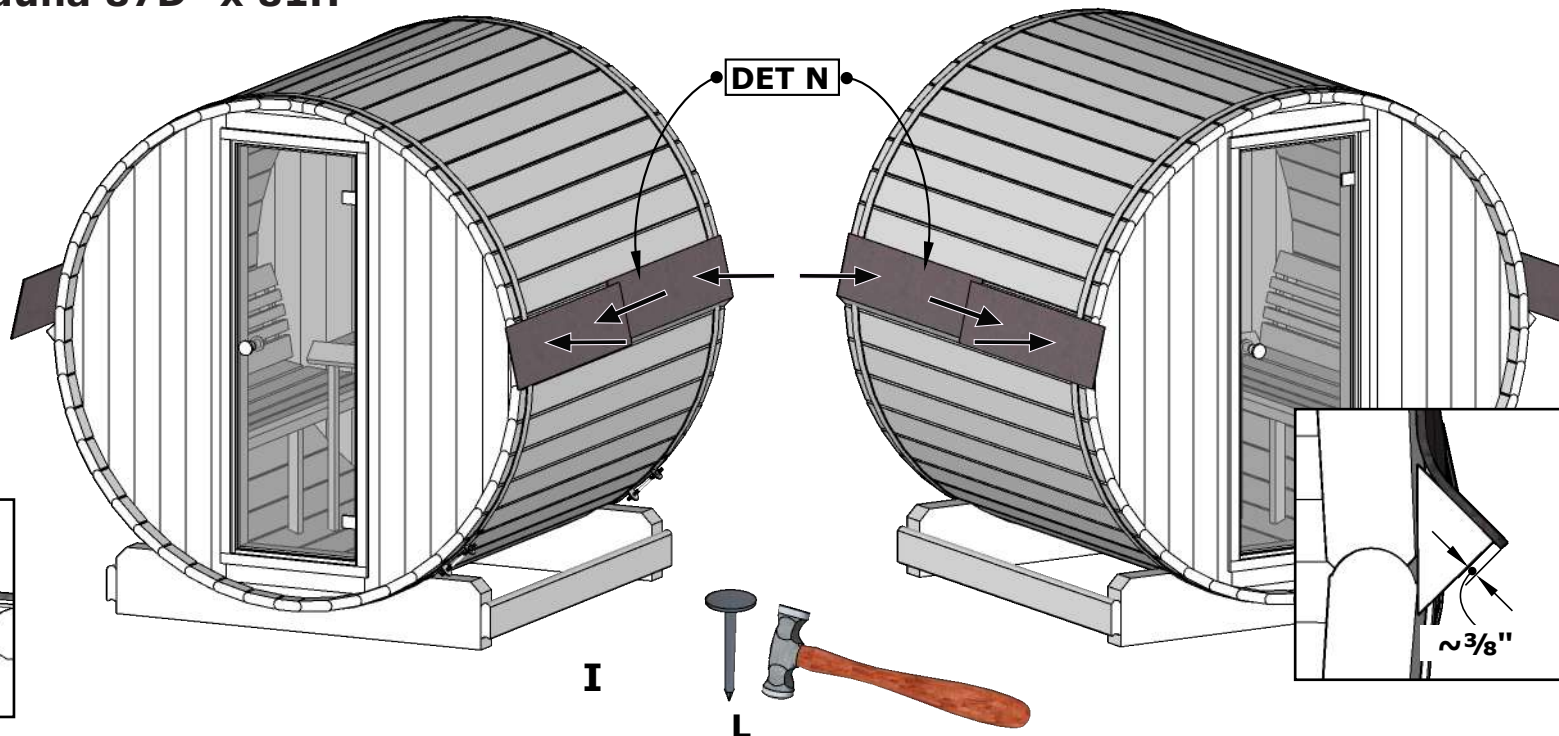
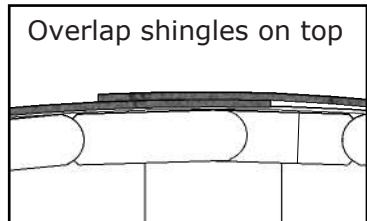
SUBLIME Barrel Sauna 87D" x 81H"

X= Front wall thickness
 Wooden front wall 1 1/8"
 Glass front wall 1 5/8"

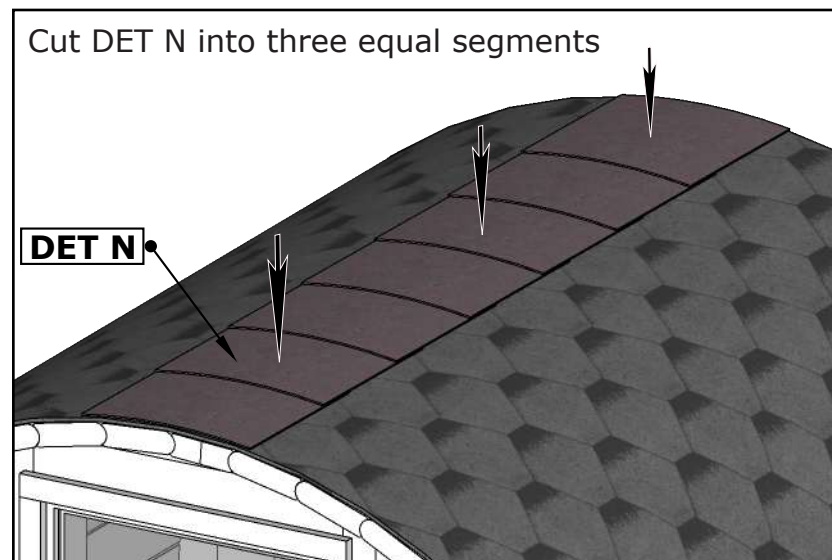
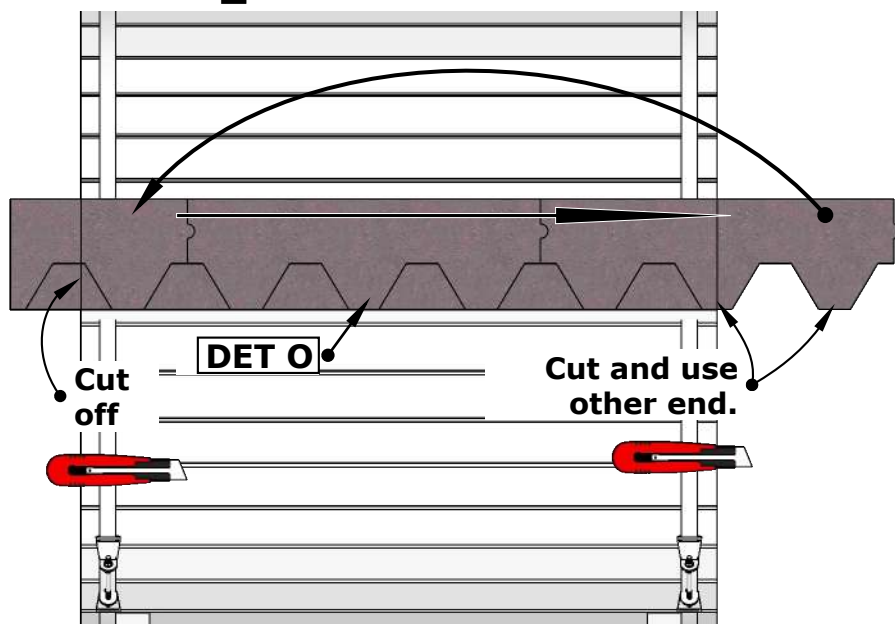


SUBLIME Barrel Sauna 87D" x 81H"

See the installation manual inside the shingles package



Check also roof shingles installation manual inside package.



SUBLIME Barrel Sauna 87D" x 81H"

