

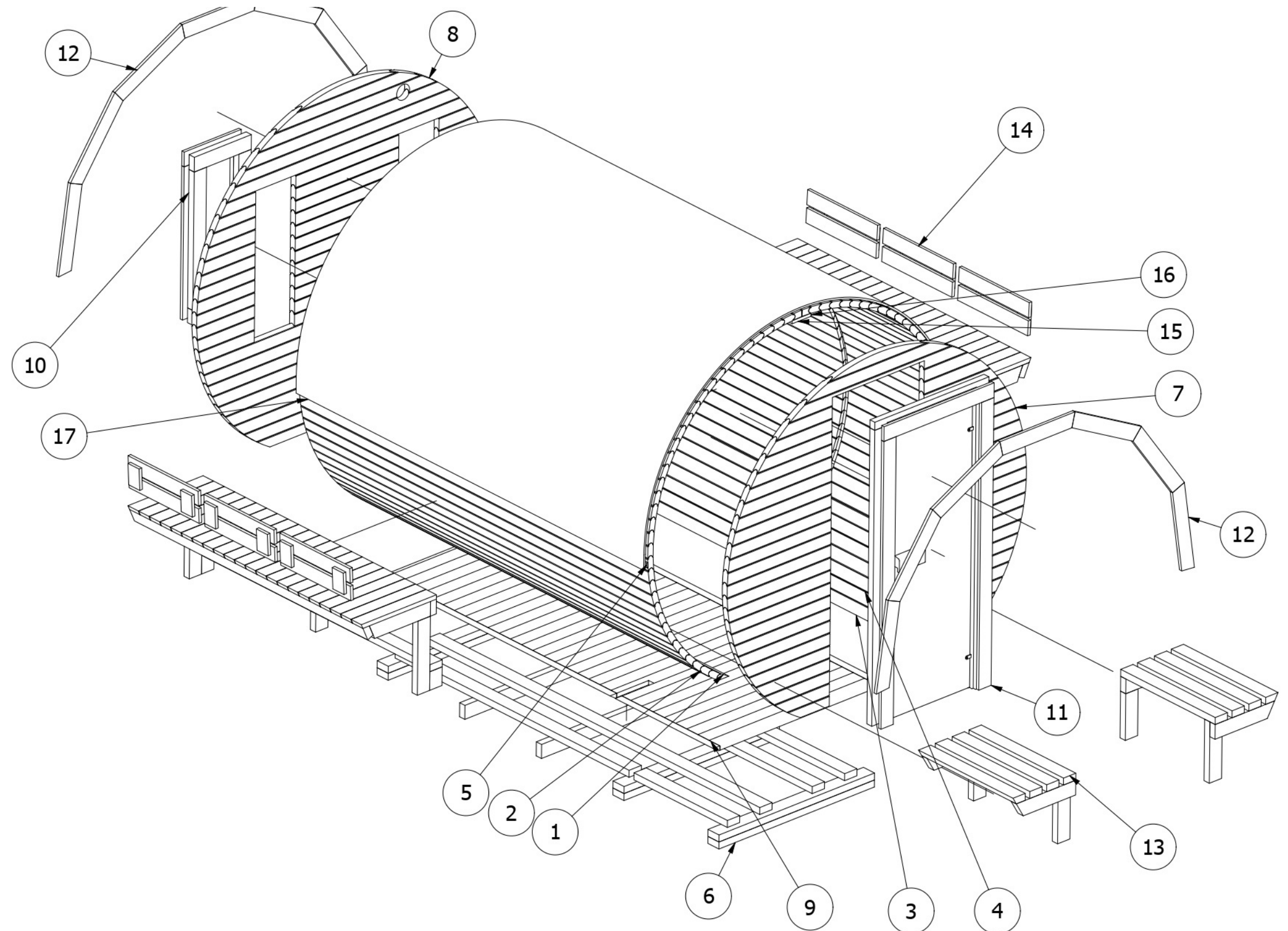
SALUS  SAUNAS



PRIME , PRESTIGE & STELLAR SAUNA MANUAL

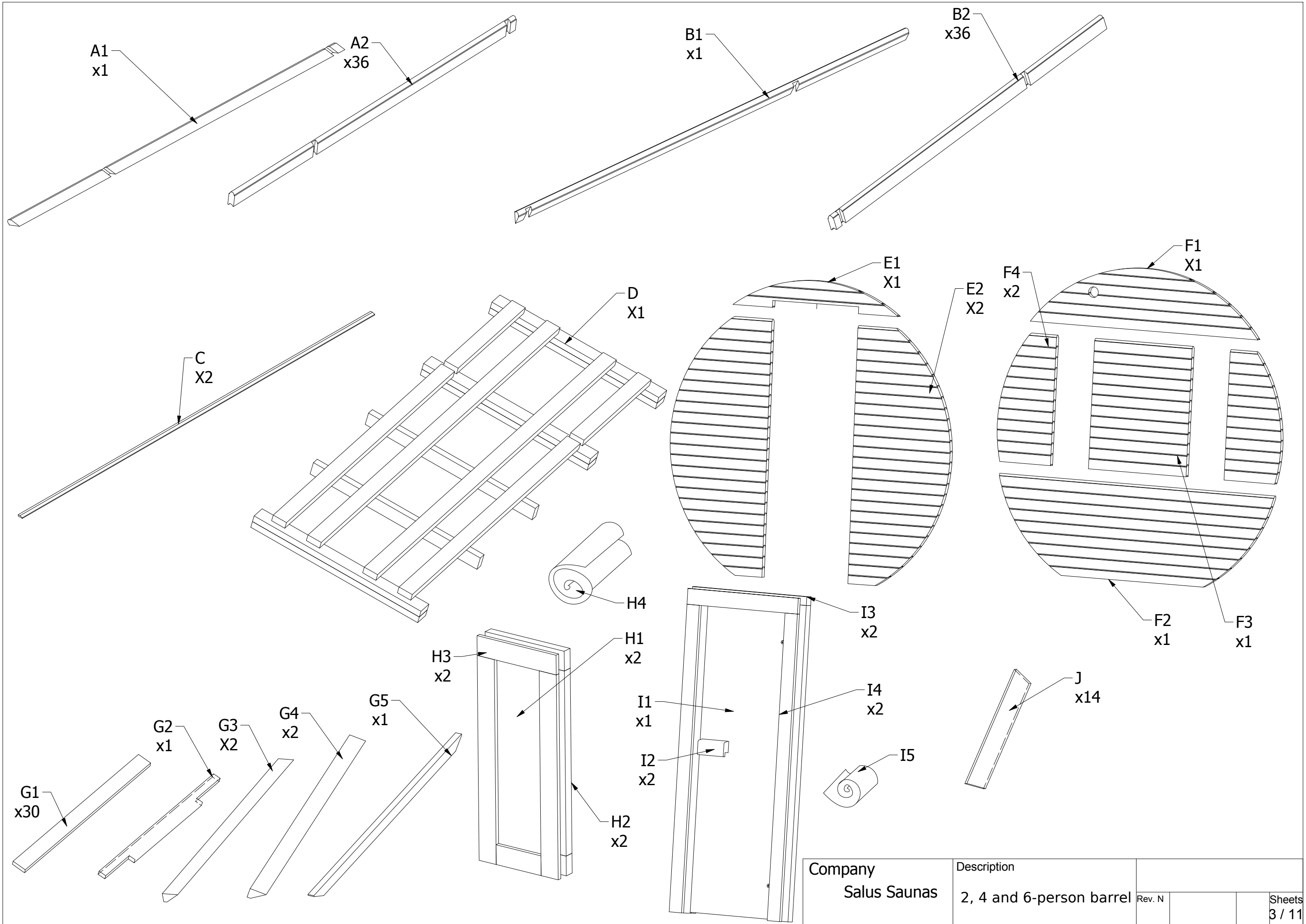
OWNER'S MANUAL

WARNING! Do not place anything combustible close to heater, above the heater, and on both sides of the heater. This includes but not limited to towels, lights, robe hooks, accessories, etc. Nothing should be on the same wall as your heater that is combustible.

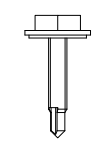
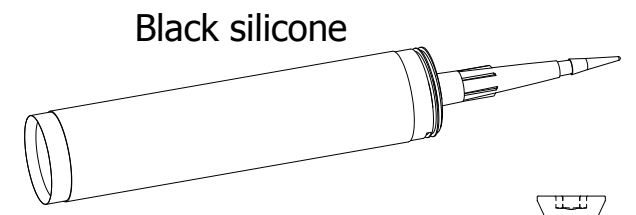
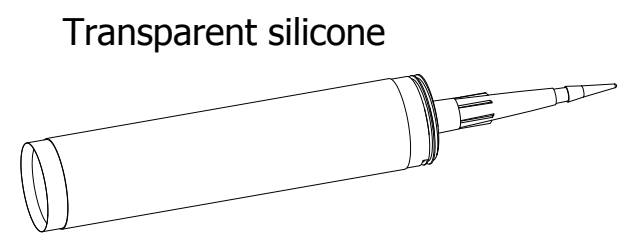
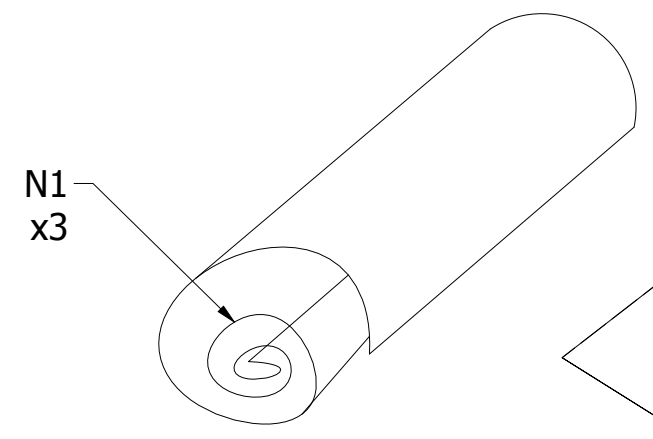
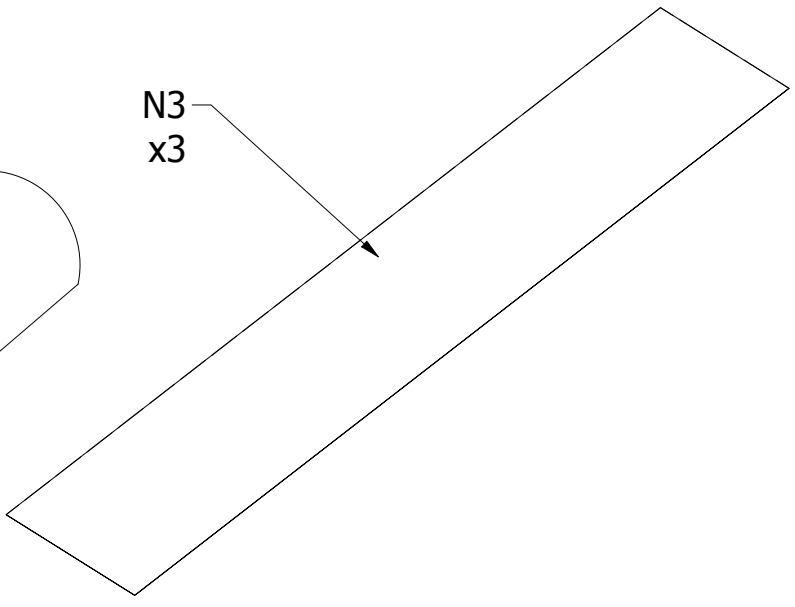
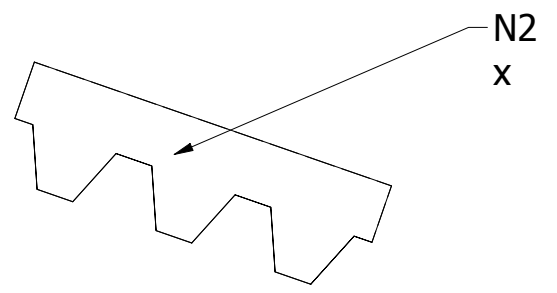
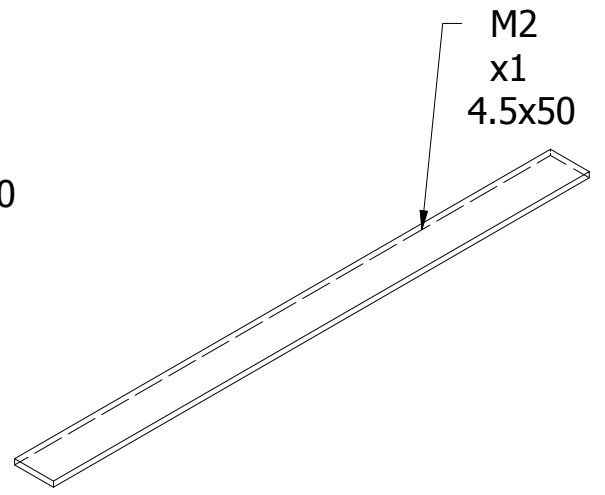
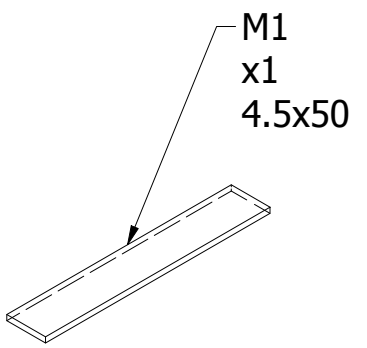
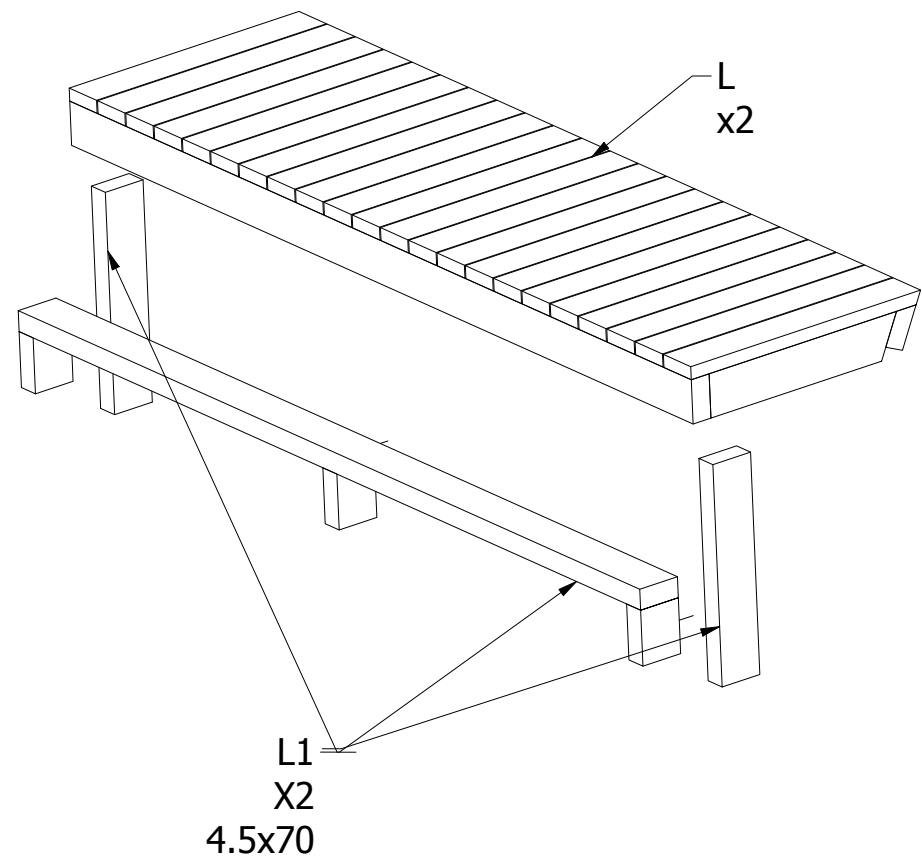
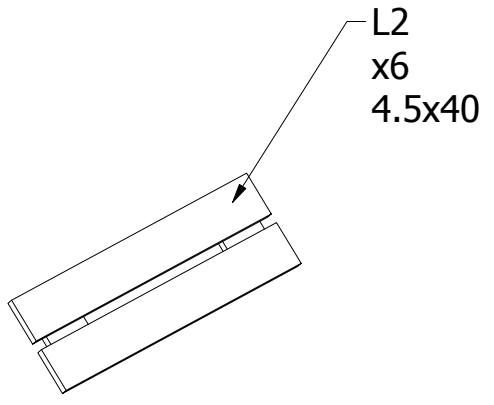
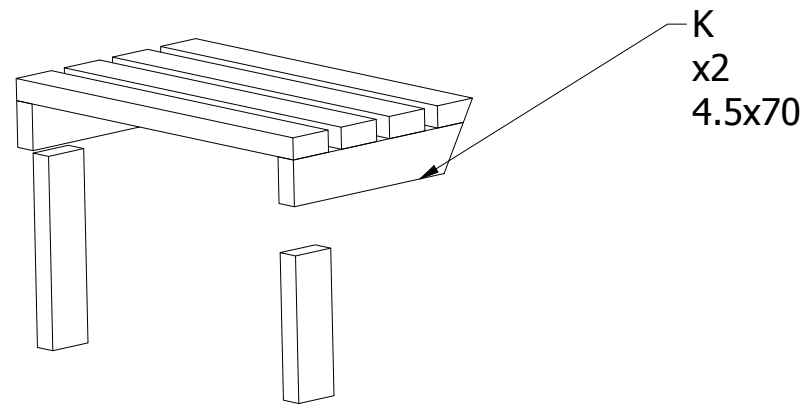


Item	Position	Name	QTY
1	A1	Wall board starting (left side)	1
2	A2	Wall board (left side)	38
3	B1	Wall board starting (right side)	1
4	B2	Wall board (right side)	38
5	C	Roof edgeboard	2
6	D	Floor frame	1
7	E	Front wall	1
8	F	Back wall	1
9	G	Floor board	1
10	H	Window	2
11	I	Glass door	1
12	J	Roof finishing boards	14
13	K	Outdoor bench	2
14	L	Sauna bench	2
15	M1	Ceiling gap covering board	1
16	M2	Ceiling gap covering board	1
17	N	Bitumen roof tiles	1
18	O	Spare wood 45x95x2000	1
19	P	Spare wood 18x95x2000	1

Company Salus Saunas	Description 2, 4 and 6-person barrel	Rev. Nr.	Sheets
		0	2 / 11



Company Salus Saunas	Description 2, 4 and 6-person barrel	Rev. N			Sheets 3 / 11



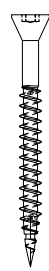
K4 4.8x35



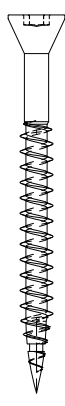
4.5x40/24



4.5x50



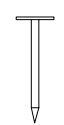
4.5x70/40



6x120



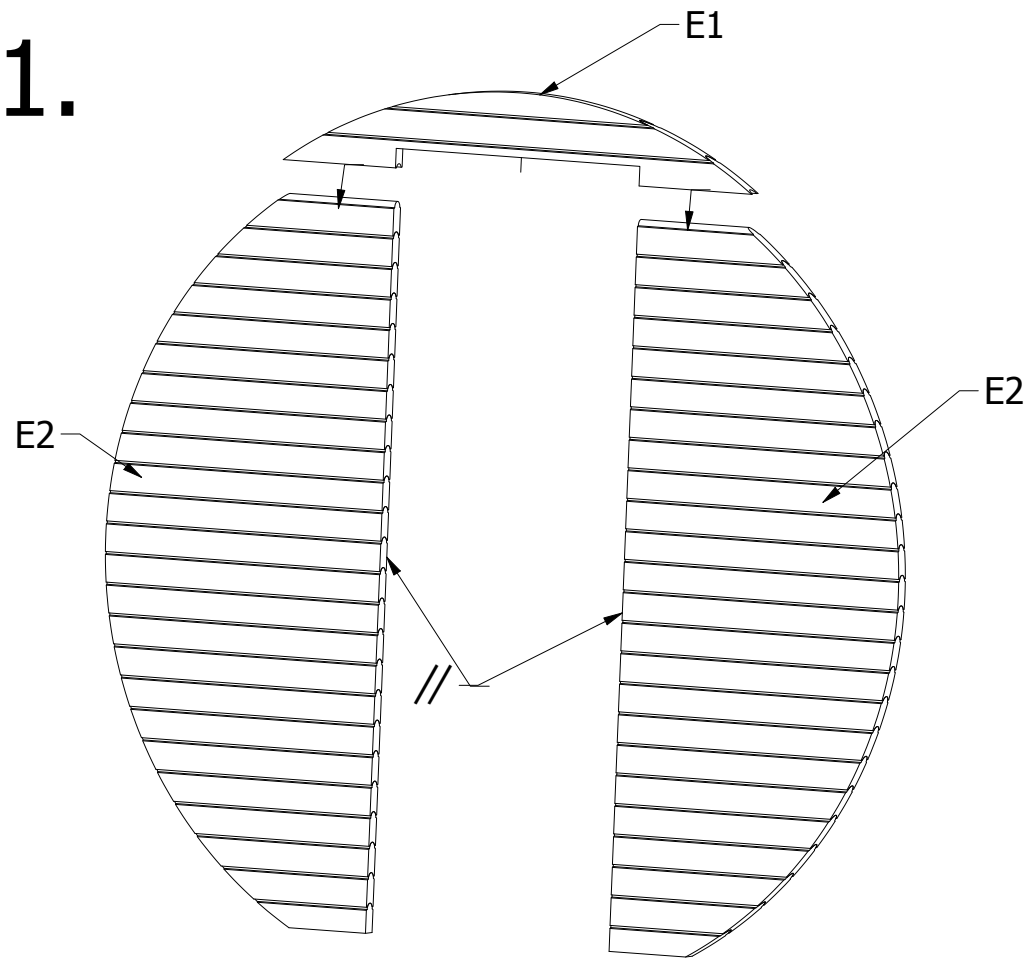
6x160



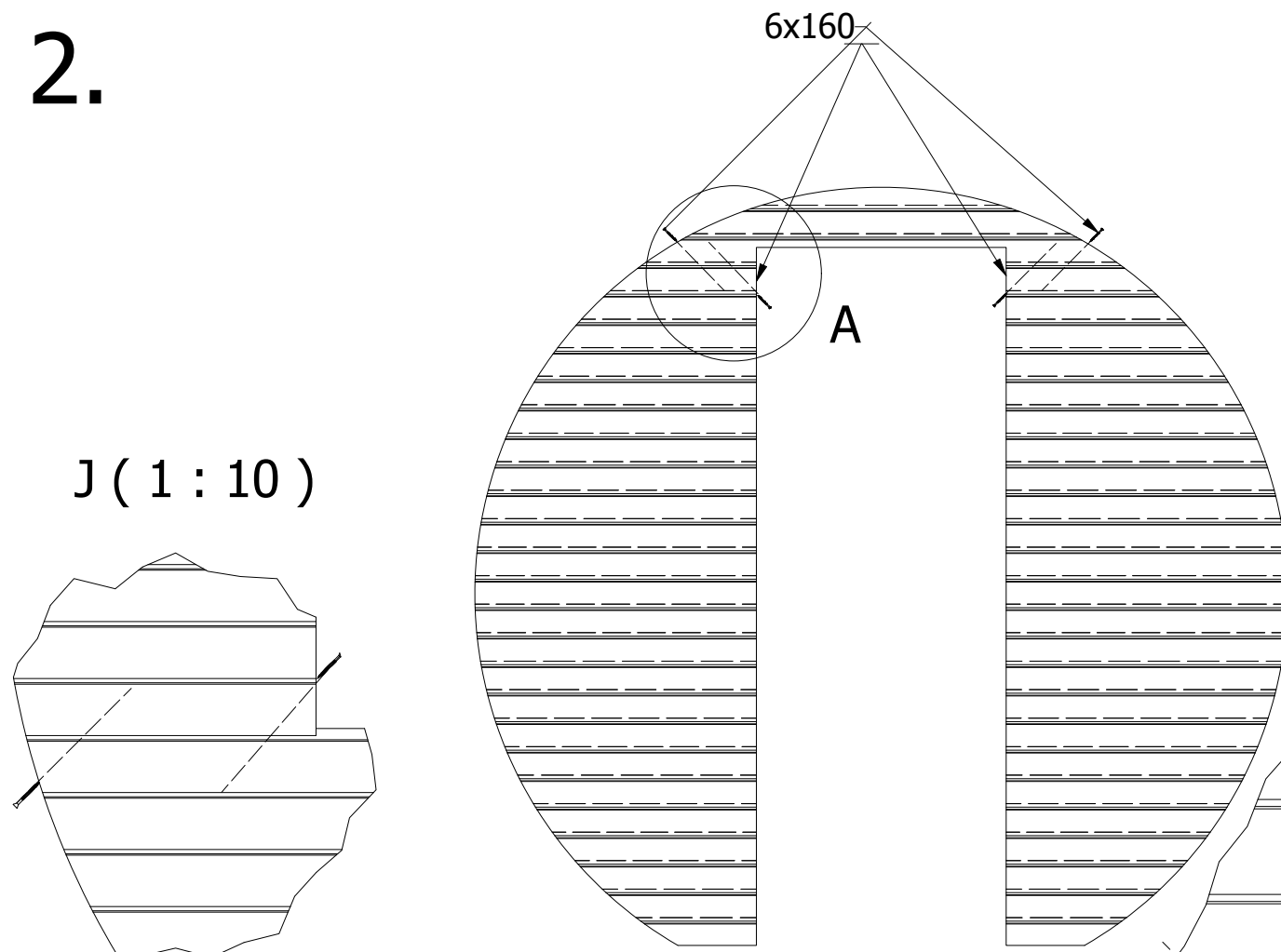
Roof Nails

Company Salus Saunas	Description 2, 4 and 6-person barrel	Rev. N		Sheets
		0		4 / 11

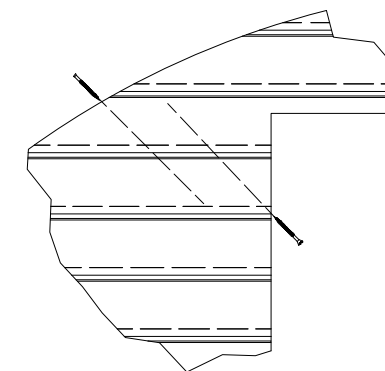
1.



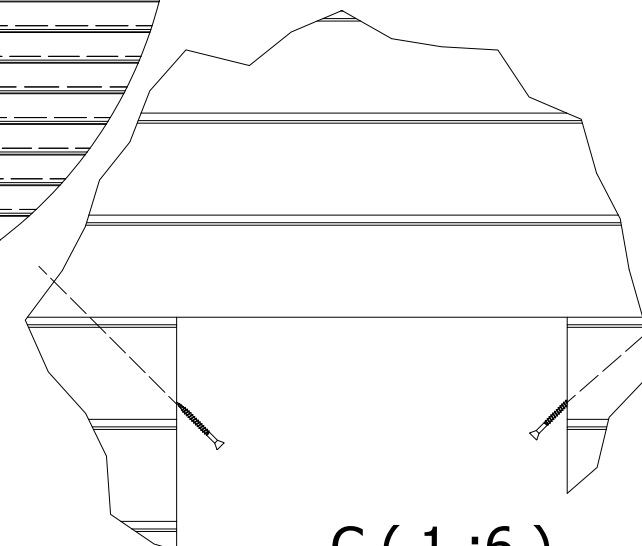
2.



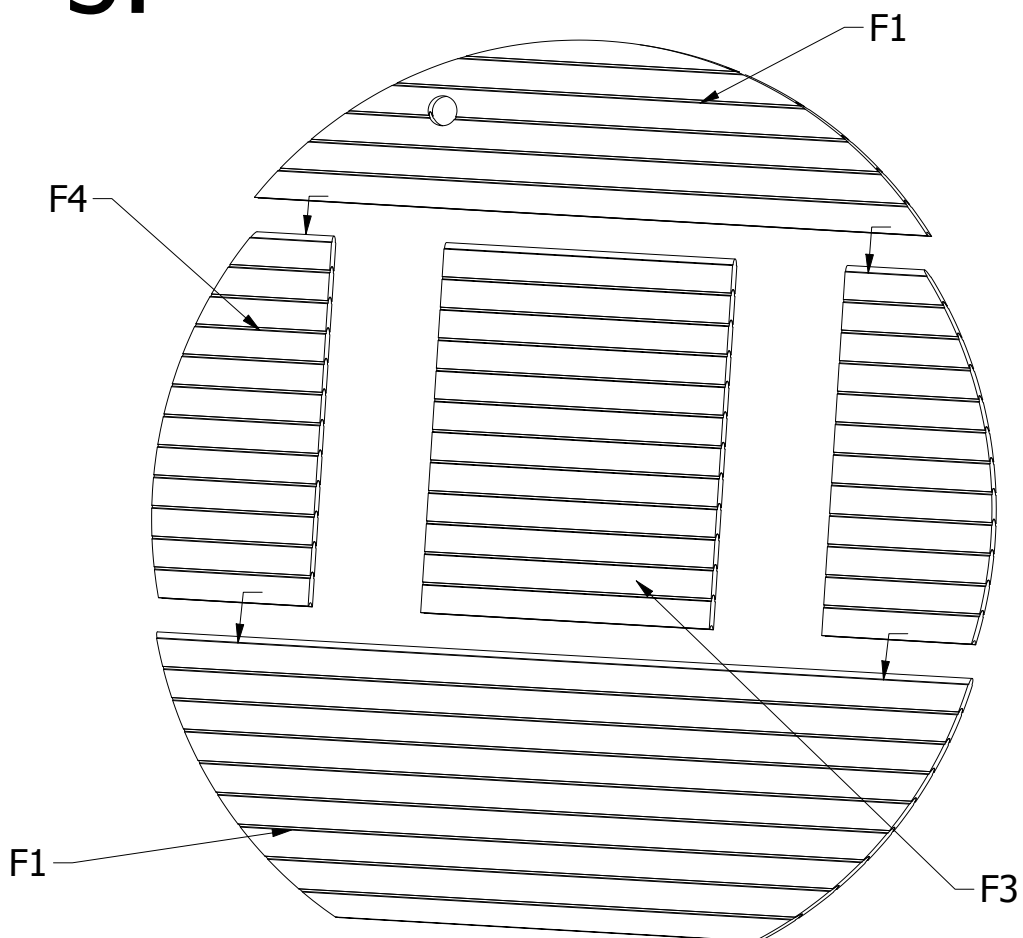
A (1 : 10)



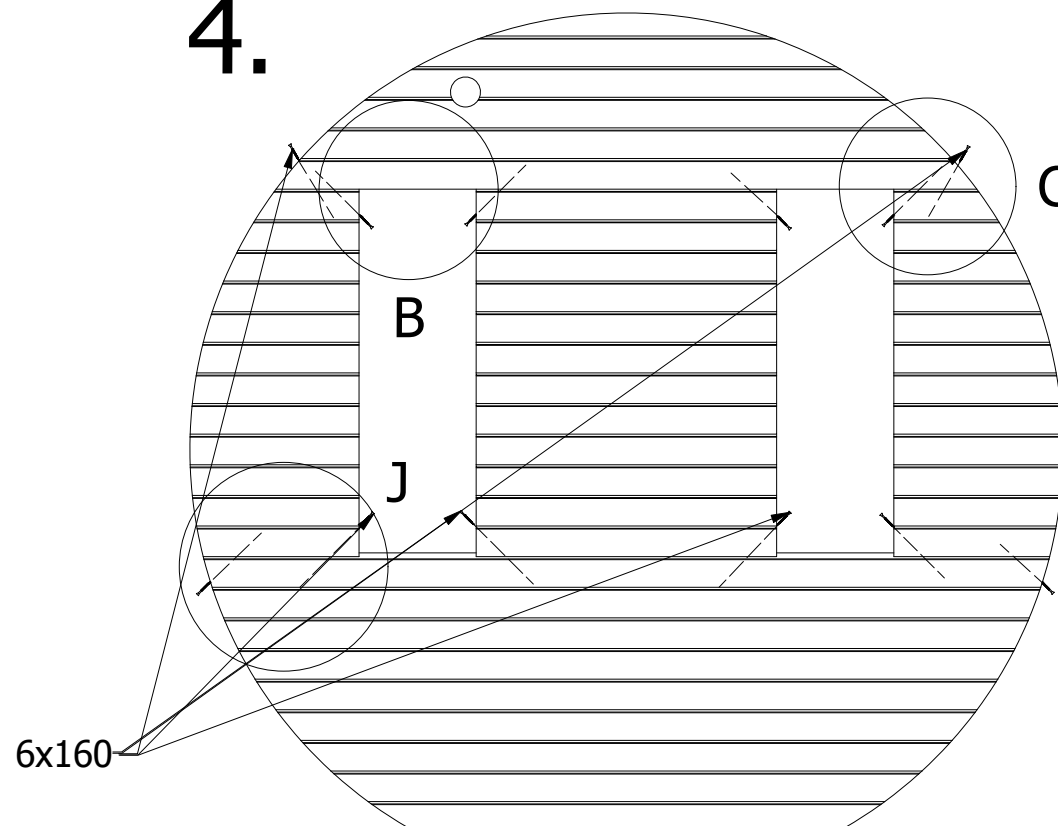
B (1 : 6)



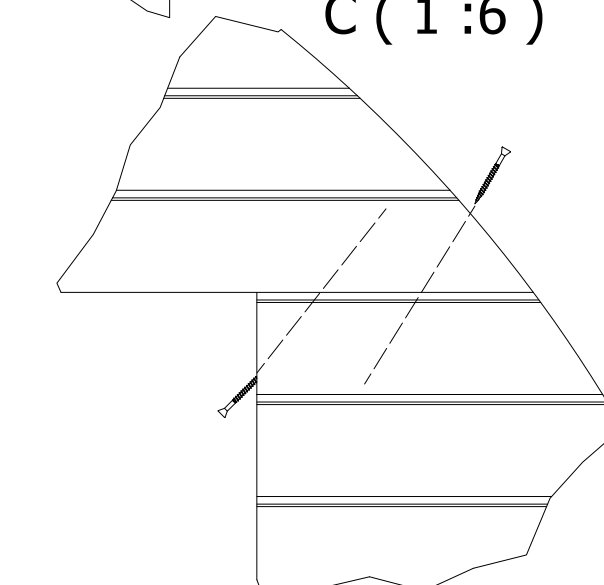
3.



4.

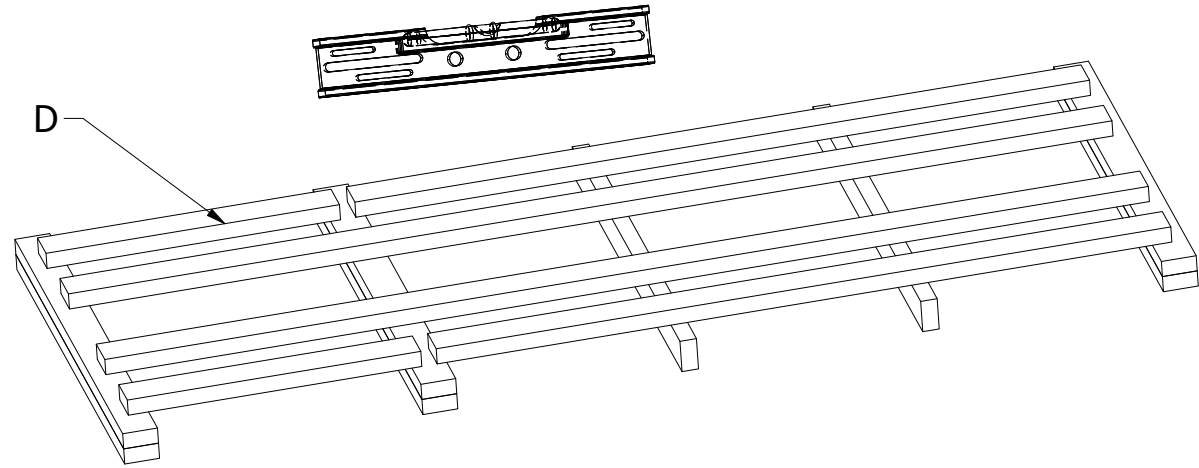


C (1 : 6)

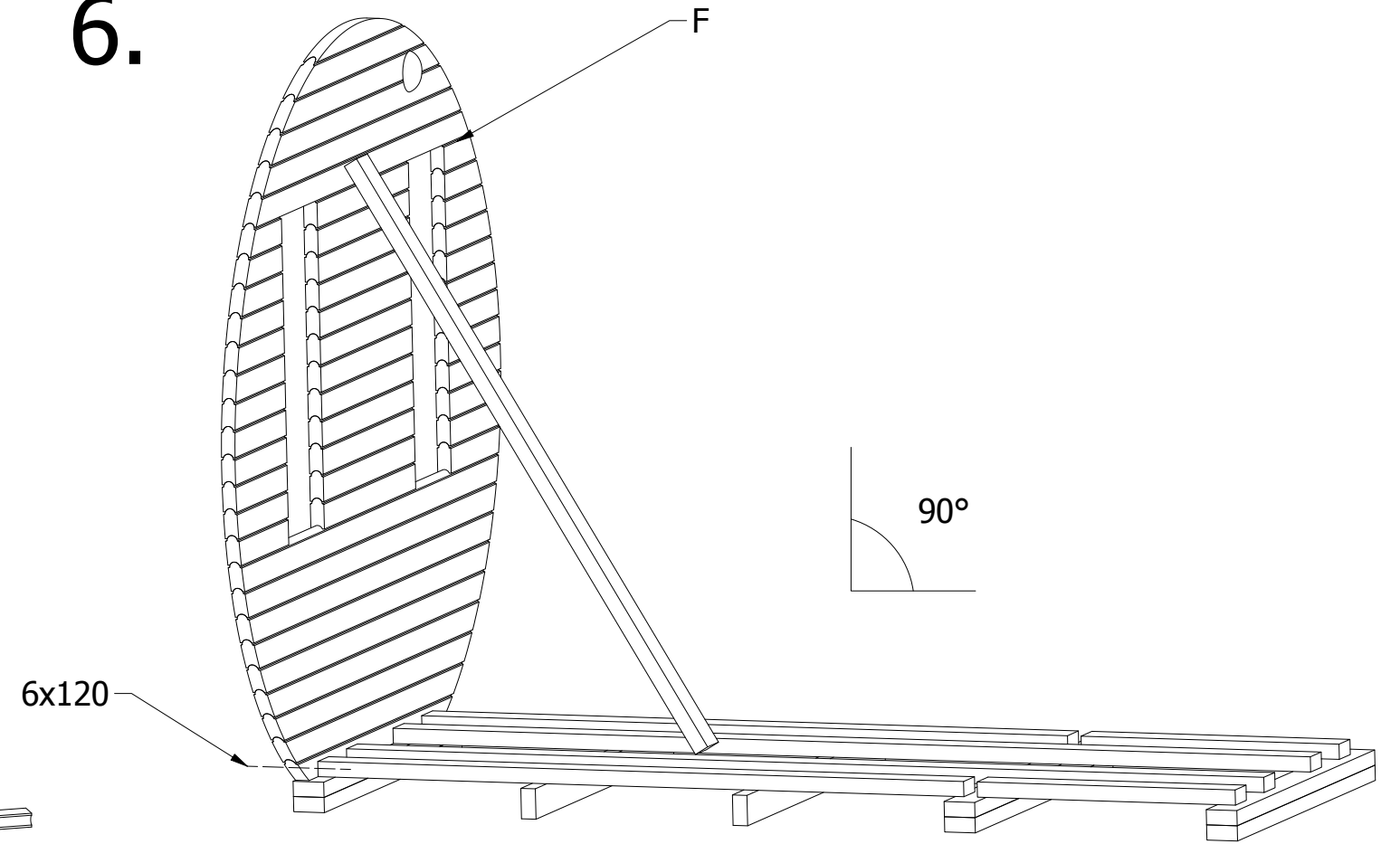


Company Salus Saunas	Description 2, 4 and 6-person barrel	Rev. N		Sheets
		0		5 / 11

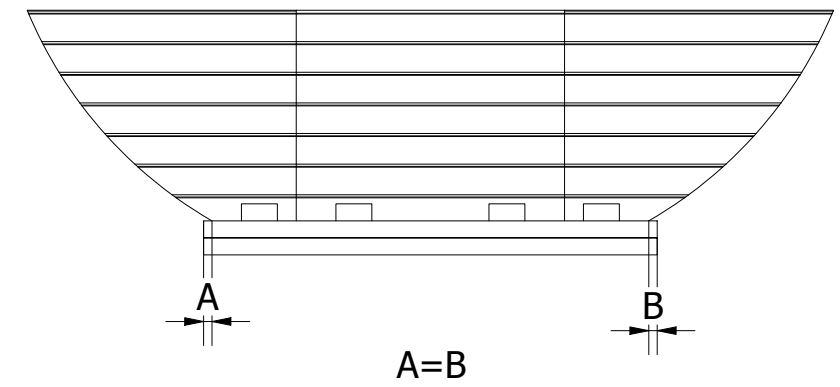
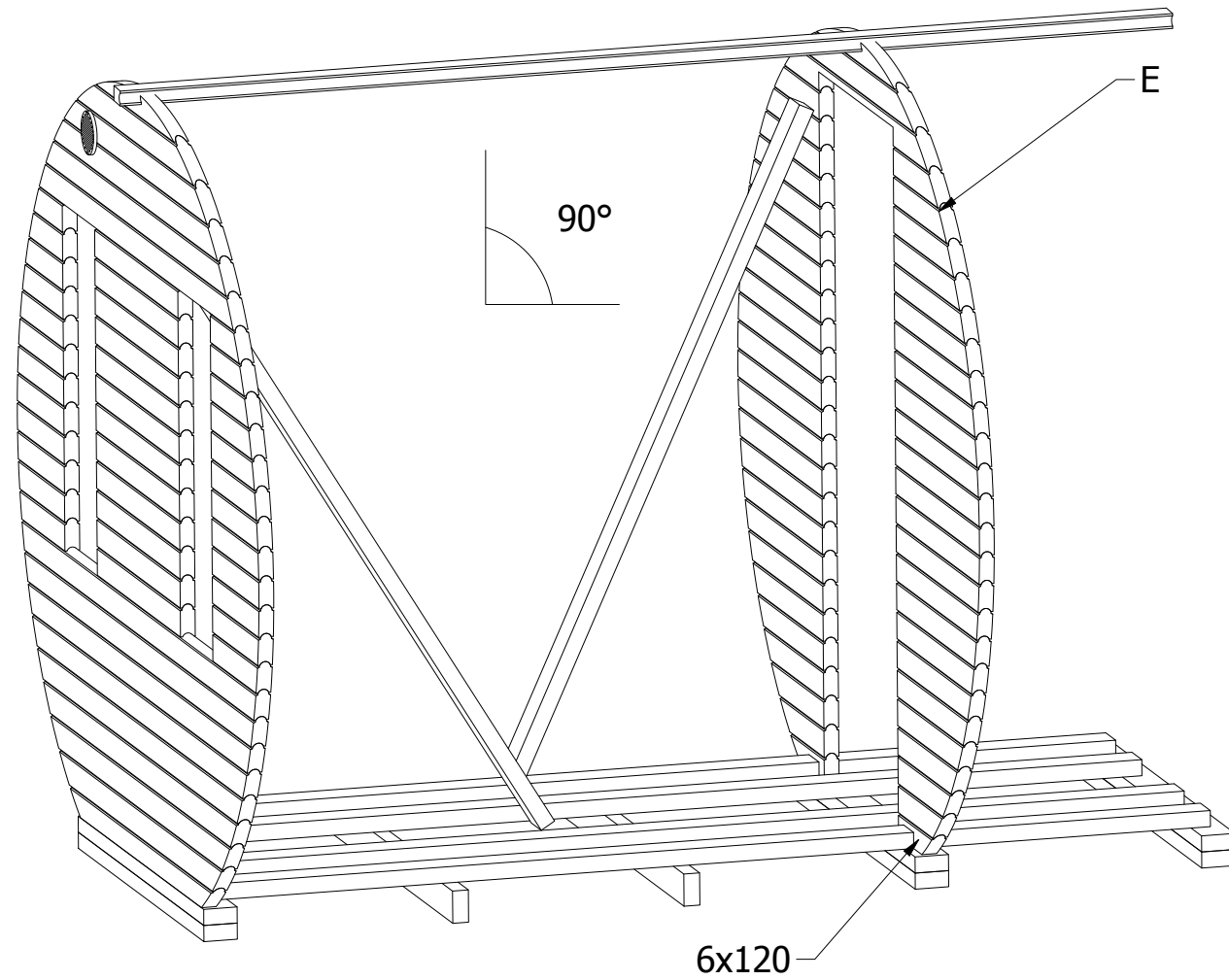
5.



6.

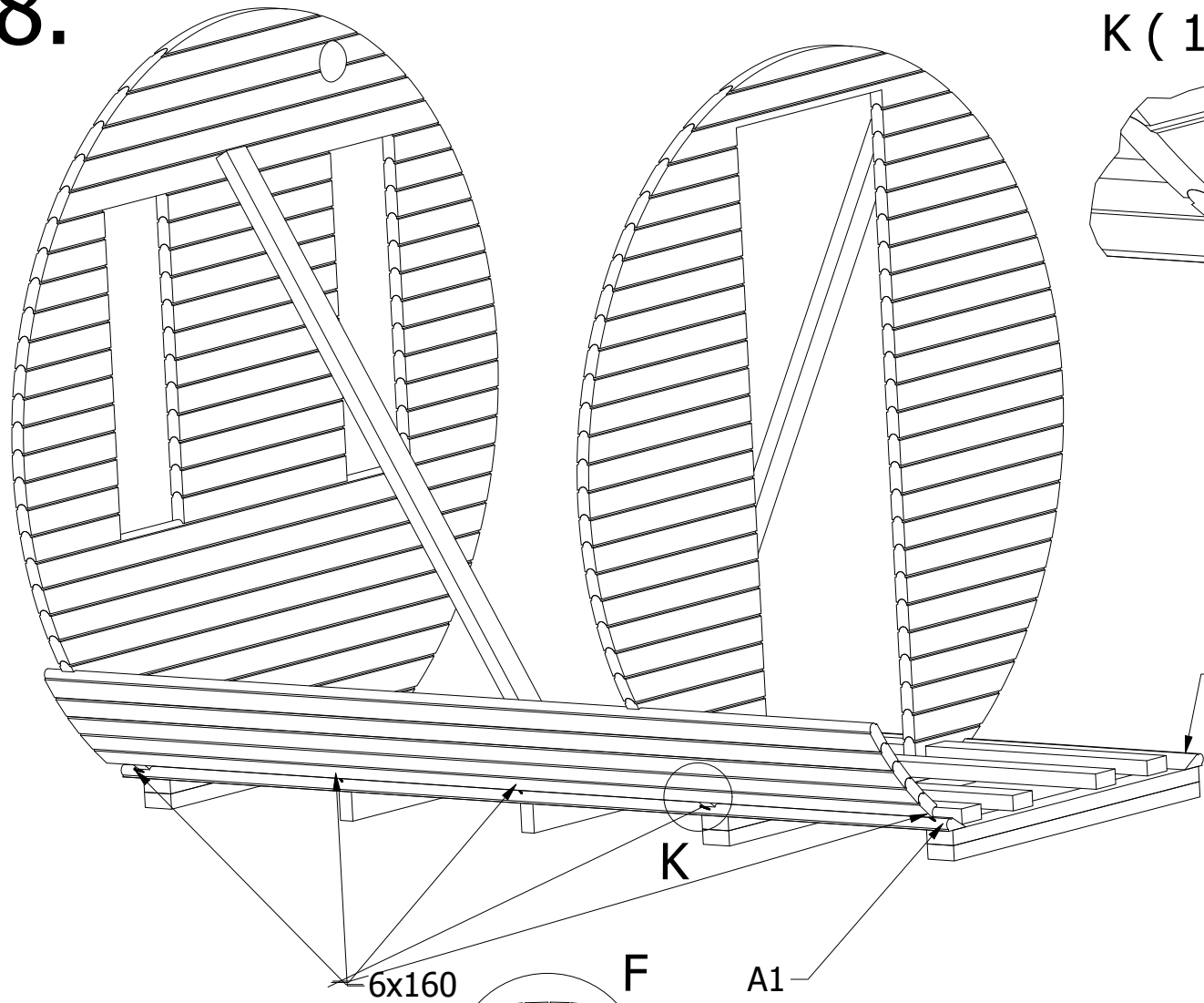


7.

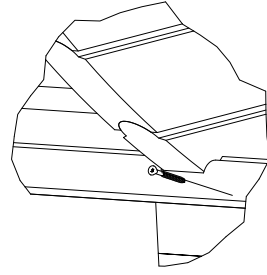


Company Salus Saunas	Description 2, 4 and 6-person barrel	Rev. Nr.		Sheets
		0		6 / 11

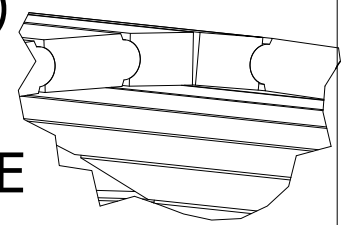
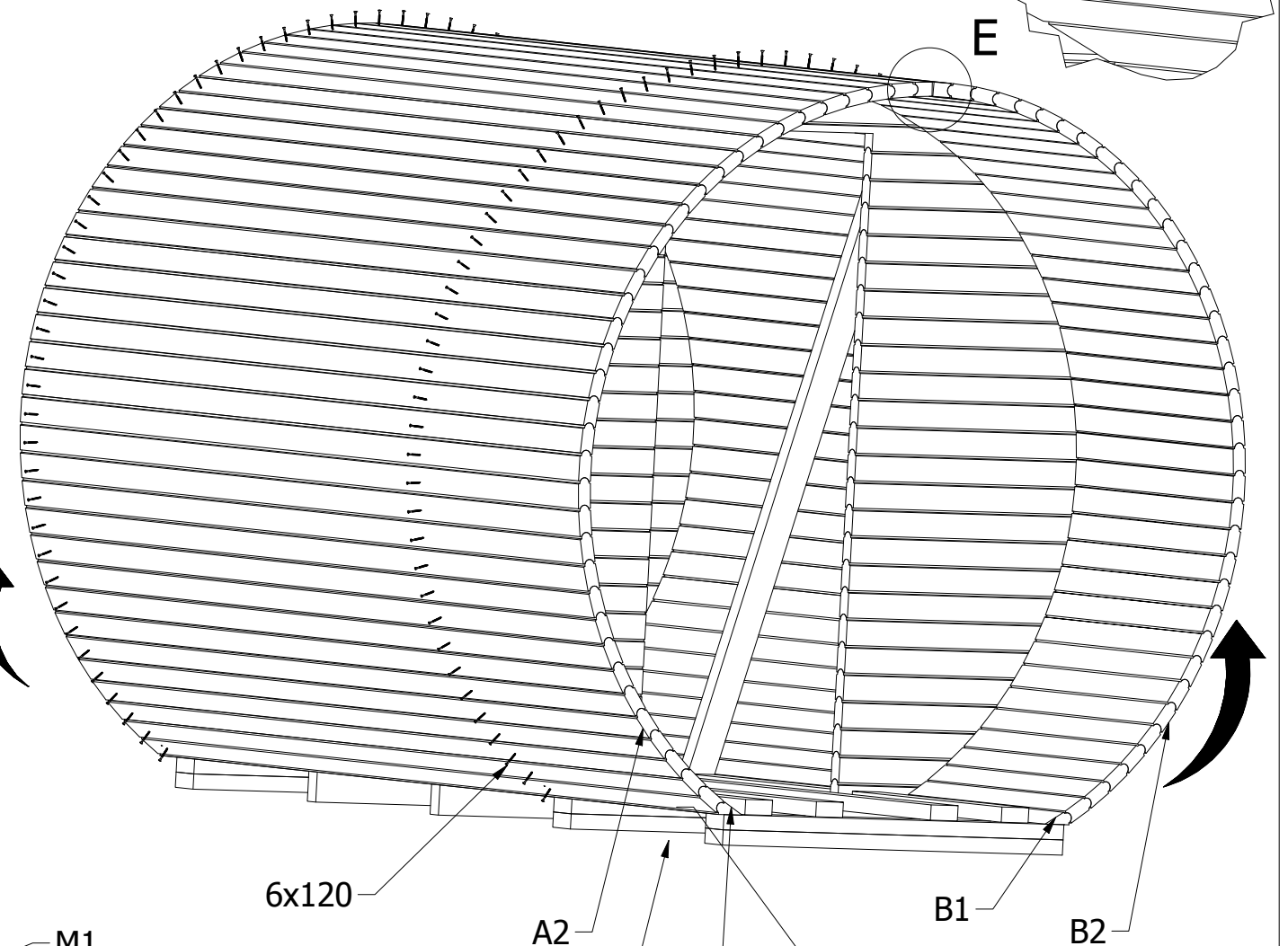
8.



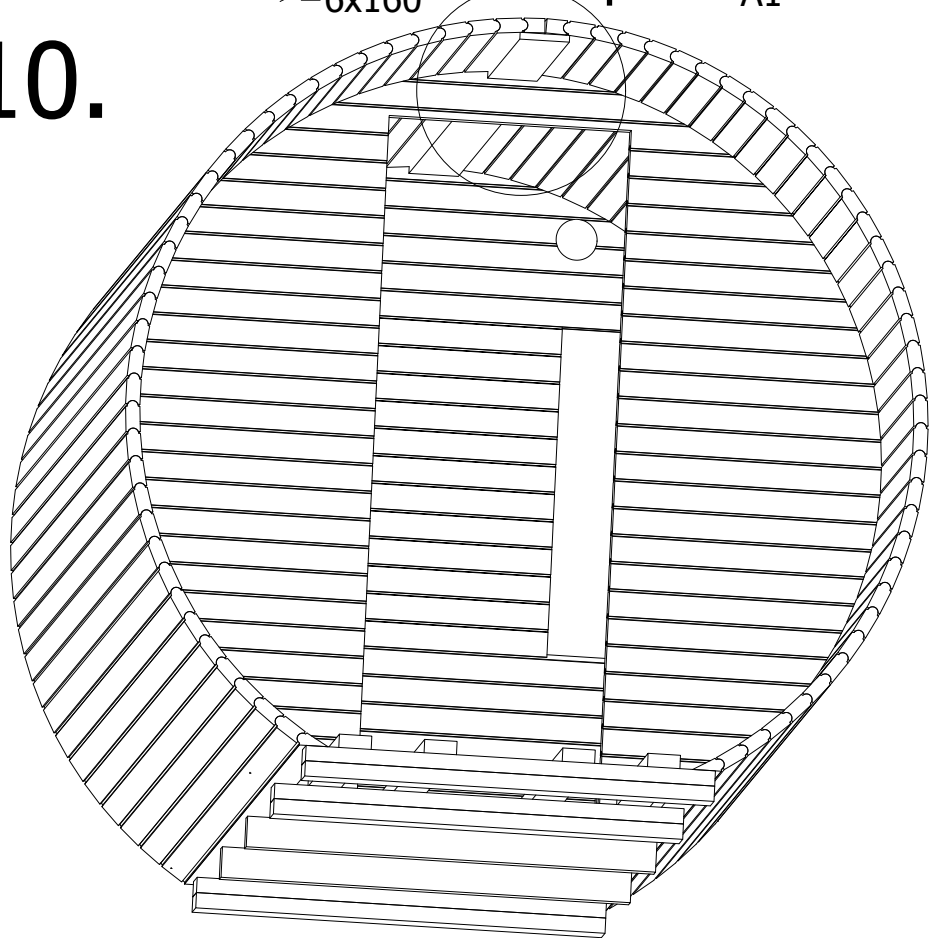
K (1:6) 9.



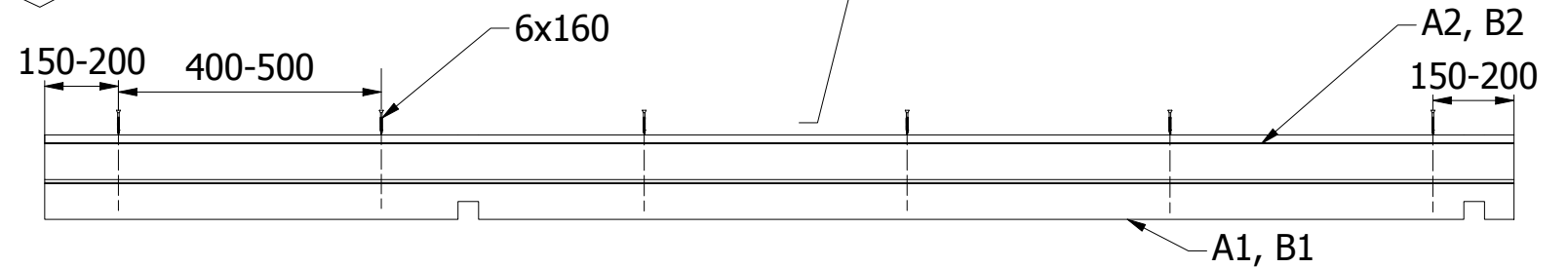
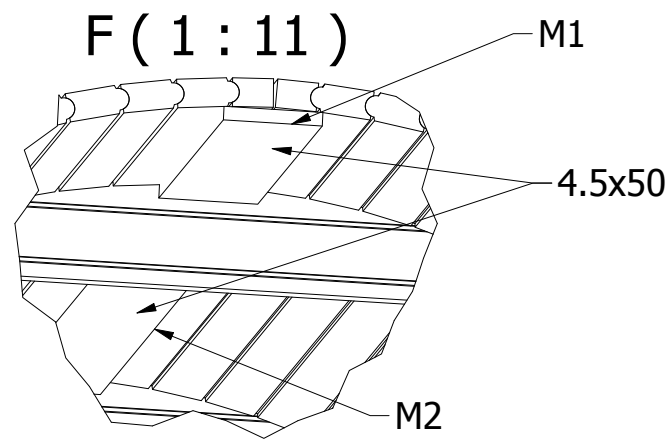
E (1:6)



10.

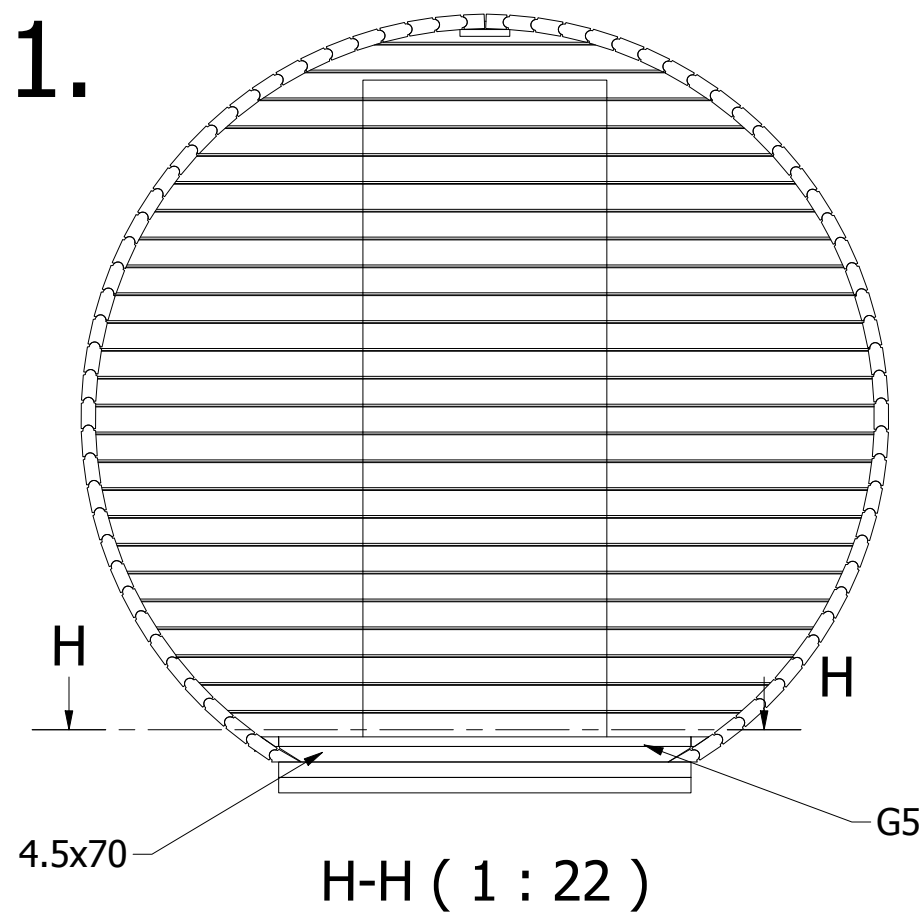


F (1:11)

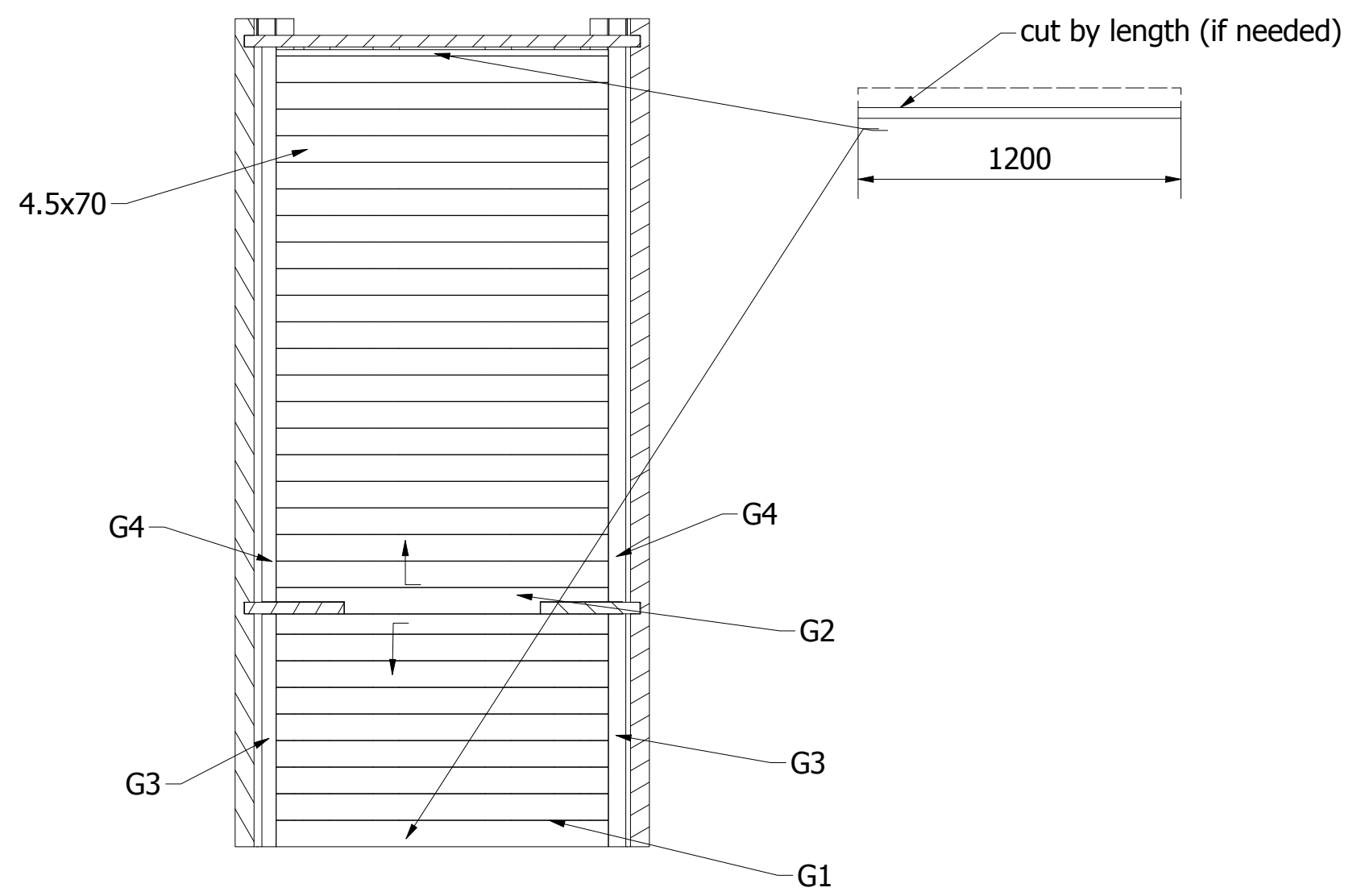
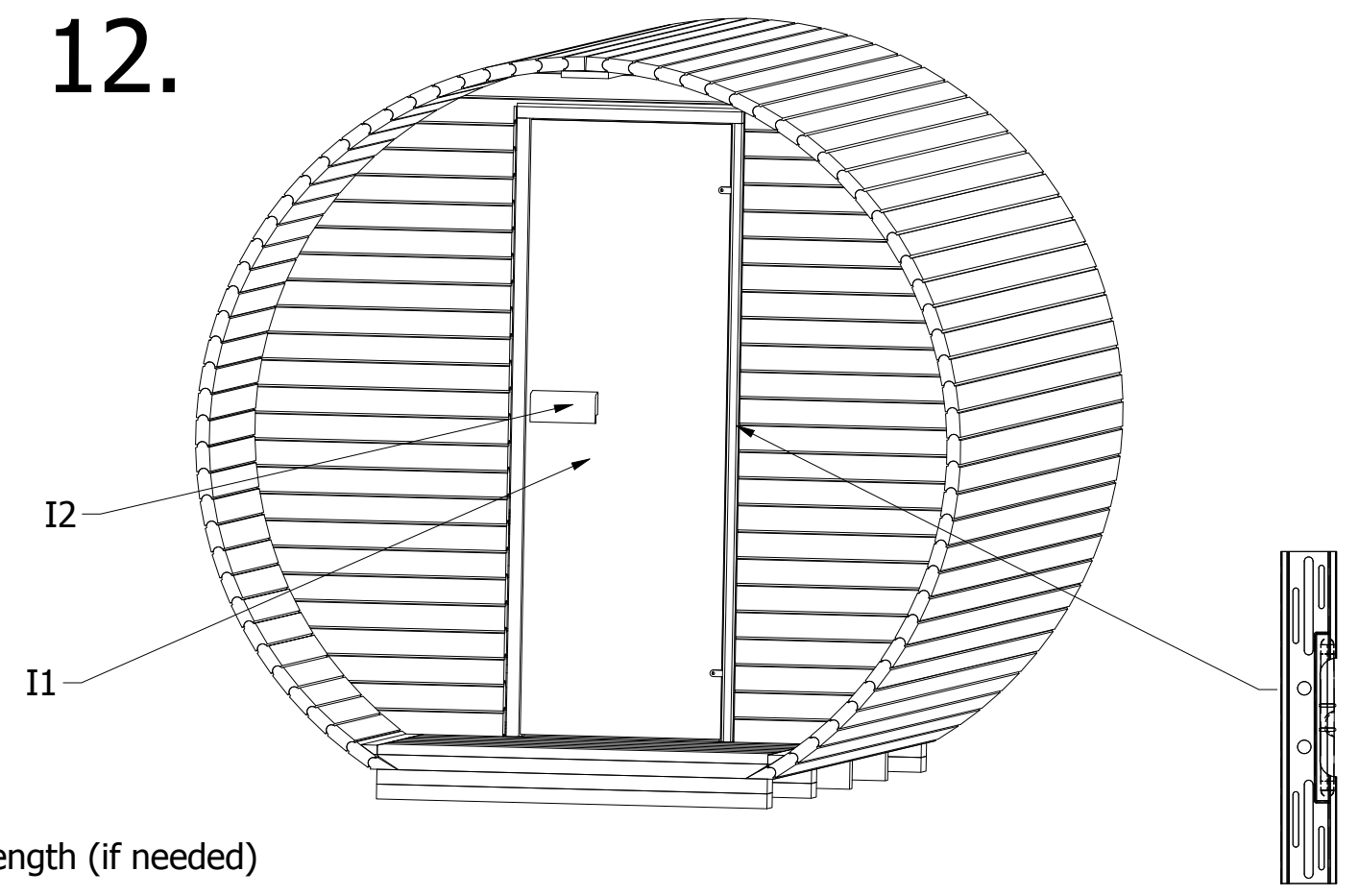


Company Salus Saunas	Description 2, 4 and 6-person barrel	Rev. Nr.		Sheets
		0		7 / 11

11.

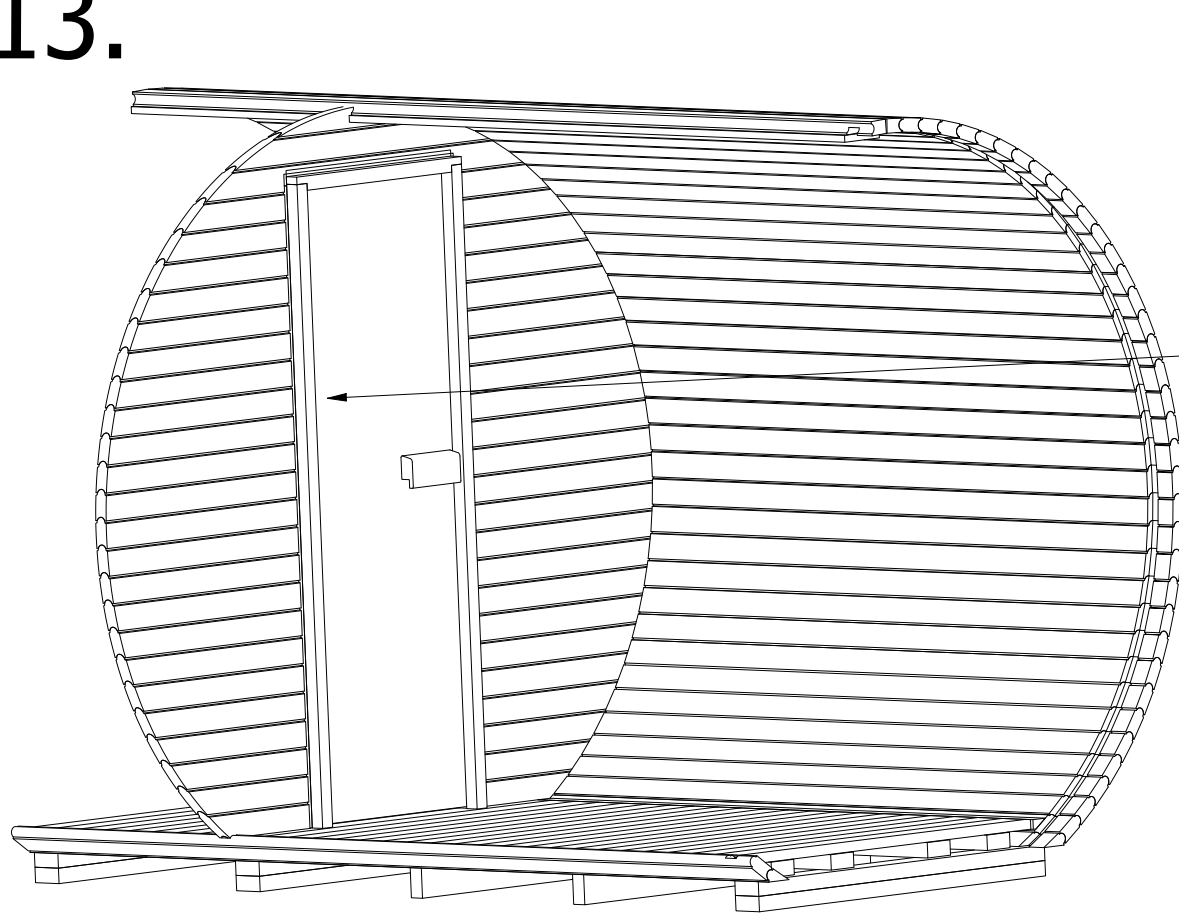


12.

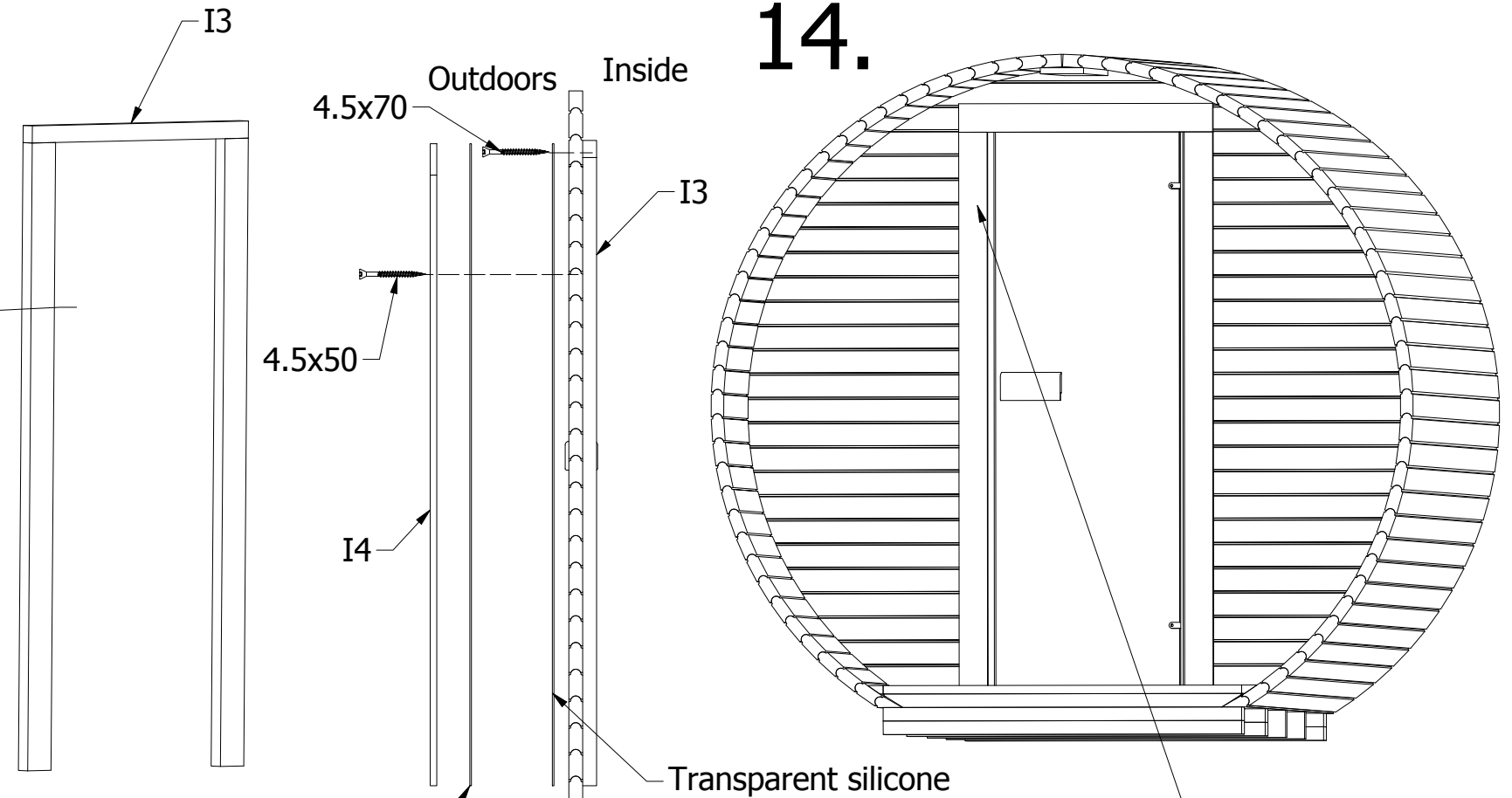


Company Salus Saunas	Description 2, 4 and 6-person barrel	Rev. Nr.		Sheets
		0		8 / 11

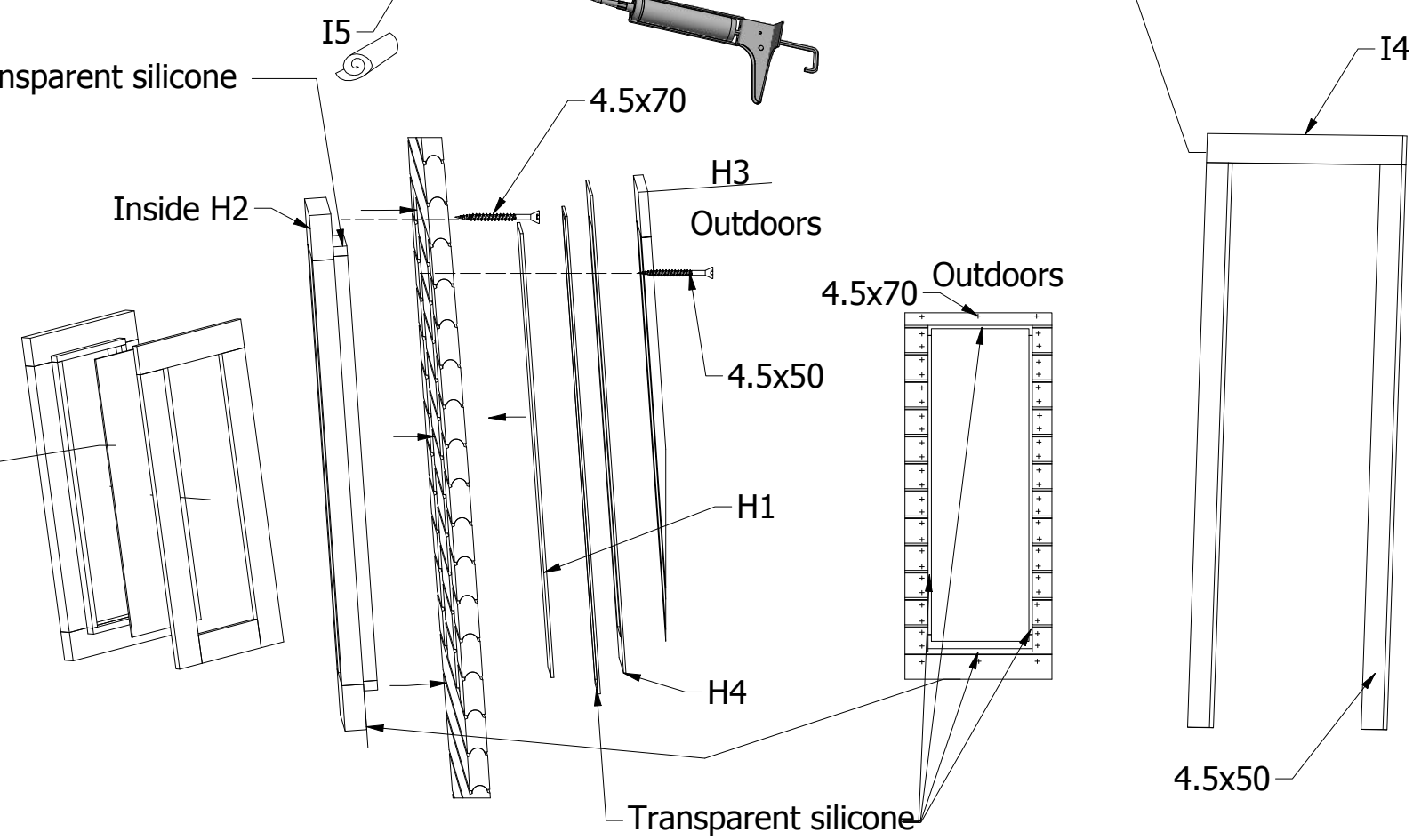
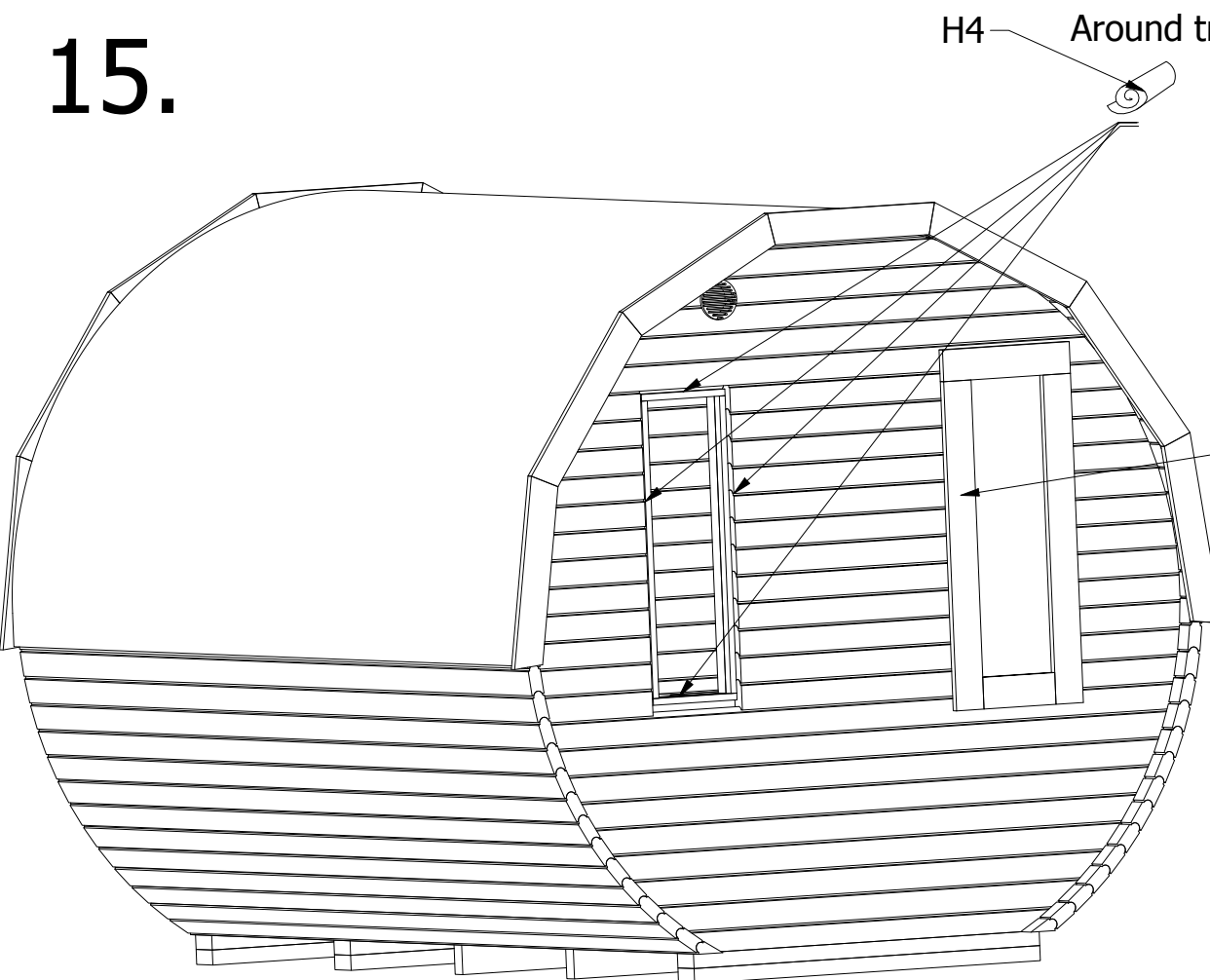
13.



14.

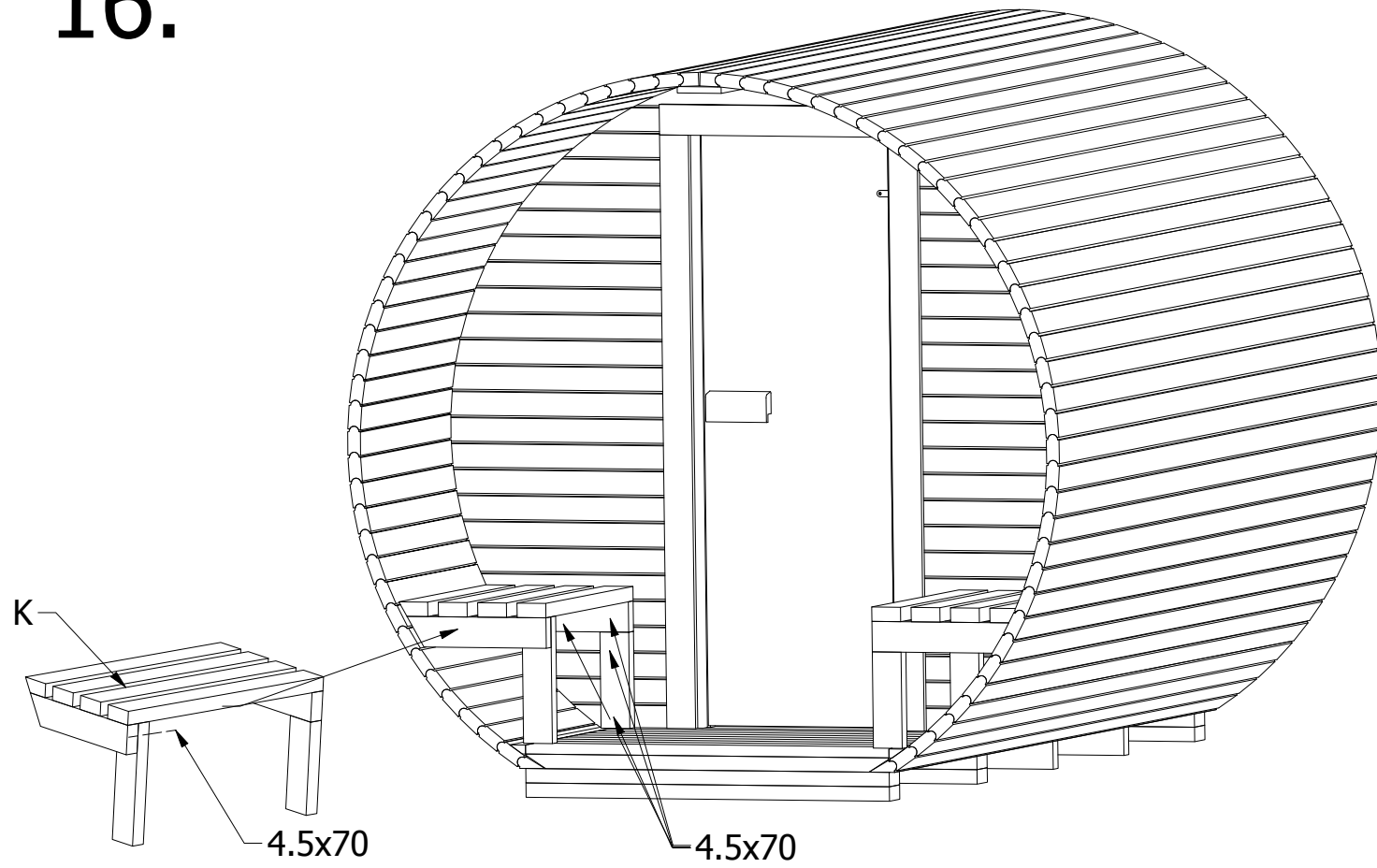


15.

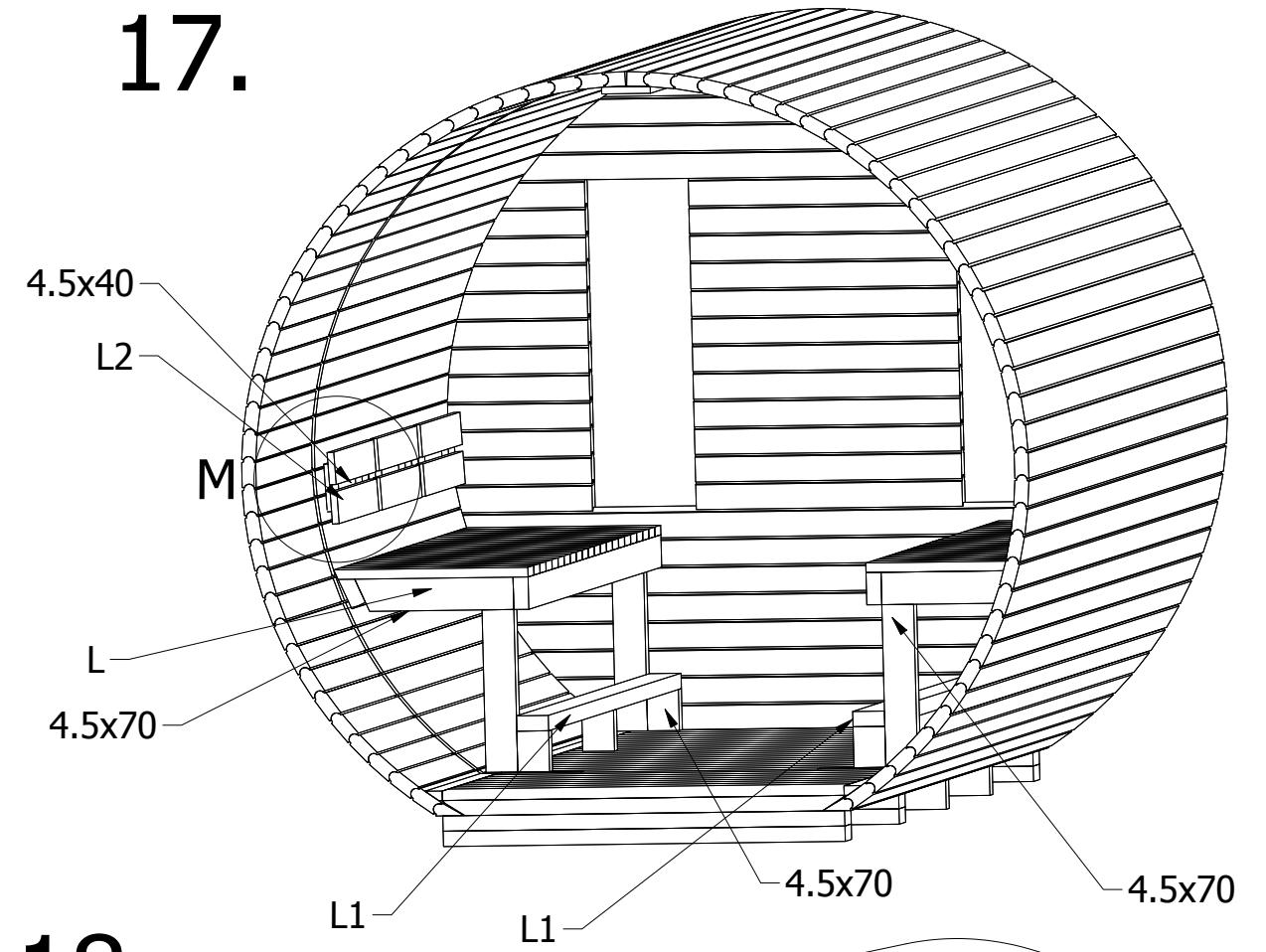


Company	Salus Saunas		Description	2, 4 and 6-person barrel	
Rev. Nr.	0		Sheets	9 / 11	

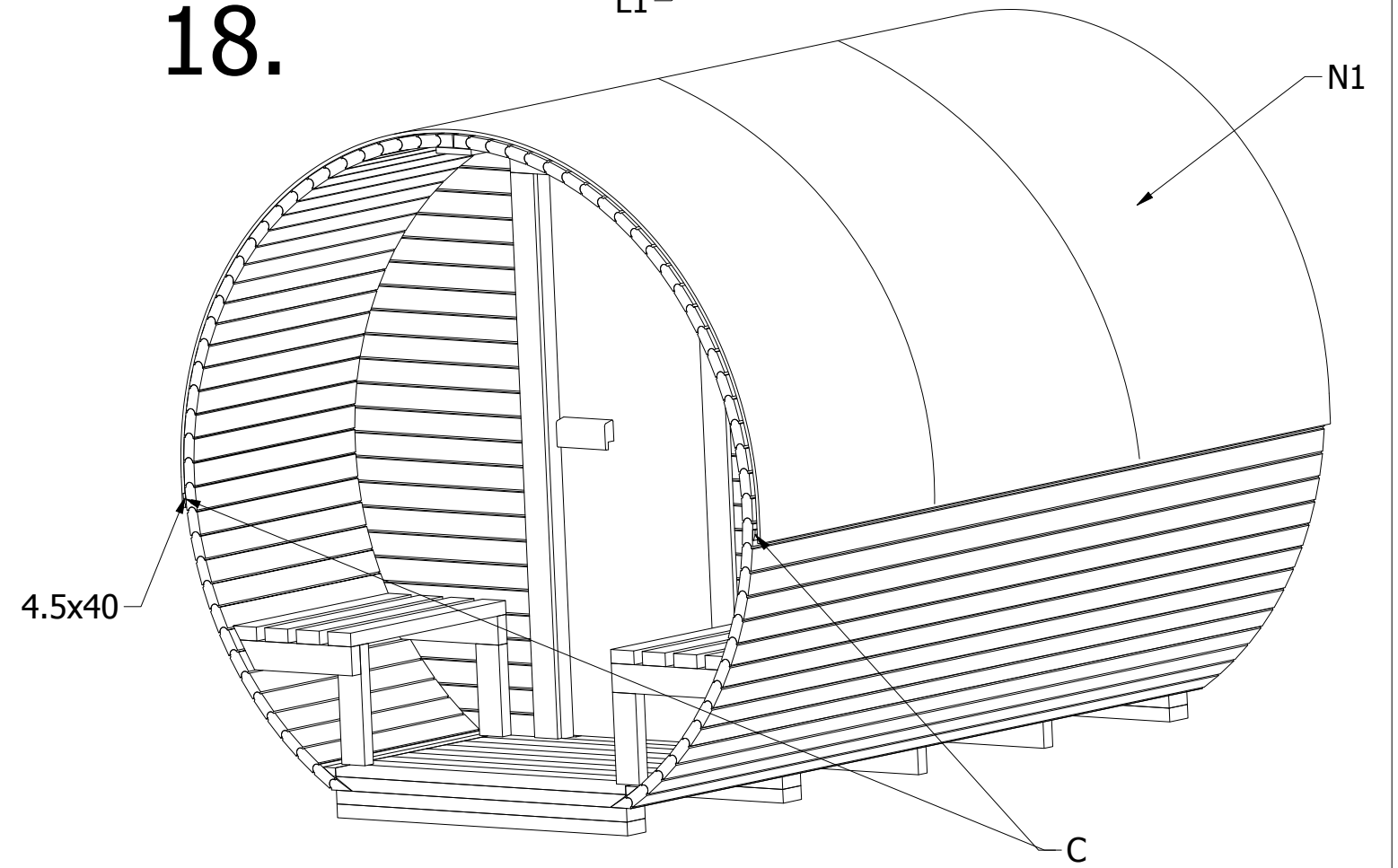
16.



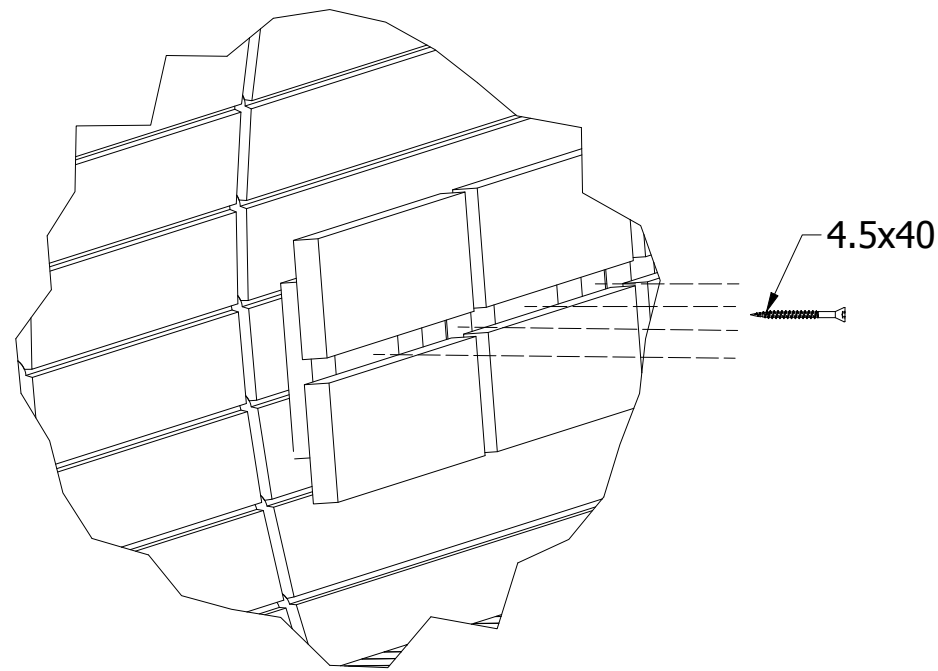
17.



18.

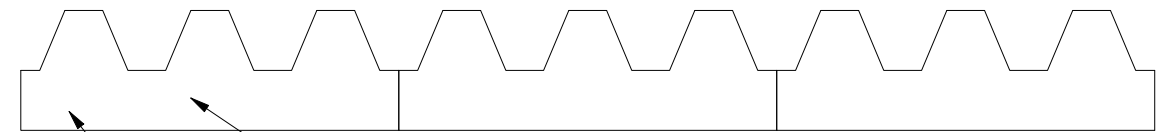
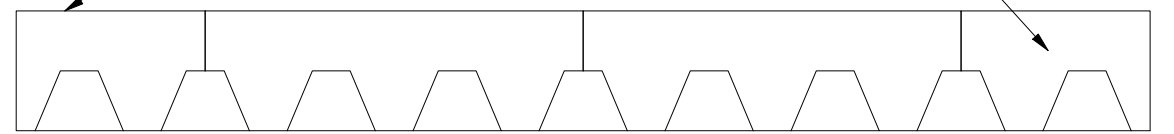
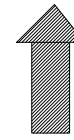
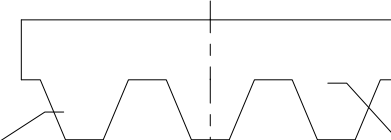
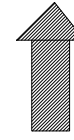
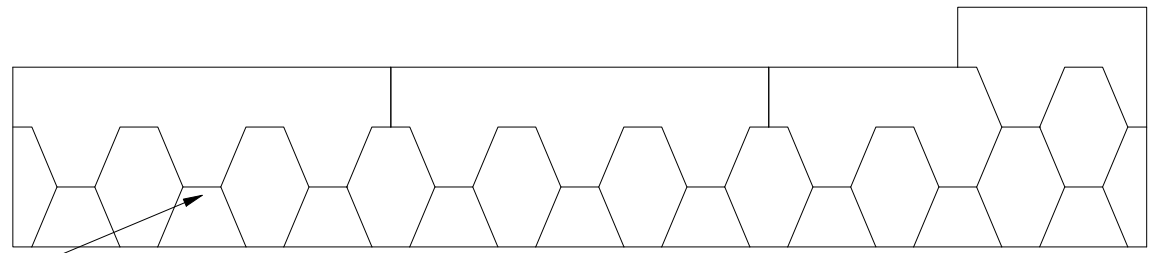
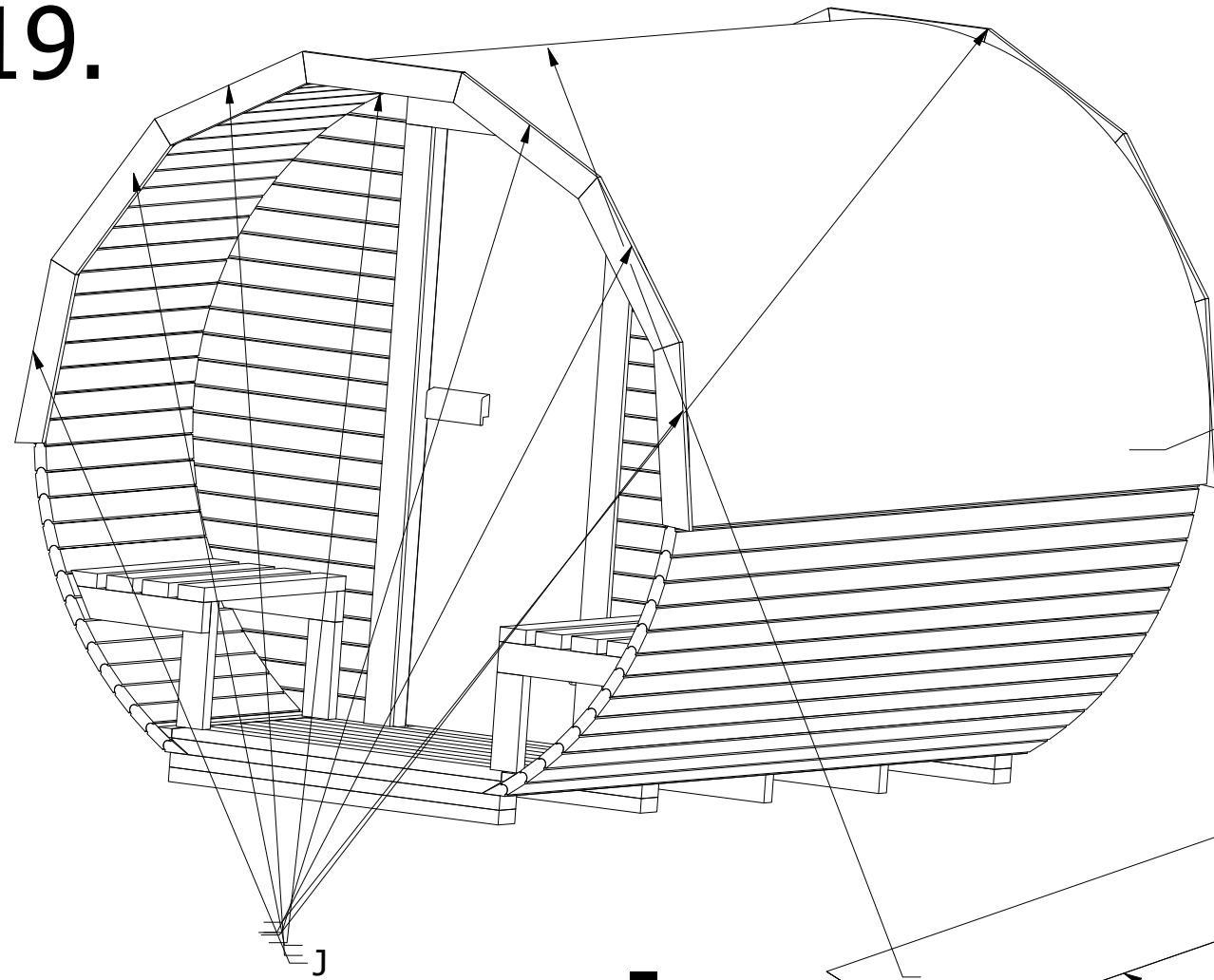


M (1 : 6)



Company	Description	Rev. Nr.	Sheets
Salus Saunas	2, 4 and 6-person barrel	0	10 / 11

19.



N2

Nails 3x22

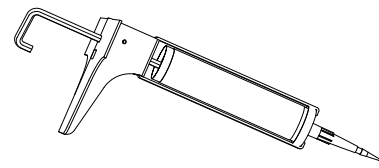
4.8x35

N3

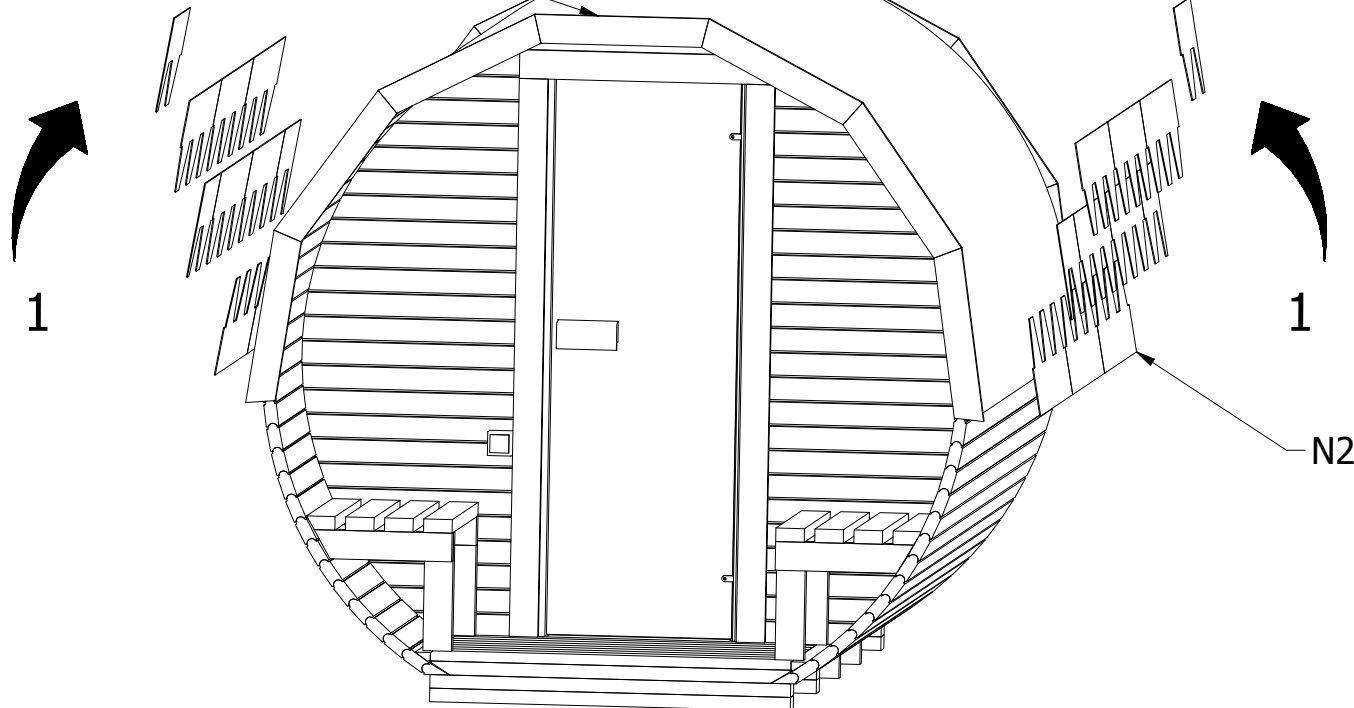


2

N3



Black silicone around



Company Salus Saunas	Description 2, 4 and 6-person barrel	Rev. Nr.		Sheets
		0		11 / 11