

SALUS  SAUNAS



Nordic Sauna
Manual

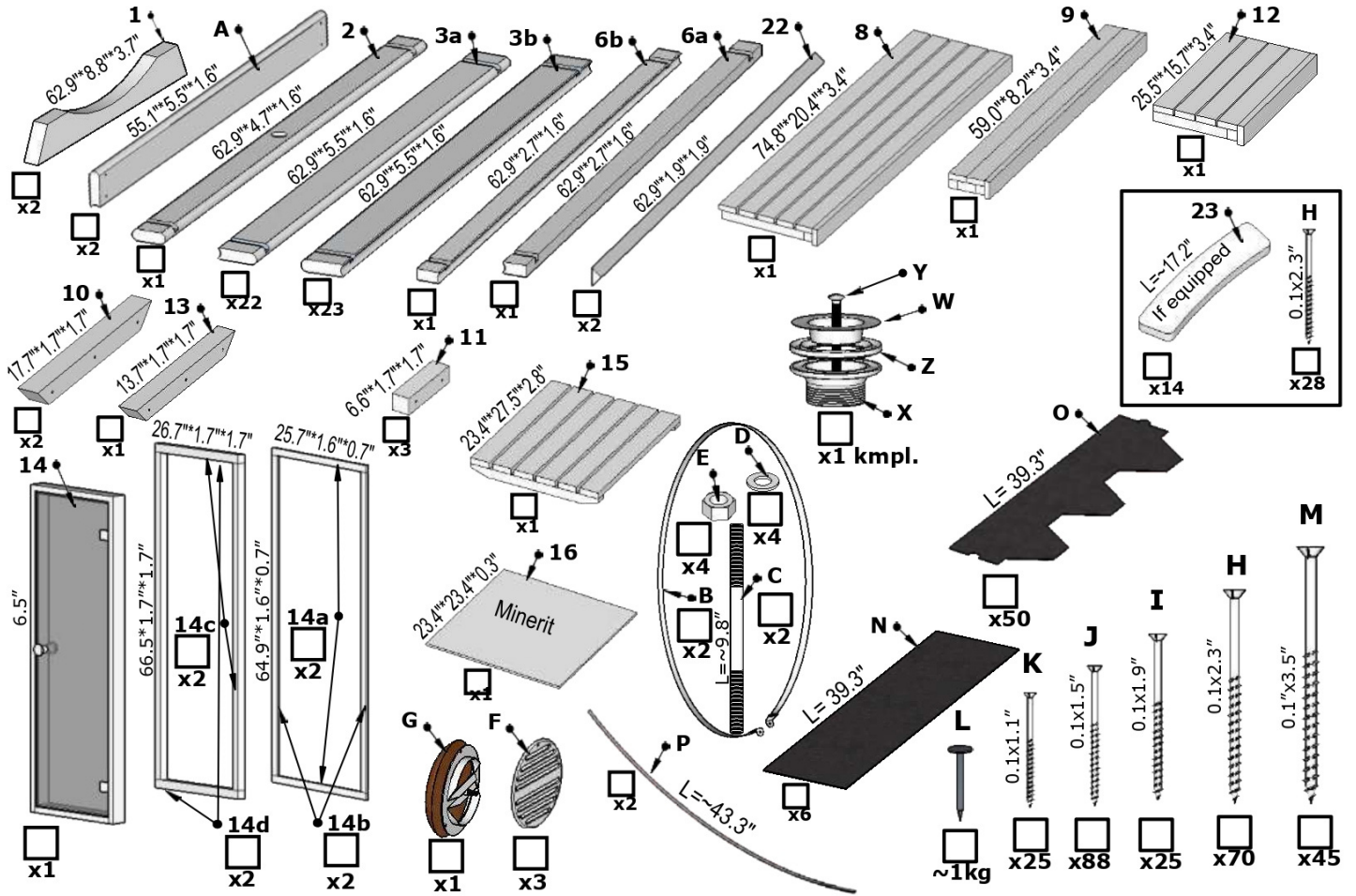


OWNER'S MANUAL

Please read whole manual before you start.
All given measurements are in inches.

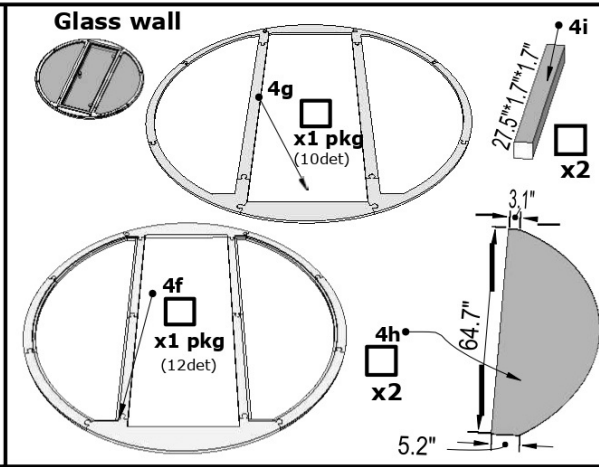
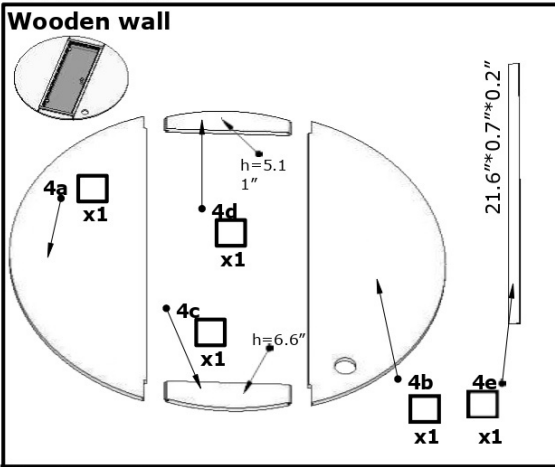
WARNING! Do not place anything combustible close to heater, above the heater, and on both sides of the heater. This includes but not limited to towels, lights, robe hooks, accessories, etc. Nothing should be on the same wall as your heater that is combustible.

Details list

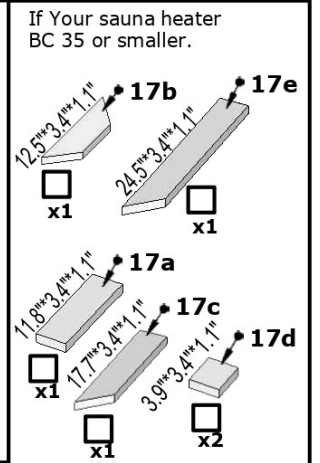


Wall options

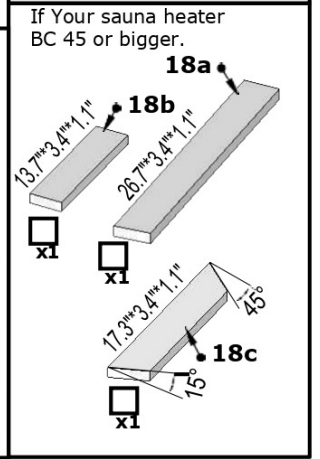
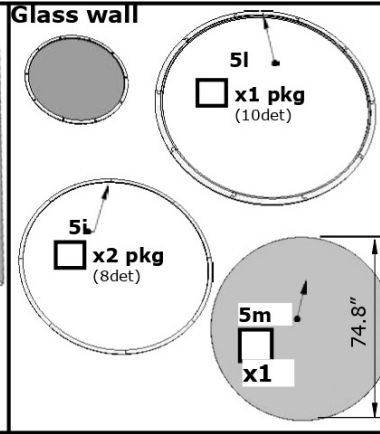
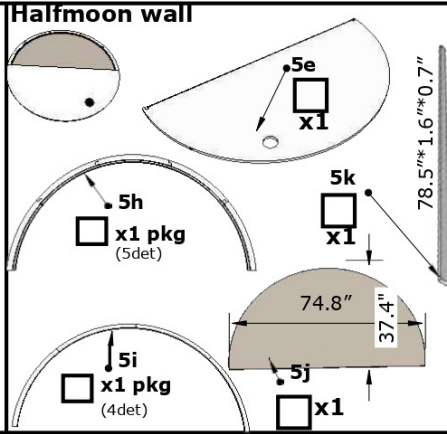
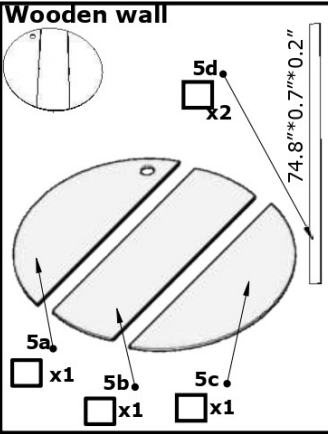
Front wall

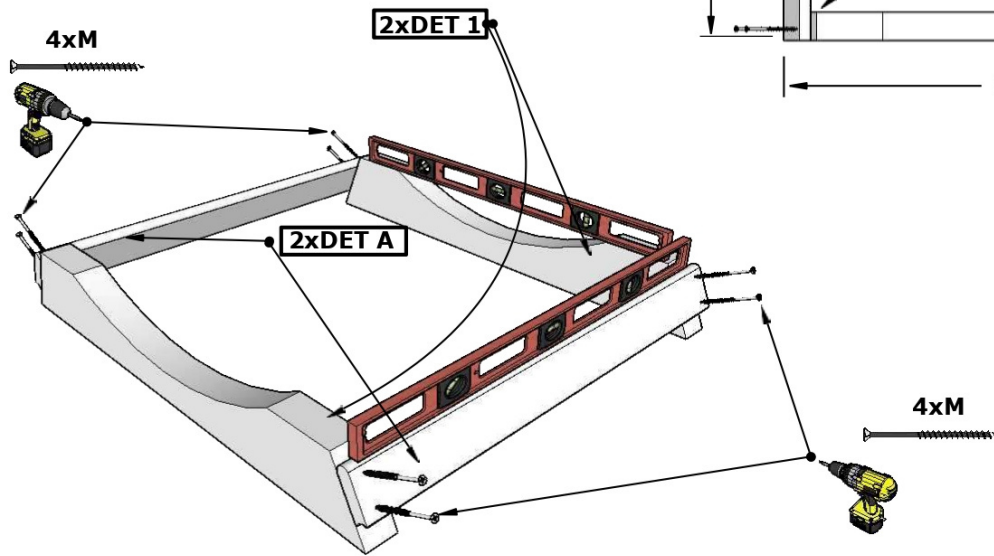
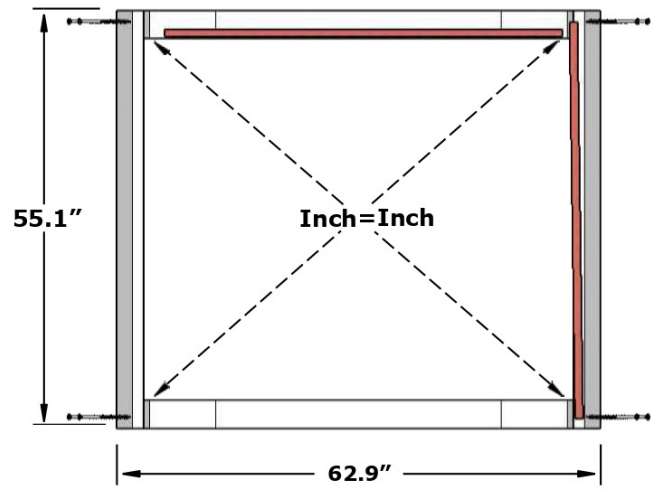


Heater guard

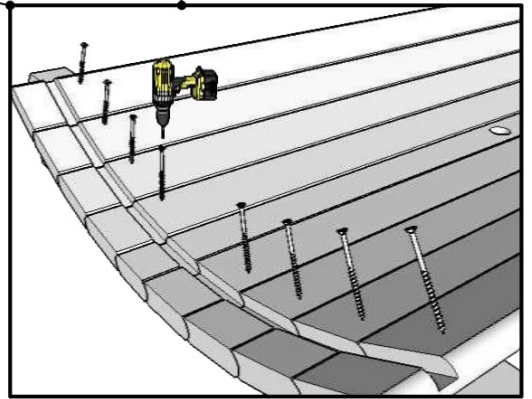
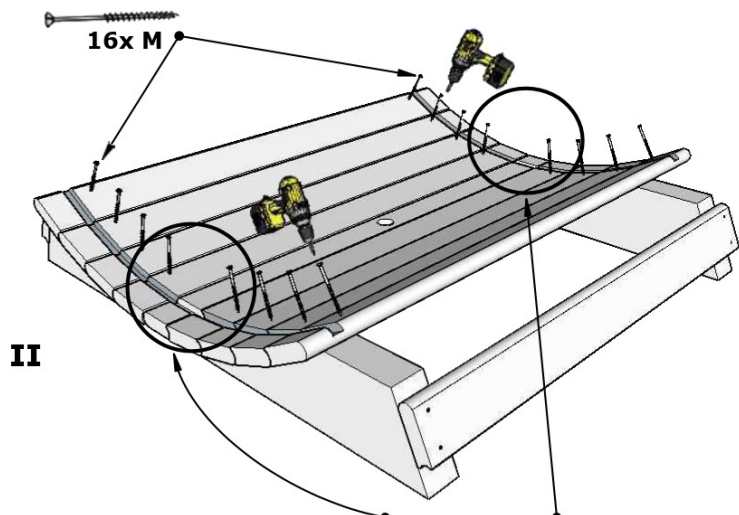
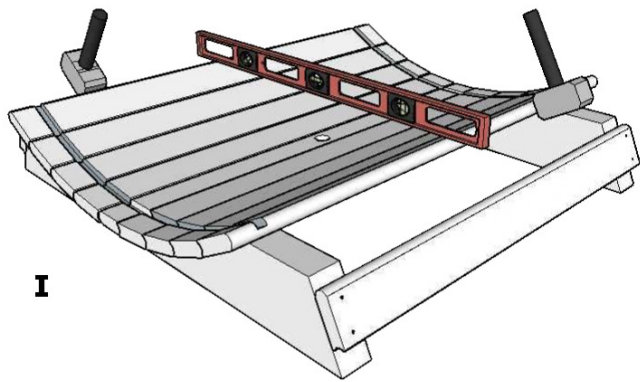


Back wall

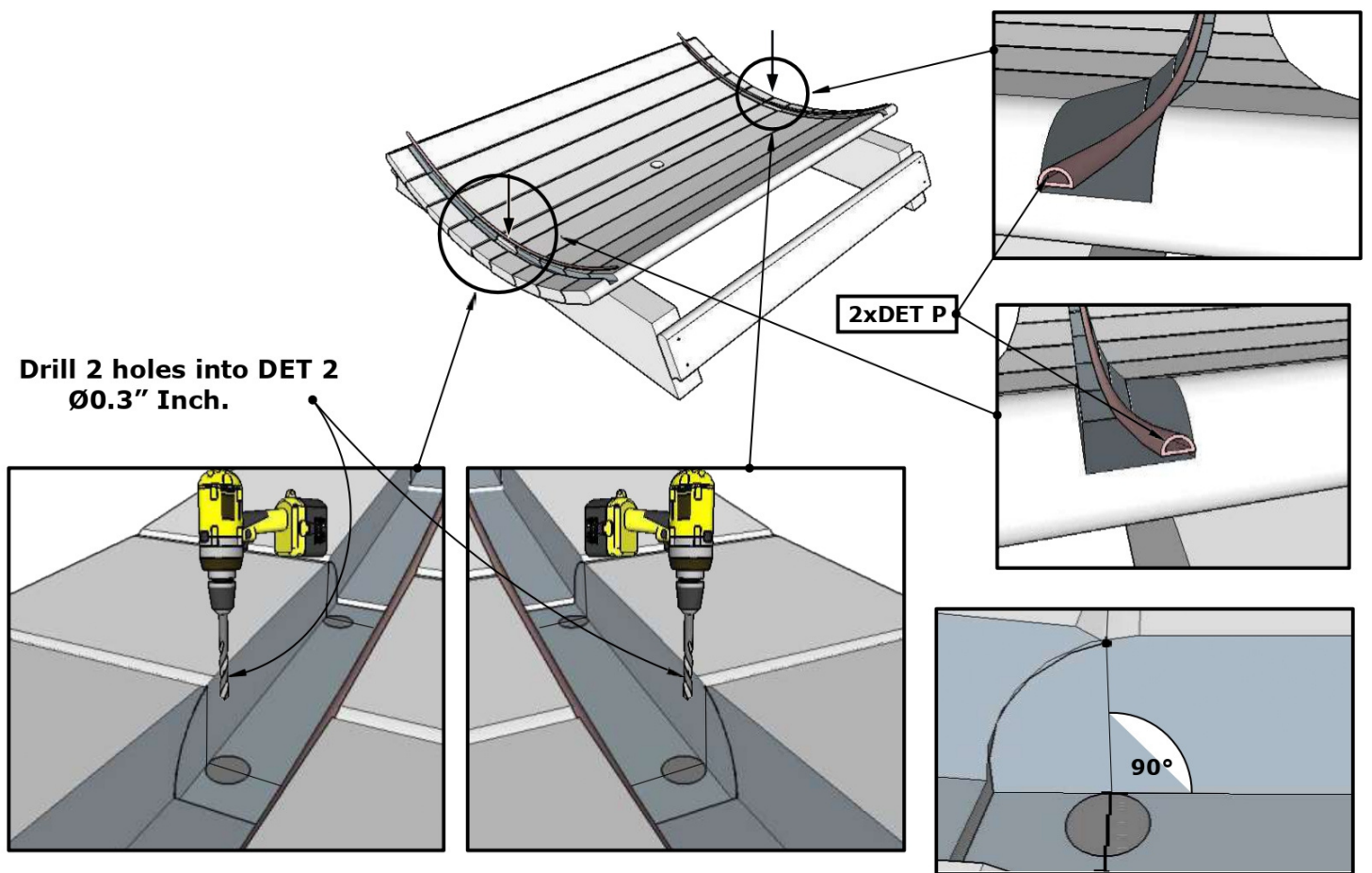




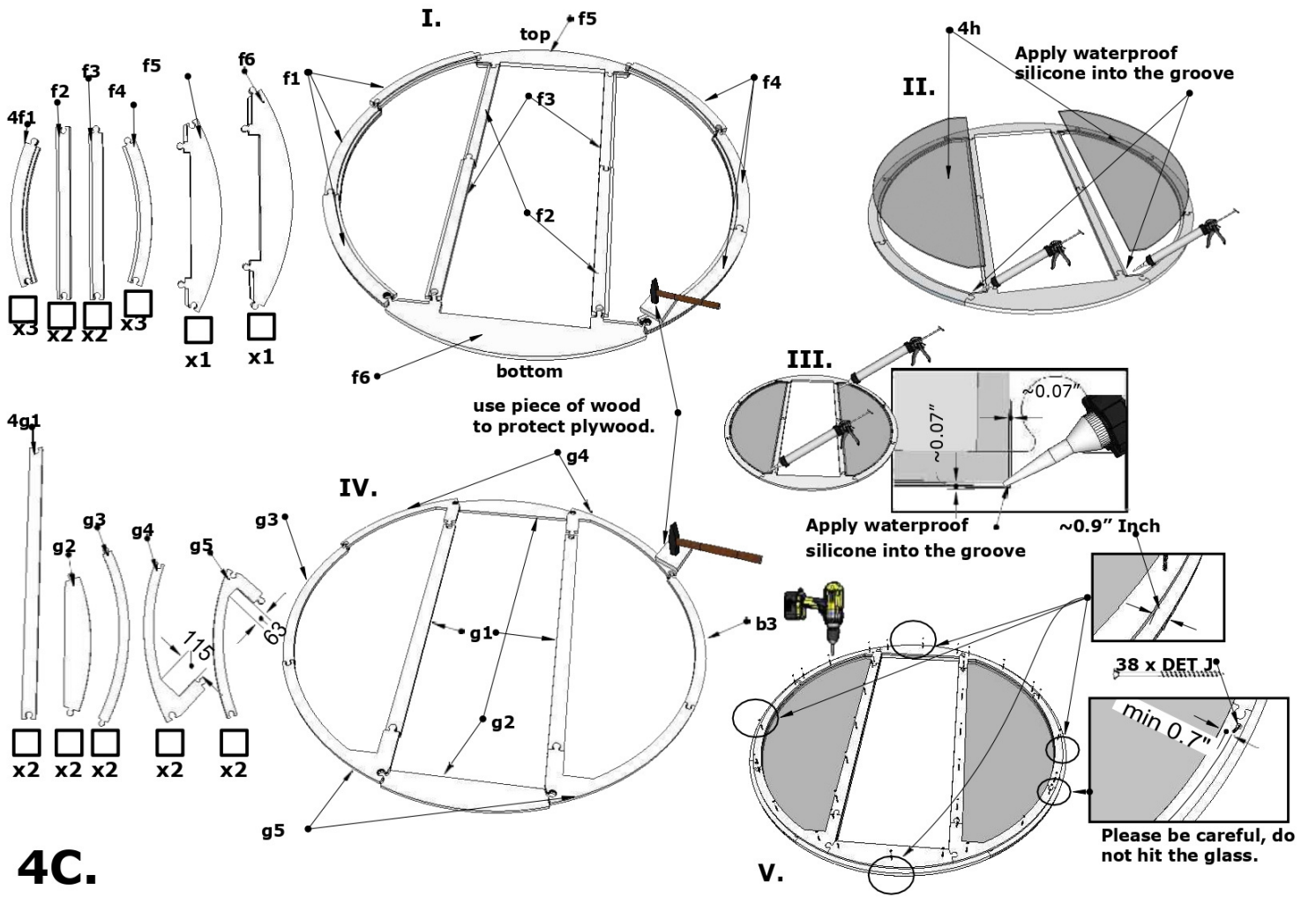
1.

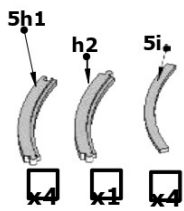


3.

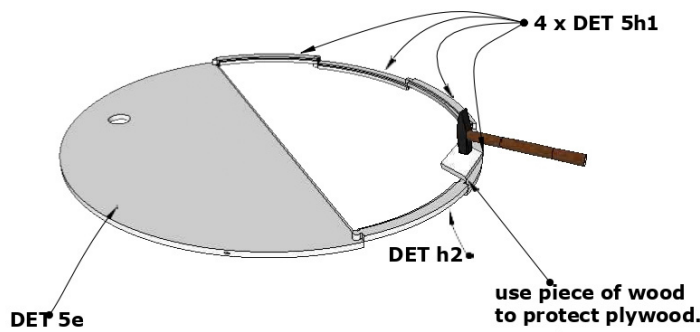


3a.

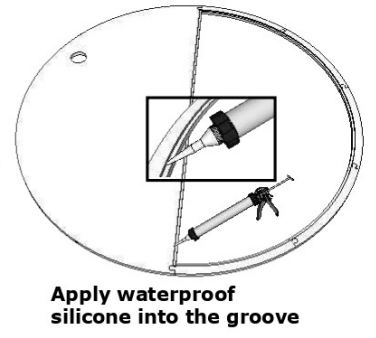




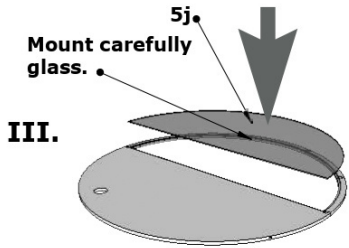
I.



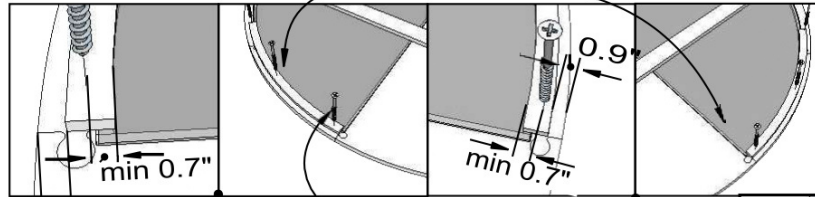
II.



Apply waterproof silicone into the groove



III.



0.9"

6 X J

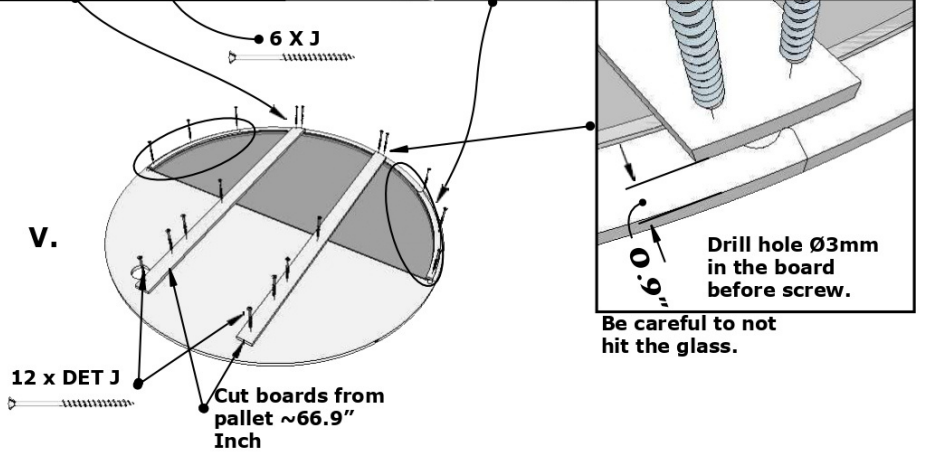


Apply waterproof silicone into the groove

IV.

4A.

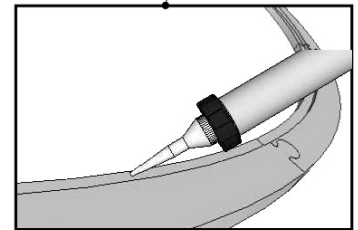
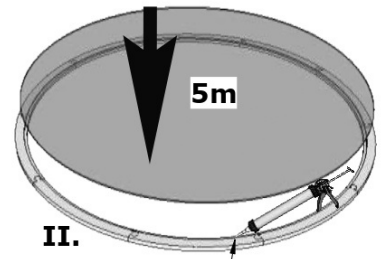
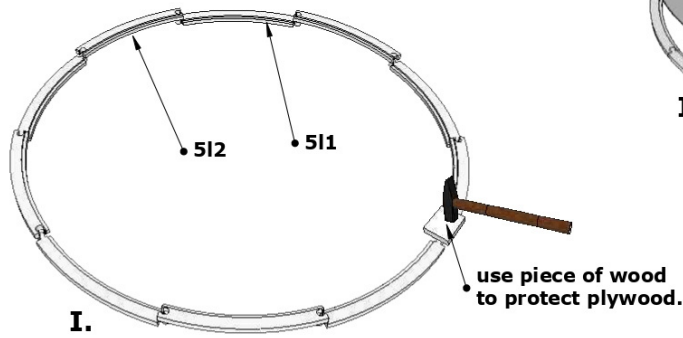
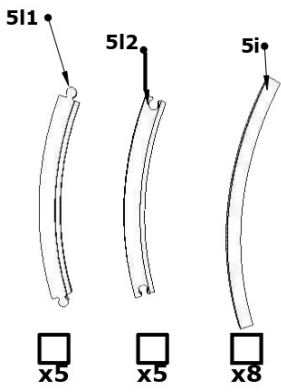
V.



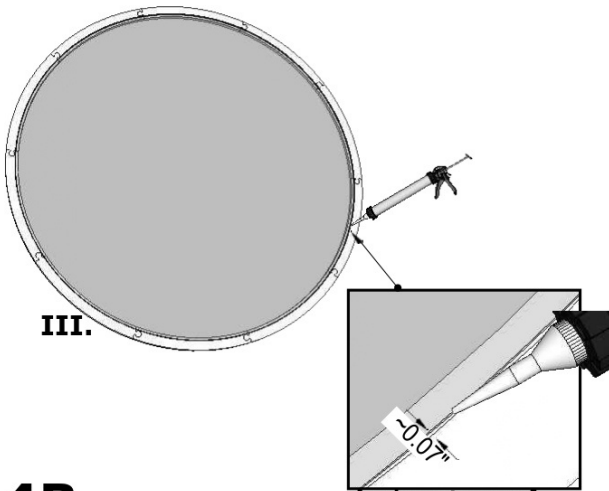
12 x DET J

Cut boards from pallet ~66.9" Inch

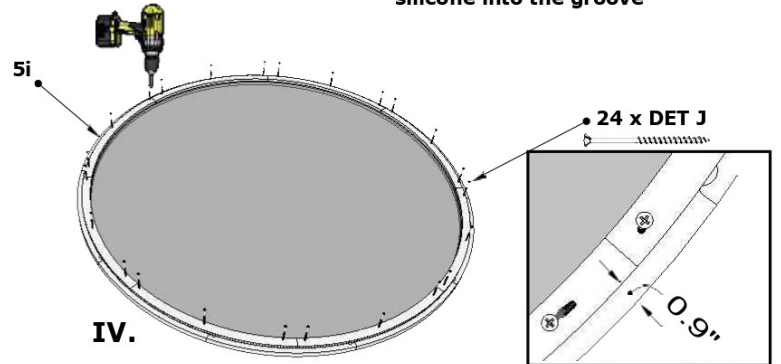
Be careful to not hit the glass.



Apply waterproof silicone into the groove

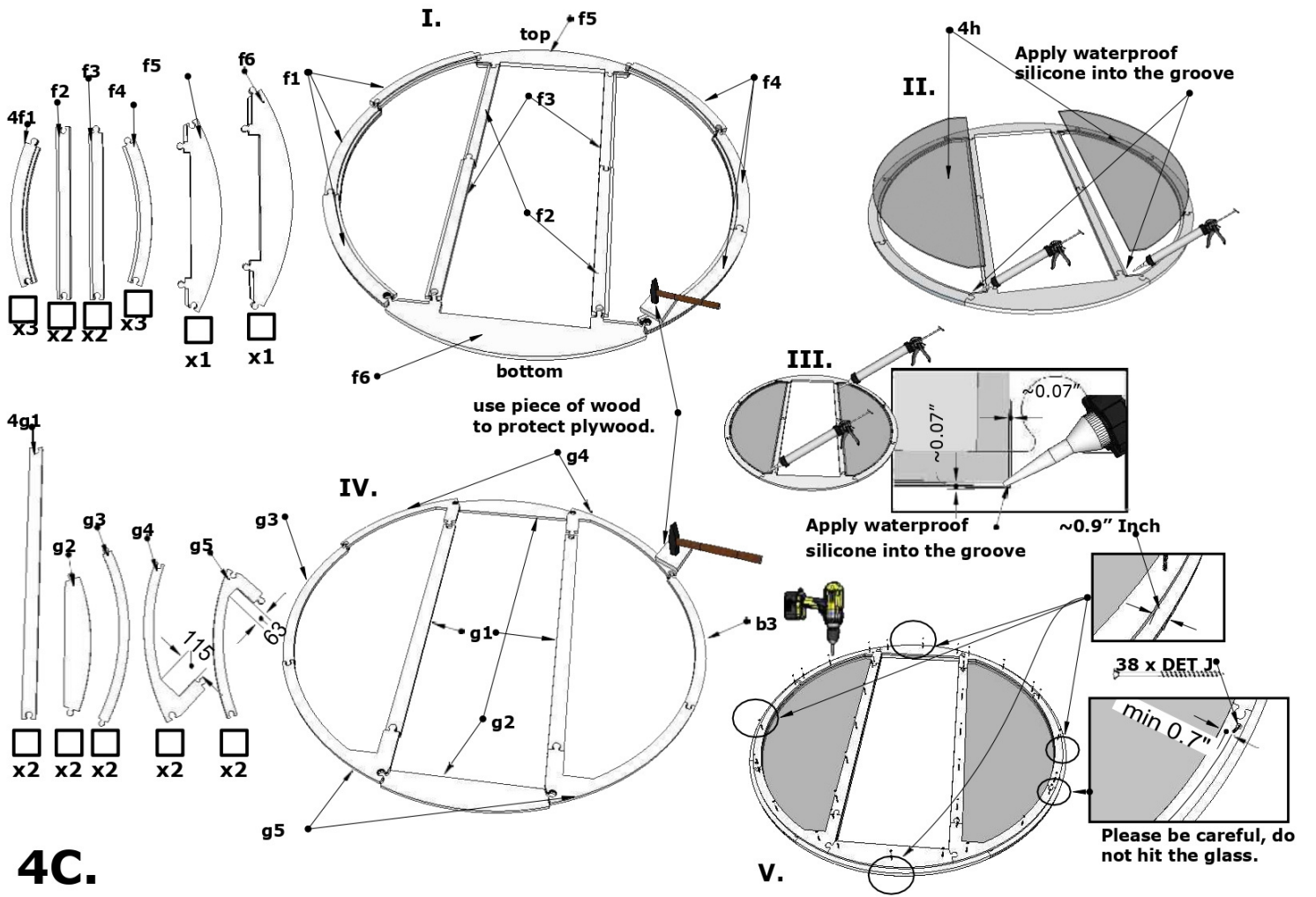


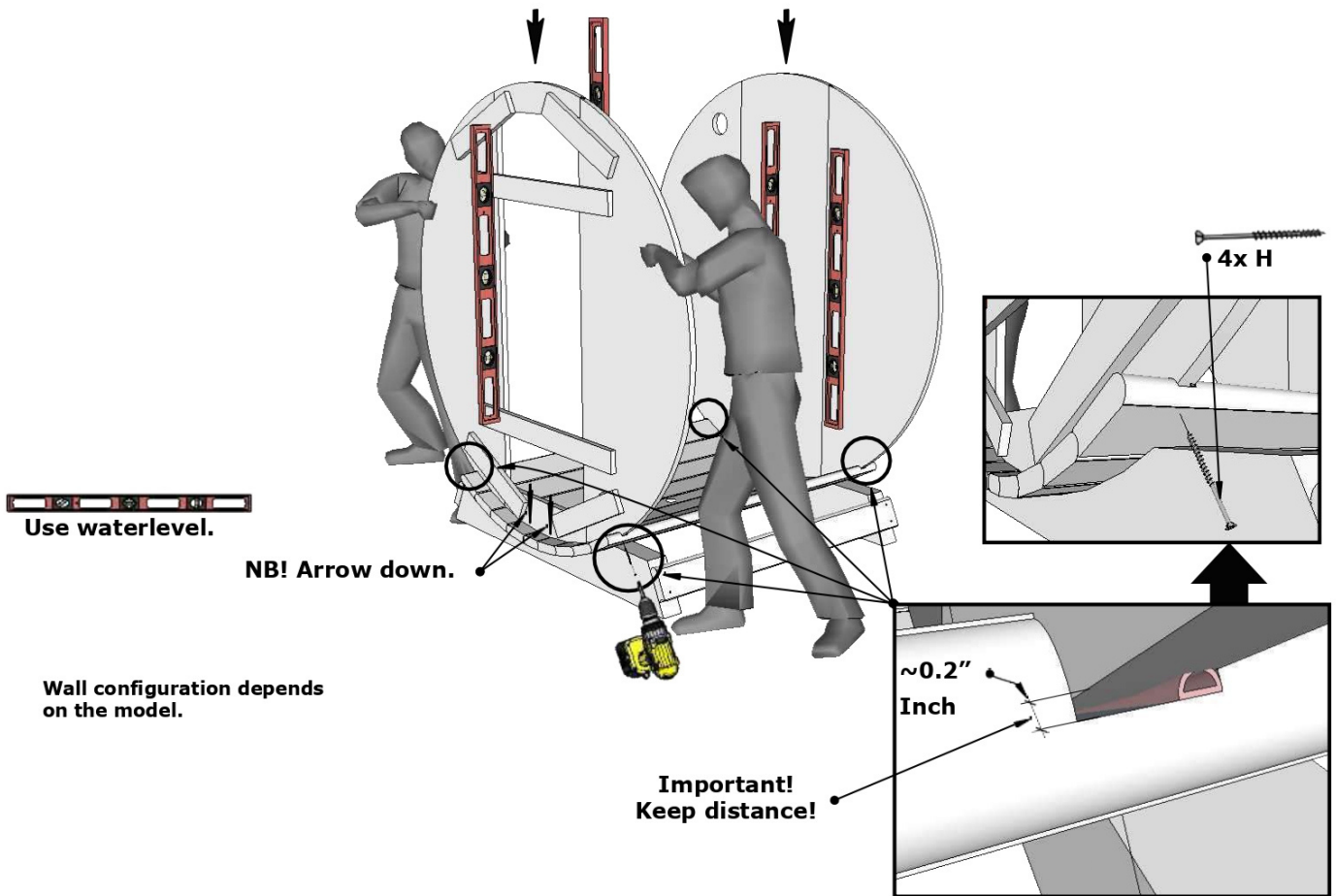
Apply waterproof silicone into the groove



Please be careful, do not hit the glass.

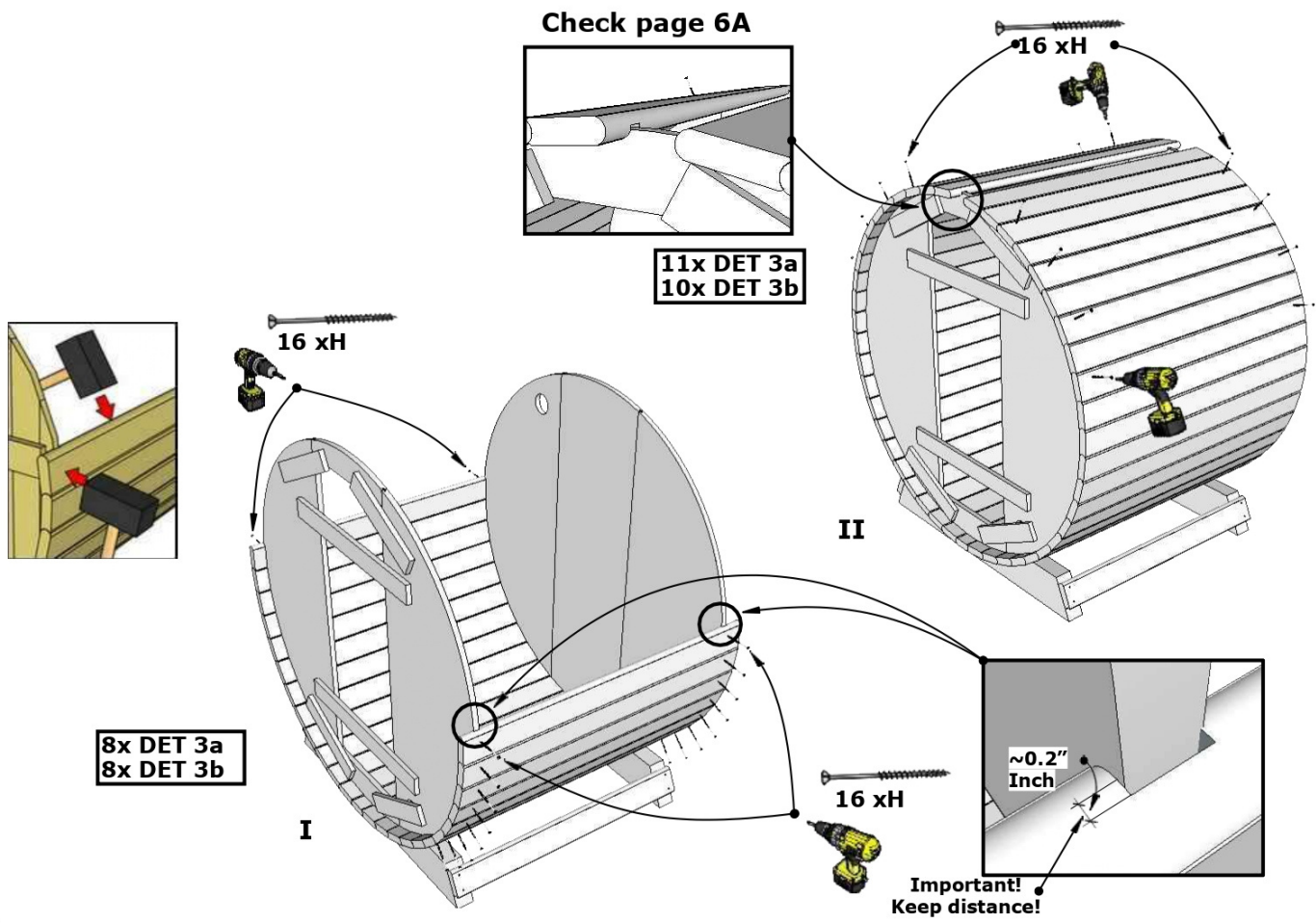
4B.



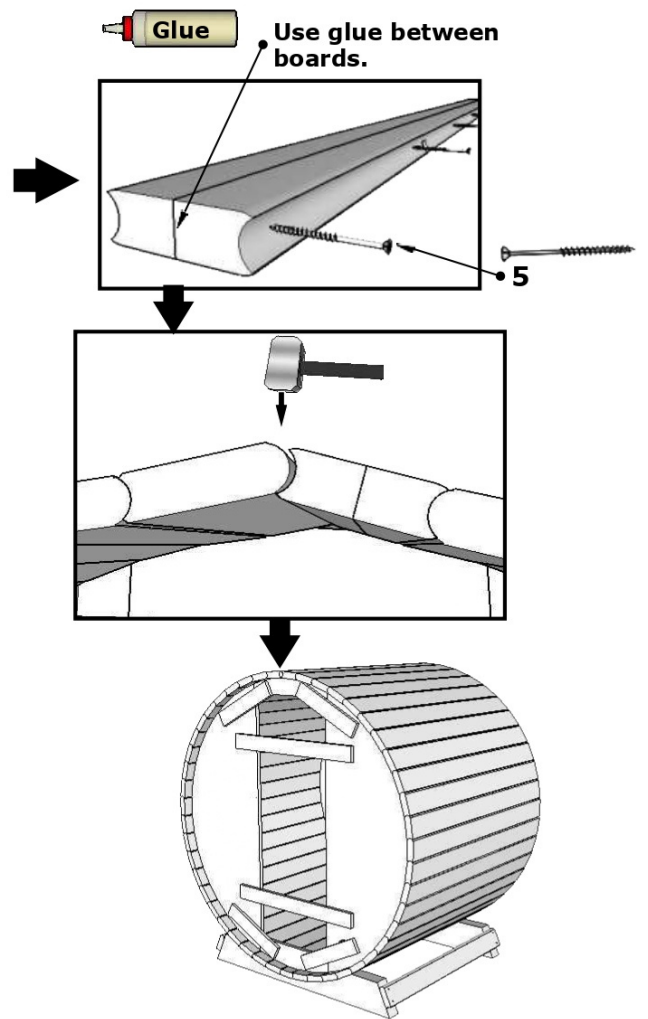
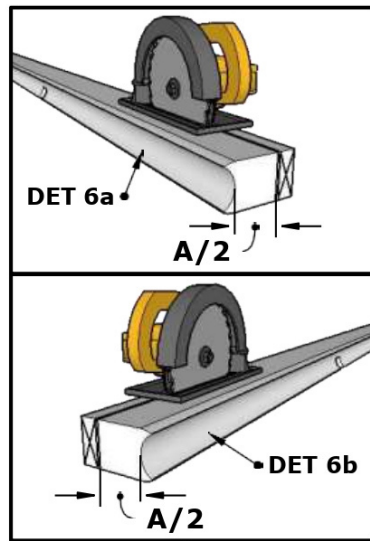
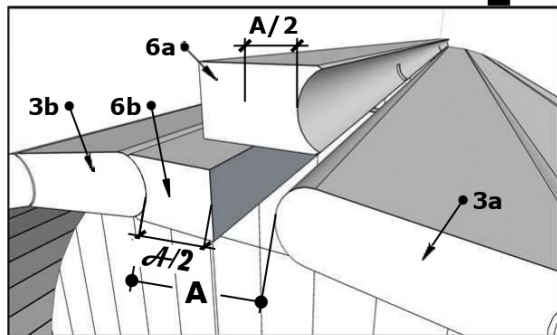


5.

6.

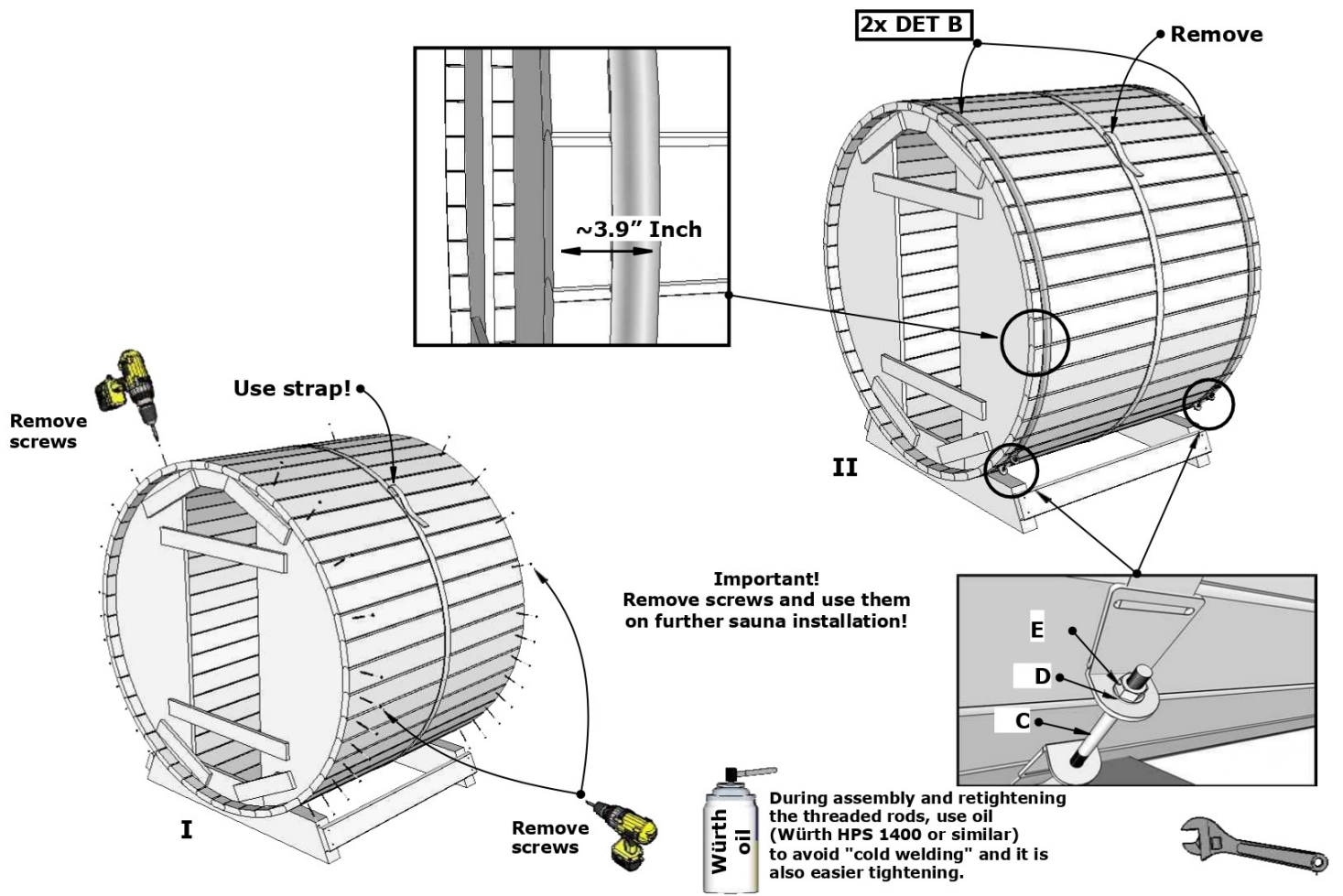


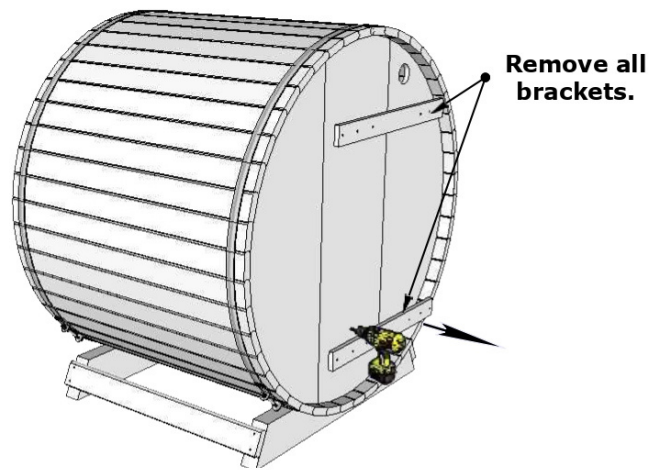
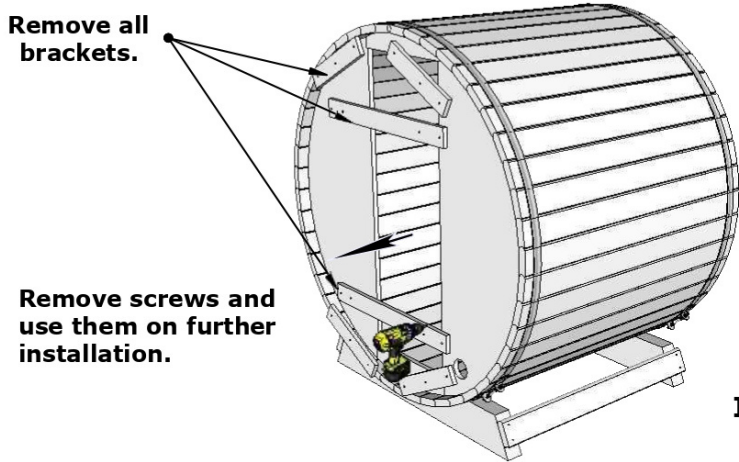
Important !!!



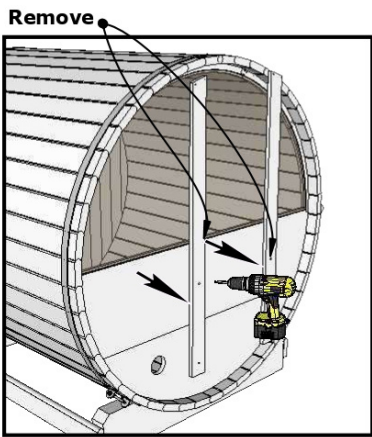
6a.

7.

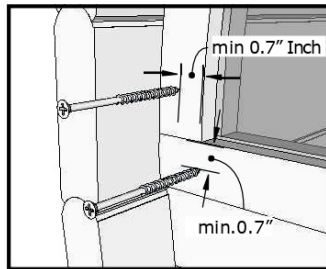




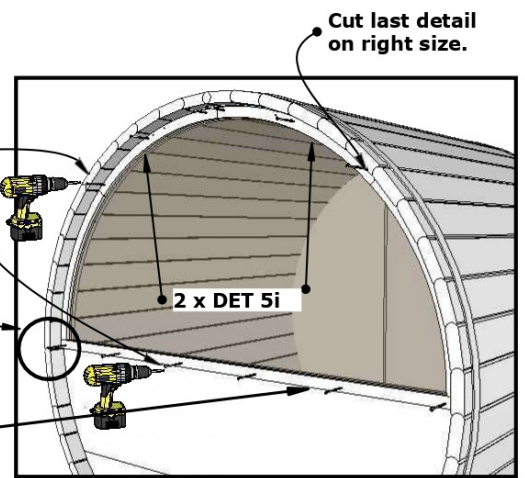
Half-moon glass wall mounting



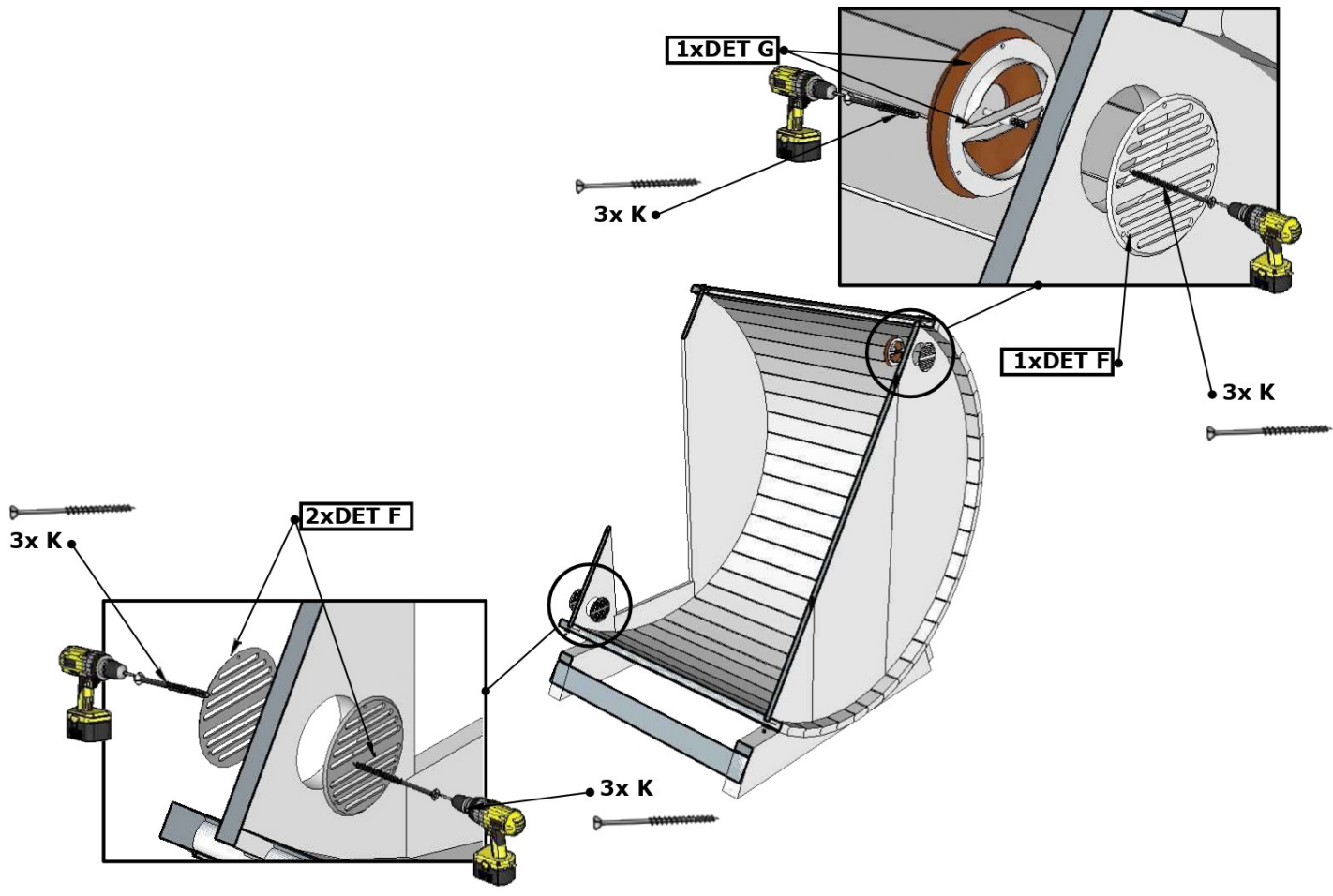
Be careful! Do not hit the glass!



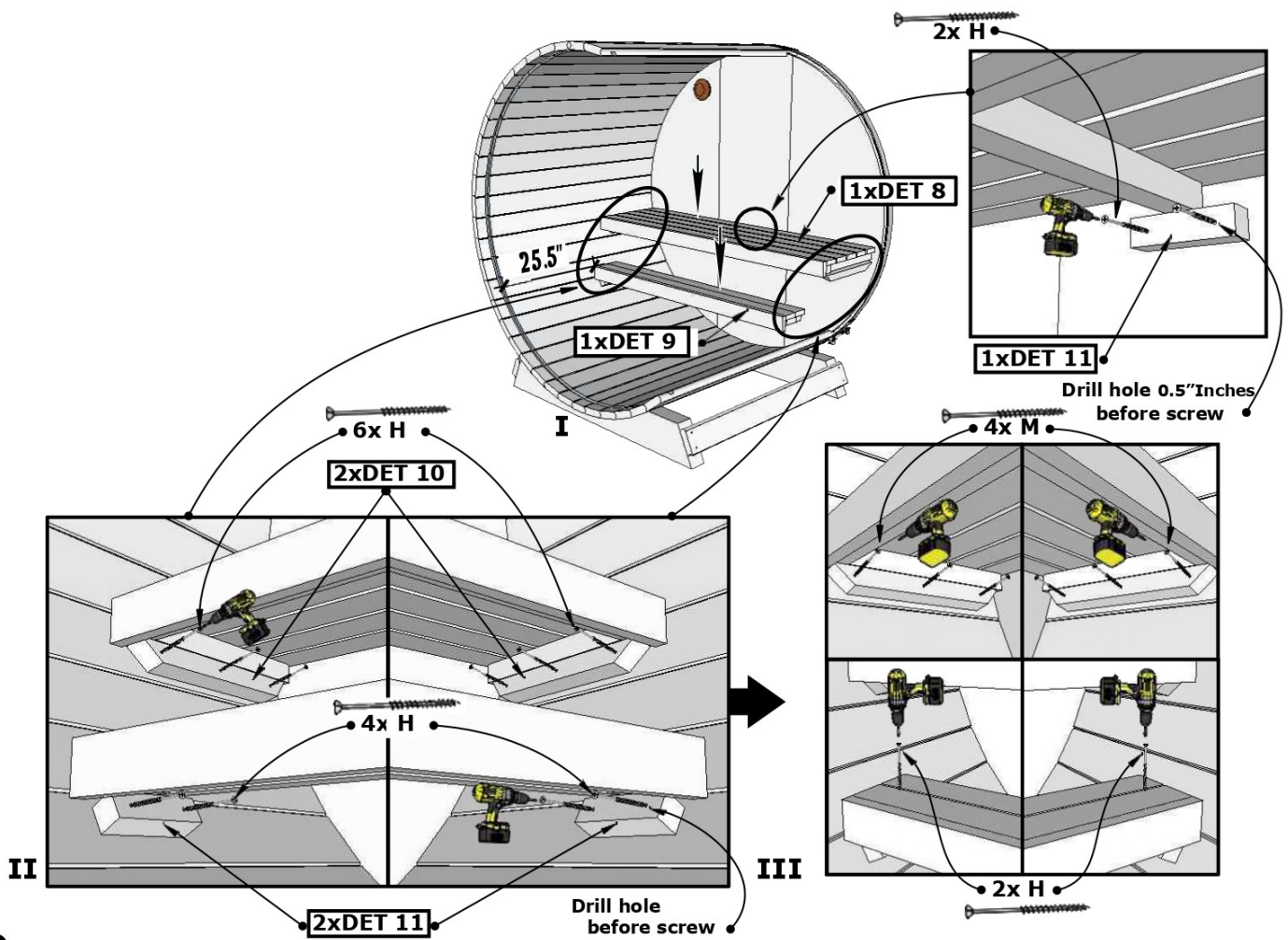
1x DET 5k
cut on right size



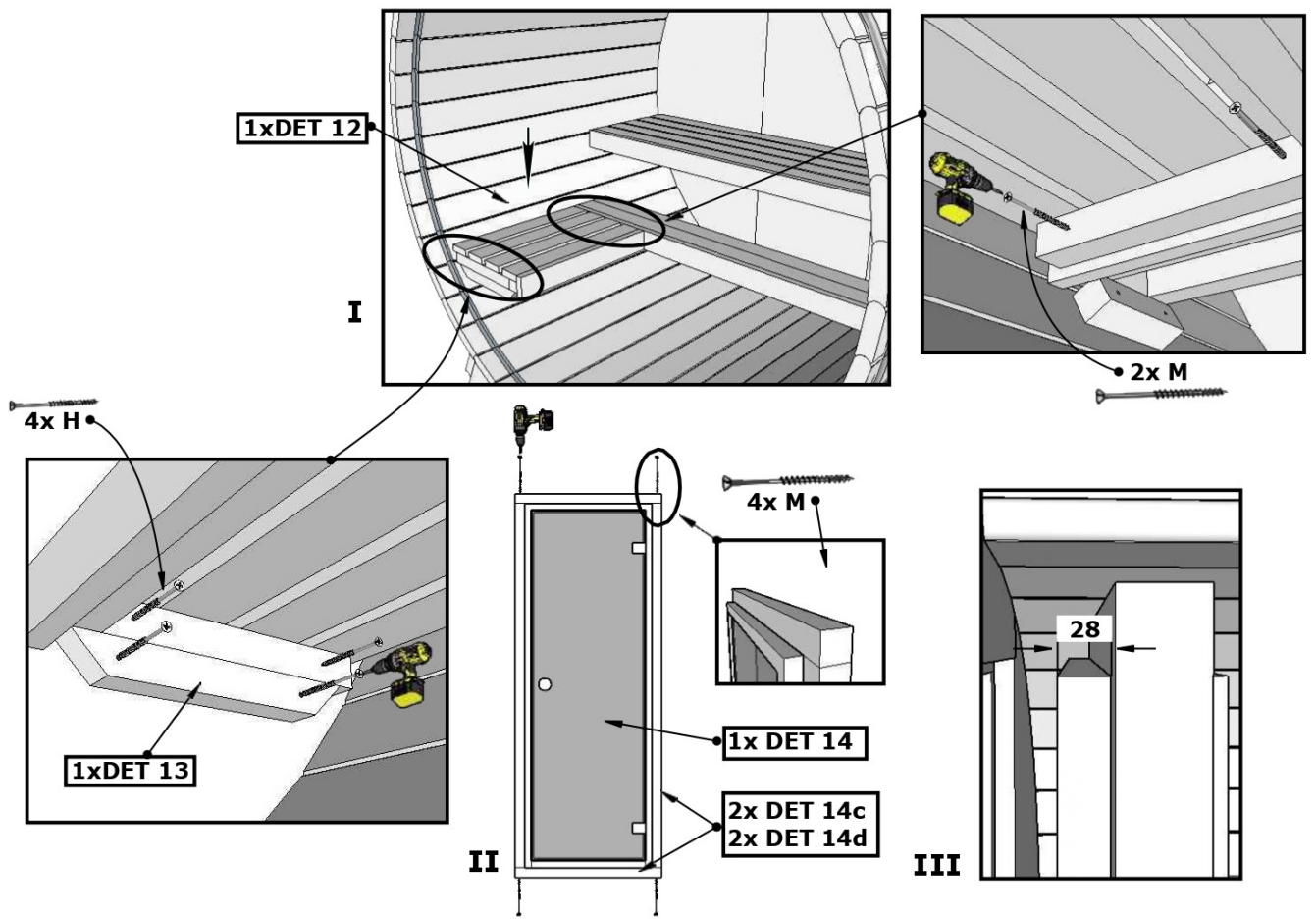
8.



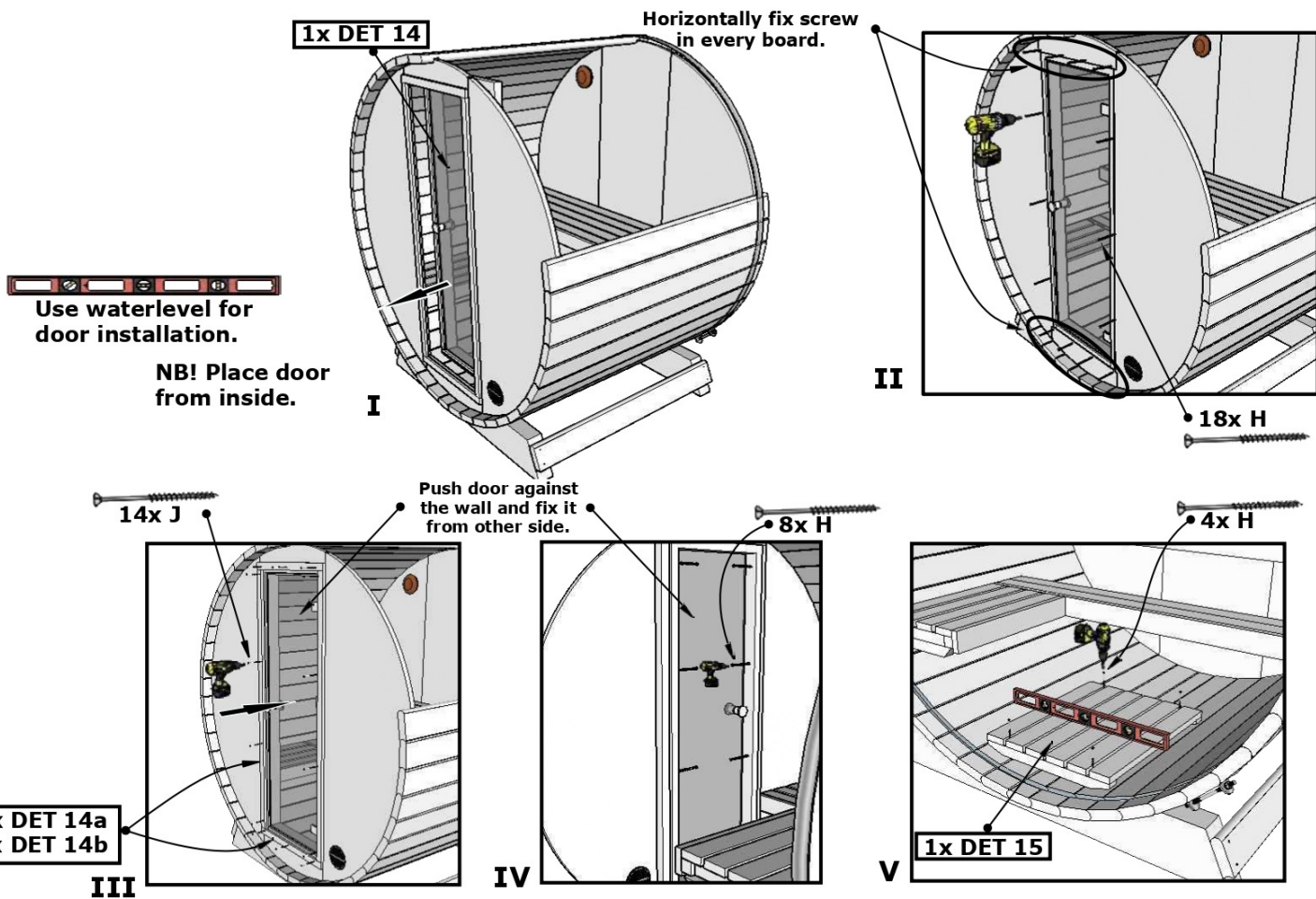
9.



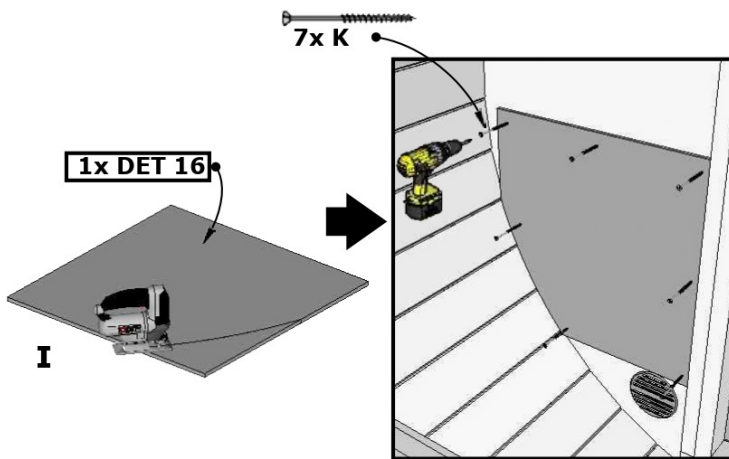
10.



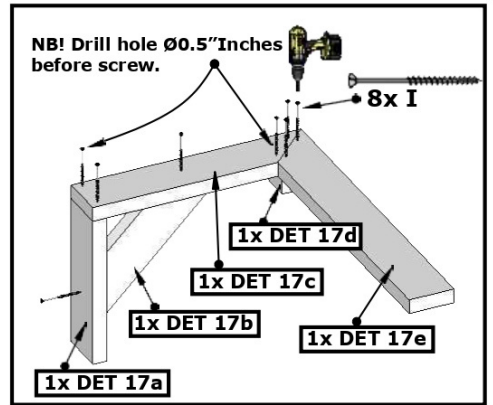
11.



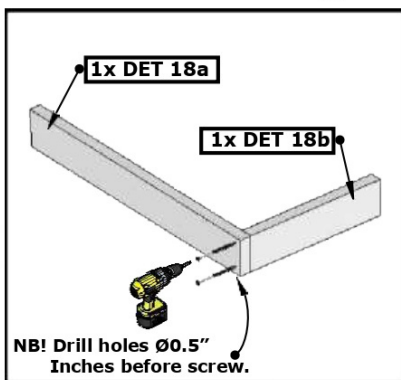
12.



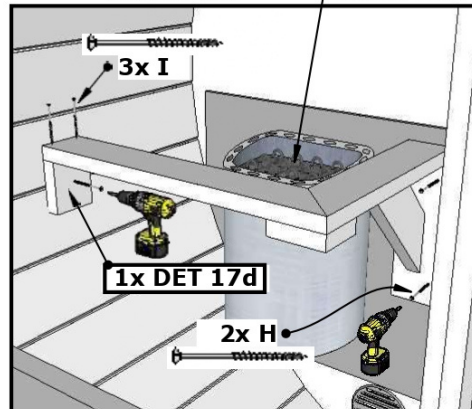
If Your sauna heater BC 35 or smaller.



If Your sauna heater BC 45 or bigger.

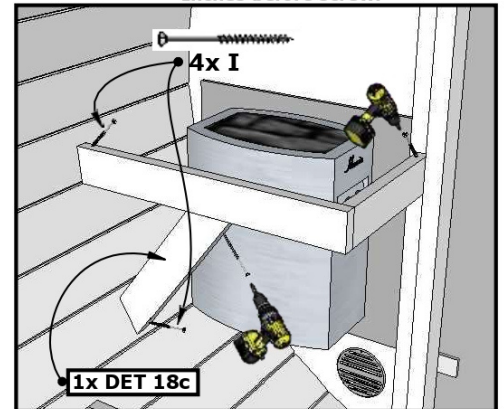


NB! Drill holes Ø0.5" before screw. NB! Place sauna heater first.



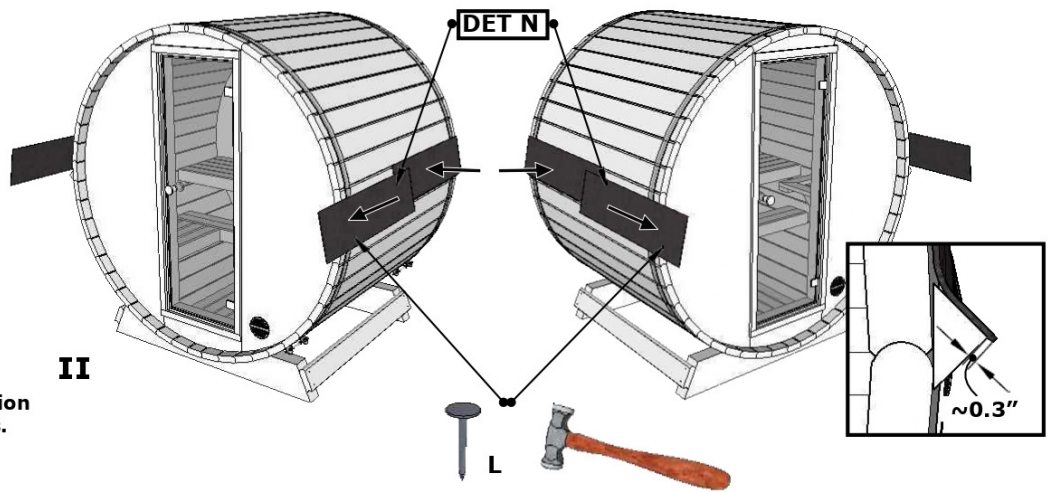
If Your sauna heater BC 35 or smaller.

NB! Drill holes Ø0.5" Inches before screw.



If Your sauna heater BC 45 or bigger.

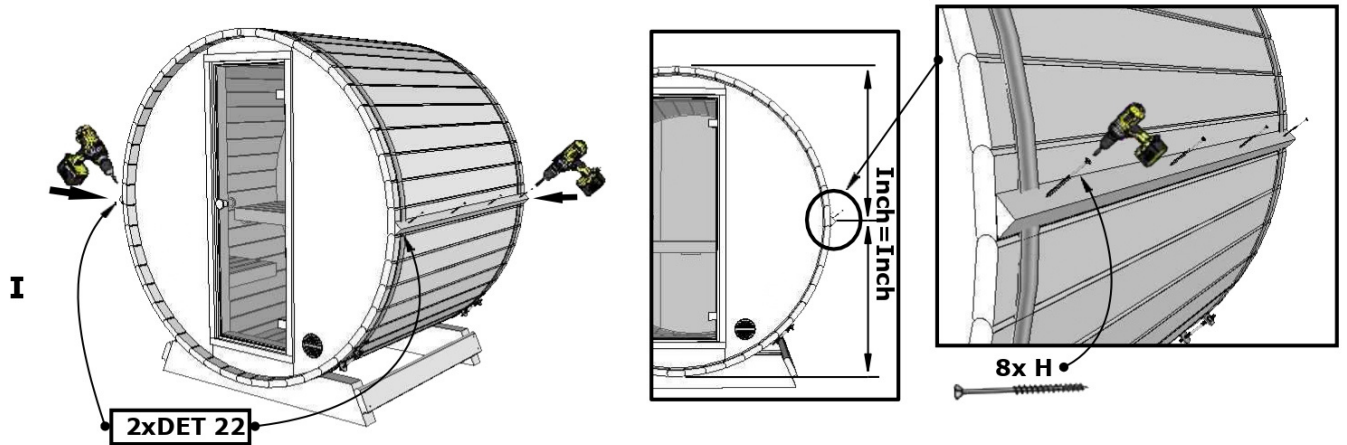
13.



Model with endboards.

II

NB! Check also shingles installation manual inside shingles packages.



I

2xDET 22

Inch = Inch

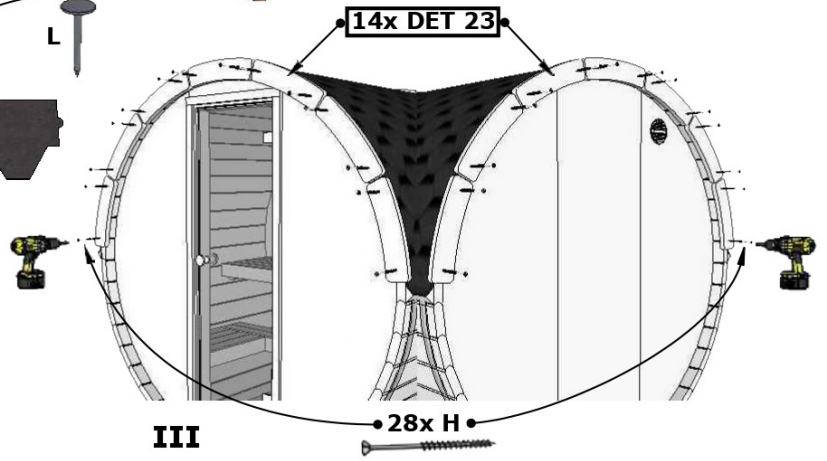
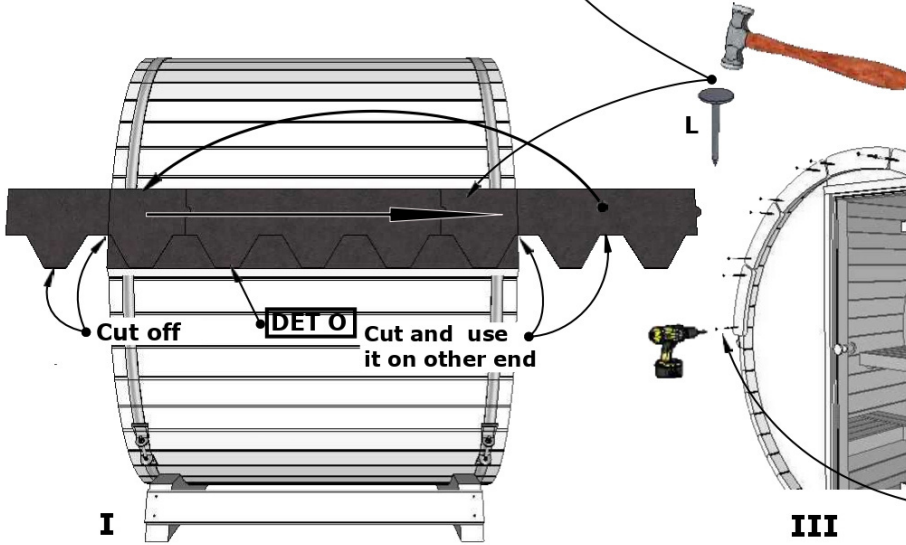
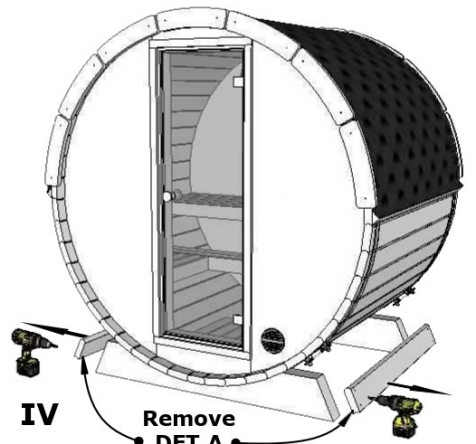
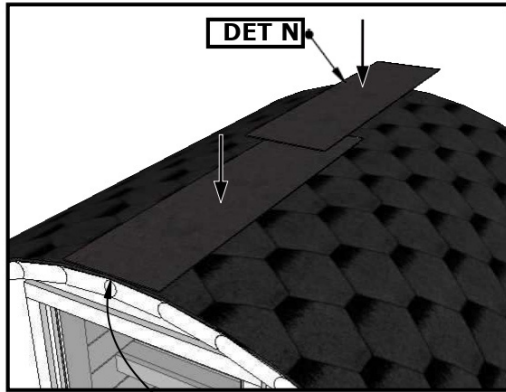
8x H

14.

Model with endboards.

NB! Check also shingles installation manual inside shingles packages.

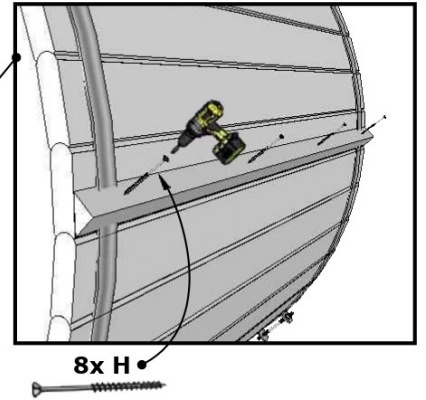
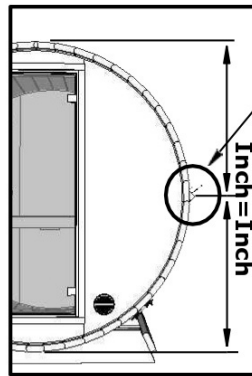
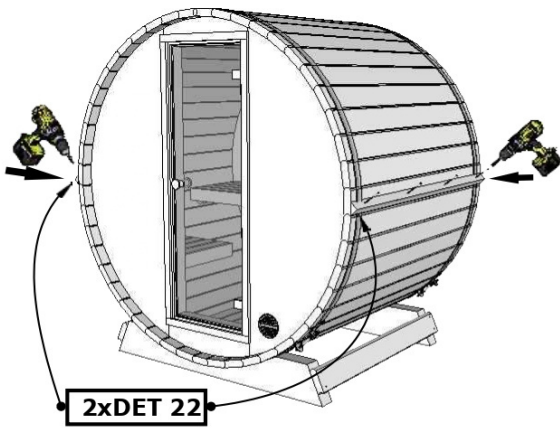
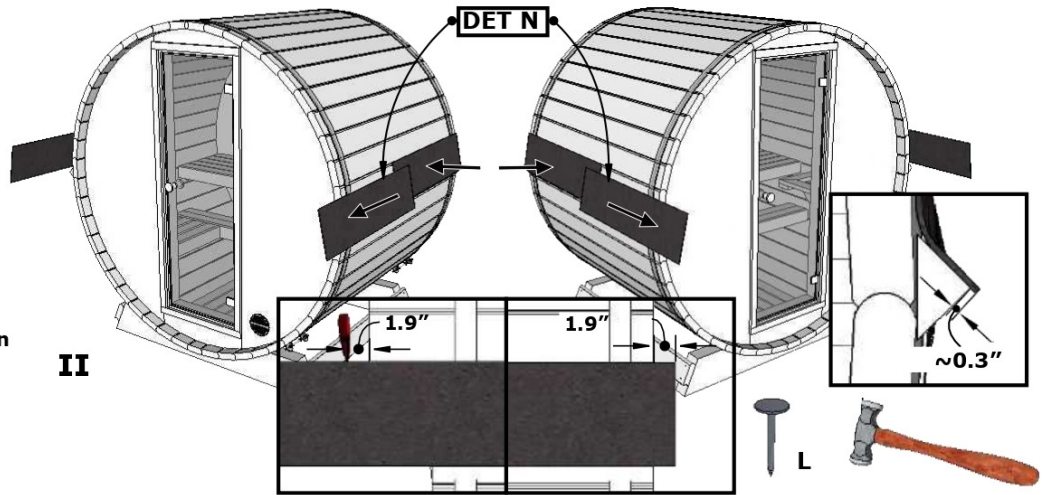
II



15.

Model without endboards.

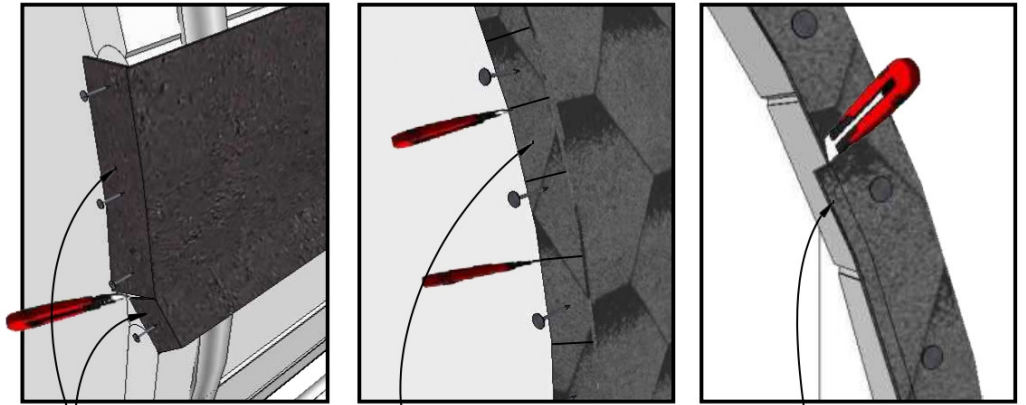
NB! Check also shingles installation manual inside shingles packages.



16.

Model without endboards.

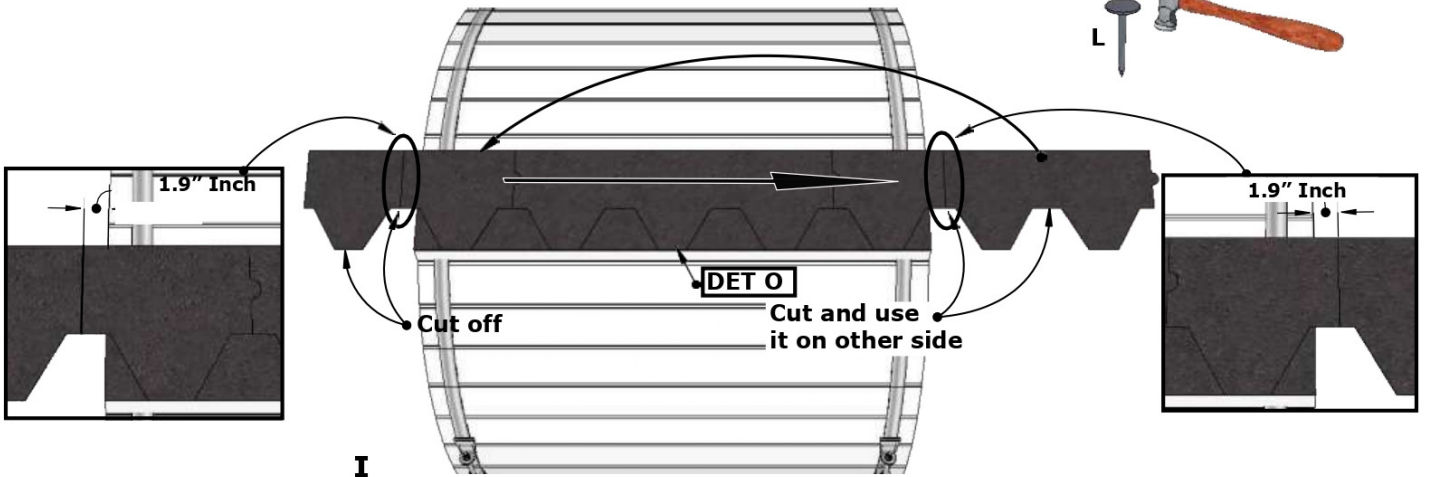
NB! Check also shingles installation manual inside shingles packages.



II Bend overlap to the edge and fix with clout nails

Bend overlap to the edge and fix with clout nails

Cut off

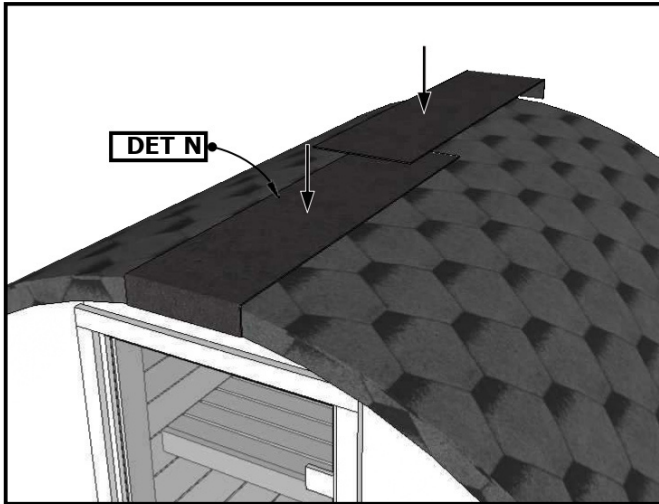


I

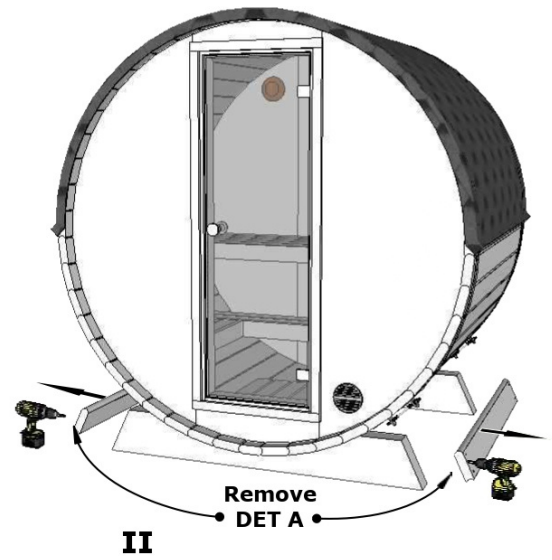
17.

Model without endboards.

NB! Check also shingles installation manual inside shingles packages.



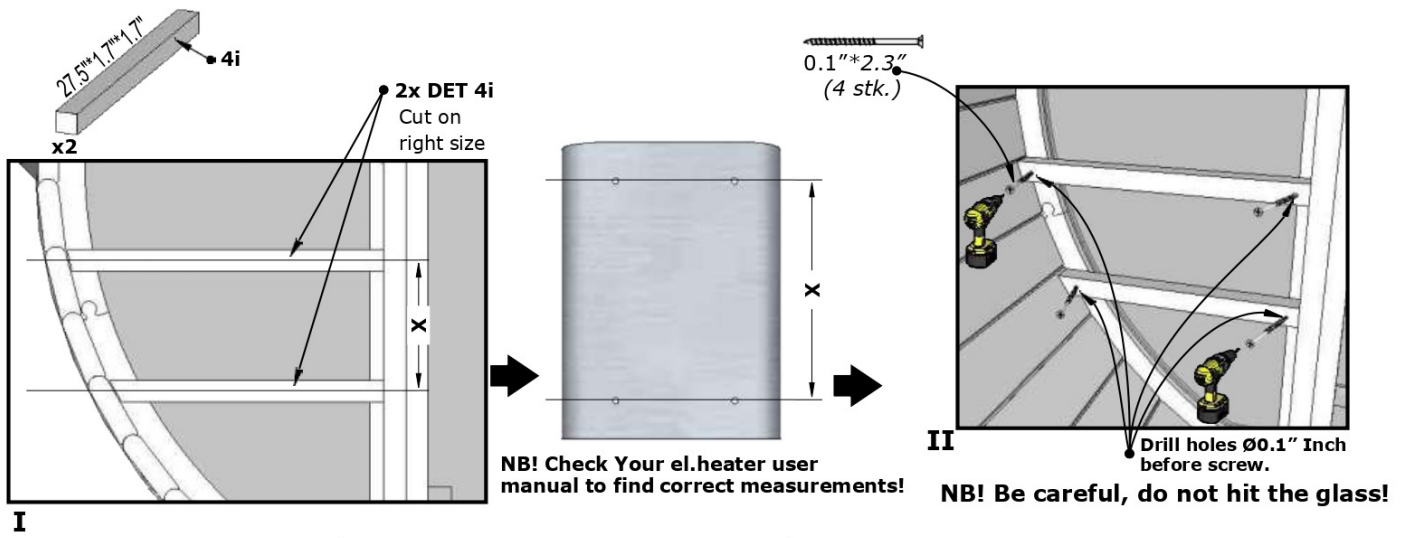
I



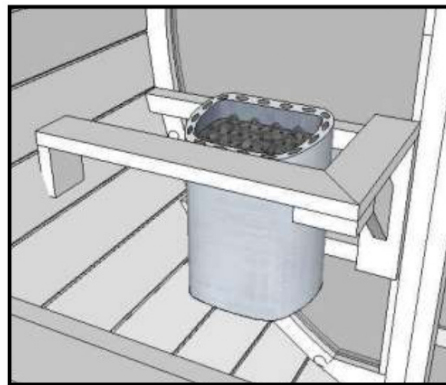
II

18.

El.heater installation



NB! Check Your el.heater user manual to install heater!



III

Proceed with main installation manual!