

SALUS SAUNAS



Nordic Barrel Sauna 3 Person Model

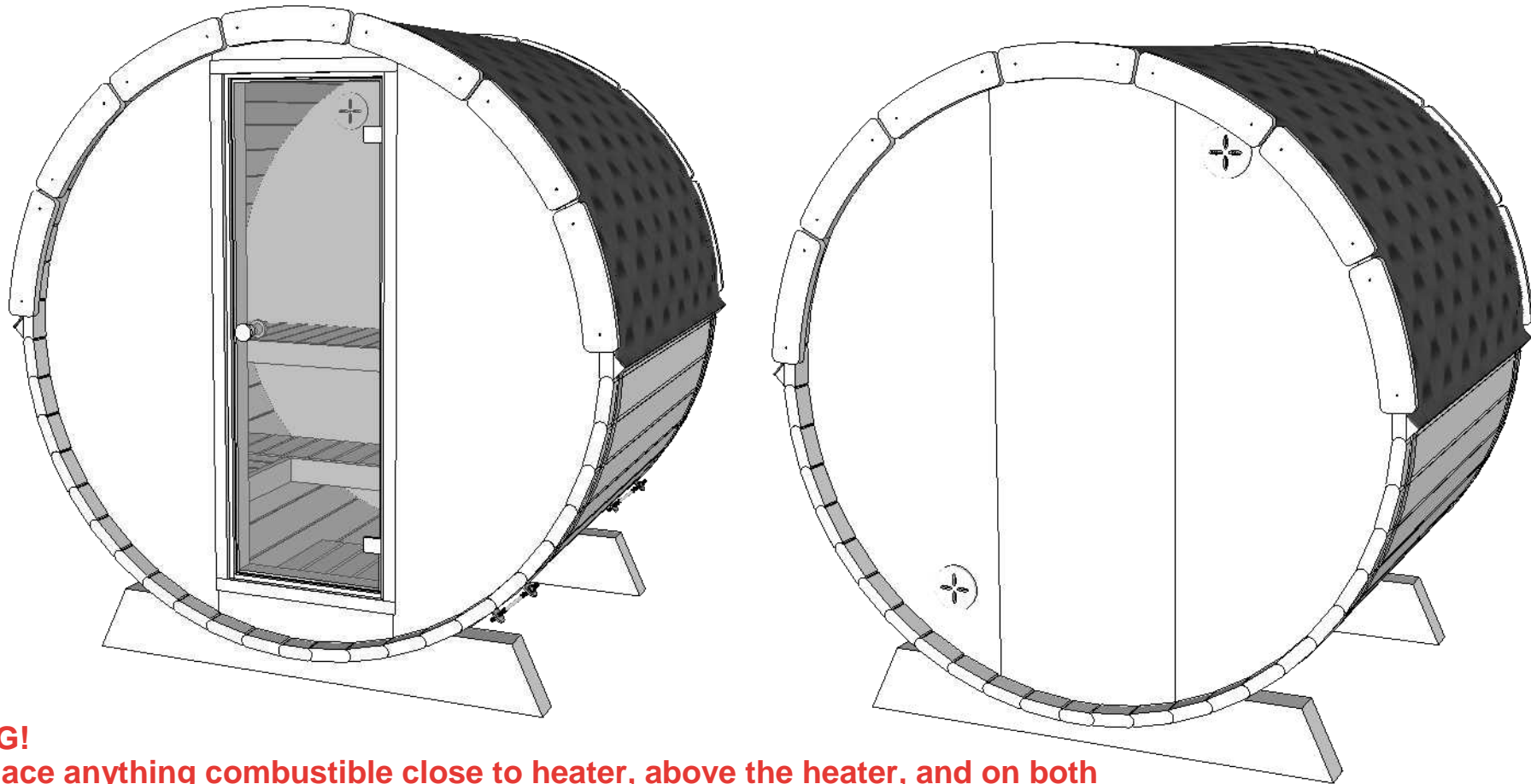
OWNER'S MANUAL

Carefully and thoroughly read this Owner's Manual before using/operating the sauna. We recommend keeping this Owner's Manual for regular review and future reference

SALUS SAUNAS

Nordic Barrel Sauna

All given measurements are in millimeters.

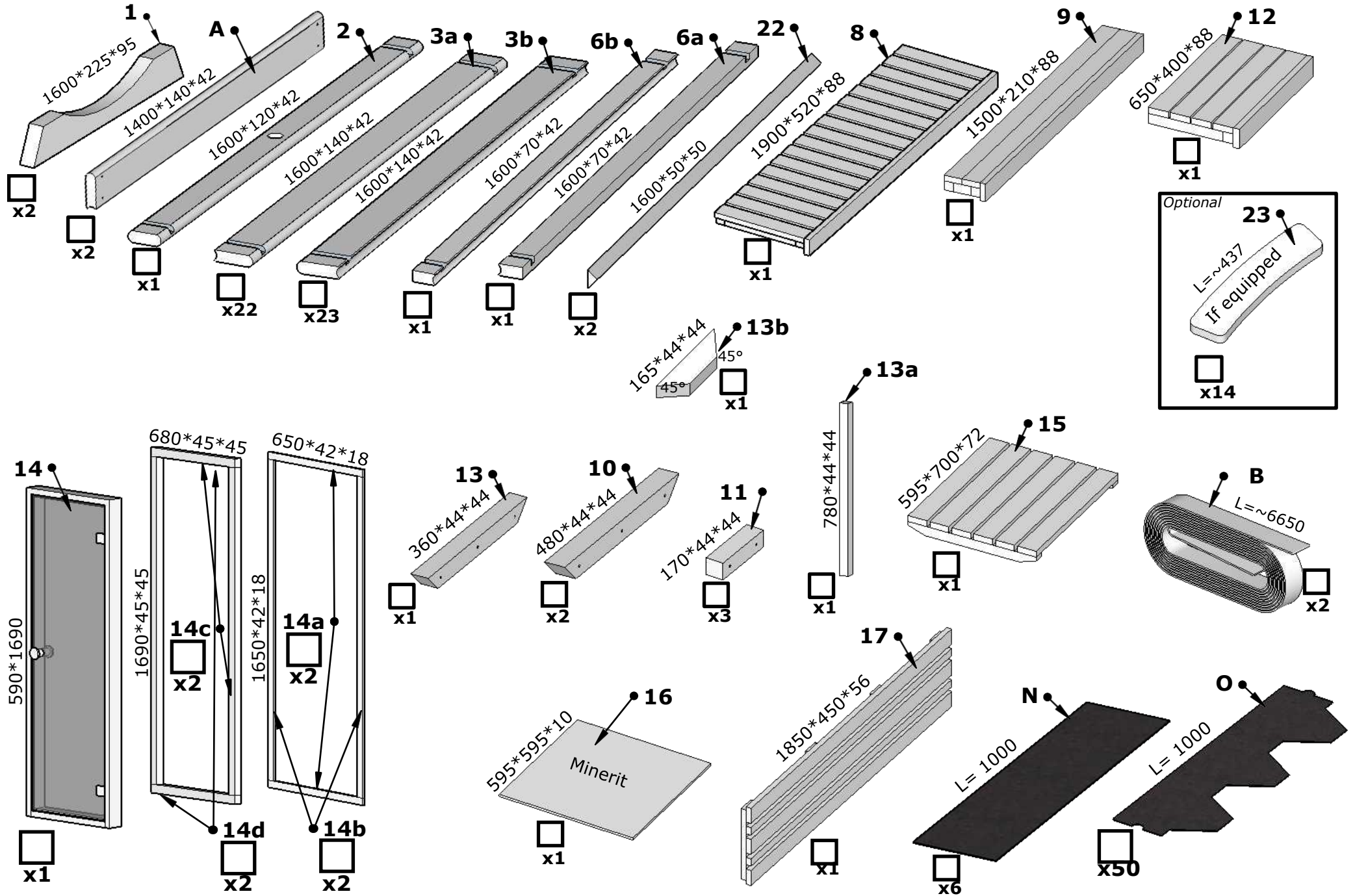


WARNING!

Do not place anything combustible close to heater, above the heater, and on both sides of the heater. This includes but not limited to towels, lights, robe hooks, accessories, etc. Nothing should be on the same wall as your heater that is combustible.

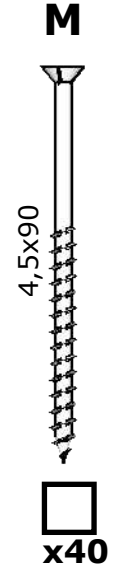
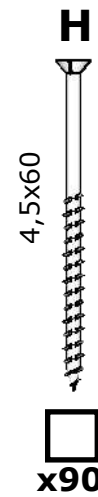
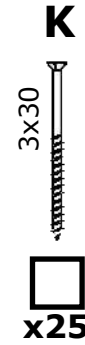
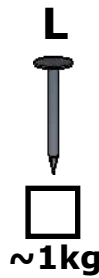
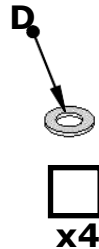
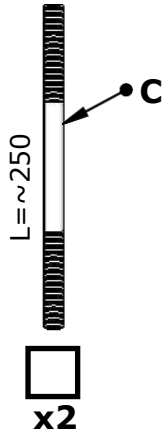
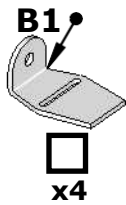
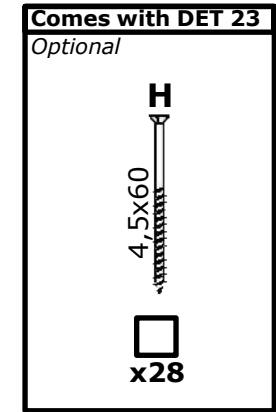
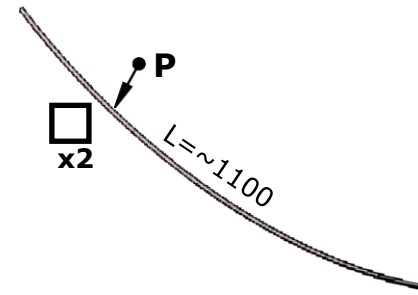
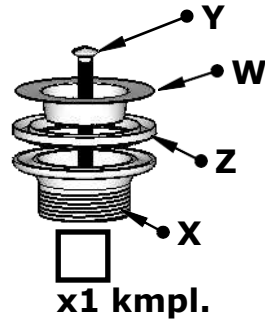
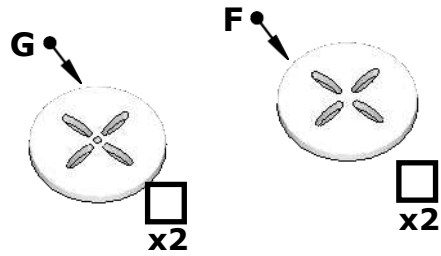
Nordic Barrel Sauna

Details list



Nordic Barrel Sauna

Details list *(In box)*

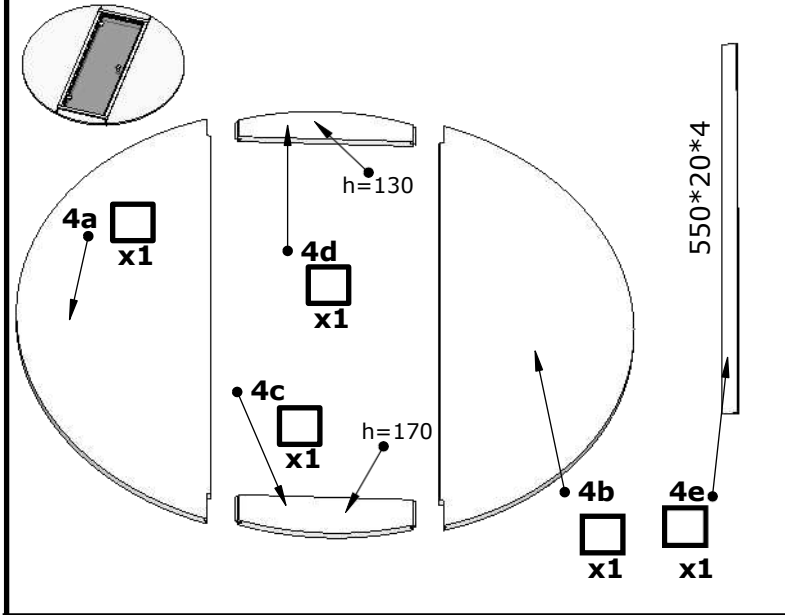


Nordic Barrel Sauna

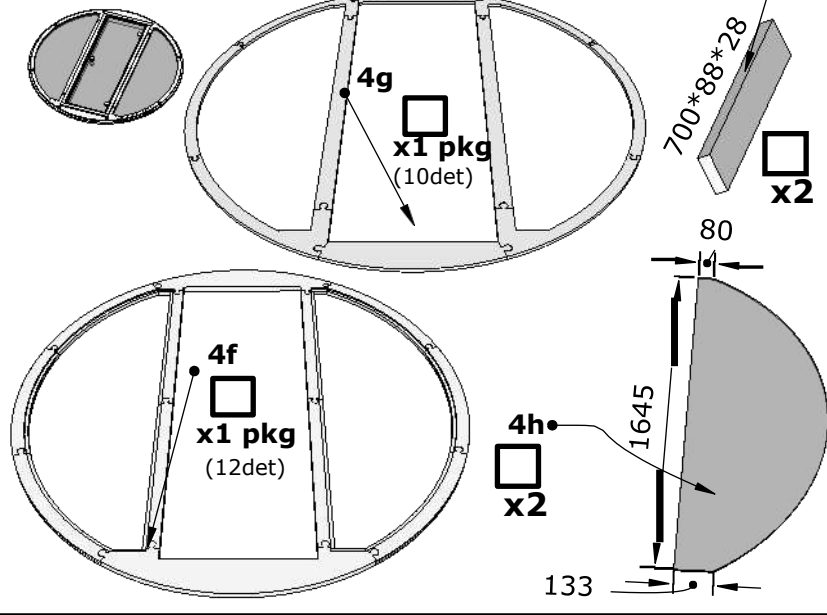
Wall options

Front wall

Wooden wall

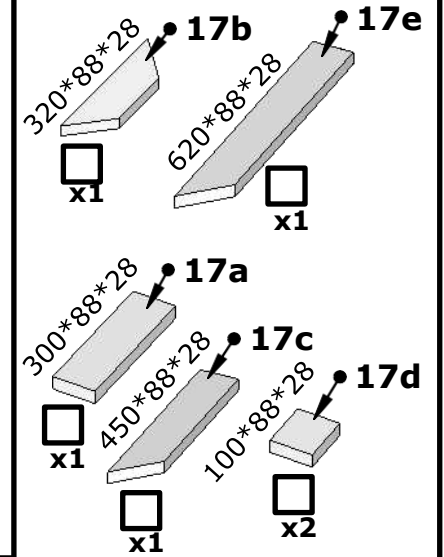


Glass wall



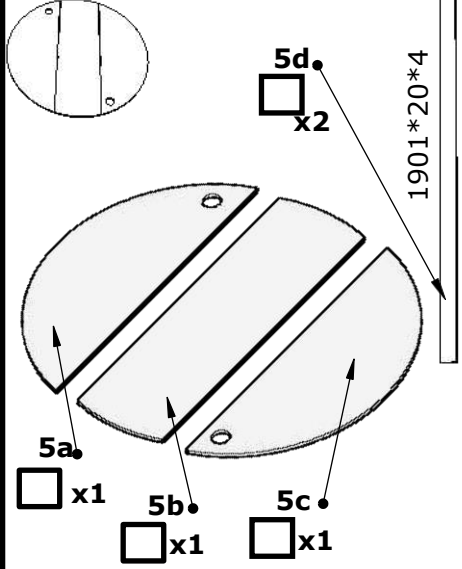
Heater guard

If Your sauna heater BC 35 or smaller.

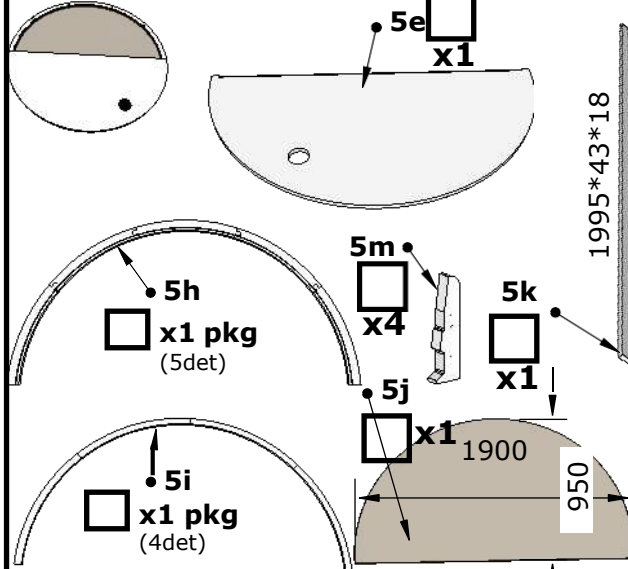


Back wall

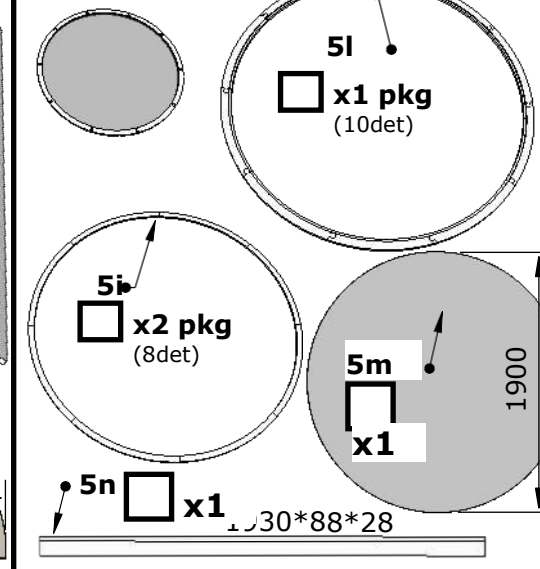
Wooden wall



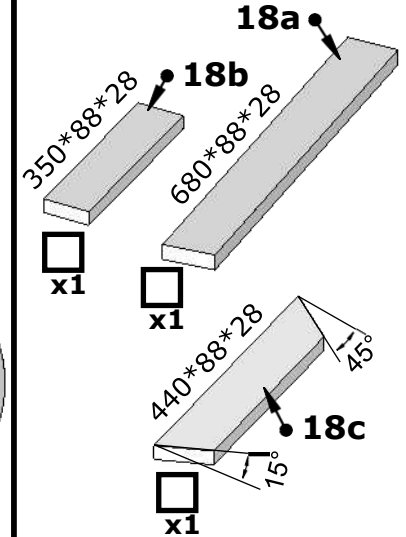
Halfmoon wall



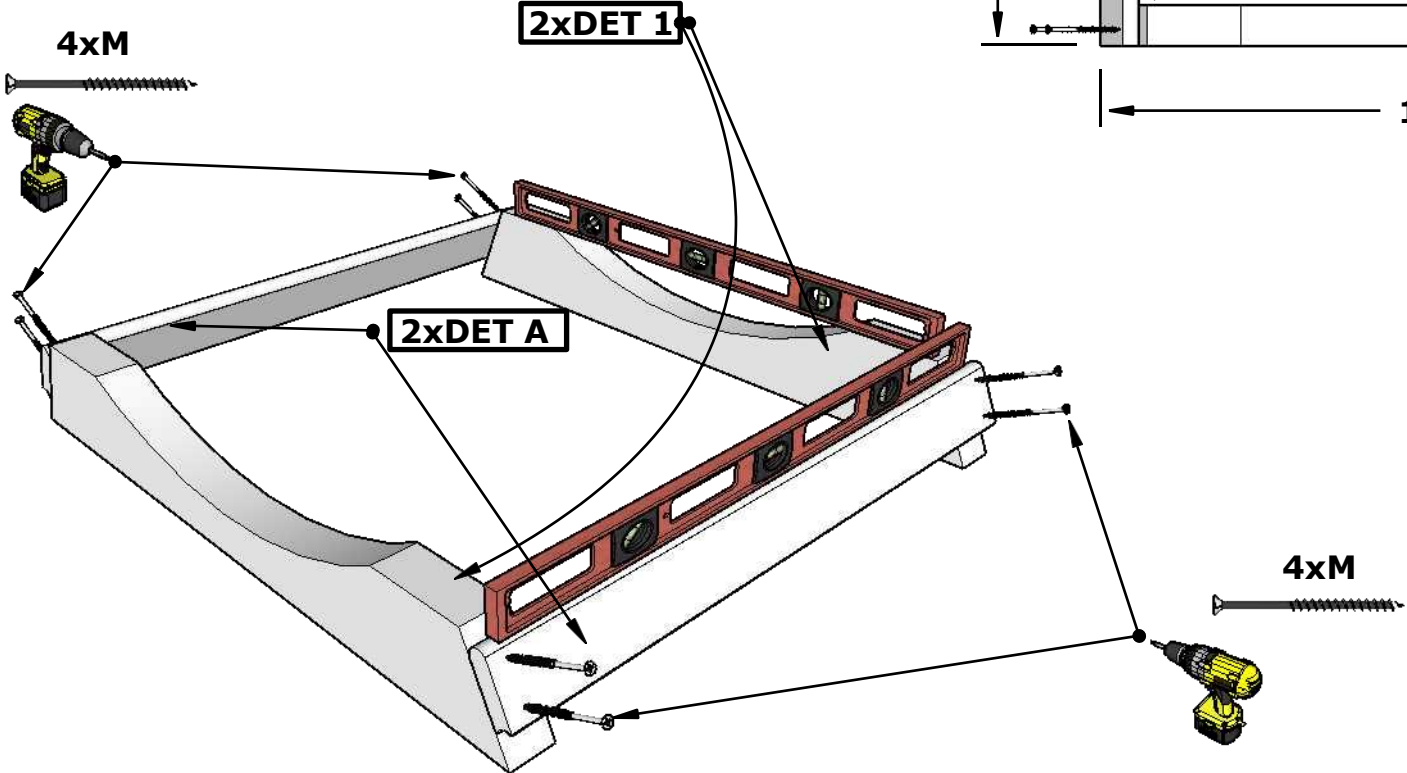
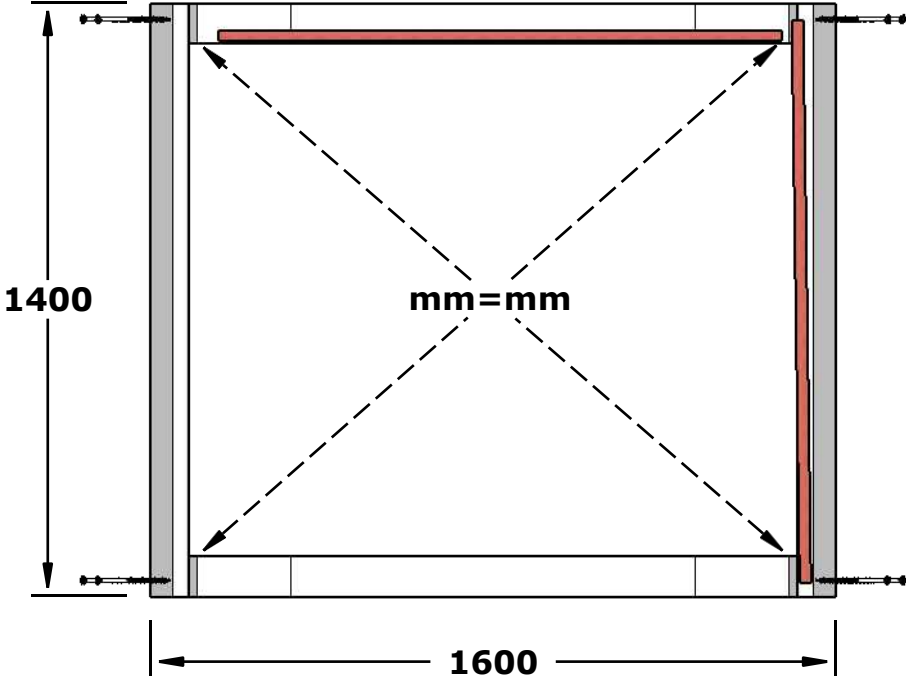
Glass wall



If Your sauna heater BC 45 or bigger.

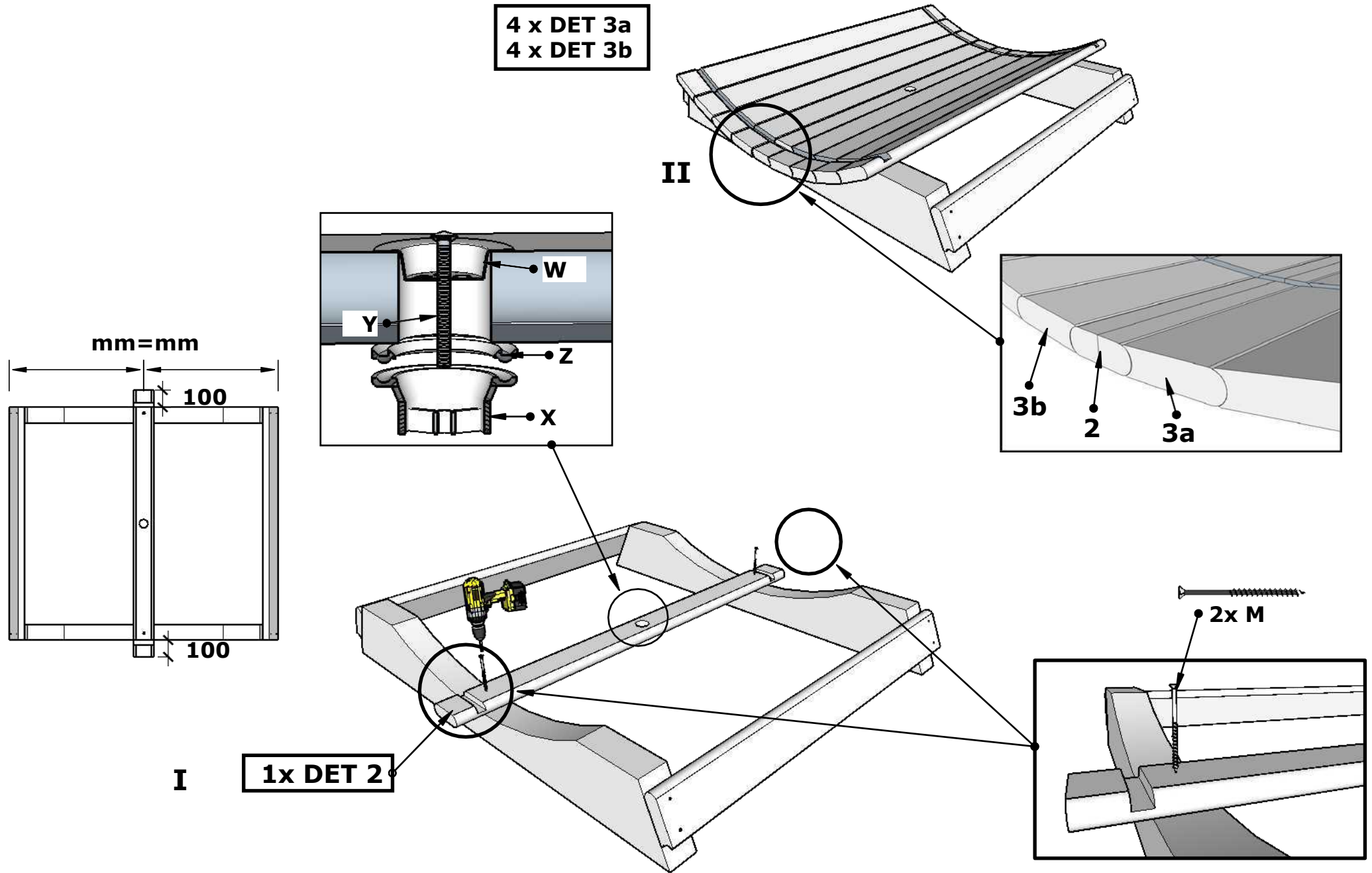


Nordic Barrel Sauna



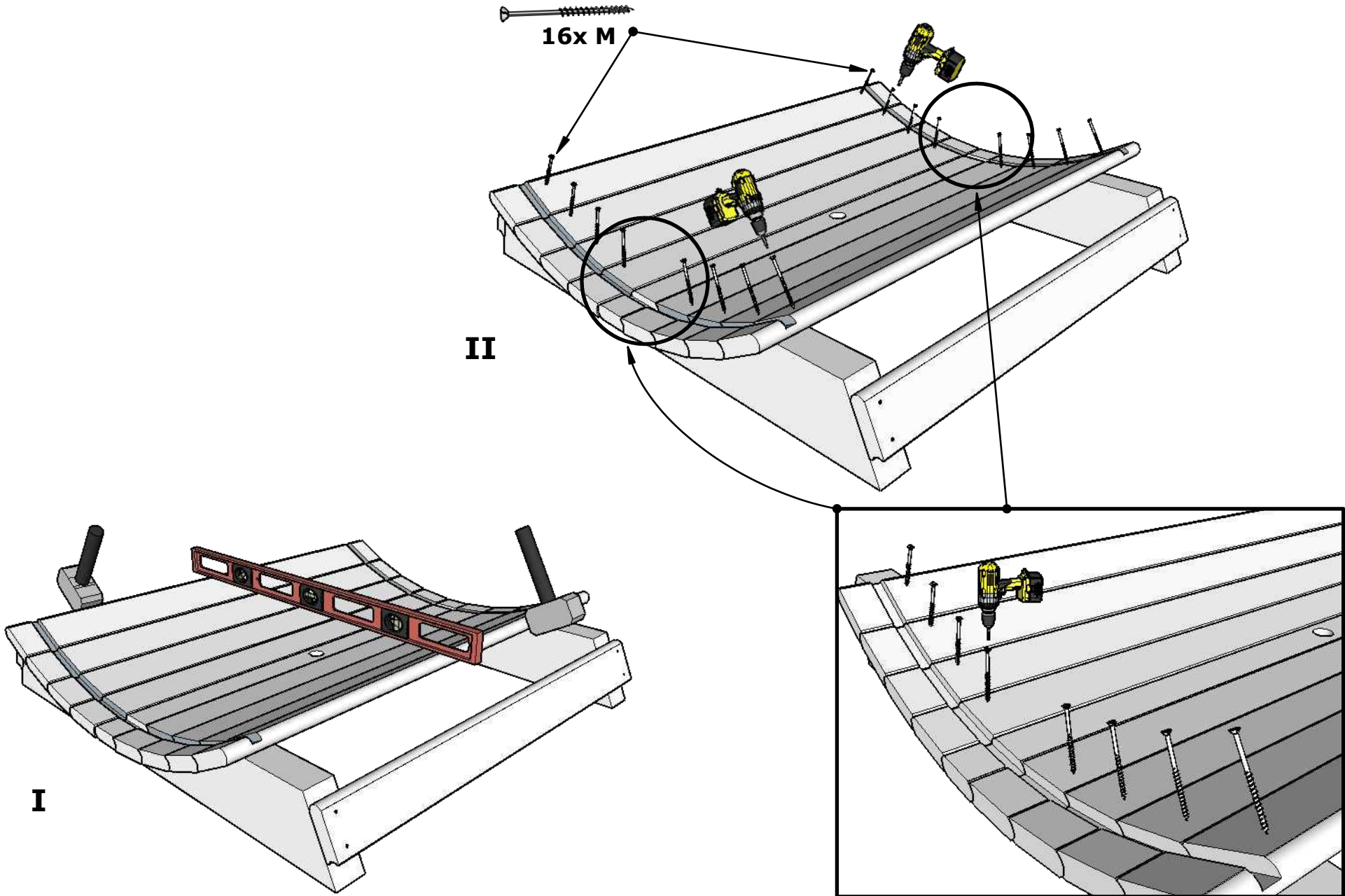
1.

Nordic Barrel Sauna

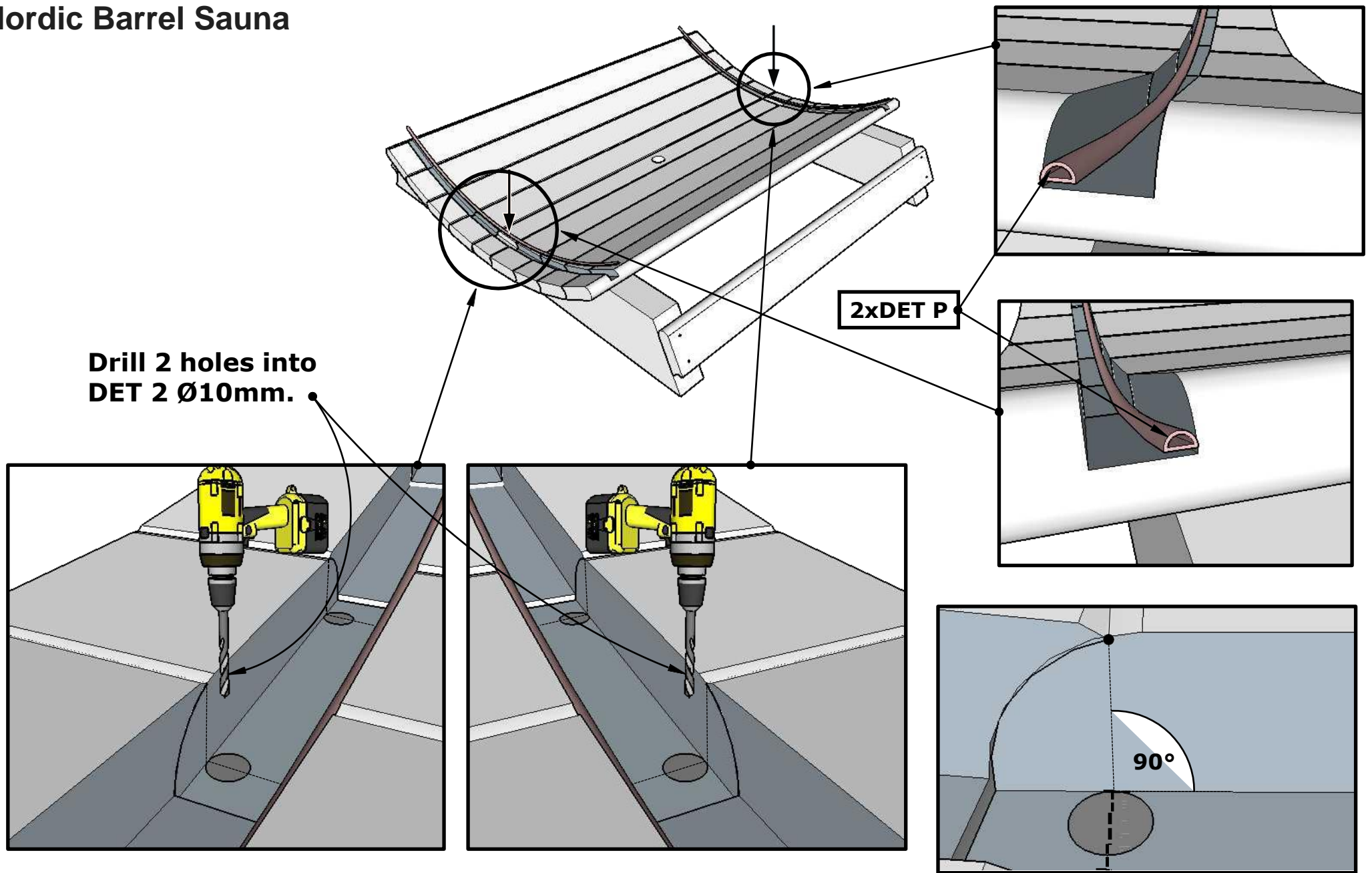


2.

Norway Barrel Sauna



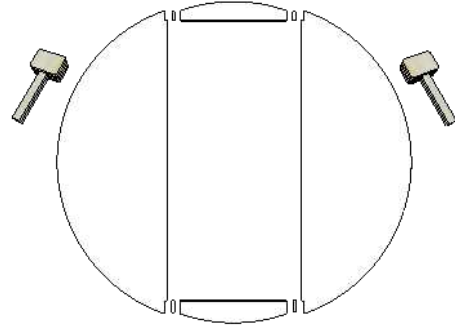
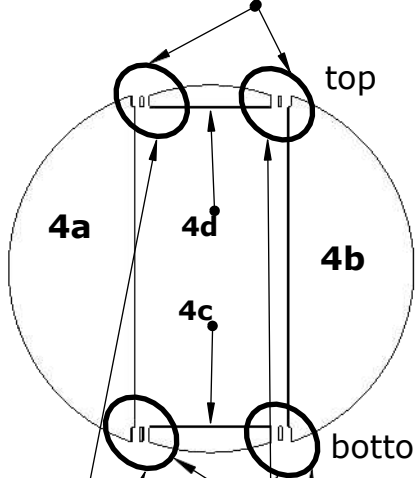
Nordic Barrel Sauna



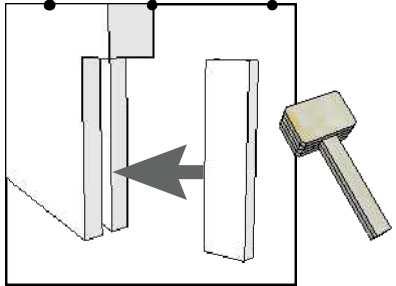
3a.

Nordic Barrel Sauna

cut 2 pieces from detail 4e to length 75mm.



cut 2 pieces from detail 4e to length 115mm.



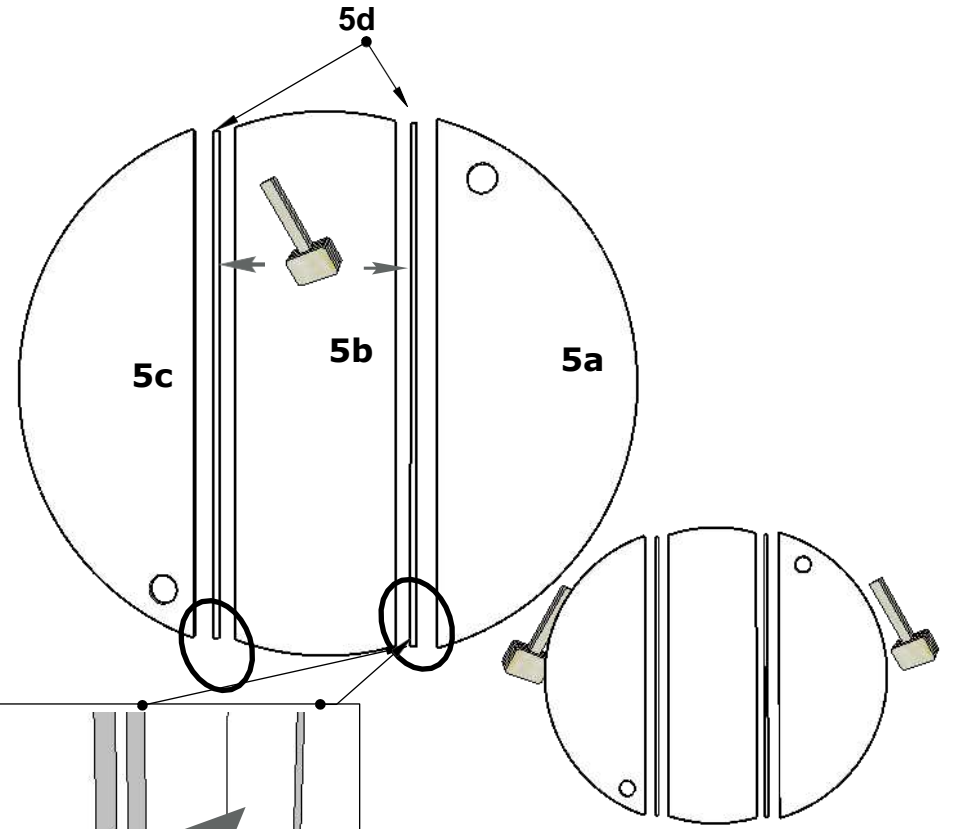
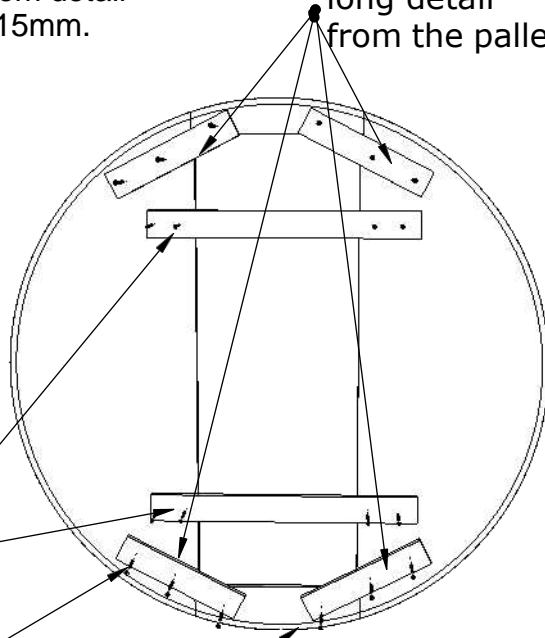
cut a 1000mm long detail from the pallet

20 X DET J



at least 25 mm from the outer edge

cut a 500mm long detail from the pallet



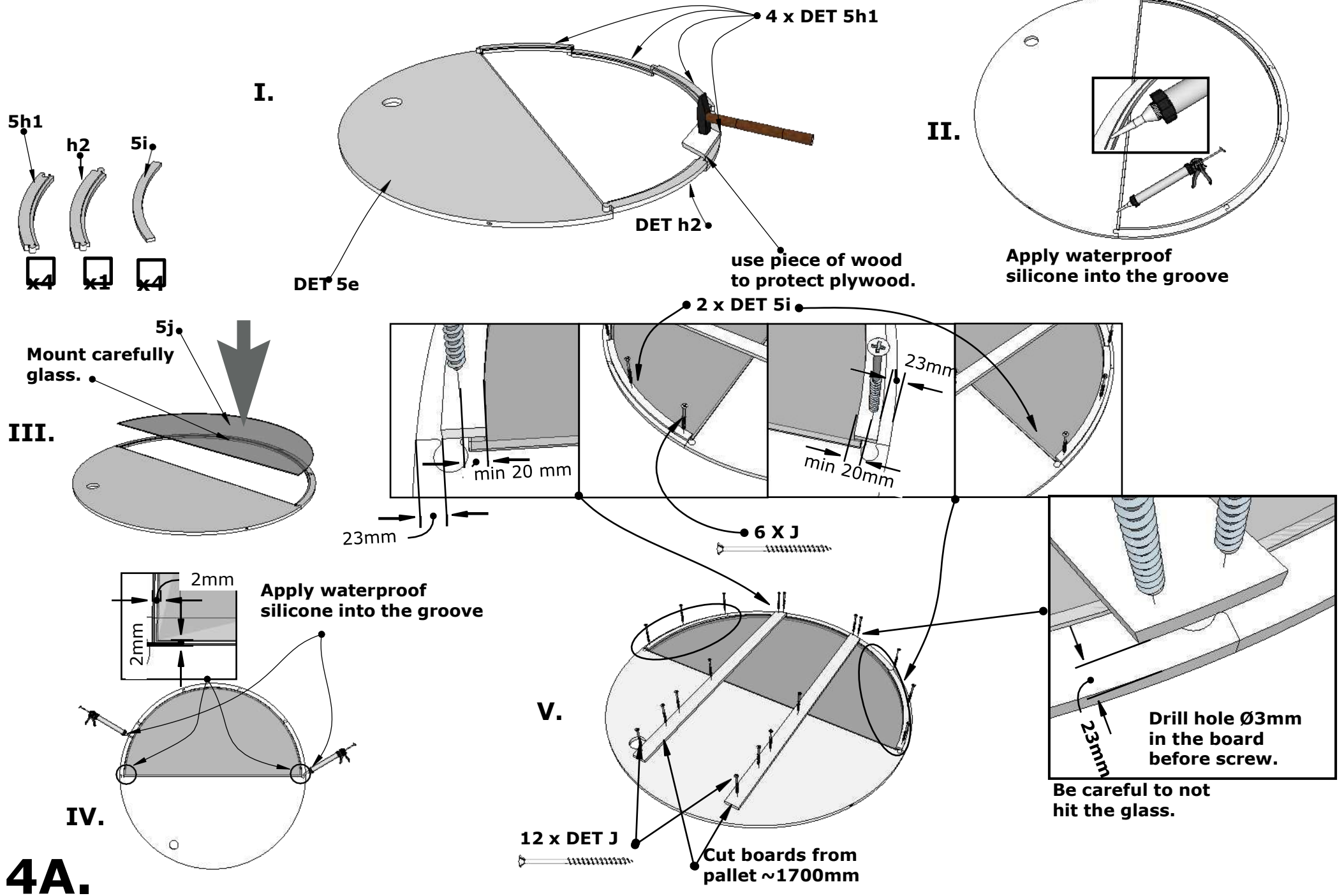
cut a 1000mm long detail from the pallet

12 X DET J



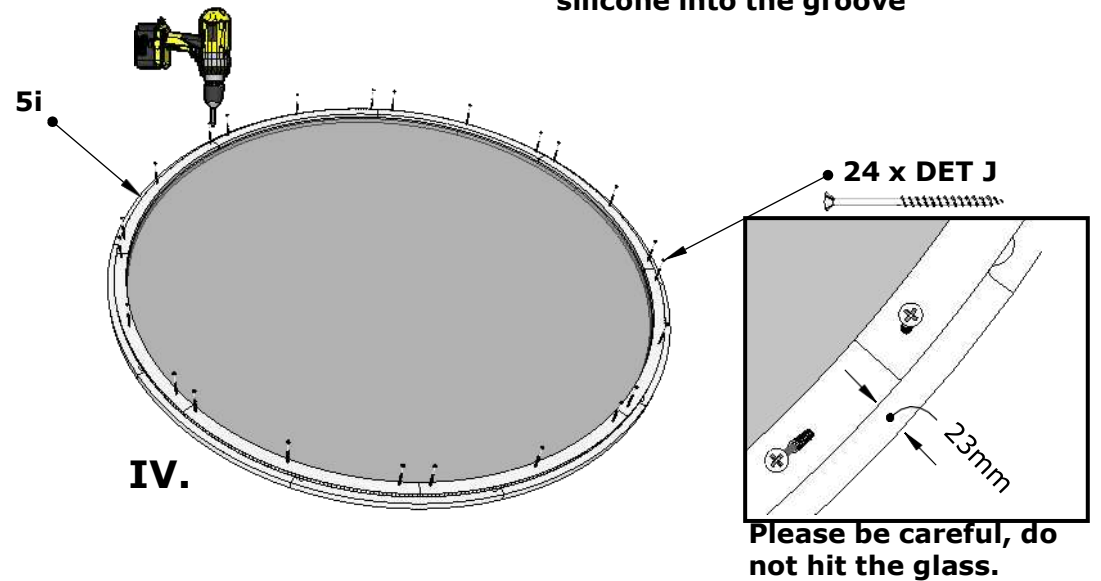
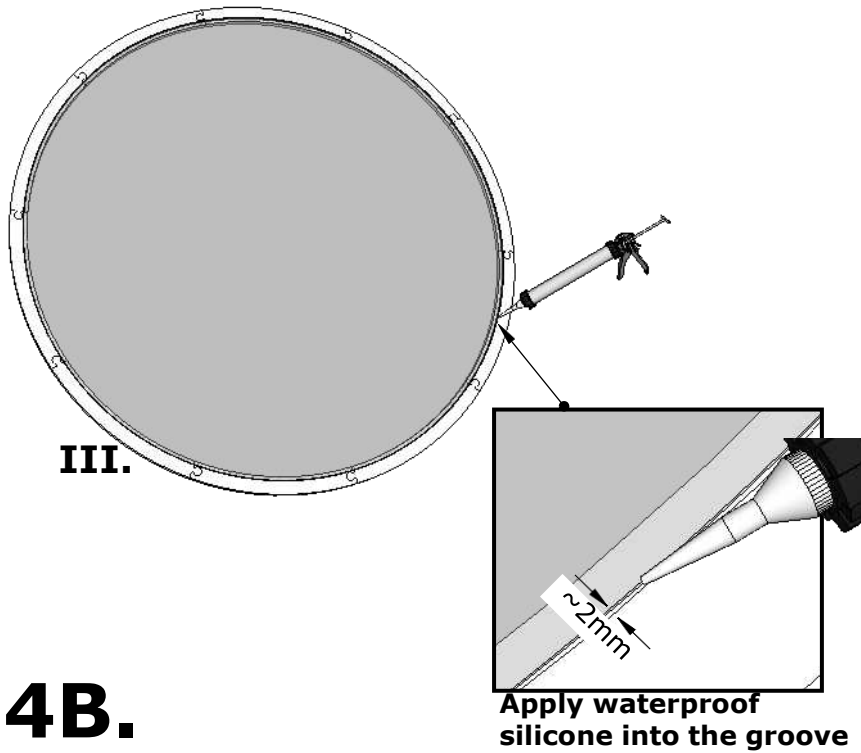
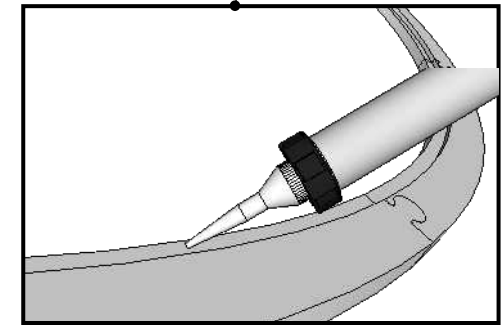
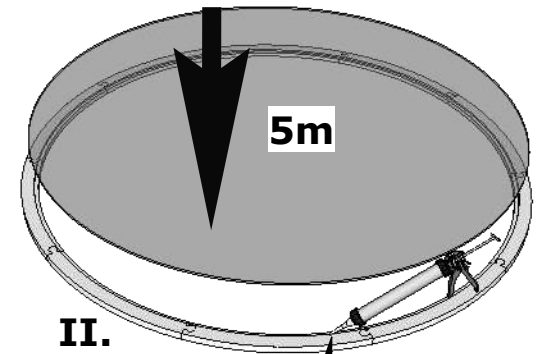
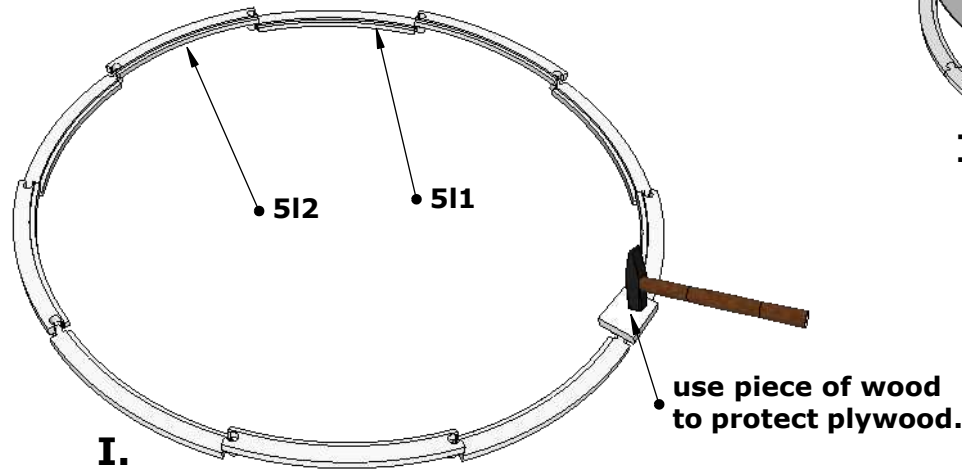
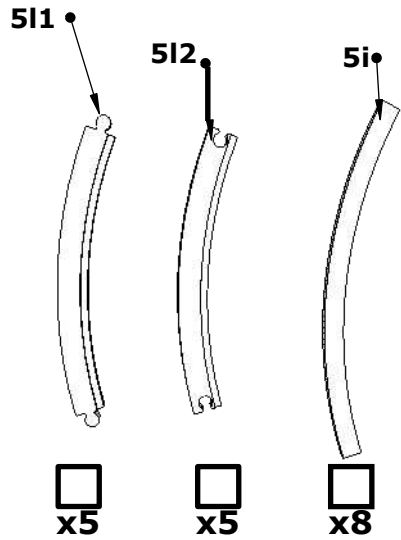
4.

Nordic Barrel Sauna Half-Moon



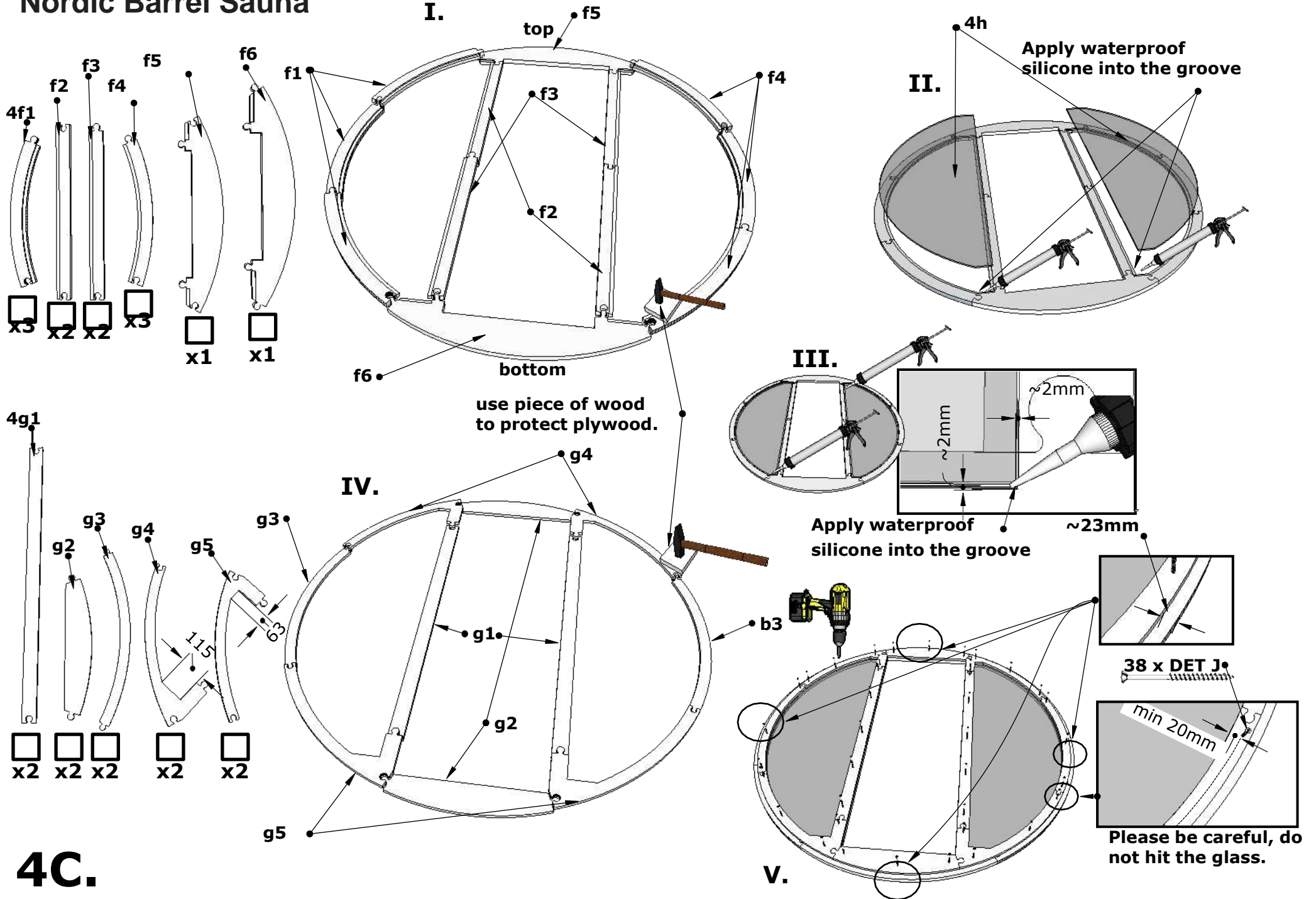
4A.

Nordic Barrel Full Moon

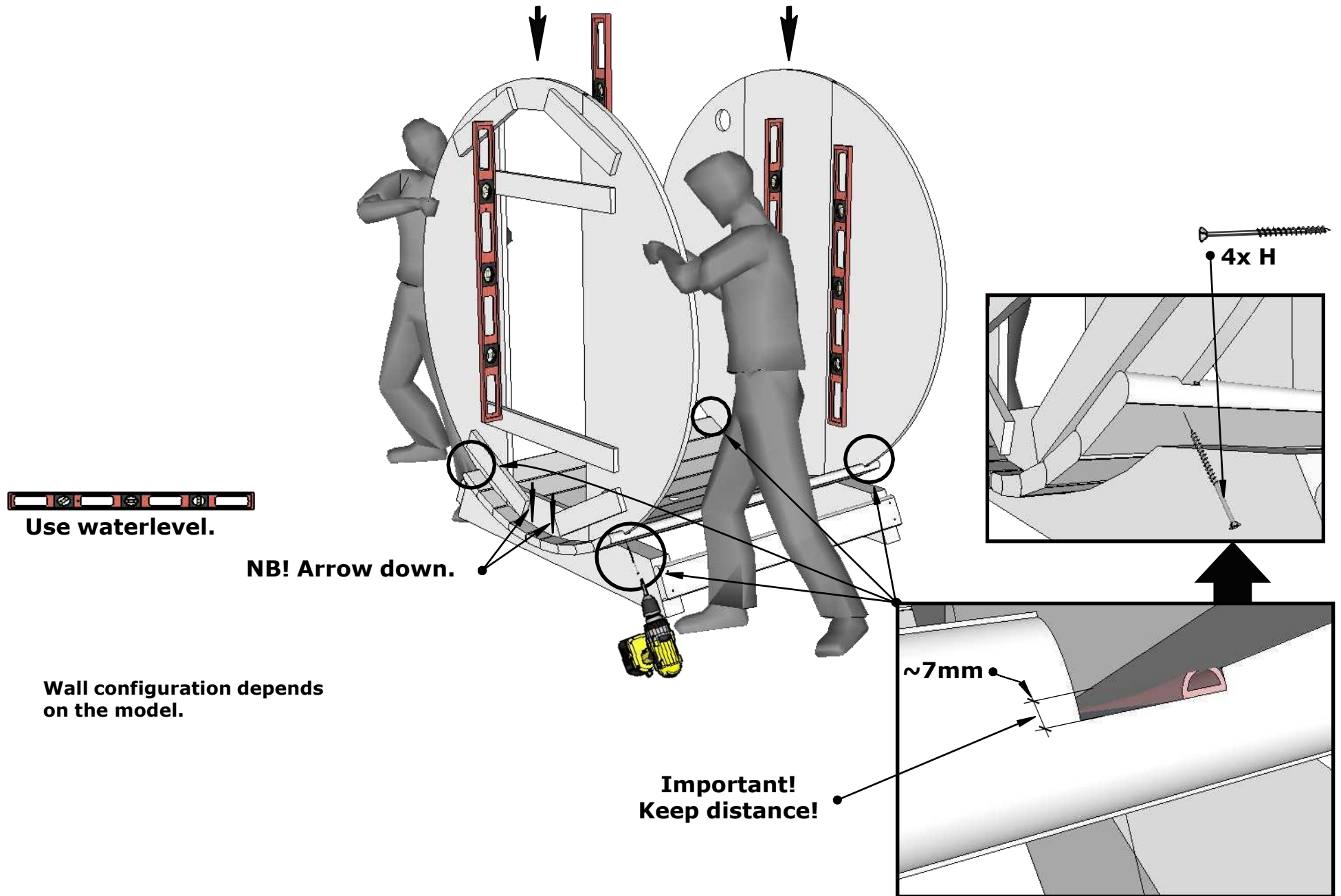


4B.

Nordic Barrel Sauna

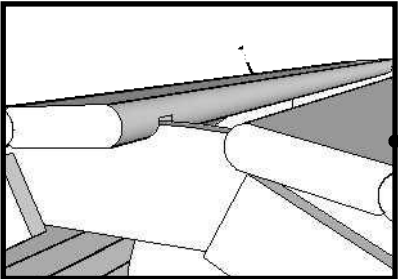


Nordic Barrel Sauna

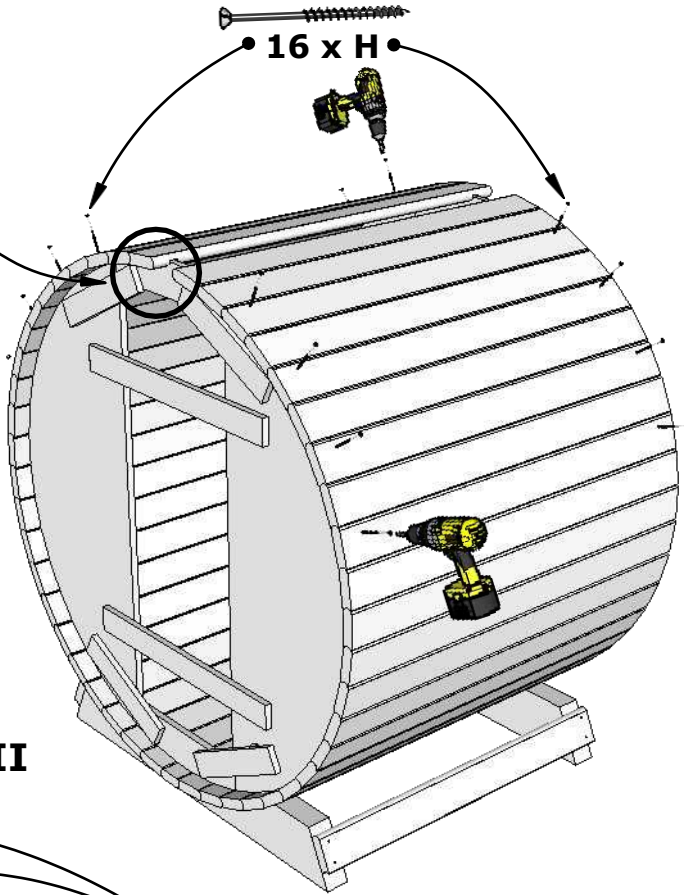


Nordic Barrel Sauna

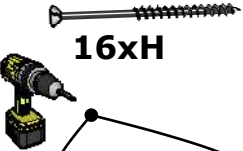
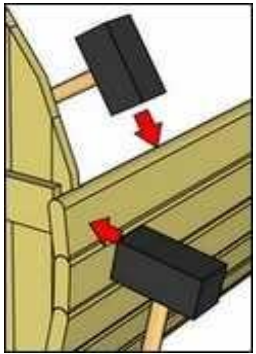
Check page 6A



10x DET 3a
11x DET 3b

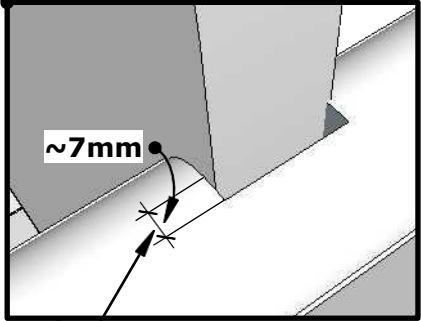


II



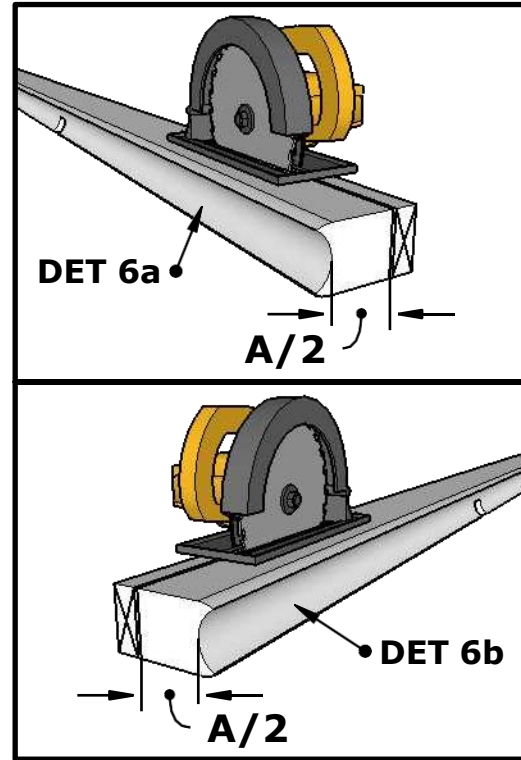
8x DET 3a
8x DET 3b

I

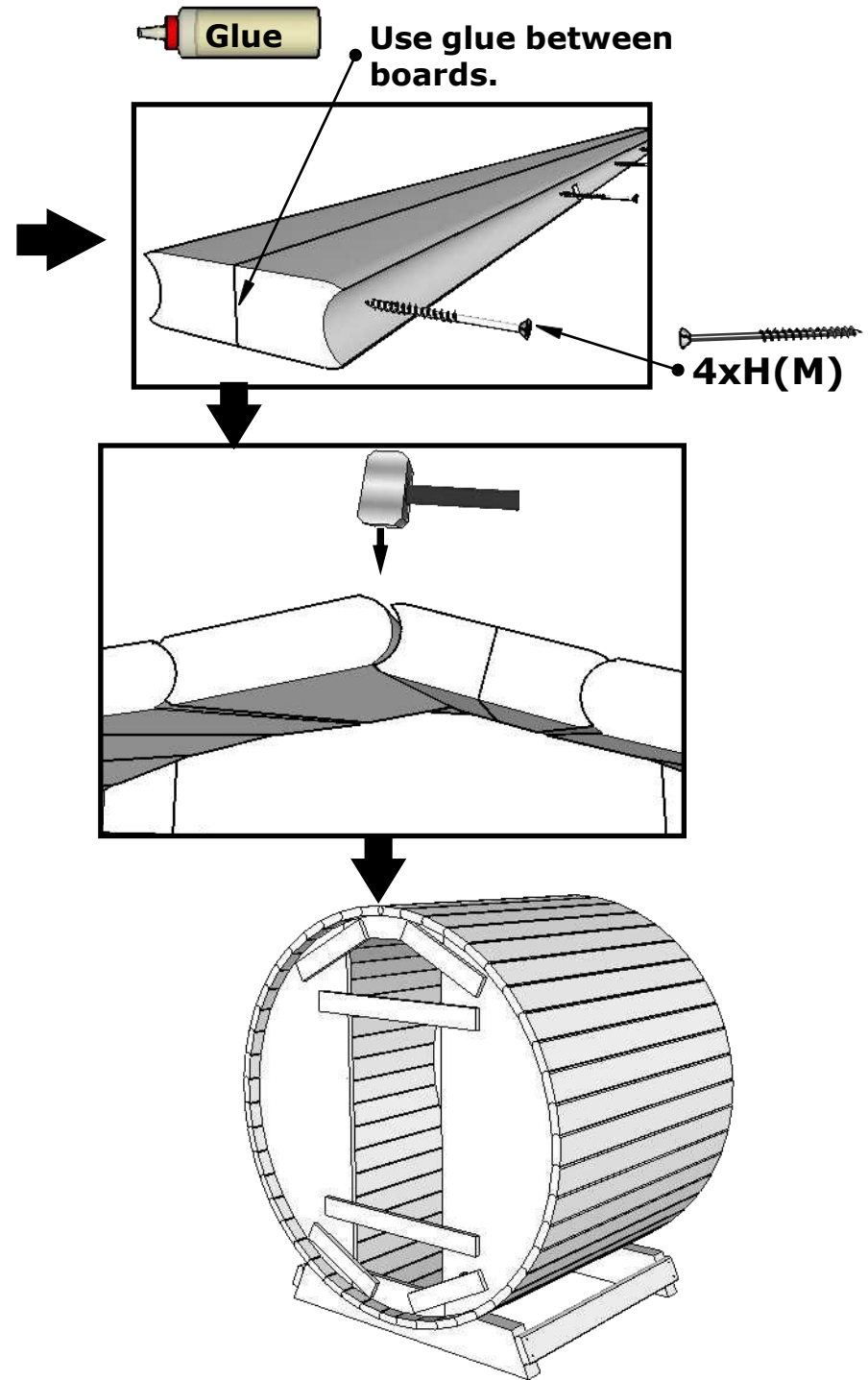
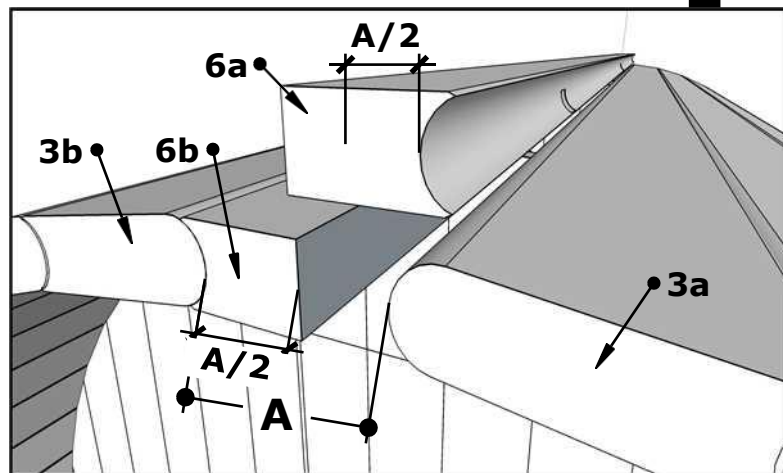


Important!
Keep distance!

Nordic Barrel Sauna

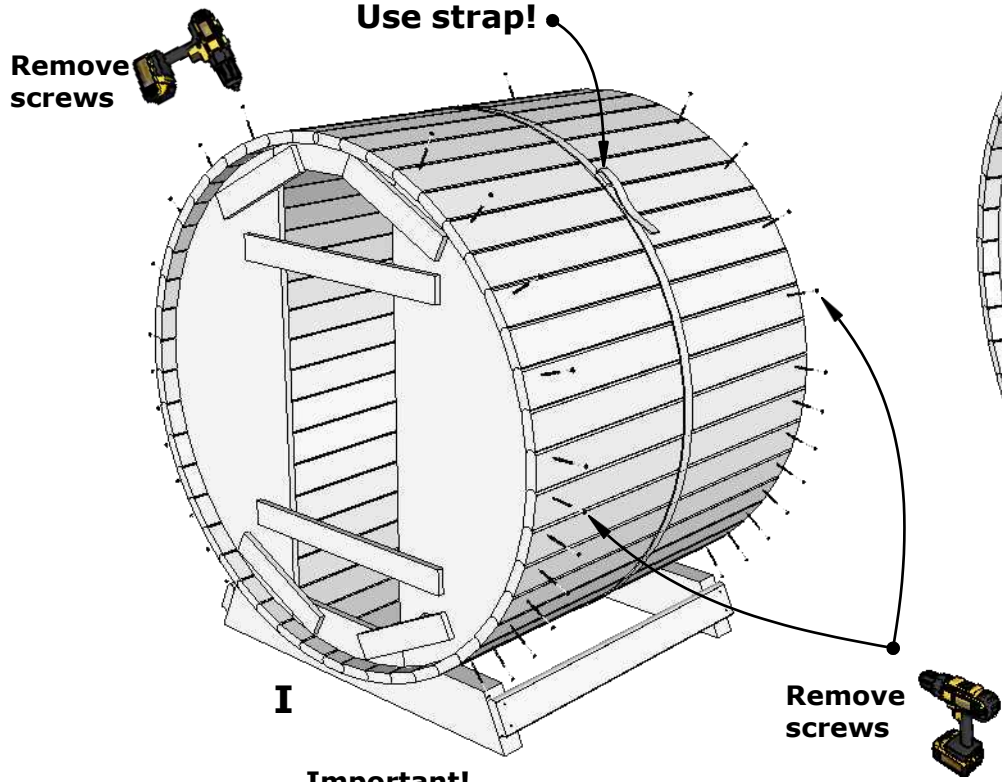


Important !!!

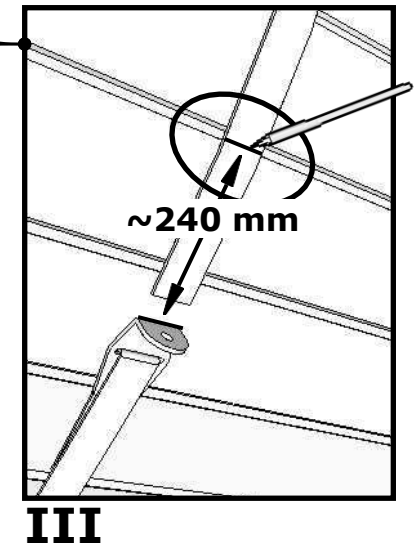
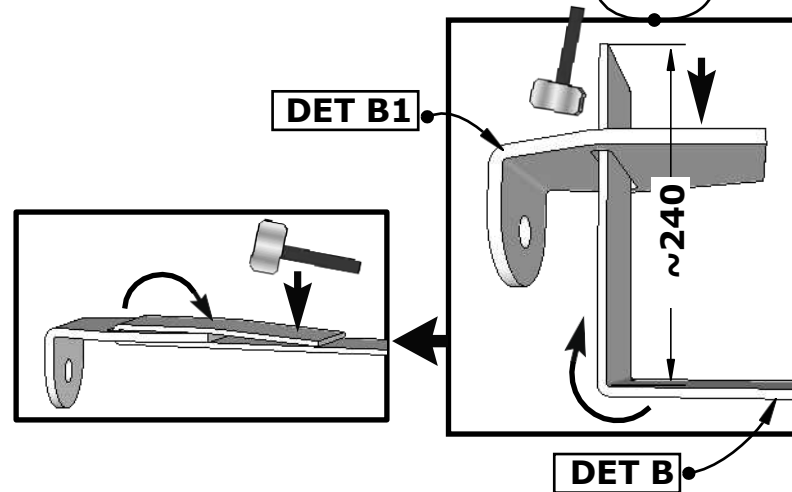
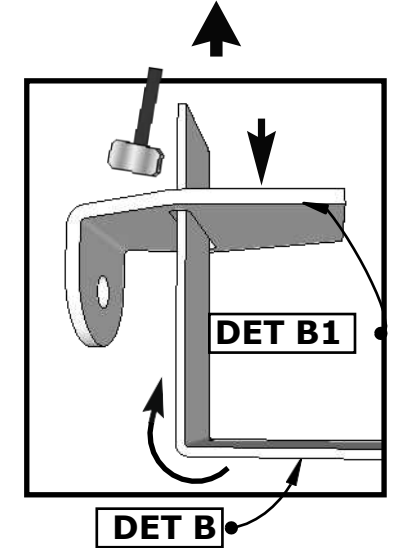
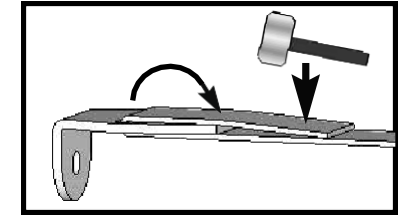
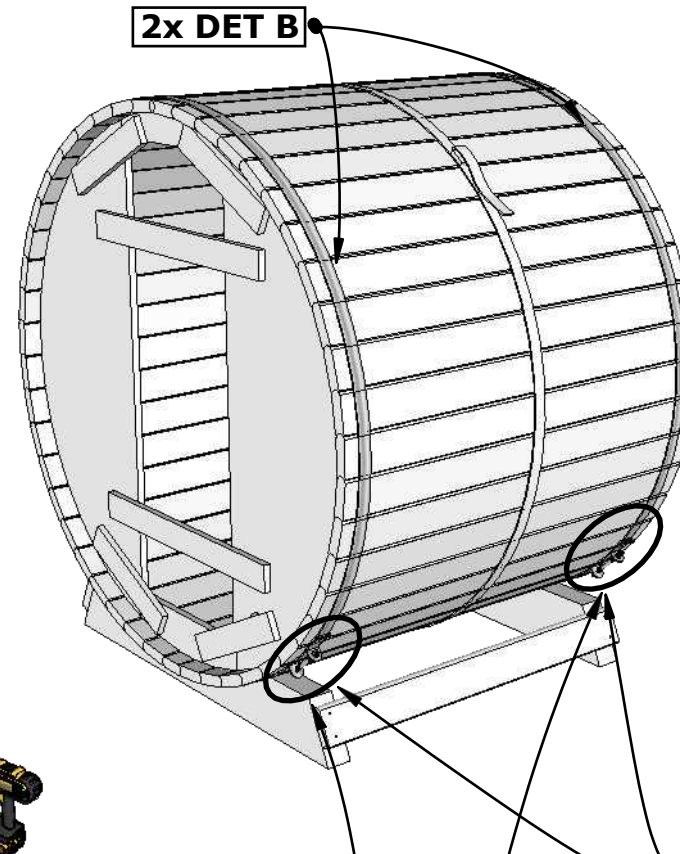


6a.

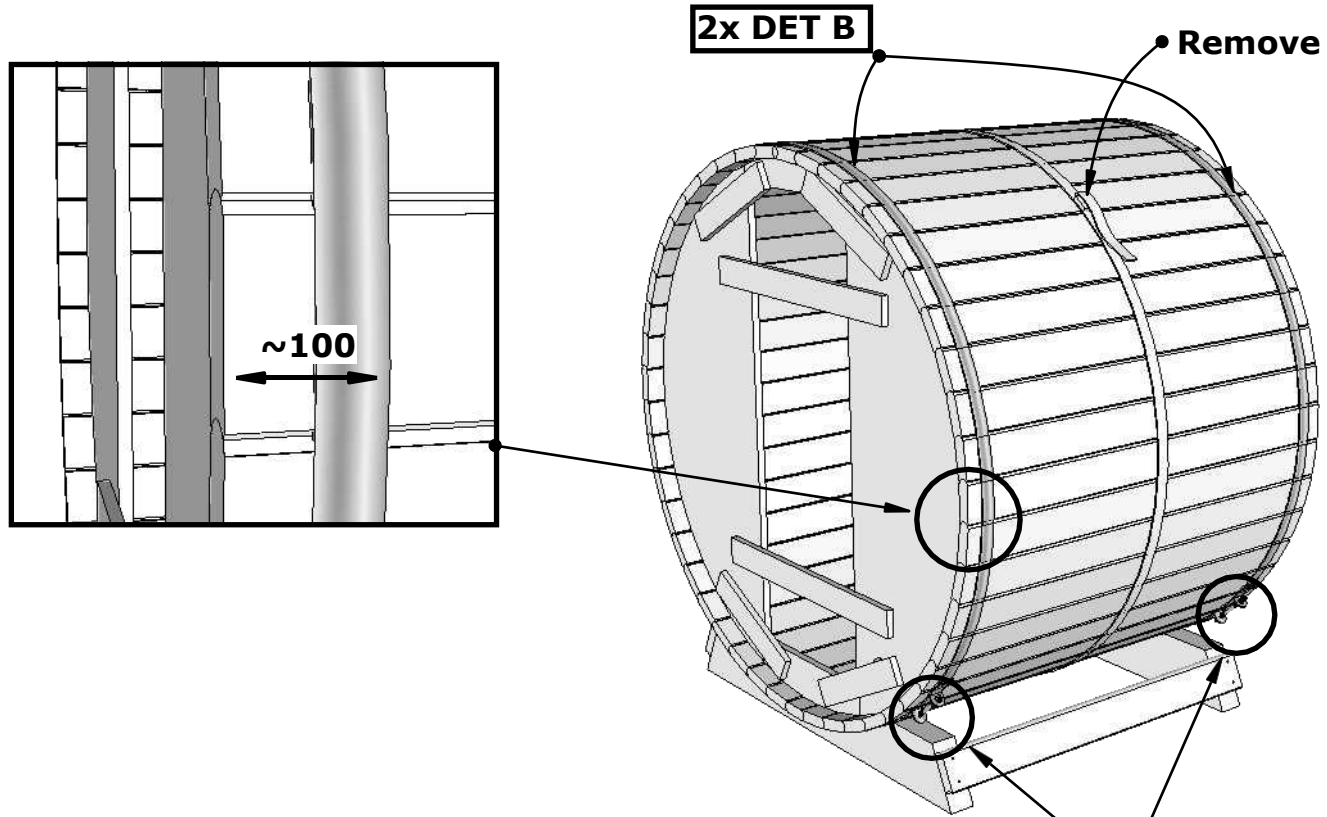
Nordic Barrel Sauna



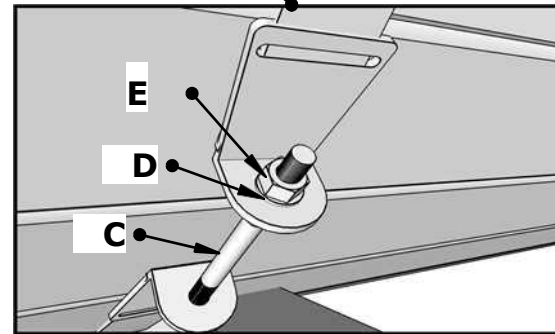
Important!
Remove screws and use them
on further sauna installation!



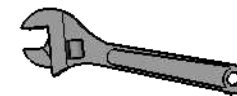
Nordic Barrel Sauna



Important!
Remove screws and use them
on further sauna installation!



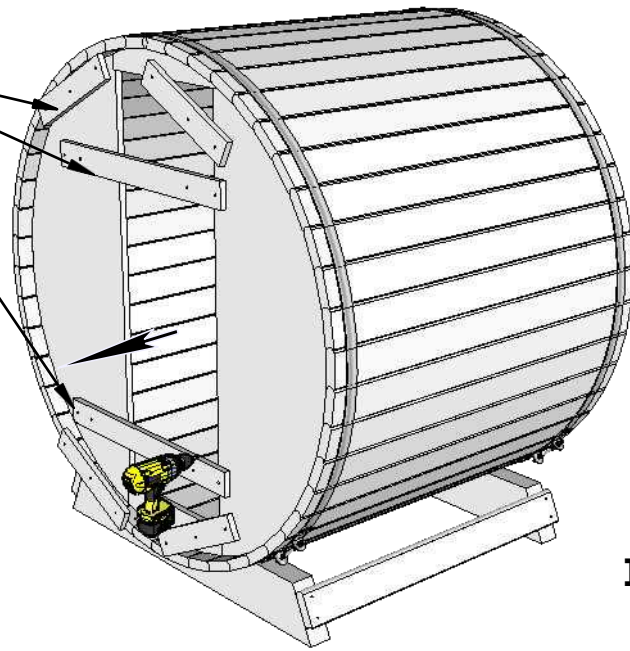
During assembly and retightening
the threaded rods, use oil
(Würth HPS 1400 or similar)
to avoid "cold welding" and it is
also easier tightening.



Nordic Barrel Sauna

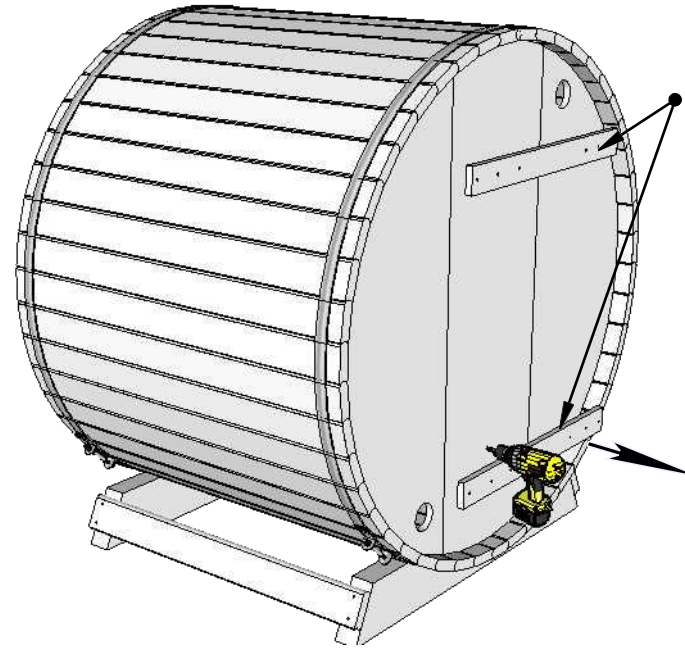
Remove all brackets.

Remove screws and use them on further installation.



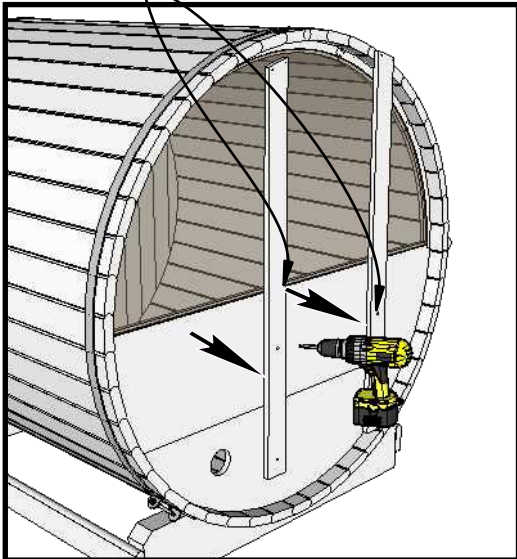
I

Remove all brackets.



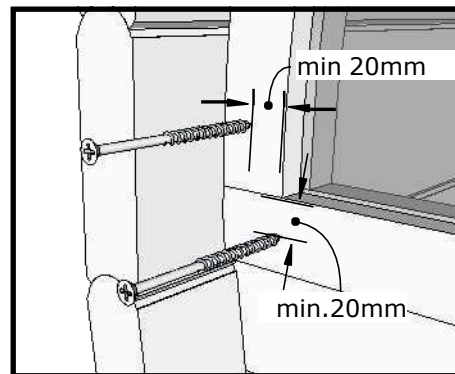
Half-moon glass wall mounting

Remove



I

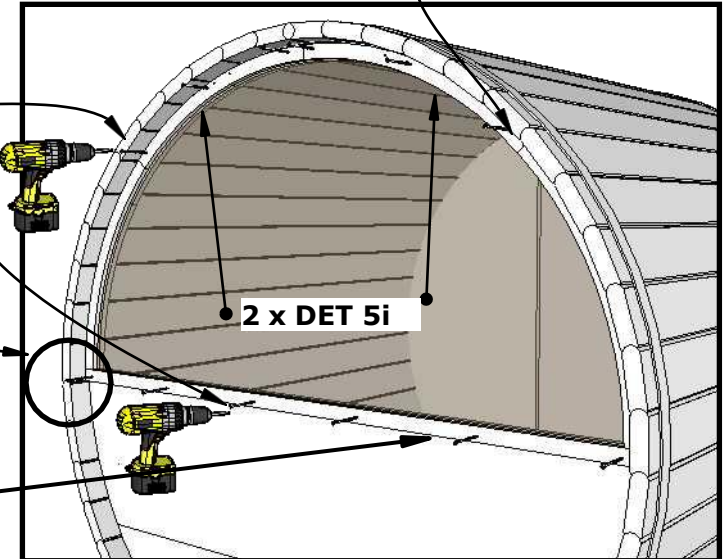
Be careful! Do not hit the glass!



1x DET 5k
cut on right size

12 x J

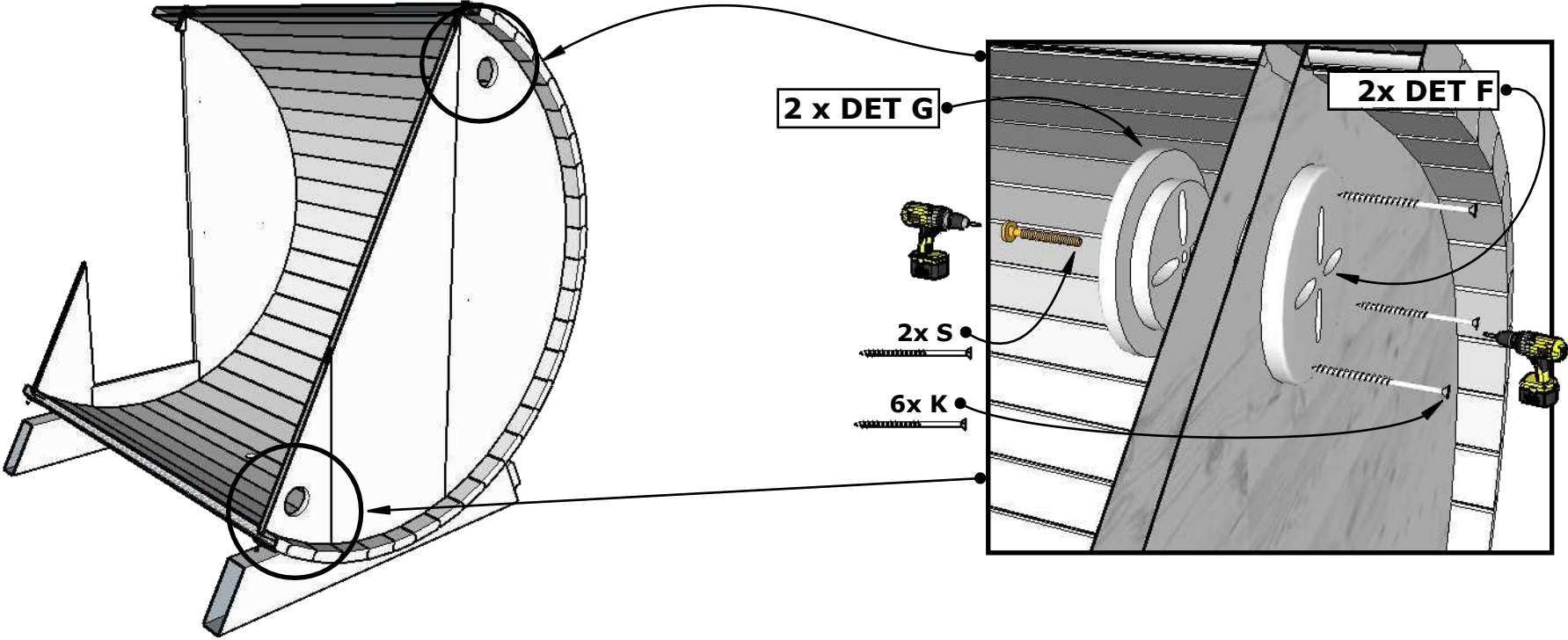
Cut last detail on right size.



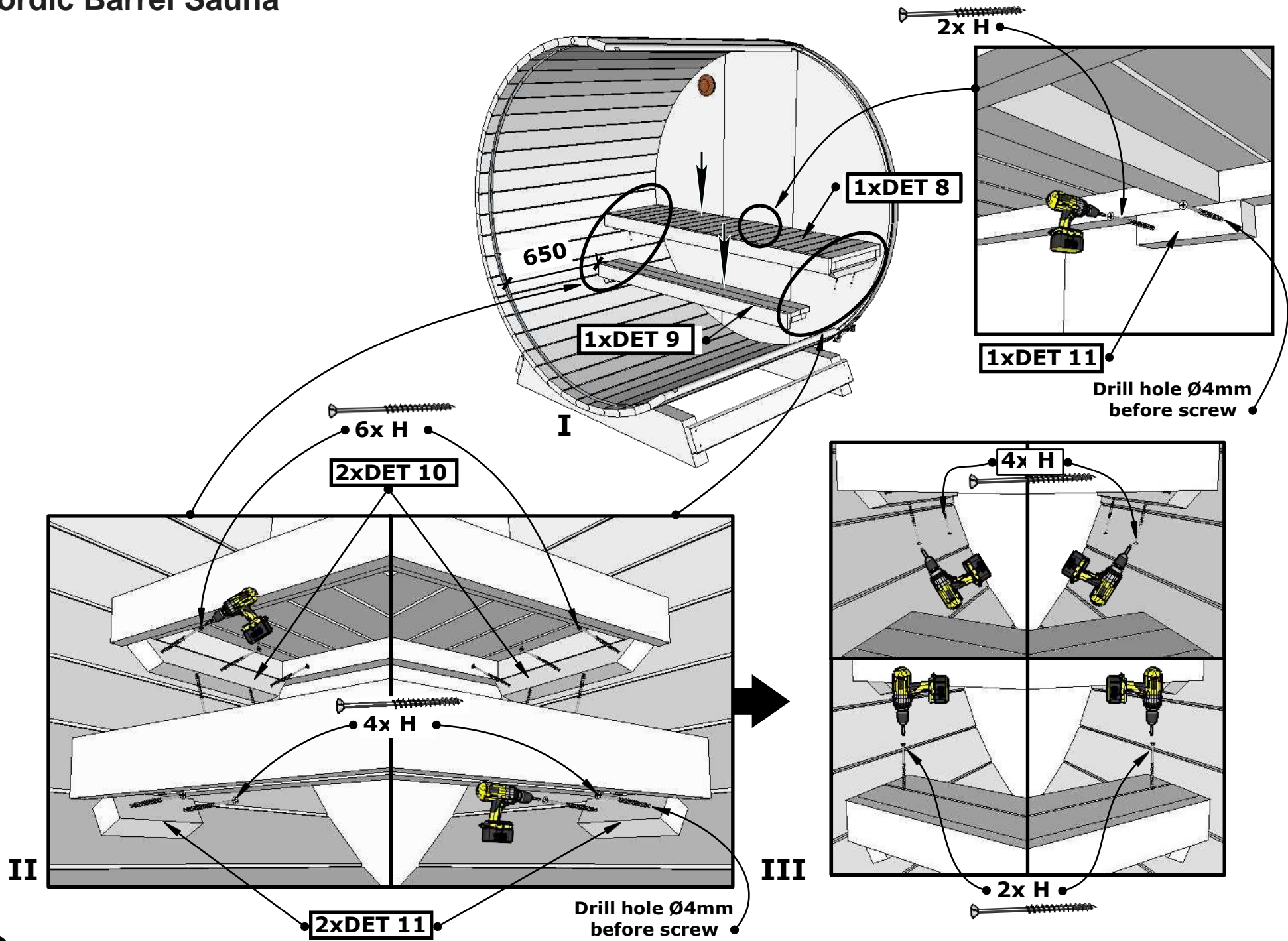
II

8.

Nordic Barrel Sauna

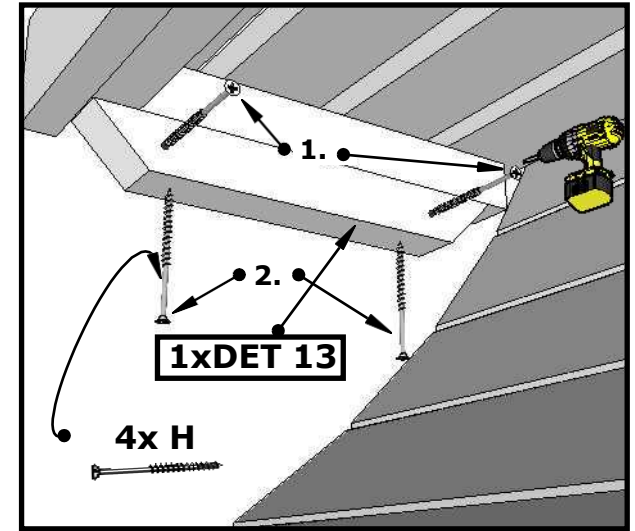
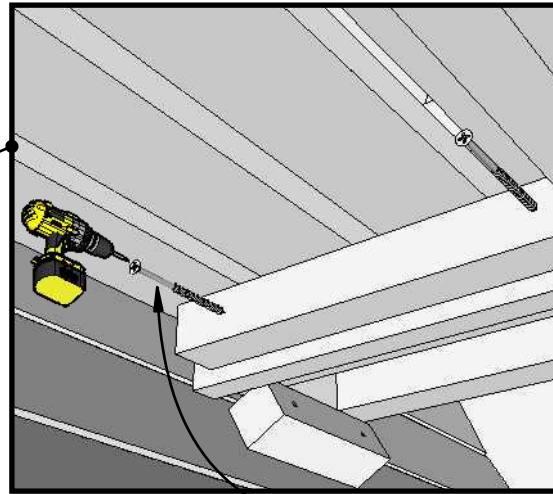
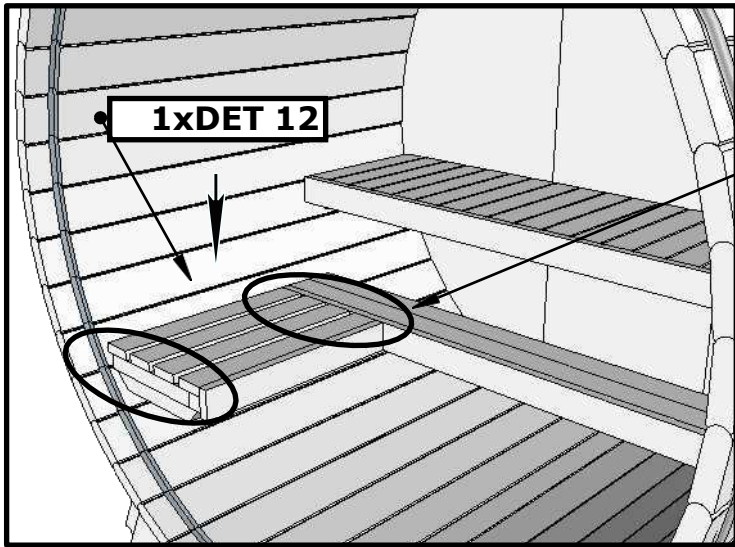


Nordic Barrel Sauna

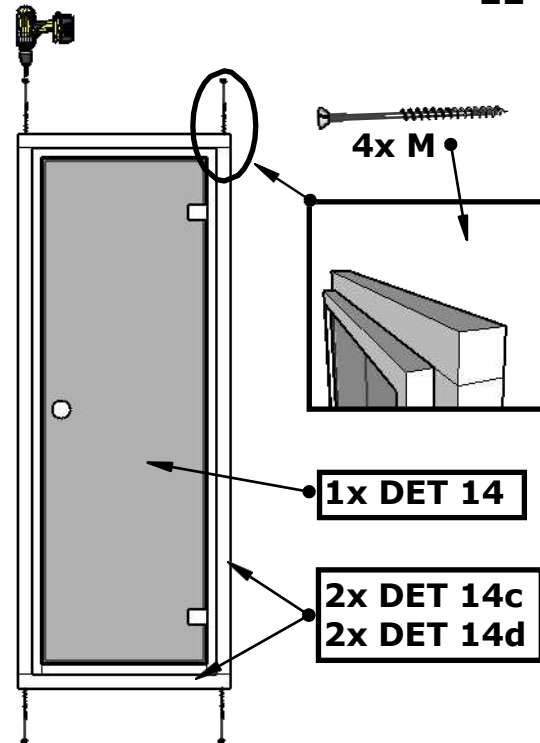
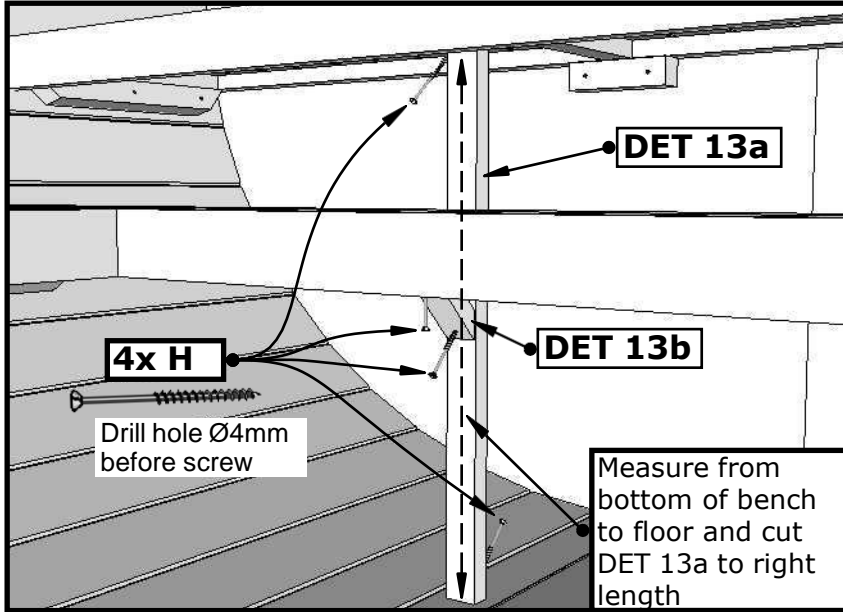


10.

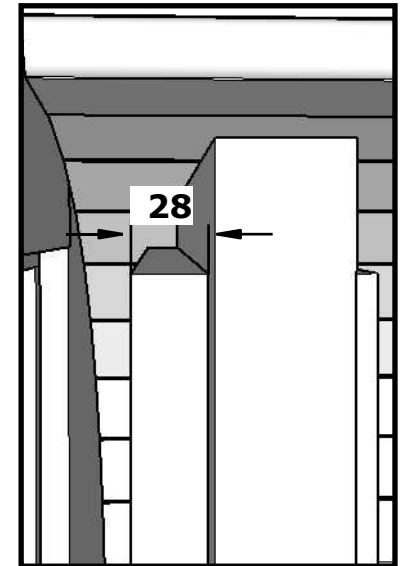
I



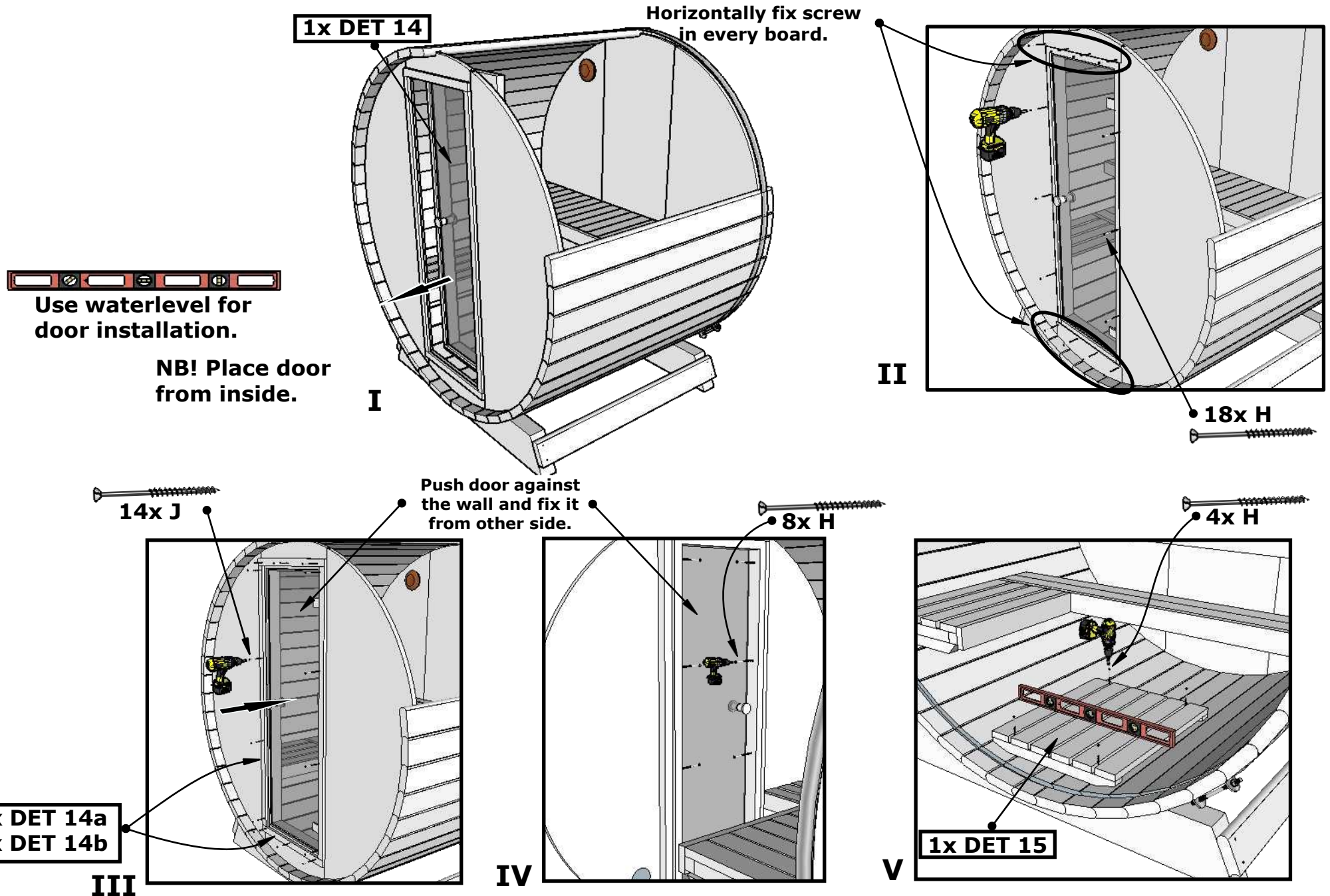
II



III

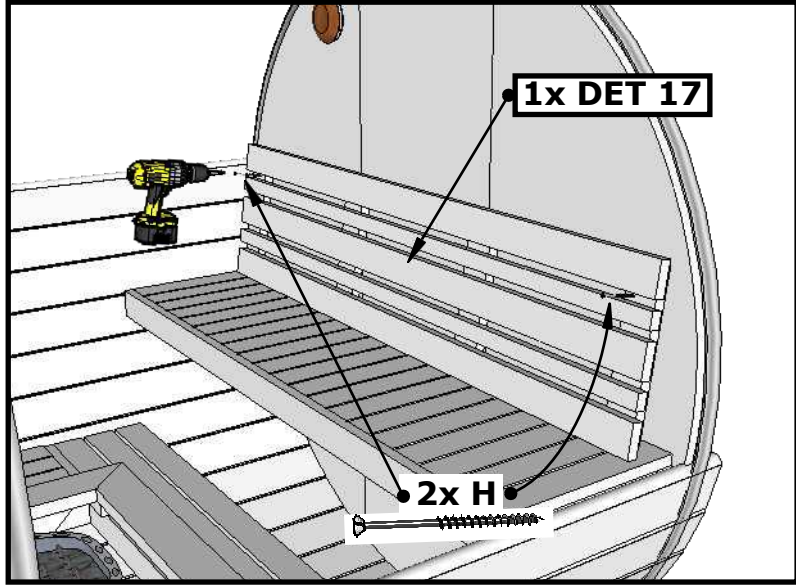


Nordic Barrel Sauna

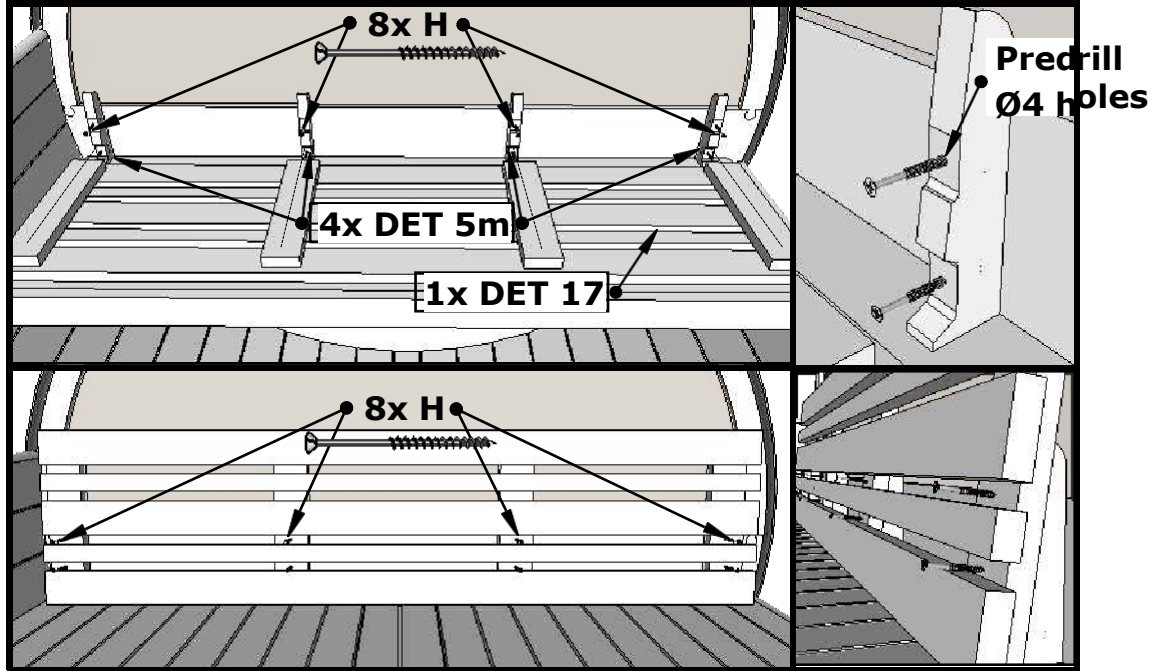


Nordic Barrel Sauna

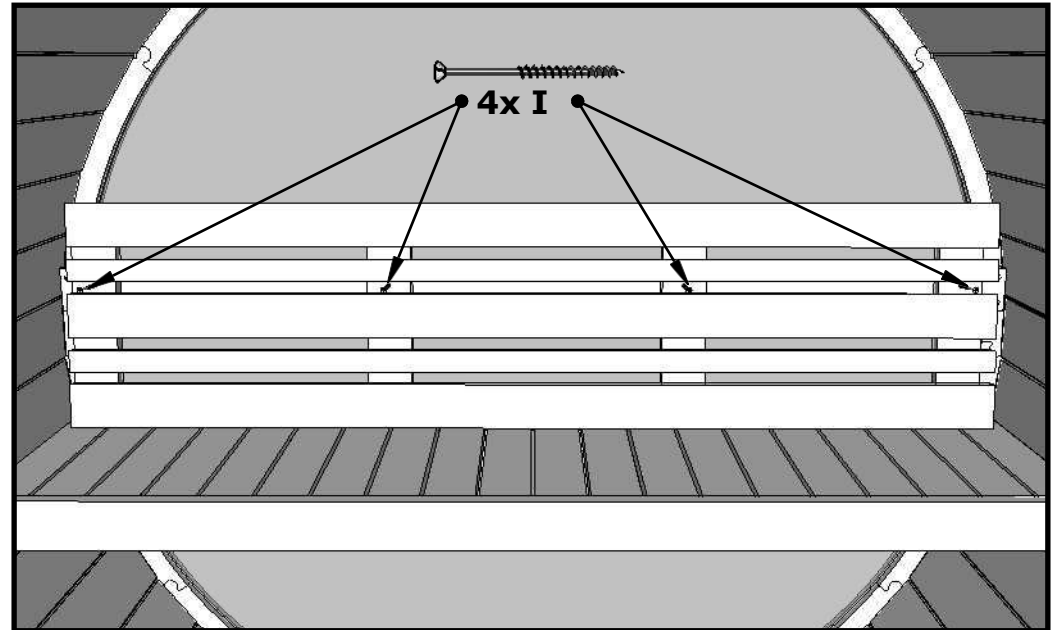
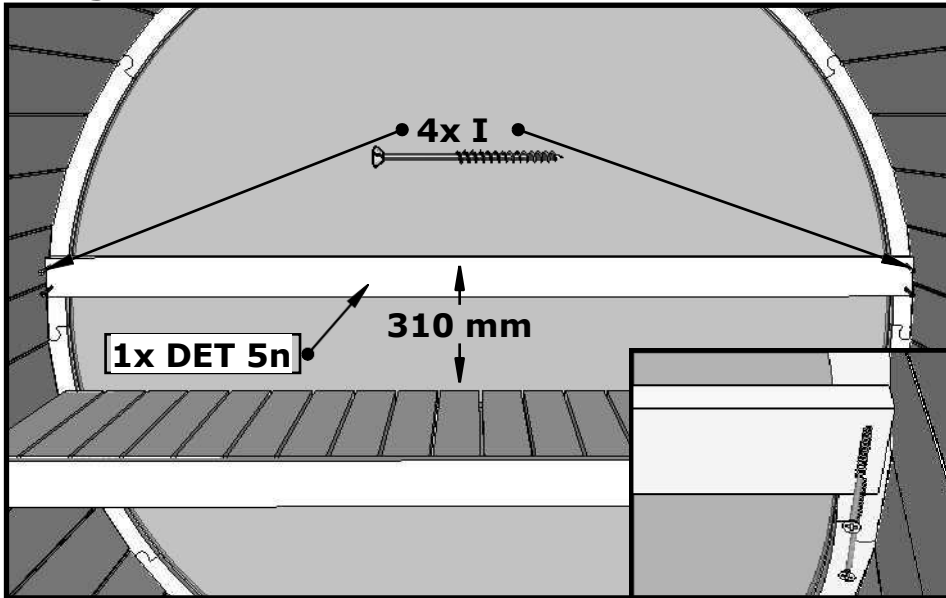
Wood wall



Half glass wall

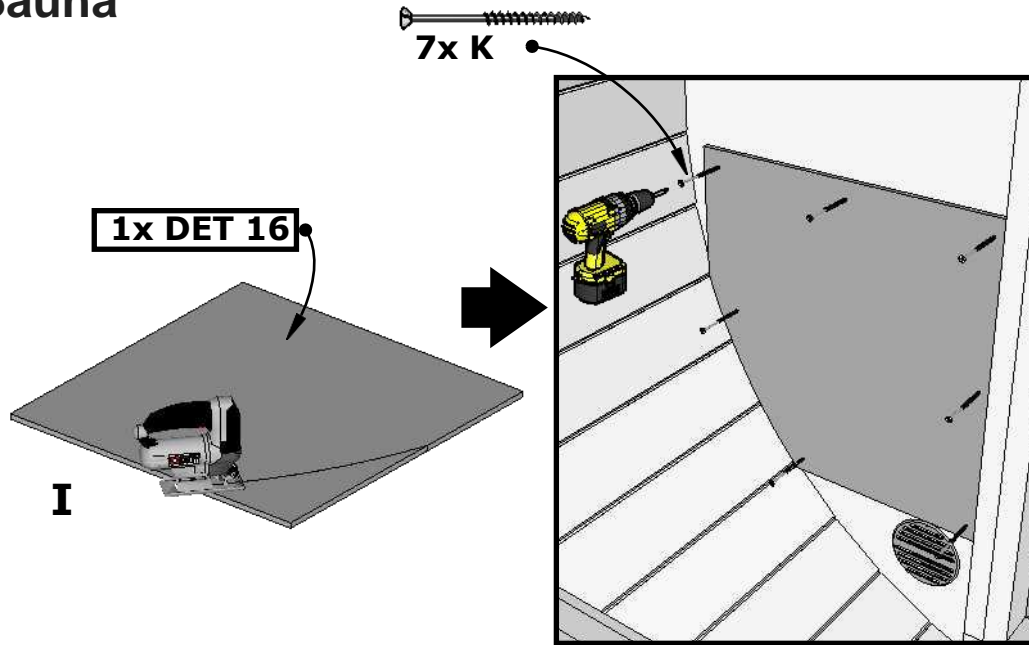


Full glass wall

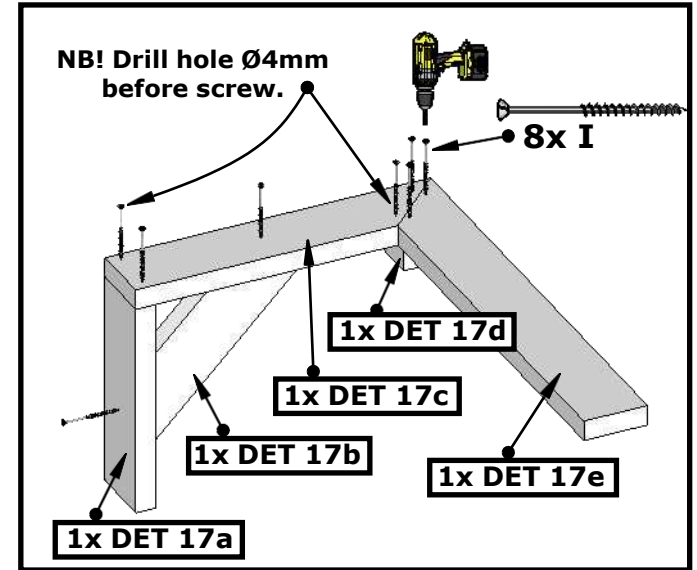


Screw in at an angle.
Do not hit glass!

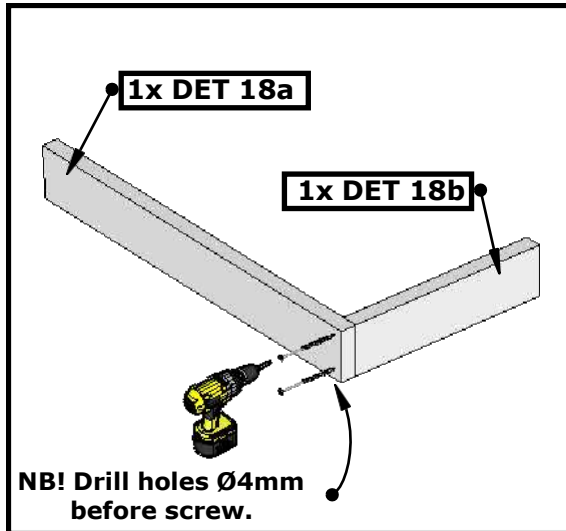
Nordic Barrel Sauna



If Your sauna heater BC 35 or smaller.

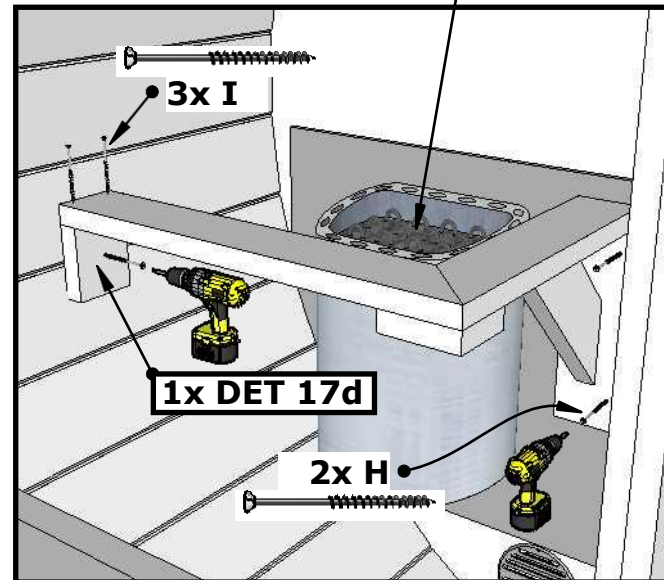


If Your sauna heater BC 45 or bigger.



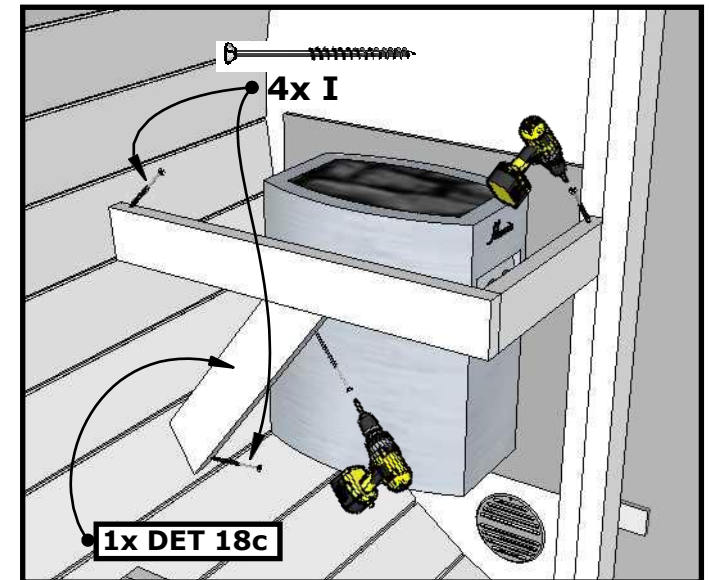
NB! Drill holes Ø4mm before screw.

NB! Place sauna heater first.



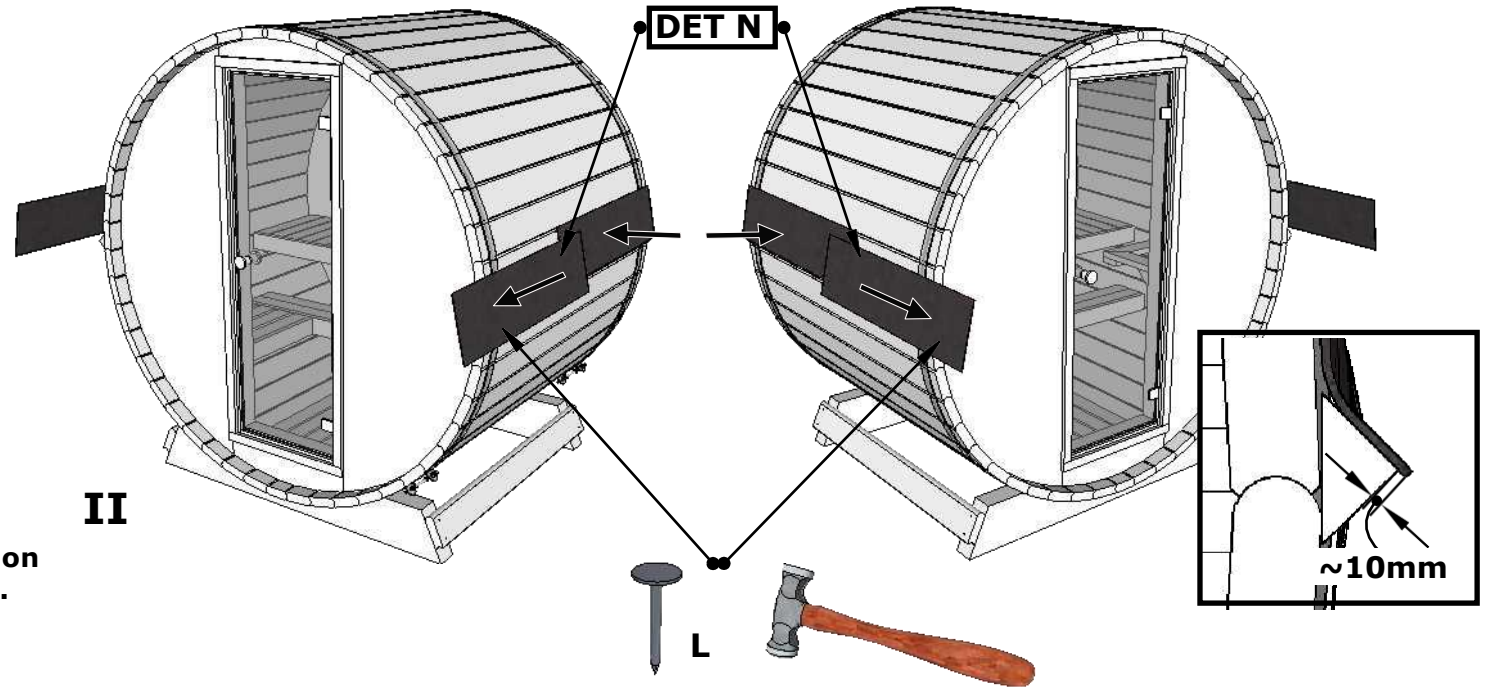
If Your sauna heater BC 35 or smaller.

NB! Drill holes Ø4mm before screw.



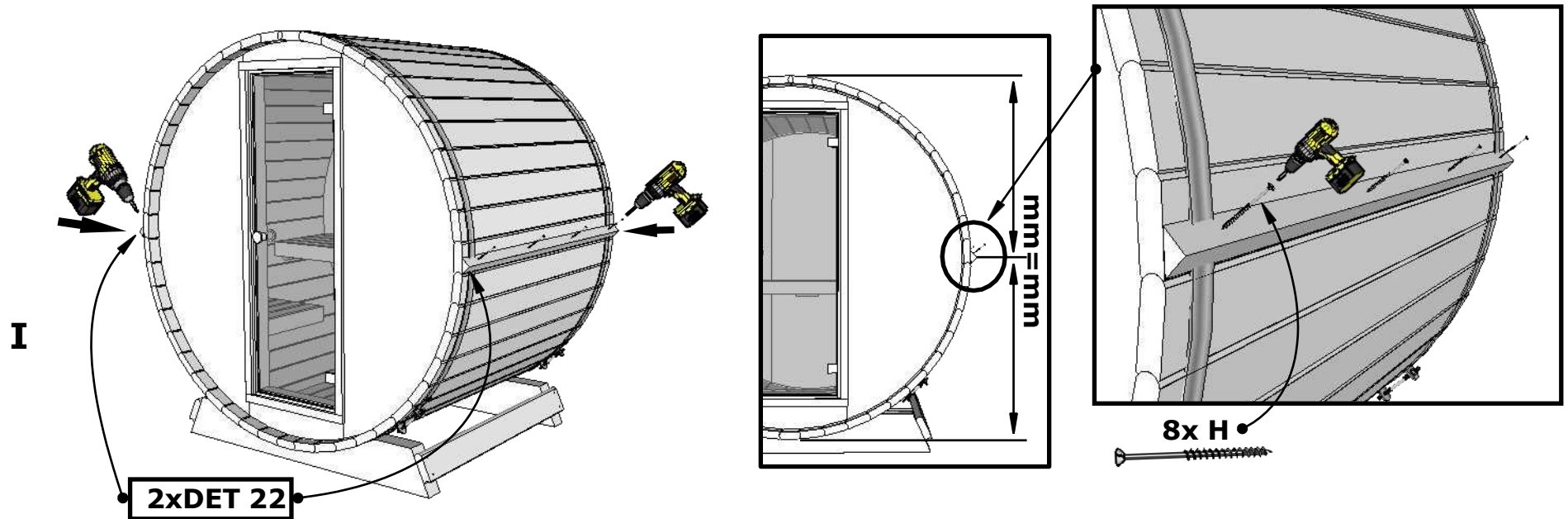
If Your sauna heater BC 45 or bigger.

Nordic Barrel Sauna



Model with endboards.

NB! Check also shingles installation manual inside shingles packages.

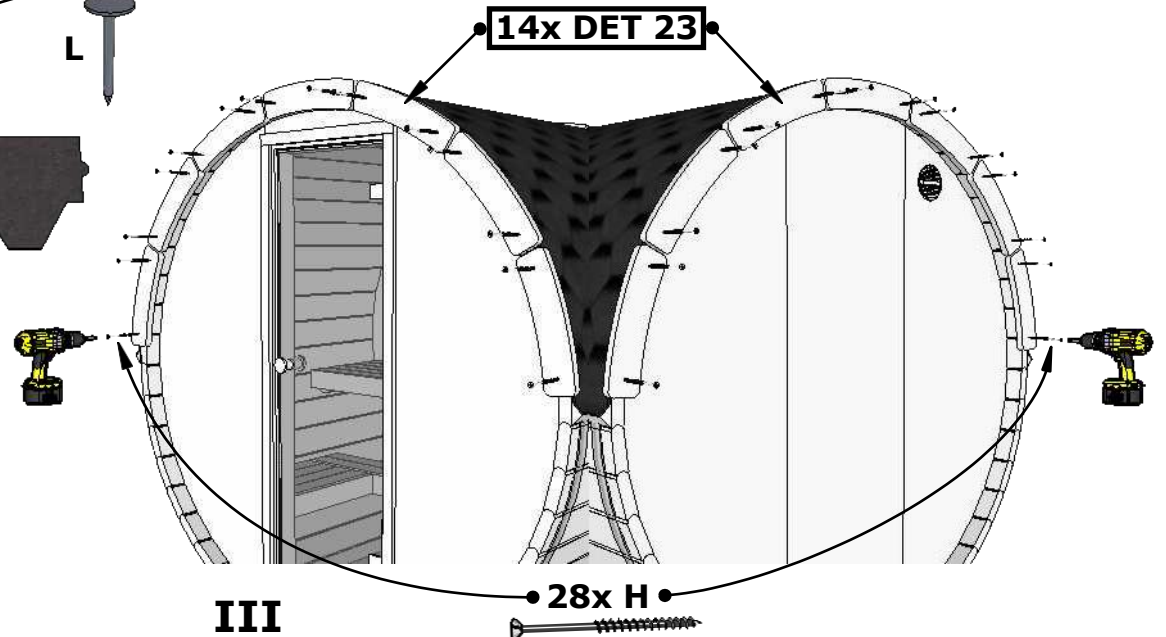
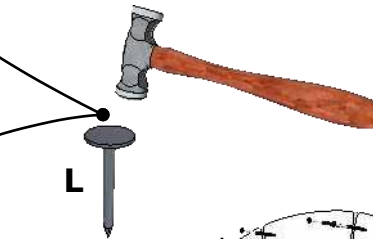
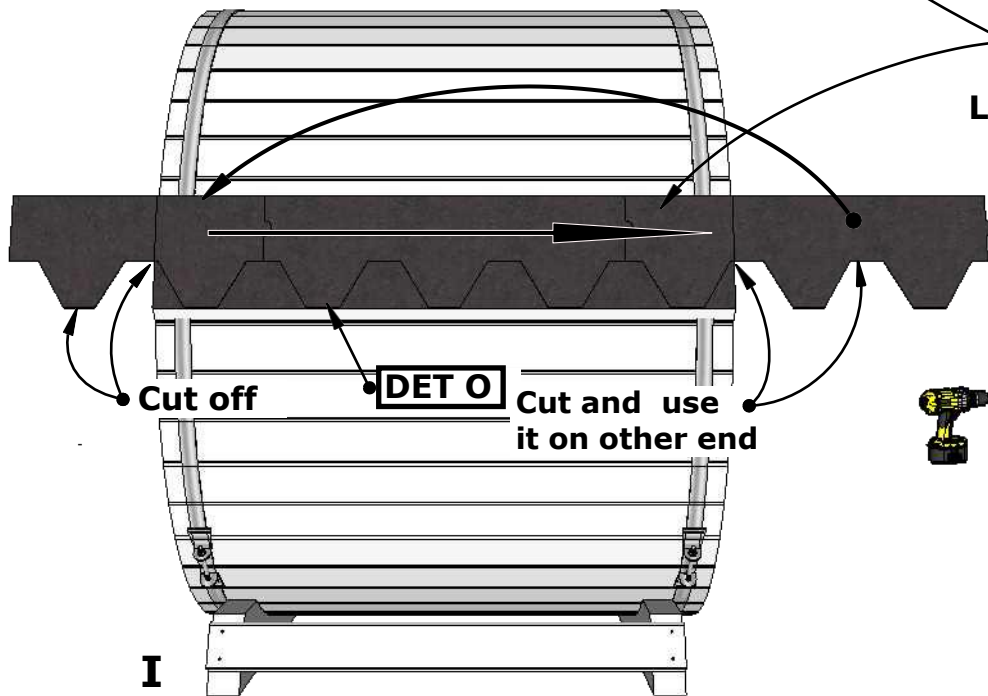
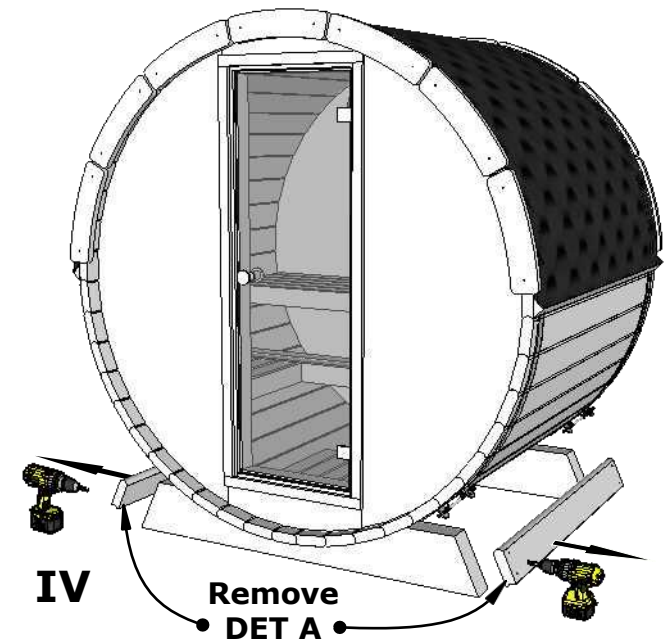
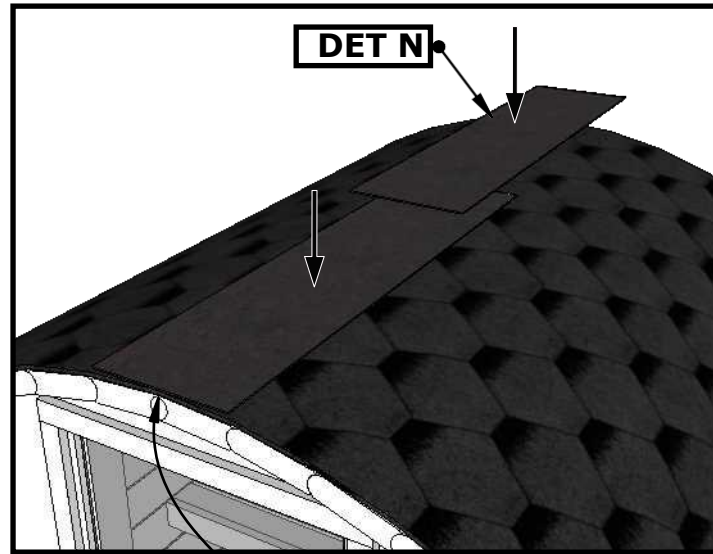


Nordic Barrel Sauna

Model with endboards.

NB! Check also shingles installation manual inside shingles packages.

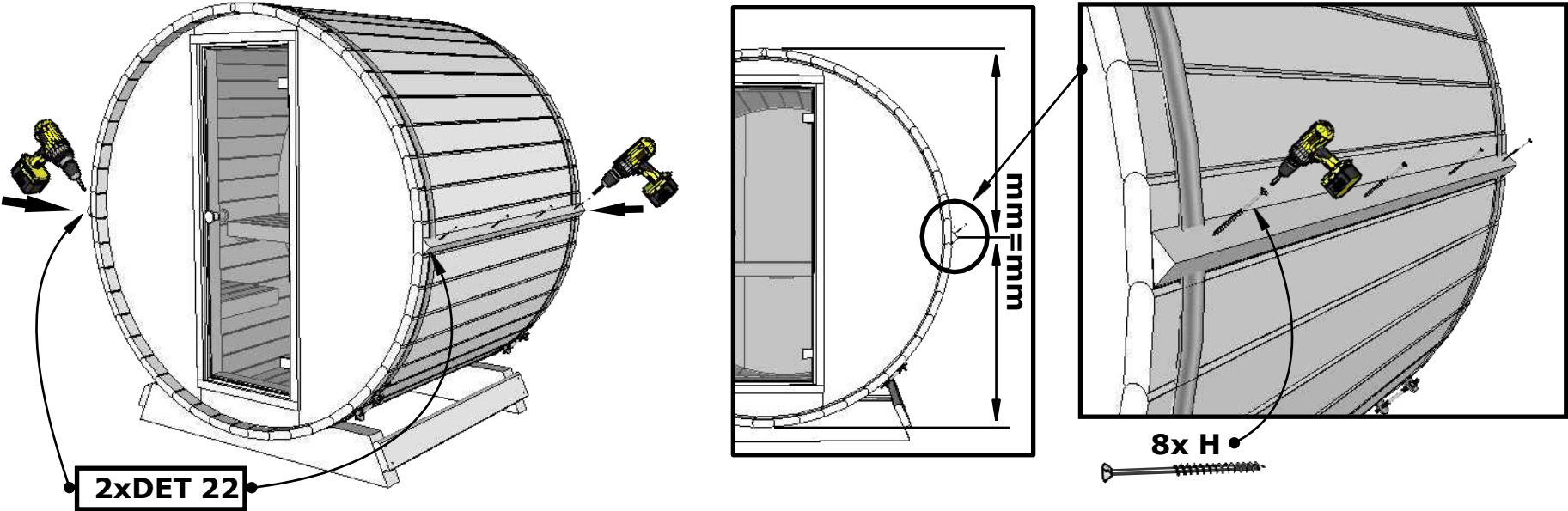
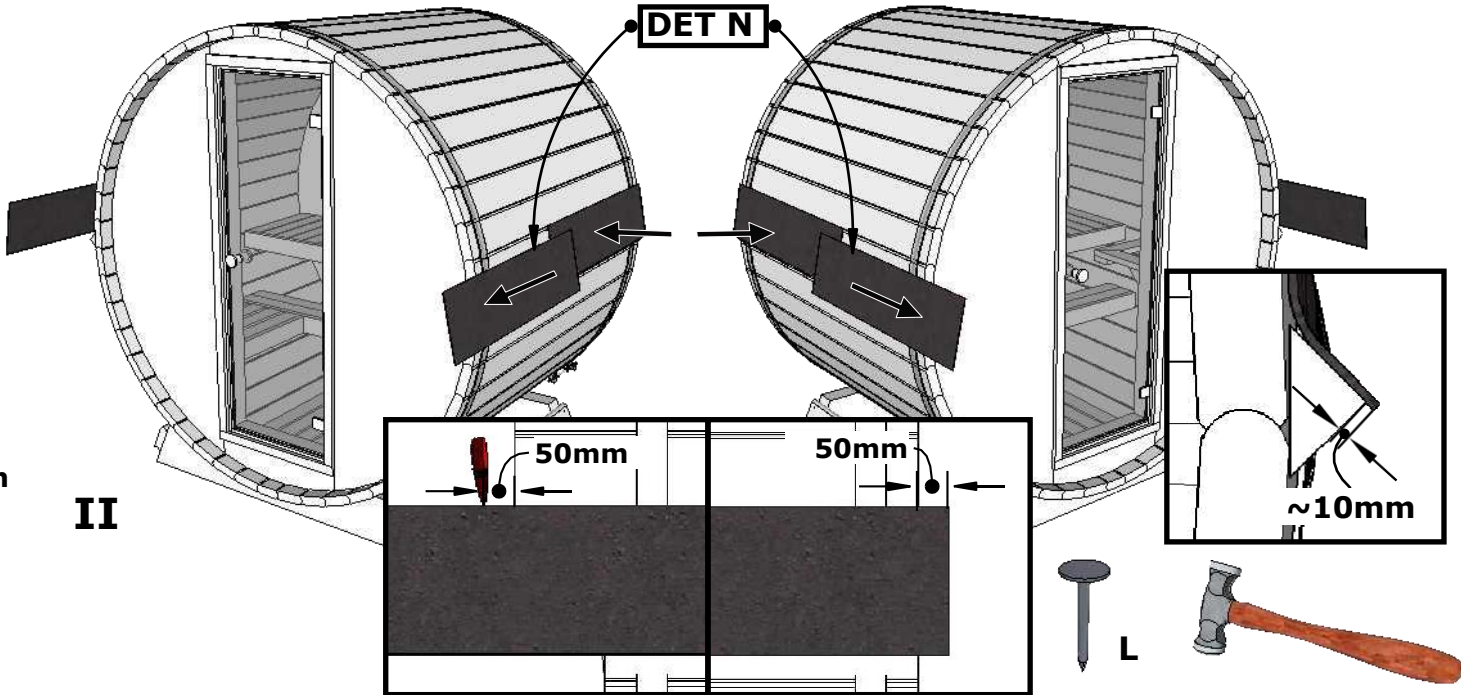
II



Nordic Barrel Sauna

Model without endboards.

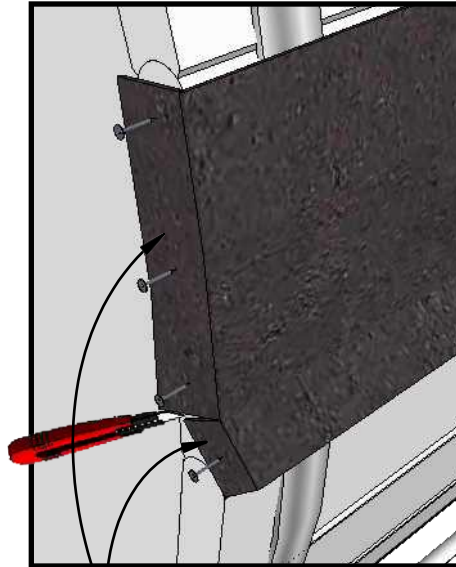
NB! Check also shingles installation manual inside shingles packages.



Nordic Barrel Sauna

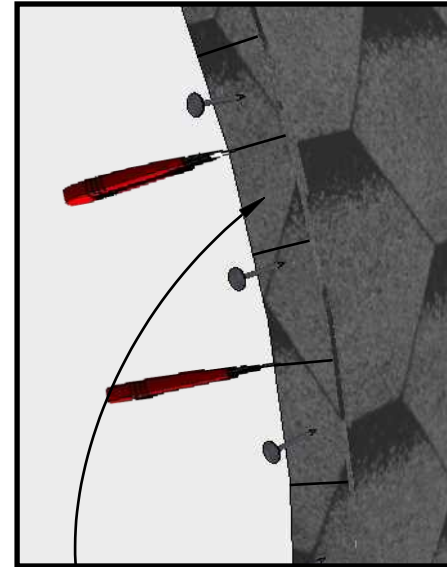
Model without endboards.

NB! Check also shingles installation manual inside shingles packages.

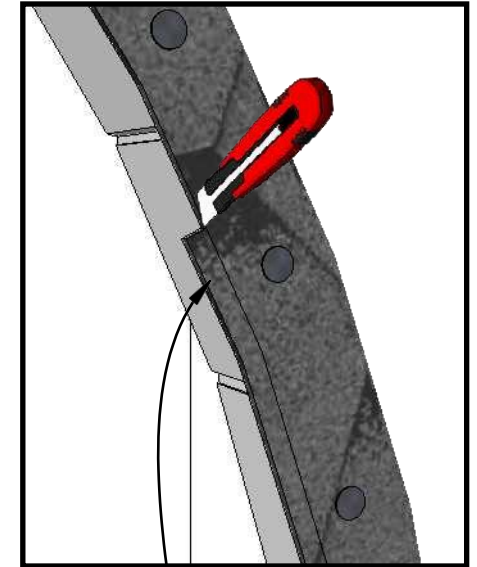


II

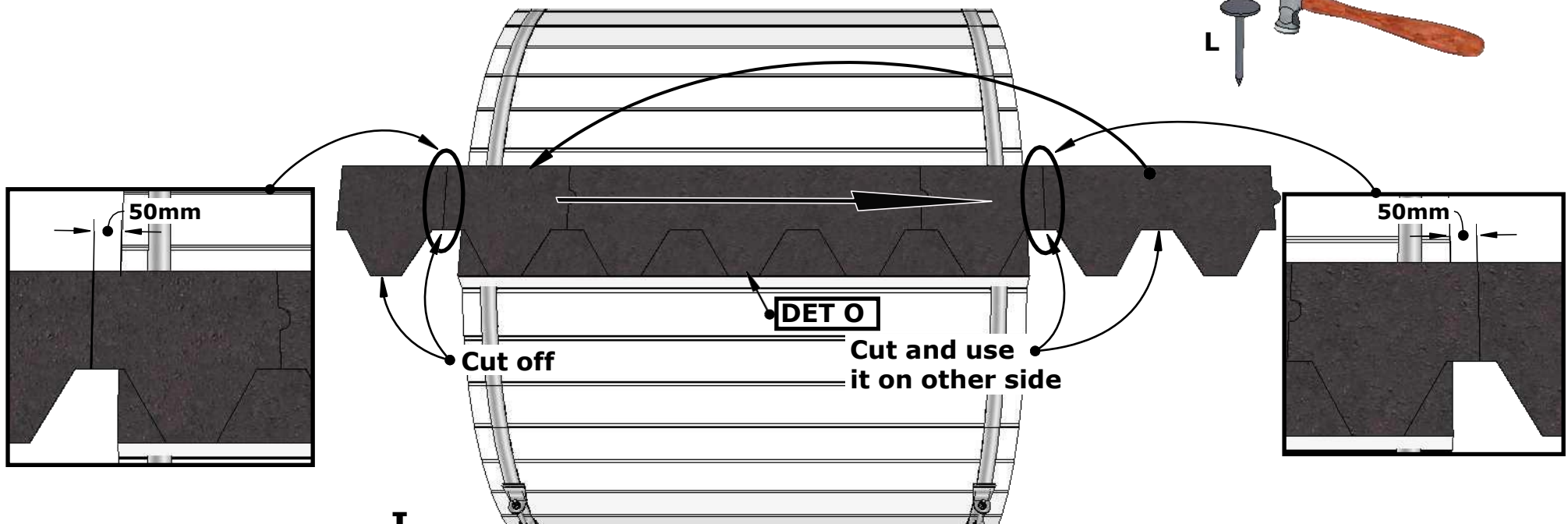
Bend overlap to the edge and fix with clout nails



Bend overlap to the edge and fix with clout nails



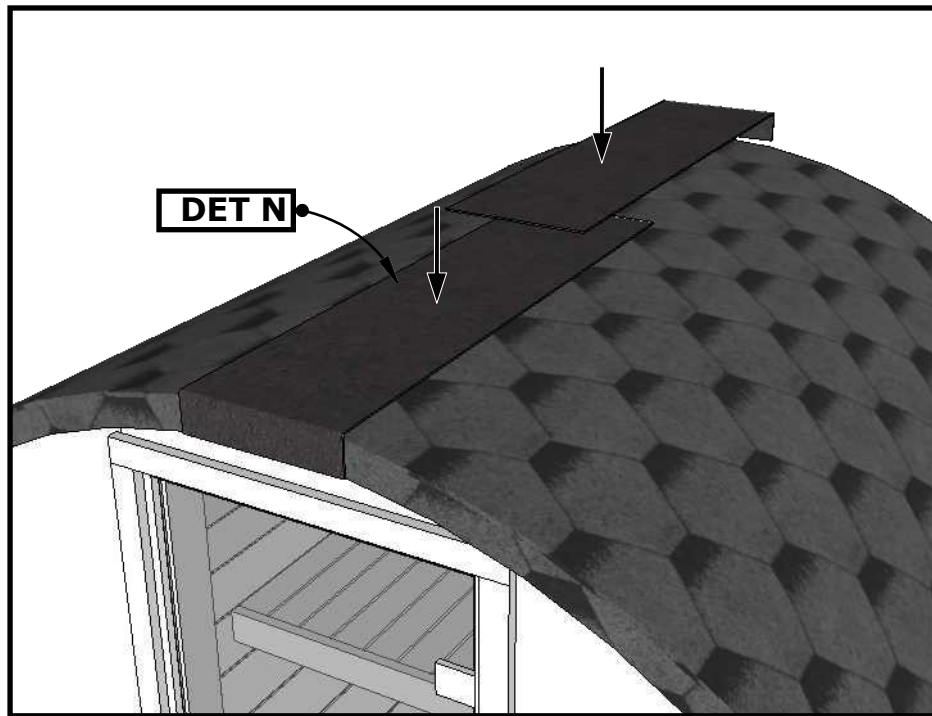
Cut off



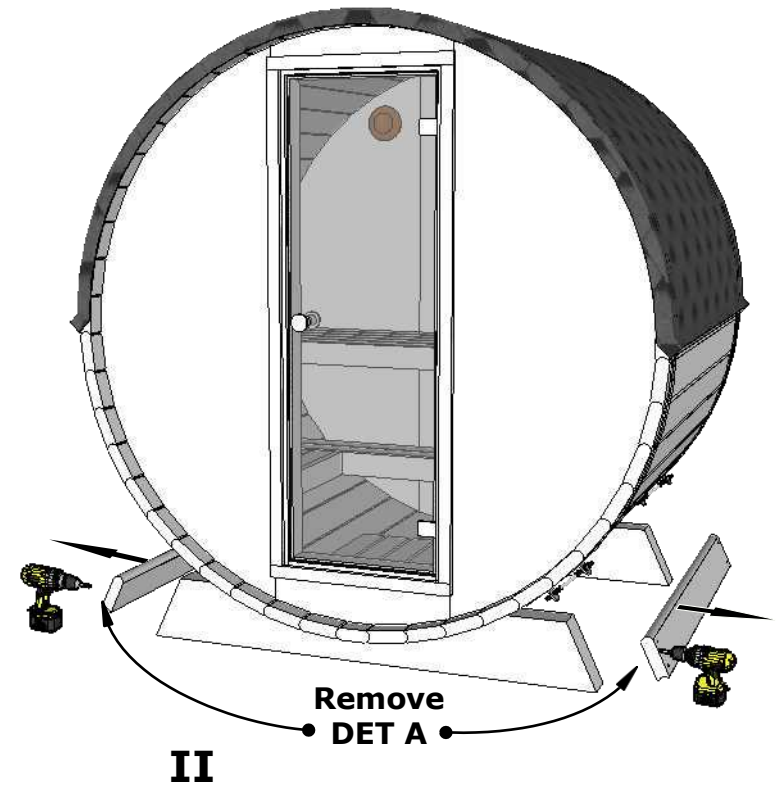
Nordic Barrel Sauna

Model without endboards.

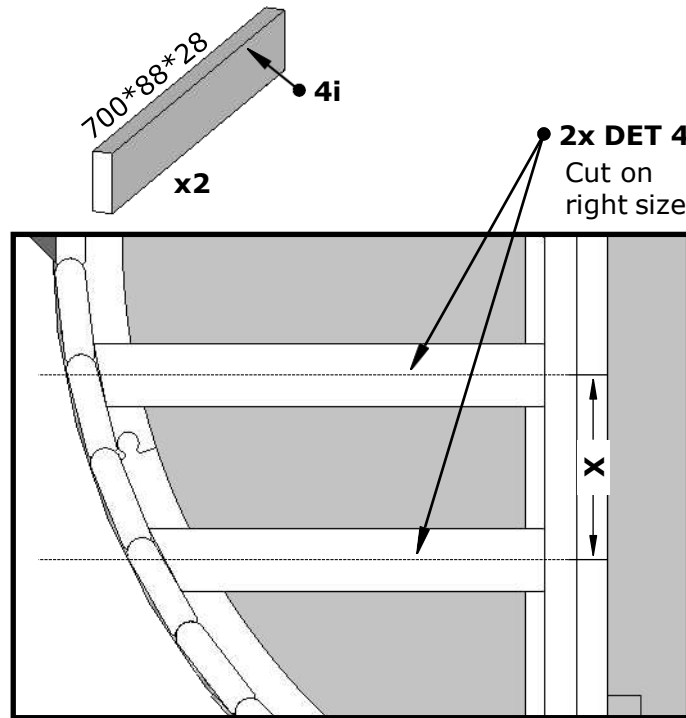
NB! Check also shingles installation manual inside shingles packages.



I

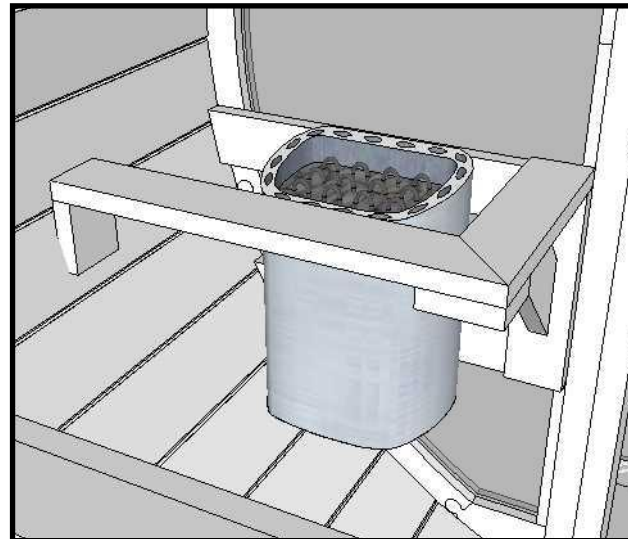


El.heater installation



I

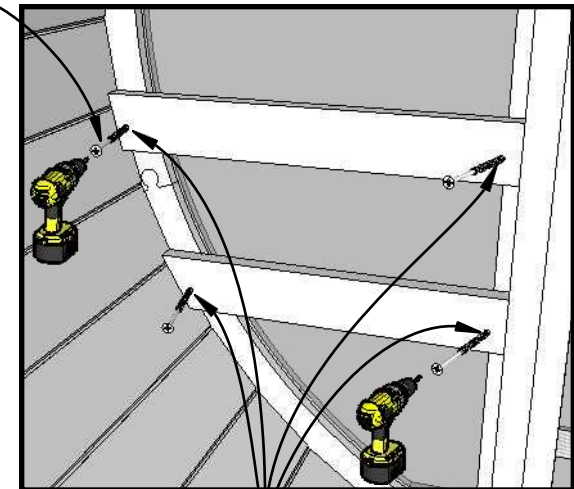
NB! Check Your el.heater user manual to install heater!



III

NB! Check Your el.heater user manual to find correct measurements!

4x I
4*50
(4 stk.)



II

Drill holes Ø4 mm before screw.
NB! Be careful, do not hit the glass!

Proceed with main installation manual!