

HUM



HIVE Wood

13 kW 17 kW 17 kW LS

ENG

SAUNA STOVE

3-11

CE





HIVE Wood

SAUNA STOVE

Installation and user instructions

Important! These instructions provide simultaneously the installation instructions for models 13kW, 17kW and 17kW LS. Follow the instructions for your model carefully.

Important! We recommend a specialist to lay the stones on the heater.

Important! The sauna stove described in these instructions should only be connected to the chimney by a specialist.

The HIVE Wood sauna stove delivery package includes:

- a sauna stove
- installation and user instructions for the sauna stove

Important! The sauna stove requires sauna stones.

WARNING!

Do not place anything combustible close to heater, above the heater, and on both sides of the heater. This includes but not limited to towels, lights, robe hooks, accessories, etc. Nothing should be on the same wall as your heater that is combustible.

Technical specifications of the sauna stove	HIVE Wood 13	HIVE Wood 17
Steam room size range	212-459 ft ³ 6-13 m ³	283-565 ft ³ 8-16 m ³
Nominal heating power (kW)	13	17
Steel frame diameter	17.7 in 450 mm	21.9 in 555 mm
Depth + extension of the combustion chamber LS	13.8 in 350 mm	24.4 in / 620 mm + 6.1 in / 155 mm LS
Height	29.6 in 750 mm	29.6 in 750 mm
Empty weight	100 lb 45 kg	155 lb 70 kg
Weight of stones	199 lb 90 kg	287 lb 130 kg
Thickness of furnace walls	0.2 in 5 mm	0.2 in 5 mm
Maximum length of fireWood	11.8 in 30 cm	15.7 in 40 cm
Diameter of fireWood	3.1-5.9 in 8-15 cm	3.1-5.9 in 8-15 cm
Diameter of smoke outlet	4.53 in 115 mm	4.53 in 115 mm
Required temperature class of chimney	T600	T600
Minimum cross section of chimney	15.81 in ² 10200 mm ²	15.81 in ² 10200 mm ²
Minimum cross section of vents	12.17 in ² 7850 mm ²	12.17 in ² 7850 mm ²
Heating power in steam room (kW)	13	17,4
Fuel	Wood	Wood
Safety distances from combustible materials	Table 1	Table 1
Fire safety (ignition of nearby objects)	Passed	Passed
Exhaust gases of the combustion process	Passed	Passed
Surface temperature	Passed	Passed
Emission of hazardous compounds	NPD	NPD
Cleanability	Passed	Passed
Flue gas temperature	806°F 430°C	829.4°F 443°C

Mechanical resistance	Passed	Passed
Carbon dioxide emissions at 13% of O ₂ content (%)	Passed (0,67)	Passed (0,67)
Total efficiency (%)	67	66
Minimum required chimney draught (Pa)	12	12
Wood weight/ in three parts up to	19 / 8.8 lb 8,6 / 4 kg	24.7 / 12.4 lb 11,2 / 5,6 kg
Ash tray opening during ignition / after ignition	0.4 / 0.08- 0.12 in 10 / 2-3 mm	0.4 / 0.08- 0.12 in 10 / 2-3 mm

* NPD – No permanent data

Application area	Multi-firing sauna stoves heated by natural Wood logs
Meets requirement	EN 15821:2010
HUUM Sauna OÜ Vinkli 2, Tartu, 51014, Estonia	



Congratulations, you've made an excellent choice!

The HUUM sauna stove is the best of its kind and will serve you for a very long time with the correct use and maintenance.

- Read the instructions carefully before installation and use.
- Keep these instructions for future reference.

Important! Read the instructions carefully before using the sauna heater!

GENERAL

The Wood HIVE sauna stove is intended for dry or wet sauna steam.

Our product range includes various modifications for the HIVE Wood sauna stoves. Consumers can choose between stoves with different nominal power. The stove can be equipped with a hot water production accessory and a wall furnace aperture, which is marked with letters **LS** in these instructions.

INSTALLATION

- Installation of the sauna stove must conform to all local normative documents, including the applicable national and European Union standards relating to the installation, including EN 15821:2010.
- Safety distances **A**, **B** and 47.3 in/1200 mm above the stove are given for combustible materials.
- If the stove is installed in a niche composed of non-combustible material (stone, concrete), at least 4 in/100 mm should be left between the wall and the stove for air movement.
- The safety distance for combustible materials can be reduced to 1/2 in the case of a single and 1/4 in the case of a double heat barrier. The heat barrier is considered within the safety distance, and the difference between the outer surface and the protected area must be at least 1.2 in/30 mm.
- The sauna stove must be installed on a non-combustible surface with the required carrying capacity.

- Electrical equipment and wiring are not permitted in the safety area of the sauna stove.

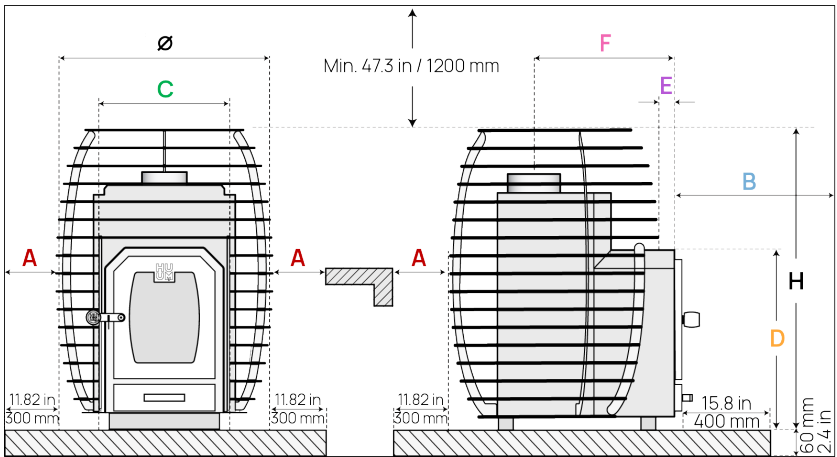


Table 1	Power	Room	A	B	C	D	E	F	Ø	H
HIVE Wood 13	13 kW	212-459 ft ³ 6-13 m ³	9.85 in 250 mm	35.5 in 900 mm	9.5 in 240 mm	16.74 in 425 mm	0.2 in 5 mm	11.82 in 300 mm	17.8 in 450 mm	29.6 in 750 mm
HIVE Wood 17	17 kW	283-565 ft ³ 8-16 m ³	19.7 in 500 mm	39.4 in 1000 mm	11.82 in 300 mm	18.11 in 460 mm	1.4 in 7.3 in ^{LS} 35 mm 185 mm ^{LS}	15.75 in 15.55 in ^{LS} 400 mm 395 mm ^{LS}	21.9 in 555 mm	29.6 in 750 mm

Installing HIVE Wood 17 LS to be heated from another room

- The furnace bushing of the sauna stove must be made through a non-combustible wall (stone, concrete, etc.).
- In addition, insulation with mineral wool or similar is recommended.
- At least 4 in/100 mm must be left between the bushing and the stove to facilitate the movement of air, so 7.9 in/200 mm must be added to height **D** and width **C** in Table 1 when calculating the dimensions of the opening.
- If the floor in front of the furnace is made from combustible

material, fire-resistant floor protection must be installed in front of the furnace door. The protection must be 23.63 in/600 mm wider than door width **C**, with a depth of at least 15.75 in/400 mm.

Connecting the sauna stove with the chimney

- The flue gas outlet of HUUM sauna stoves is at the top of the sauna stove. The sauna stove is connected to the chimney using special metal flue pipes, which are optionally sealed with heat-resistant sealing rope.
- The elbows of the connection tubes must be smooth to keep draught loss to a minimum.
- The tube is inserted through the wall of the chimney and sealed with mineral wool.
- The sauna stove can only be connected to the chimney by specialists.
- The flue gases of the stove must be directed into a separate flue. Use of a common flue with other furnaces is not permitted.

Important! Forced extract ventilation may cause problems with the ventilation of the room and inadequate furnace combustion, therefore, designing and building such a ventilation system is permitted only with the supervision of a licensed specialist.

APPLICATION INSTRUCTION

Preparation for use

- Any natural granite stones or special sauna stove stones sold at hardware stores are suitable for the sauna stove. Use of ceramic stones may shorten the life of the stove.
- Sauna stove stone quantities:
 - HIVE Wood 13: 6 x 33 lb / 6 x 15kg;
 - HIVE Wood 17: 9 x 33 lb / 9 x 15kg.

Important! The sauna stove can only be heated with Wood logs.

Heating the sauna

- Avoid overheating the sauna stove; overheating is indicated when the furnace case glows red. Overheating causes the metal to deform, and the manufacturer is not responsible for this defect.
- In the case of overheating, the ash tray must be completely closed to stop the furnace combustion process. Keep the furnace door closed. If possible, cut off air flow to the room.
- It is recommended each time you heat the sauna stove that some quantity of the fuel consists of small and easily flammable pieces of material which are more porous and lighter compared to the rest of the fuel quantity.
- The sauna stove can only be heated with Wood logs. For HIVE Wood 13 logs with a length of 11.8 in/30 cm are the best and for HIVE Wood 17 logs with a length of 15.7 in/40 cm.
- The amount of air combustion is adjusted by changing the position of the ash tray drawer. During ignition, it is advisable to keep the ash tray open by up to 0.4 in/10 mm. As the material ignites, close the ash tray to the point where the distance between the front of the tray and the wall is 0.08-0.12 in/2-3 mm, depending on the draught.
- Keep the furnace door closed during heating. Open the door only to add fireWood.
- Avoid splashing water onto the hot glass of sauna stoves with a glass door. Tempered door glass is not under warranty.
- The heating time of the steam room is dependent on the thermal resistance of the wall materials, room size and power of the sauna stove.
- The outer surfaces of the sauna stove are hot during heating. Contact with exposed body parts can cause burns.
- Do not splash salt water onto the sauna stove.
- It is not advisable to throw hard water or water with a high iron content onto the sauna stove.

Maintenance

- For safe operation of the furnace, it is advisable to keep cleaning accessories (shovel, broom, rake) in the lower temperature (below 104°F / 40°C) part of the steam room.
- Empty the sauna stove's ash tray before each heating since this is used to adjust the draught.
- If the sauna has not been used for a long time, have a specialist check the furnace, grate and ash tray condition before heating the sauna stove. If necessary, arrange for the condition of the chimney and the flue to be checked as well. Also, if necessary, allow the specialist to undertake further cleaning.
- Large temperature fluctuations may, over time, cause the sauna stove stones to crumble and lose their required properties. It is therefore advisable to replace crumbled sauna stones with new ones once a year.
- Clean the heating surfaces of the sauna stove regularly, at least once every 20 uses.
- At least once a year, it is necessary to clean the chimney and flues.
- Cleaning of the sauna stove must comply with all local normative documents which provide fire safety regulations for the cleaning of furnaces.

WARRANTY

Buyer is obligated to read user manual and follow instructions and requirements presented. Damage to the product caused by not following instructions and requirements will void warranty.

If any defects are found on the product, where manufacturer can be blamed, then buyer has the right to demand fixing or replacing the product. Demands must be made not later than 5 years after buying the product. Purchase receipt needs to be presented when warranty demands are made.

Warranty terms:

- Warranty applies only to heaters that have been used according to the manual.
- The warranty applies to malfunctions caused by manufacturing faults. This warranty does not cover the combined effect of high temperature and water on the sauna stove:
 - deformation of metal;
 - surface coating;
 - door glass.
- **NB!** Warranty does not cover heating elements. They are considered as consumable parts.
- Warranty does not cover wear that occurs from natural usage.
- Warranty does not cover defects or wear caused by planned use.
- Warranty does not imply when:
 - damage or defects are caused by transportation or other actions not controlled by manufacturer.
 - product has been damaged by carelessness or overload
 - product has not been installed correctly
 - product has been modified in any way
 - warranty period is over
 - product is not complete

All demands shall be presented directly to reseller or using e-mail for Canada: canada.support@huumsauna.com or for USA: usa.support@huumsauna.com

