



Horizon Barrel Sauna

OWNER'S MANUAL

WARNING! Do not place anything combustible close to heater, above the heater, and on both sides of the heater. This includes but not limited to towels, lights, robe hookes, accessories, etc. Nothing should be on the same wall as your heater that is combustible.

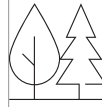
The Wait Is Over.

Everything you need to build your very own Thermory Barrel Sauna is right there in front of you. If it looks like a lot, it is. If it seems too complicated to assemble, it isn't.

These instructions are specifically written to guide you through each step with ease. And if you need additional encouragement, you can scan the code on the back of this guide to see how it's done.

The Horizon Barrel Sauna is designed for up to six people.. That's plenty of room for you and the friends helping you put this together. But if you want to enjoy the first steam all by yourself, we understand.

We truly appreciate the opportunity to share our love of sauna culture with you. And if there's anything we can do to make your sauna experience better, please don't hesitate to let us know. If not, just relax and enjoy.



REAL WOOD PRODUCTS



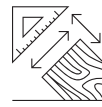
SUSTAINABLE



THERMALLY MODIFIED WOOD



DURABILITY



DIMENSIONAL STABILITY



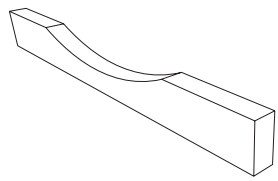
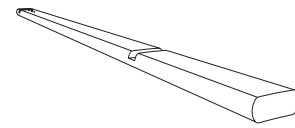
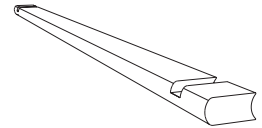
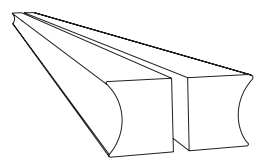
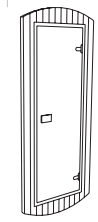
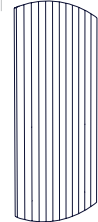
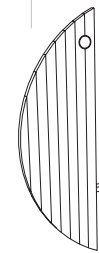
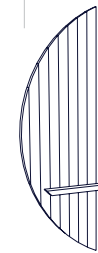
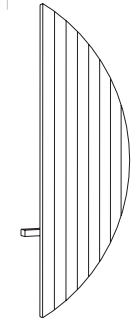
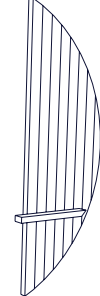
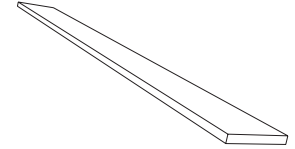
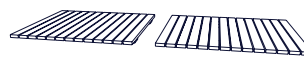
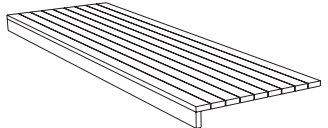
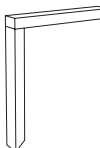
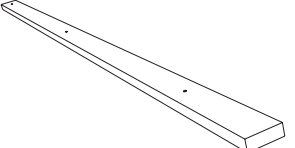
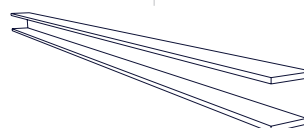
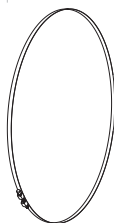
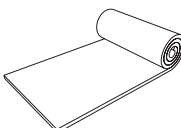
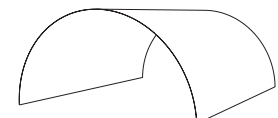
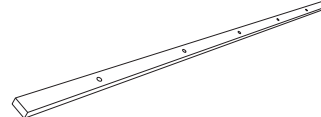
ECO-FRIENDLY / CHEMICAL-FREE PROCESS



BARRELS

Installation guide

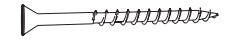
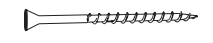
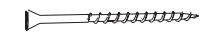
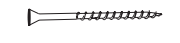
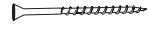

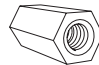

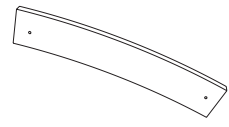


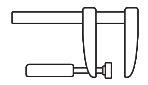
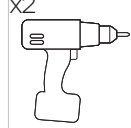






PARTS 1

CRADLES x3 A 	CENTER STAVE x1 B 	BODY STAVES x80 (+1 reserve) C 	FINAL H-TYPE TOP STAVE x2 H 
FRONT PANEL x1 D 	REAR PANEL x1 D1 	LEFT PANEL SECTION (FRONT) x1 E 	LEFT PANEL SECTION (BACK) x1 E1 
RIGHT PANEL SECTION (FRONT) x1 F 	RIGHT PANEL SECTION (BACK) x1 F1 	ASPEN ROOF BOARD x1 O 	FLOORING DUCKBOARD x2 L 
INTERIOR BENCHES x2 J 	BENCH SUPPORTING LEGS x2 J1 	BACKREST STAVES x6 J2 	WIRE RACEWAYS x3 V  <small>*if needed for heater installation.</small>
METAL BANDS x2 I 	ADHESIVE ROOF TAPE x1 R 	WATERPROOF ROOF COVER x1 Z 	WOODEN SLAT FOR ROOF COVER x2 Z1 

BARRELS

Installation guide

PARTS 2

SCREW 5.0X120 x8 M 	SCREW 4.2X70 x120 N 	STAINLESS STEEL SCREW 4.2X70 x24 N1 	SCREW 4.0X50 x70 P 
STAINLESS STEEL SCREW 4.0X50 x24 P1 	Ø BOLT 16X140 x2 	HEX NUT M16 (SW24) x2 	FLAT WASHER x4 U 
DECORATIVE ROOF NISHING BOARDS x10 W 	3 People Recommended 	6' x2 	
TOOLS REQUIRED: x2 	x2 	x3 	x2 
	x2 	x2 	x3 

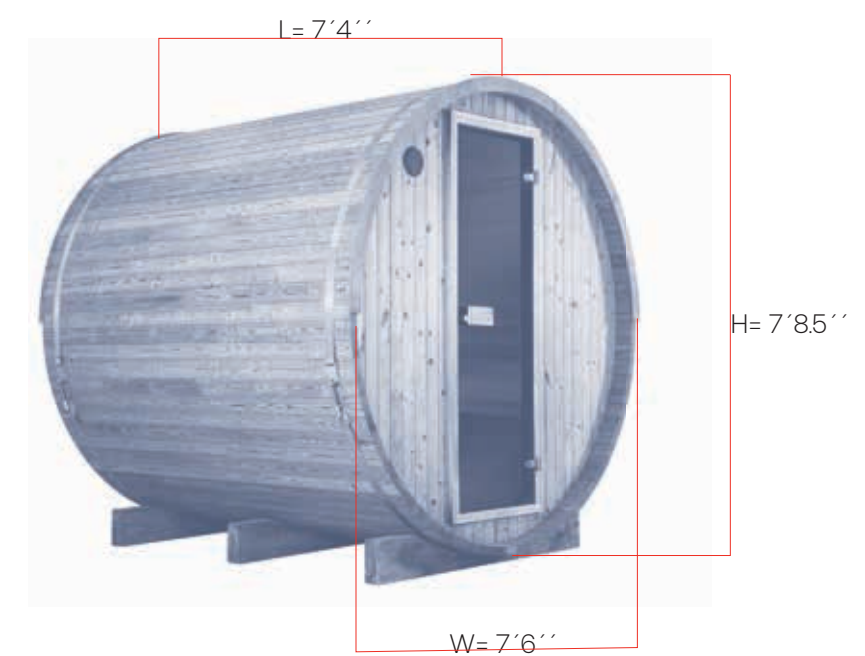
STEP ZERO

Before you begin, be sure the sauna will fit in your chosen location.

Approximately L x W x H of 8' x 8' x 8' is ideal. Overall dimensions are shown here.

Be sure the site is level and free of standing water after rainfall.

Concrete, pavers or crushed stone is preferred.



BARRELS

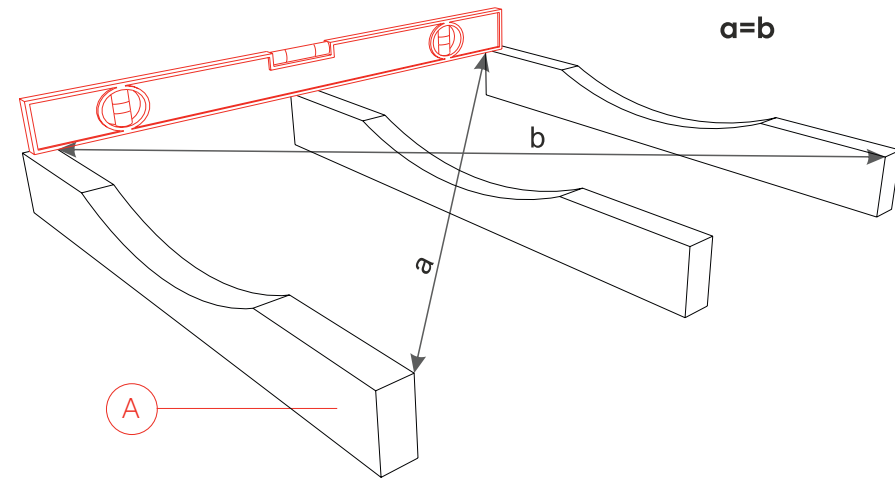
Installation guide

STEP ONE

Measure support cradles (A) diagonally from corner to corner.

Measurements "a" and "b" should be equal to ensure the cradles are square.

Be sure cradles remain level.

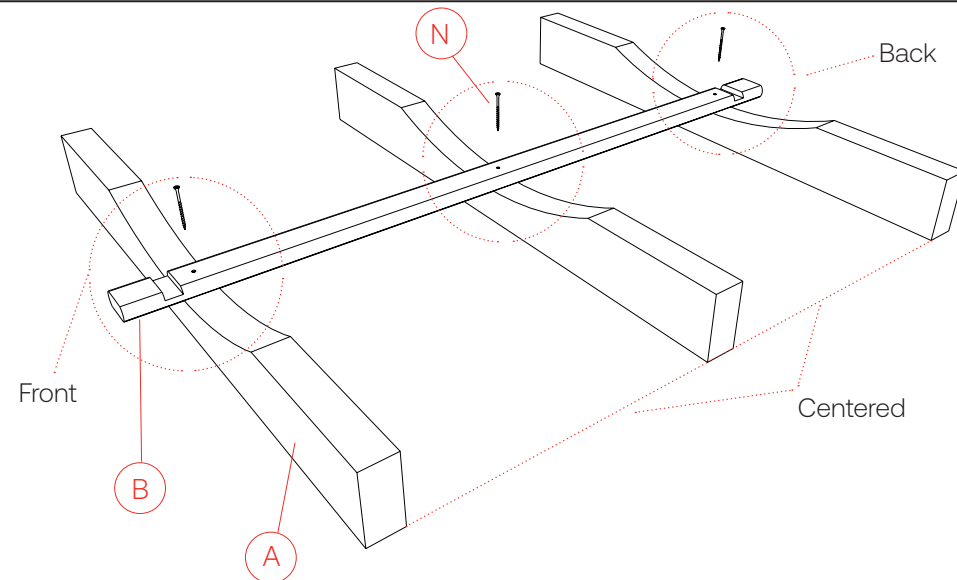


STEP TWO

Place the support cradles (A) on level site. The middle support cradle will have no dowel. Carefully level for better stability.

Place the center stave (B) on wooden dowels embedded in outer support cradles (A).

Fix the center stave (B) with screw 4.2x70 (N).

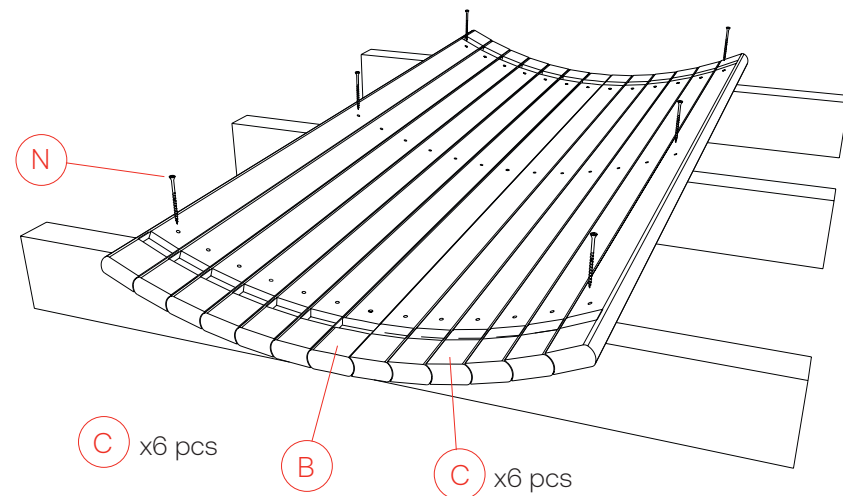


STEP THREE

Place 6 sauna body staves (C) to each side of the center stave (B) and fix with screws 4.2 x 70 (N).

Body staves (C) are left and right sided.

Be sure to align the panel groove on every next body stave.



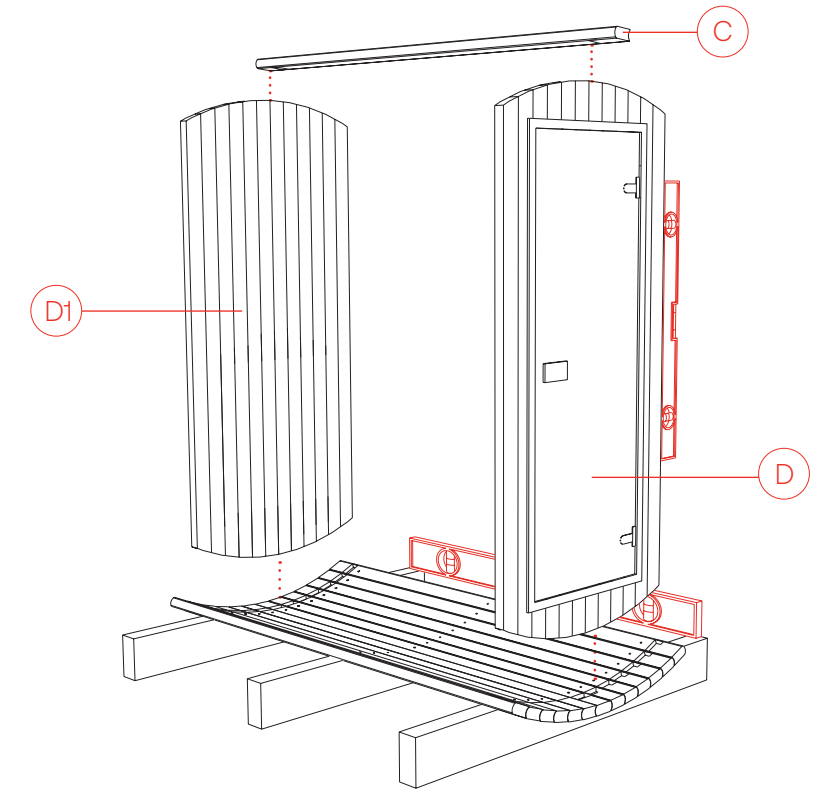
BARRELS

Installation guide

STEP FOUR

Place front panel with sauna doors (D) and rear panel (D1) into the trimmed grooves. Be sure each panel is centered, leveled, and completely seated into the floor panel.

Bind these panels together by temporarily placing one or two body stave (C) on top of them.

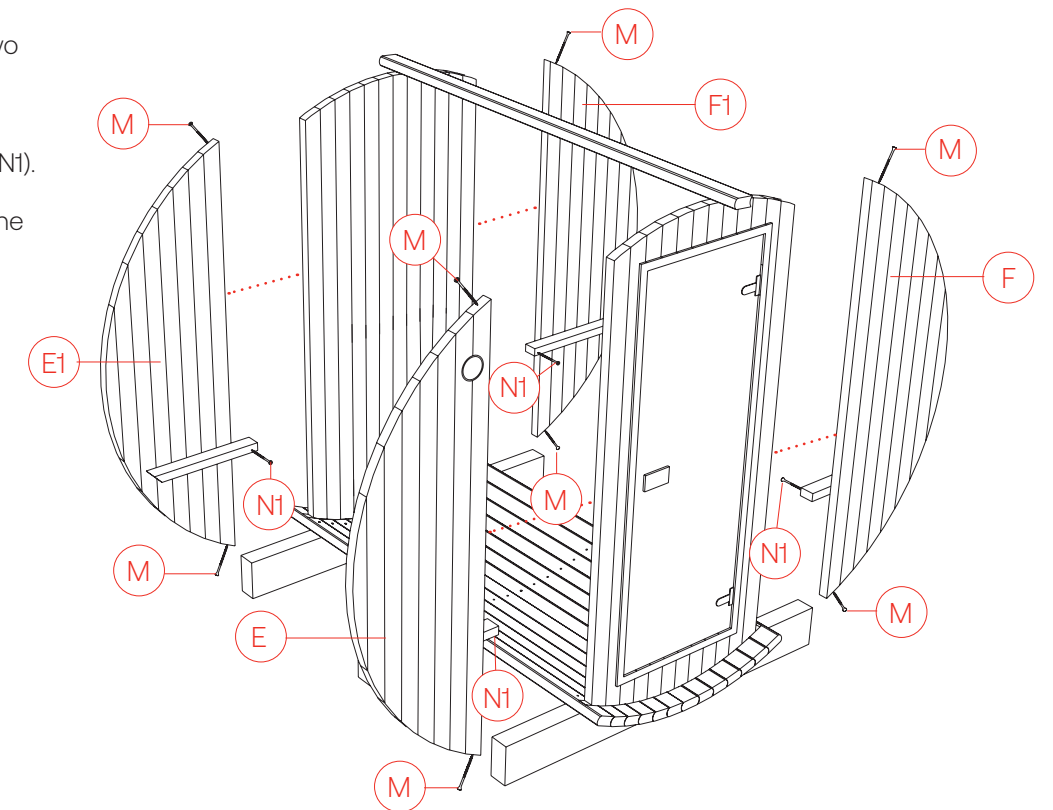


STEP FIVE

Two front side panels (E, F) attach to the front panel (D) and two back side panels (E1, F1) attach to the rear panel (D1) by 4 screws 5.0 x 120 (M) and 4 stainless steel screws 4.20 x 70 (N1).

Be sure the bench supports face the interior of the sauna.

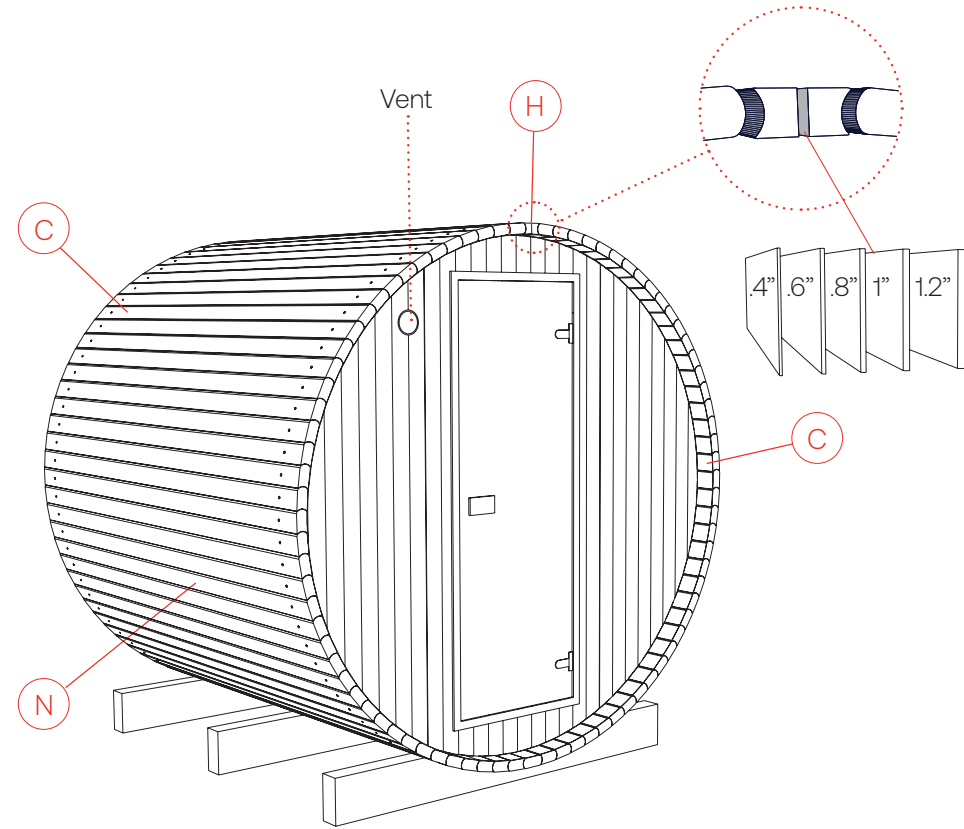
Confirm that the combined width of the rear wall (E1, D1, F1) matches the combined width of the front wall (E, D, F).



STEP SIX

Continue placing body staves (C) tightly on both sides of the sauna using rubber mallet, while fixing body staves on the front panel with 4.2 x 70 screws and rear window panel with 4.0 x 50 screws to prevent glass breakage.

To finish the roof top joint, use top stave (H). Different thickness options are provided to completely fill the gap.



STEP SEVEN

Measure steel bands (I) to ensure correct length of 276,\" +/- 1/2\" is acceptable.

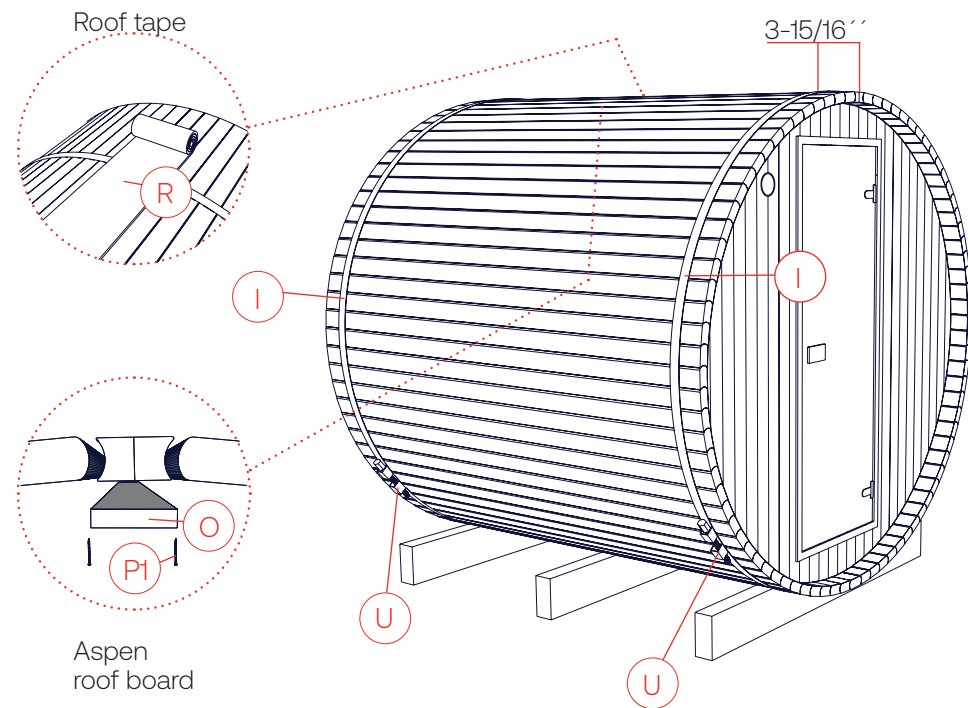
Install steel bands (I) by wrapping bands around barrel prior to connecting with bolts and nuts (U).

Place steel bands evenly around barrel, covering screw heads.

Measure from steel band to barrel edge to ensure the steel band is even.

Cover roof with roof tape. Rub and smooth with pressure to ensure adhesion.

Install interior aspen roof trim (O) with 4.0 x 50 (P1) stainless steel screws.

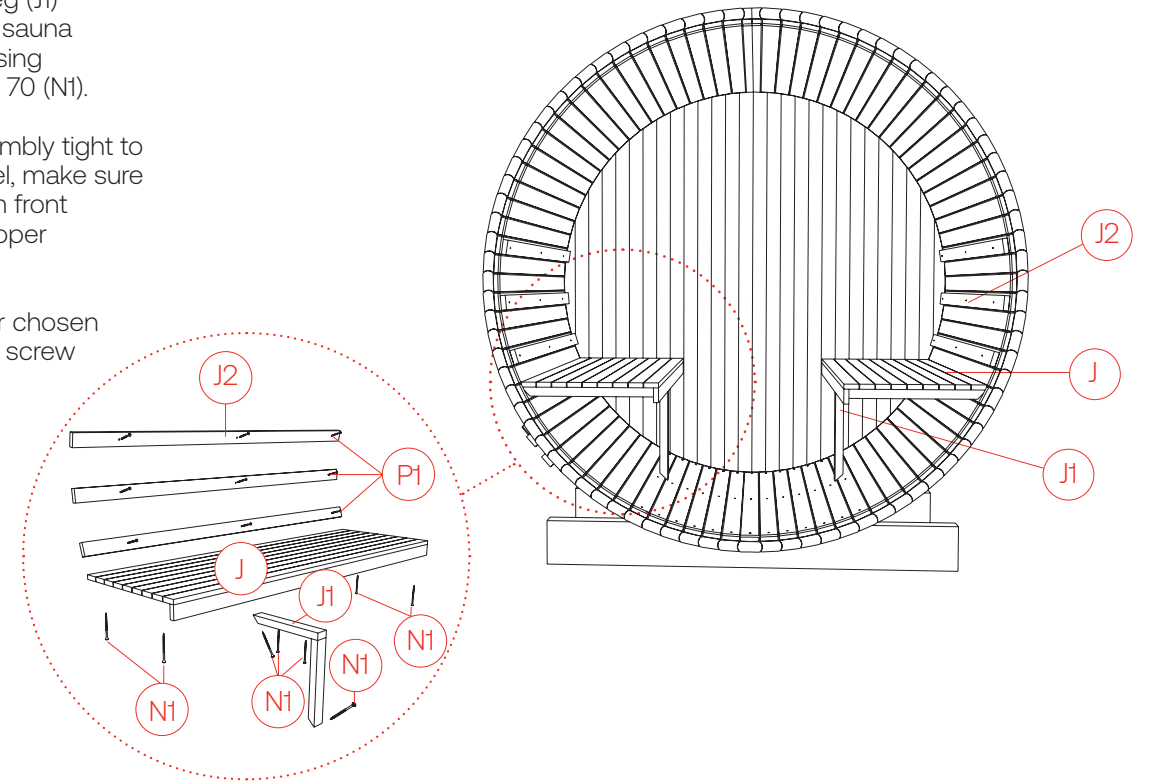


STEP EIGHT

Attach bench supporting leg (J1) to the bench (J), install two sauna benches on wall mounts using stainless steel screws 4.2 x 70 (N1).

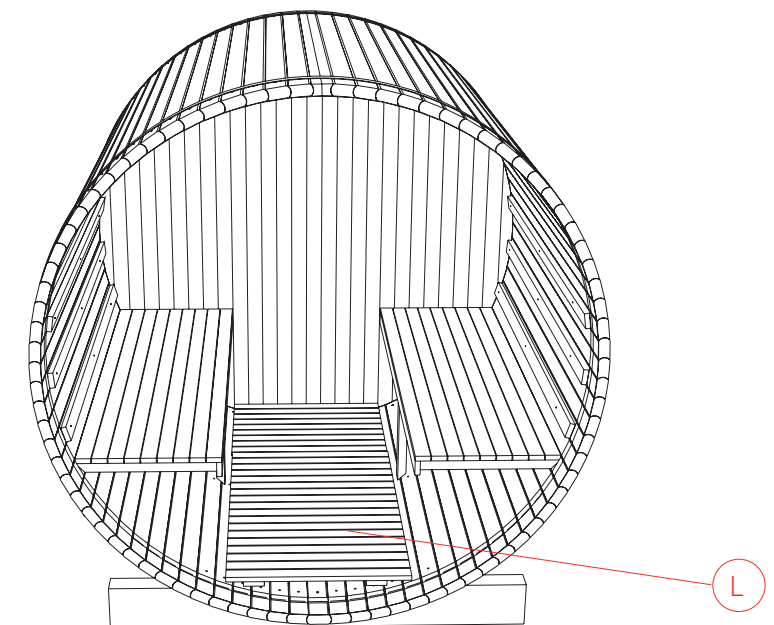
Hold the seat and leg assembly tight to the sauna wall. Using a level, make sure the bench seat is level from front to back. This will ensure proper placement.

Install backrests (J2) at your chosen height using stainless steel screw 4.0 x 50 (P1).



STEP NINE

Wire raceways (V) and flooring duckboards (L) can be used for wiring runs, confirm specific wiring runs needed for chosen stove.

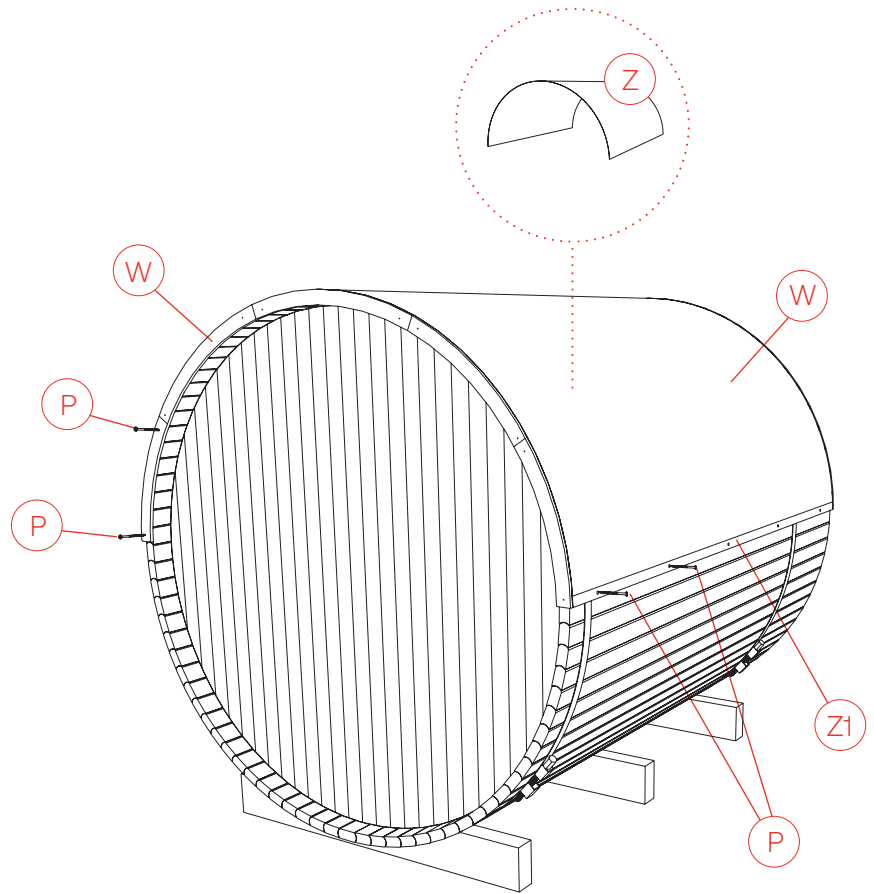


STEP TEN

Place waterproof roof cover (Z) and fix it with wooden slat (Z1) and screws 4.0 x 50 (P).

Install front and rear decorative roof finishing boards (W), fixing by screws 4.0 x 50 (P).

WATCH THE VIDEO



SEE HOW ASSEMBLY WILL LOOK [HERE](#).



Salus Saunas

7345 164th Ave NE
Suite 145-395
Redmond, WA 98052

sales@salussaunas.com
service@salussaunas.com

SALUS  SAUNAS



THERMORY
LEAVE A LASTING IMPACT