

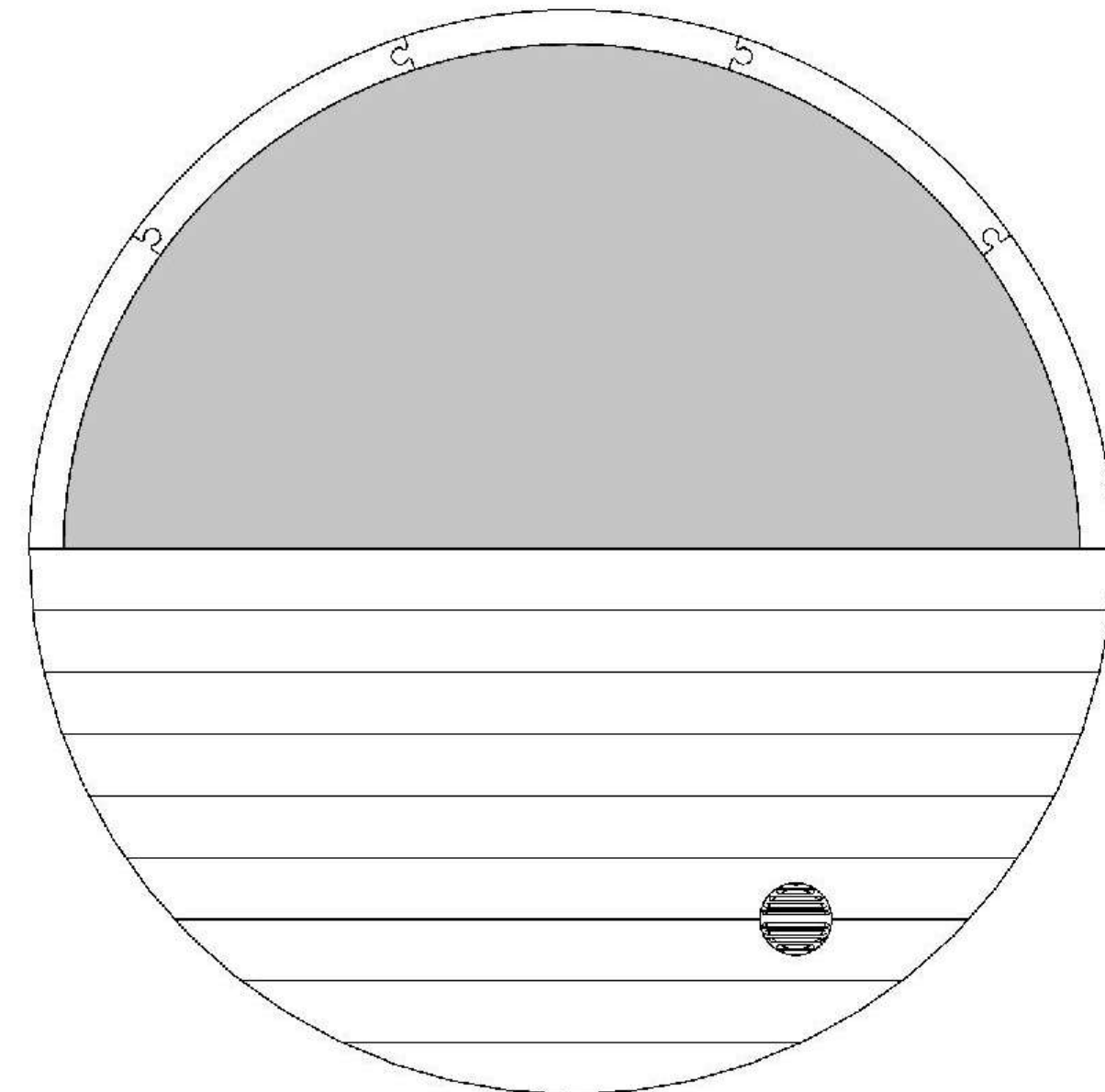
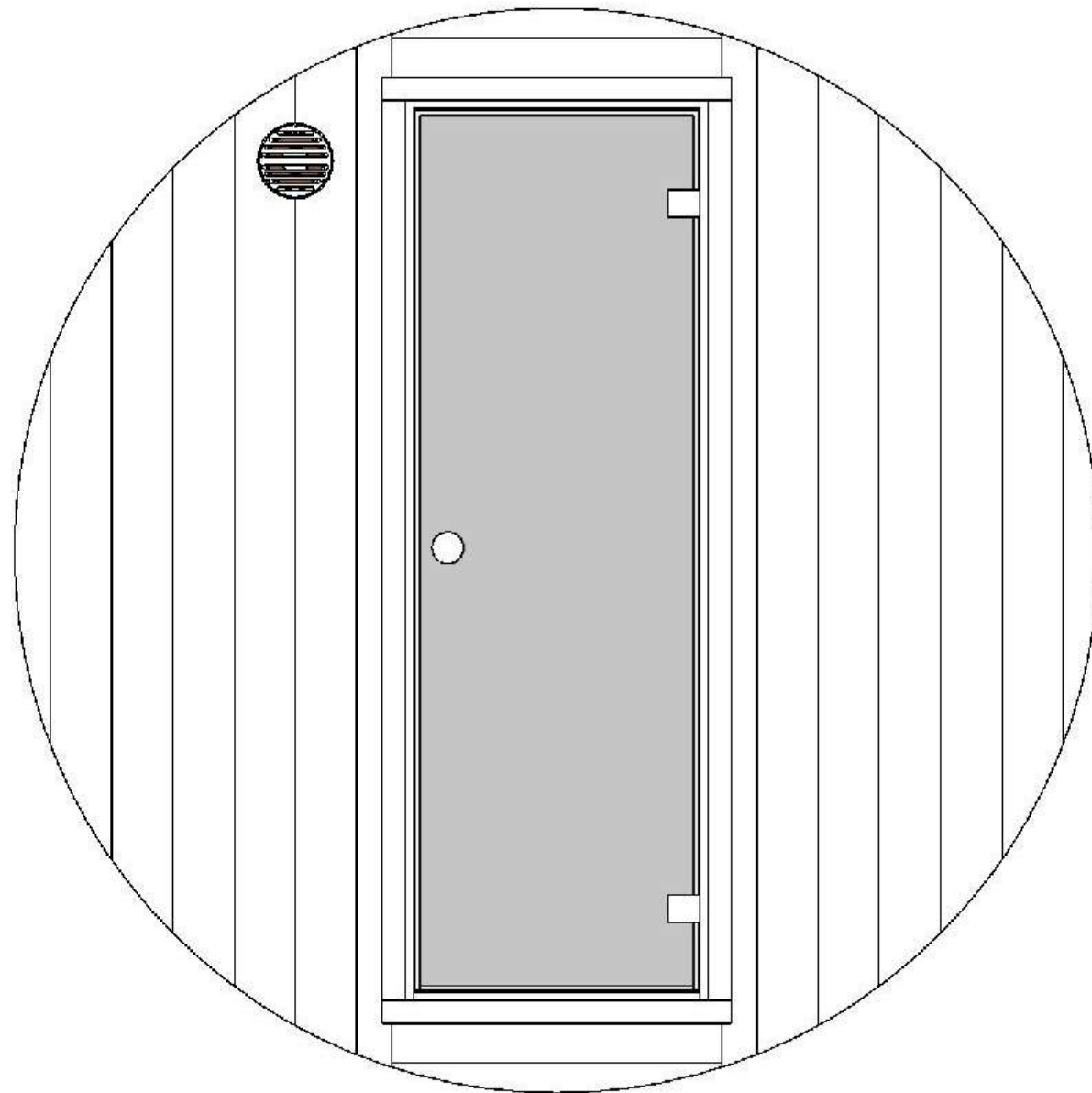


Compass with Window 2 - 4 Person Barrel Sauna

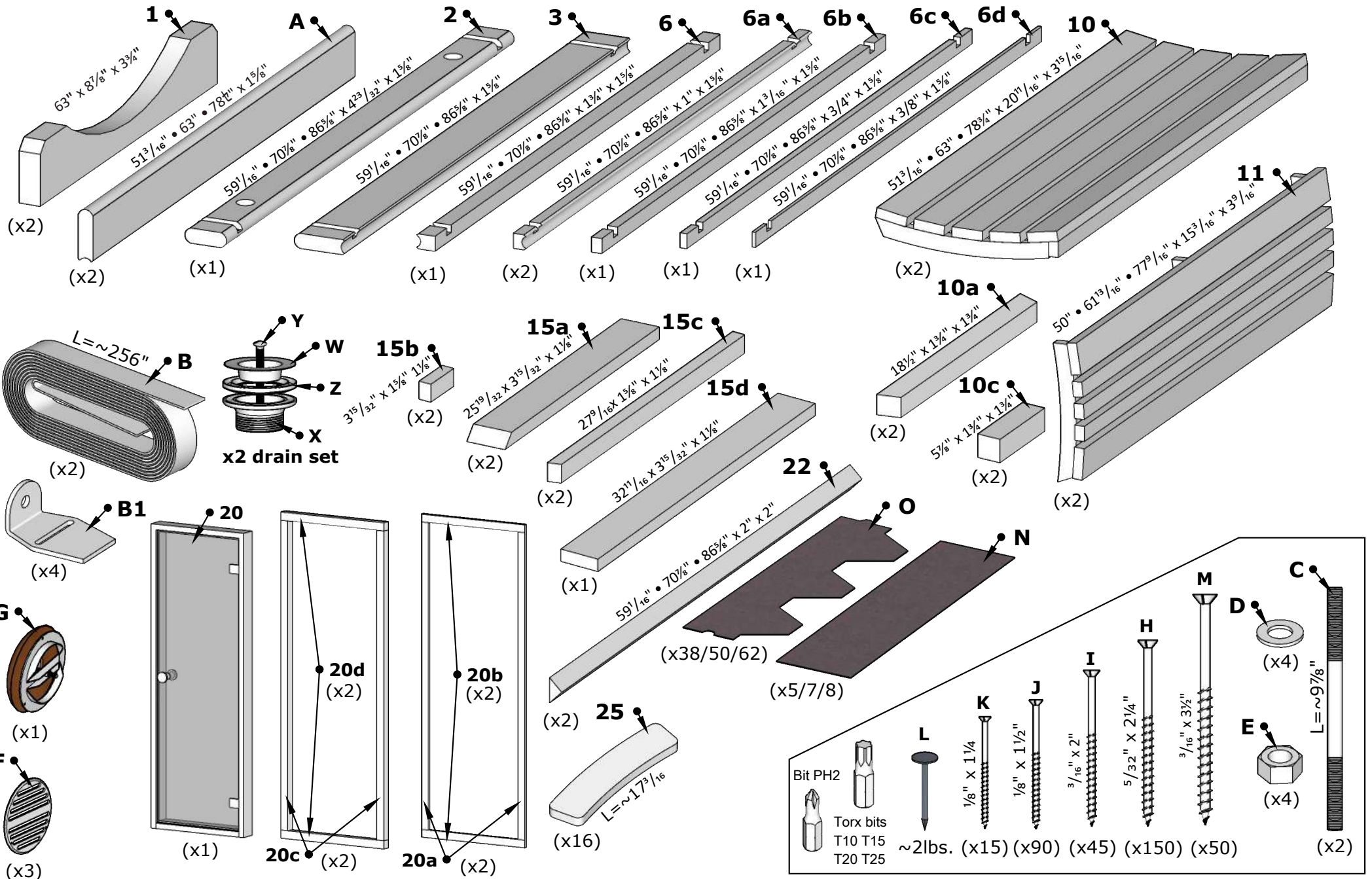
OWNER'S MANUAL

WARNING! Do not place anything combustible close to heater, above the heater, and on both sides of the heater. This includes but not limited to towels, lights, robe hooks, accessories, etc. Nothing should be on the same wall as your heater that is combustible.

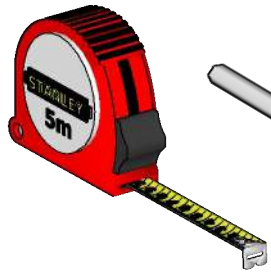
Front & Back Walls



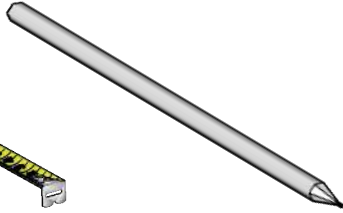
COMPASS W/VISTA WINDOW Barrel Sauna 59D" x 81H"



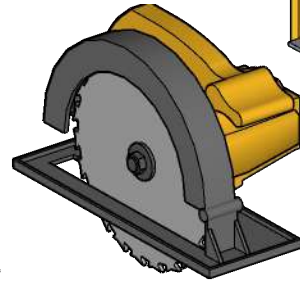
Tools needed



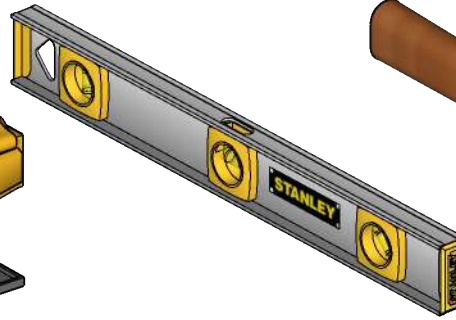
Measuring tape



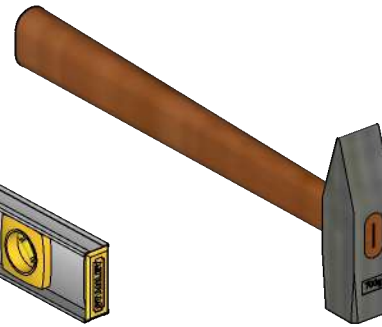
Marker pen



Circular saw



Water level



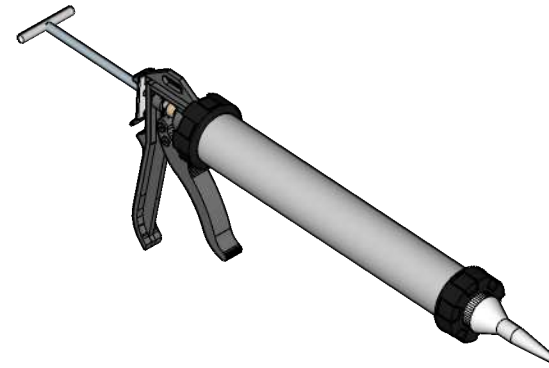
Hammer



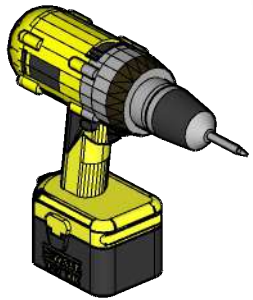
Extra hands



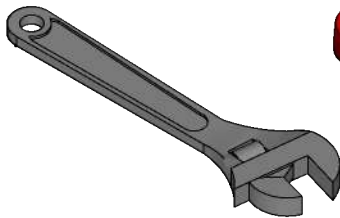
Ratchet strap



Silicone gun
(Only glass-wall models)



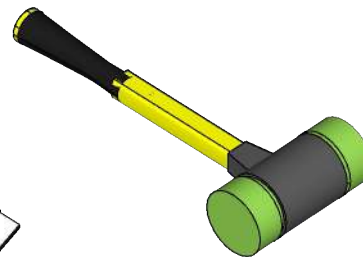
Drill



Crescent wrench

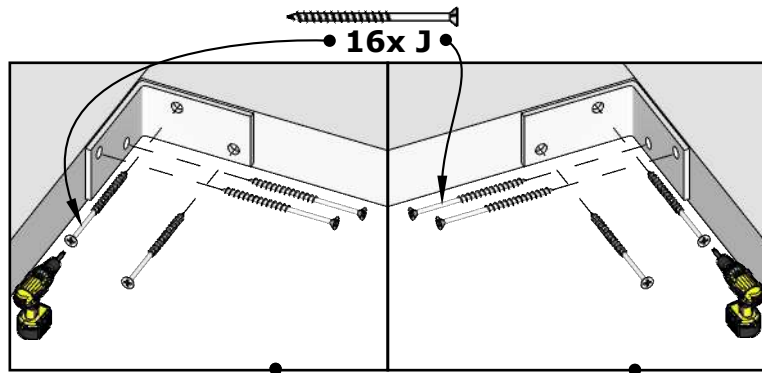
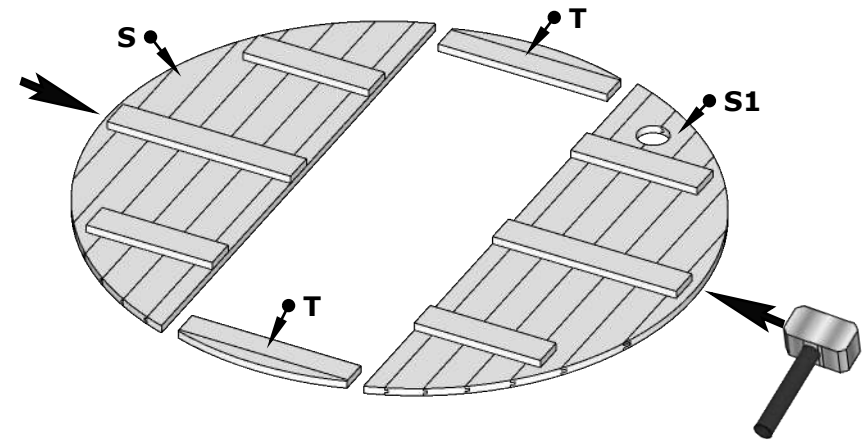
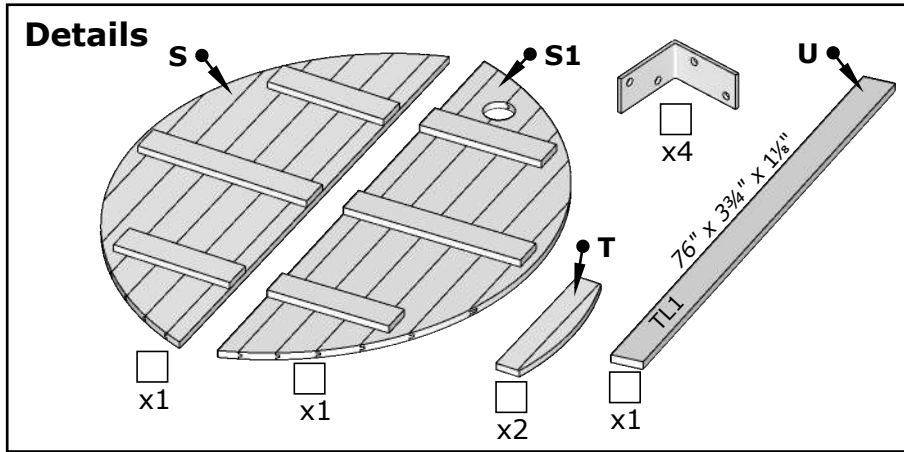


Utility knife

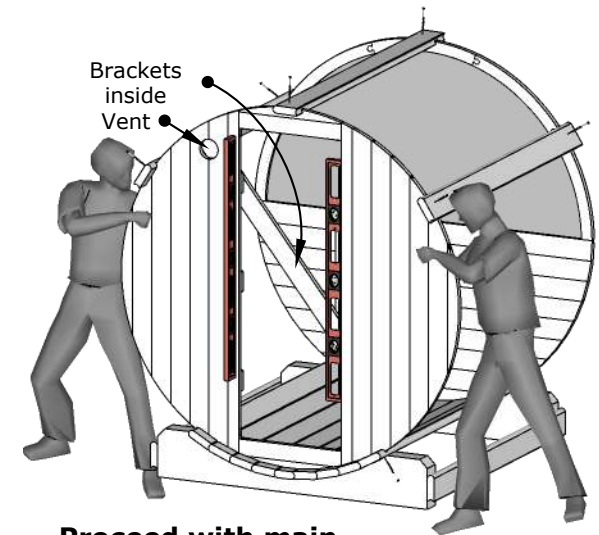
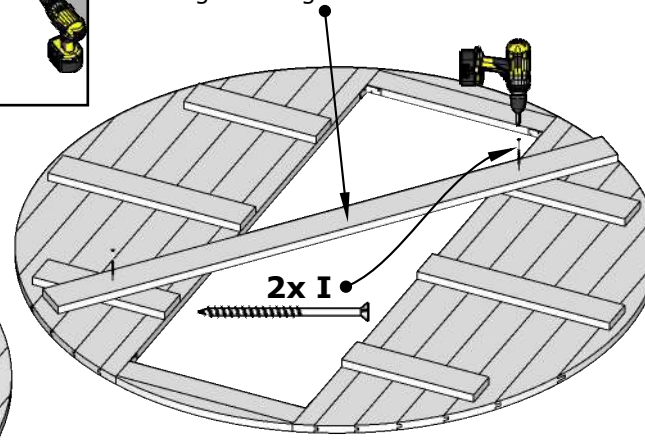


Rubber mallet

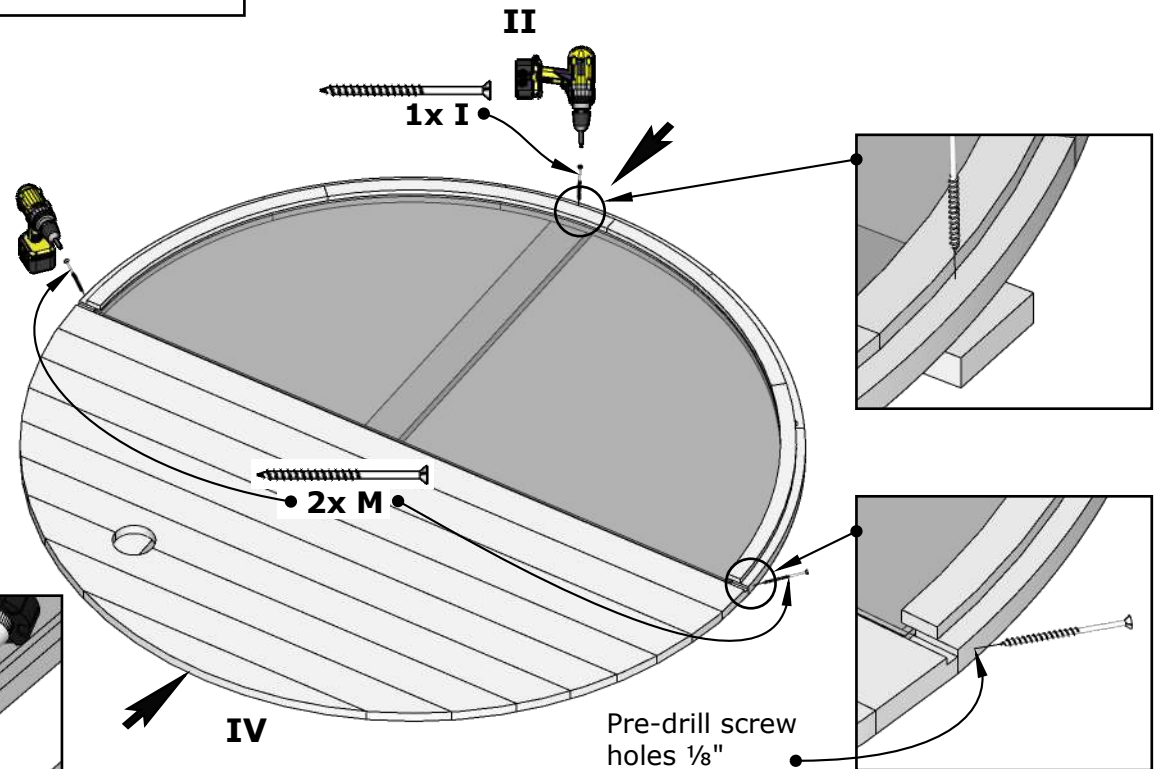
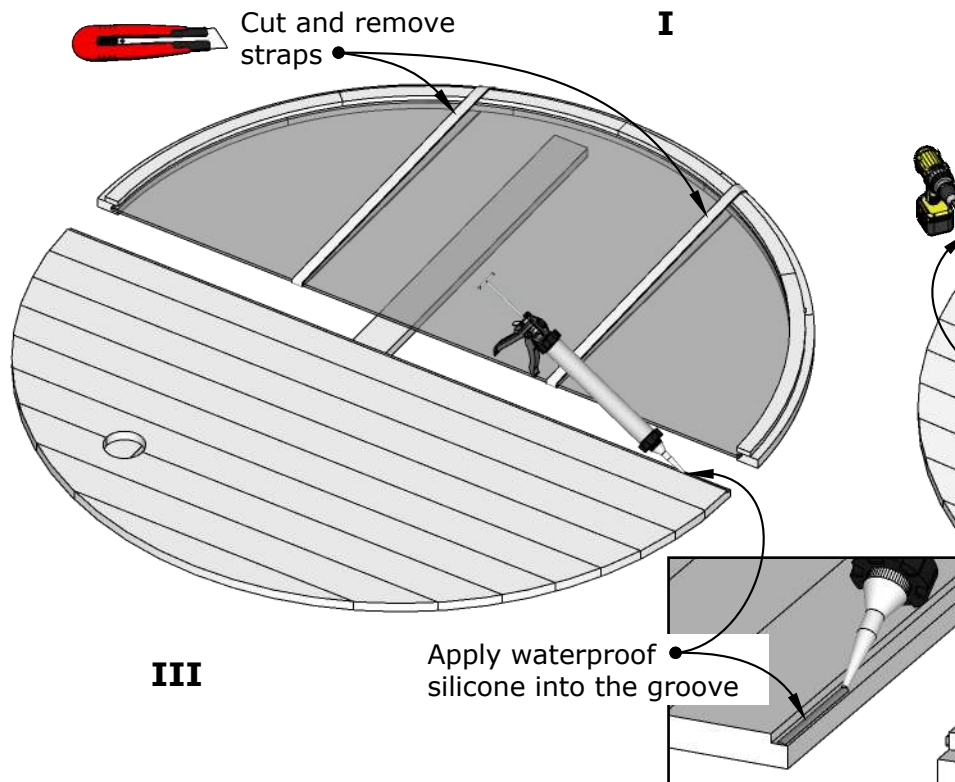
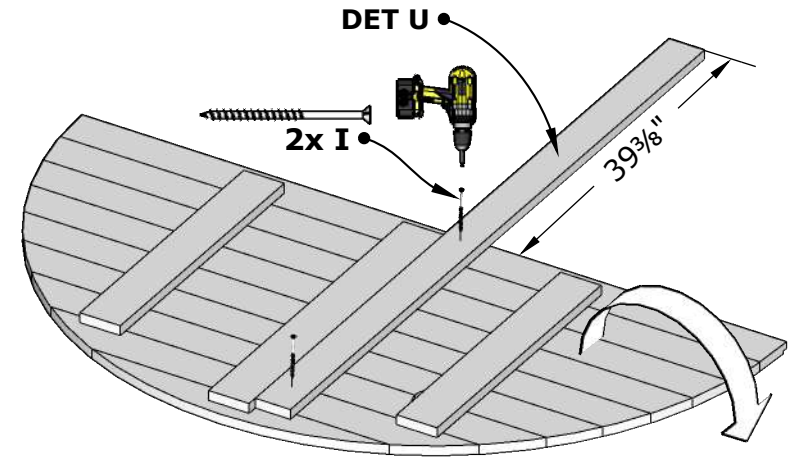
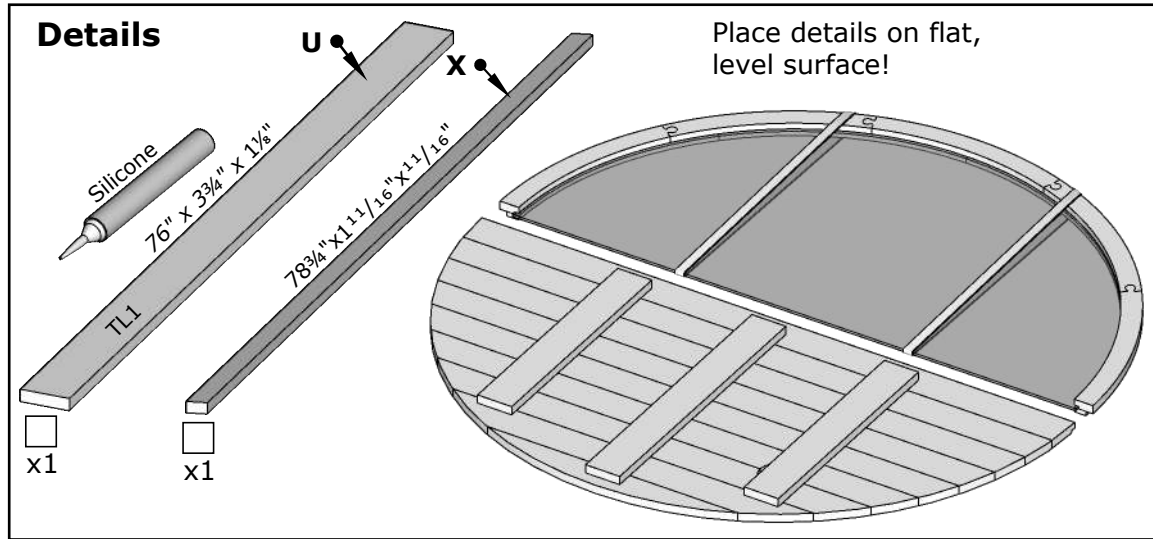
Wooden front wall installation



DET U Fix it diagonally to make wall more rigid during the installation.

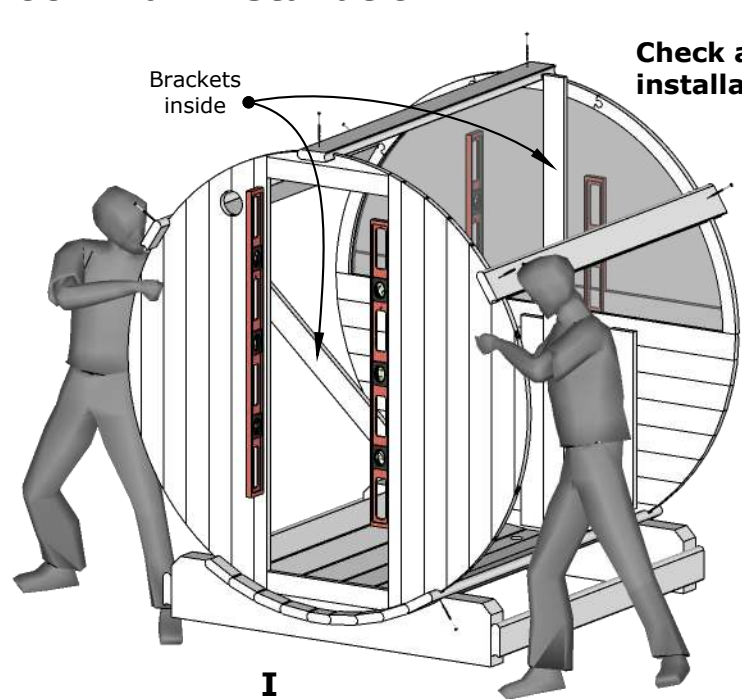


Half-moon wall installation

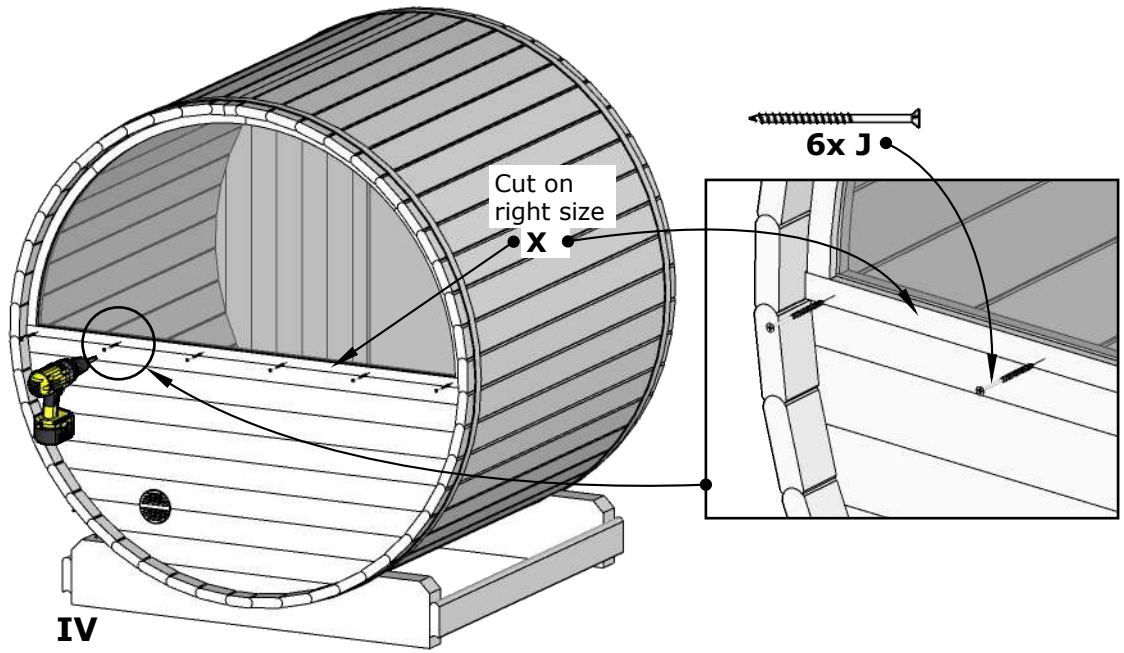
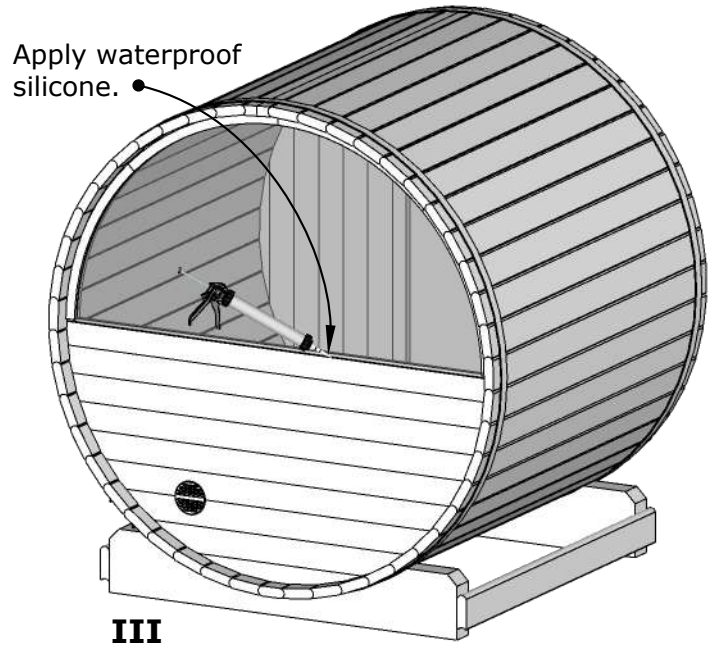
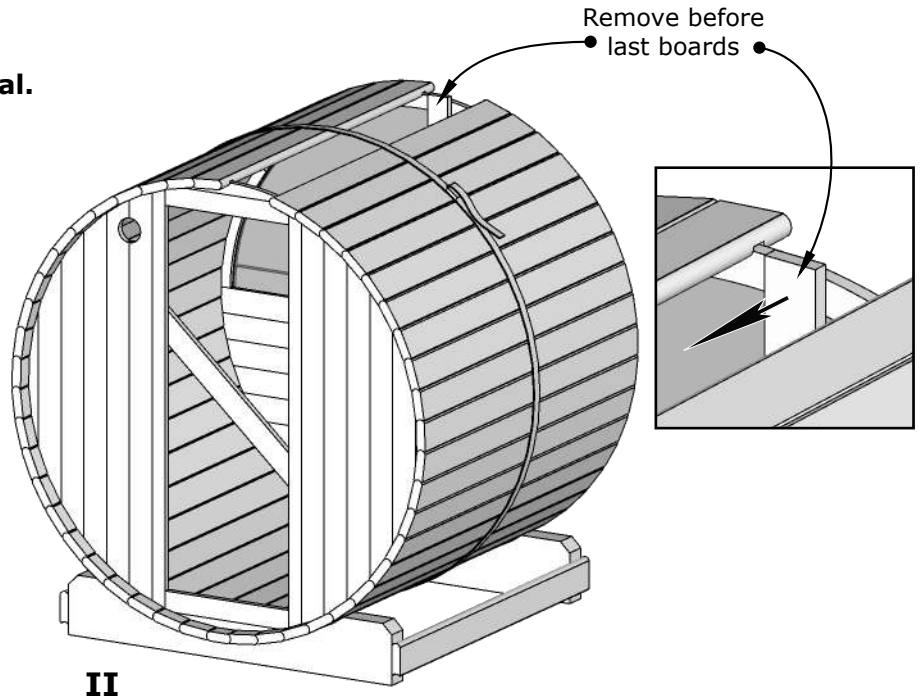


WARNING: Do not let screws touch glass!

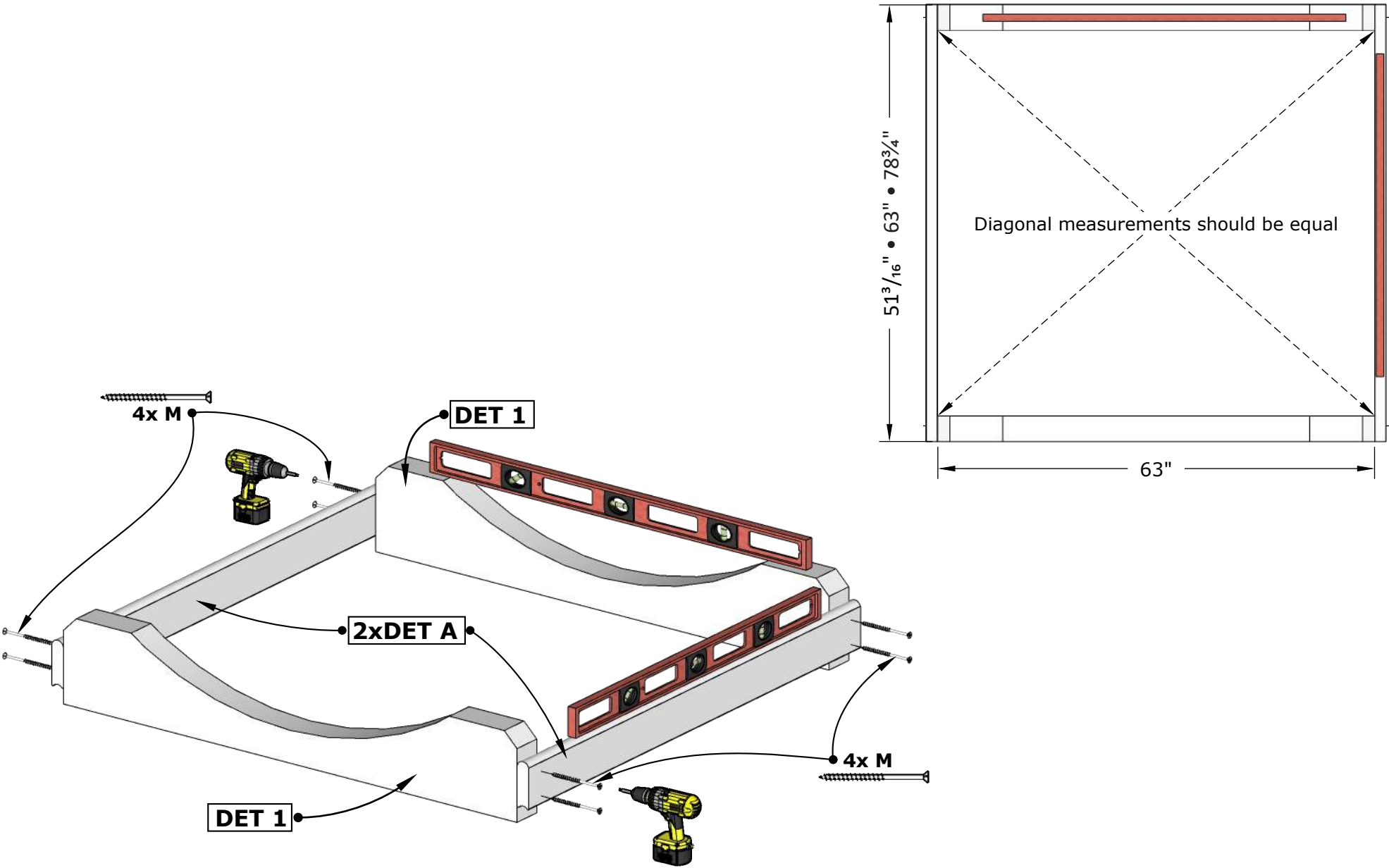
Half-moon wall installation



Check also main installation manual.

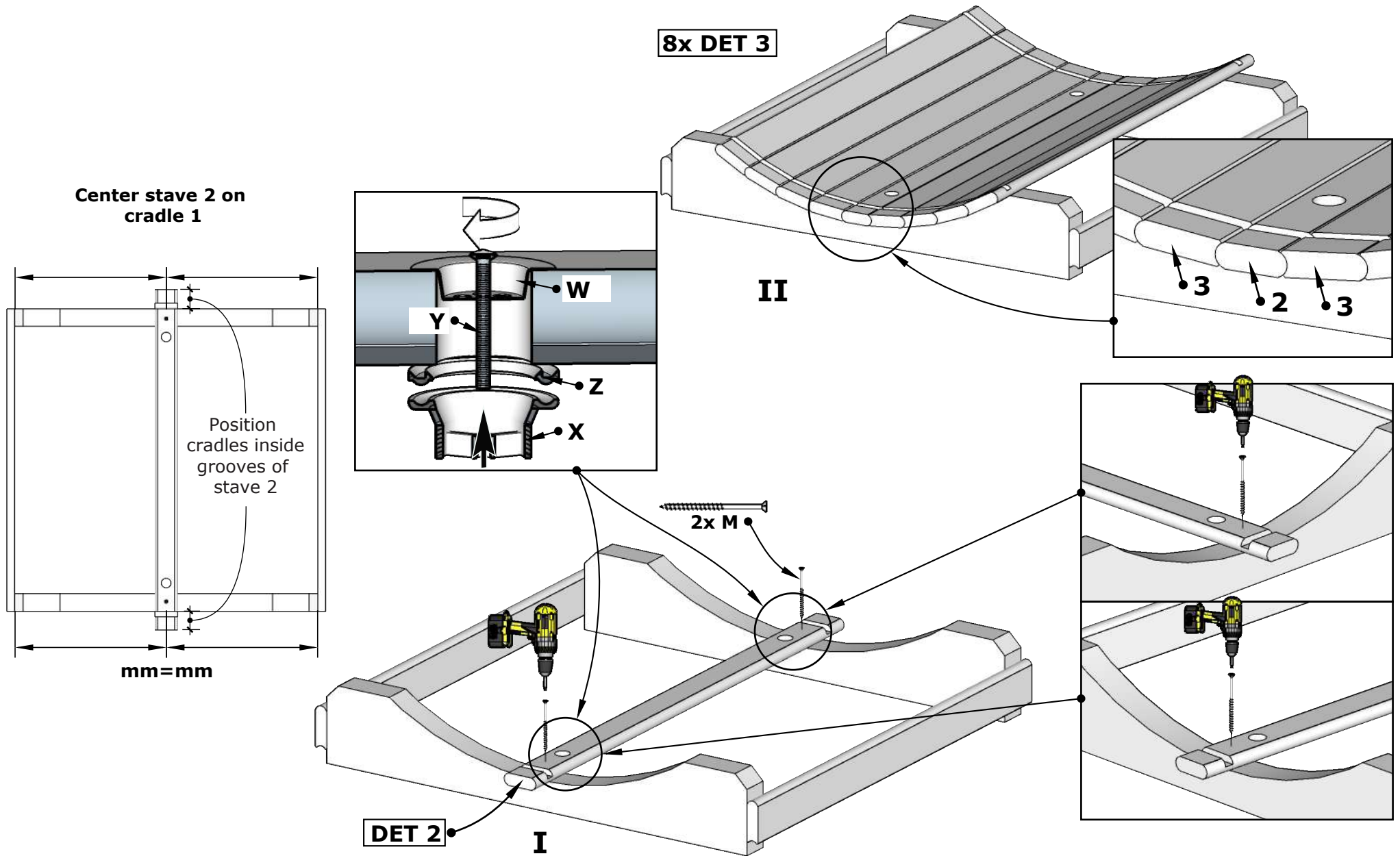


COMPASS W/VISTA WINDOW Barrel Sauna 59D" x 81H"

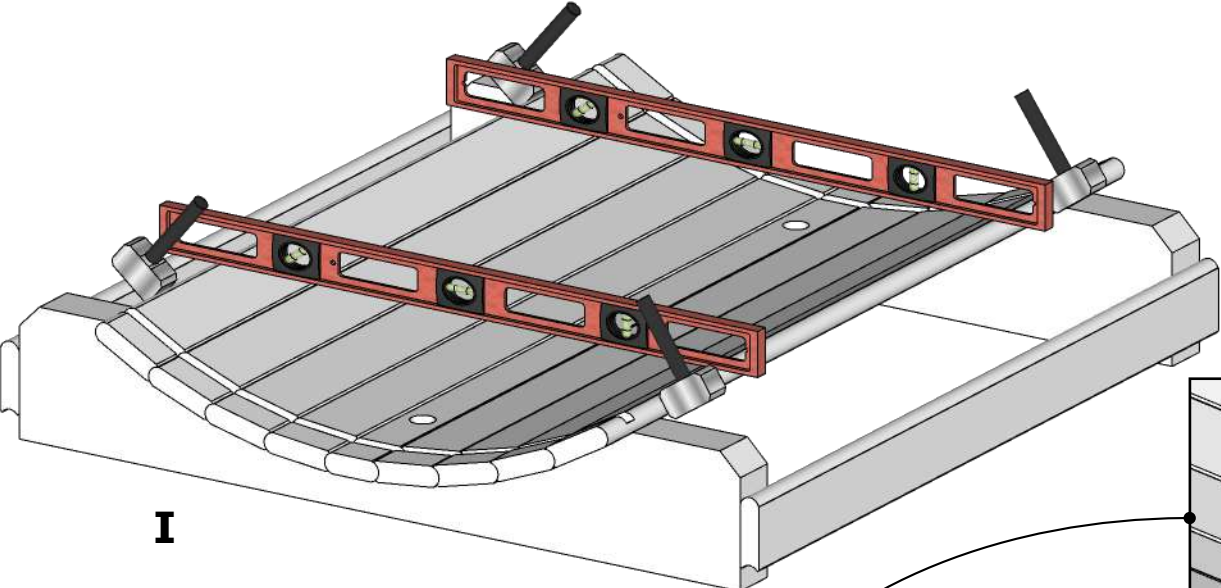


1.

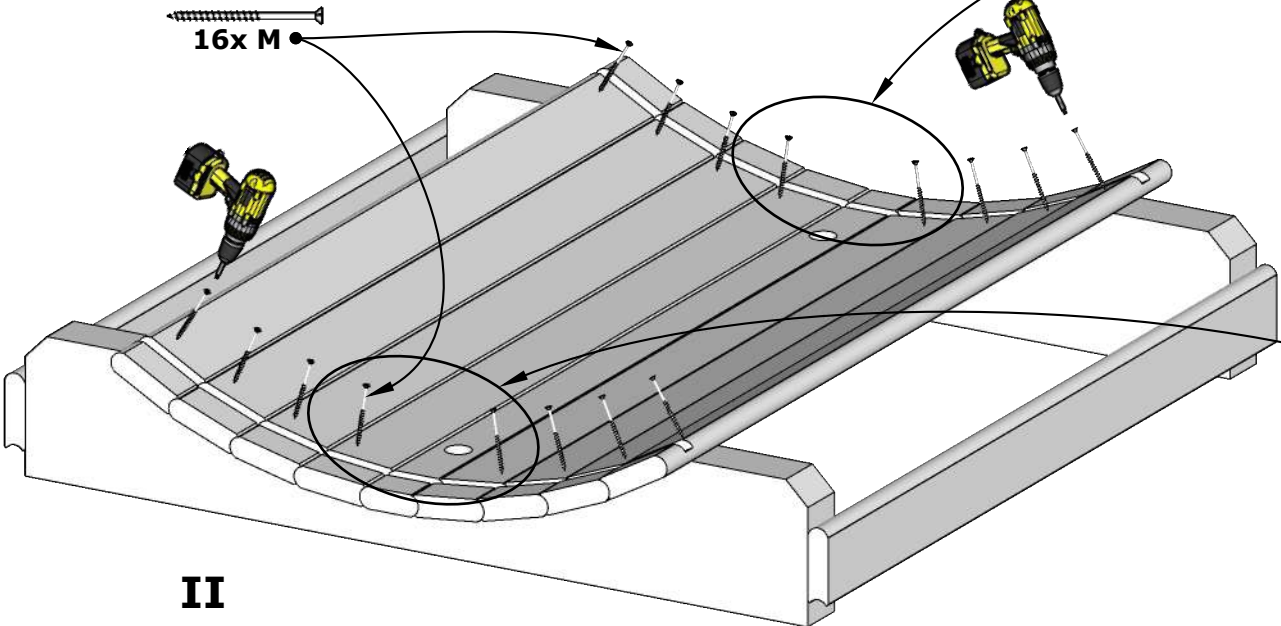
COMPASS W/VISTA WINDOW Barrel Sauna 59D" x 81H"



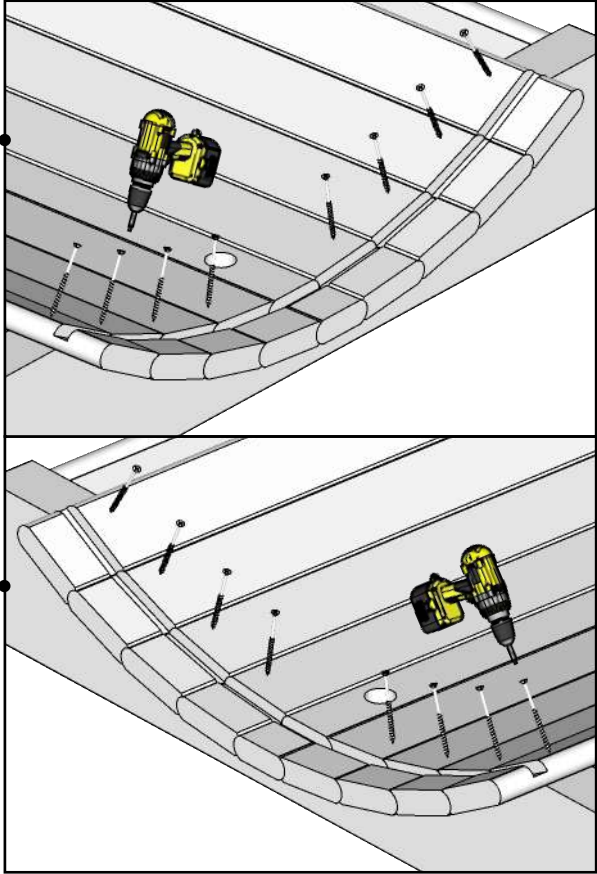
COMPASS W/VISTA WINDOW Barrel Sauna 59D" x 81H"



I

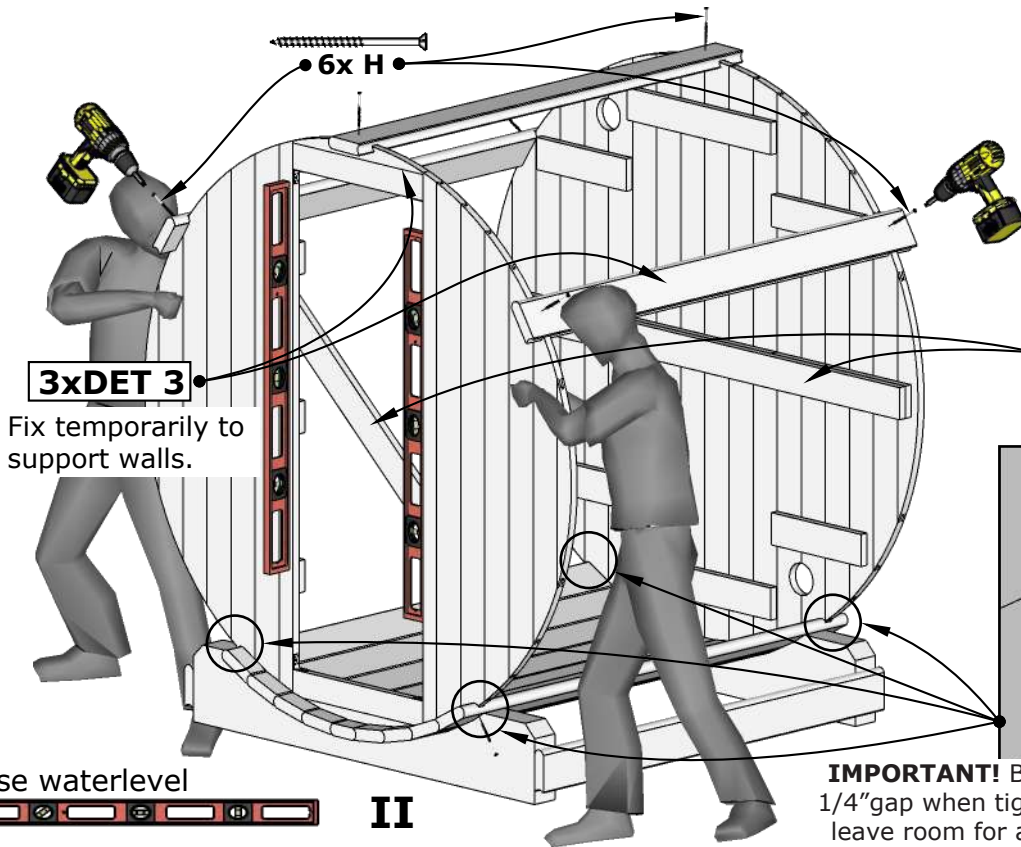
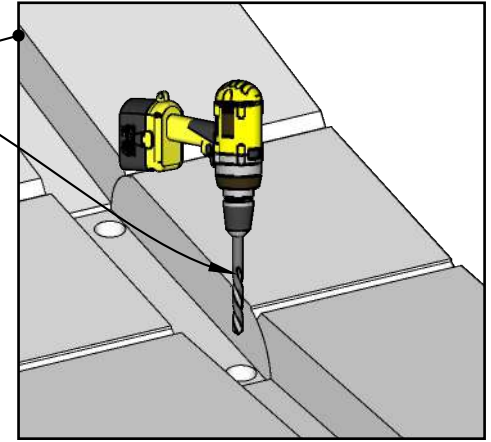
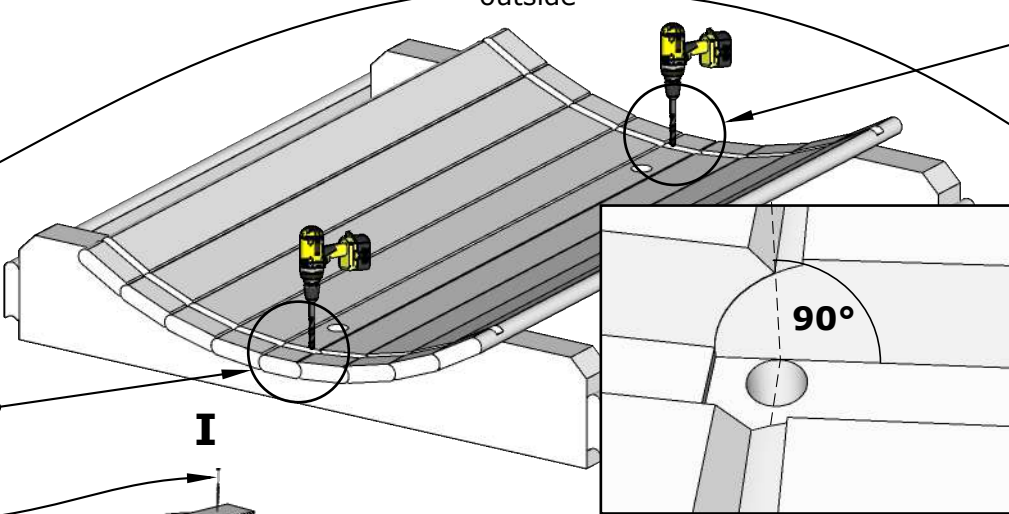
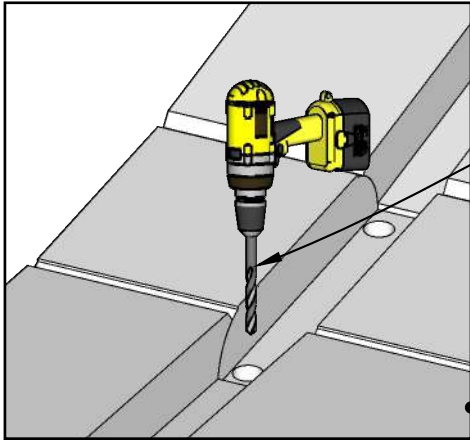


II



COMPASS W/VISTA WINDOW Barrel Sauna 59D" x 81H"

Drill 4 holes $\varnothing 1/2"$
through DET 2
outside

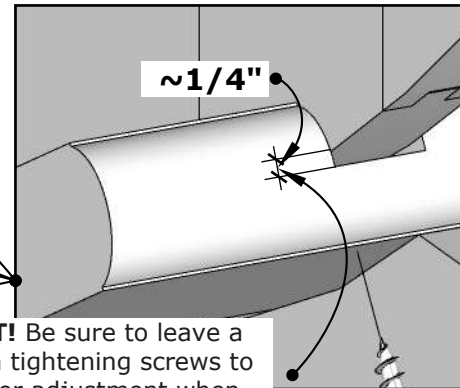
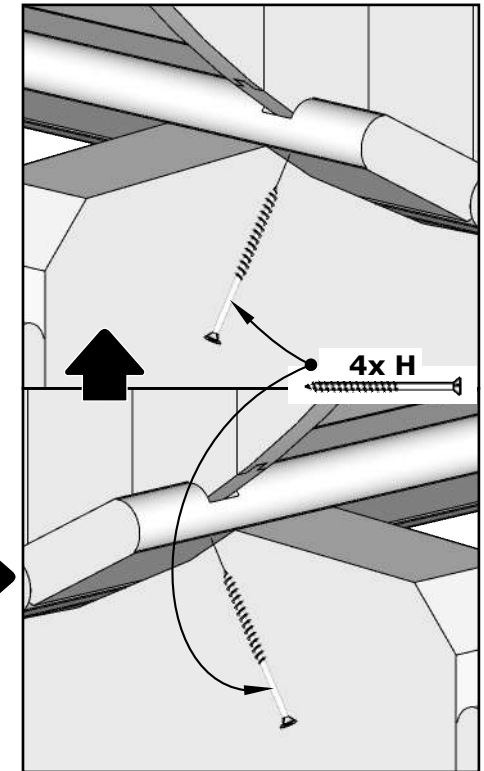


3xDET 3
Fix temporarily to
support walls.

**Check walls installation
manual on extra pages!**

**Sauna wall configuration
depends on Your model!**

Brackets inside

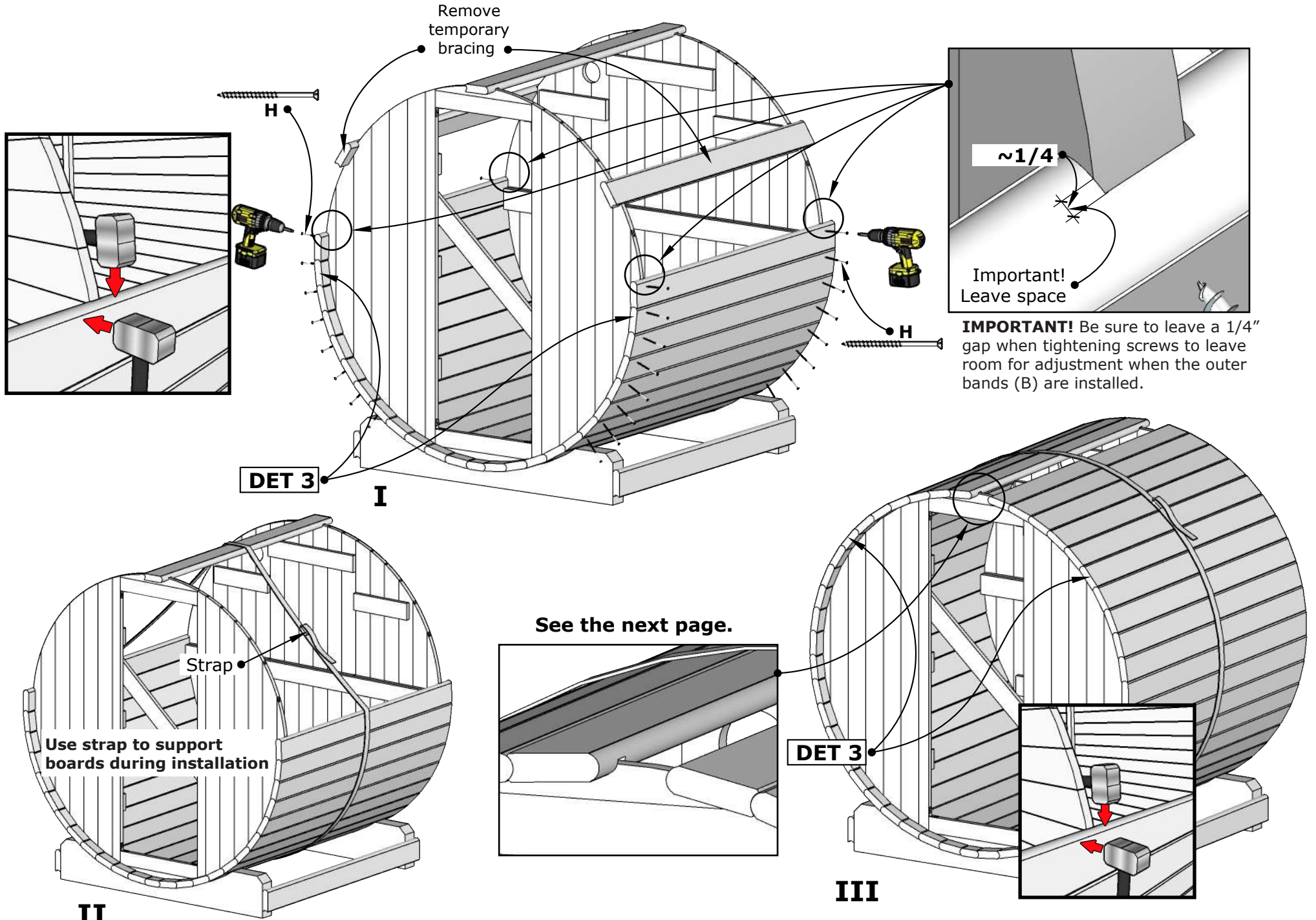


IMPORTANT! Be sure to leave a
 $1/4"$ gap when tightening screws to
leave room for adjustment when
the outer bands (B) are installed.

Use waterlevel

II

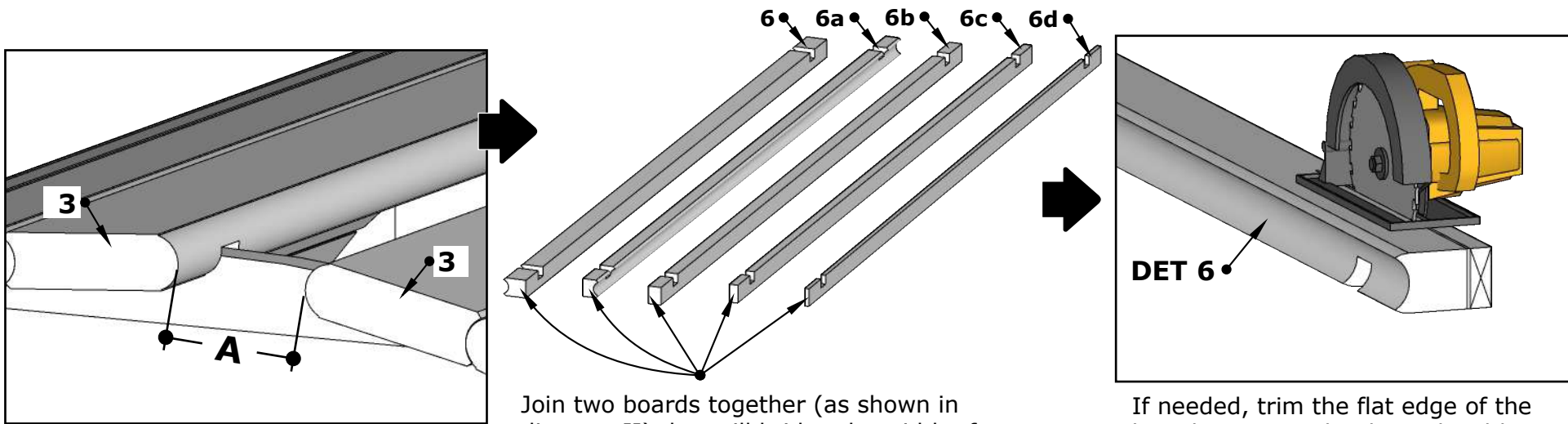
COMPASS W/VISTA WINDOW Barrel Sauna 59D" x 81H"



5.

II

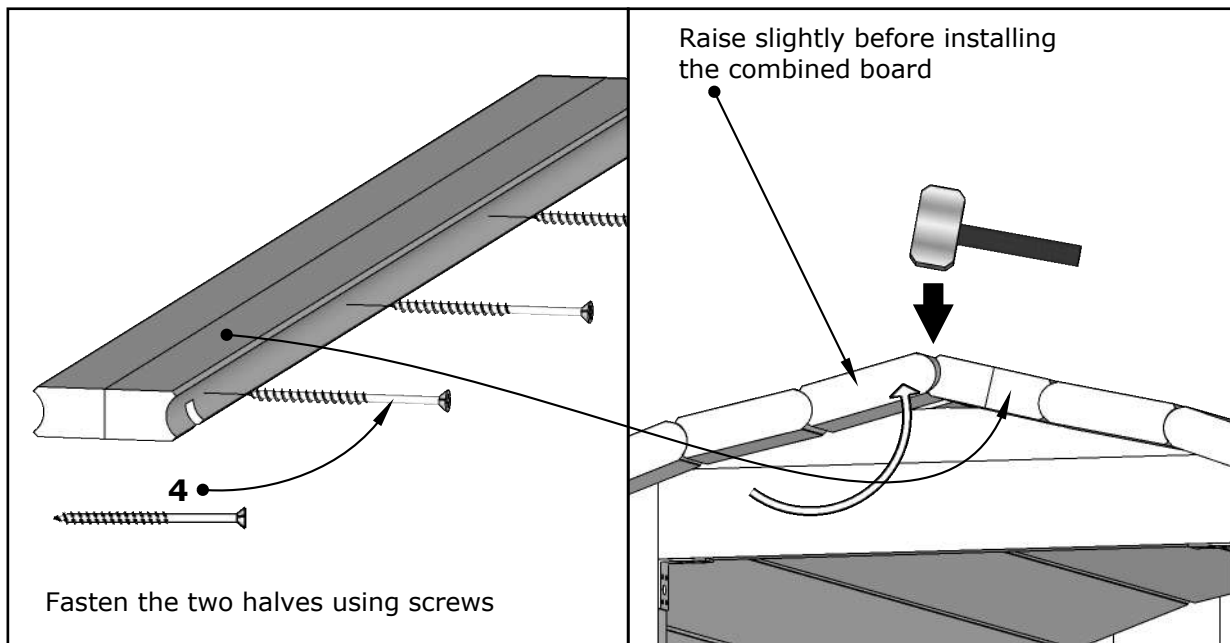
COMPASS W/VISTA WINDOW Barrel Sauna 59D" x 81H"



I

Join two boards together (as shown in diagram II) that will bridge the width of the "A" gap. It is recommended that the combined boards are approximately 1/4" wider than the gap.

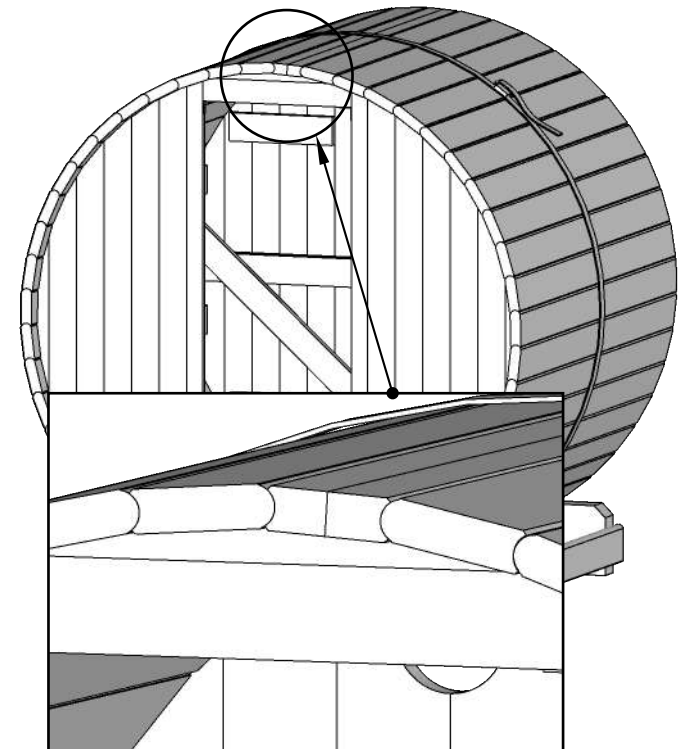
If needed, trim the flat edge of the board to create the desired width.



Fasten the two halves using screws

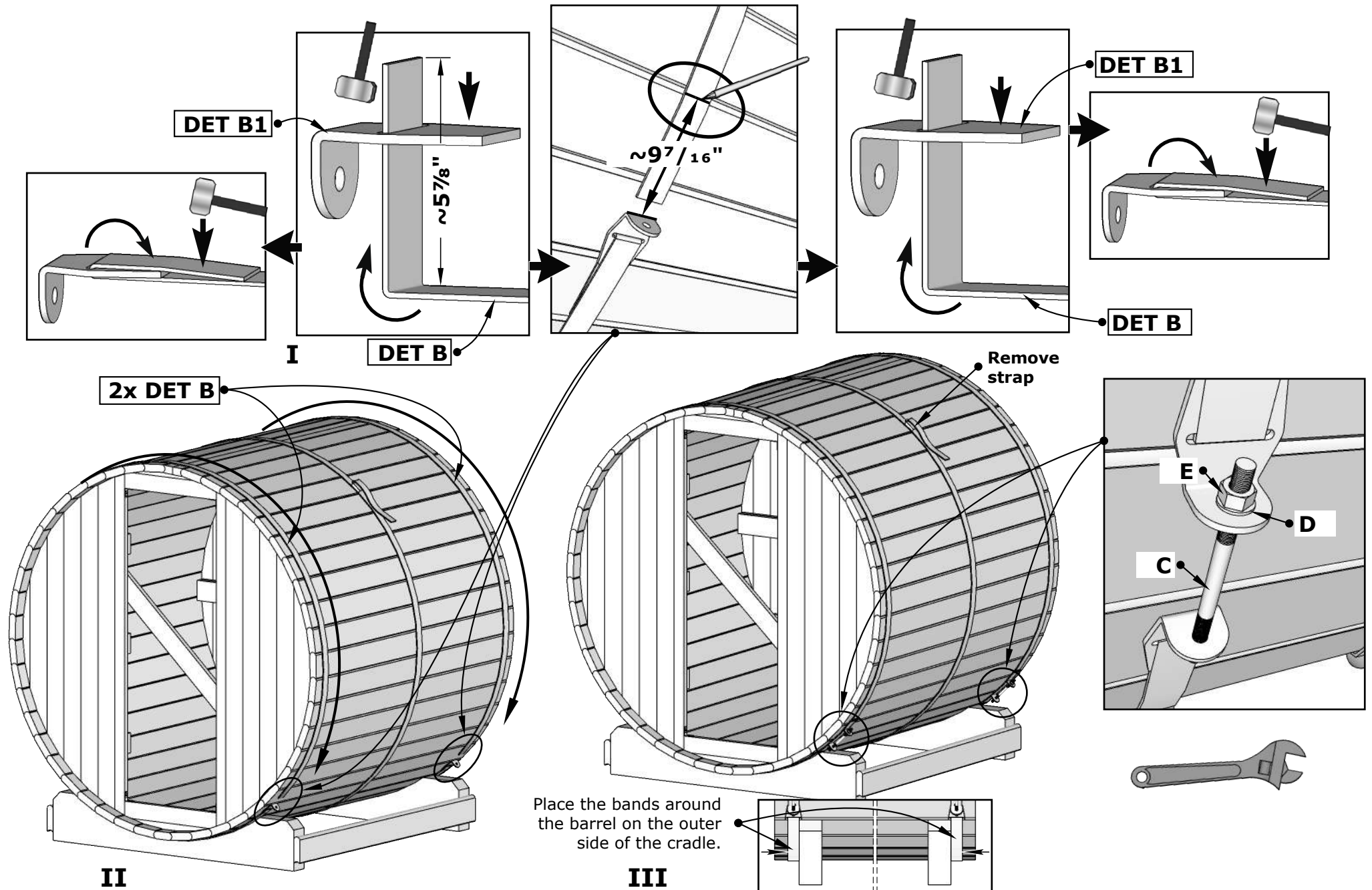
Raise slightly before installing the combined board

II



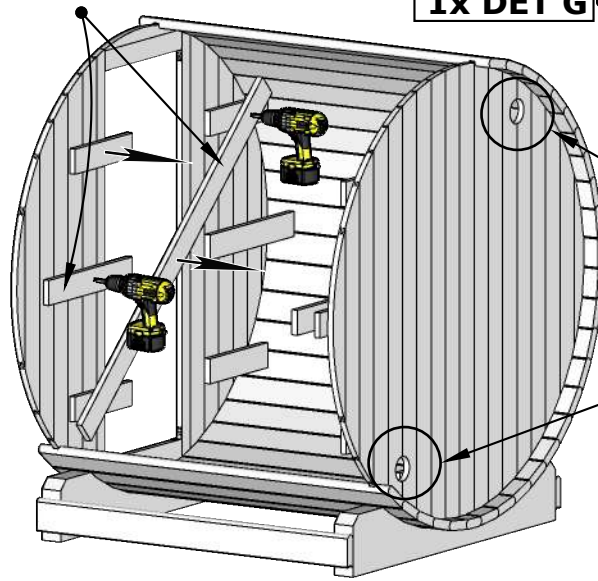
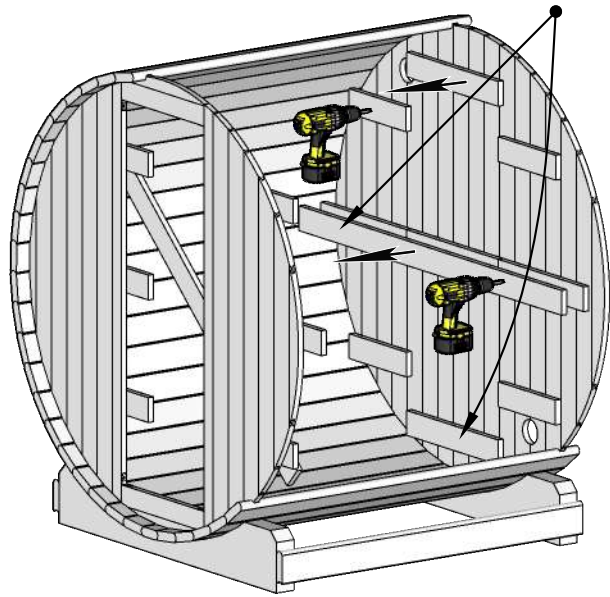
III

COMPASS W/VISTA WINDOW Barrel Sauna 59D" x 81H"

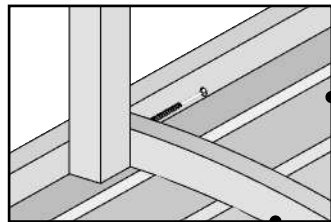
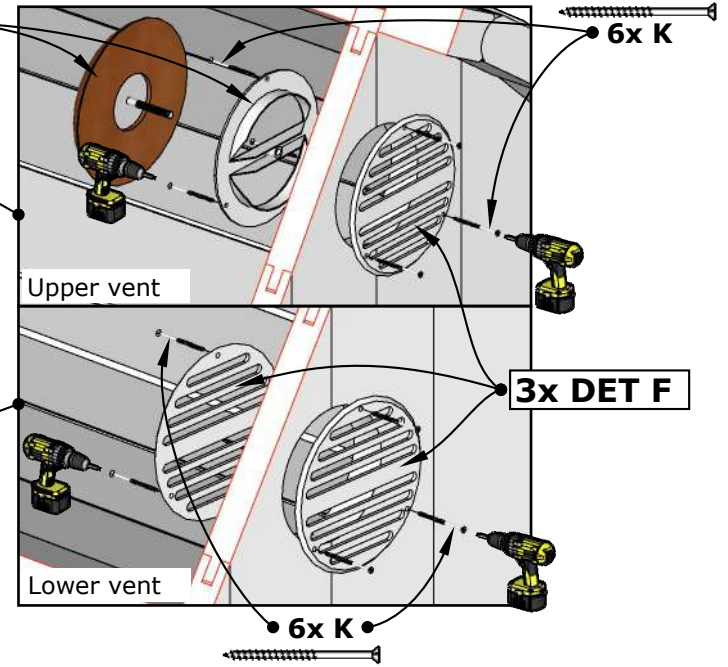


COMPASS W/VISTA WINDOW Barrel Sauna 59D" x 81H"

Remove all temporary braces



1x DET G



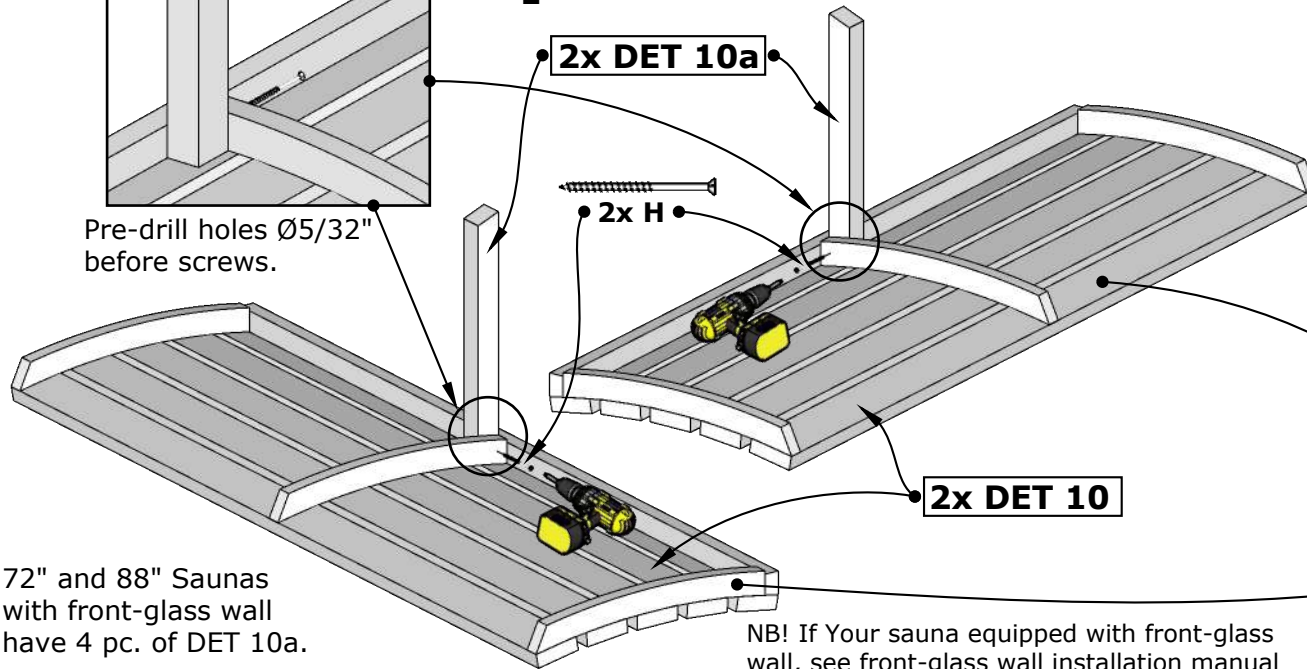
Pre-drill holes $\text{Ø}5/32''$ before screws.

I

2x DET 10a

2x H

2x DET 10

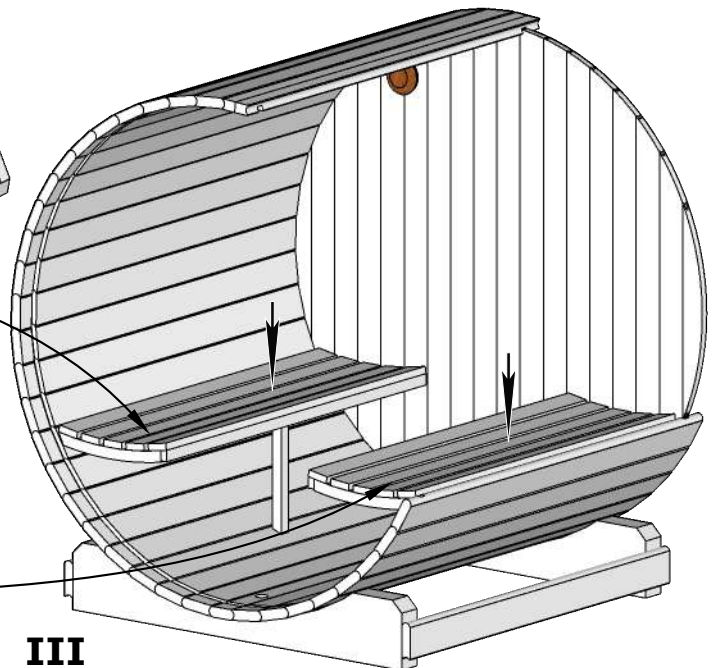


72" and 88" Saunas with front-glass wall have 4 pc. of DET 10a.

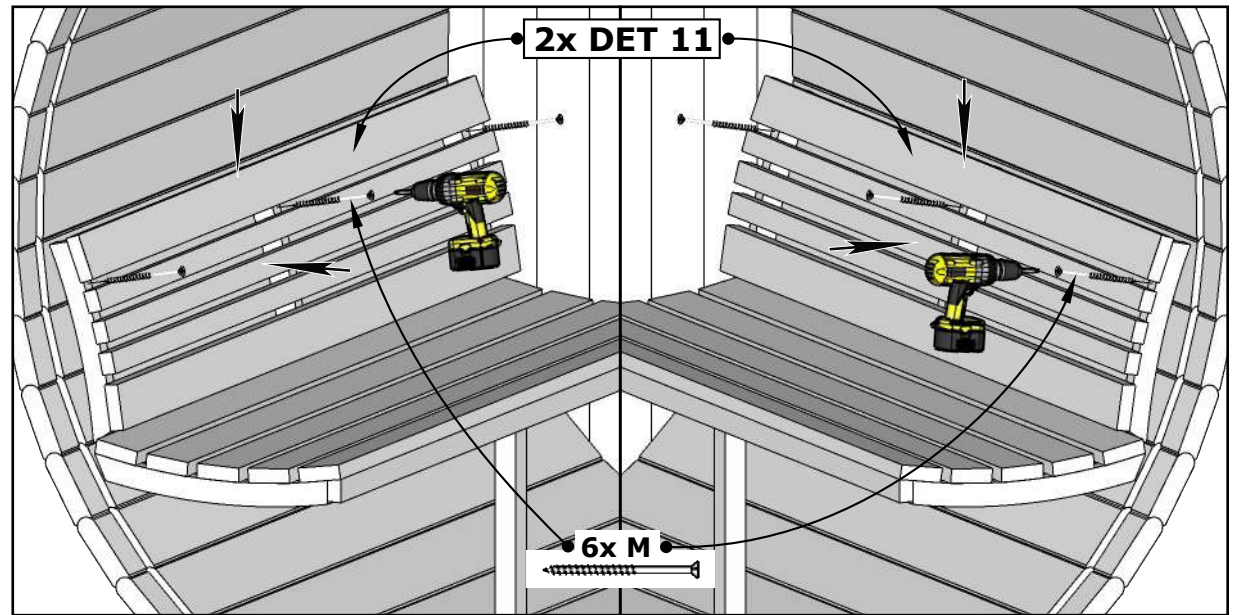
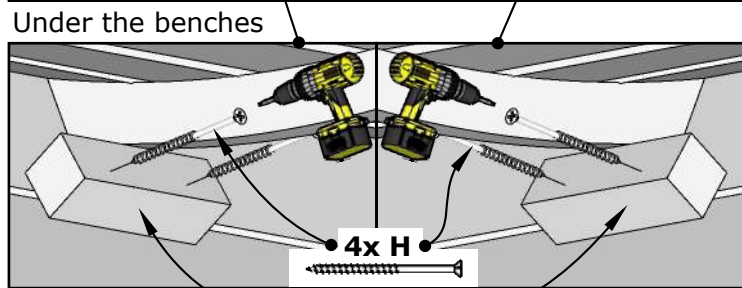
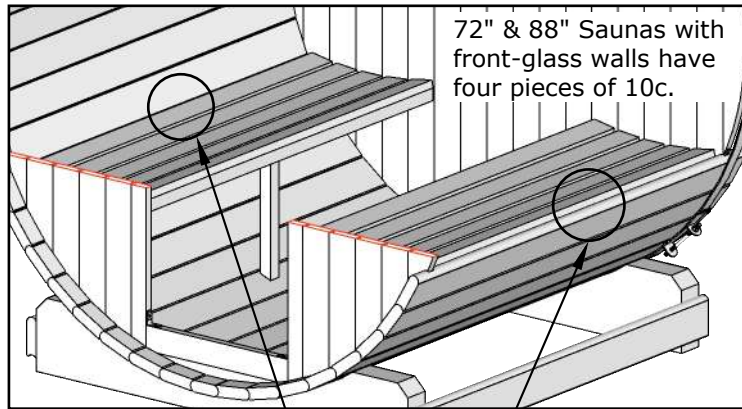
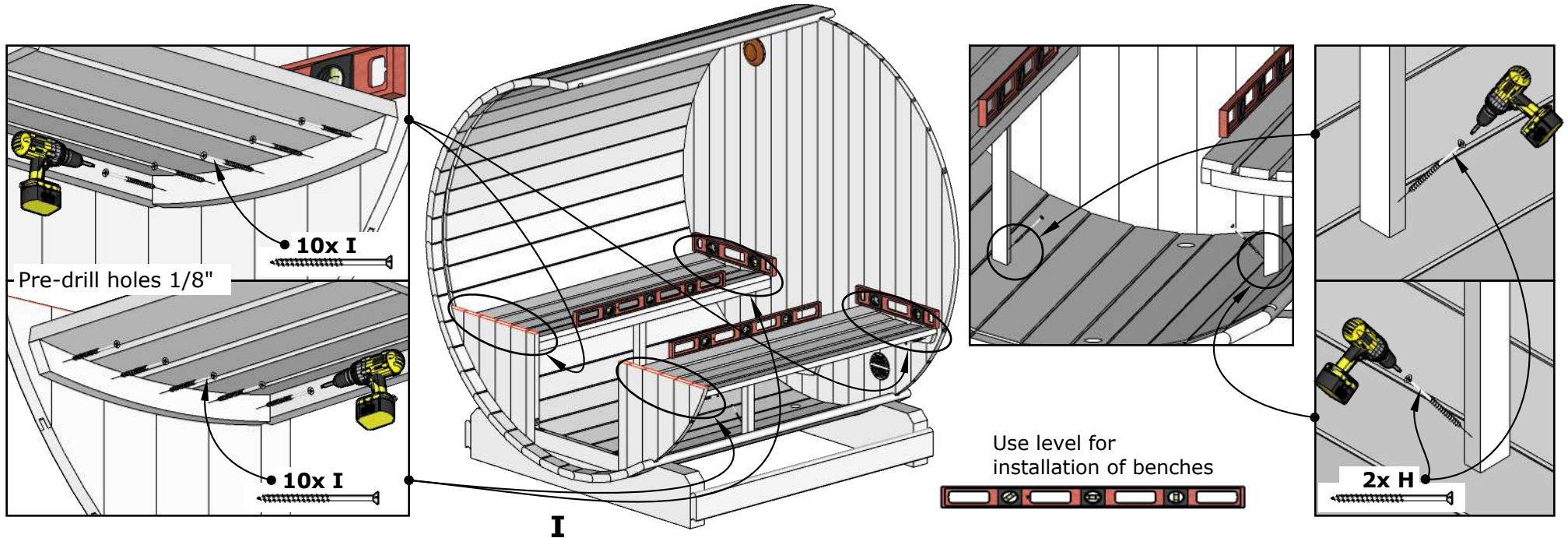
II

NB! If Your sauna equipped with front-glass wall, see front-glass wall installation manual for proper benches installation.

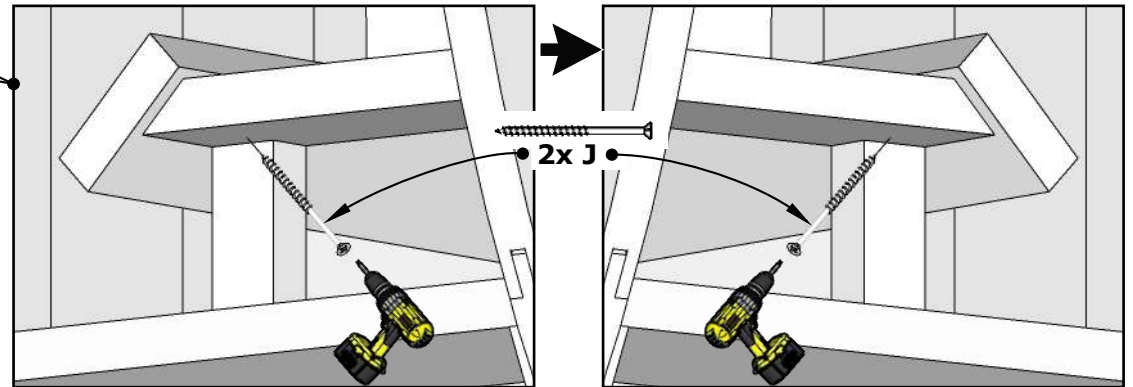
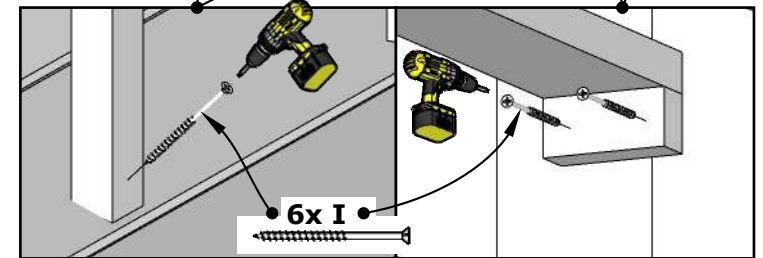
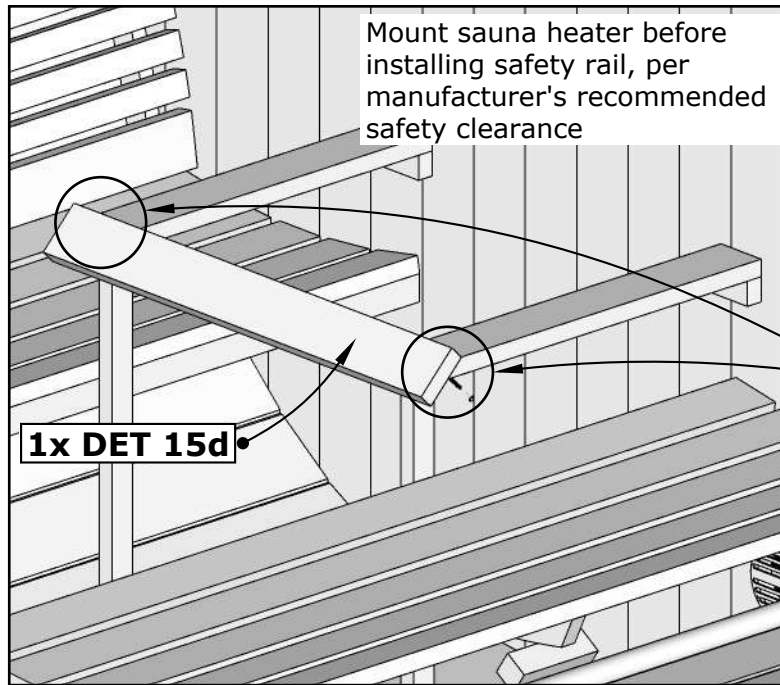
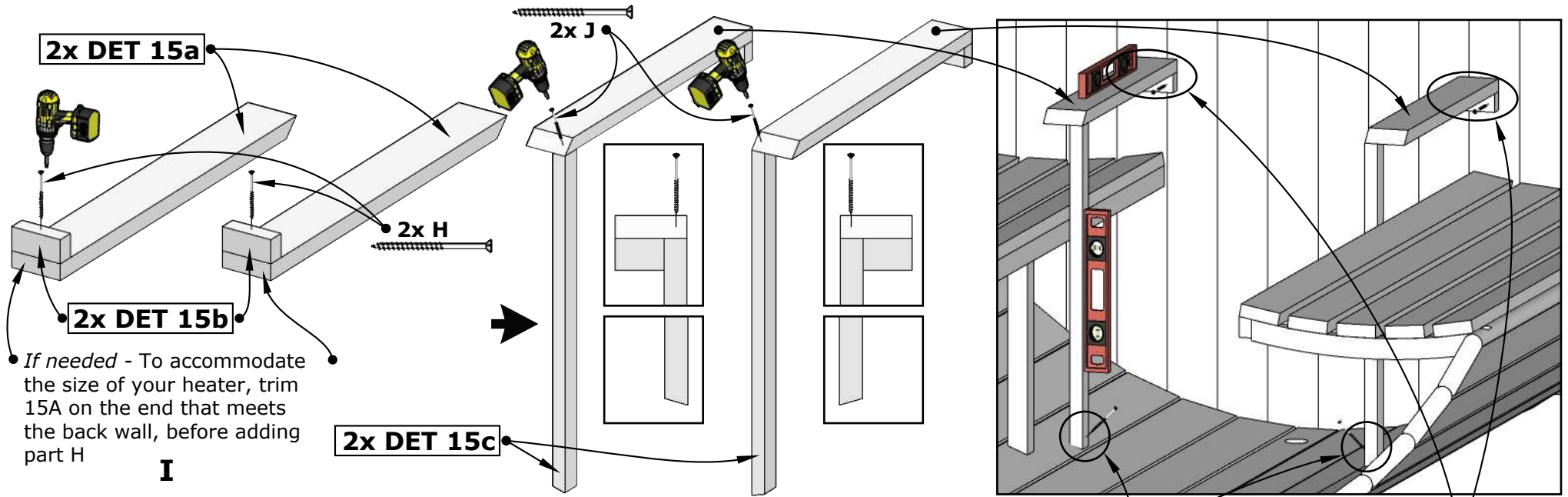
III



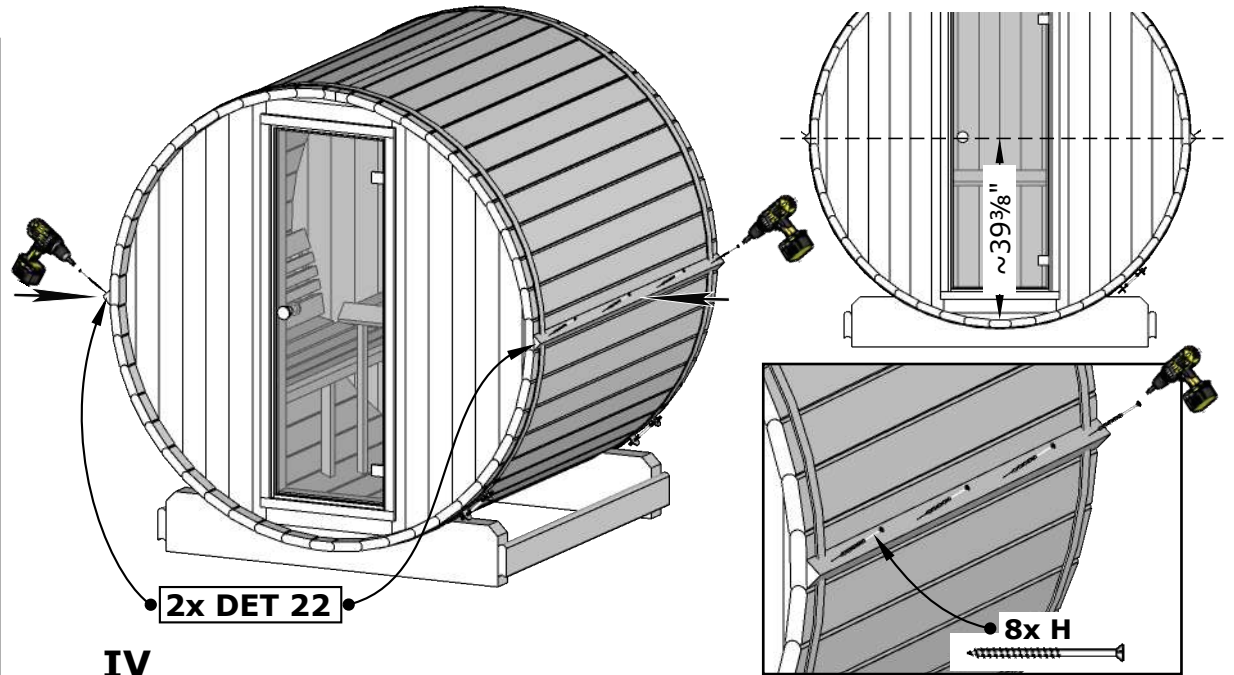
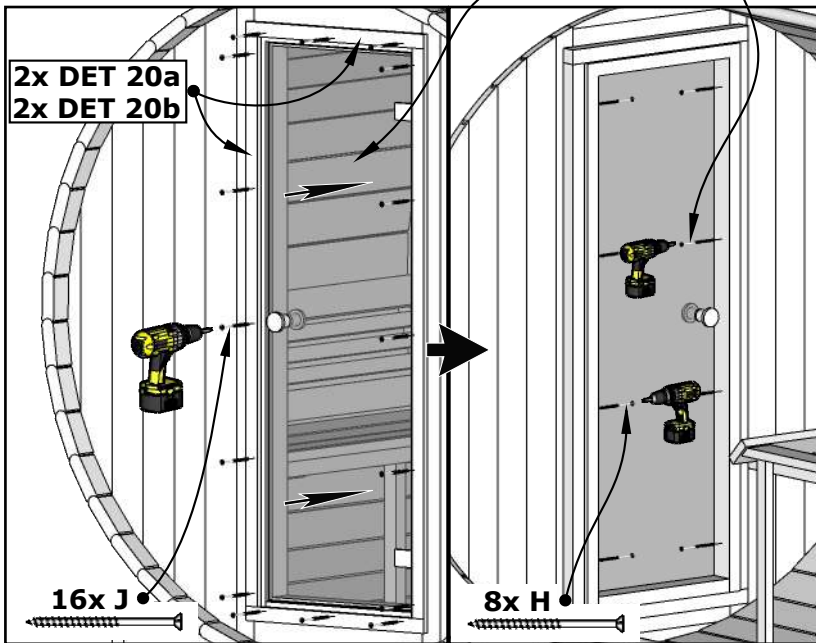
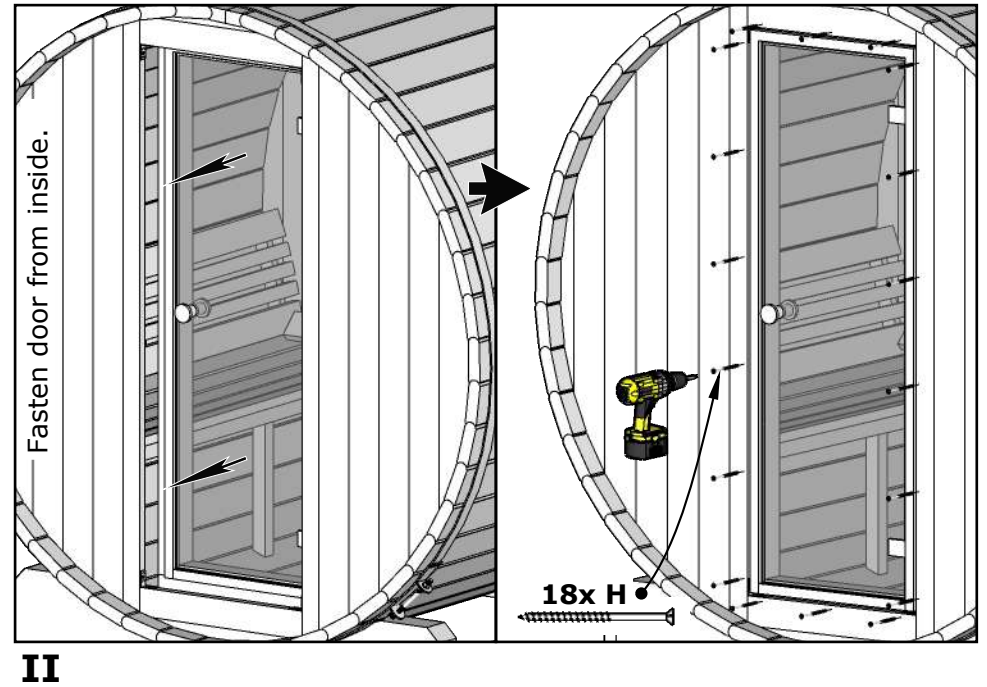
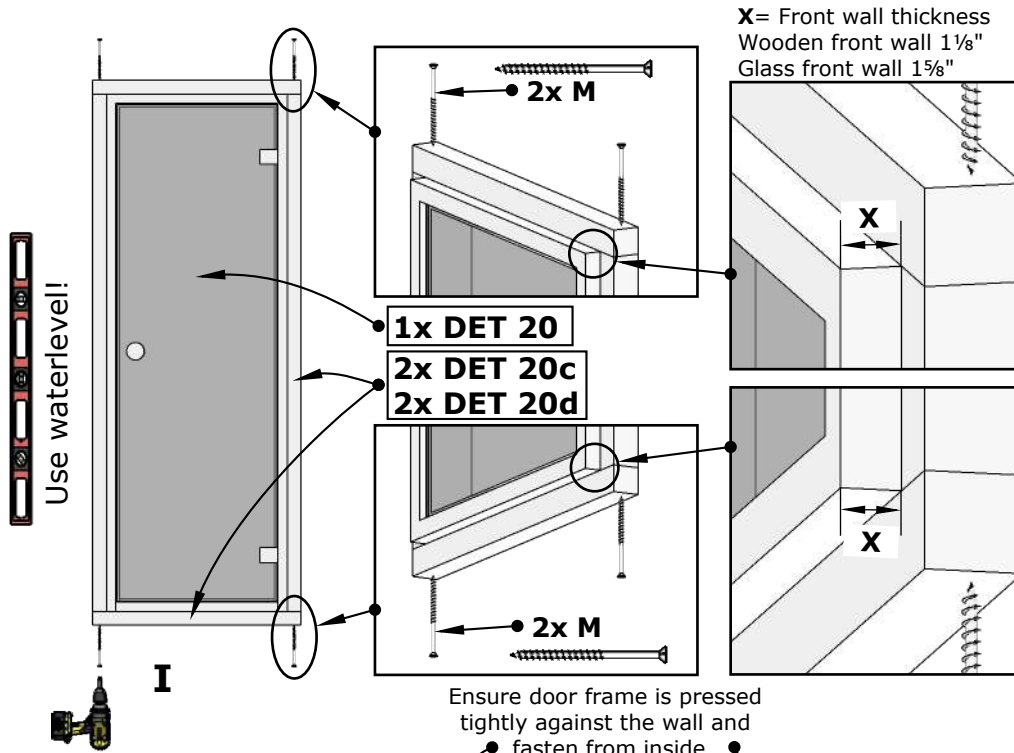
COMPASS W/VISTA WINDOW Barrel Sauna 59D" x 81H"



COMPASS W/VISTA WINDOW Barrel Sauna 59D" x 81H"

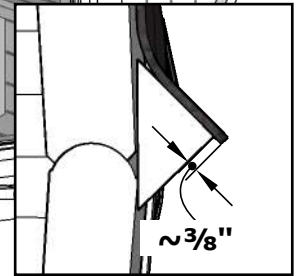
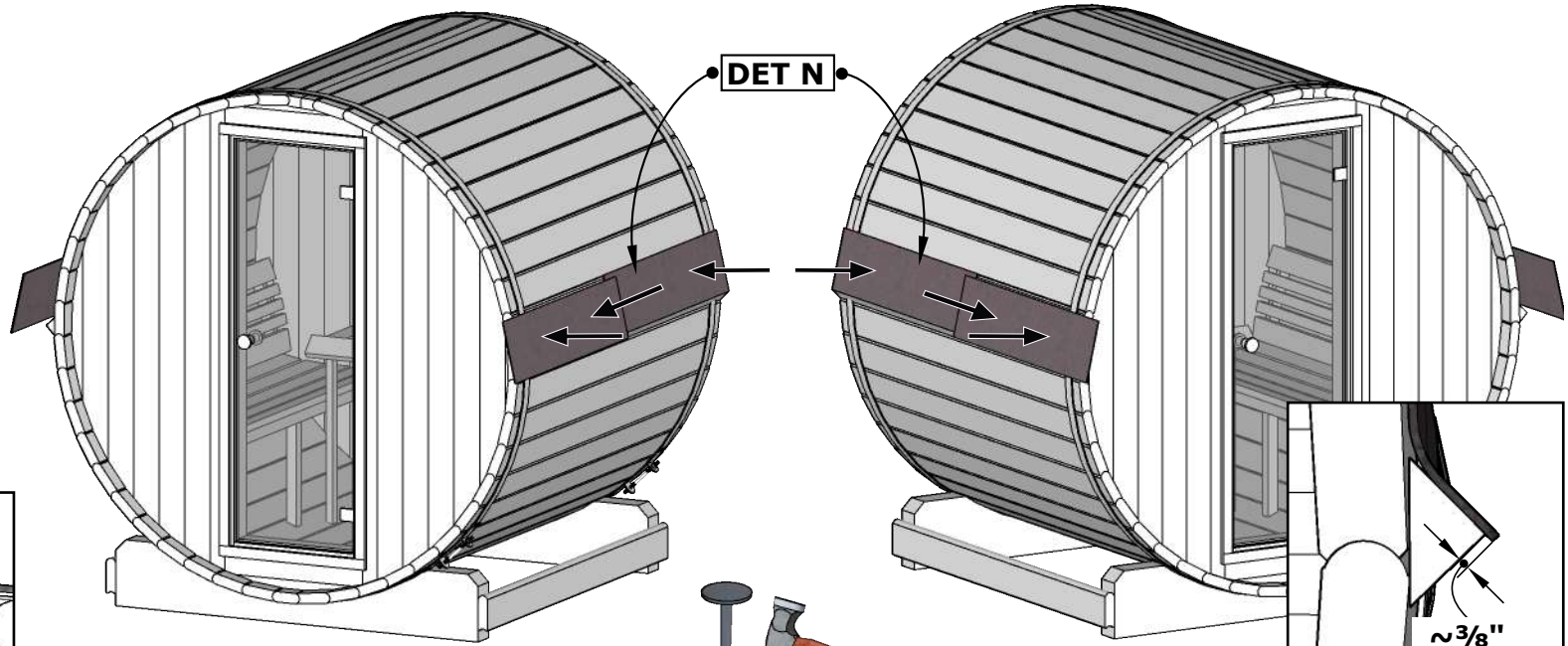
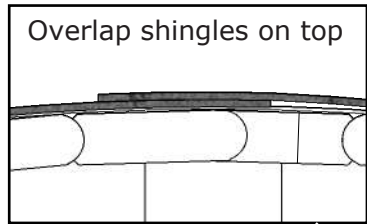


COMPASS W/VISTA WINDOW Barrel Sauna 59D" x 81H"

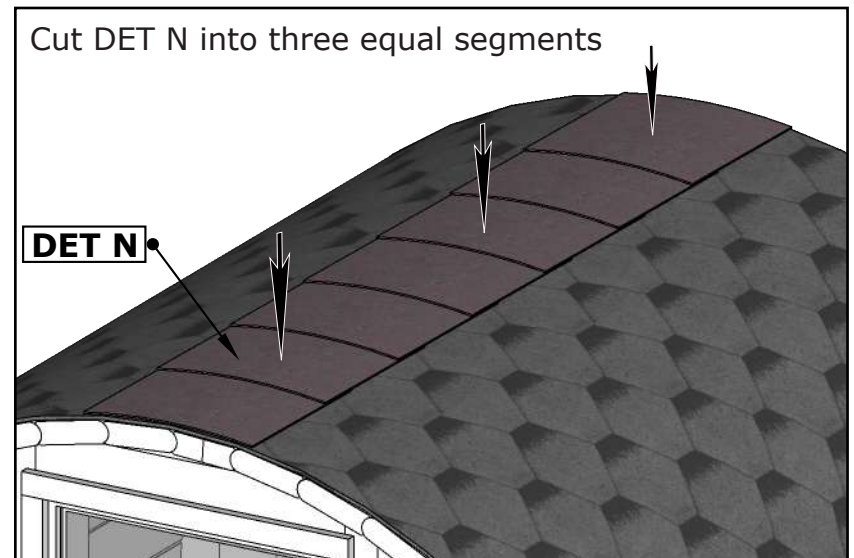
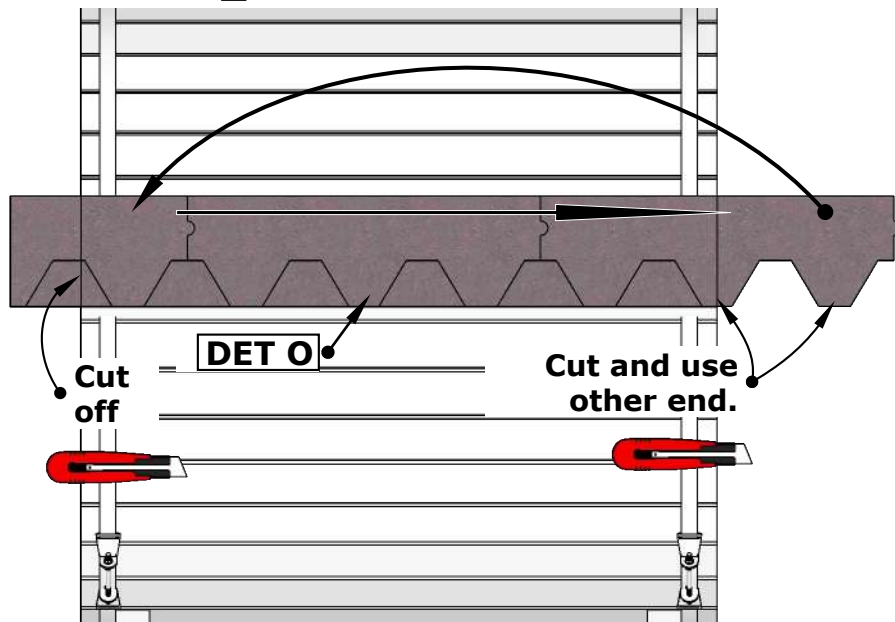


COMPASS W/VISTA WINDOW Barrel Sauna 59D" x 81H"

See the installation manual inside the shingles package



Check also roof shingles installation manual inside package.



COMPASS W/VISTA WINDOW Barrel Sauna 59D" x 81H"

