

SALUS  SAUNAS

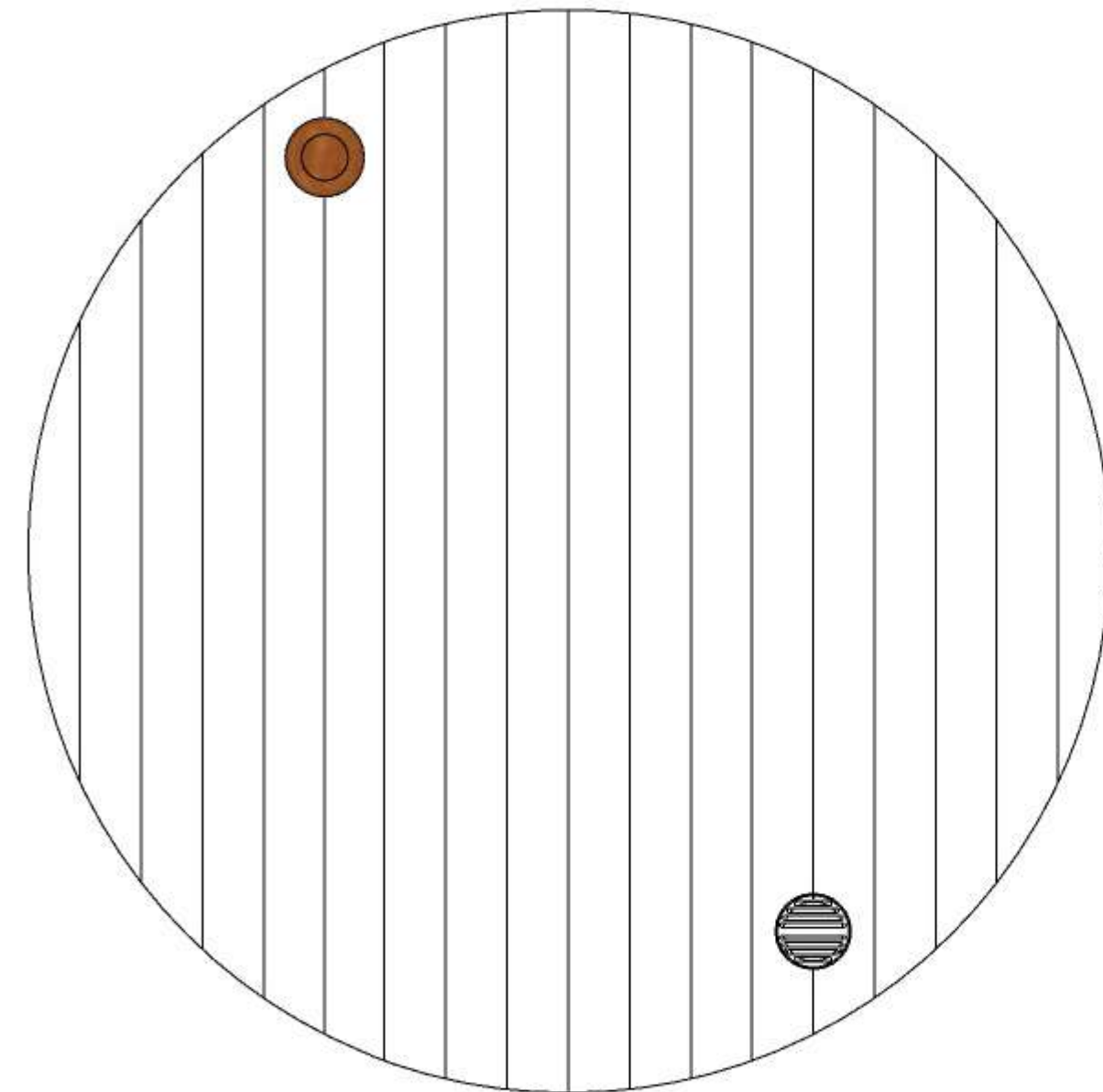
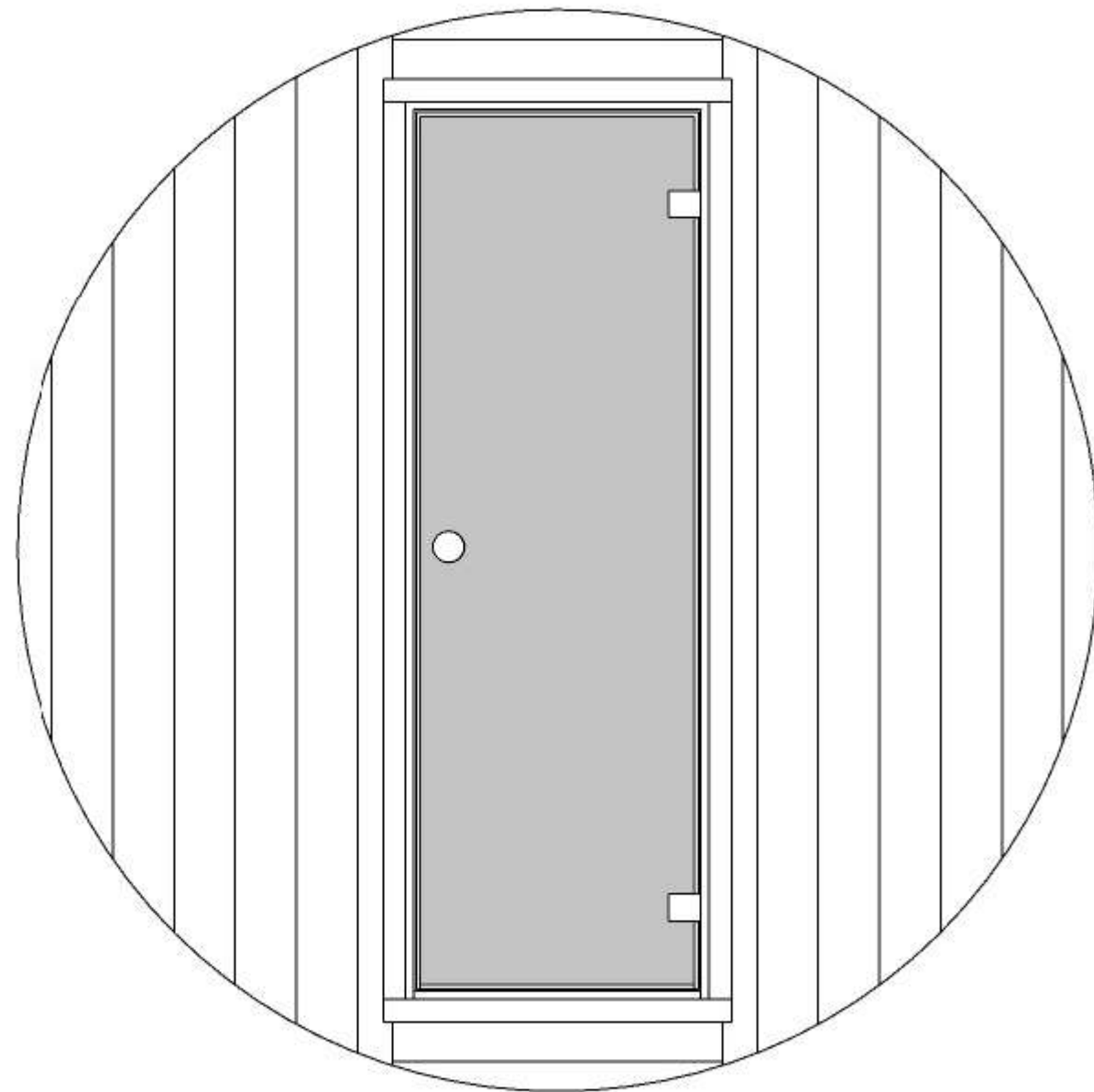


Compass 2 - 4 Person Barrel Sauna

OWNER'S MANUAL

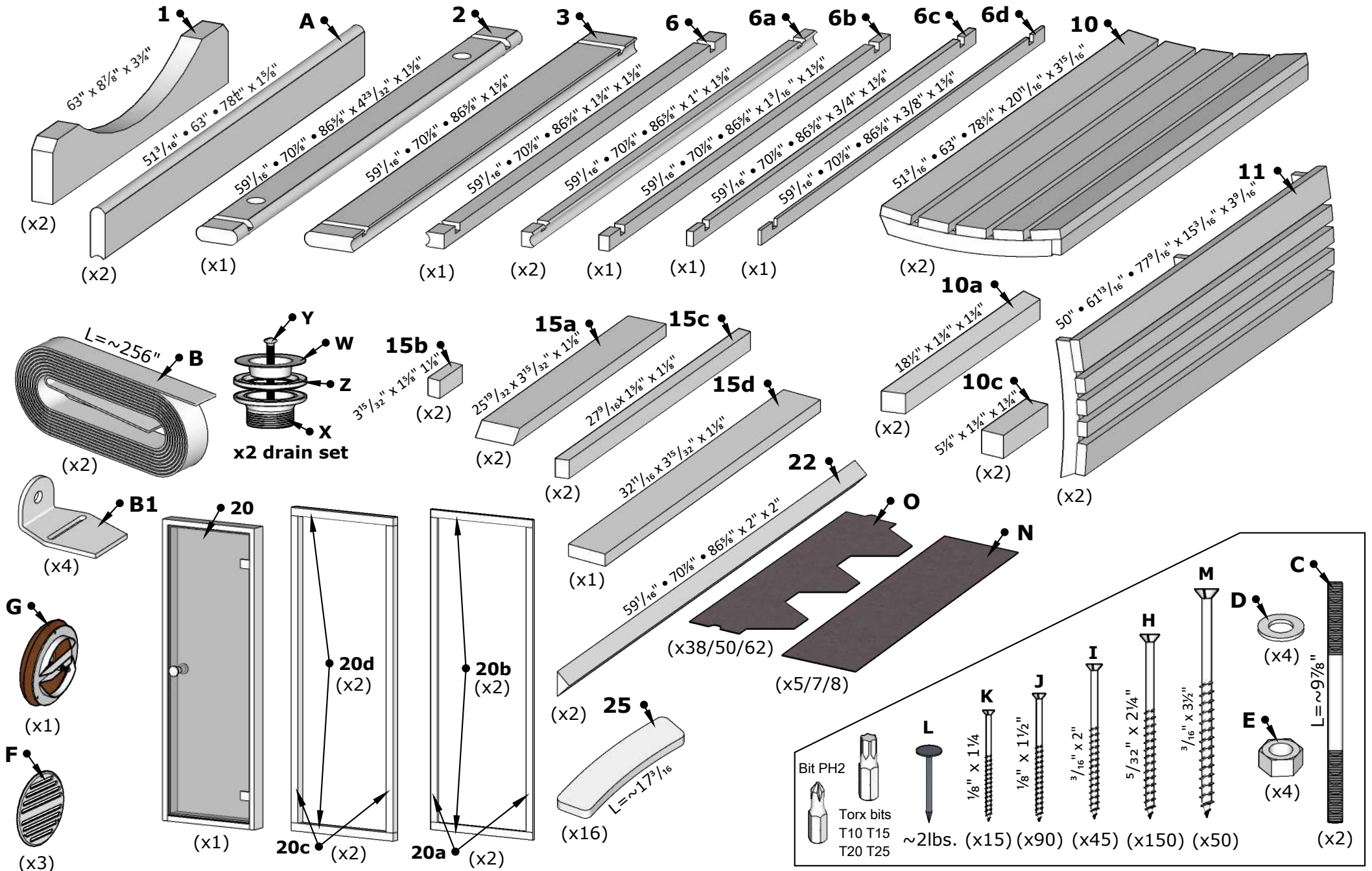
WARNING! Do not place anything combustible close to heater, above the heater, and on both sides of the heater. This includes but not limited to towels, lights, robe hooks, accessories, etc. Nothing should be on the same wall as your heater that is combustible.

Front & Back Walls

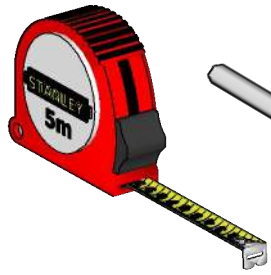


COMPASS Barrel Sauna 59D" x 81H"

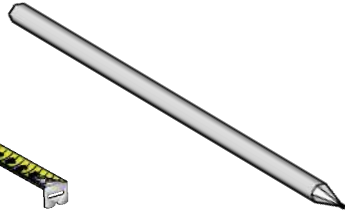
Details list.



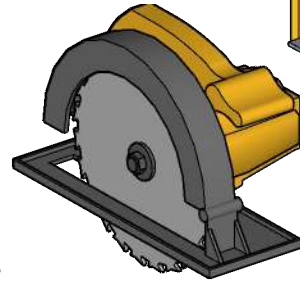
Tools needed



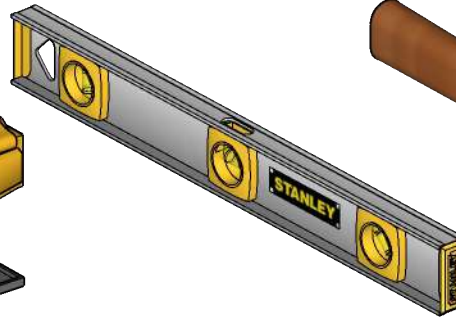
Measuring tape



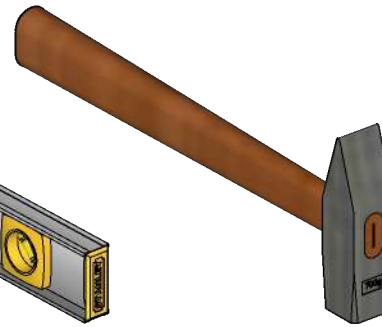
Marker pen



Circular saw



Water level



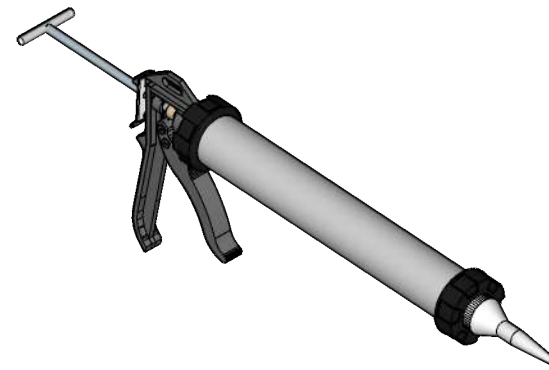
Hammer



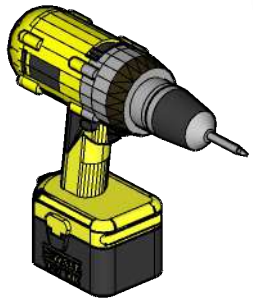
Extra hands



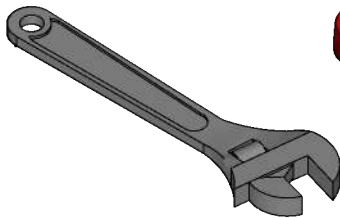
Ratchet strap



Silicone gun
(Only glass-wall models)



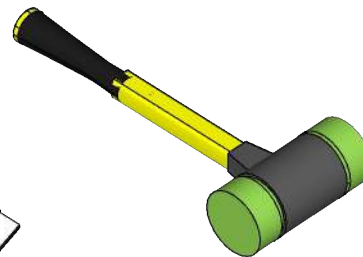
Drill



Crescent wrench



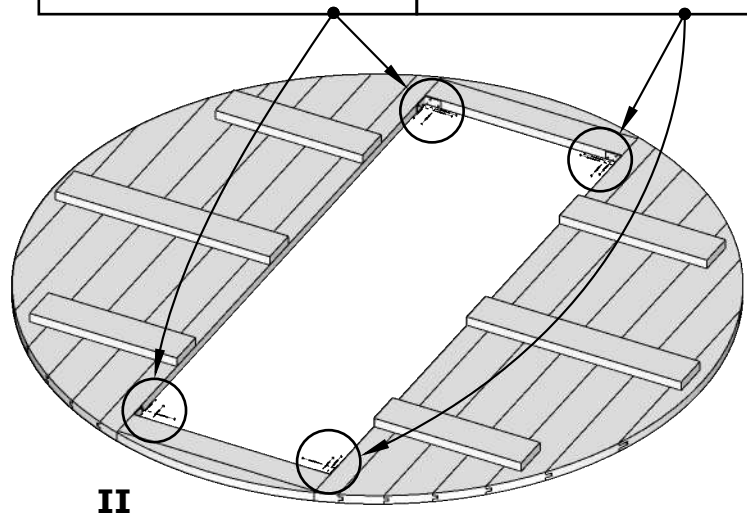
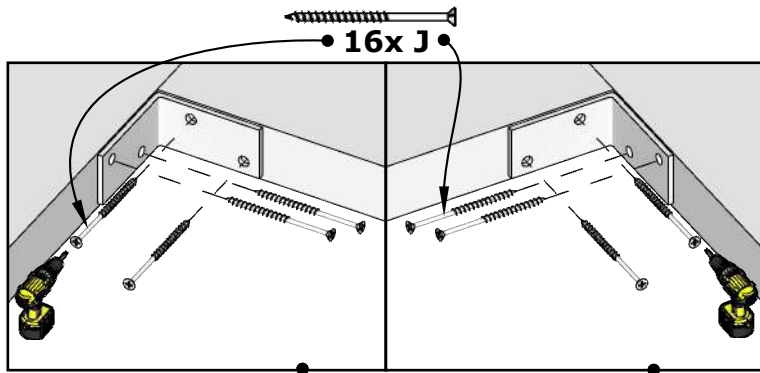
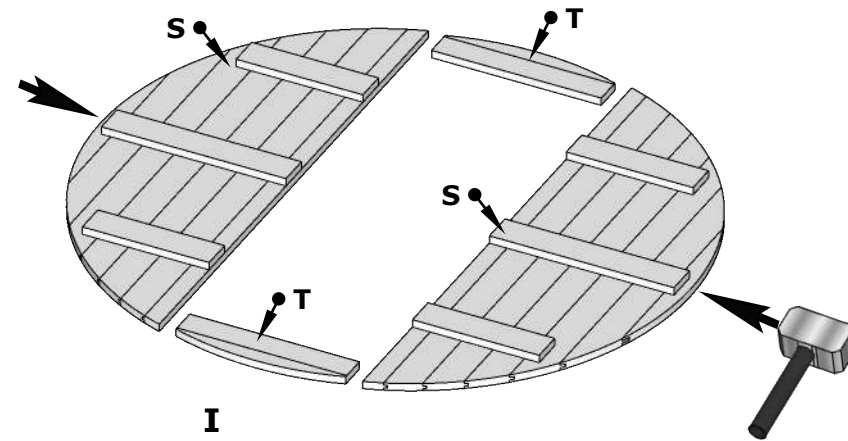
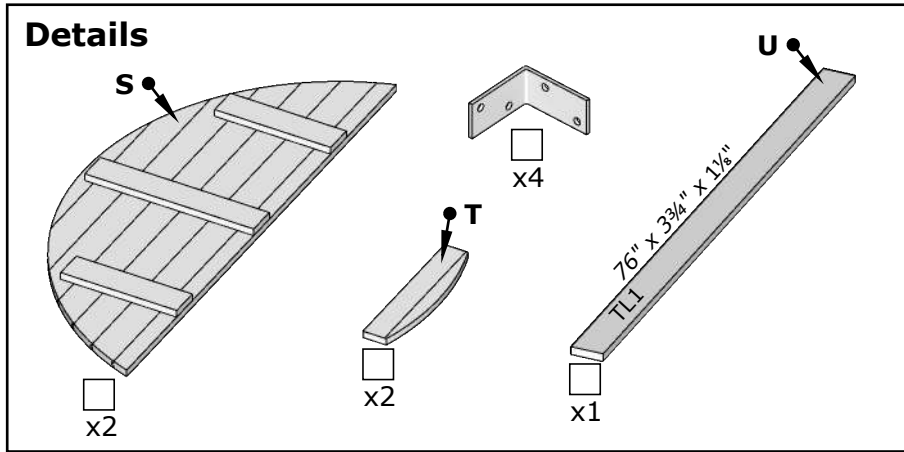
Utility knife



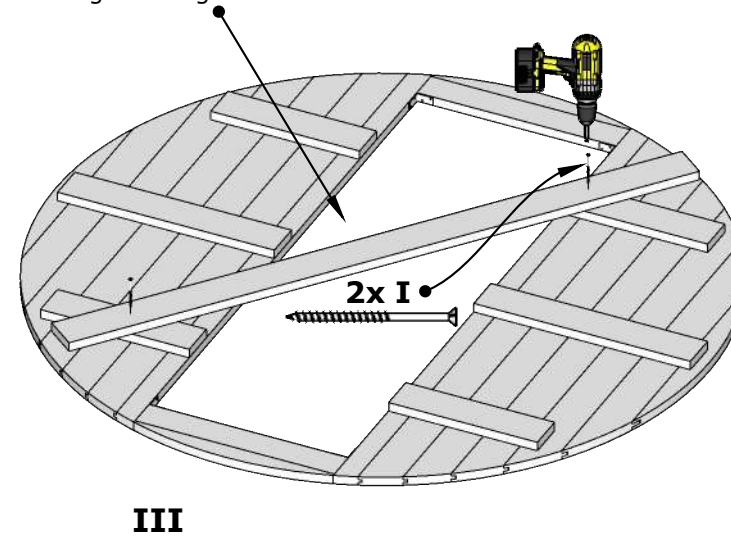
Rubber mallet

Wooden front wall installation

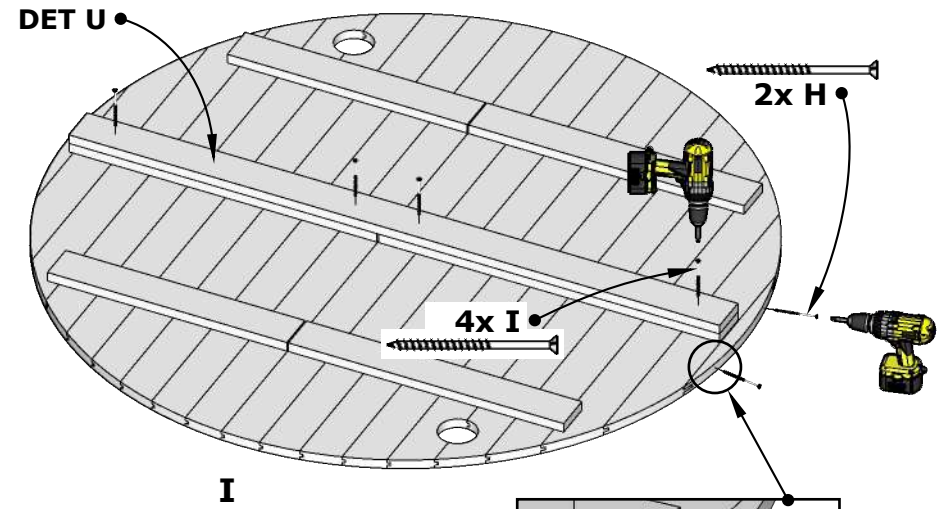
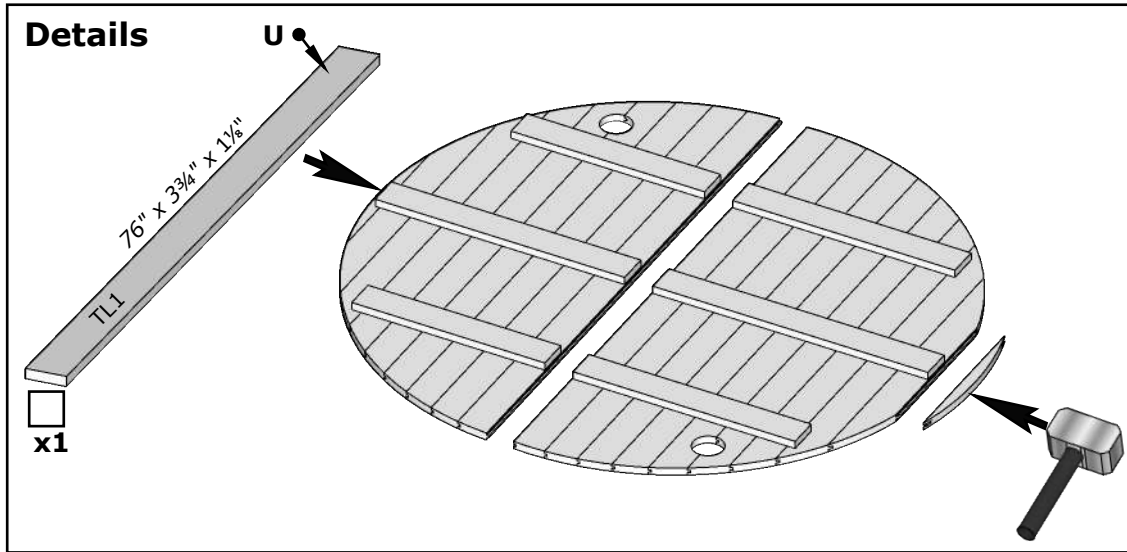
Details



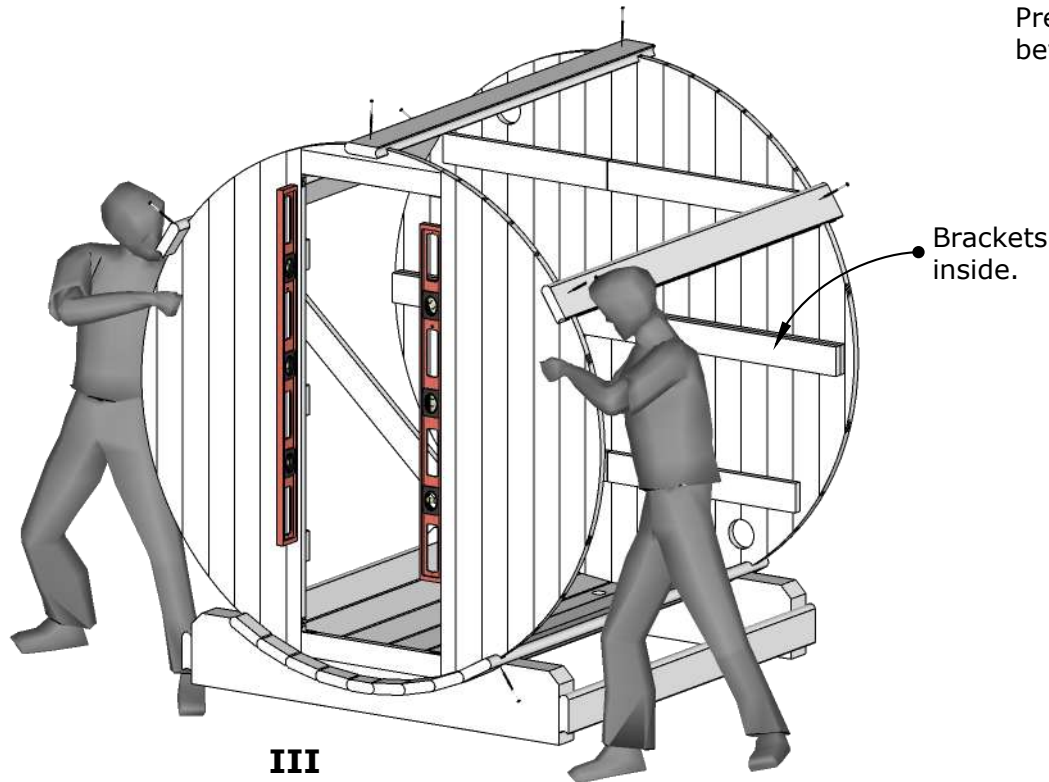
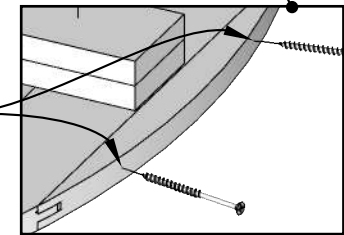
DET U Fix it diagonally to make wall more rigid during the installation.



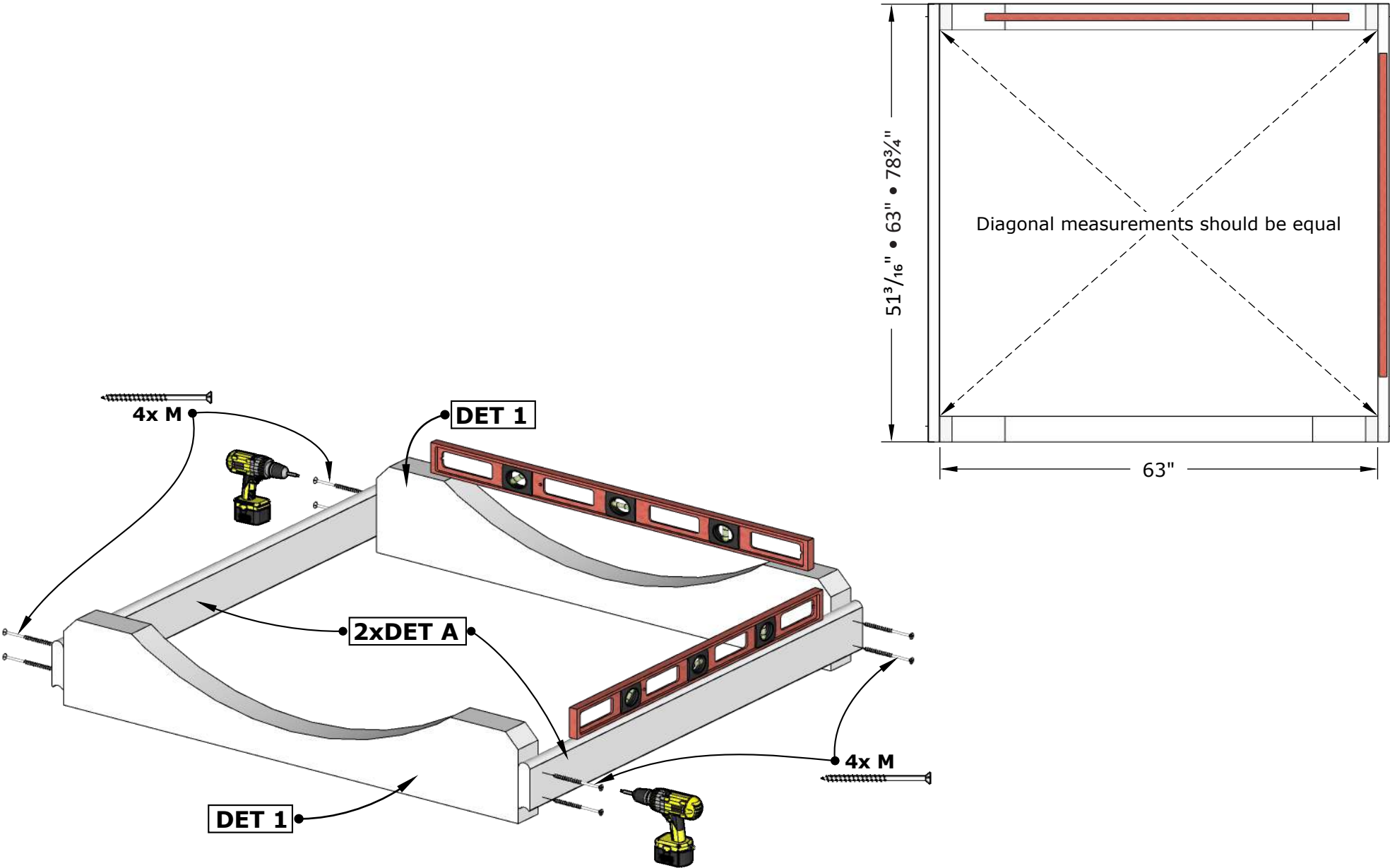
Wooden back wall installation



Pre-drill holes 5/32" before screws.

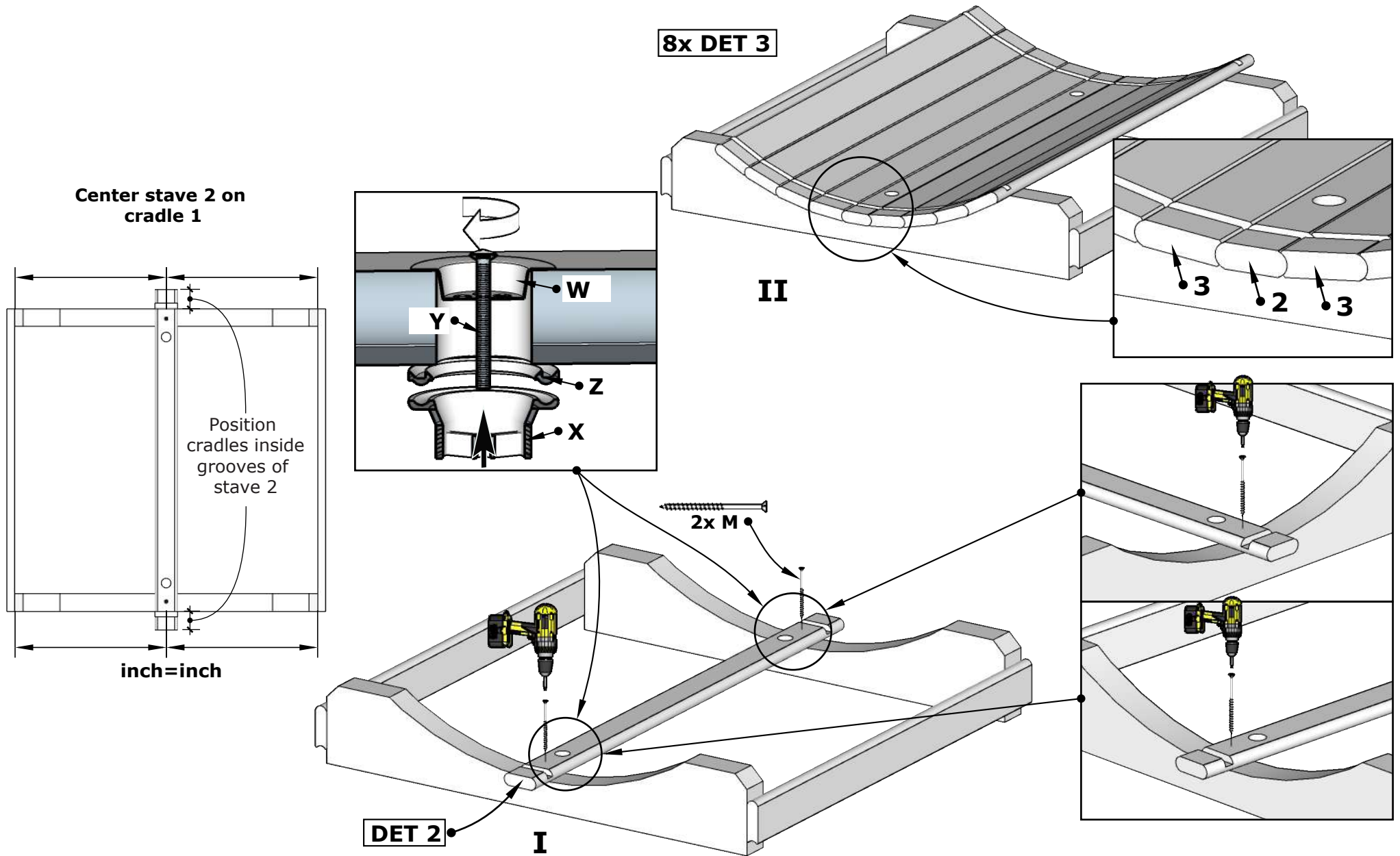


COMPASS Barrel Sauna 59D" x 81H"

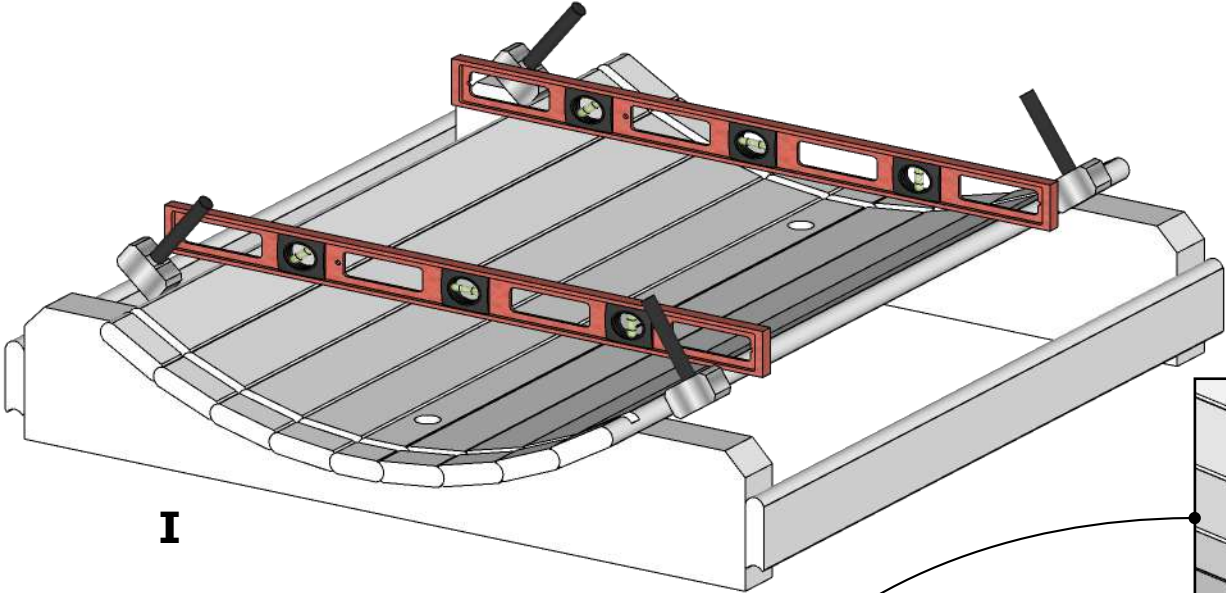


1.

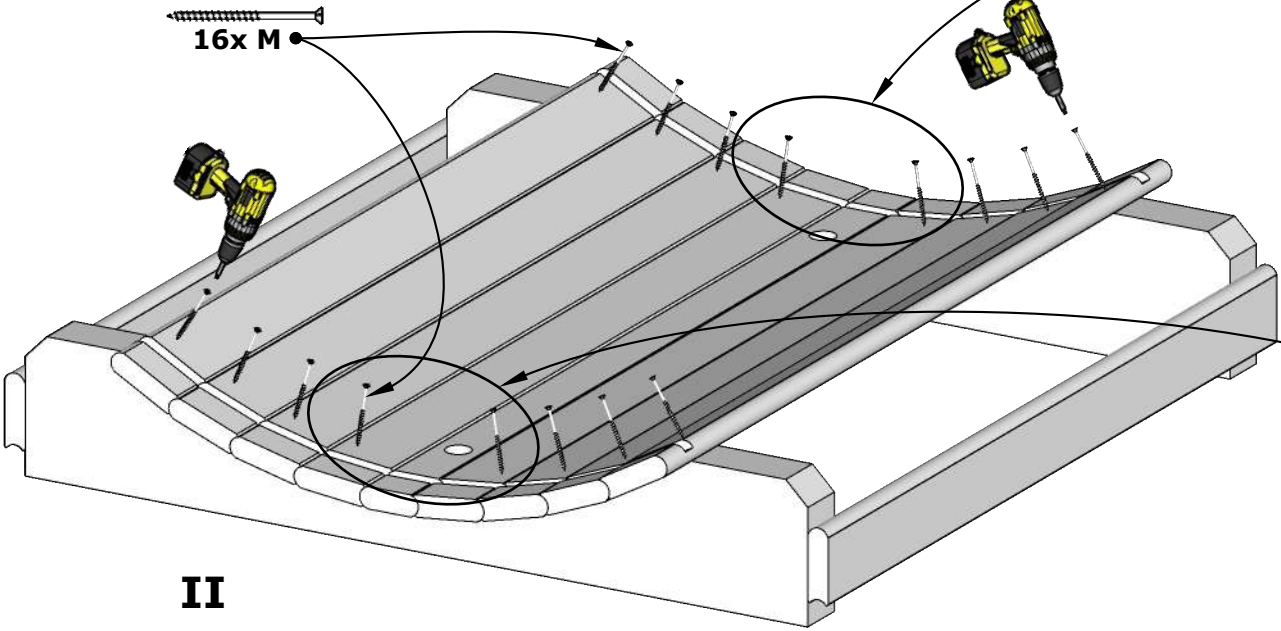
COMPASS Barrel Sauna 59D" x 81H"



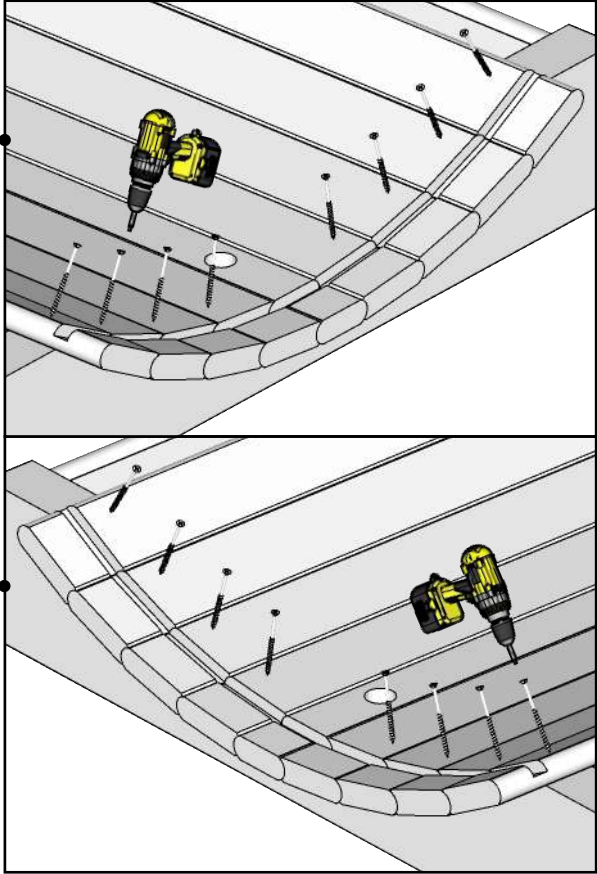
COMPASS Barrel Sauna 59D" x 81H"



I

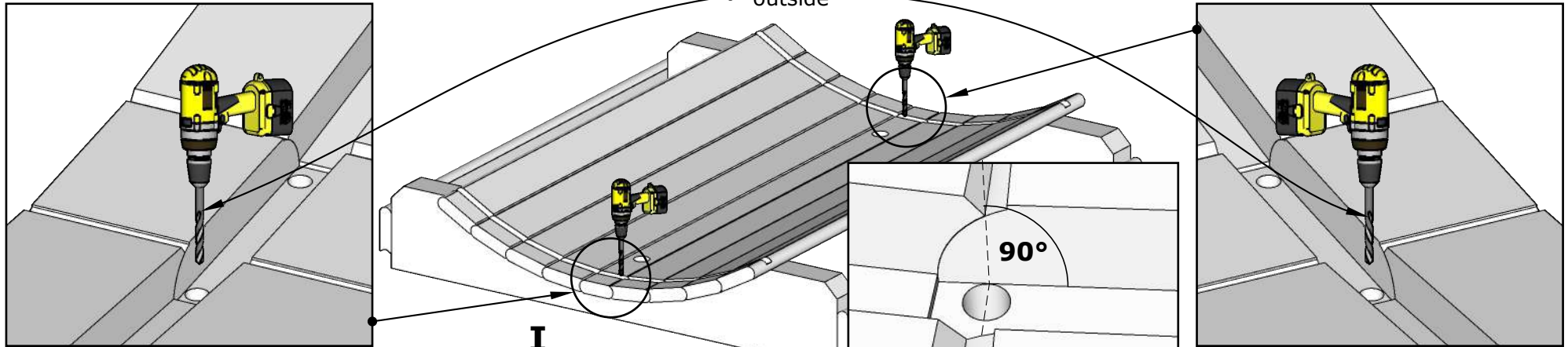


II

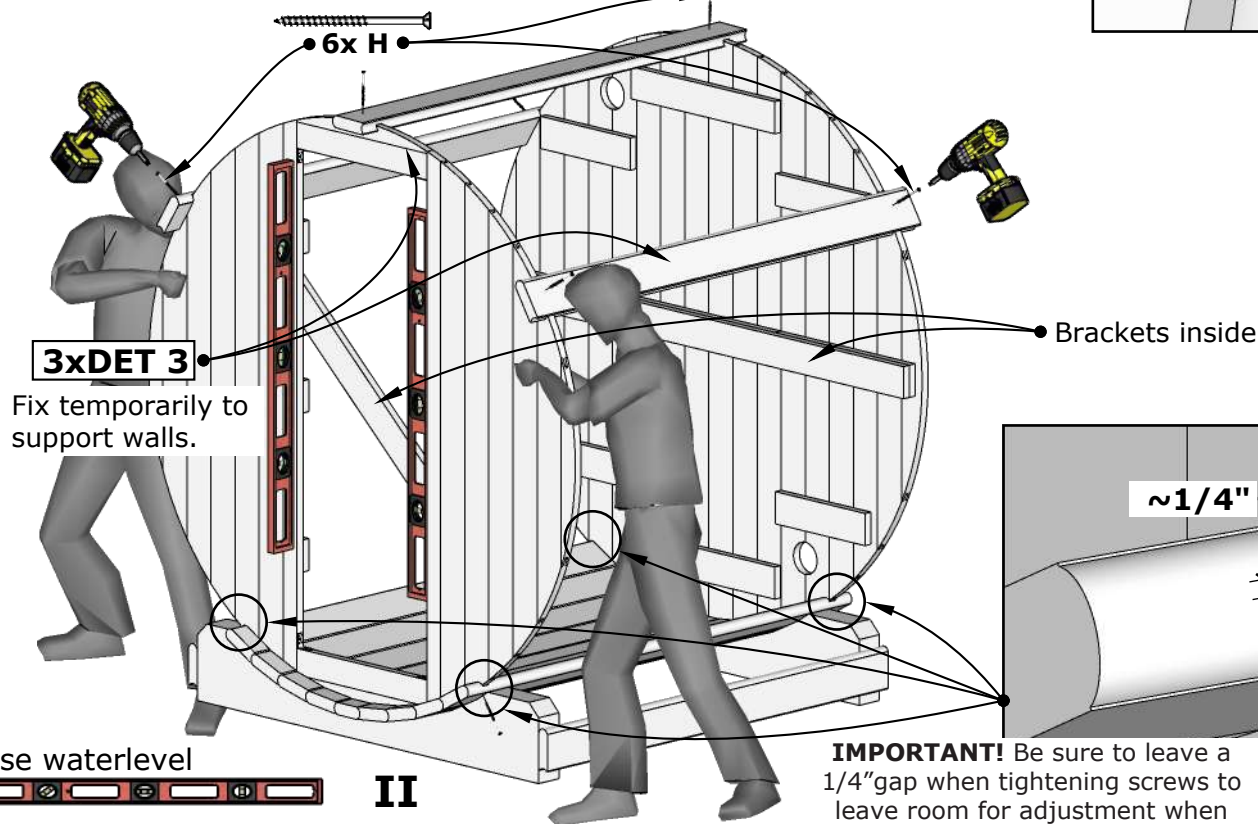


COMPASS Barrel Sauna 59D" x 81H"

Drill 4 holes $\varnothing 1/2"$
through DET 2
outside

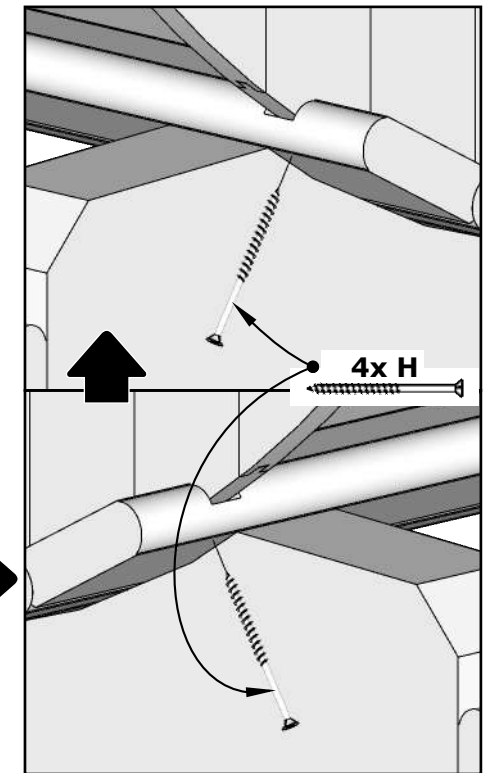


I

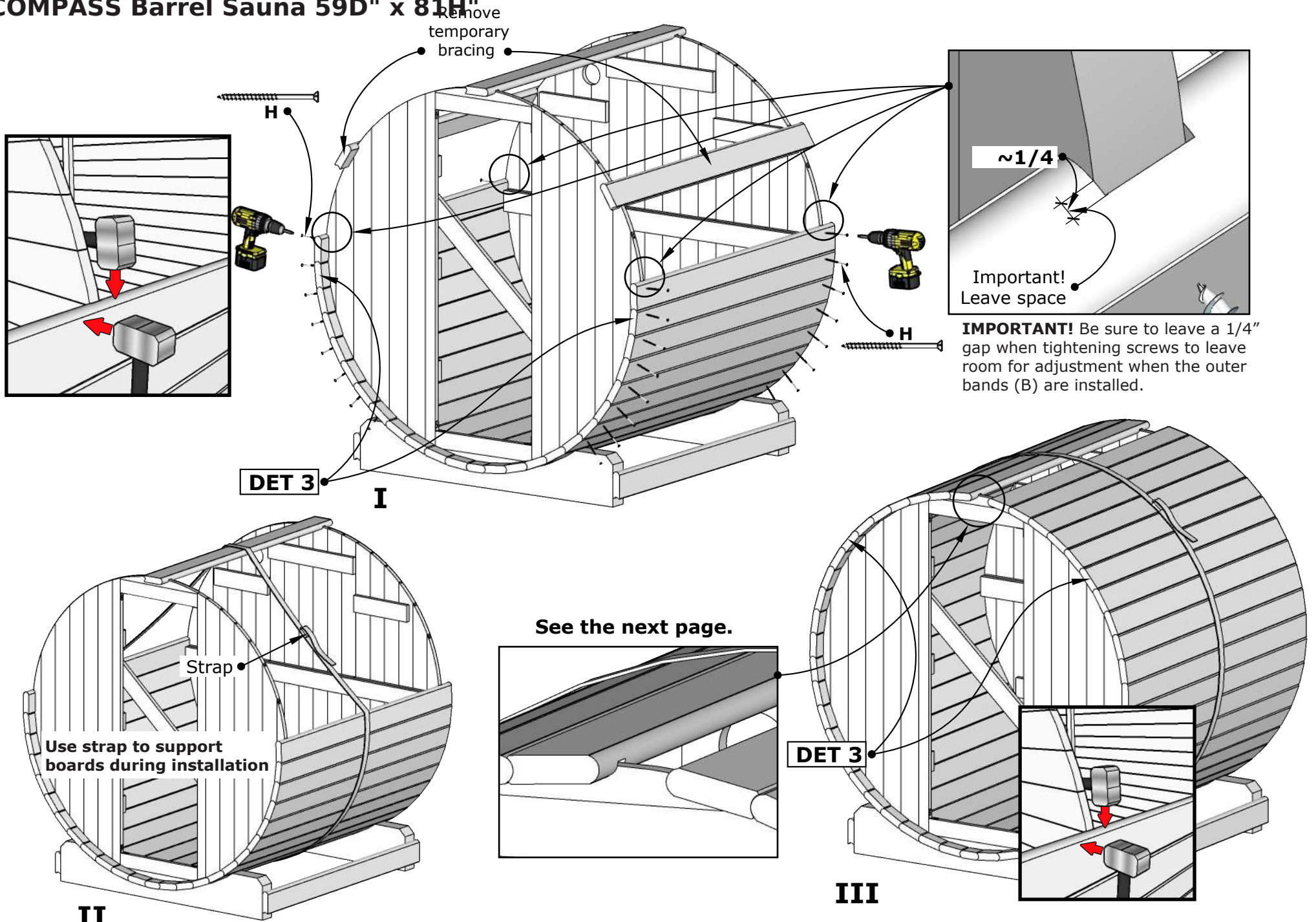


II

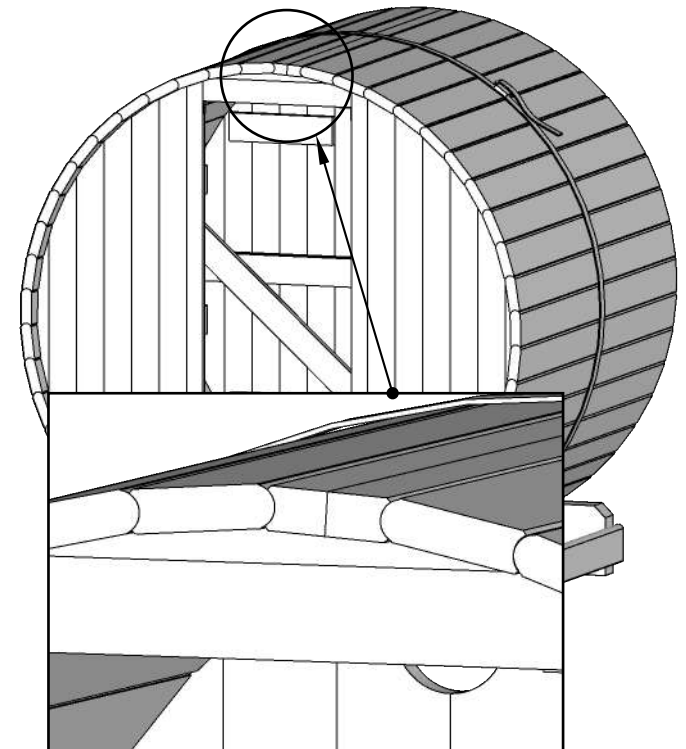
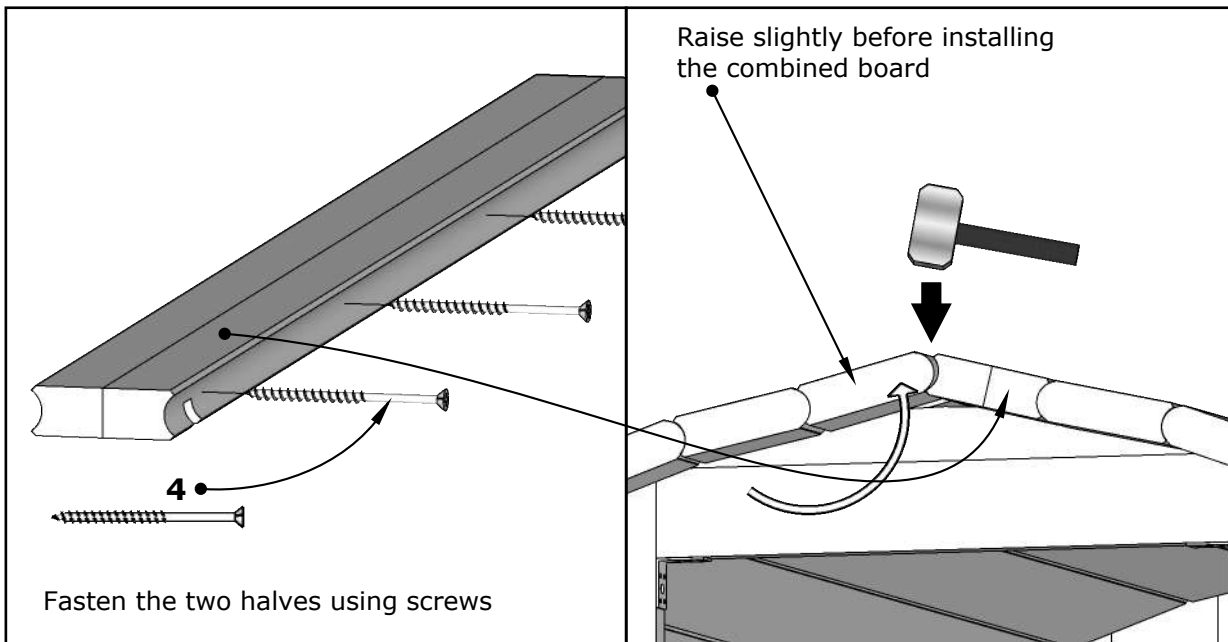
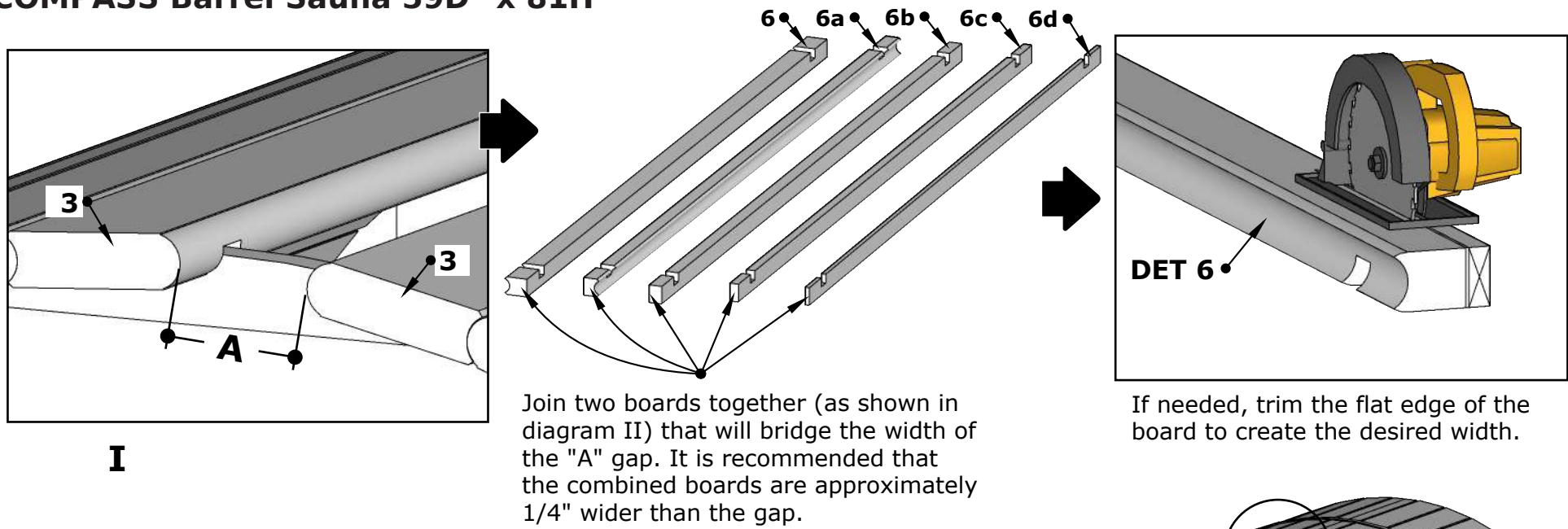
IMPORTANT! Be sure to leave a $1/4"$ gap when tightening screws to leave room for adjustment when the outer bands (B) are installed.



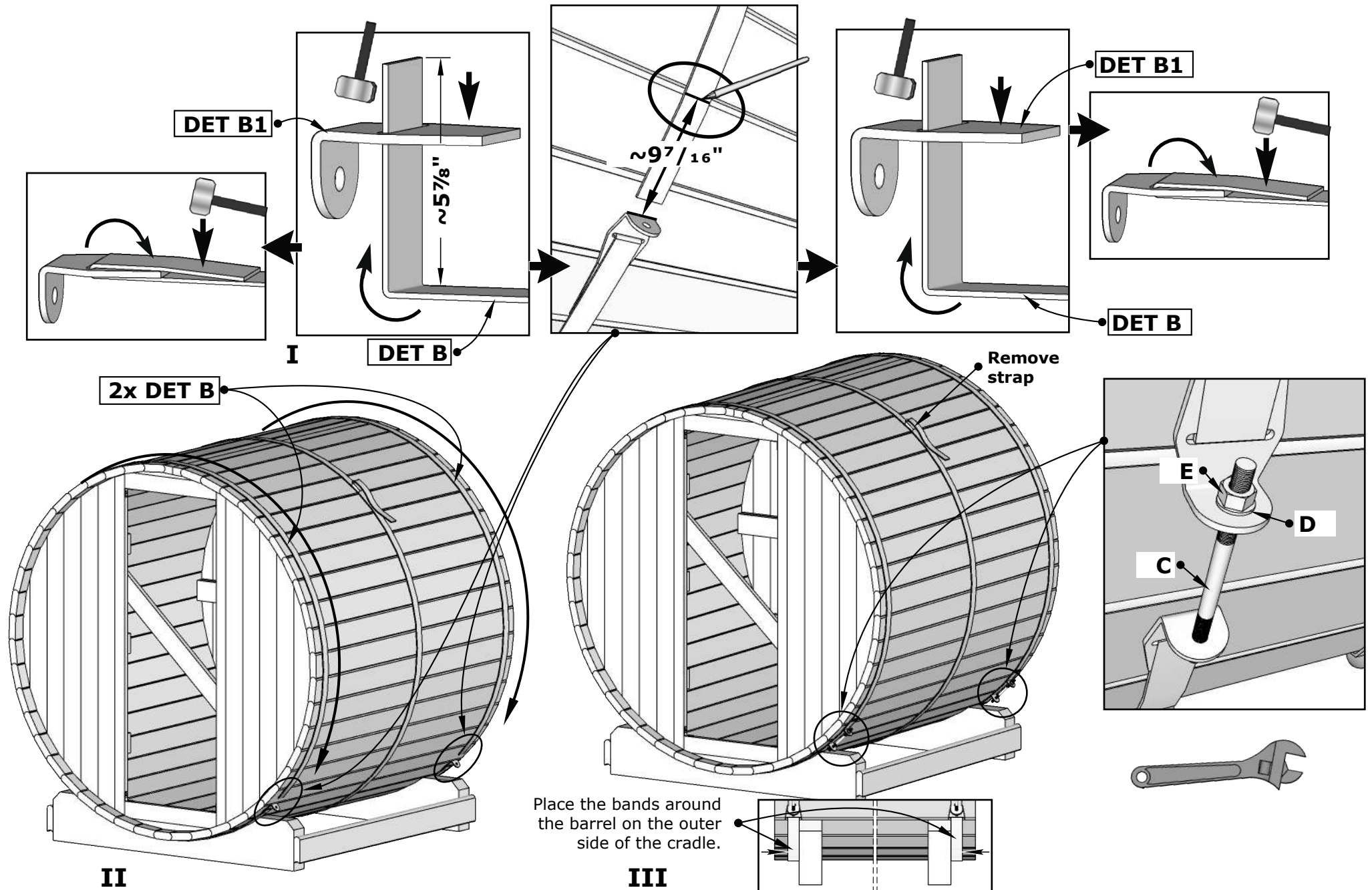
COMPASS Barrel Sauna 59D" x 81H"



COMPASS Barrel Sauna 59D" x 81H"

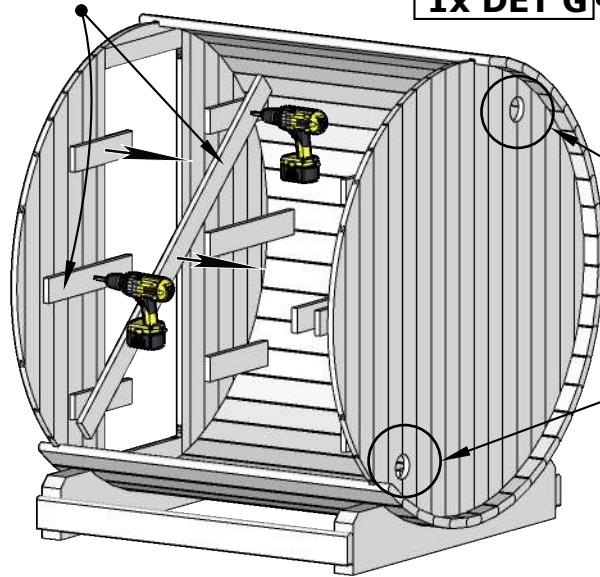
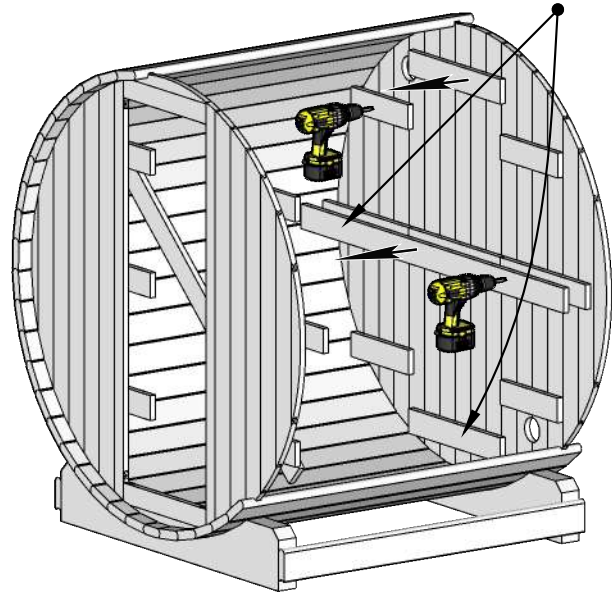


COMPASS Barrel Sauna 59D" x 81H"

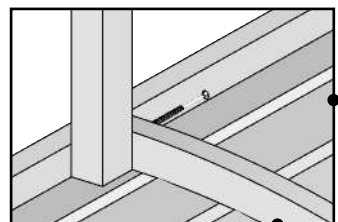
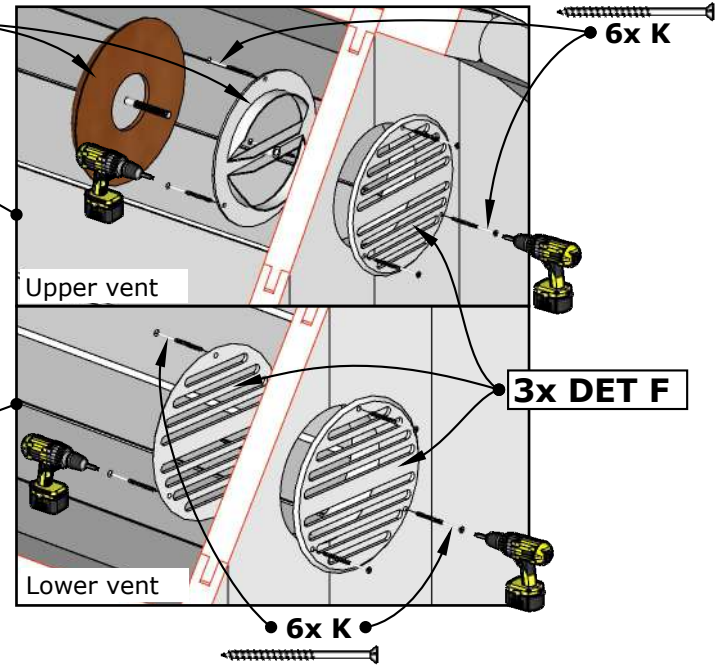


COMPASS Barrel Sauna 59D" x 81H"

Remove all temporary braces



1x DET G

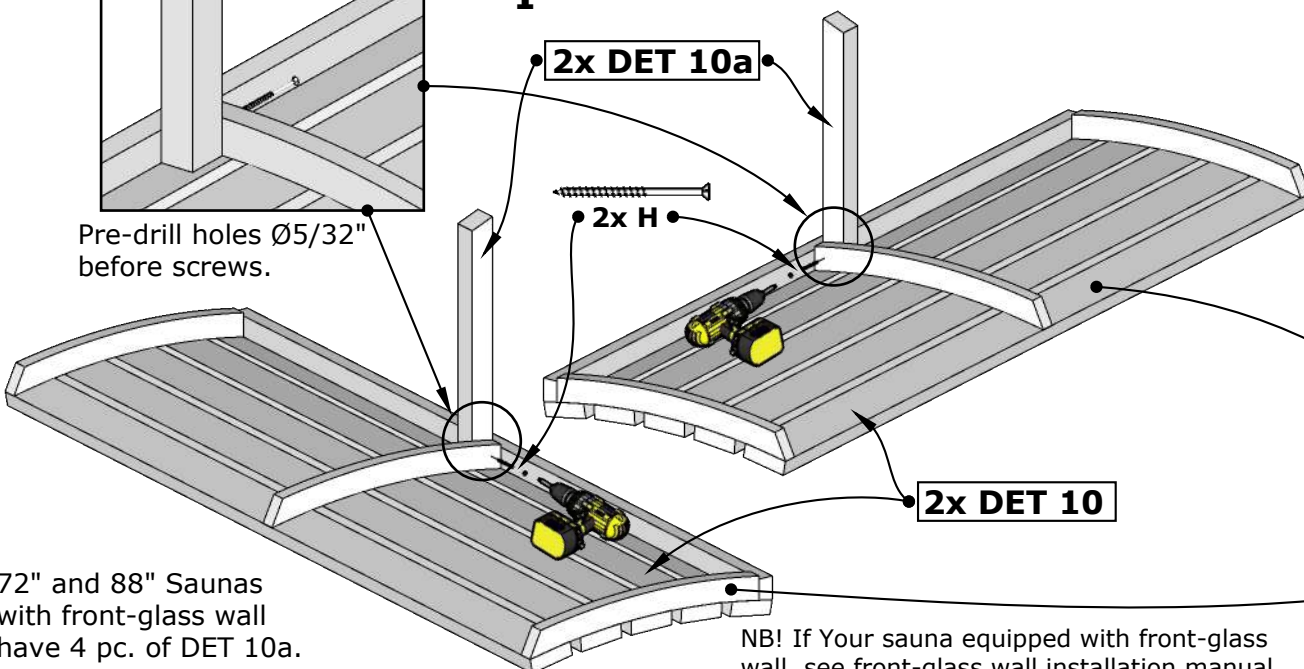


Pre-drill holes Ø5/32" before screws.

I

2x DET 10a

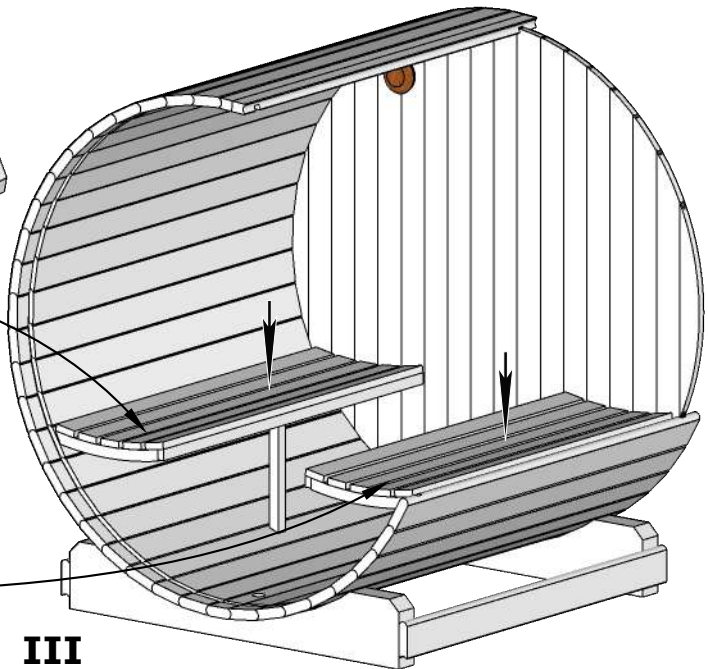
2x H



2x DET 10

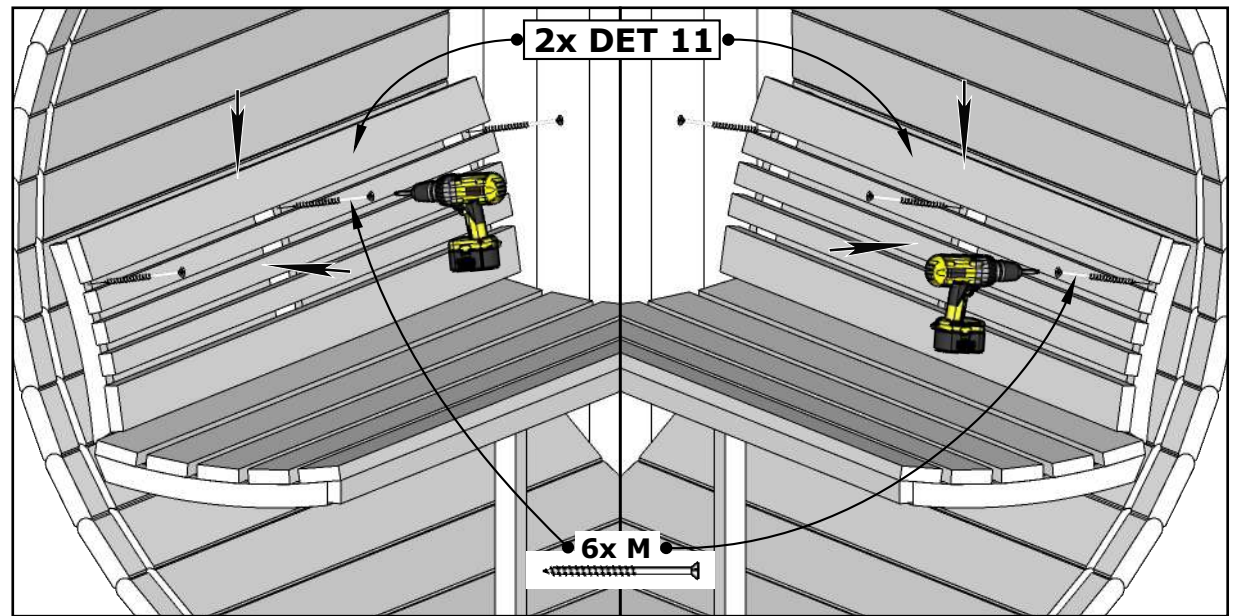
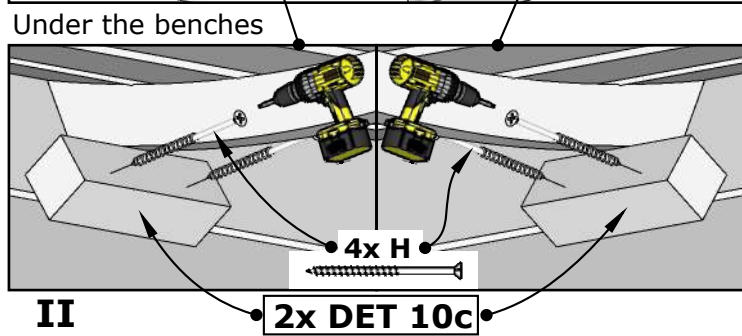
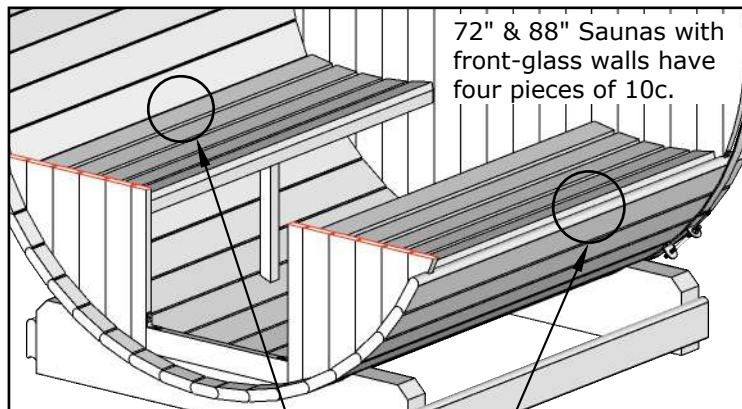
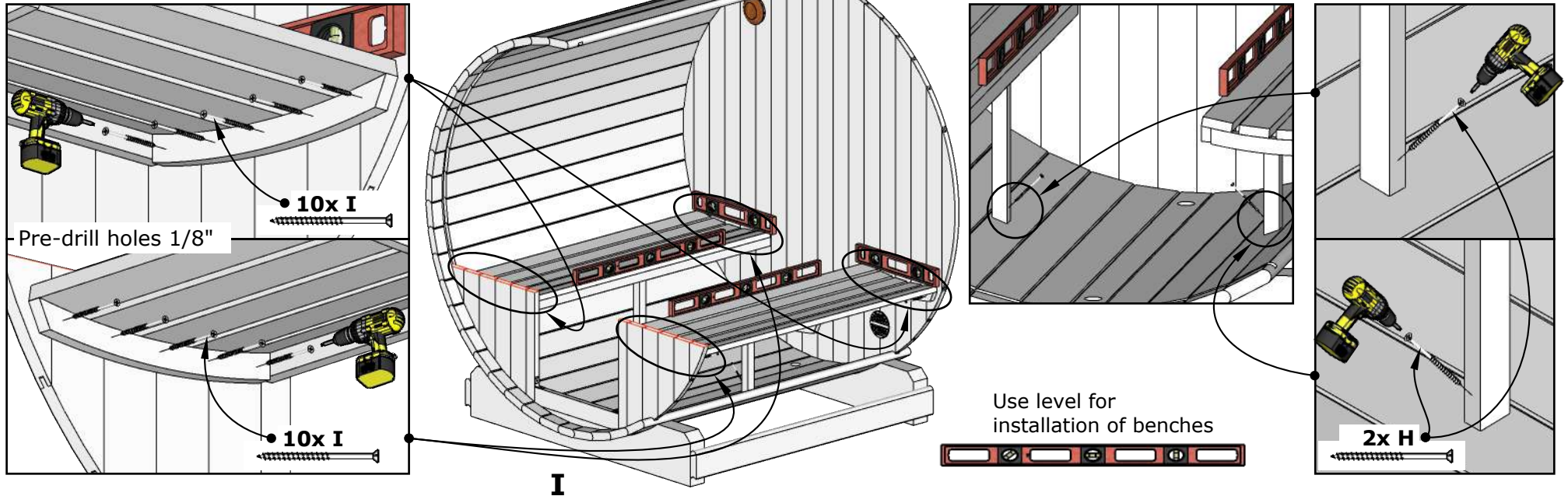
72" and 88" Saunas with front-glass wall have 4 pc. of DET 10a.

NB! If Your sauna equipped with front-glass wall, see front-glass wall installation manual for proper benches installation.



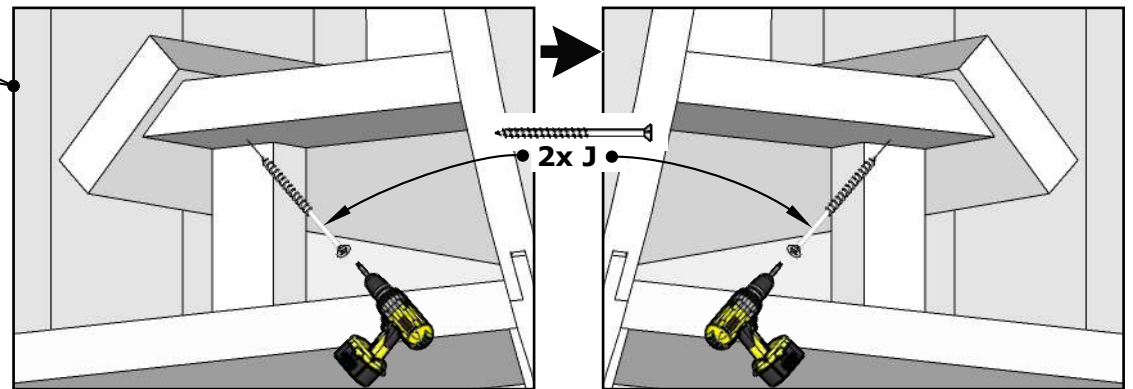
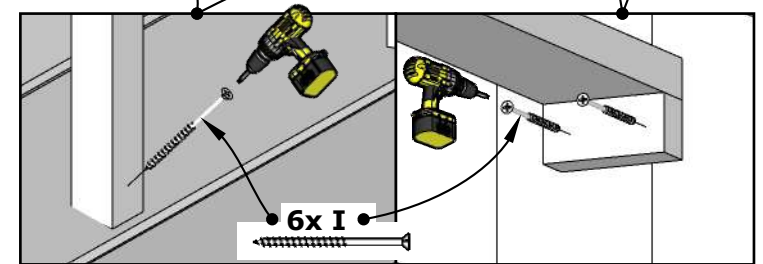
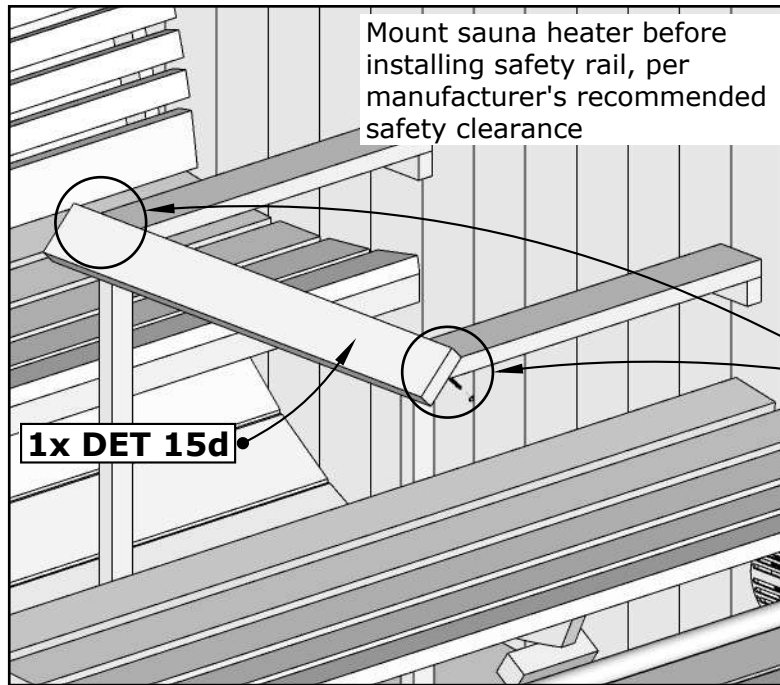
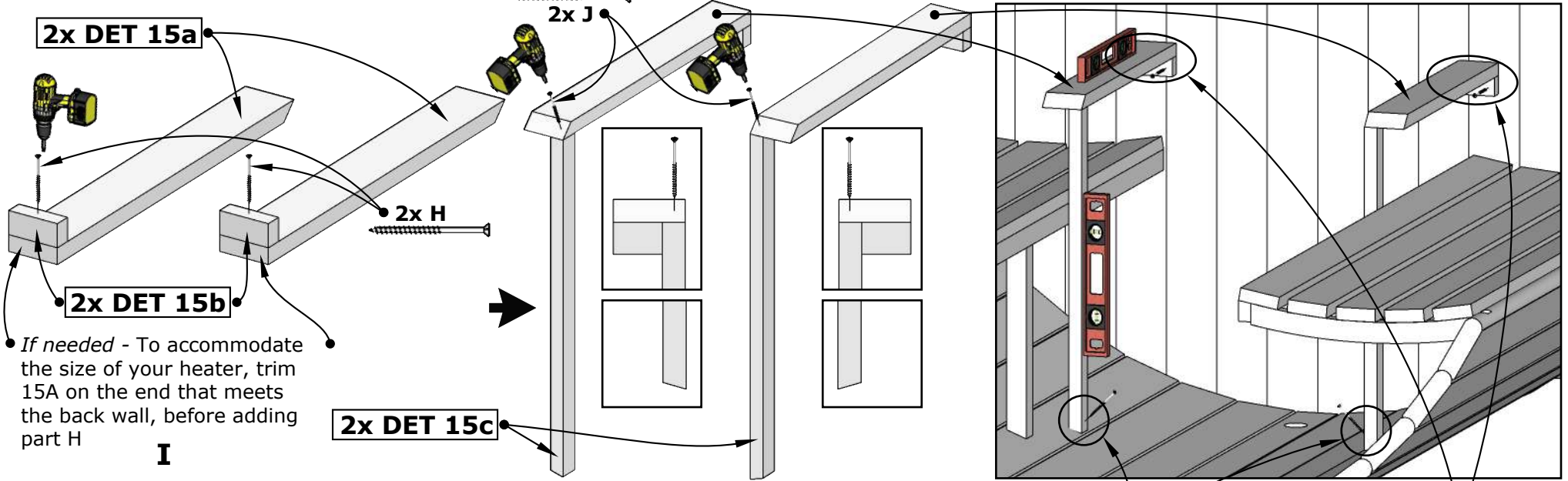
III

COMPASS Barrel Sauna 59D" x 81H"



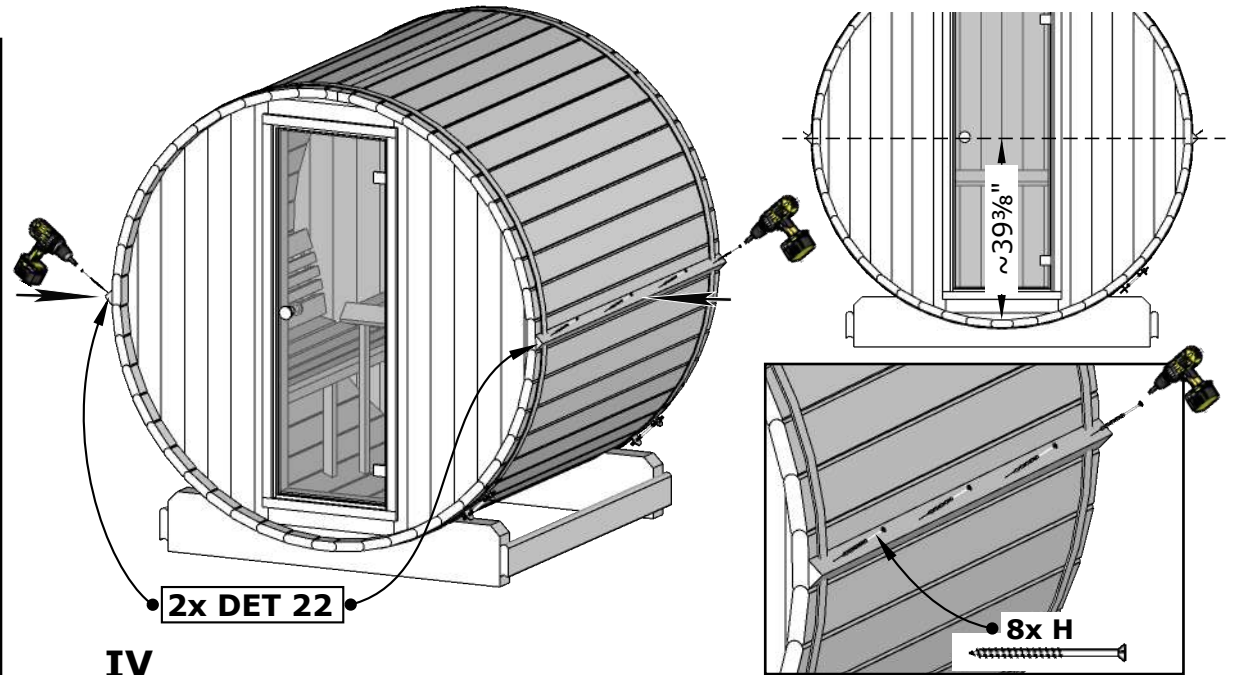
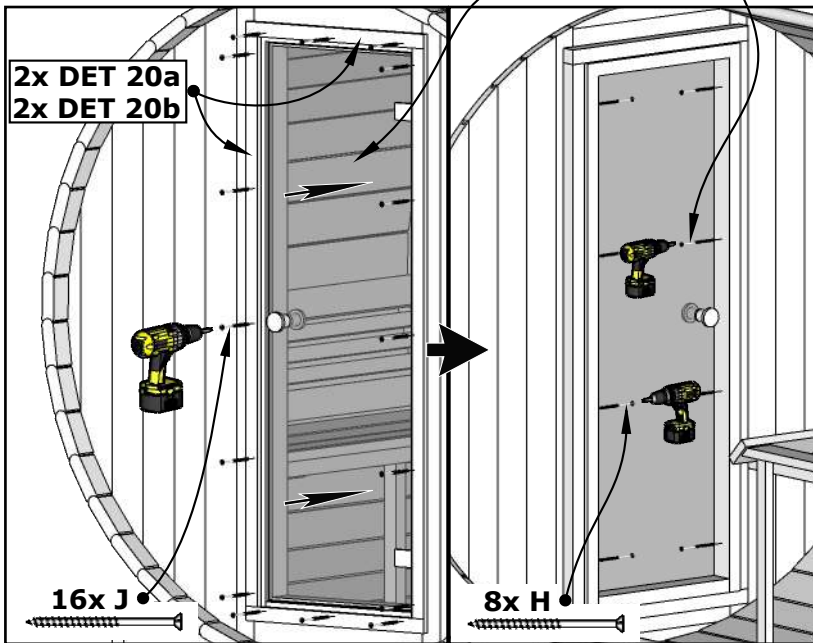
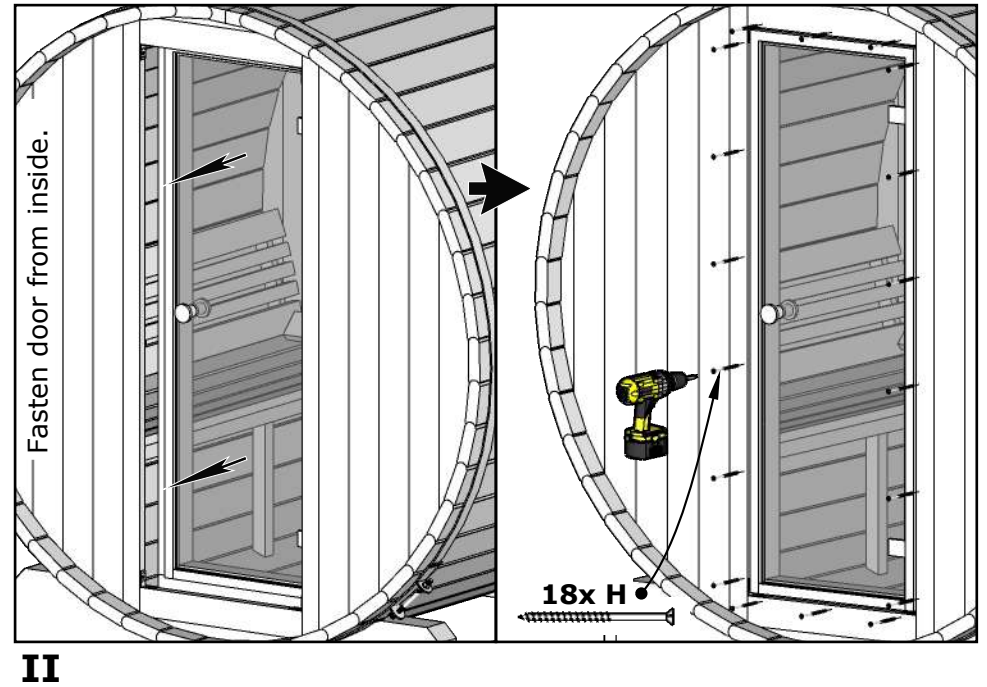
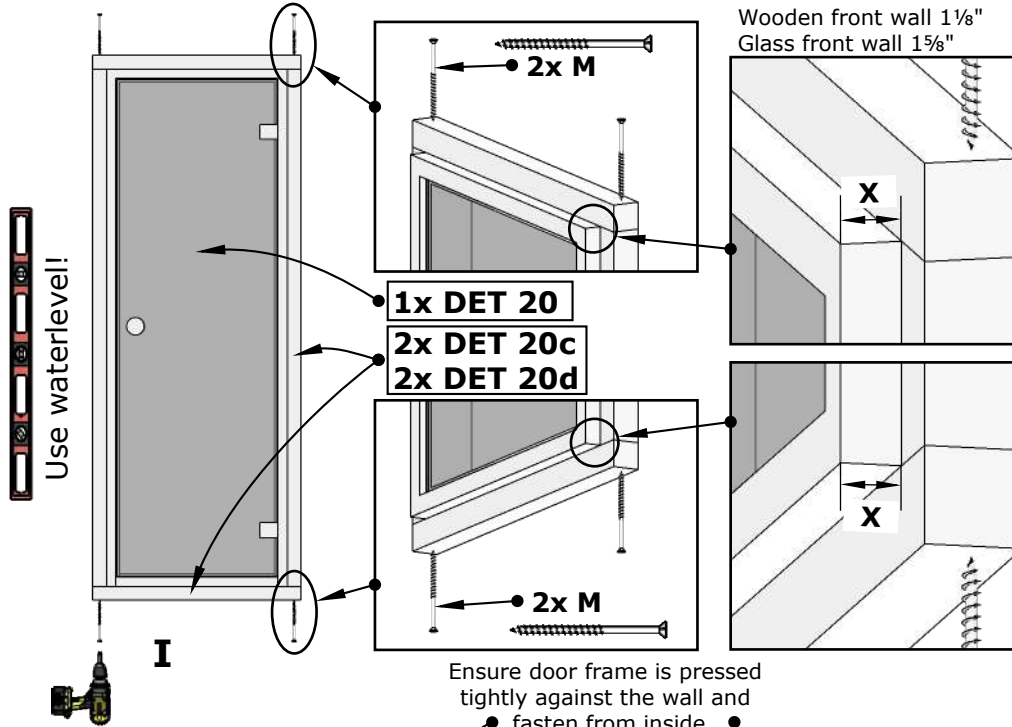
III

COMPASS Barrel Sauna 59D" x 81H"



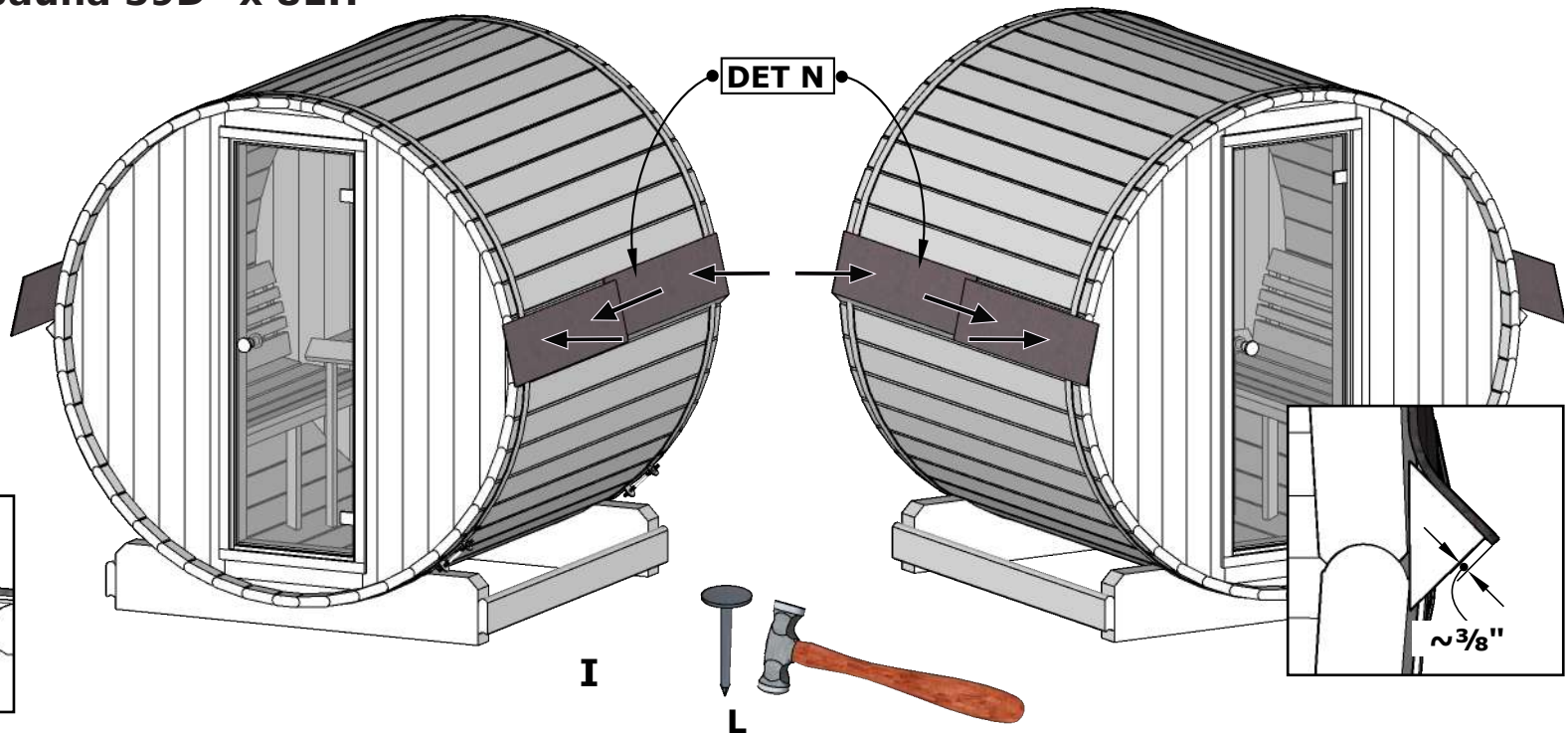
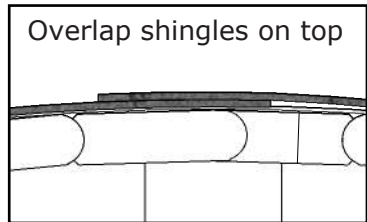
COMPASS Barrel Sauna 59D" x 81H"

X= Front wall thickness
 Wooden front wall 1 1/8"
 Glass front wall 1 5/8"

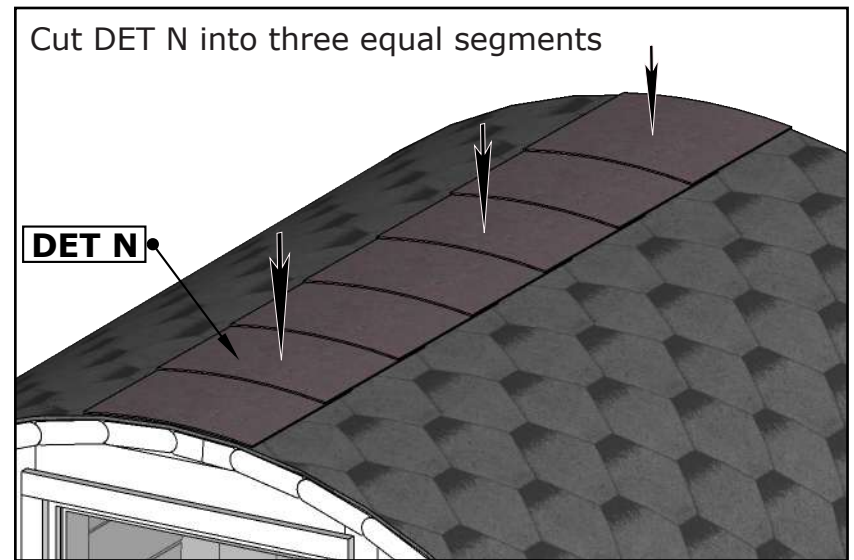
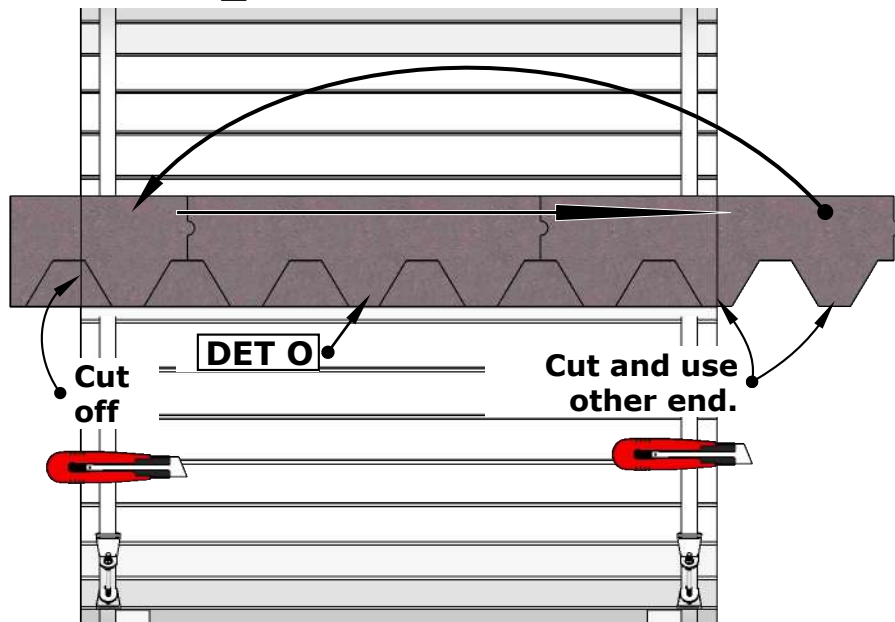


COMPASS Barrel Sauna 59D" x 81H"

See the installation manual inside the shingles package



Check also roof shingles installation manual inside package.



COMPASS Barrel Sauna 59D" x 81H"

