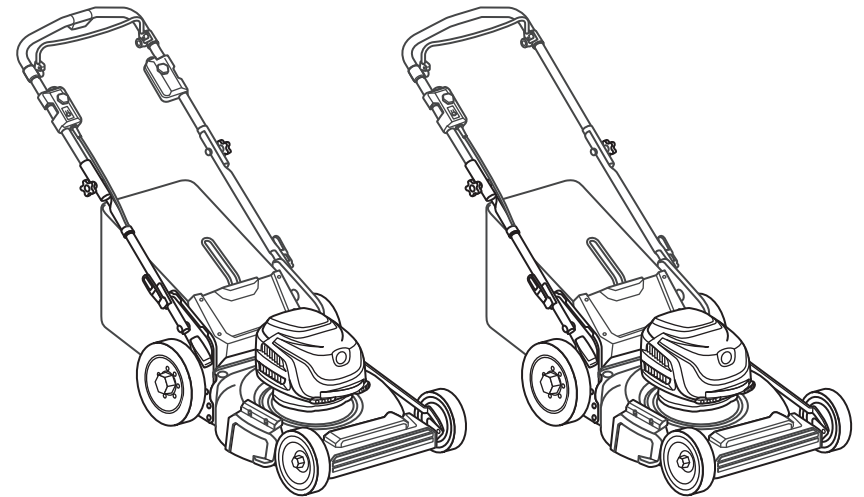


**GREEN★
MACHINE®**



Operator's Manual

62V CORDLESS LAWN MOWER



Models: GSM6200 GPM6200

! **WARNING:** To reduce the risk of the injury, the user must read and understand the operator's manual before using this product. Save these instructions for future reference.

TOLL-FREE HELPLINE: (800)541-7027

CONTENTS




Section 1	General Safety Rules	3
Section 2	Parts Diagram	9
Section 3	Technical Details	10
Section 4	Unpacking	11
Section 5	Assembly	12
Section 6	Operation	15
Section 7	Maintenance	20
Section 8	Storing the Mower	22
Section 9	Troubleshooting	23
Section 10	Limited Warranty Coverage	25

KNOW YOUR LAWN MOWER

Please read all of the following before operating your machine. The safety instructions in this manual are designed to protect your safety and guide your use of the Green Machine® Cordless Lawn Mower. Failure to read and understand the following information may create an unsafe workspace which could constitute risk of electric shock, explosions, heavy flying objects, fire, or chemical reactions. Save all warnings and instructions for future reference.

1 GENERAL SAFETY RULES

READ ALL INSTRUCTIONS BEFORE USE.

-  **WARNING!** Do not use your lawn mower without the proper safety features attached.
-  **WARNING!** Do not use any accessories other than those recommended in this manual.
-  **CAUTION:** Only use Green Machine® batteries to operate this mower.

1.1 Lawn Mower Warnings

- **Do not mow your lawn in the rain.** Lawn mowers should not be used in wet or damp conditions.
- **Keep children and bystanders away while operating your mower.** By operating away from bystanders, you are reducing the risk of injury by minimizing potential harm to people other than yourself. Additionally, you can avoid unwanted distractions which may lead to unsafe operation.
- **Wear proper clothing while operating your machine.** Do not wear loose clothing or jewelry. Keep your hair, clothing and gloves away from moving parts.
- **Always wear safety goggles or safety glasses with side shields during lawn mower operation.**
- **Only use a Lawn Mower if it is the right tool for the job.** Do not use a lawn mower for any job except that for which it is intended.
- **Keep your balance by maintaining a firm stance and footing.** Always be sure of your footing, particularly on slopes or stairs.

- **Stay alert and entirely focused when operating a power tool.** Never use your lawn mower while under the influence of alcohol or drugs. You should also avoid using your power tool while you are feeling overly tired or ill.
- **Ensure that your tool is always stored inside and out of the reach of children.**
- **Keep your lawn mower in good shape with regular maintenance.** Your lawn mower will be both more effective and much safer if the blades are properly maintained. Follow the instructions for lubricating and changing accessories.
- **Keep guard in place and in working order.**
- **Keep hands and feet away from the cutting area during use.**
- **Objects struck by the lawn mower blade can cause severe injuries to persons.** Always clear your lawn before using a lawn mower. If lawn mower strikes a foreign object, follow these steps:
 - **Stop lawn mower.** Release the switch.
 - **Inspect for damage.**
 - **Repair any damage before restarting and operating the lawn mower.** Use Green Machine® recommended replacement blades only.

1.2 Battery Lawn Mower Warnings

- **Prevent unintentional starting.** Ensure the power switch is in the off-position before connecting to battery pack, picking up or carrying the mower. Carrying the mower with your finger on the power switch or energizing the appliance that has the power switch on invites accidents..
- **Always switch off and remove your lawn mower's battery before adjusting, storing, or cleaning.**
- **Recharge only with the Green Machine® charger model GMBC6200.**
- **Power your mower with the Green Machine® batteries only, models GMBA6200-40 or GMBA6200-25.**
- **Remove all metal jewelry before handling the battery.**
- **Take special care in storing your battery pack.** Keeping your batteries away from other metal objects such as paper clips, coins, keys, nails, screws or other small metal objects will ensure safe storage.
- **Avoid any contact with liquid discharged from your battery pack.** Liquid will only be discharged from your battery pack in extreme cases, but it is important to be prepared. If contact accidentally occurs, flush the exposed area with water immediately. If liquid contacts eyes, seek medical attention.
- **Avoid excessive temperatures.** If your battery pack overheats to 212°F or more, the battery is at risk of exploding. Be mindful of lengthy exposure to intense sun or fire.
- **Follow all charging instructions and do not charge the battery pack or appliance outside of the temperature range specified in the instructions.** Charging improperly or at temperatures outside of the specified range may damage the battery and increase the risk of fire.
- **Never charge your lawn mower in damp conditions.**
- **Have your lawn mower serviced by a qualified repair person using only identical replacement parts.** This will ensure that the safety of the power tool is maintained.
- **Do not use a visibly damaged battery pack or appliance.**
- **Do not attempt to modify or repair your mower or battery pack.** Have your lawn mower serviced by a certified dealer using genuine Green Machine® replacement parts.
- **Do not open or mutilate your battery.**
- **Do not dispose of your battery with general household waste.** Check with your local authority or retailer to determine the best recycling and disposal practices.

This product uses lithium-ion (Li-ion) batteries marked with the Call2Recycle seal, which can be recycled at any US or Canada participating retailer or battery recycling facility in the Call2Recycle program. To locate a participating retailer or facility closest to you, please call 877-273-2925 or visit www.call2recycle.org. If you are unable to locate a participating retailer or facility nearby, please consult your local waste authority for information regarding available recycling and/or disposal options.



1.3 Personal Safety

⚠ WARNING! This machine is capable of amputating body parts as well as throwing objects at high speeds. Failure to observe the following safety instructions could result in serious injury or death.

Please read all of the following before operating your machine.

- **Keep clear of the discharge opening at all times.** Do not put hands or feet near or under the machine.
- **Only allow responsible adults, who are familiar with the instructions, to operate this machine.**
- **Always wear closed-toed shoes when operating your lawn mower.**
- **Avoid pulling the machine backward unless it is absolutely necessary.**
- **Never direct discharged grass clippings toward anyone.** Avoid discharging clippings against a wall or other obstruction.
- **Stop the blade when crossing gravel surfaces.**
- **Do not operate the machine without the entire grass catcher, discharge guard, rear guard, and other safety protective devices in place and working.**
- **Never leave a running machine unattended.**
- **Stop the motor and wait until the blade comes to a complete stop before cleaning the machine, removing the grass catcher, or unclogging the discharge guard.**

- **Do not operate the machine in low light.** Only mow the lawn in daylight or strong artificial lights.
- **Disengage the drive system before starting.**
- **Stay aware of your machine's movements and behavior.** If the machine should start to vibrate or behave abnormally, stop the motor and check for the cause immediately.

1.4 Slope Operation

Moving the lawn on a hill or slope can be extremely dangerous and requires extra caution. If you feel uneasy on a slope, do not mow it. Follow these general safety tips for proper operation of a lawn mower on a slope or hill:

- **Mow sideways across the face of slopes; never up and down.** Exercise extreme caution when changing direction on slopes.
- **Watch for holes, ruts, bumps, rocks, or other hidden objects.** Tall grass can hide obstacles, so you should always check thoroughly before cutting on a slope.
- **Do not mow on wet grass or excessively steep slopes.**
- **Do not mow on or near drop-offs, ditches, or embankments.**

1.5 Children

Tragic accidents can occur if the operator is not alert to the presence of children. Children are often attracted to the machine and mowing activity in general. Never assume that children will remain where you last saw them.

- **Keep children out of the mowing area and under the watchful care of a responsible adult other than the operator.**
- **Be alert and turn the mower off immediately if a child enters the mowing area.**
- **Never allow children to operate the machine.**
- **Use extra care when approaching blind corners, shrubs, trees, or other objects that may block your view of a child.**

1.6 Mower Use And Care

- **Keep all nuts and bolts tight to be sure the equipment is in safe working condition.**
- **Never do anything to interfere with the intended function of a safety device or to reduce the protection provided by a safety device.**
- **Keep the machine free of grass, leaves, or other debris build up through regular cleaning.**
- **Allow the machine to cool before storing.**
- **If you strike a foreign object, stop and inspect the machine.** Repair, if necessary, before starting.
- **Never make any adjustments or repairs with the motor running.**
- **Check grass catcher components and the discharge guard frequently.** Replace only with manufacturer's recommended parts.
- **Wrap the blade or wear gloves when servicing the mower blades.**
- **Maintain or replace safety and instruction labels as necessary.**

SAVE THESE INSTRUCTIONS

2 PARTS DIAGRAM

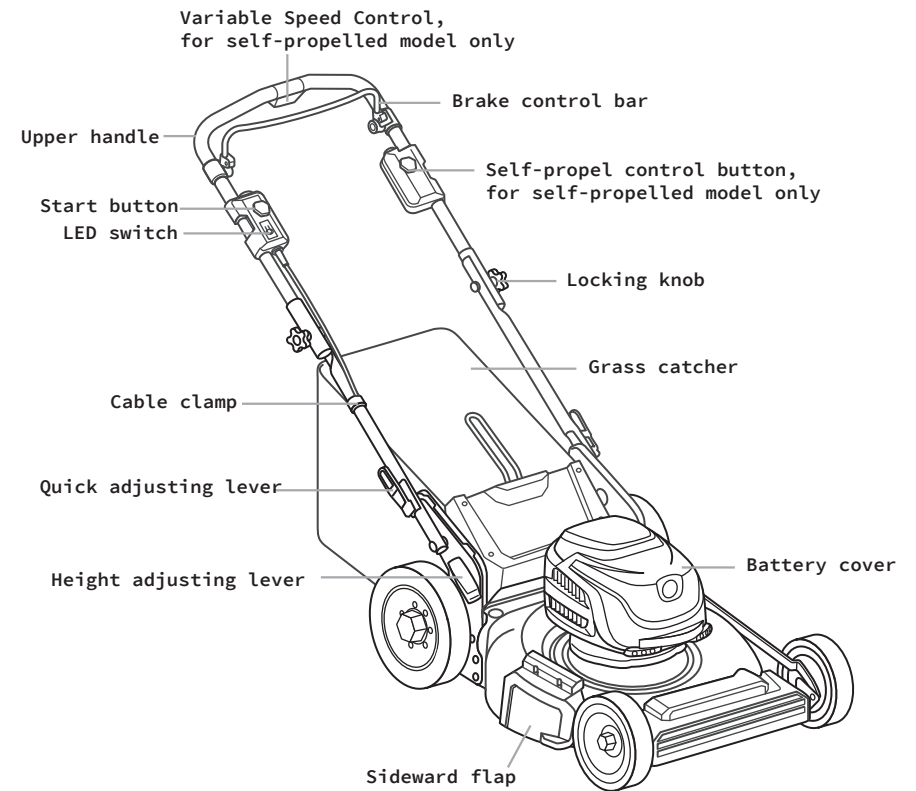


Fig. 1

3 TECHNICAL DETAILS

Cordless Lawn Mower Model	GMSM6200	GMPM6200
Voltage	62Vd.c.	62Vd.c.
No Load Speed	2700RPM	2700RPM
Self-propelled	Yes	No
Self-propel speed:	1.12-2.61mph (1.8-4.2 km/h)	NA
Blade width	22in	22in
Grass Catcher Capacity:	2.0 Bushels (70 L)	2.0 Bushels (70 L)
Wheel size	8 in front; 11 in rear	8 in front; 11 in rear
Net Weight	75.8lbs (34.4kg)	72.0lbs (32.7kg)
Height Adjustment	1.2 - 3.7 in, 6-pt adjustment	1.2 - 3.7 in, 6-pt adjustment
Lithium Battery Model Number	GMBA6200-40	
Voltage	62 Vd.c.	
Capacity	4.0Ah/216Wh	
Number of Battery cell	15pcs	
Net Weight	3.74lbs (1.7kg)	
Battery Charger Model Number	GMBC6200	
Input	100-120Va.c., 60Hz	
Output	62Vd.c,4A	
Charging Temperature Range	32 - 104 °F (0-40 °C)	

4 UNPACKING

PACKING LIST

- Green Machine® Lawn Mower
- Side Discharge Deflector
- Grass Catcher Bag
- Locking Knob and Bolt Assembly
- 62V battery pack (2 for Model GMSM6200)
- Battery charger
- Operator's manual

Follow these unpacking instructions to begin operating your lawn mower

- Carefully remove the tool and all accessories from the carton.
- Inspect the tool carefully to make sure that nothing was damaged during transportation.
- Once you have confirmed that the tool is complete and working, dispose of all packing materials using responsible recycling and disposal practices.
- If any parts are damaged or missing, please return the product to the place of purchase.
- Charge your battery pack fully before operation.

5 ASSEMBLY

⚠ WARNING! To prevent accidental starting that could cause serious personal injury, always remove the battery pack from the tool when assembling parts.

⚠ WARNING! Do not attempt to modify this tool or create accessories outside of the recommendations for this mower. Any such alteration or modification is misuse and could result in a hazardous condition leading to serious injury.

5.1 Assemble The Folding Handle

1. Press and hold the quick adjusting lever to release the lower handle. Gently pivot the handle from folding position to working position. (Fig.2A, 2B)
2. There are 3 adjusting heights to be chosen on the lawn mower. Move the lower handle up and down to adjust to the proper height. Note: The left and right sides of the lower handle must adjust to the same height. (Fig.2C)
3. Release the quick adjusting lever and continue to pivot the handle until you hear a click and see the lock pin of both sides locked in position. (Fig.2B)
4. Connect the upper handle and lower handle with bolts and locking knobs. (Fig.2D)
5. Make sure the cable clamp attaches with the correct cable. (Fig.2E)

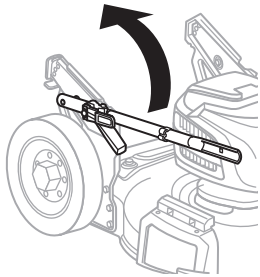
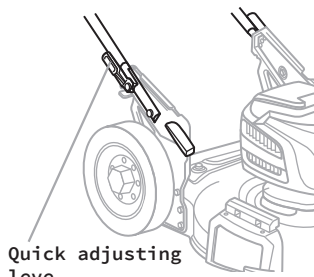


Fig. 2A



Quick adjusting
leve

Fig. 2B

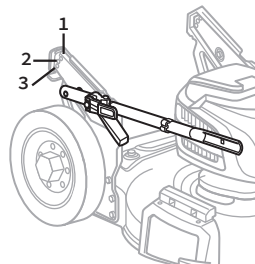


Fig. 2C

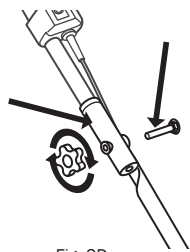
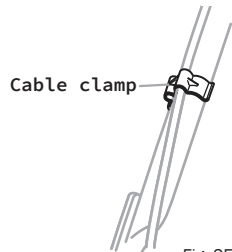


Fig. 2D



Cable clamp

Fig. 2E

5.2 Assemblies To Manage Grass Clippings

⚠ WARNING! Ensure that motor and blade are stopped.

Grass Catcher

1. Make sure that the mulch door is shut closed.
2. Raise the rear discharge cover (1, Fig 3)
3. Attach the grass catcher by inserting its frame hooks onto slots in the rear of mower (2, Fig.3).
4. Lower the rear cover.

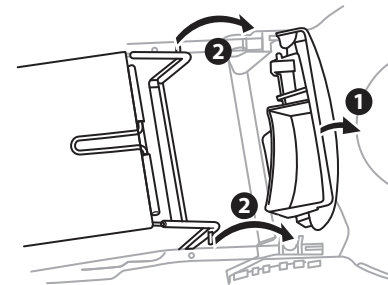


Fig. 3

Side Discharge

1. Remove the grass catcher and store it in a safe place. Lower the rear discharge cover shut.
2. Open the mulch door. (Fig.4A)
3. Install the side discharge chute under the mulch door by sliding two hooks under the hinge pin on door assembly (Fig.4B). The mower is now ready for discharge operation.

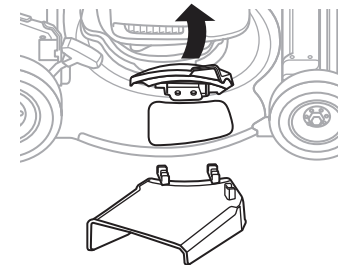


Fig. 4A

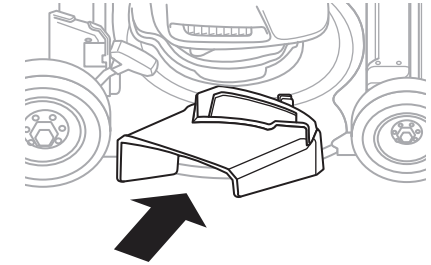


Fig. 4B

Mulching Function

1. Remove the side discharge chute and store in a safe place.
2. Close the mulch door. The mower is now ready for mulching. (Fig.5)

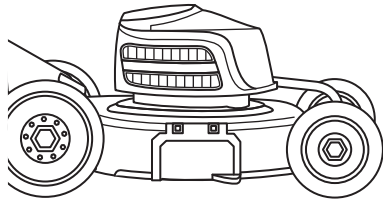


Fig. 5

5.3 Adjusting The Cutting Height

- ⚠ **WARNING!** Only make this adjustment when the blade is stopped.
- ⚠ **WARNING!** Keep your feet away from the deck when adjusting height. Adjust the cutting height to suit your requirements. The middle position is suitable for most lawns. Raise the wheels for low cut and lower the wheels for a high cut.

1. The height of the blade to the ground can be adjusted to 6 height positions from 1.2 inches to 3.7 inches.
2. To change the cutting height, squeeze the height adjuster lever toward the wheel (1, Fig.6).
3. Move the lever up or down to the desired position (2, Fig.6), release the lever to lock the wheel in position.(3, Fig.6)

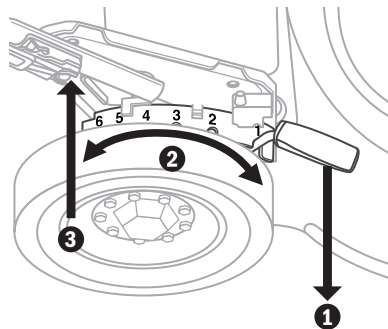


Fig. 6

6 OPERATION

6.1 To Attach And Detach The Battery

Notice: Fully charge the battery before first use.

⚠ **CAUTION:** Danger of explosion if battery is incorrectly replaced. Replace only with the same or equivalent type.

To attach the battery

1. Open the battery door. (Fig. 7A)
2. Insert the battery pack into the battery holder (Fig. 7A). Make sure the latch on the bottom of the pack snaps into place and that the battery pack is fully seated.
3. Close the battery door.

To detach the battery

1. Lift the battery release button. The battery should automatically disengage from the locking position (Fig.7B).
2. Remove the battery pack from the product.

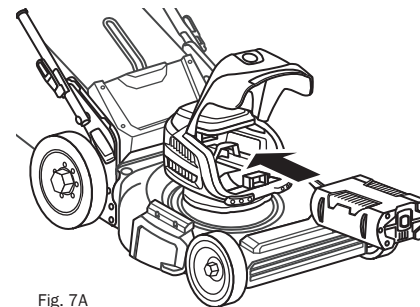


Fig. 7A

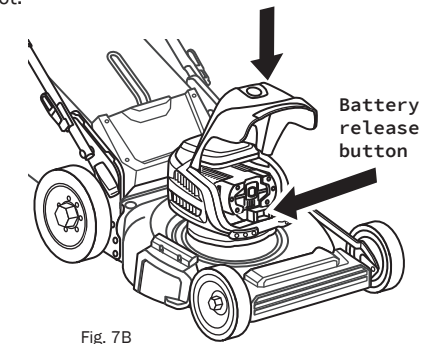


Fig. 7B

6.2 To Start Or Stop The Mower

To start the mower

1. Make sure the battery is fully seated.
2. Press the start button (Fig.8, step 1).
3. With the start button depressed, grasp the brake control bar (Fig.8, step 2).
4. Release the start button to start your mower (Fig.8, step 3).

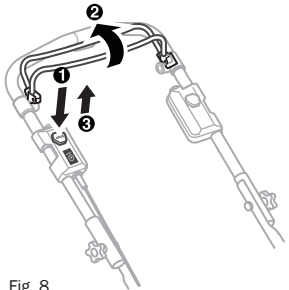


Fig. 8

To stop the mower

Fully release the brake control bar. The blade will stop in 3 seconds.

- ⚠ **CAUTION:** The blade starts turning as soon as the motor is started.
- ⚠ **WARNING!** The blade continues to rotate after the motor switch is off.

6.3 To Engage Variable-Speed Self-Propel Controls

The Green Machine® mower model GSM6200 is equipped with variable-speed, self-propel capability. This capability is designed to make mowing easier and more efficient. However, proper knowledge of its use is necessary to ensure safe mowing.

1. When your mower is running, press the self-propel control button. This will make the lawnmower move forward automatically when cutting. (Fig.9A)
2. To increase the speed, slide the variable speed control lever to the right, toward the hare. To decrease the speed, slide the same lever to the left, toward the tortoise. (Fig.9B)

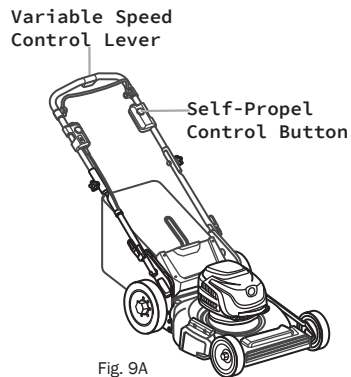


Fig. 9A

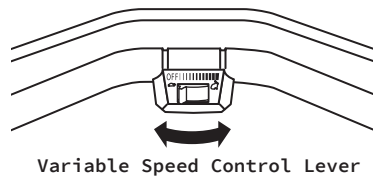


Fig. 9B

NOTE: The self-propel system is independent of the blade rotation. You can use the self-propel to move your mower without the blade running. To do so, press the self-propel control button and grasp the brake control bar. Slide the variable speed control lever to desired speed. To turn the self-propel off, release the brake control bar.

NOTE: When the variable speed control lever is pushed all the way to the OFF position, the self-propel function will stop (Fig.9B).

6.4 To Turn On LED Headlights

Your lawn mower comes equipped with LED headlights to increase vision in poor light. Notice that the headlights are not intended to replace proper lighting. You should always use your lawnmower in daylight or very bright synthetic lighting.

- The LED headlights are located on the front of the battery cover (Fig.10A).
- To turn on the lights, press the LED switch on the switch box (Fig.10B).
- To turn off the headlights, press the LED switch again.

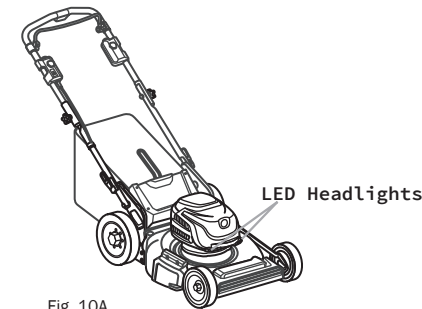


Fig. 10A

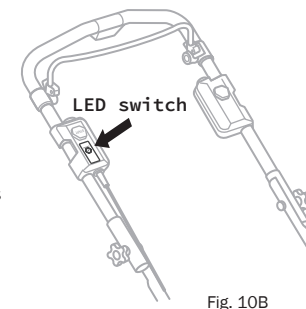


Fig. 10B

6.5 Mower-Status Indicator

The mower is equipped with a mower status indicator which displays the charge of the battery pack and the working status of the mower (Fig.11)

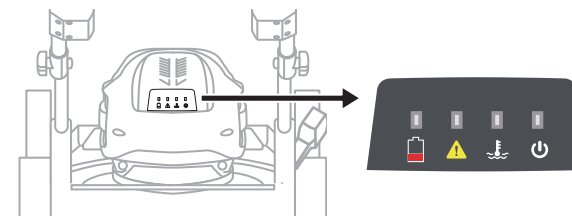


Fig. 11

MOWER STATUS INDICATOR	MEANING	SUGGESTED ACTION
Red Flashing Light	Low battery	Stop the mower and charge the battery.
Steady Yellow Light	Mower Overloaded	Raise the cutting height and restart the mower.
	Mower Failed to Start	Call customer service center.
Temperature Indicator Flashing Yellow	Mower is overheated	Remove the battery from the mower and move it to the shade to cool down.
Steady Green Light	Mower is working properly.	No action needed.

Note: The power indicator will show green if the mower is in normal hand-push working condition, self-propel working condition, or if the LED headlight is on.

6.6 Mowing Tips

! NOTICE! A sharp blade will greatly enhance the performance of the mower, especially when cutting tall grass. Make sure to check the sharpness of the blade before mowing.

! WARNING! If you strike a foreign object, stop the motor and remove the battery. Thoroughly inspect the mower for any damage, and repair the damage before restarting the mower. Excessive vibration of the mower during operation is an indication of damage.

- Before you begin, verify that the lawn is free of stones, sticks, wires, and other objects which could damage the lawn mower or motor.
- For best results, do not mow in circles. Travel back and forth across the lawn, creating a grid of cut grass.
- When cutting thick grass, reduce your walking speed in order to allow for a more effective cut and a proper discharge of the clippings.
- To maintain a healthy lawn, cut off only one-third or less of the total length of the grass.

6.7 Mulching Tips

- Release the brake control bar to turn off the mower blade when crossing any graveled areas.
- Set the mower to the highest cutting height when mowing on uneven ground or in tall growth.
- For effective mulching, do not cut wet grass; it tends to stick to the underside of the deck, preventing the proper mulching of grass clippings. The best time to mow grass is in the late afternoon, when the grass is dry and the newly cut area will not be exposed to direct sunlight.
- For the best mulching performance, set the cutting height to remove approximately one-third of the grass length. If the grass is overgrown, it may be necessary to increase the cut height to make it easier to mow and to prevent overloading the motor.
- Slow your cutting pace in tall or thick grass conditions. For mulching extremely thick or tall grass, it is advisable to first cut at a high cut-height setting, and then re-cut to the final cut height.
- Always make sure that the blade is sharp before cutting.

6.8 Safety Precautions

- Always make sure the deflector and/or the grass catcher is in the correct position.
- Always stop the motor before removing the grass catcher or adjusting the height of cutting position.
- Before mowing, remove all foreign objects from the lawn which may be thrown by the machine. While mowing, stay alert for any foreign objects which may have been missed.
- Only lift the rear of the mower while it is off and the blades have stopped.
- Never place your hands underneath the under pan or into the rear discharge chute while the motor is running.

7 MAINTENANCE

- ⚠ WARNING!** To avoid serious personal injury, always remove the battery pack from the mower before cleaning or performing any maintenance.
- ⚠ WARNING!** When servicing, use only manufacturer's recommended replacement parts and accessories. To ensure safety and reliability, all repairs should be performed by a qualified service technician.

7.1 Cleaning The Mower

- ⚠ WARNING!** Always remove the battery pack when servicing or transporting the mower.
- ⚠ WARNING!** Do not spray the unit with water. Instead, wipe the mower clean with a damp cloth.

The underside of the mower deck should be cleaned after each use. Grass clippings, leaves, dirt, and other debris will accumulate over time, causing rust and corrosion. Remove any build-up of grass and leaves on or around the drive shaft (only GMSM6200) and motor fan. Do not use water to clean debris.

7.2 Servicing The Blade

- ⚠ WARNING!** Remove the battery from the machine before servicing the blade.
- ⚠ WARNING!** Protect hands by using heavy gloves or a rag to grasp the cutting blades when necessary.

IMPORTANT NOTE: Periodically inspect the blade adapter for cracks, especially if you strike a foreign object.

To remove, sharpen or replace the blade:

1. Turn off the mower and wait for the blade to stop rotating. Remove the battery.
2. Turn the mower on its side.
3. To remove the blade, unscrew the bolt with a suitable wrench, remove the blade and store the bolt, washer, blade adapter with a flat key in a safe place for later reassembly (Fig.12A)

4. The blade can be re-sharpened by removing it and either grinding or filing the cutting edge keeping as close to the original bevel as possible. It is extremely important that each cutting edge receives an equal amount of grinding to prevent an unbalanced blade.(Fig.12B)

Improper blade balance will result in excessive vibration causing eventual damage to the engine and mower. Be sure to carefully balance blade after sharpening. The blade can be tested for balance by balancing it on a round shaft screwdriver. Remove metal from the heavy side until it balances evenly.

5. When replacing the blade, use genuine Green Machine® replacement part, PN 2105200362.

6. To reassemble, place the blade adapter with the flat key to the shaft. Make sure that the cutting edges face in the direction of the motor rotation. The bolt must be torqued to 25-30N.m.(Fig.12C/Fig.12D)

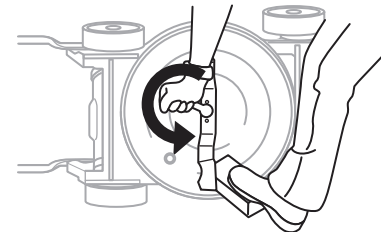


Fig. 12A



Fig. 12B

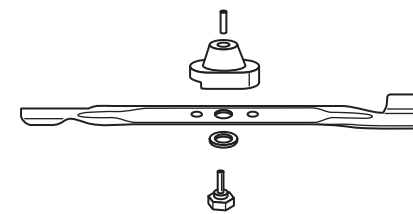


Fig. 12C

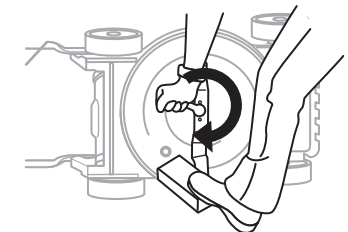


Fig. 12D

7.3 Lubrication

For best results, you should lubricate your machine at least once a season. Lubricate with light oil as directed below:

- Lubricate the height adjustment joint.
- Lubricate the bearings of the wheels.
- Lubricate the shaft holding the blade.

8 STORING THE MOWER

When your lawn mower is not in use, it will be necessary to follow proper safety procedures for storage. The following steps should be taken in order to prepare the lawn mower for storage:

1. Remove the battery pack from the mower and store it at room temperature in a dry location.
2. Clean the mower as previously described in the maintenance section.
3. Inspect the blade and replace or sharpen it if required.
4. Lubricate the mower.
5. Store the mower in a dry, clean location. **Do not store it next to corrosive materials, such as fertilizer or rock salt.**
6. Store the mower in a covered, enclosed space, that is cool and dry and out of the reach of children.
7. **Do not cover the lawn mower with a solid plastic sheet.** Plastic coverings trap moisture around the mower, which causes rust.

The handle assembly can be folded away completely for storage:

1. Remove the grass catcher.
2. Move the cutting-height adjustment lever toward the front and set it to the “1” position.
3. Press and hold the quick adjusting lever with one hand to release the handle. Gently pivot the handle from working position to the folding position of the mower. (Fig. 13A)
4. Release the quick adjusting lever and continue to pivot the handle until you see the lock pin of both sides engage in the locked storage position. You should hear a click when the handle is in the correct position. (Fig.13B)
5. In a locked position, the lower handle will engage the locking button, which will prevent starting.
6. Store the mower flat or upright (Fig.13C)

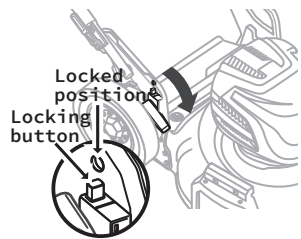


Fig. 13A

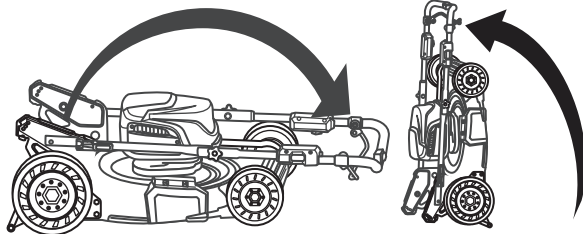


Fig. 13B

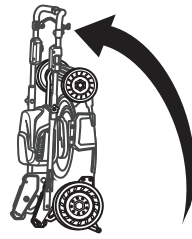


Fig. 13C

Note: The LED headlights can still be powered on in storage position.

⚠ WARNING! If the mower tips over from the upright position, mower damage or personal injury may result. Always keep the mower stable and out of the reach of children. If possible, lay it flat for storage.

9 TROUBLESHOOTING

⚠ WARNING: Before performing any maintenance or cleaning work, first remove the battery.

⚠ WARNING: Always protect your hands by wearing heavy gloves or wrapping the cutting edges when performing any maintenance on the mower blade.

⚠ WARNING: If you cannot fix your lawn mower using the following table, take your machine to a specialist company or a customer service center.

PROBLEM	POSSIBLE CAUSE	POSSIBLE SOLUTION
The mower fails to start	The battery pack has insufficient charge.	Charge the battery pack.
	The battery pack is not fully inserted.	Attach the battery pack to the mower until fully seated.
	The battery pack or the mower is too hot	Allow the battery pack or the mower to cool down.
	The mower deck is clogged with grass and/or other debris.	Clean the mower deck and make sure that the blade can move properly.
The mower cuts unevenly	The blade is dull.	Sharpen or replace the blade.
	The grass-cutting height is not set properly.	Move the height adjusting lever to a suitable place.
	The blade is assembled incorrectly.	Reassemble the blade, following the “SERVICING THE BLADE” section in this manual.

10 LIMITED WARRANTY COVERAGE

The mower does not mulch properly	Wet grass clippings are sticking to the underside of the deck.	Allow the lawn to dry before mowing.
	The cutting height is too low.	Raise the cutting height.
Grass catcher is not filling up with grass	The cutting height is too high.	Lower the cutting height.
	The grass is wet.	Allow the lawn to dry before mowing.
	The blade is blunted or damaged.	Sharpen or replace the blade.
Wheel drive does not function	The grill is dirty.	Clean the grill on the grass catcher.
	The mower's belt and/or gears are damaged.	Check the belt and gears, performing maintenance if necessary.
Lawn mower vibrates in excess during use	Damaged or broken wheels.	Check the drive wheels for damage, performing maintenance if necessary.
	The cutting blade is loose.	Tighten the outer nut.
	The cutting blade is unbalanced.	Balance the blade set according to the "SERVICING THE BLADE" section of this manual.
	The cutting blade is bent.	Replace the blade.
	The motor shaft is bent.	Contact the service center. Do not attempt to make this repair on your own.
	The cutting height is too low.	Raise the cutting height.

The manufacturer warrants that it will repair or replace, free of charge, any failure due to defects in materials or workmanship or both occurring during the applicable warranty period, subject to the exclusions and limitations set forth in the following paragraphs. Limited warranty coverage only applies to Green Machine products that are purchased from an authorized Green Machine® retailer located in the United States, U.S. territories or Canada. This warranty is effective for and is subject to the time periods and conditions stated below. For warranty service, purchaser must make the product available to the nearest Authorized Service Dealer, which can be found by contacting the help line at 800-541-7027.

Persons Covered This Limited Warranty

This warranty is valid for the original retail purchaser from the date of initial retail purchase and is not transferable.

"Consumer Use"

"Consumer Use" means personal residential household use by a retail consumer.

"Commercial Use"

"Commercial Use" means uses for commercial, income producing purposes. This warranty is void if the product has been used for rental purposes.

WARRANTY PERIOD

Item	Consumer Use	Commercial Use
Garden Tool	5 years	1 year
Battery and Charger	3 years	45 days

What are the limits on Manufacturer's Liability?

A. THE MANUFACTURER SHALL NOT BE LIABLE FOR ANY INCIDENTAL OR CONSEQUENTIAL DAMAGES OF ANY KIND RESULTING FROM THE PURCHASE, USE OR MISUSE OF, OR INABILITY TO USE THE PRODUCT INCLUDING INCIDENTAL, SPECIAL, CONSEQUENTIAL OR SIMILAR DAMAGES OR LOSS OF PROFITS, OR FOR ANY CLAIM BROUGHT AGAINST PURCHASER BY ANY OTHER PARTY. THERE ARE NO EXPRESS WARRANTIES OTHER THAN THOSE SET FORTH HEREIN. ANY WARRANTY IMPLIED BY STATE LAW (WHETHER OF MERCHANTABILITY OR FITNESS FOR A PARTICULAR USE OR OTHERWISE) SHALL BE EFFECTIVE FOR ANY PRODUCT ONLY FOR THE DURATION OF THE APPLICABLE LIMITED WARRANTY PERIOD LISTED ABOVE. SOME STATES OR JURISDICTIONS DO NOT ALLOW THE EXCLUSION OR LIMITATION OF INCIDENTAL OR CONSEQUENTIAL DAMAGES OR LIMITATIONS ON HOW LONG AN IMPLIED WARRANTY LASTS, SO THE ABOVE LIMITATIONS OR EXCLUSION MAY NOT APPLY TO YOU. THIS WARRANTY GIVES YOU SPECIFIC LEGAL RIGHTS, AND YOU MAY ALSO HAVE OTHER RIGHTS THAT VARY FROM STATE TO STATE OR JURISDICTION TO JURISDICTION. PLEASE DO NOT RETURN THIS PRODUCT TO THE PLACE OF PURCHASE.

B. This warranty applies only to products which have been properly assembled, adjusted, operated, and maintained in accordance with the instructions furnished.

C. This warranty does not apply to any product which has been subjected to alteration, misuse, abuse, improper assembly or installation, delivery damage, or to normal wear of the product.

D. This warranty does not cover normal wear of parts or damage resulting from any of the following: negligent use or misuse of the product, use on improper voltage or current, use contrary to the operating instructions, disassembly, repair or alteration by anyone other than an authorized service dealer. Further, the warranty does not cover: Acts of God, such as fire, flood, hurricanes and tornadoes.

Duties of the Consumer

A. Keep the original sales receipt for the length of the limited warranty time period as proof of purchase. Proof of purchase is required to obtain warranty. Manufacturer reserves the right to request a copy of the receipt to verify limited warranty coverage in the event a warranty repair is made to the product.

B. Use reasonable care in the maintenance, operation, and storage of the product as explained in the operators manual.

C. Transportation charges on product or parts submitted for repair or replacement under this warranty must be paid by the purchaser unless such repair or replacement is requested by the manufacturer.

Duties of the Manufacturer

A. Any defective product or part covered by this limited warranty will be repaired or replaced at the option of the Manufacturer.

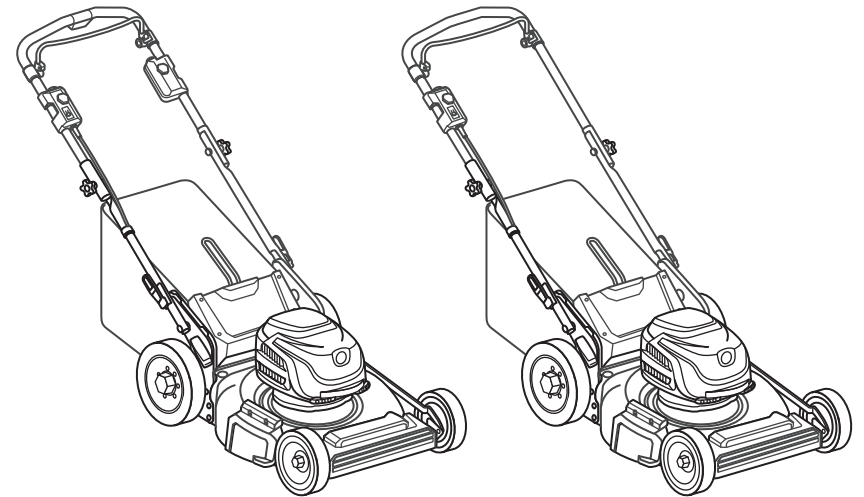
B. Product failures covered by this limited warranty will be scheduled and repaired according to the normal workflow of the Authorized Service Dealer to whom the product is delivered for service depending upon the availability of replacement parts or products.

**GREEN★
MACHINE®**



Manual del Operador

CORTADORA DE CÉSPED INALÁMBRICA 62V



Modelos: GSM6200 GPM6200

⚠ ADVERTENCIA: Para reducir el riesgo de lesiones, el usuario debe leer y comprender el manual del operador antes de usar este producto. Guarde estas instrucciones para referencia futura.

LÍNEA DE AYUDA GRATUITA: (800) 541-7027

CONTENIDO

Sección 1	Reglas Generales de Seguridad	3
Sección 2	Diagrama de Partes	9
Sección 3	Detalles Técnicos	10
Sección 4	Desempaque	11
Sección 5	Ensamble	12
Sección 6	Operación	15
Sección 7	Mantenimiento	20
Sección 8	Almacenando la Cortadora	22
Sección 9	Resolución de Problemas	23
Sección 10	Cobertura de Garantía Limitada	25

CONOZCA SU CORTADORA DE CÉSPED

Por favor lea todo lo siguiente antes de operar su máquina. Las instrucciones de seguridad de este manual están diseñadas para proteger su seguridad y guiarlo con el uso de la Cortadora de Césped Inalámbrica Green Machine®. No leer y comprender la siguiente información puede crear un espacio de trabajo inseguro que podría constituir un riesgo de descarga eléctrica, explosiones, objetos voladores pesados, fuego o reacciones químicas. Guarde todas las advertencias e instrucciones para futura referencia.

1 REGLAS GENERALES DE SEGURIDAD

LEA TODAS LAS INSTRUCCIONES ANTES DE SU USO

- ⚠ ADVERTENCIA:** No use su cortadora de césped sin los dispositivos de seguridad adjuntos.
- ⚠ ADVERTENCIA:** No use ningún accesorio diferente a aquellos recomendados en este manual.
- ⚠ PRECAUCIÓN:** Use solo las baterías Green Machine® para operar esta cortadora de césped.

1.1 Advertencias de Cortadora de Césped

- **No corte el césped bajo la lluvia. Las cortadoras de césped no deben usarse en condiciones mojadas o húmedas.**
- **Mantenga a los niños y transeúntes alejados mientras opera su cortadora de césped.** Al operar lejos de los transeúntes, está reduciendo el riesgo de lesiones al minimizar el daño potencial a otras personas además de usted. Además, puede evitar distracciones no deseadas que pueden provocar un funcionamiento inseguro.
- **Use ropa adecuada mientras opera su máquina.** No use ropa suelta o joyas. Mantenga su cabello, ropa y guantes alejados de las piezas móviles.
- **Utilice siempre gafas de seguridad o anteojos de seguridad con protección lateral durante el funcionamiento de la cortadora de césped.**
- **Utilice una cortadora de césped únicamente si es la herramienta adecuada para el trabajo.** No utilice una cortadora de césped de césped para ningún trabajo que no sea para el que está diseñada.
- **Mantenga el equilibrio manteniendo una postura y un pie firmes.** Asegúrese siempre de pisar, especialmente en pendientes o escaleras.

- **Manténgase alerta y completamente concentrado cuando opere una herramienta eléctrica.** Nunca use su cortadora de césped bajo la influencia de alcohol o drogas. También debe evitar usar su herramienta eléctrica cuando se sienta demasiado cansado o enfermo.

- **Asegúrese de que su herramienta esté siempre guardada dentro y fuera del alcance de los niños.**

- **Mantenga su cortadora de césped en buen estado con un mantenimiento regular.** Su cortadora de césped será más eficaz y mucho más segura si las cuchillas se mantienen adecuadamente. Siga las instrucciones para lubricar y cambiar accesorios.

- **Mantenga la guarda o protección en su lugar y en funcionamiento.**

- **Mantenga las manos y los pies alejados del área de corte durante el uso.**

- **Los objetos golpeados por la cuchilla de la cortadora de césped pueden causar lesiones graves a las personas.** Limpie siempre el césped antes de usar una cortadora de césped. Si la cortadora de césped golpea un objeto extraño, siga estos pasos:

- **Detenga la cortadora de césped. Suelte el interruptor.**

- **Inspeccione por daños.**

- **Repare cualquier daño antes de reiniciar y operar la cortadora de césped.** Utilice únicamente cuchillas de repuesto recomendadas por Green Machine®.

1.2 Advertencias de Cortadoras de Césped de Baterías

- **Evite un arranque involuntario.** Asegúrese de que el interruptor esté en la posición de APAGADO antes de conectarlo al paquete de baterías, levantar o transportar que su cortadora de césped. Llevar que su cortadora de césped con el dedo en el interruptor o dar energía a herramientas eléctricas que tienen el interruptor encendido puede provocar accidentes.

- **Siempre apague y retire la batería de su cortadora de césped antes de ajustar, almacenar o limpiar.**

- **Recargue solo con el cargador Green Machine® modelo GMBC6200.**

- **Energice su cortadora de césped únicamente con las baterías Green Machine®, modelos GMBA6200-40 o GMBA6200-25.**

- **Quítese todas las joyas de metal antes de manipular la batería.**

- **Tenga especial cuidado al almacenar el paquete de baterías.** Mantener las baterías alejadas de otros objetos metálicos como clips, monedas, llaves, clavos, tornillos u otros objetos metálicos pequeños garantizará un almacenamiento seguro

- **Evite cualquier contacto con el líquido que se escurra del paquete de baterías.** El líquido solo se escurrirá del paquete de baterías en casos extremos, pero es importante estar preparado. Si el contacto ocurre accidentalmente, lave el área expuesta con agua inmediatamente. Si el líquido entra en contacto con los ojos, busque atención médica.

- **Evite las temperaturas excesivas. Si su paquete de batería se sobrecalienta a 212 °F o más, la batería corre el riesgo de explotar.** Tenga en cuenta la exposición prolongada al sol intenso o al fuego.

- **Siga todas las instrucciones de carga y no cargue la batería o la herramienta fuera del rango de temperatura especificado en las instrucciones.** La carga incorrecta o a temperaturas fuera del rango especificado puede dañar la batería y aumentar el riesgo de incendio.

- **Nunca cargue su cortadora de césped en condiciones de humedad.**

- **Lleve que su cortadora de césped sea reparada por un técnico calificado que utilice solo piezas de repuesto idénticas.** Esto garantizará que se mantenga la seguridad de la herramienta eléctrica.

- **No utilice una batería o un aparato que esté visiblemente dañado.**

- **No intente modificar o reparar su cortadora de césped o el paquete de baterías.** Haga que su cortadora de césped sea reparada por un distribuidor certificado utilizando piezas de repuesto originales de Green Machine®.

- **No abra ni mutile su batería.**

▪ **No deseche la batería con la basura doméstica general.** Consulte con su autoridad local o minorista para determinar las mejores prácticas de reciclaje y eliminación.

Este producto utiliza baterías de iones de litio (Li-ion) marcadas con el sello Call2Recycle, que se pueden reciclar en cualquier tienda minorista o instalación de reciclaje de baterías participante de los Estados Unidos o Canadá. Para ubicar un minorista participante o una instalación más cercana a usted, llame al 877-273-2925 o visite www.call2recycle.org. Si no puede localizar un minorista participante o una instalación cercana, consulte a la autoridad local de desechos para obtener información sobre las opciones disponibles de reciclaje y desecho.



1.3 Seguridad Personal

⚠ ADVERTENCIA: Esta máquina es capaz de amputar partes del cuerpo y de lanzar objetos a altas velocidades. El incumplimiento de las siguientes instrucciones de seguridad podría provocar lesiones graves o la muerte.

Por favor lea todas las siguientes antes de operar su máquina.

- **Manténgase alejado de la abertura de descarga en todo momento.** No coloque las manos ni los pies cerca o debajo de la máquina.
- **Solo permita que adultos responsables, que estén familiarizados con las instrucciones, operen esta máquina.**
- **Siempre use zapatos con punta cerrada cuando opere su cortadora de césped.**
- **Evite tirar de la máquina hacia atrás a menos que sea absolutamente necesario.**
- **Nunca dirija los recortes de césped descargados hacia nadie.** Evite descargar recortes contra una pared u otra obstrucción.
- **Detenga la cuchilla al cruzar superficies de grava.**
- **No opere la máquina sin el recogedor de césped completo, el protector de descarga, el protector trasero y otros dispositivos de protección de seguridad en su lugar y funcionando.**
- **Nunca deje una máquina en funcionamiento sin supervisión.**
- **Detenga el motor y espere hasta que la cuchilla se detenga por completo antes de limpiar la máquina, quitar el recogedor de césped o desatascar la protección de descarga.**
- **No opere la máquina con poca luz.** Solo corte el césped a la luz del día o con luces artificiales fuertes.
- **Desactive el sistema de transmisión antes de comenzar.**
- **Sea consciente de los movimientos y el comportamiento de su máquina.** Si la máquina comienza a vibrar o se comporta de manera anormal, detenga el motor y verifique la causa de inmediato.

1.4 Operación en Pendientes

Mover la cortadora en una colina o pendiente puede ser extremadamente peligroso y requiere de precaución adicional. Si usted se siente inquieto en una pendiente, no la llegue a podar. Siga estos consejos de seguridad generales para una operación apropiada de la cortadora de césped en una pendiente o colina:

- Corte de lado a lo largo de la cara de las pendientes; nunca hacia arriba y abajo. Tenga mucho cuidado al cambiar de dirección en las pendientes.
- Esté atento a los hoyos, surcos, baches, rocas u otros objetos ocultos. La hierba alta puede ocultar obstáculos, por lo que siempre debe revisar detenidamente antes de cortar en una pendiente.
- No corte césped mojado o pendientes excesivamente empinadas.
- No corte en o cerca de desniveles, zanjas o terraplenes.

1.5 Niños

Pueden ocurrir accidentes trágicos si el operador no está alerta a la presencia de niños. Los niños a menudo se sienten atraídos por la máquina y la actividad de corte en general. Nunca asuma que los niños permanecerán donde los vio por última vez..

- **Mantenga a los niños fuera del área de corte y bajo la vigilancia de un adulto responsable que no sea el operador.**
- **Esté alerta y apague la cortadora de césped inmediatamente si un niño ingresa al área de corte.**
- **Nunca permita que los niños operen la máquina.**
- **Tenga mucho cuidado al acercarse a esquinas ciegas, arbustos, árboles u otros objetos que puedan bloquear la vista de un niño.**

1.6 Uso Y Cuidado De La Cortadora De Césped

- **Mantenga todos los tornillos y tuercas apretados para asegurarse de que el equipo esté en condiciones de trabajo seguras.**
- **Nunca haga nada que interfiera con la función prevista de un dispositivo de seguridad o para reducir la protección proporcionada por un dispositivo de seguridad.**
- **Mantenga la máquina libre de césped, hojas u otros residuos acumulados mediante una limpieza regular.**
- **Deje que la máquina se enfríe antes de guardarla.**
- **Si golpea un objeto extraño, deténgase e inspeccione la máquina.** Repare, si es necesario, antes de comenzar.
- **Nunca realice ajustes o reparaciones con el motor en marcha.**
- **Revise los componentes del recogedor de césped y la protección de descarga con frecuencia.** Reemplace solo con las piezas recomendadas por el fabricante.

- **Envuelva la cuchilla o use guantes cuando le dé mantenimiento a las cuchillas de la cortadora de césped.**
- **Mantenga o reemplace las etiquetas de seguridad e instrucciones según sea necesario.**

GUARDE ESTAS INSTRUCCIONES

2 DIAGRAMA DE PARTES

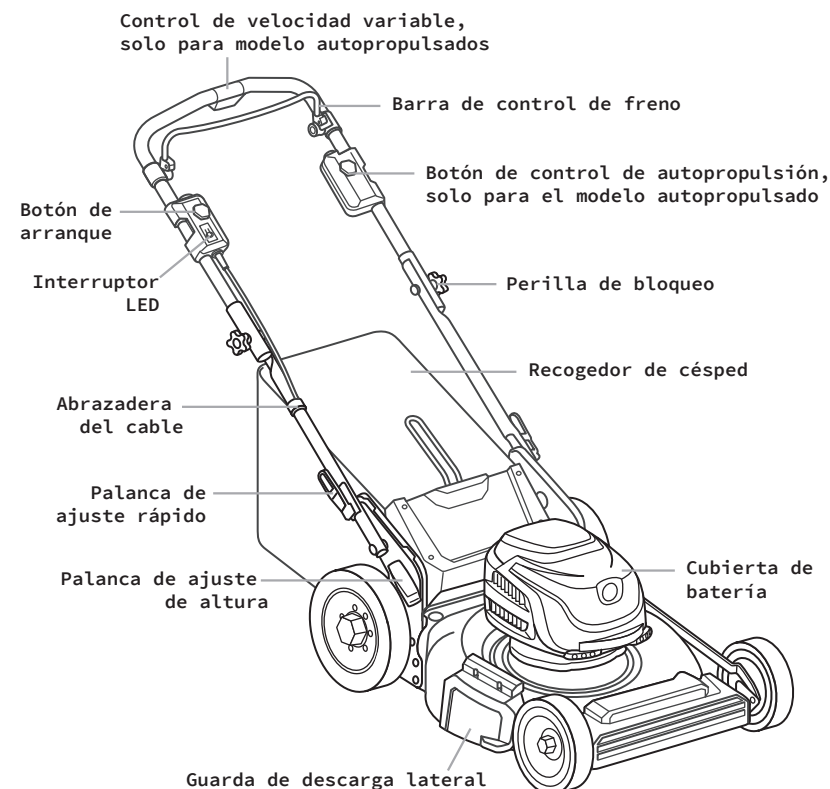


Fig. 1

3 DETALLES TÉCNICOS

Modelo de Cortadora de Césped Inalámbrica	GMSM6200	GMPM6200
Voltaje	62Vd.c.	62Vd.c.
Velocidad sin Carga	2700RPM	2700RPM
Autopropulsión	Si	No
Velocidad de autopropulsión:	1.12-2.61mph (1.8-4.2 km/h)	NA
Ancho de cuchilla	22 pulgadas	22 pulgadas
Capacidad del Recogedor de Césped:	2.0 Bushels (70 L)	2.0 Bushels (70 L)
Tamaño de Llanta	8 en frente; 11 en la parte trasera	8 en frente; 11 en la parte trasera
Peso Neto	75.8lbs (34.4kg)	72.0lbs (32.7kg)
Ajuste de Altura	1.2 – 3.7 in, Ajuste de 6 partes	1.2 – 3.7 in, Ajuste de 6 partes
Número de Modelo de Batería de Litio	GMBA6200-40	
Voltaje	62 Vd.c.	
Capacidad	4.0Ah/216Wh	
Número de Célula de Batería	15 piezas	
Peso Neto	3.74lbs (1.7kg)	
Número de Modelo del Cargador de Baterías	GMBC6200	
Voltaje de Entrada	100-120Va.c., 60Hz	
Voltaje de Salida	62Vd.c,4A	
Rango de Temperatura de Carga	32 - 104 °F (0-40 °C)	

4 DESEMPAQUE

LISTA DE EMPAQUE

- Cortadora de Césped Green Machine®
- Deflector de Descarga Lateral
- Bolsa Recogedora de Césped
- Ensamble de Perno y Perilla de Bloqueo
- Paquete de batería de 62V (2 para el Modelo GMSM6200)
- Cargador de batería
- Manual del operador

Siga las siguientes instrucciones de desempaque para empezar a operar su cortadora de césped

- Retire con cuidado la herramienta y todos los accesorios de la caja.
- Inspeccione la herramienta con cuidado para asegurarse de que no haya ningún daño durante el transporte.
- Una vez que haya confirmado que la herramienta está completa y funcionando, deseche todos los materiales de embalaje utilizando prácticas responsables de reciclaje y eliminación.
- Si falta alguna pieza o está dañada, devuelva el producto al lugar de compra.
- Cargue la batería completamente antes de la operación.

5 ENSAMBLE

⚠ ¡ ADVERTENCIA! Para prevenir arranques accidentales que pueden causar lesión personal grave, siempre remueva el paquete de baterías de la herramienta cuando ensambla las partes.

⚠ ¡ ADVERTENCIA! No intente modificar esta herramienta ni intente crear accesorios fuera de las recomendaciones de esta cortadora de césped. Cualquier dicha alteración o modificación es un mal uso y puede resultar en una condición peligrosa que puede llevar a una lesión seria.

5.1 Ensamble La Manija Plegable

1. Mantenga presionada la palanca de ajuste rápido para soltar la manija inferior. Gire suavemente el mango de la posición de plegado a la posición de trabajo. (Fig. 2A, 2B)
2. Hay 3 alturas de ajuste para elegir en la cortadora de césped. Mueva la manija inferior hacia arriba y hacia abajo para ajustarla a la altura adecuada. Nota: Los lados izquierdo y derecho del mango inferior deben ajustarse a la misma altura. (Fig. 2C)
3. Suelte la palanca de ajuste rápido y continúe girando la manija hasta que escuche un clic y vea el pasador de bloqueo de ambos lados bloqueado en su posición. (Fig. 2B)
4. Conecte la manija superior y la manija inferior con pernos y perillas de bloqueo. (Fig. 2D)
5. Asegúrese de que la abrazadera del cable se conecte con el cable correcto. (Fig. 2E)

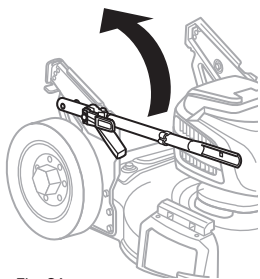


Fig. 2A



Palanca de ajuste rápido

Fig. 2B

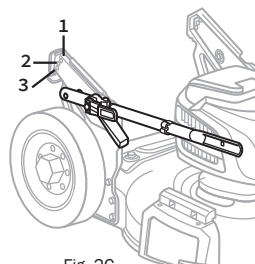


Fig. 2C

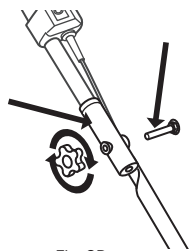
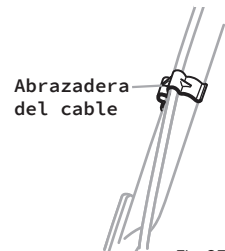


Fig. 2D



Abrazadera del cable

Fig. 2E

5.2 Ensamblajes Para Manejar Los Recortes De Césped

⚠ ¡ ADVERTENCIA! Asegúrese que el motor y la cuchilla estén detenidos.

Recogedor de Césped

1. Asegúrese de que la puerta del mantillo esté cerrada.
2. Levante la tapa de descarga trasera (1, Fig. 3)
3. Coloque el recogedor de césped insertando los ganchos del marco en las ranuras de la parte trasera de la cortadora de césped (2, Fig.3).
4. Baje la tapa trasera.

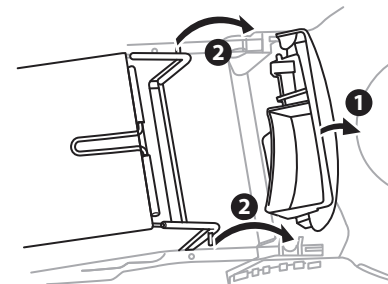


Fig. 3

Descarga Lateral

1. Retire el recogedor de césped y guárdelo en un lugar seguro. Cierre la tapa de descarga trasera.
2. Abra la puerta del mantillo. (Fig. 4A)
3. Instale el conducto de descarga lateral debajo de la puerta de mantillo deslizando dos ganchos debajo del pasador de la bisagra en el conjunto de la puerta (Fig. 4B). La cortadora de césped está ahora lista para la operación de descarga.

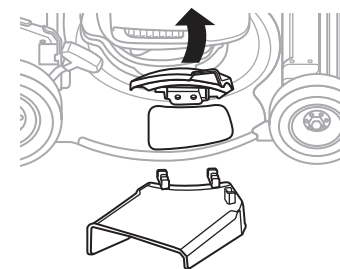


Fig. 4A

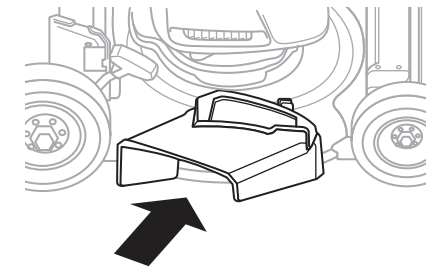


Fig. 4B

Función de Cubierta de Mantillo

1. Remueva el conducto de descarga lateral y guárdelo en un lugar seguro.
2. Cierre la puerta del mantillo. La cortadora de césped está ahora lista para la operación de mantillo. (Fig. 5)

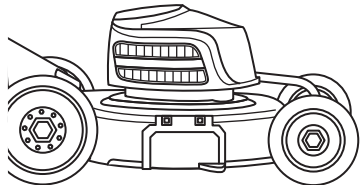


Fig. 5

5.3 Ajustando La Altura De Corte

⚠ ¡ADVERTENCIA! Solo haga este ajuste cuando la cuchilla no está en movimiento.

⚠ ¡ADVERTENCIA! Mantenga sus pies lejos de la cubierta cuando ajusta la altura.

Ajuste la altura de corte según sus necesidades. La posición intermedia es adecuada para la mayoría de césped. Levante las ruedas para un corte bajo y baje las ruedas para un corte alto.

1. La altura de la hoja al suelo se puede ajustar a 6 posiciones de altura desde 1.2 pulgadas a 3.7 pulgadas.
2. Para cambiar la altura de corte, apriete la palanca de ajuste de altura hacia la rueda (1, Fig. 6).
3. Mueva la palanca hacia arriba o hacia abajo hasta la posición deseada (2, Fig. 6), suelte la palanca para bloquear la rueda en su posición. (3, Fig. 6)

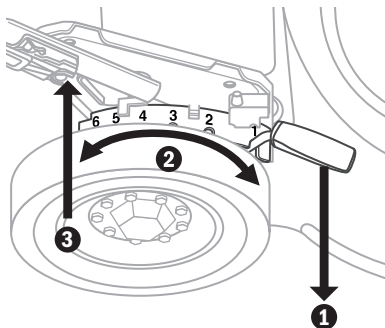


Fig. 6

6 OPERACIÓN

6.1 Para Adjuntar Y Remover La Batería

Aviso: Cargue la batería por completo antes de su primer uso.

⚠ PRECAUCIÓN: Peligro de explosión si la batería es reemplazada incorrectamente. Reemplace sólo con el mismo tipo o equivalente.

Para adjuntar la batería.

1. Abra la puerta de la batería. (Fig. 7A)
2. Inserte el paquete de batería en el sostenedor de batería (Fig. 7A) Asegúrese que el pestillo de la parte inferior del paquete encaje en su lugar y que el paquete de baterías esté completamente asentado.
3. Cierre la compuerta de la batería

Para remover la batería

1. Levante el botón de liberación de la batería. La batería debe desengancharse automáticamente de la posición de bloqueo (Fig. 7B).
2. Remueva el paquete de baterías del producto.

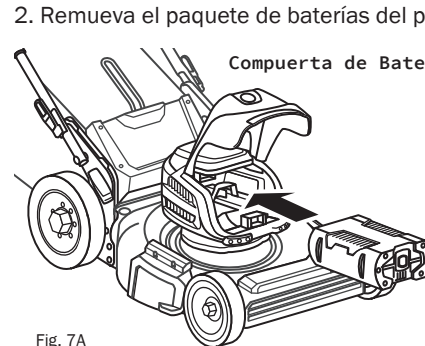


Fig. 7A

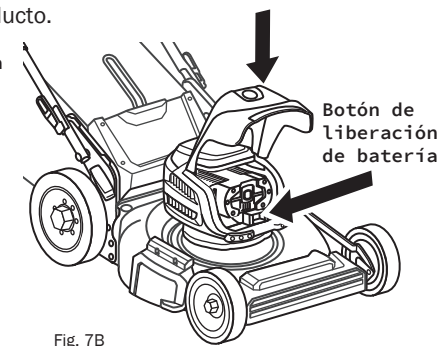


Fig. 7B

6.2 Para Arrancar O Detener La Cortadora De Césped

Para arrancar la cortadora de césped

1. Asegúrese de que la batería esté completamente asentada.
2. Presione el botón de inicio (Fig. 8)
3. Con el botón de inicio presionado, agarre la barra de control del freno.
4. Suelte el botón de inicio para encender su cortadora de césped.

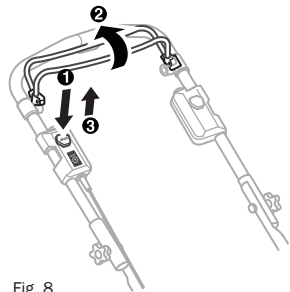


Fig. 8

Para detener la cortadora de césped

Completamente libere la barra de control de freno. La cuchilla se detendrá en 3 segundos.

⚠ PRECAUCIÓN: La cuchilla empezará a girar tan pronto se arranque el motor.

⚠ ¡ADVERTENCIA! La cuchilla continúa rotando después de que el motor se apague.

6.3 Para Activar Controles De Autopropulsión De Velocidad Variable

La cortadora de césped Green Machine® modelo GSM6200 está equipada con capacidad de autopropulsión de velocidad variable. Esta capacidad está diseñada para hacer que cortar el césped sea más fácil y eficiente. Sin embargo, es necesario un conocimiento adecuado de su uso para garantizar un corte seguro.

1. Cuando su cortadora de césped esté funcionando, presione el botón de control de autopropulsión. Esto hará que el cortacésped avance automáticamente al cortar. (Fig. 9A)
2. Para aumentar la velocidad, deslice el dial de control de velocidad de autopropulsión hacia la derecha, hacia la liebre. Para disminuir la velocidad, deslice el mismo dial hacia la izquierda, hacia la tortuga. (Fig. 9B)

Perilla de control de velocidad de autopropulsión

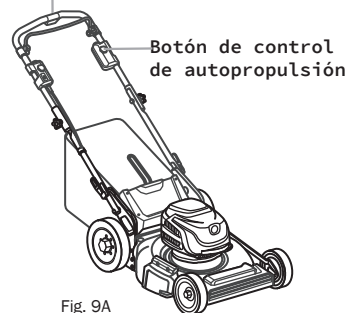


Fig. 9A

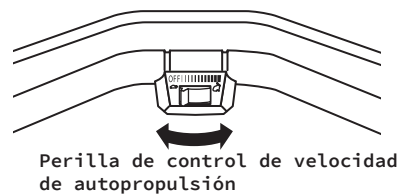


Fig. 9B

NOTA: El sistema de autopropulsión es independiente de la rotación de la hoja. Puede utilizar la autopropulsión para mover su cortadora de césped sin que la cuchilla funcione. Para hacerlo, presione el botón de control de autopropulsión y agarre la barra de control del freno. Deslice el dial de control de velocidad de autopropulsión a la velocidad deseada. Para apagar la autopropulsión, suelte la barra de control del freno.

NOTA: Cuando el dial de control de velocidad de autopropulsión se empuja hasta la posición de APAGADO, la función de autopropulsión se detendrá (Fig. 9B).

6.4 Para Encender Los Faros

Su cortadora de césped viene equipada con faros LED para aumentar la visión con poca luz. Tenga en cuenta que los faros delanteros no están destinados a reemplazar la iluminación adecuada. Siempre debe usar su cortadora de césped a la luz del día o con iluminación artificial muy brillante.

- Los faros LED se encuentran en la parte frontal de la tapa de la batería (Fig. 10A).
- Para encender las luces, presione el interruptor LED en la caja de interruptores (Fig. 10B).
- Para apagar los faros, presione nuevamente el interruptor LED.

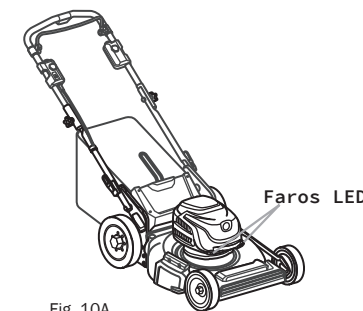


Fig. 10A

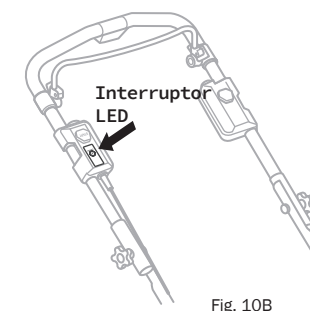


Fig. 10B

6.5 Indicador De Estatus De La Cortadora De Césped

La cortadora de césped está equipada con un indicador de estatus el cual muestra la carga del paquete de baterías y el estatus de trabajo de la cortadora de césped. (Fig. 11)

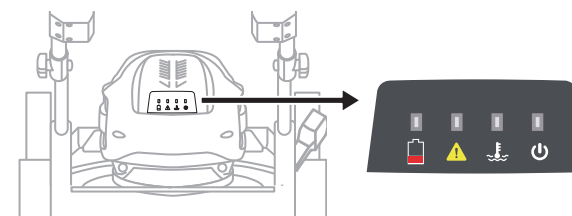


Fig. 11

INDICADOR DE ESTATUS DE CORTADORA DE CÉSPED	SIGNIFICADO	ACCIÓN SUGERIDA
Luz Roja Parpadeando	Batería Baja	Detenga la cortadora de césped y cargue la batería.
Luz Amarilla Constante	Sobrecarga de la Cortadora de Césped	Suba la altura del corte y reinicie la cortadora.
	La Cortadora de Césped Falló en Iniciar	Llame al centro de servicio al cliente.
El Indicador de Temperatura Parpadeando Amarillo	La Cortadora de Césped está sobrecargada.	Remueva la batería de la cortadora y muévela a la sombra para que se enfríe.
Luz Verde Constante	La cortadora de césped está trabajando adecuadamente.	No se requiere ninguna acción.

Nota: El indicador de encendido se iluminará en verde si la cortadora de césped está en condiciones normales de trabajo de empuje manual, condiciones de trabajo de autopropulsión o si el faro LED está encendido.

6.6 Consejos Para Corte

¡AVISO! Una cuchilla afilada mejorará enormemente el rendimiento de la cortadora de césped, especialmente al cortar césped alto. Asegúrese de comprobar el filo de la cuchilla antes de cortar.

¡ADVERTENCIA! Si golpea un objeto extraño, detenga el motor y retire la batería. Inspeccione minuciosamente la cortadora de césped para detectar cualquier daño y repare el daño antes de volver a encenderla. La vibración excesiva de la cortadora de césped durante el funcionamiento es una indicación de daño.

- Antes de comenzar, verifique que el césped esté libre de piedras, palos, cables y otros objetos que puedan dañar el cortacésped o el motor.
- Para obtener mejores resultados, no corte en círculos. Viaja hacia adelante y hacia atrás por el césped, creando una cuadrícula de césped cortado.
- Al cortar césped espeso, reduzca la velocidad al caminar para permitir un corte más efectivo y una descarga más adecuada de los recortes.
- Para mantener un césped sano, corte solo un tercio o menos de la longitud total del césped.

6.7 Consejos De Cubierta En Mantillo

- Suelte la barra de control del freno para apagar la cuchilla de la cortadora de césped cuando cruce cualquier área con grava.
- Ajuste la cortadora de césped a la altura de corte más alta cuando corte en terrenos irregulares o en zonas altas.
- Para una cubierta de mantillo eficaz, no corte el césped húmedo; tiende a adherirse a la parte inferior de la plataforma, lo que impide el triturado adecuado de los recortes de césped. El mejor momento para cortar el césped es al final de la tarde, cuando el césped está seco y el área recién cortada no estará expuesta a la luz solar directa.
- Para obtener el mejor rendimiento de cubierta de mantillo, configure la altura de corte para eliminar aproximadamente un tercio de la longitud del césped. Si el césped está demasiado grande, puede ser necesario aumentar la altura de corte para facilitar el corte y evitar la sobrecarga del motor.
- Reduzca el ritmo de corte en condiciones de hierba alta o espesa. Para triturar césped extremadamente grueso o alto, se recomienda cortar primero a una altura de corte alta y luego volver a cortar hasta la altura de corte final.
- Asegúrese siempre de que la hoja esté afilada antes de cortar.

6.8 Precauciones De Seguridad

- Asegúrese siempre de que el deflector y / o el recogedor de césped estén en la posición correcta.
- Siempre detenga el motor antes de retirar el recogedor de césped o ajustar la altura de la posición de corte.
- Antes de cortar el césped, retire todos los objetos extraños del césped que puedan ser arrojados por la máquina. Mientras corta el césped, manténgase alerta a cualquier objeto extraño que pueda haber pasado por alto.
- Levante la parte trasera de la cortadora de césped solo cuando esté apagada y las cuchillas se hayan detenido.
- Nunca coloque sus manos debajo de la bandeja inferior o en el conducto de descarga trasero mientras el motor está funcionando.

7 MANTENIMIENTO

¡ADVERTENCIA! Para evitar lesiones personales graves, siempre retire el paquete de baterías de la cortadora de césped antes de limpiar o realizar cualquier mantenimiento.

¡ADVERTENCIA! Al realizar el servicio, utilice solo los repuestos y accesorios recomendados por el fabricante. Para garantizar la seguridad y confiabilidad, todas las reparaciones deben ser realizadas por un técnico de servicio calificado.

7.1 Limpiando Al Cortadora De Césped

¡ADVERTENCIA! Siempre remueva el paquete de baterías cuando le dé servicio o cuando mueva la cortadora de césped.

¡ADVERTENCIA! No rocíe la unidad con agua. En lugar de ello, limpie la cortadora de con una toalla húmeda.

La parte inferior de la plataforma de corte debe limpiarse después de cada uso. Los recortes de césped, las hojas, la suciedad y otros desechos se acumularán con el tiempo, lo que provocará óxido y corrosión. Elimine cualquier acumulación de césped y hojas en o alrededor del eje de transmisión (solo GMSM6200) y el ventilador del motor. No use agua para limpiar los escombros.

7.2 Dándole Mantenimiento A La Cuchilla

¡ADVERTENCIA! Remueva la batería de la máquina antes de dar mantenimiento a la cuchilla.

¡ADVERTENCIA! Protéjase las manos usando guantes gruesos o un trapo para agarrar las hojas de corte cuando sea necesario.

NOTA IMPORTANTE: Inspeccione periódicamente el adaptador de la cuchilla en busca de grietas, especialmente si golpea un objeto extraño.

Para remover, afilar o reemplazar la cuchilla:

1. Apague la cortadora de césped y espere a que la cuchilla deje de girar. Quite la batería.
2. Gire la cortadora de césped de lado.
3. Para quitar la cuchilla, desenrosque el perno con una llave adecuada, retire la cuchilla y guarde el perno, la arandela y el adaptador de la cuchilla con una llave plana en un lugar seguro para volver a montarlo posteriormente (Fig. 12A)

4. La hoja se puede volver a afilar retirándola y puliendo o limando el borde de corte manteniéndolo lo más cerca posible del bisel original. Es extremadamente importante que cada borde de corte reciba la misma cantidad de pulido para evitar una hoja desequilibrada (Fig. 12B).

El equilibrio inadecuado de la hoja dará como resultado una vibración excesiva que eventualmente dañará el motor y la cortadora de césped. Asegúrese de equilibrar cuidadosamente la hoja después de afilarla.

Se puede probar el equilibrio de la hoja balanceándola en un destornillador de eje redondo. Retire el metal del lado pesado hasta que se equilibre uniformemente.

5. Cuando reemplace la hoja, use una pieza de repuesto original de Green Machine®, PN 2105200362.

6. Para volver a montar, coloque el adaptador de la cuchilla con la llave plana en el eje. Asegúrese de que los bordes de corte estén orientados en la dirección de rotación del motor. El perno debe apretarse a un par de 25-30 N.m. (Fig. 12C / Fig. 12D)

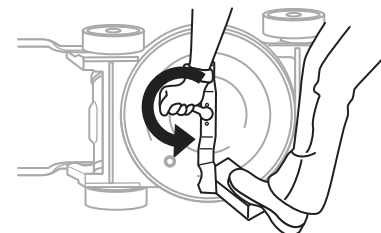


Fig. 12A



Fig. 12B

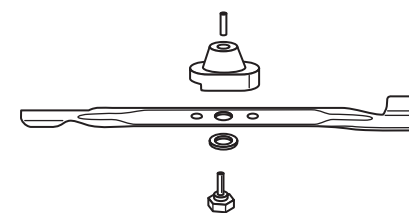


Fig. 12C

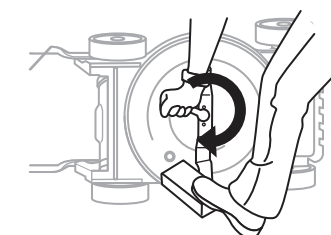


Fig. 12D

7.3 Lubricación

Para mejores resultados, usted debe lubricar su máquina al menos una vez por temporada. Lubrique con aceite ligero según se instruye a continuación:

- Lubrique la articulación de ajuste de altura.
- Lubrique las balineras de las llantas.
- Lubrique el eje que sostiene la cuchilla.

8 ALMACENANDO LA CORTADORA DE CÉSPED

Cuando su cortadora de césped no esté en uso, será necesario seguir los procedimientos de seguridad adecuados para el almacenamiento. Se deben seguir los siguientes pasos para preparar la cortadora para su almacenamiento:

1. Remueva el paquete de baterías de la cortadora de césped y almacénela a temperatura ambiente en una ubicación seca.
2. Limpie la cortadora de césped como se describió anteriormente en la sección de mantenimiento.
3. Inspeccione la cuchilla y reemplácela o afílela si es necesario.
4. Lubrique la cortadora de césped.
5. Guarde la cortadora de césped en un lugar limpio y seco. **No lo almacene cerca de materiales corrosivos, como fertilizantes o sal.**
6. Guarde la cortadora de césped en un espacio cerrado y cubierto, fresco y seco y fuera del alcance de los niños.
7. **No cubra la cortadora de césped con una hoja de plástico sólida.** Las cubiertas de plástico atrapan la humedad alrededor de la cortadora de césped, lo que provoca oxidación.

El ensamble de la manija puede doblarse por completo para su almacenamiento:

1. Retire el recogedor de césped.
2. Mueva la palanca de ajuste de la altura de corte hacia el frente y colóquela en la posición "1".
3. Presione y sostenga la palanca del mango de ajuste rápido con una mano para soltar el mango. Gire suavemente la manija de la posición de trabajo a la posición de plegado de la cortadora de césped. (Fig. 13A)
4. Suelte la palanca de la manija de ajuste rápido y continúe girando la manija hasta que vea que el pasador de bloqueo de ambos lados se engancha en la posición de almacenamiento bloqueada. Debería escuchar un clic cuando la manija esté en la posición correcta. (Fig. 13B)
5. En una posición bloqueada, la manija inferior activará el botón de bloqueo, lo que evitará el arranque.
6. Almacene la cortadora de césped en posición vertical o plana (Fig. 13C)

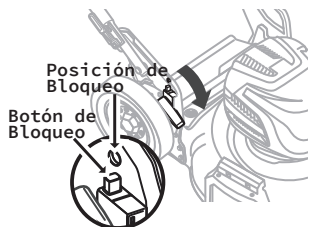


Fig. 13A

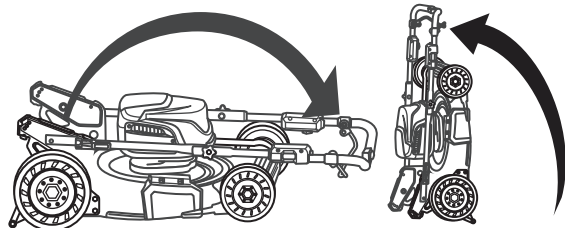


Fig. 13B

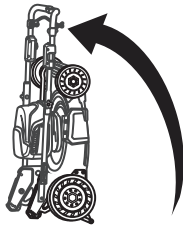


Fig. 13C

NOTA: Los faros LED pueden siempre encenderse en la posición de almacenamiento.

⚠ ADVERTENCIA: Si la cortadora de césped se vuelca desde la posición vertical, puede resultar en daños a la cortadora de césped o lesiones personales. Mantenga siempre la cortadora en forma estable y fuera del alcance de los niños. Si es posible, colóquela en posición plana para guardarla.

9 RESOLUCIÓN DE PROBLEMAS

⚠ ADVERTENCIA: Antes de realizar cualquier trabajo de mantenimiento o limpieza, primero retire la batería.

⚠ ADVERTENCIA: Protéjase siempre las manos usando guantes gruesos o envolviendo los bordes cortantes cuando realice cualquier mantenimiento en la cuchilla de la cortadora de césped.

⚠ Si USTED no puede arreglar su cortadora de césped usando la siguiente tabla, lleve su máquina a una empresa especializada o un centro de servicio al cliente.

Problema	Causa Posible	Solución Posible
La cortadora de césped falla en arrancar	La batería no tiene carga suficiente.	Cargue la batería.
	La batería no está completamente insertada.	Conecte el paquete de baterías a la cortadora de césped hasta que esté completamente asentado.
	La batería o la cortadora de césped están demasiado calientes	Deje que la batería o la cortadora de césped se enfríen.
	La plataforma de la cortadora de césped está obstruida con césped y / u otros desechos.	Limpie la plataforma de corte y asegúrese de que la cuchilla se pueda mover correctamente.
La cortadora de césped corta de forma dispareja.	La hoja está desafilada.	Afile o reemplace la cuchilla.
	La altura de corte de césped no está ajustada correctamente.	Mueva la palanca de ajuste de altura a un lugar adecuado.
	La cuchilla está ensamblada incorrectamente.	Vuelva a ensamblar la hoja, siguiendo la sección "MANTENIMIENTO DE LA HOJA" de este manual.

10 COBERTURA DE GARANTÍA LIMITADA

La cortadora de césped no cubre con mantillo de forma adecuada	Los recortes de césped húmedo se adhieren a la parte inferior de la plataforma.	Deje que el césped se seque antes de cortarlo.
	La altura de corte es demasiado baja.	Eleve la altura de corte.
El recogedor de césped no se está llenando con césped	La altura de corte es demasiado alta.	Bajar la altura de corte.
	La hierba está mojada.	Deje que el césped se seque antes de cortarlo.
	La hoja está desafilada o dañada.	Afile o reemplace la cuchilla.
	La parrilla está sucia.	Limpiar la parrilla del recogedor de césped.
La dirección de las llantas no funciona	La correa y / o los engranajes de la cortadora de césped están dañados.	Compruebe la correa y los engranajes, realizando el mantenimiento si es necesario.
	Ruedas dañadas o rotas.	Compruebe si las ruedas motrices están dañadas y realice el mantenimiento si es necesario.
La cortadora de césped vibra en exceso durante su uso	La cuchilla de corte está suelta.	Apriete la tuerca exterior.
	La cuchilla de corte está desequilibrada.	Equilibre el juego de cuchillas de acuerdo con la sección "MANTENIMIENTO DE LA CUCHILLA" de este manual.
	La cuchilla de corte está doblada.	Reemplace la cuchilla.
	El eje del motor está doblado.	Comuníquese con el centro de servicio. No intente realizar esta reparación por su cuenta.
	La altura de corte es demasiado baja.	Eleve la altura de corte.

El fabricante garantiza que reparará o reemplazará, sin cargo, cualquier falla debido a defectos en los materiales o mano de obra o ambos que ocurran durante el período de garantía aplicable, sujeto a las exclusiones y limitaciones establecidas en los siguientes párrafos. La cobertura de la garantía limitada solo se aplica a los productos Green Machine que se compran en un minorista autorizado de Green Machine ubicado en los Estados Unidos, los territorios de los EE. UU. o Canadá. Esta garantía estará vigente y sujeta a los períodos de tiempo y las condiciones que se indican a continuación. Para el servicio de garantía, el comprador debe poner el producto a disposición del distribuidor de servicio autorizado más cercano, que puede encontrar comunicándose con la línea de ayuda al 800-541-7027.

Personas cubiertas por esta garantía limitada

Esta garantía es válida para el comprador minorista original a partir de la fecha de compra minorista inicial y no es transferible.

“Uso del consumidor”

“Uso del consumidor” significa el uso doméstico residencial personal por parte de un consumidor minorista.

“Uso comercial”

“Uso comercial” significa usos con fines comerciales y de producción de ingresos. Esta garantía es nula si el producto se ha utilizado con fines de alquiler.

PERÍODO DE GARANTÍA

Producto	Uso del consumidor	Uso comercial
Herramienta de jardinería	5 años	1 año
Batería y cargador	3 años	45 días

¿Cuáles son los límites de la Responsabilidad del Fabricante?

A. EL FABRICANTE NO SERÁ RESPONSABLE DE NINGÚN DAÑO INCIDENTAL O CONSECUENTE DE NINGÚN TIPO QUE RESULTEN DE LA COMPRA, USO O MAL USO O INCAPACIDAD DE USAR EL PRODUCTO, INCLUYENDO DAÑOS INCIDENTALES, ESPECIALES, CONSECUENTES O SIMILARES, O PÉRDIDA DE BENEFICIOS CONTRA EL COMPRADOR POR CUALQUIER OTRA PARTE. NO HAY GARANTÍAS EXPRESAS DISTINTAS A LAS ESTABLECIDAS AQUÍ. CUALQUIER GARANTÍA IMPLÍCITA POR LA LEY ESTATAL (YA SEA DE COMERCIABILIDAD O APTITUD PARA UN USO PARTICULAR O DE OTRA MANERA) SERÁ EFECTIVA PARA CUALQUIER PRODUCTO SOLO DURANTE LA DURACIÓN DEL PERÍODO DE GARANTÍA LIMITADA APLICABLE QUE SE DESCRIBE ANTERIORMENTE. ALGUNOS ESTADOS O JURISDICCIONES NO PERMITEN LA EXCLUSIÓN O LIMITACIÓN DE DAÑOS INCIDENTALES O CONSECUENTES O LIMITACIONES SOBRE LA DURACIÓN DE UNA GARANTÍA IMPLÍCITA, POR LO QUE LAS LIMITACIONES O EXCLUSIONES ANTERIORES PUEDEN NO APLICARSE EN SU CASO. ESTA GARANTÍA LE OTORGA DERECHOS LEGALES ESPECÍFICOS Y TAMBIÉN PUEDE TENER OTROS DERECHOS QUE VARIAN DE ESTADO A ESTADO O DE JURISDICCIÓN A JURISDICCIÓN. NO DEVUELVA ESTE PRODUCTO AL LUGAR DE COMPRA.

B. Esta garantía se aplica solo a los productos que se han ensamblado, ajustado, operado y mantenido correctamente de acuerdo con las instrucciones proporcionadas.

C. Esta garantía no se aplica a ningún producto que haya sido sometido a alteraciones, mal uso, abuso, ensamblaje o instalación inadecuados, daños en la entrega o desgaste normal del producto.

D. Esta garantía no cubre el desgaste normal de piezas o daños resultantes de cualquiera de los siguientes: uso negligente o mal uso del producto, uso con voltaje o corriente inadecuados, uso contrario a las instrucciones de operación, desmontaje, reparación o alteración por cualquier persona que no sea un distribuidor de servicio autorizado. Además, la garantía no cubre: Actos de fuerza mayor, como incendios, inundaciones, huracanes y tornados.

Deberes del consumidor

A. Conservar el recibo de compra original durante el período de garantía limitada como prueba de compra. Se requiere el comprobante de compra para obtener garantía. El fabricante se reserva el derecho de solicitar una copia del recibo para verificar la cobertura de la garantía limitada en caso de que se realice una reparación en garantía del producto.

B. Tener un cuidado razonable en el mantenimiento, operación y almacenamiento del producto como se explica en el manual del operador.

C. Los gastos de transporte del producto o las piezas enviadas para reparación o reemplazo bajo esta garantía deben ser pagados por el comprador a menos que el fabricante solicite dicha reparación o reemplazo.

Deberes del fabricante

A. Cualquier producto o pieza defectuoso cubierto por esta garantía limitada será reparado o reemplazado a opción del fabricante.

B. Las fallas del producto cubiertas por esta garantía limitada se programarán y repararán de acuerdo con el flujo de trabajo normal del distribuidor de servicio autorizado a quien se le entrega el producto para su reparación, dependiendo de la disponibilidad de piezas de repuesto o productos.