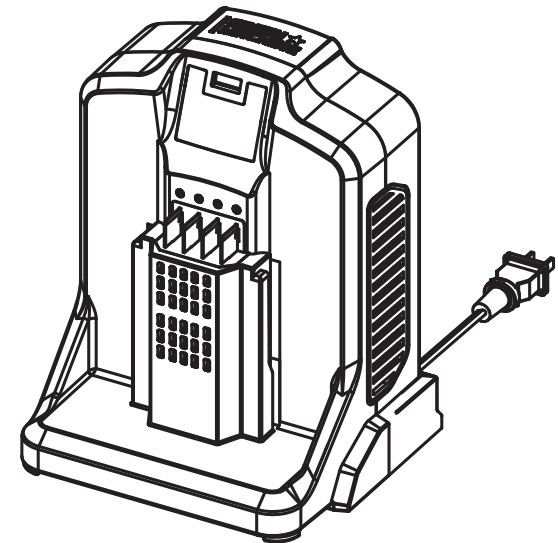


**GREEN ★
MACHINE[®]**



Operator's Manual

Operator's Manual 62V Battery Charger



Model: GMBC6200

⚠ WARNING: To reduce the risk of the injury, the user must read and understand the operator's manual before using this product. Save these instructions for future reference.

TOLL-FREE HELPLINE: (800)541-7027

1 GENERAL SAFETY RULES

CONTENTS

Section 1	General Safety Rules	3
Section 2	Parts Diagram	5
Section 3	Technical Details	6
Section 4	Operation	7
Section 5	Maintenance	10
Section 6	Troubleshooting	11
Section 7	Disposal and Recycling	12
Section 8	Limited Warranty Coverage	12

IMPORTANT SAFETY INSTRUCTIONS

PLEASE READ ALL INSTRUCTIONS before operating this product. The safety instructions in this manual are designed to protect your safety and guide your use of this Green Machine® battery charger GMBC6200. Failure to read and understand the following information may create an unsafe workspace which could constitute risk of electric shock, explosions, fire, or chemical reactions. **Save all warnings and instructions for future reference.**

CAUTION: Use this charger with Green Machine® rechargeable batteries only, models GMBA6200-25 and GMBA6200-40 or similar. Charging other types of batteries with this charger present a fire and general safety hazard.

CAUTION: Before using battery charger, read all instructions and cautionary markings on battery charger, battery, and product using battery

1.1 Work Area Safety

- **Prepare your workspace.** Ensuring a clean and well-lit workspace should be the first step in using your Green Machine® tools. Use dust extraction and collection devices if available.

- **Never operate your power tools in the presence of flammable liquids, gases, or dust.**

- **Keep children and bystanders away while operating your power tools.** By operating away from bystanders, you are reducing the risk of injury by minimizing potential harm to people other than yourself. Additionally, you can avoid unwanted distractions which may lead to unsafe operation.

- **Do not modify your plug in any way.** Do not use adapter plugs or use the charger with any outlet that does not match the plug.

- **Do not expose power tools to rain or wet conditions.**

- **Do not abuse your power cord.** Never use the cord for carrying, pulling, or unplugging your power tool.

- **Keep the cord away from heat, oil, sharp edges, and moving parts.**

1.2 Charger Safety

- **Do not modify your charger.** Use of an attachment not recommended by the manufacturer may result in a risk of fire, electric shock, or injury.

- **When unplugging the charger, pull directly by the plug.** Avoid pulling by the power cord.
- **The information on current and voltage on the battery pack must comply with those of the charger.**
- **Do not handle the charger with wet hands.**
- **Avoid accidental stepping on power cord by always being aware of its location.**
- **Recharge your battery only with the charger specified by the manufacturer.**
- **Place the charger far from any heat source.**
- **Keep charger away from rain and/or moisture.** Water increases the risk of electric shock.
- **Do not leave the equipment unattended while it is operating to avoid the risk of fire, burns and electric shocks.**
- **To reduce risk of electric shock, unplug charger before attempting any maintenance or cleaning.** Turning off controls will not reduce this risk.
- **Do not operate the charger if it has been damaged.**
- **Do not disassemble the charger.**
- **Do not use if the power cord has been damaged.**
- **Only have your charger serviced by a Green Machine® service dealer using identical replacement parts.** Please contact customer service at (800) 541-7027 to locate a certified dealer.
- **Keep your product out of reach of children at all times.**

SAVE THESE INSTRUCTIONS

2 PARTS DIAGRAM

The safe use of this product requires an understanding of the information on the tool and in this instruction manual, as well as knowledge of the project you are attempting. Before use of this product, familiarize yourself with all operating features and safety rules.

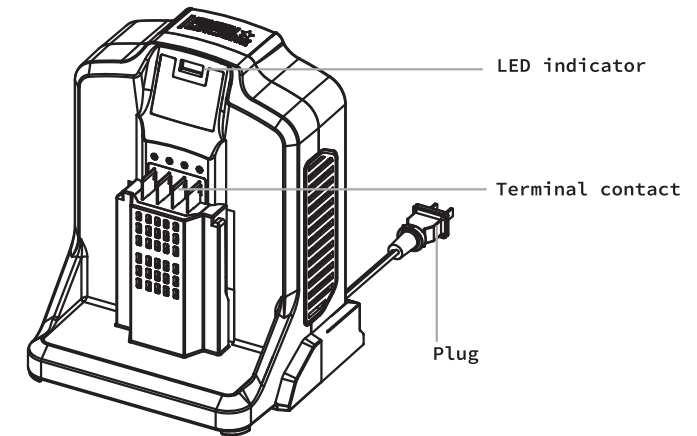


Fig. 1

3 TECHNICAL DETAILS

Battery Charger Model Number	GMBC6200	
Input	100-120Va.c.,60Hz,6.5A	
Output	62Vd.c,4A	
Charging Temperature Range	32 - 104° F (0-40 C)	
Net weight	3.5lbs (1.6KG)	
Compatible Battery	Lithium-ion	Lithium-ion
Model Number	GMA6200-25	GMA6200-40
Voltage	62 Vd.c.	62 Vd.c.
Capacity	2.5Ah/135Wh	4Ah/216Wh
Number of Battery cell	15pcs	15pcs
Net weight	2.98 lbs (1.35kg)	3.75lbs (1.7kg)

4 OPERATION

CHARGING OF LI-BATTERY-PACK

⚠ WARNING: Never charge your battery pack outside, especially in wet or damp conditions.

NOTICE: Battery packs are shipped with a partial charge and need to be fully charged before first use. Follow steps below to ensure a safe and effective charge using your Green Machine® Battery Charger:

1. Make sure that the battery you are charging matches the voltage range on your charger.
2. Connect the charger plug to the power supply. If the power is successfully connected, the red LED light should turn on.
3. Align the raised ribs of the battery pack with the mounting slots on the charger. Connect the two and click the battery into place (Fig. 2).
4. Once your battery is fully charged, wait until the cooling fan stops, remove the battery pack from the charger, and disconnect the charger from the power supply.

Note:

- When the battery pack is charging, the green LED on the charger will flash.
- When the battery pack is fully charged, the green LED will stop flashing and stay on.

NOTICE: The charger may heat up while charging. This is a normal part of operation. Charge in a well-ventilated area to ensure the charger does not overheat.

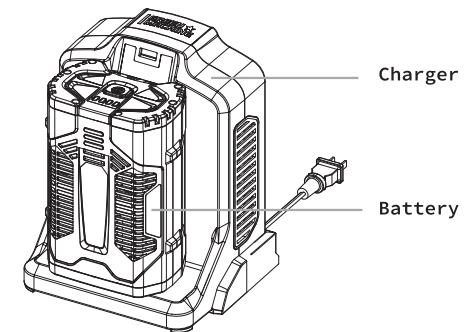


Fig. 2

LED INDICATOR STATUS

Please refer to the following table for the meaning of LED display.

Charger LED indicator status	Charger status
Indicator is constant red	Empty or no battery
Indicator flashes green	Normal charging
Indicator is constant green	Full charge
Indicator flashes red	Abnormal temperature (<37°F or >116 °F.)
Indicator flashes red and green alternately	Abnormal Status

NOTE: If the battery pack is out of the normal temperature range. If this happens, the battery pack will stop charging. It is best to allow your battery pack to return to normal temperature, either by letting it cool itself, or by moving it to a suitable environment. When the battery pack cools down to approximately 110 °F or warms to more than 40°F, the charger will automatically begin charging if it is still plugged in.

If the charger still doesn't work, please check:

- Whether the supply voltage is available at the socket.
- Whether there is proper contact between the charger and battery.

NOTE: If the battery does not get properly charged following steps above, please contact our helpline at (800) 541-7027 to locate a certified dealer.

WALL-MOUNT HOLES

The Green Machine® charger has hanging holes built in for convenient storage (Fig.3). To hang your charger, install screws in the wall 3 inches (76mm) apart. Use screws sufficiently strong to hold the combined weight of the charger and battery pack, which is approximately 3.5lbs (1.6kg).

⚠ WARNING! Put the charger on the floor or another flat surface during use.

⚠ WARNING! WARNING! Never use the charger while it is hanging.

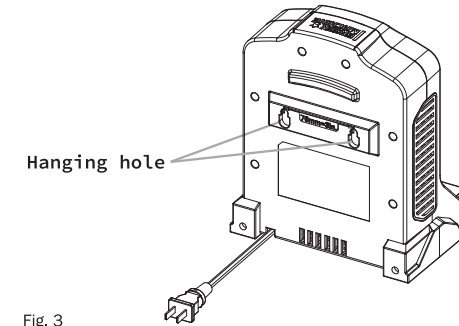


Fig. 3

5 MAINTENANCE

GENERAL MAINTENANCE

⚠ WARNING! Never clean your tool or perform any maintenance while your battery charger is plugged in.

- Do not use solvents when cleaning the plastic parts of your charger. Most plastics are susceptible to damage from various types of commercial solvents and may be damaged by their use.
- Wipe your charger down with a clean, dry cloth after cleaning. This will avoid unwanted moisture on the surface.
- It is not necessary to disassemble your charger when clearing. If the machine is broken in any way, take it to a qualified technician and do not plug it in.

⚠ WARNING! Do not allow brake fluids, gasoline, petroleum-based products, penetrating oils, etc. to come into contact with the plastic on your charger. Chemicals can damage, weaken, or destroy plastic which may result in serious personal injury.

STORAGE

Always store your charger in a dry, secure location outside of the reach of children. If you choose to hang your charger on the wall, ensure that it is either too high for children to reach, or that it is in a place which cannot be accessed by children.

6 TROUBLESHOOTING

The following chart lists problem symptoms, possible causes and corrective action, if your product does not operate properly. If these do not identify and correct the problem, contact our helpline at 800-541-7027.

PROBLEM	PROBABLE CAUSE	CORRECTIVE ACTION
Flashing red LED light and no charge	The battery pack is at an unsuitable temperature for operation	Allow the battery pack to reach normal temperature. Charging will begin when the battery pack cools down to approximately 110°F or warms to more than 40°F
Flashing alternating green and red lights without charge	Either the battery pack or the charger is defective.	Remove the battery from the charger, and reinstall it. If the charger still doesn't work, contact customer service.

7 DISPOSAL AND RECYCLING

The product, accessories and packaging should be sorted for environmental-friendly recycling. Consult with your local government waste management to determine the best method of disposal for any defective parts.

Do not throw your charger into the household waste!

8 LIMITED WARRANTY COVERAGE

The manufacturer warrants that it will repair or replace, free of charge, any failure due to defects in materials or workmanship or both occurring during the applicable warranty period, subject to the exclusions and limitations set forth in the following paragraphs. Limited warranty coverage only applies to Green Machine products that are purchased from an authorized Green Machine® retailer located in the United States, U.S. territories or Canada. This warranty is effective for and is subject to the time periods and conditions stated below. For warranty service, purchaser must make the product available to the nearest Authorized Service Dealer, which can be found by contacting the help line at 800-541-7027.

Persons Covered This Limited Warranty

This warranty is valid for the original retail purchaser from the date of initial retail purchase and is not transferable.

"Consumer Use"

"Consumer Use" means personal residential household use by a retail consumer.

"Commercial Use"

"Commercial Use" means uses for commercial, income producing purposes. This warranty is void if the product has been used for rental purposes.

WARRANTY PERIOD

Item	Consumer Use	Commercial Use
Garden Tool	5 years	1 year
Battery and Charger	3 years	45 days

What are the limits on Manufacturer's Liability?

A. THE MANUFACTURER SHALL NOT BE LIABLE FOR ANY INCIDENTAL OR CONSEQUENTIAL DAMAGES OF ANY KIND RESULTING FROM THE PURCHASE, USE OR MISUSE OF, OR INABILITY TO USE THE PRODUCT INCLUDING INCIDENTAL, SPECIAL, CONSEQUENTIAL OR SIMILAR DAMAGES OR LOSS OF PROFITS, OR FOR ANY CLAIM BROUGHT AGAINST PURCHASER BY ANY OTHER PARTY. THERE ARE NO EXPRESS WARRANTIES OTHER THAN THOSE SET FORTH HEREIN. ANY WARRANTY IMPLIED BY STATE LAW (WHETHER OF MERCHANTABILITY OR FITNESS FOR A PARTICULAR USE OR OTHERWISE) SHALL BE EFFECTIVE FOR ANY PRODUCT ONLY FOR THE DURATION OF THE APPLICABLE LIMITED WARRANTY PERIOD LISTED ABOVE. SOME STATES OR JURISDICTIONS DO NOT ALLOW THE EXCLUSION OR LIMITATION OF INCIDENTAL OR CONSEQUENTIAL DAMAGES OR LIMITATIONS ON HOW LONG AN IMPLIED WARRANTY LASTS, SO THE ABOVE LIMITATIONS OR EXCLUSION MAY NOT APPLY TO YOU. THIS WARRANTY GIVES YOU SPECIFIC LEGAL RIGHTS, AND YOU MAY ALSO HAVE OTHER RIGHTS THAT VARY FROM STATE TO STATE OR JURISDICTION TO JURISDICTION. PLEASE DO NOT RETURN THIS PRODUCT TO THE PLACE OF PURCHASE.

B. This warranty applies only to products which have been properly assembled, adjusted, operated, and maintained in accordance with the instructions furnished.

C. This warranty does not apply to any product which has been subjected to alteration, misuse, abuse, improper assembly or installation, delivery damage, or to normal wear of the product.

D. This warranty does not cover normal wear of parts or damage resulting from any of the following: negligent use or misuse of the product, use on improper voltage or current, use contrary to the operating instructions, disassembly, repair or alteration by anyone other than an authorized service dealer. Further, the warranty does not cover: Acts of God, such as fire, flood, hurricanes and tornadoes.

Duties of the Consumer

A. Keep the original sales receipt for the length of the limited warranty time period as proof of purchase. Proof of purchase is required to obtain warranty. Manufacturer reserves the right to request a copy of the receipt to verify limited warranty coverage in the event a warranty repair is made to the product.

B. Use reasonable care in the maintenance, operation, and storage of the product as explained in the operators manual.

C. Transportation charges on product or parts submitted for repair or replacement under this warranty must be paid by the purchaser unless such repair or replacement is requested by the manufacturer.

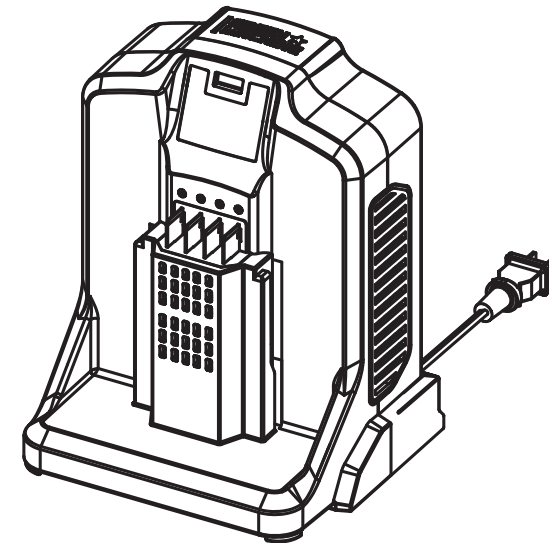
Duties of the Manufacturer

A. Any defective product or part covered by this limited warranty will be repaired or replaced at the option of the Manufacturer.


B. Product failures covered by this limited warranty will be scheduled and repaired according to the normal workflow of the Authorized Service Dealer to whom the product is delivered for service depending upon the availability of replacement parts or products.

Manual del Operador

Cargador de Baterías 62V



Modelo: GMBC6200

 **ADVERTENCIA:** Para reducir el riesgo de lesiones, el usuario debe leer y comprender el manual del operador antes de usar este producto. Guarde estas instrucciones para referencia en el futuro.

LÍNEA DE AYUDA GRATUITA: (800) 541 - 7027

CONTENIDOS

Sección 1	Reglas Generales de Seguridad	3
Section 2	Diagrama de Partes	7
Section 3	Detalles Técnicos	7
Section 4	Operación	9
Section 5	Mantenimiento	12
Section 6	Resolución de Problemas	12
Section 7	Eliminación y Reciclaje	12
Section 8	Garantía Limitada	13

1 REGLAS GENERALES DE SEGURIDAD

INSTRUCCIONES IMPORTANTES DE SEGURIDAD

POR FAVOR LEA TODAS LAS INSTRUCCIONES antes de operar este producto. Las instrucciones de seguridad de este manual están diseñadas para proteger su seguridad y guiar el uso de este cargador de batería Green Machine® GMBC6200. No leer y comprender la siguiente información puede crear un espacio de trabajo inseguro que podría constituir un riesgo de descarga eléctrica, explosiones, incendios o reacciones químicas. **Guarde todas las advertencias e instrucciones para futuras referencias.**

PRECAUCIÓN: Utilice este cargador únicamente con baterías recargables Green Machine®, modelos GMBA6200-25 y GMBA6200-40 o similares. El cargar otros tipos de baterías con este cargador presenta un riesgo de incendio y de seguridad en general.

PRECAUCIÓN: Antes de usar el cargador de batería, lea todas las instrucciones y marcas de precaución en el cargador de batería, la batería y el producto que usa la batería.

1.1 Seguridad en el Espacio de Trabajo

- **Prepare su espacio de trabajo.** Asegurar un espacio de trabajo limpio y bien iluminado debe ser el primer paso para usar sus herramientas de Green Machine®. Utilice dispositivos de extracción y recolección de polvo si están disponibles.

- **Nunca opere sus herramientas eléctricas en presencia de líquidos, gases o polvos inflamables.**

- **Mantenga alejados a los niños y transeúntes mientras utiliza sus herramientas eléctricas.** Al operar lejos de los transeúntes, está reduciendo el riesgo de lesiones al minimizar el daño potencial a otras personas además de usted. Además, puede evitar distracciones no deseadas que pueden provocar un funcionamiento inseguro.

- **No modifique su enchufe de ninguna manera.** No utilice adaptadores de enchufes ni utilice el cargador con ningún tomacorriente que no coincida con el enchufe.

- **No exponga las herramientas eléctricas a la lluvia ni a condiciones de humedad.**

- **No abuse de su cable de alimentación.** Nunca use el cable para transportar, tirar o desenchufar su herramienta eléctrica.

- **Mantenga el cable alejado del calor, aceite, bordes afilados y piezas móviles.**

1.2 Seguridad del Cargador

- **No modifique su cargador.** El uso de un accesorio no recomendado por el fabricante puede resultar en un riesgo de incendio, descarga eléctrica o en lesiones.

- **Al desenchufar el cargador, tire directamente del enchufe.** Evite halar el cable de alimentación.
- **La información sobre la corriente y el voltaje del paquete de baterías debe coincidir con las del cargador.**
- **No manipule el cargador con las manos mojadas.**
- **Evite pararse accidentalmente en el cable de alimentación siendo siempre consciente de su ubicación.**
- **Recargue su batería solo con el cargador especificado por el fabricante.**
- **Coloque el cargador lejos de cualquier fuente de calor.**
- **Mantenga el cargador alejado de la lluvia y/o la humedad.** El agua aumenta el riesgo de descarga eléctrica.
- **No deje el equipo desatendido mientras esté en funcionamiento** para evitar el riesgo de incendio, quemaduras y descargas eléctricas.
- **Para reducir el riesgo de descarga eléctrica, desenchufe el cargador antes de intentar cualquier mantenimiento o limpieza.** Apagar los controles no reducirá este riesgo.
- **No utilice el cargador si está dañado.**
- **No desarme el cargador.**
- **No lo utilice si el cable de alimentación está dañado.**
- **Solo haga que su cargador sea reparado por un distribuidor de servicio de Green Machine® usando repuestos idénticos.** Comuníquese con el servicio al cliente al (800) 541-7027 para ubicar un distribuidor certificado.
- **Mantenga su producto fuera del alcance de los niños en todo momento.**

GUARDE ESTAS INSTRUCCIONES

2

DIAGRAMA DE PARTES

El uso seguro de este producto requiere la comprensión de la información de la herramienta y de este manual de instrucciones, así como el conocimiento del proyecto que está intentando realizar. Antes de usar este producto, familiarícese con todas las características operativas y las reglas de seguridad.

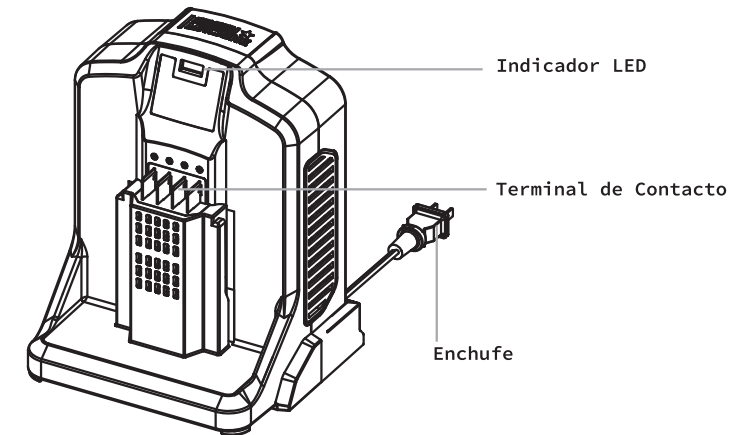


Fig. 1

3 DETALLES TÉCNICOS

Número de Modelo del Cargador de Baterías	GMBC6200	
Voltaje de Entrada	100-120Va.c., 60Hz, 6.5A	
Voltaje de Salida	62V d.c., 4A	
Rango de Temperatura de Carga	32 - 104°F (0-40 C)	
Peso neto	3.5lbs (1.6KG)	
Batería Compatible	Iones de Litio	
Número de Modelo de Batería	GMA6200-25	GMA6200-40
Voltaje	62Vd.c.	62Vd.c.
Capacidad de Batería	2.5Ah/135Wh	4Ah/216Wh
Número de Células de Batería	15 piezas	15 piezas
Peso neto	2.98 lb (1.35kg)	3.75lbs (1.7kg)

4 OPERACIÓN

CARGANDO EL PAQUETE DE BATERÍAS DE LITIO

⚠ ADVERTENCIA: Nunca cambie su paquete de baterías afuera, sobre todo en condiciones mojadas y húmedas.

AVISO: Los paquetes de baterías se envían con carga parcial y necesitan cargarse por completo antes de su primer uso.

Siga los siguientes pasos para asegurar una carga segura y efectiva usando su Cargador de Batería Green Machine®.

1. Asegúrese de que la batería que está cargando coincida con el rango de voltaje de su cargador.
2. Conecte el enchufe del cargador a la fuente de alimentación. Si la alimentación se conecta correctamente, la luz LED roja debería encenderse.
3. Alinee las ranuras elevadas del paquete de baterías con las ranuras de montaje del cargador. Conecte los dos y coloque la batería en su lugar (Fig. 2).
4. Una vez que la batería esté completamente cargada, espere hasta que el ventilador de enfriamiento se detenga, retire el paquete de baterías del cargador y desconecte el cargador de la fuente de alimentación.

Nota:

- Cuando el paquete de baterías está cargando, el LED verde en el cargador estará parpadeando.
- Cuando el paquete de baterías este completamente cargado, el LED verde dejará de parpadear y permanecerá encendido.

AVISO: El cargador puede calentarse cuando esté cargando. Esta es una parte normal de la operación. Cargue en un área muy bien ventilada para asegurar que el cargador no se sobrecaliente.

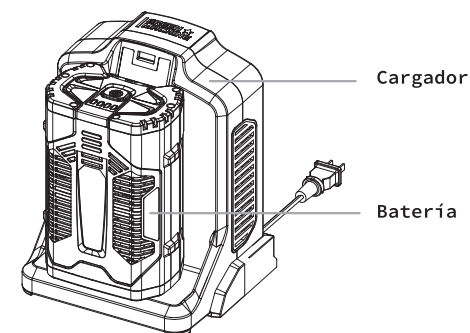


Fig. 2

INDICADOR LED DE ESTATUS

Por favor refiérase a la siguiente tabla para el significado de la pantalla LED.

Indicador LED de estatus	Estatus del cargador
El indicador es un rojo constante	Vacío o no hay batería
Indicador parpadea en verde	Carga normal
Indicador está constantemente en verde	Carga complete
Indicador parpadea en rojo	Temperatura anormal (<37°F o >116 °F.)
El indicador parpadea en rojo y verde alternativamente	Status Anormal

NOTA: Si la batería está fuera del rango de temperatura normal. Si esto sucede, la batería dejará de cargarse. Es mejor permitir que el batería vuelva a la temperatura normal, ya sea dejándolo enfriar solo o moviéndolo a un ambiente adecuado. Cuando la batería se enfría a aproximadamente a 110°F o se calienta a más de 40°F, el cargador comenzará a cargarse automáticamente si aún está enchufado.

Si el cargador aún no funciona, por favor revise:

- Si el voltaje de alimentación está disponible en el tomacorriente.
- Si hay un contacto apropiado entre el cargador y la batería.

NOTA: Si la batería no se carga correctamente siguiendo los pasos anteriores, comuníquese con nuestra línea de ayuda al (800) 541-7027 para localizar un distribuidor certificado.

ORIFICIOS PARA MONTAJE EN PARED

El cargador Green Machine® tiene orificios para colgar integrados para un almacenamiento conveniente (Fig. 3). Para colgar el cargador, instale tornillos en la pared con una separación de 76 mm (3 pulgadas). Utilice tornillos lo suficientemente fuertes para sostener el peso combinado del cargador y el paquete de batería, que es de aproximadamente 3.5 libras (1.6 kg).

! ¡ADVERTENCIA! Coloque el cargador en el piso o en otra superficie plana durante su uso.

! ¡ADVERTENCIA! Nunca use el cargador mientras está colgando.

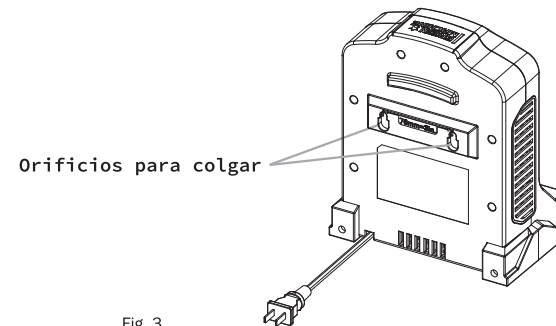


Fig. 3

5 MANTENIMIENTO

MANTENIMIENTO GENERAL

⚠ ¡ADVERTENCIA! Nunca limpie su herramienta ni realice ningún mantenimiento mientras el cargador de baterías está conectado.

- No utilice solventes al limpiar las piezas de plástico de su cargador. La mayoría de los plásticos son susceptibles de dañarse con varios tipos de solventes comerciales y pueden dañarse con su uso.
- Limpie su cargador con un paño limpio y seco después de limpiarlo. Esto evitará la humedad no deseada en la superficie.
- No es necesario desarmar su cargador al limpiar. Si la máquina está averiada de alguna manera, llévela a un técnico calificado y no la conecte.

⚠ ¡ADVERTENCIA! No permita que los líquidos de frenos, gasolina, productos a base de petróleo, aceites penetrantes, etc. entren en contacto con el plástico de su cargador. Los productos químicos pueden dañar, debilitar o destruir el plástico, lo que puede provocar lesiones personales graves.

ALMACENAMIENTO

Siempre guarde su cargador en un lugar seco y seguro fuera del alcance de los niños. Si opta por colgar el cargador en la pared, asegúrese de que sea lo suficientemente alto para que no lo alcancen los niños o de que esté en un lugar al que no puedan acceder los niños.

6 RESOLUCIÓN DE PROBLEMAS

El siguiente cuadro enumera los síntomas del problema, las posibles causas y las acciones correctivas, si su producto no funciona correctamente. Si estos no identifican ni corrigen el problema, comuníquese con nuestra línea de ayuda al 800-541-7027.

PROBLEMA	CAUSA PROBABLE	ACCIÓN CORRECTIVA
Luz LED parpadeando en rojo y no hay carga	El batería está a una temperatura inadecuada para su operación.	Deje que la batería alcance la temperatura normal. La carga comenzará cuando la batería se enfríe a aproximadamente 110 °F o se caliente a más de 40 °F.
Luces parpadeando alternativamente entre rojo y verde sin carga	Ya sea el paquete de baterías o el cargador están defectuosos.	Remueva la batería del cargador y vuelva a instalarla. Si el cargador aún no funciona, comuníquese con el servicio al cliente.

7 ELIMINACIÓN Y RECICLAJE

El producto, los accesorios y el embalaje deben clasificarse para un reciclaje ecológico. Consulte con la administración de residuos de su gobierno local para determinar el mejor método de eliminación de las piezas defectuosas.

¡No tire el cargador en la basura del hogar!

8 COBERTURA DE GARANTÍA LIMITADA

El fabricante garantiza que reparará o reemplazará, sin cargo, cualquier falla debido a defectos en los materiales o mano de obra o ambos que ocurran durante el período de garantía aplicable, sujeto a las exclusiones y limitaciones establecidas en los siguientes párrafos. La cobertura de la garantía limitada solo se aplica a los productos Green Machine que se compran en un minorista autorizado de Green Machine ubicado en los Estados Unidos, los territorios de los Estados Unidos o Canadá. Esta garantía es efectiva y está sujeta a los períodos de tiempo y las condiciones que se indican a continuación. Para el servicio de garantía, el comprador debe poner el producto a disposición del distribuidor de servicio autorizado más cercano, que se puede encontrar comunicándose con la línea de ayuda al número 800-541-7027.

Personas Cubiertas por Esta Garantía Limitada

Esta garantía es válida para el comprador minorista original desde la fecha de la compra minorista inicial y no es transferible.

"Uso para el Consumidor"

"Uso para el Consumidor" significa una vivienda residencial personal usada por el cliente minorista

"Uso Comercial"

"Uso Comercial" significa usos para propósitos comerciales y que producen ingresos. Esta garantía es nula si el producto se ha usado para propósitos de renta.

PERIODO DE GARANTÍA

Artículo	Uso del Consumidor	Uso Comercial
Herramienta de Jardín	5 años	1 año
Batería y Cargador	3 años	45 días

¿Cuáles son los límites en cuanto a la Responsabilidad del Fabricante?

A. EL FABRICANTE NO SERÁ RESPONSABLE DE NINGÚN DAÑO INCIDENTAL O CONSECUENTE DE NINGÚN TIPO QUE RESULTEN DE LA COMPRA, USO O MAL USO O INCAPACIDAD DE USAR EL PRODUCTO, INCLUYENDO DAÑOS INCIDENTALES, ESPECIALES, CONSECUENTES O SIMILARES, O PÉRDIDA DE BENEFICIOS CONTRA EL COMPRADOR POR CUALQUIER OTRA PARTE. NO HAY GARANTÍAS EXPRESAS DISTINTAS A LAS ESTABLECIDAS AQUÍ CUALQUIER GARANTÍA IMPLÍCITA POR LA LEY ESTATAL (YA SEA DE COMERCIABILIDAD O APTITUD PARA UN USO EN PARTICULAR O DE OTRA MANERA) SERÁ EFECTIVA PARA CUALQUIER PRODUCTO SOLAMENTE DURANTE LA DURACIÓN DEL PERÍODO DE GARANTÍA LIMITADA APLICABLE ANTERIORMENTE. ALGUNOS ESTADOS O JURISDICCIONES NO PERMITEN LA EXCLUSIÓN O LIMITACIÓN DE DAÑOS INCIDENTALES O CONSECUENTES O LIMITACIONES SOBRE LA DURACIÓN DE UNA GARANTÍA IMPLÍCITA, POR LO QUE LAS LIMITACIONES O EXCLUSIONES ANTERIORES PUEDEN NO APLICARSE EN SU CASO. ESTA GARANTÍA LE OTORGA DERECHOS LEGALES ESPECÍFICOS Y TAMBIÉN PUEDE TENER OTROS DERECHOS QUE VARÍAN DE ESTADO A ESTADO O DE JURISDICCIÓN A JURISDICCIÓN. POR FAVOR, NO DEVUELVA ESTE PRODUCTO AL LUGAR DE COMPRA.

B. Esta garantía se aplica únicamente a los productos que se han ensamblado, ajustado, operado y mantenido correctamente de acuerdo con las instrucciones proporcionadas.

C. Esta garantía no se aplica a ningún producto que haya sido sometido a alteración, mal uso, abuso, montaje o instalación inadecuados, daños en la entrega o desgaste normal del producto.

D. Esta garantía no cubre el desgaste normal de piezas o daños resultantes de cualquiera de los siguientes: uso negligente o mal uso del producto, uso con voltaje o corriente inadecuados, uso contrario a las instrucciones de operación, desmontaje, reparación o alteración por cualquier otra persona. que un distribuidor de servicio autorizado. Además, la garantía no cubre: Actos de fuerza mayor, como incendios, inundaciones, huracanes y tornados.

Deberes del Consumidor

A. Conservar el recibo de compra original durante el período de garantía limitada como prueba de compra. Se requiere comprobante de compra para obtener la garantía. El fabricante se reserva el derecho de solicitar una copia del recibo para verificar la cobertura de la garantía limitada en caso de que se realice una reparación en garantía del producto.

B. Tenga un cuidado razonable en el mantenimiento, operación y almacenamiento del producto como se explica en el manual del operador.

C. Los gastos de transporte del producto o las piezas enviadas para reparación o reemplazo bajo esta garantía deben ser pagados por el comprador, a menos que el fabricante solicite dicha reparación o reemplazo.

Deberes del Fabricante

A. Cualquier producto o pieza defectuosa cubierta por esta garantía limitada será reparada o reemplazada a opción del Fabricante.

B. Las fallas del producto cubiertas por esta garantía limitada se programarán y repararán de acuerdo con el flujo de trabajo normal del Distribuidor de Servicio Autorizado al que se entrega el producto para su reparación, según la disponibilidad de piezas o productos de reemplazo.