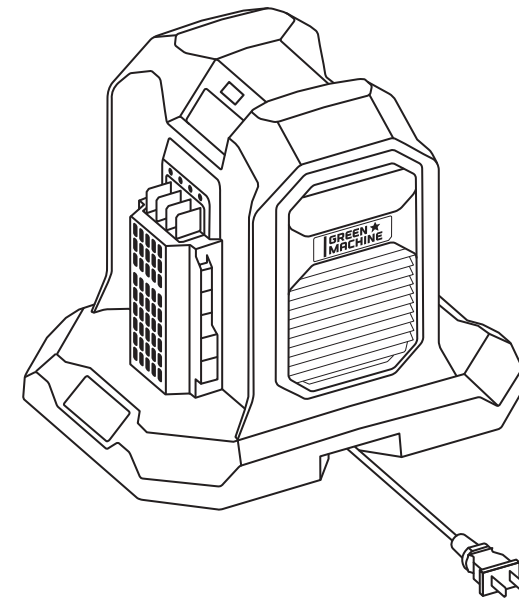




Operator's Manual

62V DUAL BATTERY CHARGER



Model: GMBC6200-D

⚠ WARNING: To reduce the risk of injury, the user must read and understand the operator's manual before using this product. Save these instructions for future reference.

TOLL-FREE HELPLINE: (800) 541-7027





CONTENTS

Section 1	General Safety Rules	3
Section 2	Parts Diagram	5
Section 3	Technical Details	6
Section 4	Operation	7
Section 5	Maintenance	8
Section 6	Troubleshooting	9
Section 7	Limited Warranty Coverage	10

1 GENERAL SAFETY RULES

SYMBOLS MARKED ON THE PRODUCT

The following symbols may appear on your device before, during, or after use. Take the time to read over and understand the meaning of each symbol before using your device.

	Safety Alert	Precautions that involve your safety.
	Read the Operator's Manual	To reduce the risk of injury, users must read and understand the operator's manual before using this product.
	Do Not Expose to Rain or Damp Conditions	This symbol indicates that your tool should not be exposed to water in any form. Exposing your device to water can create dangerous conditions and lead to electrocution.
	Recycle symbols	The battery contains toxic substances. Local, state, or federal laws may prohibit the disposal of batteries in ordinary household trash. Consult your local waste authority for information regarding available disposal options.

IMPORTANT SAFETY INSTRUCTIONS

PLEASE READ ALL INSTRUCTIONS BEFORE OPERATING THIS PRODUCT. The safety instructions in this manual are designed to protect your safety and guide your use of this Green Machine[®] battery charger GMBC6200-D. Failure to read and understand the following information may create an unsafe workspace which could constitute a risk of electric shock, explosions, fire, or chemical reactions. Save all warnings and instructions for future reference.

- ⚠ **Use this charger with Green Machine® rechargeable batteries only;** models GMBA6200-25, GMBA6200-40, GMBA6200-80, or GMBA6200-120. Charging other types of batteries with this charger can cause fire and general safety hazards.

1.1 WORK AREA SAFETY

- **Prepare your workspace.** Ensuring a clean and well-lit workspace should be the first step in using your Green Machine® tools. Use dust extraction and collection devices if available.
- **Never operate your power tools in the presence of flammable liquids, gases, or dust.**
- **Keep children and bystanders away while operating your power tools.** By operating away from bystanders, you are reducing the risk of injury by minimizing potential harm to people other than yourself. Additionally, you can avoid unwanted distractions which may lead to unsafe operations.

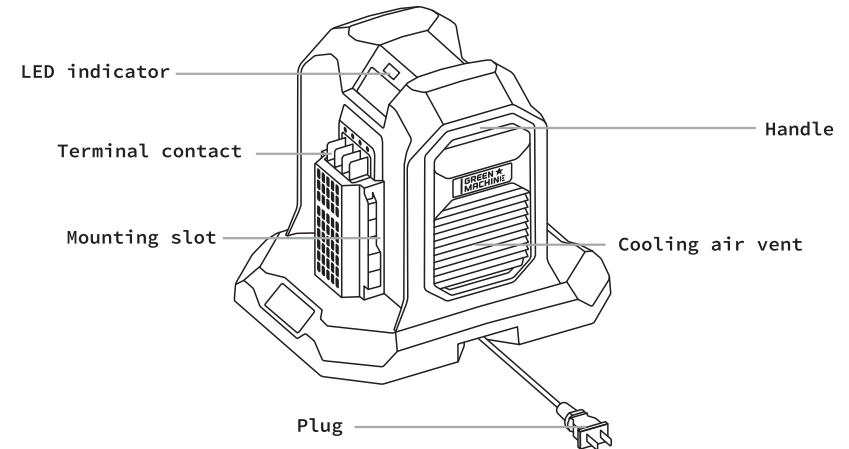
1.2 CHARGER SAFETY

- **Do not modify your charger.** The use of an attachment not recommended by the manufacturer may result in a risk of fire, electric shock, or injury.
- **When unplugging the charger, pull directly by the plug.** Avoid pulling the power cord.
- **The information on current and voltage on the battery pack must comply with those of the charger.**
- **Do not handle the charger with wet hands.**
- **Avoid accidentally stepping on the power cord by always being aware of its location.**
- **Place the charger away from any heat source.**
- **Keep the charger away from rain and/or moisture.** Water increases the risk of electric shock.
- **Always store your charger out of the reach of children.**
- **Do not leave the charger unattended while it is on in order to avoid the risk of fire, burns, and electric shocks.**
- **Always unplug the charger before attempting any maintenance or cleaning.**
- **Do not operate the charger if it has been damaged.**

- **Do not disassemble the charger.**
- **Do not use the charger if the power cord has been damaged.**
- **Only have your charger serviced by a Green Machine® service dealer using identical replacement parts.** Please contact customer service at (800) 541-7027 to locate a certified dealer.

SAVE THESE INSTRUCTIONS




2 PARTS DIAGRAM



3 TECHNICAL DETAILS

Battery Charger Model Number	GMBC6200-D			
Input	100-120Va.c.,60Hz,10A			
Output	62V d.c., 4+4A			
Charging temperature range	32 - 104° F (0-40 °C)			
Weight	5.29lbs (2.4kg)			
Compatible Battery	GMBA6200-25	GMBA6200-40	GMBA6200-80	GMBA6200-120
Voltage	62Vd.c.	62Vd.c.	62Vd.c.	62Vd.c.
Battery capacity	2.5Ah/135Wh	4Ah/216Wh	8Ah/432Wh	12Ah/648Wh
The number of Battery cells	15pcs	15pcs	30pcs	45pcs
Weight	2.98 lbs. (1.35kg)	3.75lbs (1.7kg)	6.66lbs (3.02kg)	9.37lbs (4.25kg)

4 OPERATION


-  Do not operate the charger if it has been damaged.
-  Never charge your battery pack outside, especially in wet conditions.
-  Do not leave the charger unattended while it is on to avoid the risk of fire, burns, and electric shocks.

4.1 LED INDICATOR STATUS

Please refer to the following table for the status of the LED display.

Charger LED indicator status	Charger status
The indicator is a constant red	Empty or no battery
The indicator flashes green	Normal charging
The indicator is a constant green	Full charge
The indicator flashes red	Abnormal temperature – see 6. TROUBLESHOOTING
The indicator flashes red and green alternately	Abnormal status – see 6. TROUBLESHOOTING

4.2 CHARGING A BATTERY

-  The charger may heat up while charging, this is normal. Charge in a well-ventilated area to ensure the charger does not overheat.

NOTE: Battery packs are shipped with a partial charge and need to be fully charged before first use.

Follow the steps below to ensure a safe and effective charge using your Green Machine[®] Battery Charger:

1. Make sure that the battery you are charging matches the voltage range on your charger.
2. Connect the charger plug to the power supply. If the power is successfully connected, the solid red LED light should turn on.

3. Align the raised ribs of the battery pack with the mounting slots on the charger. Align the two and slide the battery down until it clicks into place.
4. The charger LED will begin flashing green once the battery is seated correctly and charging has begun.
5. When the charger LED shows solid green, your battery is fully charged. Wait until the cooling fan stops, then remove the battery pack from the charger, and disconnect the charger from the power supply.

5 MAINTENANCE

- ⚠** Never clean or perform any maintenance while the battery charger is plugged in.
- ⚠** Do not allow brake fluids, gasoline, petroleum-based products, penetrating oils, etc. to come into contact with the plastic on your charger. Chemicals can damage, weaken, or destroy plastic which may result in serious personal injury.
 - Do not use solvents when cleaning the plastic parts of your charger. Most plastics are susceptible to damage from various types of commercial solvents and may be damaged by their use.
 - Wipe your charger down with a clean, dry cloth after cleaning. This will avoid unwanted moisture on the surface.
 - It is not necessary to disassemble your charger when cleaning. If the charger is damaged in any way, take it to a qualified technician and do not plug it in.

6 TROUBLESHOOTING

The following chart lists problem symptoms, possible causes, and corrective action if your product does not operate properly. If these do not identify and correct the problem, contact our helpline at 800-541-7027.

PROBLEM	PROBABLE CAUSE	CORRECTIVE ACTION
Flashing red LED light and no charge	The charger is at an unsuitable temperature for operation	Unplug the charger and allow the battery pack to reach normal temperature. Charging can resume when the battery pack cools down to approximately 110°F or warms to more than 40°F.
Flashing alternating green and red lights without charge	Either the battery pack or the charger is defective.	Remove the battery from the charger and reinstall it. If the charger still doesn't work, contact customer service.
Green LED light on without charge	Overvoltage	Remove the battery from the charger and reinstall it. If the charger still doesn't work, contact customer service.

7 LIMITED WARRANTY COVERAGE

The manufacturer warrants that it will repair or replace, free of charge, any failure due to defects in materials or workmanship or both occurring during the applicable warranty period, subject to the exclusions and limitations outlined in the following paragraphs. Limited Warranty coverage only applies to Green Machine[®] products that are purchased from an authorized Green Machine[®] retailer located in the United States, U.S. territories, or Canada. This warranty is effective for and is subject to the periods and conditions stated below. For warranty service, the purchaser must make the product available to the nearest Authorized Service Dealer, which can be found by contacting the helpline at 800-541-7027.

Persons Covered This Limited Warranty

This warranty is valid for the original retail purchaser from the date of initial retail purchase and is not transferable.

"Consumer Use"

"Consumer Use" means personal residential household use by a retail consumer.

"Commercial Use"

"Commercial Use" means uses for commercial, income-producing purposes. This warranty is void if the product has been used for rental purposes.

WARRANTY PERIOD

Item	Consumer Use	Commercial Use
Garden Tool	5 years	1 year
Battery and Charger	3 years	45 days

What are the limits on the Manufacturer's Liability?

- A. The manufacturer shall not be liable for any incidental or consequential damages of any kind resulting from the purchase, use or misuse of, or inability to use the product including incidental, special, consequential, or similar damages or loss of profits, or for any claim brought against the purchaser by any other party. There are no express warranties other than those set forth herein. Any warranty implied by state law (whether of merchantability or fitness for a particular use or otherwise) shall be effective for any product only for the duration of the applicable

limited warranty period listed above. Some states or jurisdictions do not allow the exclusion or limitation of incidental or consequential damages or limitations on how long an implied warranty lasts, so the above limitations or exclusion may not apply to you. This warranty gives you specific legal rights, and you may also have other rights that vary from state to state or jurisdiction to jurisdiction. Please do not return this product to the place of purchase.

- B. This warranty applies only to products that have been properly assembled, adjusted, operated, and maintained in accordance with the instructions furnished.
- C. This warranty does not apply to any product which has been subjected to alteration, misuse, abuse, improper assembly or installation, delivery damage, or normal wear of the product.
- D. This warranty does not cover normal wear of parts or damage resulting from any of the following: negligent use or misuse of the product, use on improper voltage or current, use contrary to the operating instructions, disassembly, repair, or alteration by anyone other than an authorized service dealer. Further, the warranty does not cover acts of God, such as fire, flood, hurricanes, and tornadoes.

Duties of the Consumer

- A. Keep the original sales receipt for the length of the limited warranty period as proof of purchase. Proof of purchase is required to obtain a warranty. The manufacturer reserves the right to request a copy of the receipt to verify limited warranty coverage in the event a warranty repair is made to the product.
- B. Use reasonable care in the maintenance, operation, and storage of the product as explained in the operator's manual.
- C. Transportation charges on products or parts submitted for repair or replacement under this warranty must be paid by the purchaser unless such repair or replacement is requested by the manufacturer.

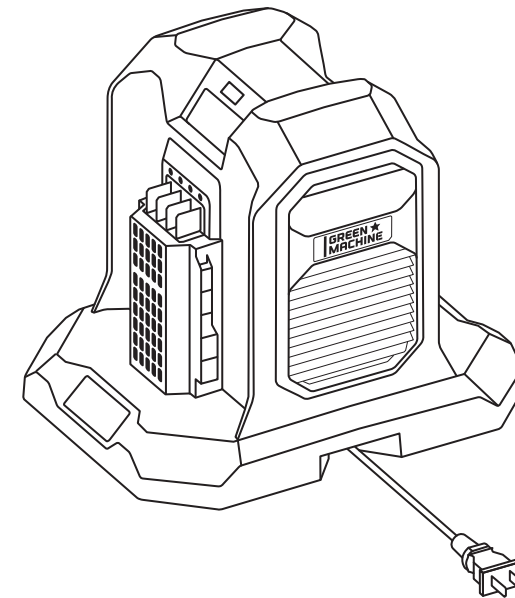
Duties of the Manufacturer

- A. Any defective product or part covered by this limited warranty will be repaired or replaced at the option of the Manufacturer.
- B. Product failures covered by this limited warranty will be scheduled and repaired according to the normal workflow of the Authorized Service Dealer to whom the product is delivered for service depending upon the availability of replacement parts or products



Manual del Operador

CARGADOR DE BATERÍAS 62V



Modelo: GMBC6200-D

⚠️ ADVERTENCIA: Para reducir el riesgo de lesiones, el usuario debe leer y comprender el manual del operador antes de usar este producto. Guarde estas instrucciones para referencia en el futuro.

LÍNEA DE AYUDA GRATUITA: (800) 541 - 7027





CONTENIDOS

Sección 1	Reglas Generales de Seguridad	3
Sección 2	Diagrama de Partes	5
Sección 3	Detalles Técnicos	6
Sección 4	Operación	7
Sección 5	Mantenimiento	8
Sección 6	Resolución de Problemas	9
Sección 7	Cobertura De Garantía Limitada	10

1 REGLAS GENERALES DE SEGURIDAD

SÍMBOLOS

Los siguientes símbolos pueden aparecer en su dispositivo antes, durante o después de su uso. Tómese el tiempo de leer y entender el significado de cada símbolo antes de usar su dispositivo.

	Alerta de Seguridad	Precauciones que involucran su seguridad.
	Lea el Manual del Operador	Para reducir el riesgo de lesiones, el usuario debe leer y comprender el manual del operador antes de usar este producto.
	No Exponga a la Lluvia o Condiciones Húmedas	Este símbolo indica que su máquina no debe exponerse al agua de ninguna forma. La exposición del dispositivo al agua puede crear condiciones peligrosas y provocar una electrocución.
	Símbolos de reciclaje	La batería contiene sustancias tóxicas. Las leyes locales, estatales o federales pueden prohibir la eliminación de baterías en la basura común del hogar. Consulte a su autoridad local de residuos para obtener información sobre las opciones de eliminación disponibles.

INSTRUCCIONES IMPORTANTES DE SEGURIDAD

LEA TODO LO SIGUIENTE ANTES DE UTILIZAR ESTE PRODUCTO. Las instrucciones de seguridad de este manual están diseñadas para proteger su seguridad y guiar el uso de este producto Green Machine® cargador de baterías GMBC6200-D. No leer y comprender la siguiente información puede crear un espacio de trabajo inseguro que podría constituir un riesgo de descarga eléctrica, explosiones, incendios o reacciones químicas. Guarde todas las advertencias e instrucciones para futuras referencias.

- ⚠** **Utilice este cargador únicamente con baterías recargables Green Machine®;** modelos GMBA6200-25, GMBA6200-40, GMBA6200-80, GMBA6200-120. Cargar otros tipos de baterías con este cargador puede causar incendios y peligros generales de seguridad.

1.1 SEGURIDAD EN EL ESPACIO DE TRABAJO

- **Prepare su espacio de trabajo.** Asegurar un espacio de trabajo limpio y bien iluminado debe ser el primer paso para usar sus herramientas de Green Machine®. Utilice dispositivos de extracción y recolección de polvo si están disponibles.
- **Nunca opere sus herramientas eléctricas en presencia de líquidos, gases o polvos inflamables.**
- **Mantenga alejados a los niños y transeúntes mientras utiliza sus herramientas eléctricas.** Al operar lejos de los transeúntes, está reduciendo el riesgo de lesiones al minimizar el daño potencial a otras personas además de usted. Además, puede evitar distracciones no deseadas que pueden provocar un funcionamiento inseguro.

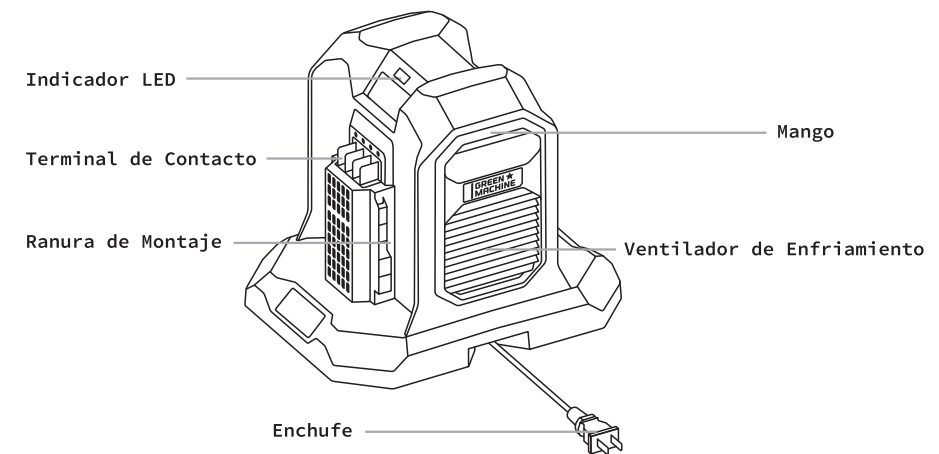
1.2 SEGURIDAD DEL CARGADOR

- **No modifique su cargador.** El uso de un accesorio no recomendado por el fabricante puede resultar en un riesgo de incendio, descarga eléctrica o en lesiones.
- **Al desenchufar el cargador, tire directamente del enchufe.** Evite halar el cable de alimentación.
- **La información sobre la corriente y el voltaje del paquete de baterías debe coincidir con las del cargador.**
- **No manipule el cargador con las manos mojadas.**
- **Evite pararse accidentalmente en el cable de alimentación siendo siempre consciente de su ubicación.**
- **Recargue su batería solo con el cargador especificado por el fabricante.**
- **Coloque el cargador lejos de cualquier fuente de calor.**
- **Mantenga el cargador alejado de la lluvia y/o la humedad.** El agua aumenta el riesgo de descarga eléctrica.
- **No deje el equipo desatendido mientras esté en funcionamiento para evitar el riesgo de incendio, quemaduras y descargas eléctricas.**
- **No utilice el cargador si está dañado.**
- **No desarme el cargador.**

- **No lo utilice si el cable de alimentación está dañado.**
- **Solo haga que su cargador sea reparado por un distribuidor de servicio de Green Machine® usando repuestos idénticos.** Comuníquese con el servicio al cliente al (800) 541-7027 para ubicar un distribuidor certificado.

GUARDA ESTAS INSTRUCCIONES




2 DIAGRAMA DE PARTES



3 DETALLES TÉCNICOS

Número de Modelo del Cargador de Baterías	GMBC6200-D			
Voltaje de Entrada	100-120Va.c., 60Hz, 10A			
Voltaje de Salida	62V d.c., 4+4A			
Rango de Temperatura de Carga	32 - 104° F (0-40 C)			
Peso	5.29lbs (2.4kg)			
Batería Compatible	GMBA6200-25	GMBA6200-40	GMBA6200-80	GMBA6200-120
Voltaje	62Vd.c.	62Vd.c.	62Vd.c.	62Vd.c.
Capacidad de Batería	2.5Ah/135Wh	4Ah/216Wh	8Ah/432Wh	12Ah/648Wh
Número de Células de Batería	15pcs	15pcs	30pcs	45pcs
Peso	2.98 lbs. (1.35kg)	3.75lbs (1.7kg)	6.66lbs (3.02kg)	9.37lbs (4.25kg)

4 OPERACIÓN


-  No opere el cargador si ha sido dañado.
-  Nunca cargue su batería al aire libre, especialmente en condiciones húmedas.
-  No deje el cargador desatendido mientras esté encendido para evitar el riesgo de incendio, quemaduras y descargas eléctricas.

4.1 INDICADOR LED DE ESTATUS

Por favor refiérase a la siguiente tabla para el significado de la pantalla LED.

Indicador LED de estatus	Estatus del cargador
El indicador es un rojo constante	Vacío o no hay batería
Indicador parpadea en verde	Carga normal
Indicador está constantemente en verde	Carga complete
Indicador parpadea en rojo	Temperatura anormal – ver 6. SOLUCIÓN DE PROBLEMAS
El indicador parpadea en rojo y verde alternativamente	Estado anómalo; consulte 6. RESOLUCIÓN DE PROBLEMAS

4.2 CARGAR UNA BATERÍA

-  El cargador puede calentarse durante la carga, esto es normal. Cargue en un área bien ventilada para asegurarse de que el cargador no se sobrecaliente.

NOTA: Los paquetes de baterías se envían con una carga parcial y deben cargarse por completo antes del primer uso.

Siga los siguientes pasos para asegurar una carga segura y efectiva usando su Cargador de Batería Green Machine®.

1. Asegúrese de que la batería que está cargando coincida con el rango de voltaje de su cargador.
2. Conecte el enchufe del cargador a la fuente de alimentación. Si la alimentación se conecta correctamente, la luz LED roja debería encenderse.

3. Alinee las ranuras elevadas del paquete de baterías con las ranuras de montaje del cargador. Conecte los dos y coloque la batería en su lugar.
4. El LED del cargador comenzará a parpadear en verde una vez que la batería esté colocada correctamente y haya comenzado la carga.
5. Cuando el LED del cargador se ilumine en verde continuo, la batería está completamente cargada. Espere hasta que el ventilador de enfriamiento se detenga, luego retire el paquete de baterías del cargador y desconecte el cargador de la fuente de alimentación.

5 MANTENIMIENTO

⚠ Nunca limpie su herramienta ni realice ningún mantenimiento mientras el cargador de baterías está conectado.

⚠ No permita que los líquidos de frenos, gasolina, productos a base de petróleo, aceites penetrantes, etc. entren en contacto con el plástico de su cargador. Los productos químicos pueden dañar, debilitar o destruir el plástico, lo que puede provocar lesiones personales graves.

- No utilice solventes al limpiar las piezas de plástico de su cargador. La mayoría de los plásticos son susceptibles de dañarse con varios tipos de solventes comerciales y pueden dañarse con su uso.
- Limpie su cargador con un paño limpio y seco después de limpiarlo. Esto evitará la humedad no deseada en la superficie.
- No es necesario desarmar su cargador al limpiar. Si la máquina está averiada de alguna manera, llévela a un técnico calificado y no la conecte.

6 RESOLUCIÓN DE PROBLEMAS

El siguiente cuadro enumera los síntomas del problema, las posibles causas y las acciones correctivas, si su producto no funciona correctamente. Si estos no identifican ni corrigen el problema, comuníquese con nuestra línea de ayuda al 800-541-7027.

PROBLEMA	CAUSA PROBABLE	ACCIÓN CORRECTIVA
Luz LED parpadeando en rojo y no hay carga	El cargador está a una temperatura inadecuada para su operación.	Deje que la batería alcance la temperatura normal. La carga comenzará cuando la batería se enfríe a aproximadamente 110 °F o se caliente a más de 40 °F.
Luces parpadeando alternativamente entre rojo y verde sin carga	Ya sea el paquete de baterías o el cargador están defectuosos.	Remueva la batería del cargador y vuelva a instalarla. Si el cargador aún no funciona, comuníquese con el servicio al cliente.
Luz verde LED encendida sin carga	Sobrevoltaje	Remueva la batería del cargador y vuelva a instalarla. Si el cargador aún no funciona, comuníquese con el servicio al cliente.

7 COBERTURA DE GARANTÍA LIMITADA

El fabricante garantiza que reparará o reemplazará, sin cargo alguno, cualquier falla debida a defectos en los materiales o en la mano de obra, o en ambos, que ocurra durante el período de garantía aplicable, sujeto a las exclusiones y limitaciones que se indican en los párrafos siguientes. La cobertura de la Garantía Limitada sólo se aplica a los productos de Green Machine® que se compran a un minorista autorizado de Green Machine® ubicado en los Estados Unidos, territorios de los Estados Unidos o Canadá. Esta garantía es efectiva y está sujeta a los períodos y condiciones que se indican a continuación. Para obtener el servicio de garantía, el comprador debe poner el producto a disposición del distribuidor de servicio autorizado más cercano, que puede encontrarse contactando con la línea de ayuda al 800-541-7027.

Personas cubiertas por esta garantía limitada

Esta garantía es válida para el comprador minorista original a partir de la fecha de la compra minorista inicial y no es transferible.

“Uso del consumidor”

“Uso del consumidor” significa el uso doméstico residencial personal por parte de un consumidor minorista.

“Uso comercial”

“Uso comercial” se refiere a los usos con fines comerciales y generadores de ingresos. Esta garantía queda anulada si el producto se ha utilizado con fines de alquiler.

PERÍODO DE GARANTÍA

Artículo	Uso del consumidor	Uso comercial
Herramienta de jardín	5 años	1 año
Batería y cargador	3 años	45 días

¿Cuáles son los límites de la responsabilidad del fabricante?

- E. El fabricante no será responsable de ningún daño incidental o consecuente de ningún tipo que resulte de la compra, uso o mal uso del producto, o de la imposibilidad de utilizarlo, incluyendo daños incidentales, especiales, consecuentes o similares o pérdida de beneficios, o por cualquier reclamo presentado contra el comprador por cualquier otra parte. No hay más garantías expresas que las establecidas en este documento. Cualquier garantía implícita por la ley estatal (ya sea de comerciabilidad o idoneidad para un uso particular o de otro tipo) será efectiva para cualquier producto sólo por la duración del período de garantía limitada aplicable indicado anteriormente. Algunos estados o jurisdicciones no permiten la exclusión o limitación de los daños incidentales o consecuentes, ni la limitación de la duración de una garantía implícita, por lo que es posible que las limitaciones o exclusiones anteriores no se apliquen en su caso. Esta garantía le otorga derechos legales específicos, y también puede tener otros derechos que varían de un estado a otro o de una jurisdicción a otra. Por favor, no devuelva este producto al lugar de compra.
- F. Esta garantía se aplica únicamente a los productos que han sido correctamente montados, ajustados, operados y mantenidos de acuerdo con las instrucciones suministradas.
- G. Esta garantía no se aplica a ningún producto que haya sido sometido a alteración, mal uso, abuso, montaje o instalación incorrecta, daños en la entrega o desgaste normal del producto.
- H. Esta garantía no cubre el desgaste normal de las piezas o los daños resultantes de cualquiera de los siguientes: uso negligente o mal uso del producto, uso con voltaje o corriente inadecuados, uso contrario a las instrucciones de funcionamiento, desmontaje, reparación o alteración por cualquier persona que no sea un distribuidor de servicio autorizado. Además, la garantía no cubre casos de fuerza mayor, como incendios, inundaciones, huracanes y tornados.

Obligaciones del consumidor

- A. Conserve el recibo de compra original durante el período de garantía limitada como prueba de compra. La prueba de compra es necesaria para obtener la garantía. El fabricante se reserva el derecho de solicitar una copia del recibo para verificar la cobertura de la garantía limitada en caso de que se realice una reparación en garantía del producto.
- B. Tenga un cuidado razonable en el mantenimiento, funcionamiento y almacenamiento del producto, tal y como se explica en el manual del operador.
- C. Los gastos de transporte de los productos o piezas enviados para su reparación o sustitución en virtud de esta garantía deben ser pagados por el comprador, a menos que dicha reparación o sustitución sea solicitada por el fabricante.

Obligaciones del fabricante

- A. Cualquier producto o pieza defectuosa cubierta por esta garantía limitada será reparada o sustituida a elección del Fabricante.
- C. Las fallas del producto cubiertas por esta garantía limitada serán programadas y reparadas de acuerdo con el flujo de trabajo normal del Distribuidor de Servicio Autorizado a quien se le entregue el producto para su servicio, dependiendo de la disponibilidad de piezas o productos de reemplazo.