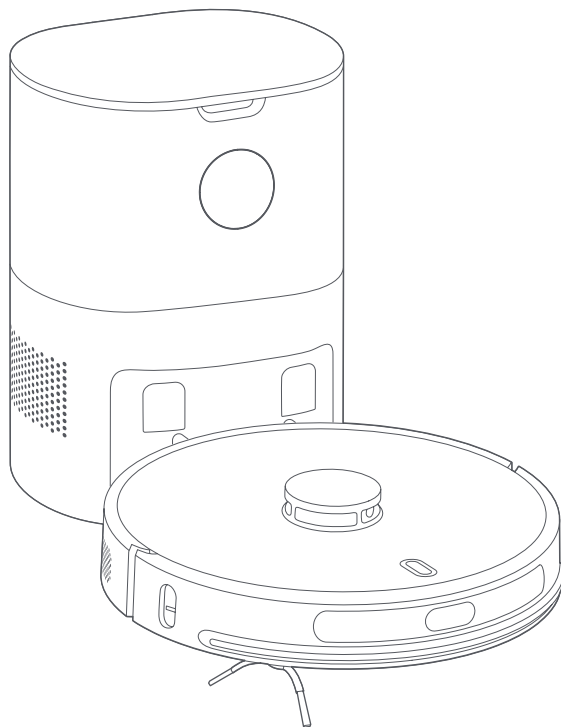


Lydsto Sweeping and Mopping Robot L1 Instruction Manual



Lydsto

Tips

Please read through this manual before using the product, and keep it properly.

TABLE OF CONTENTS

Safety instructions.....	1
Packing list.....	3
Basic parameters.....	5
Product introduction.....	7
Install the dust collection charging pile.....	11
Use.....	12
Maintenance and upkeeping.....	15
Troubleshooting.....	26

Safety Instructions

Restrictions on use • Plastic bags are dangerous! Keep plastic bags out of the reach of infants and children to avoid suffocation.

- This product is designed only for cleaning the floor in the home environment. Do not use it outdoors (such as open balcony), in places other than the floor (such as sofa), or in commercial or industrial environment.
- Do not use the product in hanging places (such as duplex floor, open balcony, top of home) without any protective rail.
- Do not use the product in the environment above 40 °C, below 0 °C or with any liquid and viscous substances on the ground
- Before use, please hang up the ground cable at home to avoid dragging the cable when the machine is operating.
- Put away the fragile articles and sundries (such as flower bottles and plastic bags) on the ground to prevent the machine from being blocked or hit during operation, causing damage to valuables.
- Do not let those who are physically, perceptually and intellectually deficient or lacking of experience and common sense (including children) use the product without monitoring or guidance.
- Do not let children use the product as a toy.
- Do not put the main brush cleaning tool in a place accessible to children.
- Keep the hair, fingers and other parts of men or pets away from the suction inlet of the machine when the machine is operating.
- Do not use the product to clean any burning objects (such as cigarette ends that are not extinguished).
- Do not absorb hard or sharp objects (such as decoration wastes, glass and nails) with the machine.
- Do not handle the machine with the protective cover of the laser distance measuring sensor, the upper cover of the machine and the collision buffer as the lifting hand.
- To clean and maintain the machine and the dust collection charging pile, you must turn off the machine, pull out the plug from the socket and disconnect the power supply first.
- Do not immerse the machine and the dust collection charging pile in water for cleaning or flush them with water.
- Do not wipe any part of the product with a damp cloth or any liquid.
- Do not use the floor mopping module on the carpet.
- Do not use it under direct sunlight.
- Use the product according to the instructions. Any loss and injury caused by improper use shall be borne by the user.

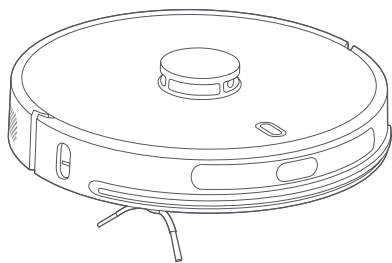
Battery and charging

- Even if the product has been seriously damaged, it is strictly forbidden to burn the product, because the product battery may cause explosion.
- Do not use the batteries, chargers and dust collection charging piles of any third party.
- Do not disassemble, repair or refit the battery and dust collection charging pile without permission.
- Do not place the dust collection charging pile close to heat sources (such as radiator).
- Do not wipe or clean the dome of the dust collection charging pile with a damp cloth or wet hands.
- Do not discard used batteries at will. Before discarding the sweeping and mopping robot, the power supply must be disconnected and the batteries should be taken out of the sweeping and mopping robot for environmental protection.
- In order to avoid danger, any damaged power cord must be replaced by professionals from the manufacturer, its maintenance department or similar departments.
- If you need to transport the product, make sure that the machine is turned off and it is recommended to use the original package.
- Do not pour water into the device or immerse it in water.
- If it will be not used for a long time, fully charge the machine, turn it off and put in a cool and dry place. Charge the machine at least once every three months to avoid battery damage due to over discharge.
- This appliance contains batteries that are only replaceable by skilled persons.

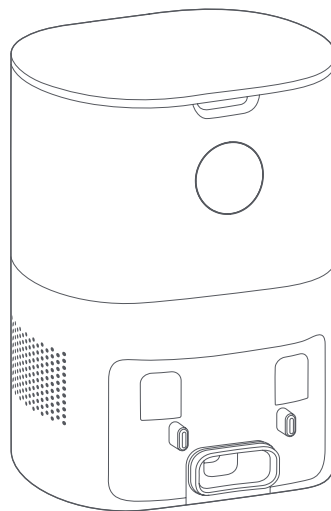
Warn

- This appliance can be used by children aged from 8 years and above and persons with reduced physical, sensory or mental capabilities or lack of experience and knowledge if they have been given supervision or instruction concerning use of the appliance in a safe way and understand the hazards involved.
- Children shall not play with the appliance.
- Cleaning and user maintenance shall not be made by children without supervision.
- This appliance contains batteries that are only replaceable by skilled persons.

Packing List



Sweeping and mopping robot



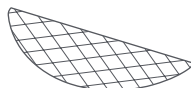
Dust collection charging pile



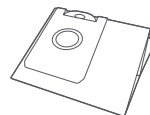
Mop cloth support



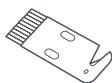
Mop cloth



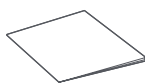
Disposable mop cloth ×30



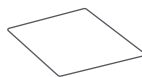
Dust bag ×7



Cleaning knife



Instructions

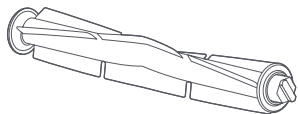


Quick start guide

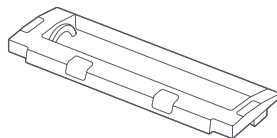
Tips: The illustrations of products, accessories, user interfaces and so on in the Instructions are schematic diagrams, which are for reference only.

Due to the update and upgrading of the product, the real product may be slightly different from that shown in the schematic diagrams. Please refer to the real product.

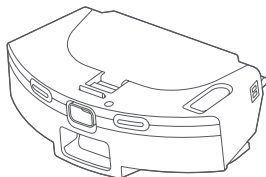
Accessories installed on the sweeping and mopping robot



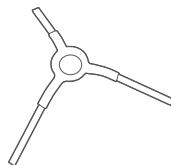
Main brush



Main brush cover



Two-in-one water tank

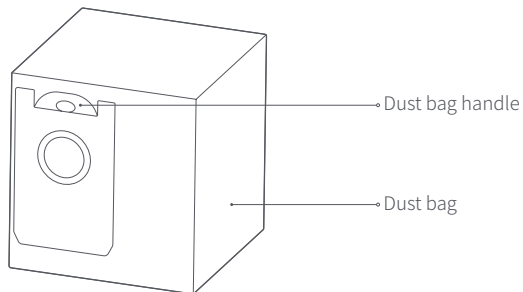


Side brush

Accessories installed on the dust collection charging pile

Dust bag (1 dust collection charging pile has been installed)

Tips: the dust bag is consumable, and cannot be reused.
Please replace it regularly.



Basic Parameters

Sweeping and Mopping Robot

Product name	Robot vacuum cleaner
Product model	YM-L1-B03、YM-L1-W03
Product dimensions	349 × 100 × 353mm
Input of sweeping and mopping robot	24V \equiv 1.2A
Rated power of sweeping and mopping robot	50W
Operating voltage of sweeping and mopping robot	14.4V \equiv
Battery type	Lithium ion battery pack
Battery capacity	5200mAh
Wireless connection	Wi-Fi IEEE 802.11b/g/n 2.4GHz

Dust collection Charging Pile

Output of dust collection charging pile	24V \equiv 1.2A
Rated power of dust collection charging pile	1050W
Product dimensions	250 × 210 × 350mm

Complete Machine

Net weight	About 7.75kg
------------	--------------

Instructions on Environmental Protection

The chemicals contained in the lithium-ion battery of the product will pollute the environment. Please remove the battery before scrapping and send it to a professional battery recycling station for centralized disposal. Steps for removing the battery.

*The following information is only applicable to the discarding of the sweeping and mopping robot and not to daily operation

1. Make the sweeping and mopping robot run to a low battery level at which the robot cannot perform the cleaning task without contacting the dust collection charging pile.
2. Turn off the sweeping and mopping robot.
3. Remove the side brush and the mop cloth support of the robot.
4. Unscrew the bottom cover of the sweeping and mopping robot, and remove the bottom cover.
5. Pull out the connector plug of the battery, and remove the battery.

Notes:

To remove the battery, make sure that the battery is exhausted and the product is disconnected from the dust collection charging pile.

Please remove the battery pack as a whole. Do not damage the battery pack case to avoid short circuit or leakage of hazardous substances.

If you contact substances leaking from the battery by accident, wash the contact part with plenty of water and see a doctor in time

Product Introduction

1. Machine

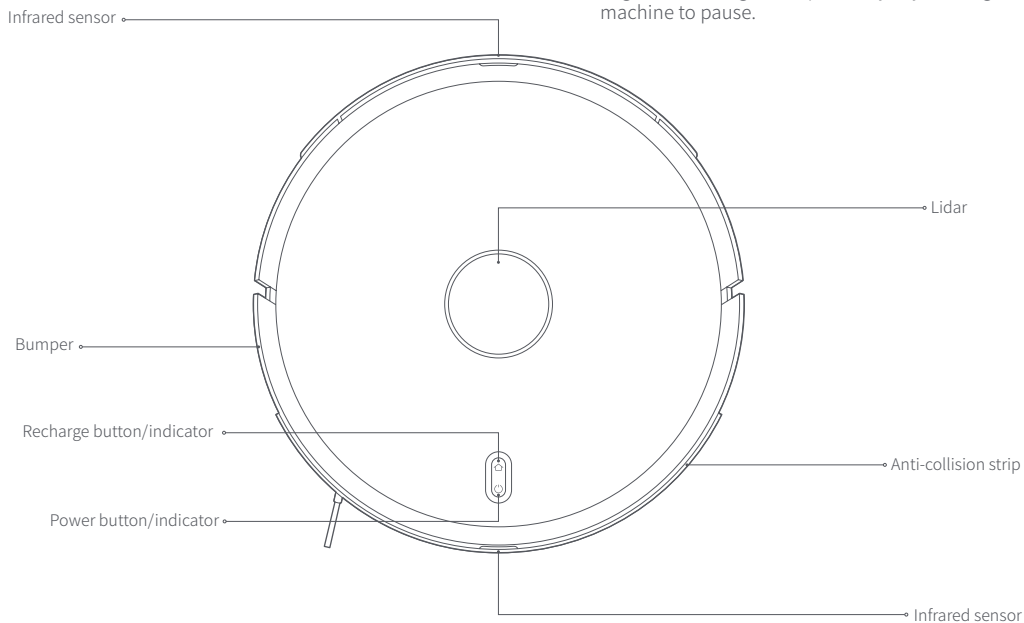
Recharge/fixed-point cleaning

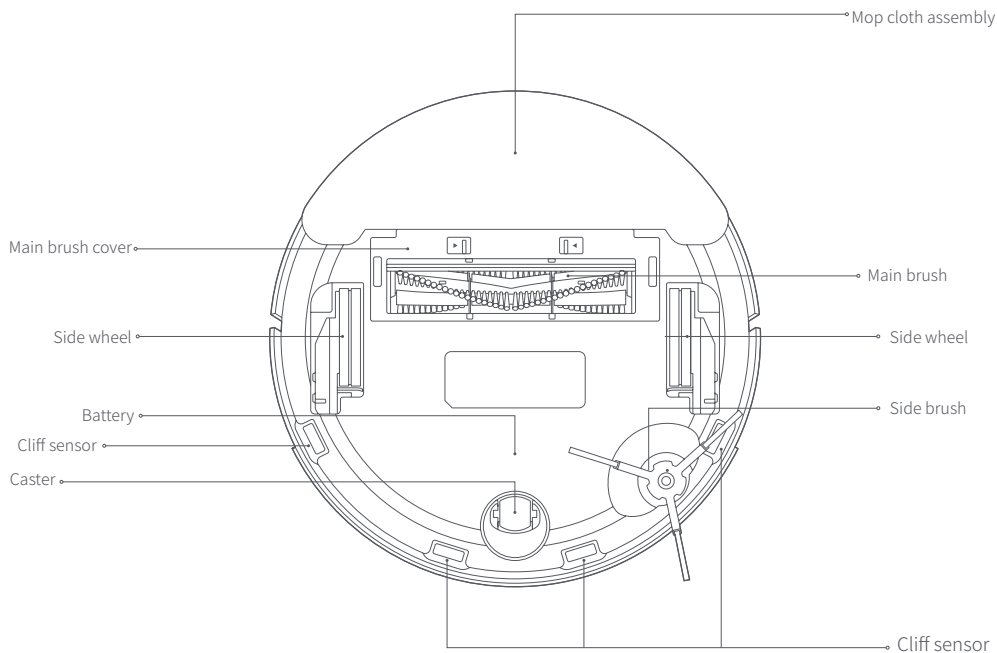
Short-press to start the recharge
Press and hold for 3 seconds to start the fixed-point cleaning

On and off/global cleaning

Short-press to start the global cleaning/pause
Press and hold for 3 seconds to turn on or off the machine

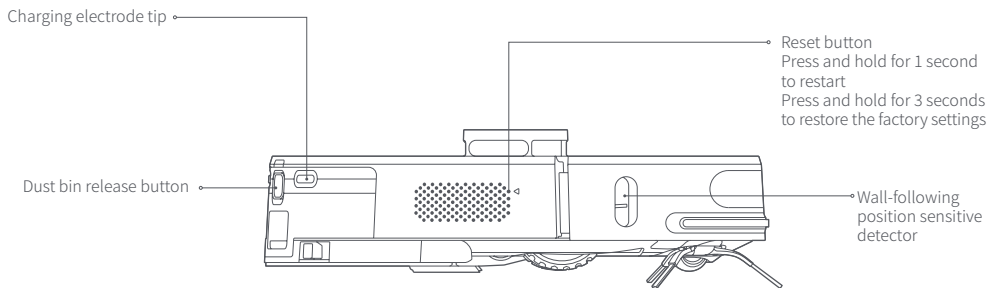
Tips: In the course of recharging, fixed-point cleaning or global cleaning, short-press any key to bring the machine to pause.





Description of Indicator Status

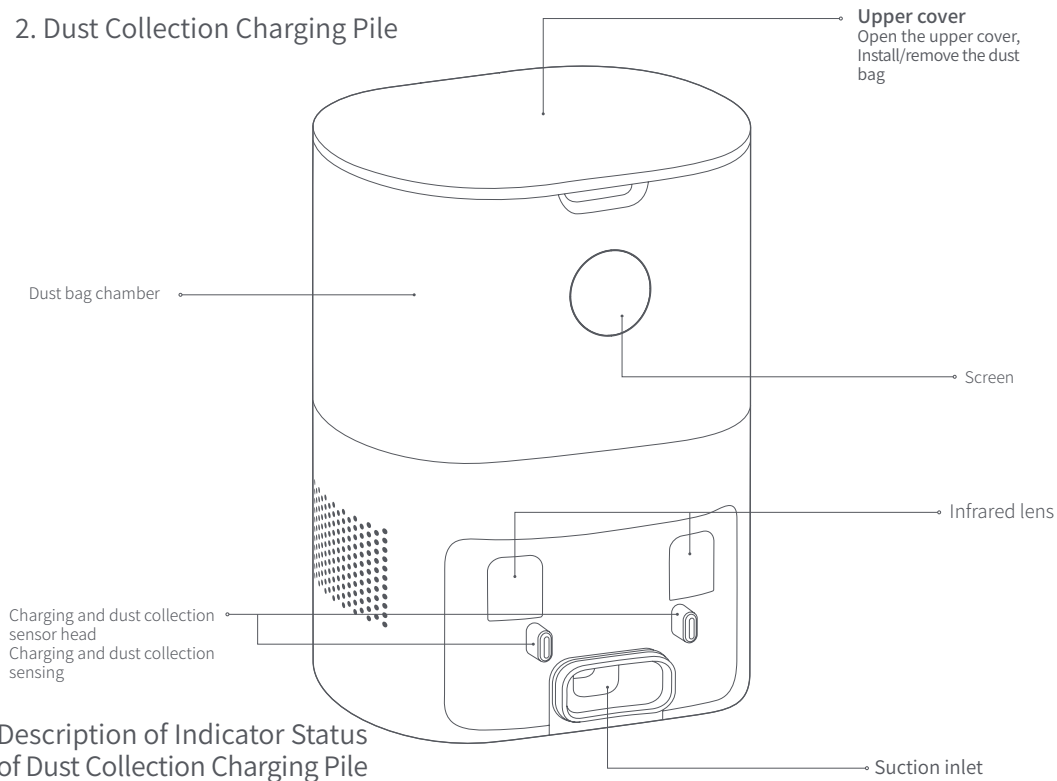
Machine status	🕒 Status of power indicator	🏠 Status of recharge indicator
Standby/pause	Blinking in white	Off
Charging	Breathing in white	Off
Hibernate	Normally on in white (becoming darker)	Off
Cleaning/remote control	Normally on in white	Off
Recharging	Off	Normally on in orange



Description of Indicator Status

Machine status	⏻ Status of power indicator	🏠 Status of recharge indicator
Abnormal	Blinking in red	Off
Turned off	Off	Off
Wi-Fi reset/not connected/being connected	Blinking in orange	Blinking in orange
Wi-Fi connected	Blinking in white	Off

2. Dust Collection Charging Pile



Upper cover
Open the upper cover,
Install/remove the dust
bag

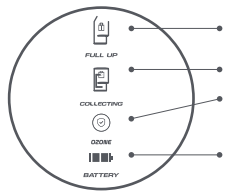
Dust bag chamber

Charging and dust collection
sensor head
Charging and dust collection
sensing

Screen

Infrared lens

Description of Indicator Status of Dust Collection Charging Pile



If the dust bag is full, the light will be bright. If the dust bag is not installed correctly, the light will flash

In the dust collection, the lamp is bright and flashing.

Finish dust collecting, the ozone function on and the icon indicator is steady on.

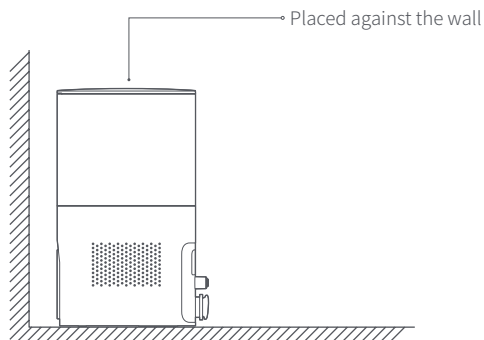
When the power is less than or equal to 50%, the left of bar of battery only shows green, and when charging, the green flashes with lightning sign. When the power is more than 50%, the left of bar of battery is always green, and when charging, the right of bar of battery continues to do what the left does. When the power is full, the whole bar of battery always show green

Suction inlet
Suck the trash in the
machine into the dust
bag through the suction
inlet

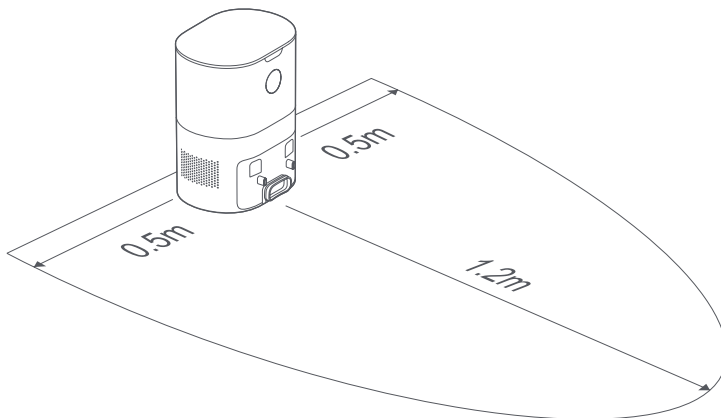
Tips: The dust bag is consumable. One bag is installed on the robot, and additional four bags are provided. After use-up, you need to make a purchase through the designated official channel.

Install the Dust Collection Charging Pile

- Lay the dust collection charging pile on the flat ground over 5cm away from the wall, insert the power plug into the socket meeting the requirements, and connect the power supply.



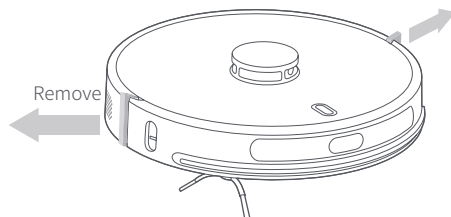
- Ensure that there are no obstacles within 1.2m in front of the dust collection charging pile and 0.5m on both sides.





Use

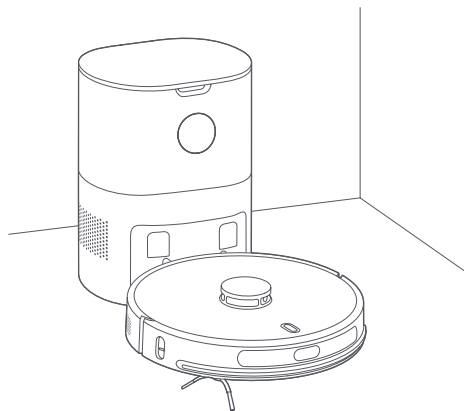
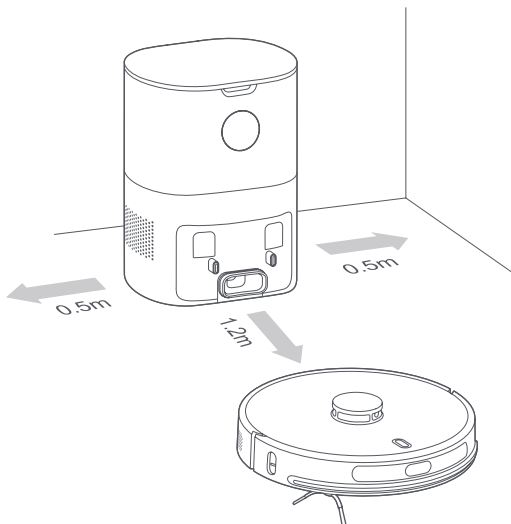
Remove the Limit Bar

Put the sweeping and mopping robot on the flat indoor ground, and remove the protection device of limit bar at both ends of the front bumper.



Charging of the Sweeping and Mopping Robot

Press and hold the button  for 3 seconds to start the sweeping and mopping robot, and then short-press the button  to make the robot recharge automatically. The robot enters the ready state once fully charged.



- Fully charge the sweeping and mopping robot before starting cleaning.
- Before starting the cleaning, tidy away the wires and articles on the ground to avoid damage caused by winding, dragging and hitting during cleaning.
- It is suggested to start the sweeping and mopping robot at the dust collection charging pile.
- When the battery is low during the cleaning, the sweeping and mopping robot will automatically return to the dust collection charging pile for charging, and automatically return to the interrupted place to continue cleaning when the battery is full.



Connect to MIJIA APP

The product has been connected to MIJIA. It can be controlled by MIJIA APP and interconnected with other products.

Scan the QR code, download and install MIJIA APP. Users with MIJIA APP already installed will directly enter device connection page. Or search "MIJIA" in APP store, download and install MIJIA APP. Open the home page of MIJIA APP, click "+" at the top right, and add the device according to the method recommended by the APP.

Note: The actual operation may be slightly different from the description above due to the upgrade and update of MIJIA APP. Please follow the current guide in MIJIA APP.



Press  button and  button for 3 seconds at the same time, and hear the sound prompt "Wi-Fi has been reset". The power indicator and re-charge indicator flash in orange. At this time, hold them on for 2 seconds. Hear the sound prompt "Enter MIJIA Networking Mode", then enter the MIJIA Networking Mode. After that, use MIJIA APP for networking operations.



Connect to Lydsto APP

Lydsto APP can be downloaded from Apple APP market or Google APP market.

Or Scan the following QR code, Download and install Lydsto APP.








Reset Wi Fi

Press and hold the buttons  and  for 3 seconds, then you will hear a voice prompt "Wi Fi has been reset", the power indicator and the recharge indicator will blink in orange, and the sweeping and mopping robot will enter the state of waiting connection.


Tips: only 2.4GHz frequency band Wi Fi network is supported.

On/Off/Pause



- Press and hold the button  for 3 seconds to turn on the machine; the power indicator blinks in white after blinking in white slowly for 5 seconds, and then the sweeping and mopping robot enters the standby state; short-press the button  to start the global cleaning; or press and hold the button  for 3 seconds to start the fixed-point cleaning.
- When the robot is still, press the button  for 3 seconds to turn off the machine. The power indicator will blink in white quickly for 5 seconds and then go out.
- In the process of cleaning, short-press the button , then the sweeping and mopping robot will pause.
- If the sweeping and mopping robot is still and has not operated for more than 60 minutes, it will enter the hibernate state. In the hibernate state, you can give any button a brief press to wake up the machine.

Tips: during charging, the sweeping and mopping robot cannot be turned off.

Automatic Recharge/Manual Recharge

- When the battery is low during cleaning, or when the cleaning is finished, the sweeping and mopping robot will automatically recharge.
- During cleaning, short-press the button , then the sweeping and mopping robot will return to the dust collection charging pile to recharge.

Add water to the water tank or clean the mop cloth mid way

- Short-press the button  to the sweeping and mopping robot, removes the floor mopping module, add water or clean the mop cloth, replace the floor mopping module, and short-press the button  again to continue cleaning.

Set the Cleaning Mode

- The machine is in the standard mode by default; after it is connected with APP, you can select more modes in the App.

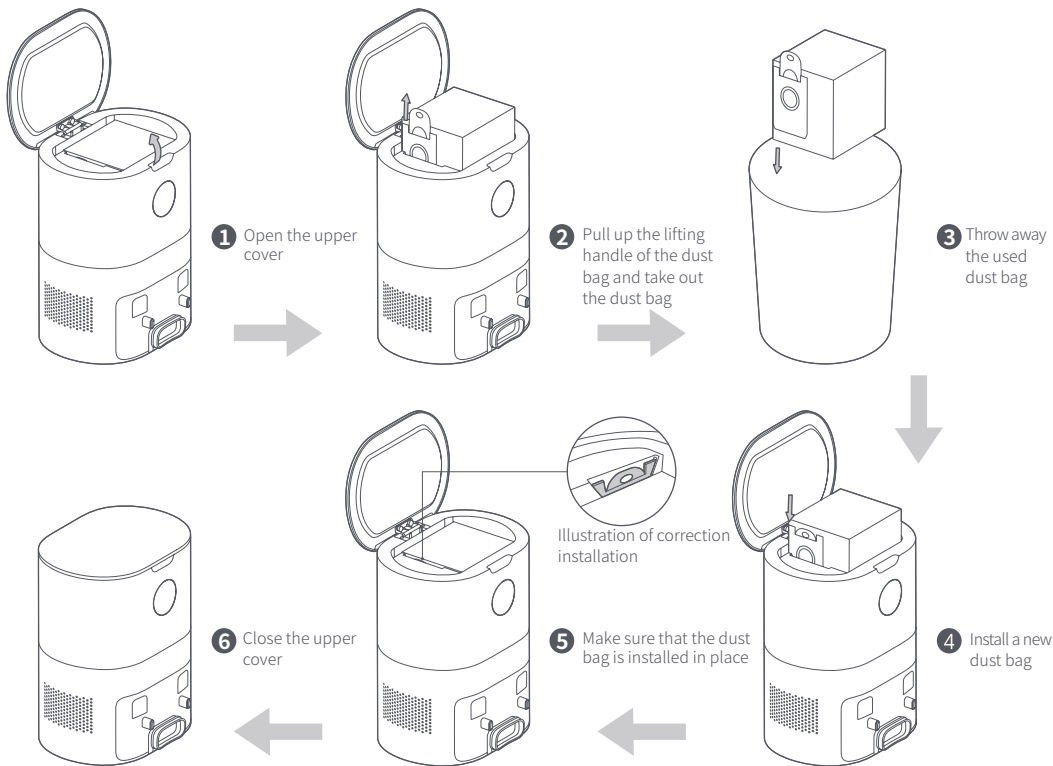
Failure State

- When the sweeping and mopping robot is abnormal, it will give a voice prompt and the power indicator will blink in red. Please refer to "Troubleshooting" for solutions.
- When there is no operation for 60 minutes under the failure state, the sweeping and mopping robot will hibernate automatically.

Maintenance and Upkeeping

Replace the Dust Bag

When the dust bag is full, the 'FULL UP' sign is keeping high brightness, and app notice is given. Please replace the dust bag in time. The 'COLLECTING' sign will be high brightness while the collector is working. When the host is fully charged, the mark of 'BATTERY' is all green and high brightness, battery power is less than or equal to 50%, just a half mark is high brightness.

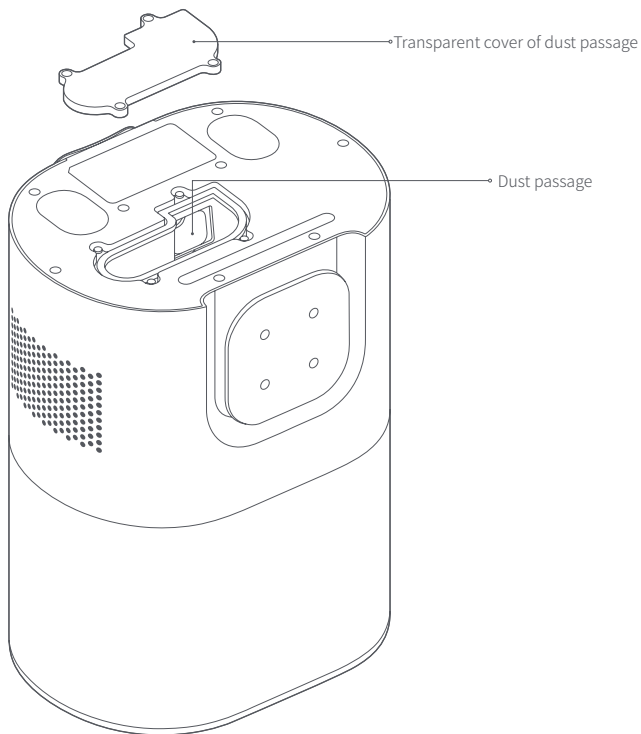


Clean the Dust Passage

If the 'FULL UP' sign, The 'COLLECTING' sign and the 'BATTERY' sign all is twinkling after the dust bag is replaced, it is recommended to pull out the power plug and reverse the dust collection charging pile to check whether there are foreign matters blocking the dust passage.

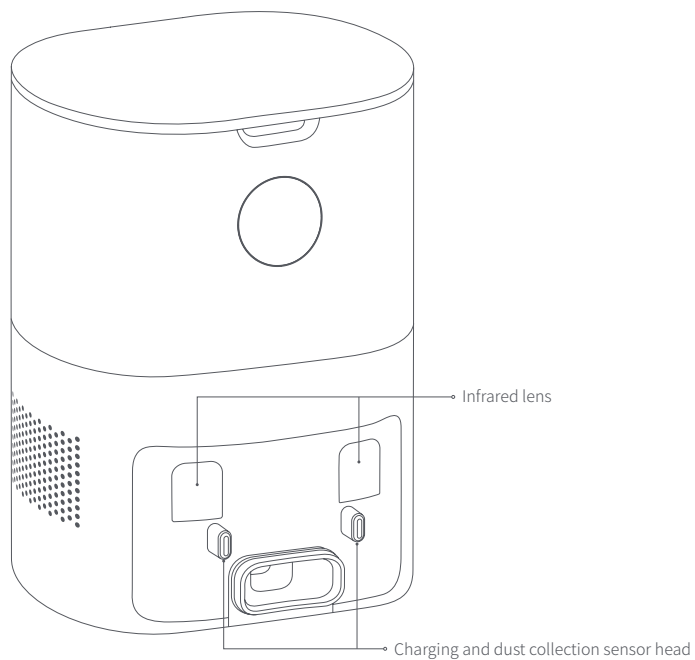
If the dust passage is blocked, refer to the figure below and remove the transparent cover of the dust passage with a screwdriver to remove foreign matters.

Note: violent disassembly is prohibited.
After cleaning, replace the cover as it is.



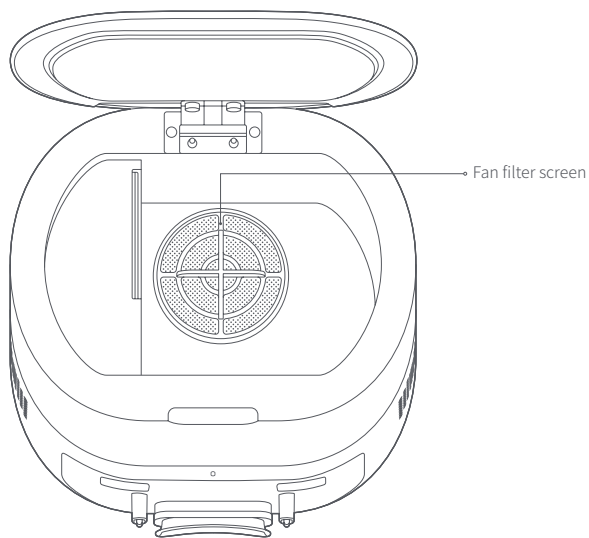
Clean the Infrared Lens/Charging and Dust Collection Sensor Head

Wipe them gently with a clean, soft, dry cloth. It is recommended to clean them once a month.



Clean the Filter Screen of the Fan

The filter screen of the fan is below the dust bag. If there is dust accumulation, wipe it gently with a clean, soft, dry cloth. It is recommended to clean them once a month.

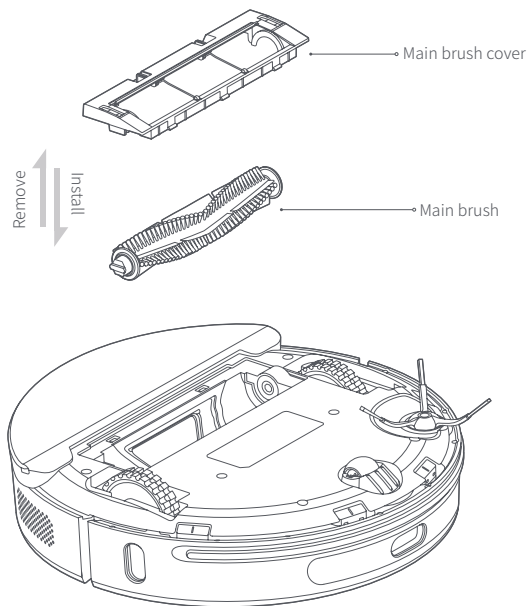


Clean the Main Brush

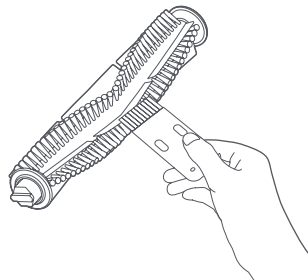
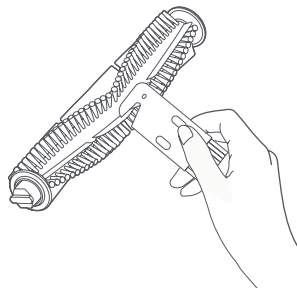
The main brush is consumable and should be cleaned at least once a week. It is recommended to replace the main brush every 6-12 months to ensure the cleaning effect.

- 1 Reverse the sweeping and mopping robot, press the snap on the main brush cover, and remove the main brush cover and the main brush.

Note: avoid hitting when reversing the robot to prevent damage to the lidar.



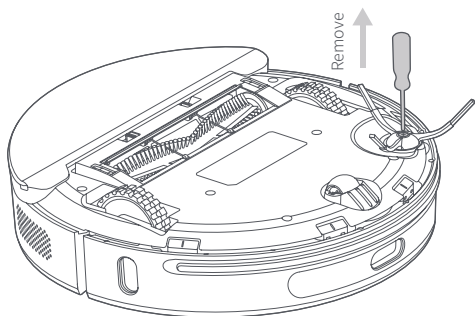
- 2 Cut off the hair wound on the main brush with the cleaning knife, and then clean the main brush with the cleaning brush at the other end of the cleaning knife.



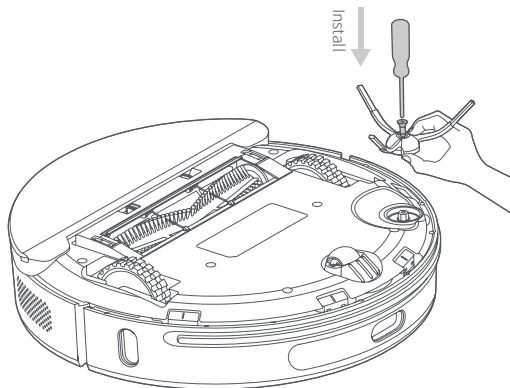
- 3 Replace the main brush and the main brush cover. Press and fasten the snap.

Clean/Replace the Side Brush

1 Remove the side brush with a screwdriver.



2 Replace the side brush after cleaning, or install a new side brush.



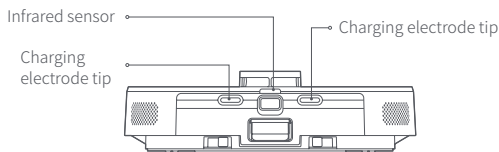
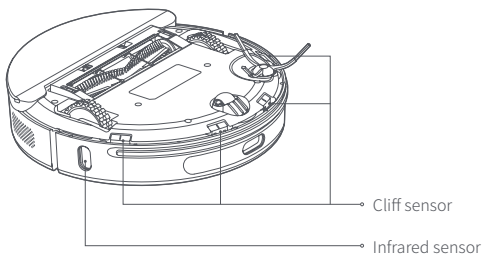
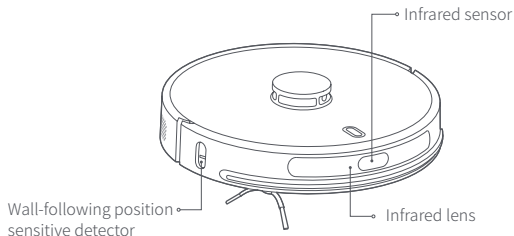
Tips: the side brush is consumable. It is recommended to replace it every 3-6 months to ensure the cleaning effect.

Clean the Sensors

It is recommended to use a clean, soft, dry cloth to wipe each sensor gently every week to ensure the normal use of the machine.

Sweeping and Mopping Robot:

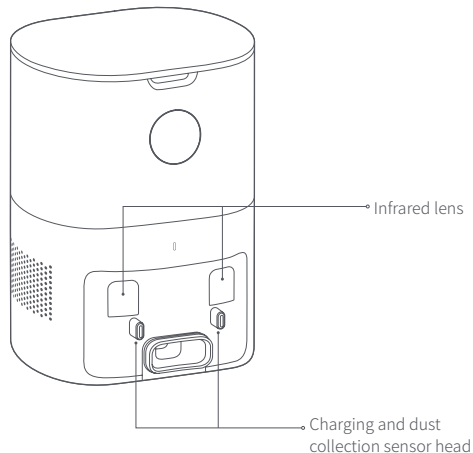
Cliff sensor × 4
Infrared sensor × 3
Charging electrode tip × 2
Wall-following position sensitive detector × 1
Infrared lens × 1



Dust Collection Charging Pile:

Infrared lens × 2

Charging and dust collection sensor head × 2

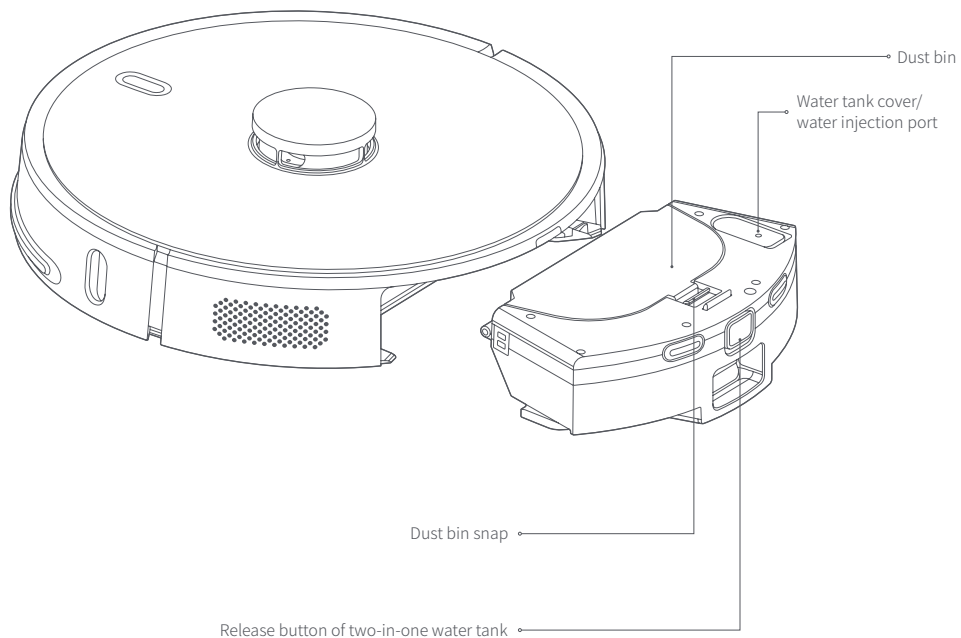


Battery Maintenance

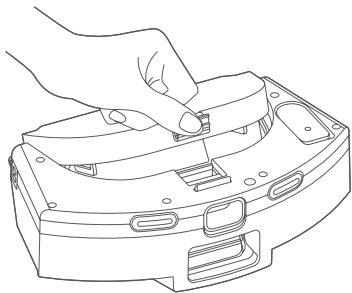
- The sweeping and mopping robot has a built-in high-performance rechargeable lithium-ion battery pack. In order to maintain battery performance, please keep the battery pack charged every day.
- If the machine will not be used for a long time, please turn it off and store properly. Charge it at least every three months to avoid battery damage due to over discharge.

Clean the Two-in-one Water Tank

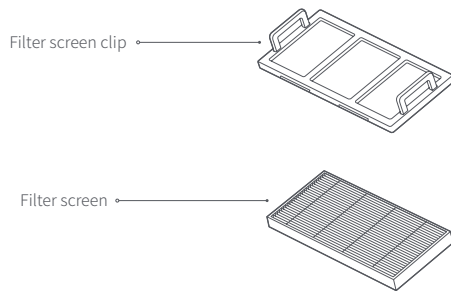
- 1 Press and hold the release button of the two-in-one water tank and at the same time pull it outwards.



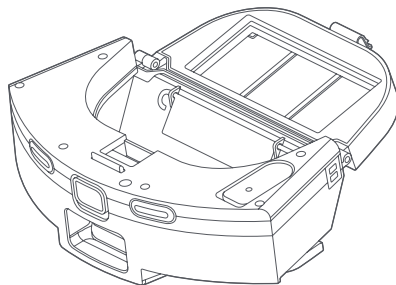
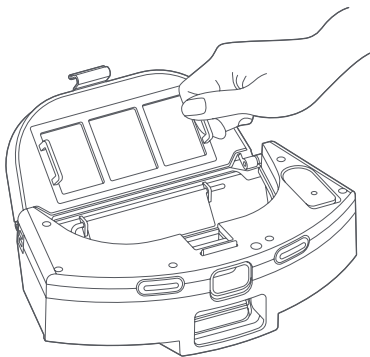
2 Open the dust bin by pressing the dust bin snap.



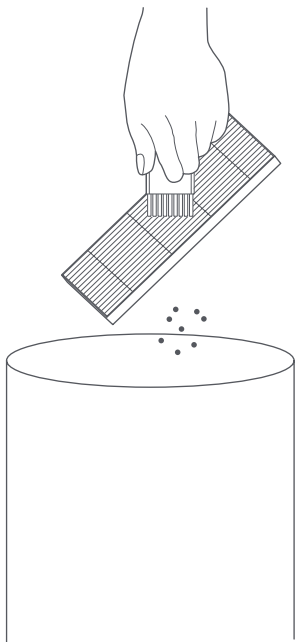
4 Take out the filter screen.



3 Remove the filter screen clip.

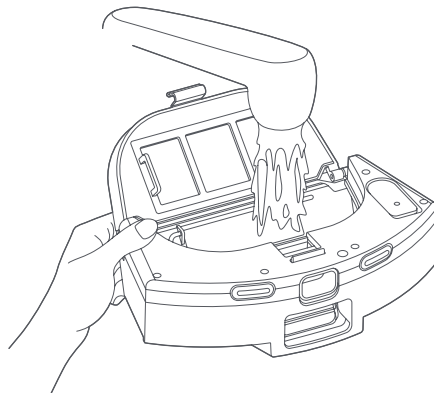


- 5 Remove the debris on the filter screen and screen clip with a cleaning brush.

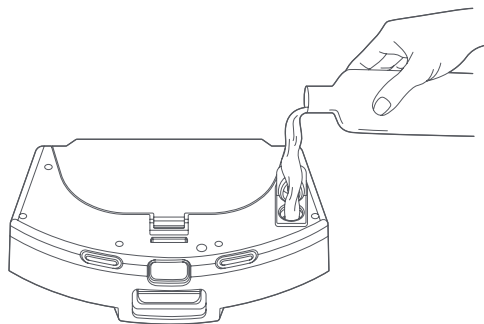


Tips: The filter screen is consumable. It is recommended to replace it every 3-6 weeks. Please make a purchase through the official channel.

- 6 Turn on the tap to clean the dust bin.



- 7 Open the water tank cover and inject an appropriate amount of water.



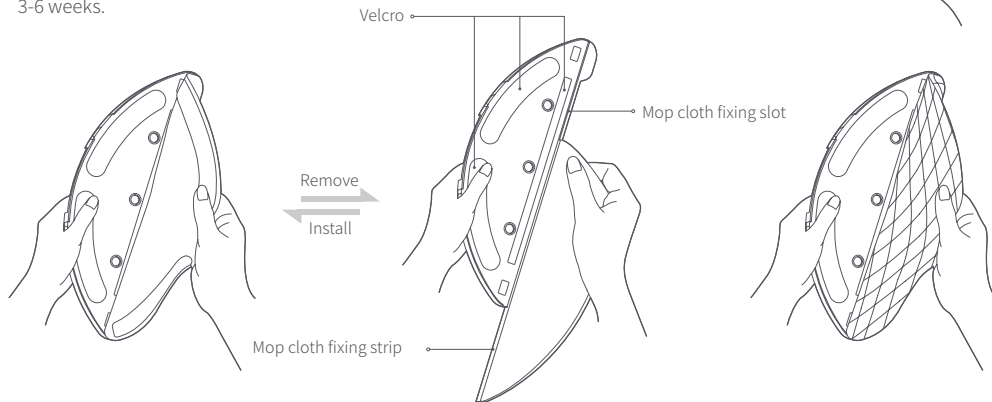
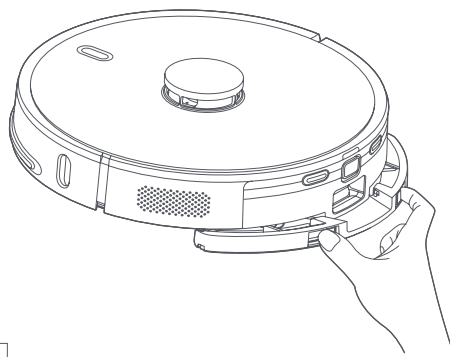
Tips: It is suggested to use pure water without any cleaning agent.

- 8 Press the mop cloth support snap, and at the same time pull the mop cloth support outwards, to remove the mop cloth or disposable mop cloth for replacement or cleaning.

Note: The disposable mop cloth can't be reused, but the mop cloth can be reused after cleaning.

Tips:

- If the mop cloth is too dirty, it will affect the mopping effect. Please clean it in time.
- Be sure to remove the mop cloth, clean and screw dry before replacing for use. Do not install it on the two-in-one water tank for cleaning, otherwise the filter element will be blocked if the dirty water is poured backward.
- The mop cloth is consumable and should be replaced every 3-6 weeks.



Remove the mop cloth: as shown in the figure, press and hold the two snaps of the mop cloth support, pull out the mop cloth support horizontally, and then tear off the Velcro to slide the mop cloth fixing strip out of the mop cloth fixing slot.

Install the mop cloth: as shown in the figure, put the mop cloth fixing strip in the mop cloth fixing slot, attach the mop cloth to the Velcro, and then push the mop cloth support horizontally to install it on the sweeping and mopping robot.

Remove/install the disposable mop cloth: after removing the mop cloth support, tear off the Velcro to remove the disposable mop cloth.

Attach the disposable mop cloth to the Velcro, and then replace the mop cloth support to complete the installation.

Power-off and restart/restore the factory settings

If the buttons do not respond or the machine cannot be turned off, press the reset button with a needle for 1 second to power off and restart the robot; press and hold for 3 seconds to restore the factory settings (see Page 9 for the button position).

Troubleshooting

When the machine runs abnormally, the power indicator will blink in red, and the machine will give a voice prompt when some faults occur. Please refer to the table below for a solution.

Voice prompt/fault phenomena	Possible causes	Solution
Please check if the radar is stuck	The lidar is blocked or stuck	Remove the obstacle or move the machine to an open place and restart it
Please check the anti-collision rail	The bump sensor is stuck	Clean up the foreign matters around the anti-collision rail, or move the machine away
Please wipe the cliff sensor and move away from the dangerous area to restart	The cliff sensor is triggered after the machine is started up	Please wipe the cliff sensor and move the machine to a flat and open place to start
Please check the main brush	The main brush is stuck	Clean the main brush, or move the machine away
Please check the side brush	The side brush is stuck	Clean the side brush, or move the machine away
Please check the main wheel	The main wheel is stuck	Clean the main wheel, or move the machine away
The two-in-one water tank is taken out	The two-in-one water tank has been taken out	Please replace the two-in-one water tank and the filter screen, and confirm that the filter screen and the two-in-one water tank are installed in place
Low battery, start recharging	Low battery during cleaning	Low battery. Please charge the robot before using
The fan is abnormal	The fan is abnormal	Please try to turn the machine off and then restart it
Please wipe the wall-following position sensitive detector on the right side	The wall-following position sensitive detector is abnormal	Please wipe and clean the wall-following position sensitive detector
The radar cover is pressed	The radar cover is stuck	The lidar is pressed or stuck. Please move it to another position to start
The battery is damaged or not installed	The battery has abnormality during charging	The battery temperature is too high or too low. Please wait for the battery temperature to return to be normal before use
The machine cannot be started up	Low battery level or abnormal ambient temperature	The battery level is low. Please charge it before use. The ambient temperature is too low (below 0 °C) or too high (above 50 °C). Please use the product in the environment of 0 °C ~ 40 °C

Voice prompt/fault phenomena	Possible causes	Solution
Cannot be charged	<ol style="list-style-type: none"> 1. The dust collection charging pile is not electrified 2. The charging electrode tip is dirty 3. The charging electrode tip has poor contact 	<ol style="list-style-type: none"> 1. Please confirm that the power cord of the dust collection charging pile is connected to the power supply 2. Regularly clean the charging electrode tip of the machine and the dust collection and charging sensor head of the dust collection charging pile 3. Please eliminate the poor contact caused by the side brush or other foreign matters, and try to reposition the machine manually
Recharging failed, dust collection charging pile not found	The dust collection charging pile is blocked or too far away; the dust collection charging pile is not connected to the power supply; there are foreign matters at the bottom of the mop cloth support or the mop cloth is rolled up	Please put the dust collection charging pile in the open area, and put the machine near the dust collection charging pile to retry; please connect the dust collection charging pile to the power supply; please clean up the bottom of the mop cloth support and tidy the mop cloth
Abnormal behavior	Program exception	Turnoff and restart
There are abnormal sounds during cleaning	Foreign matter wound on the main brush/side brush or the main wheel	Please turn off the machine for cleanup
The cleaning capacity is reduced or the dust drops	The dust bin is full or the filter screen is blocked or the main brush is entangled	Please clean the dust bin, the filter screen and the main brush in time
Regular cleaning does not work	Low battery	Regular cleaning can only be started when the remaining battery level is greater than 30%. Please keep the machine charged every day
Cannot be connected to APP	Abnormal Wi Fi network, wrong Wi Fi password or abnormal APP	Please ensure that the machine is in a good Wi Fi signal area; re-enter the Wi Fi password or reset Wi Fi; download and connect the latest version of APP
The floor mopping module outputs no water or little water	No enough water in the water tank, too dirty mop cloth or the mop cloth support not installed in place	Please check whether there is water in the water tank; clean the mop cloth; and install the mop cloth correctly according to the instructions
The floor mopping module outputs too much water	The water tank cover is not in place, and the water output is adjusted to the maximum	Please confirm that the water tank cover is installed in place, and adjust the appropriate amount of water in the APP
The dust collection performance degrades	Dust accumulates in the dust bag, causing the air flow into the suction nozzle to decrease.	Replace the dust bag
Cannot return to the dust collection charging pile after fixed-point cleaning or moving	The robot constructs a new map or the distance is too far	After fixed-point cleaning or moving for a long distance, the robot will generate a new map. If the dust collection charging pile is far away, the robot may not be able to recharge automatically. Please manually put the machine back to the dust collection charging pile for charging.

In case of abnormal operation of the dust collection charging pile, the indicator of the dust collection charging pile will flash brightly. The machine will give a voice prompt for faults. Please refer to the table below to try to solve problems.

Voice prompt/fault phenomena	Possible causes	Solution
Dust collection failed	The dust bag is missing or not installed in place The fan starts overheat protection or has faults	Please install the dust bag correctly, and try to collect dust again 30 minutes later; if it can't be solved, please contact after-sales customer service
The dust bag is full or blocked	The dust bag is full or blocked	Replace the dust bag, and clean the dust collection charging pile (suction inlet, dust passage, fan filter screen, etc.) in time