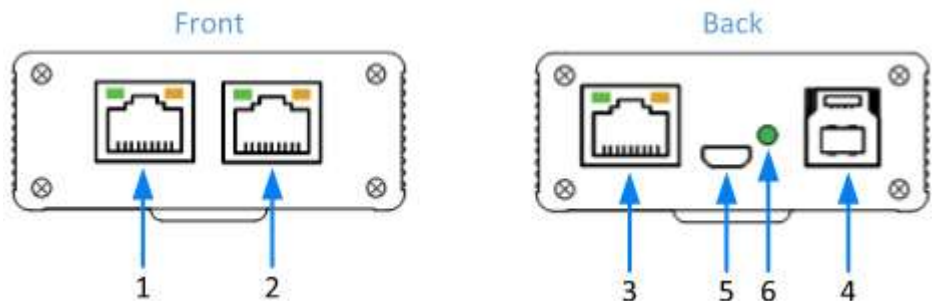


1. Device Description

LANProbe is a non-intrusive handheld or mountable inline device used to monitor Ethernet traffic on a gigabit network to help administrators identify issues or analyze network anomalies. It does this by “tapping” into between two devices using ports 1 & 2. It functions by way of port mirror on a switch. Then the network data passing through ports 1 & 2 is duplicated/mirrored to both ports 3 & 4 for analyses using a PC. Any open source analysis software on a PC may be used by an administrator to inspect the packets. The LANProbe offers the ability to bypass itself in case of power failure to allow devices A & B to continue communicating. This feature helps capture network data with minimized impact to the data being monitored.

- 1 - Port 1 (Ethernet)
- 2 - Port 2 (Ethernet)
- 3 - Port 3 (Ethernet)
- 4 - Port 4 (USB3.0)
- 5 - Port 5 (Power)
- 6 - Power Indicator



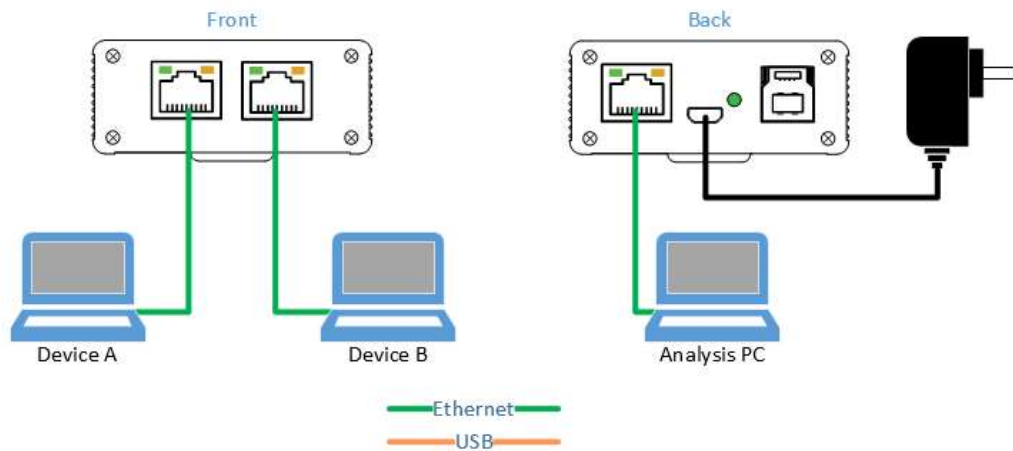
LED Indicators

GREEN	YELLOW	
OFF	OFF	No Link
OFF	ON	1G Link / No Activity
OFF	BLINKING	1G Link / Activity (RX, TX)
ON	OFF	100Mbps Link / No Activity
BLINKING	OFF	100Mbps Link / Activity (RX, TX)
ON	ON	10Mbps Link / No Activity
BLINKING	BLINKING	10Mbps Link / Activity (RX, TX)

2. Operating Instructions

2.1 Monitoring via Ethernet port

1. Connect ports 1 & 2 to Device A and Device B using shielded Ethernet cables.
2. Connect port 3 to an Analysis PC using a shielded Ethernet cable.
3. Power the device by using a micro-B USB cable and a 5V/1A wall charging unit plugged into port 5. The green power indicator will turn on.
4. On the analysis PC, start packet analysis software with the proper network interface and start monitoring traffic.



2.2 Monitoring via USB3.0 port

1. Connect ports 1 & 2 to Device A and Device B using shielded Ethernet cables.
2. Connect port 4 to an Analysis PC using a USB3.0 type-B cable.
3. The device will power itself from the Analysis PC using the USB3.0 port. The green power indicator will turn on.
4. On the analysis PC, start packet analysis software with the proper network interface and start monitoring traffic.

