

UNDERCOUNTER GLASSWASHERS
GX SERIES

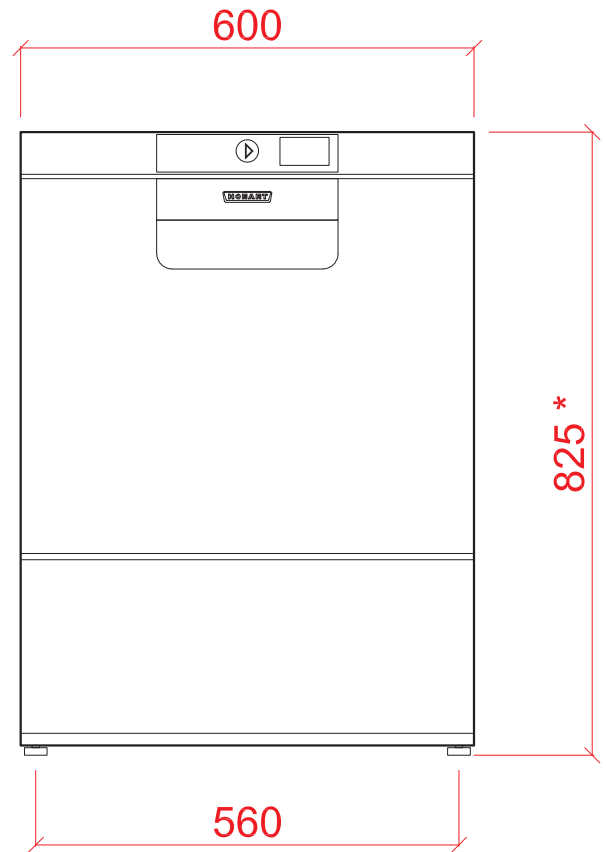
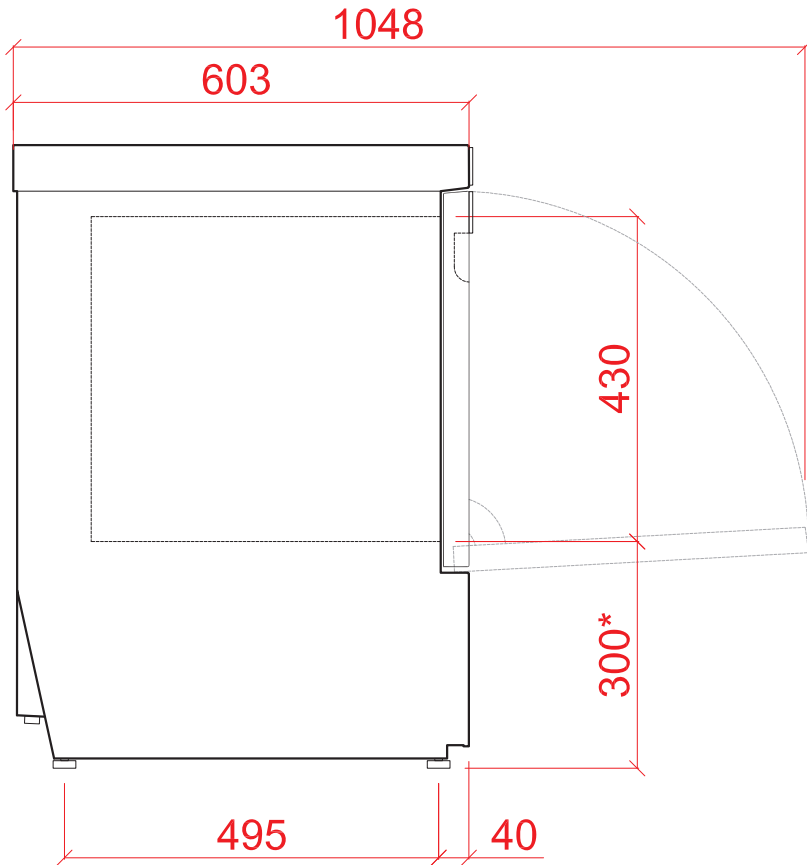
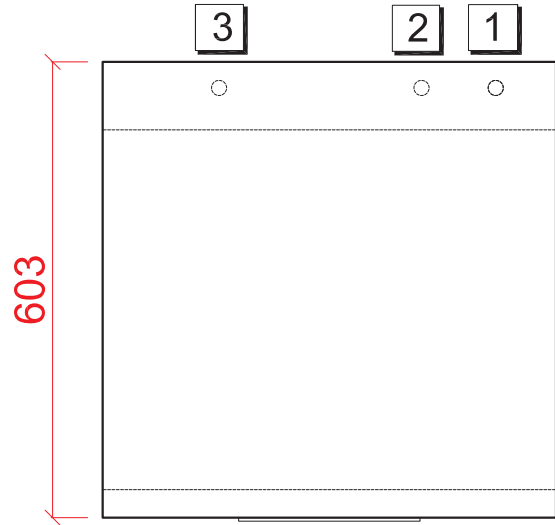


HOBART UK,
SOUTHGATE WAY,
ORTON SOUTHGATE,
PETERBOROUGH.
PE2 6GN
0844 888 7777

www.hobartuk.com

Undercounter Glasswasher with in-built Softener

GXSW-11B



<p>1 Water</p> <p>22mm CONNECTION VIA 2 METRE FLEXIBLE HOSE, FEMALE TERMINATION.</p> <p>WATER SUPPLY 10 TO 60°C (0° TO 3° CLARK MAX) @ 0.5 TO 6.0 BAR MAX. INITIAL TANK FILL 10.8 LITRES.</p> <p>RINSE WATER USAGE 2.0 LITRES PER CYCLE. MAX USAGE 120 LITRES PER HOUR.</p> <p>OUR MACHINES ARE SUPPLIED WITH CLASS 'AB' AIR GAP AS STANDARD.</p>	<p>2 Drain</p> <p>DRAIN - 2 METRE FLEXIBLE HOSE TO A 40mm TRAPPED STANDPIPE 600mm MAX A.F.F.L.</p> <p>FLOW RATE 30 LITRES PER MINUTE.</p> <p>Other Services</p> <p>RINSE AGENT HOSE - 2.5 METRE FLEXIBLE. DETERGENT HOSE - 2.5 METRE FLEXIBLE.</p>	<p>3 Electric</p> <p>6.8kW 400/50/3 + N + E FUSED AT 3 x16amps MACHINE SUPPLIED WITH 2.5 METRES OF CABLE (3 PHASE).</p> <p>CONFIGURABLE TO: 4.7kW 230/50/1 FUSED AT 25amps OR 2.7kW 230/50/1 FUSED AT 13amps</p> <p>Notes</p> <p>APPROX WEIGHTS: EMPTY: 65kg's WITH WATER: 87kg's Height * +40mm -0mm</p>
--	--	--

PLOT SCALE: 1:10

RIGHT TO MAKE NECESSARY CHANGES IS RESERVED