

# HOOD TYPE DISHWASHERS AM SERIES

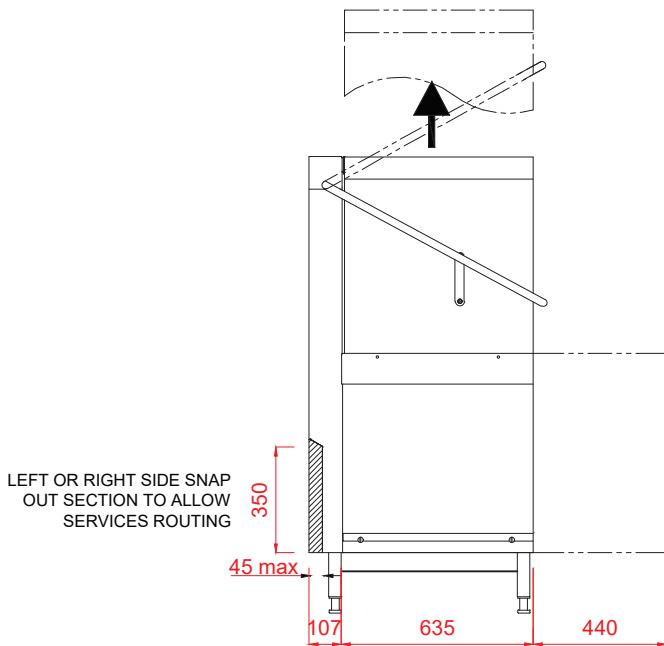
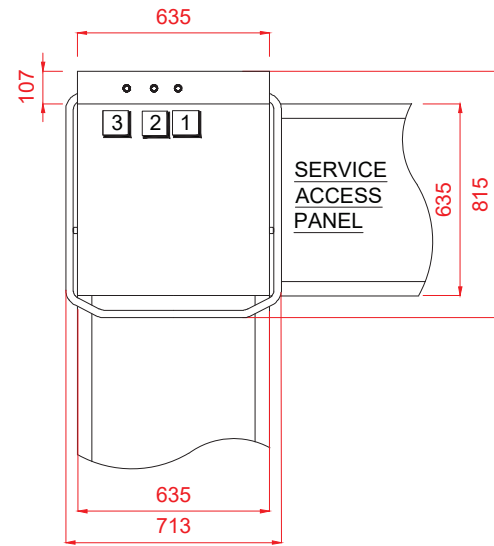


**HOBART UK,**  
SOUTHGATE WAY,  
ORTON SOUTHGATE,  
PETERBOROUGH.  
PE2 6GN  
0844 888 7777

www.hobartuk.com

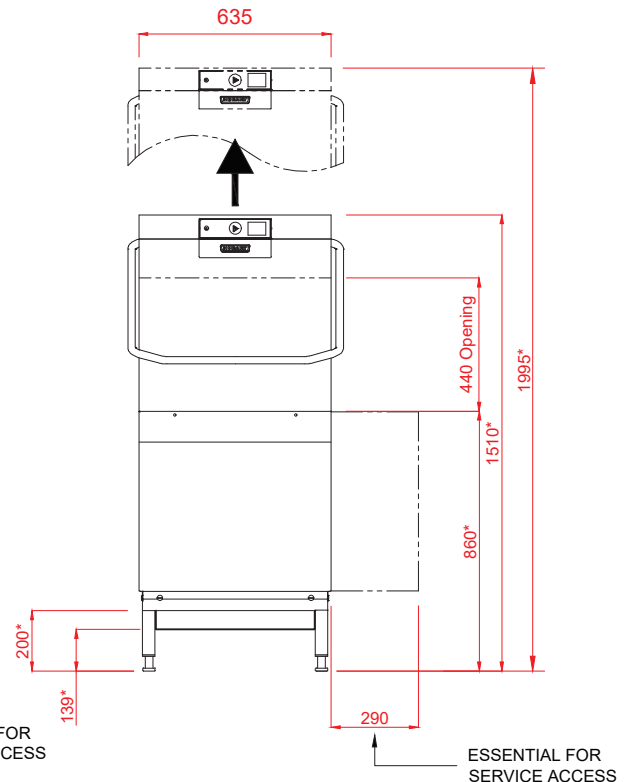
## Hood Type Dishwasher With Drain Heat Recovery Unit.

**AMXXRW-10B**



LEFT OR RIGHT SIDE SNAP  
OUT SECTION TO ALLOW  
SERVICES ROUTING

ESSENTIAL FOR  
SERVICE ACCESS



ESSENTIAL FOR  
SERVICE ACCESS

### 1 Water

22mm CONNECTION VIA 2 METRE FLEXIBLE HOSE,  
FEMALE TERMINATION.

WATER SUPPLY **MAX 15°C** (2° TO 8° CLARK MAX)  
@ 0.8 TO 10.0 BAR MAX. INITIAL TANK FILL 40 LITRES.

RINSE WATER USAGE 2.0 LITRES PER CYCLE.  
MAX USAGE 140 LITRES PER HOUR.

OUR MACHINES ARE SUPPLIED WITH CLASS 'AB' AIR  
GAP AS STANDARD.

### 2 Drain

DRAIN - 2 METRE FLEXIBLE HOSE TO A 40 mm  
TRAPPED STANDPIPE 500mm MAX A.F.F.L.

FLOW RATE 30 LITRES PER MINUTE.  
DRAIN RATE TYPICALLY 3 MINUTES.

### Other Services

RINSE AGENT HOSE - 2.5 METRE FLEXIBLE.  
DETERGENT HOSE - 2.5 METRE FLEXIBLE.

### 3 Electric

**7.6kW** 400/50/3 + N + E FUSED AT **16amps** / PHASE.  
MACHINE SUPPLIED WITH 2.5 METRES OF CABLE  
(3 PHASE).

### Notes

Approx Weights: EMPTY: 110kg WITH WATER: 130kg  
Min distance to Wall to Inside of tabling boxed edge 154.5mm.  
**HEIGHTS MARKED \* REPRESENT ±20mm.**

**PLOT SCALE: 1:25**

RIGHT TO MAKE NECESSARY CHANGES IS RESERVED