

HOOD TYPE DISHWASHERS AM SERIES

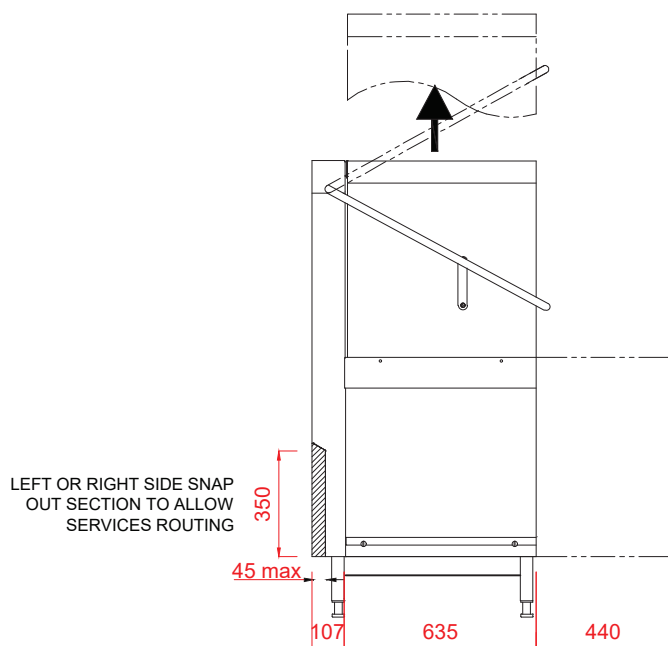
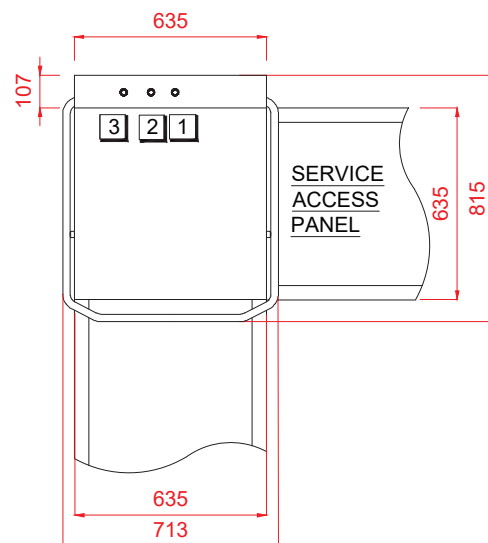


HOBART UK,
SOUTHGATE WAY,
ORTON SOUTHGATE,
PETERBOROUGH.
PE2 6GN
0844 888 7777

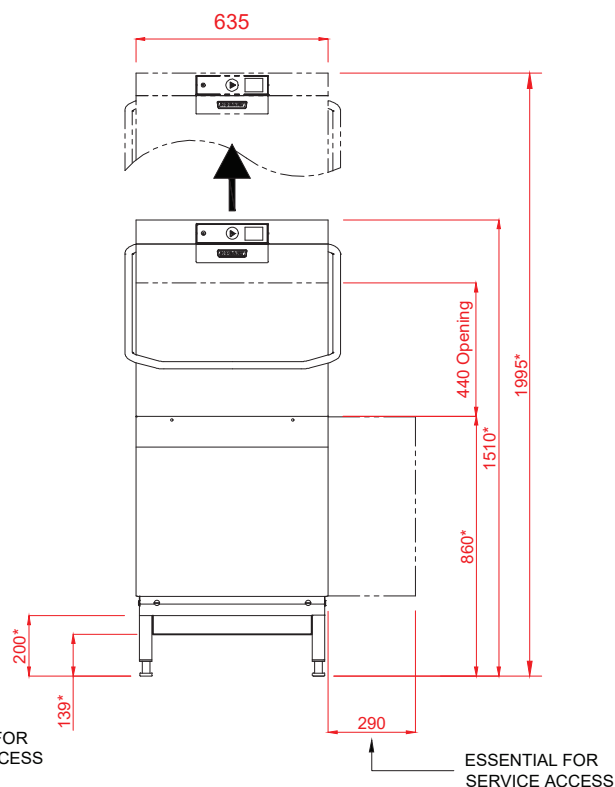
www.hobartuk.com

Hood Type Dishwasher With Drain Heat Recovery Unit and Inbuilt Softener

AMXXRSW-10B



LEFT OR RIGHT SIDE SNAP
OUT SECTION TO ALLOW
SERVICES ROUTING



ESSENTIAL FOR
SERVICE ACCESS

ESSENTIAL FOR
SERVICE ACCESS

1 Water

22mm CONNECTION VIA 2 METRE FLEXIBLE HOSE,
FEMALE TERMINATION.

WATER SUPPLY **MAX 15°C** (2° TO 8° CLARK MAX)
@ 0.8 TO 10.0 BAR MAX. INITIAL TANK FILL 40 LITRES.

RINSE WATER USAGE 2.0 LITRES PER CYCLE.
MAX USAGE 140 LITRES PER HOUR.

OUR MACHINES ARE SUPPLIED WITH CLASS 'AB' AIR
GAP AS STANDARD.

2 Drain

DRAIN - 2 METRE FLEXIBLE HOSE TO A 40 mm
TRAPPED STANDPIPE 500mm MAX A.F.F.L.

FLOW RATE 30 LITRES PER MINUTE.
DRAIN RATE TYPICALLY 3 MINUTES.

Other Services

RINSE AGENT HOSE - 2.5 METRE FLEXIBLE.
DETERGENT HOSE - 2.5 METRE FLEXIBLE.

3 Electric

7.6kW 400/50/3 + N + E FUSED AT **16amps** / PHASE.
MACHINE SUPPLIED WITH 2.5 METRES OF CABLE
(3 PHASE).

Notes

Approx Weights: EMPTY: 110kg WITH WATER: 130kg
Min distance to Wall to Inside of tabling boxed edge 154.5mm.
HEIGHTS MARKED * REPRESENT ±20mm.

PLOT SCALE: 1:25

RIGHT TO MAKE NECESSARY CHANGES IS RESERVED