

**HOBART**

**WAREWASHING**  
DISHWASHER care



THE **HOBART** LINE  
**care**

The dishwasher designed specifically for use in care facilities and childcare centres.



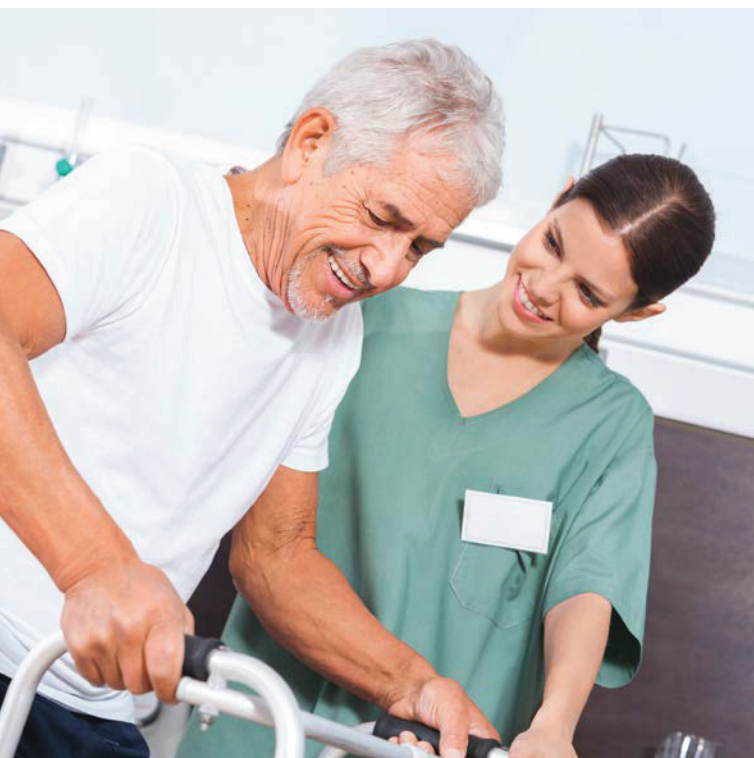
**HOBART**

# YOU NEED TO HAVE A VISION TO OFFER THE OPTIMUM SOLUTION!

## **HOBART HAS A VISION: WASH WITHOUT WATER.**

Our dishwashers are coming increasingly close to this vision. For us, innovation goes beyond technological improvements: It is our aim to think differently and to see innovation as enrichment. All of this is in pursuit of one goal: Offering you the best professional dishwasher.

Warewashing is subject to special requirements in the care and childcare sectors. So why would you be content to use a household dishwasher?



### **HOBART care.**

**The name says it all - and defines our obligation.**

When developing the **care** dishwasher, our experts carefully observed people working in the sector, to understand what is really needed there.

Our new dishwasher generation combines the know-how of the global market leader for commercial warewashing, and the knowledge of the specific demands that nurses and housekeeping staff of care facilities, and also care facility residents and children in childcare centres, have for their dishwasher.

**We take care!**





# THE HOBART LINE care

The dishwasher designed specifically for use in care facilities and childcare centres.

## HOBART CARE: THE PROFESSIONAL AMONG DISHWASHERS

HOBART has been developing dishwashers for more than 100 years – unparalleled by any other manufacturer. The experience which makes us so successful has also been implemented in the HOBART care.

The result: **Hygienic cleanliness at a washing temperature of 85°C** – in three minutes flat. There is no faster dishwasher. And if necessary, the wash ware can be **thermally disinfected** with 100°C steam.

The drying of the wash ware is done by the machine, as well.

As easy to operate as a household dishwasher, the HOBART care offers the benefits of a professional HOBART dishwasher:

- Short washing times
- High-quality finish
- Sturdy design
- Very easy to operate
- Consumption of water, energy and detergents reduced considerably
- Perfect drying result thanks to the integrated TOP-DRY drying
- Reduces steam escape to a minimum



### Economical and intelligent.

The dishwasher that gives the staff a little more time for patients and residents.

**HOBART**



## MAY WE PRESENT THE FASTEST DISHWASHER FOR THE CARE AND CHILDCARE SECTORS

In residential groups, household and semi-professional dishwashers are in constant use. Breakfast, lunch and dinner dishes pile up.

The HOBART **care** puts an end to the mountain of dirty dishes: In only 3 minutes, it washes more crockery than most household dishwashers in 60 minutes – and can go through more than 80 racks per day if required.

**You don't want to wait – you want hygienically clean wash ware now.**

Whether you want to wash plates, cutlery, glasses or coffee cups: In terms of speed, versatility and power, your new **care** dishwasher tops all the machines you've used before.





## QUALITY YOU'LL FEEL AND EXPERIENCE

A service technician who arrives on site fast is good. But it is even better if you don't need to call him in at all.

**Reliability** is the key to smooth working processes. The provision of reliable equipment is our claim. For this reason, the HOBART **care** uses only tried and tested, professional technology which is able to reliably cope with maximum loads – such as our powerful heating elements and pumps designed for daily heavy-duty work in the hotel and restaurant industries.

We don't talk much about quality made in Germany.  
**We just make it.**

You can feel it at first touch:  
Smooth surfaces, no sharp edges.

You can feel it when opening the dishwasher door: It operates smoothly just like the drawers in your kitchen cabinets. The integrated soft-close gas pressure dampers gently cushion the door action.



## PROFESSIONAL DISHWASHER FOR SOCIAL FACILITIES

# PREMIUM HYGIENE

## NO COMPROMISE – AND CERTAINLY NOT IN TERMS OF HYGIENE

A communal kitchen in assisted-living areas promotes communication and cooperation. But hygiene plays an especially important role here. You should not accept any compromises when it comes to hygiene.



### The temperature is the decisive factor.

To reliably give you perfectly hygienic wash results, we use much higher temperatures than in a household dishwasher:

- Washing at 65°C
- Rinsing with 85°C hot fresh water
- Thermal disinfection with 100°C steam

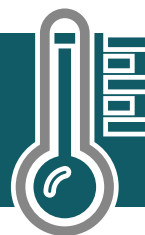
The HOBART **care** dishwasher can do this. Household and semi-professional dishwashers can't.

### HYGIENE AS A COHERENT CONCEPT

Hygiene is more than just steam. For the HOBART **care**, we developed a unique hygiene concept:

- Thermal disinfection (A<sub>0</sub> value of 60 based on EN ISO 15883)
- The interlocked strainer prevents the entry of soil into the tank
- Hygiene programme with tab for self-cleaning
- Integrated data documentation compliant to DIN SPEC 10534
- Easy to clean stainless steel surfaces without protruding buttons

In your field of work,  
hygiene is of premium  
importance.







## **THERMAL DISINFECTION: WE PUT PRESSURE ON STUBBORN RESIDUES.**

To ensure that the wash ware is hygienically clean, we put pressure on stubborn residues. In compliance with the most demanding requirements, the HOBART **care** cleans with an  $A_0$  value of 60 (based on EN ISO 15883).

How? By means of 100°C steam, patented technology, and extended steam to washware contact time. With the **care** line, you can thermally disinfect wash ware in only 10 minutes.

## **YOUR DISHWASHER KEEPS THE LOG FOR YOU**

Keeping up with the **HACCP documentation** for a logbook compliant to **DIN SPEC 10534** can be time consuming. But the **care** machine does this for you, providing seamless documentation for all of the relevant operating and hygiene parameters.

The data can be downloaded via **USB interface** – and that's it. We look after the documentation so that you have more time for patients and residents.

## **HAVE FULL TRUST IN YOUR NEW DISHWASHER**

To make sure that strainers and filters are always in place and in their correct position, the control monitors the placement of these components. A display message gives the user the respective information.

The strainer prevents the entry of soil into the wash water and guarantees a perfectly hygienic wash result.



**Only our professional dishwasher can do this.**

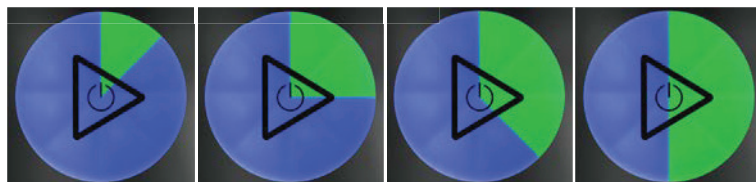
You need to press  
one button only to start it up.

## AT THE PUSH OF A BUTTON

Residents, nursing and housekeeping staff: Many different people use the dishwasher in the assisted-living area. So the operation must be easy for everybody.

With the VISIOTRONIC-TOUCH control, the operation of the HOBART **care** is particularly easy and intuitive. The display shows all the important information in the form of texts and icons.

The characteristic start button of the HOBART **care** is always highly visible. The remaining time indicator shows the progress of the wash programme by means of a colour bar.



## THE DISHWASHER PROTECTS YOUR VALUABLE WOODEN KITCHEN CABINETS!

**STEAM IS GREAT, BUT ONLY IN THE RIGHT PLACE**

**Wash without water? Yes, thanks to steam – but only inside the machine**



The standard **VAPOSTOP<sup>2</sup>** prevents the exit of steam when opening the dishwasher door, protecting the beauty of your wooden kitchen cabinets. The standard vapour seal kit prevents moisture from accumulating on your wooden cabinets.

The moisture level is greatly reduced so that the room climate is significantly improved.





## SAFE DETERGENT DOSING JUST LIKE FOR A HOUSEHOLD DISHWASHER – WITH THE PERFORMANCE OF A PROFESSIONAL MACHINE!

Use the dosing type best suited to your needs:

- with liquid cleaner and rinse aid, either
  - \* in integrated tanks, or
  - \* in external cans



Who is responsible for the kitchen, is there a safe storage place for the detergent, what is the space available? You know best which is the optimum dosing solution for your kitchen. No matter which HYLINE detergent system you'll opt for: the HOBART **care** will give you sparkling surfaces and hygienically clean wash results.

For use in social facilities, we developed a special recipe: **Odourless, chlorine-free**, but **highly efficient** in removing stubborn coffee and tea residues.

**HOBART detergent products: HYLINE**  
**Hygienically clean and odourless**

The integrated detergent and liquid rinse aid tank is the best solution when safe storage and dosing and easy refilling is of special importance for you.

**The best thing about it:** One single litre of HYLINE detergent is enough to wash up to 110 machine loads.

The space-saving, **integrated tanks** are hidden invisibly behind the front cover.



But if your dishwasher will be in heavy use all day long and if your kitchen has enough room for a larger separate container, we have the solution for this situation as well.

## EASY & SAFE OPERATION



# THE OPTIMISATION OF YOUR OPERATING COSTS COMES AUTOMATICALLY WITH THE CLEVER DESIGN

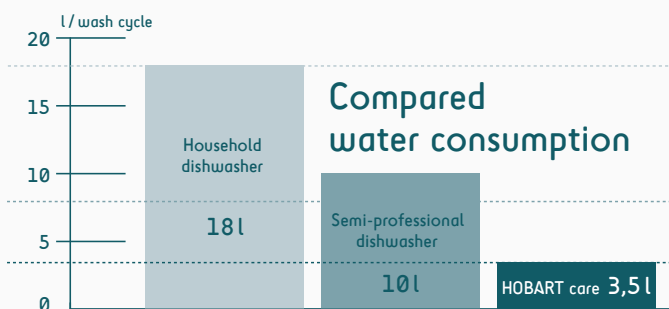
## THIS EXPENSE WILL PAY OFF

Care facilities live on a tight budget. To help with this the HOBART care will automatically optimise your operating costs.

From the first day, save up to 70 % on costs for energy, detergent and water, compared to a comparable semi-professional dishwasher. We use professional technology for washing and drying to achieve these savings.

A state-of-the-art household dishwasher, for example, uses up to 18 litres of water for one wash cycle, semi-professional machines use 10 litres, but the HOBART **care** uses just 3.5 litres.

## This pays off for you.



## PATENTED SAVING

### Hygienically clean wash result in spite of reduced water consumption?

#### This is not a contradiction!

With its strainer insert, the patented GENIUS-X<sup>2</sup> fine filter system not only protects the wash pumps from damage due to broken glass or china but also permanently filters the water during the washing process. The soil particles are pumped off and removed from the machine during the washing process.

For this reason, there is no need to replace the entire wash water each time the HOBART **care** has completed a wash cycle. This not only reduces the consumption of water but primarily of detergent and electricity for heating.

If required, the water exchange programme can be selected at the push of a button.





## HOBART WASHSMART APP

### Key features at a glance

The new HOBART WASHSMART app provides you with a comprehensive overview of the status of your dishwasher free of charge for 5 years. Among other features, the app informs you well in advance of maintenance deadlines and indicates the current operating costs and chemical consumption.

### Connect, learn, benefit

Based on this data, you can avoid downtime, re-order consumables directly via the app, and contact HOBART customer service or an approved service partner. WASHSMART also provides illustrated instructions for minor faults so that you can solve them yourself.

### An overview of all functions

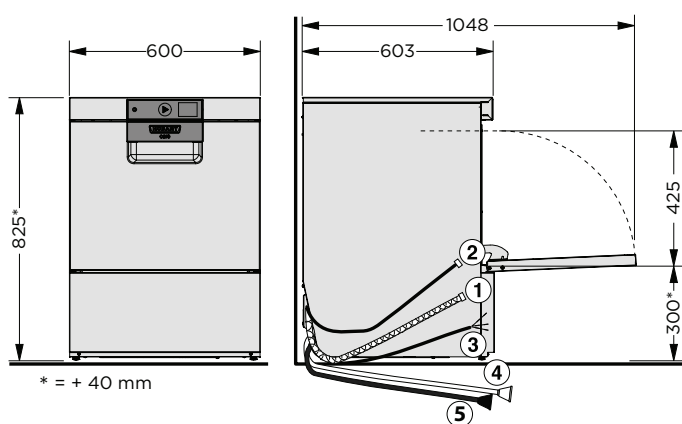
- Machine status (keep up-to-date regarding the statuses of all your machines)
- Fault messages (push messages inform you of any system errors)
- Operating cost calculator (cost overview of water, detergent and power consumption)
- Information on hygiene (indication and easy download of a hygiene report)
- Ordering consumables (easy ordering of consumables)
- Usage (information about the efficient use of the machine)

You can find more information about the availability of WASHSMART in different countries and languages at [www.washsmart.info](http://www.washsmart.info)

**WASHSMART**  
**HOBART 4.0**

# FACTS & FIGURES FOR THE CARE MODEL

## DRAWING



### CONNECTIONS

① Drain hose	2,000 mm   ID20/AD25
② Water supply hose	2,000 mm   R3/4"
Flow pressure	0.8 – 10 bar
Max. supply temperature	60°C
Water throughput required	5 l/min
③ Connection cable	2,000 mm
Suction hose for	
④ Liquid detergent <sup>a)</sup>	2,500 mm
⑤ Liquid rinse aid <sup>a)</sup>	2,500 mm

<sup>a)</sup> for machines with external containers

TECHNICAL DATA	careS-10B
<b>DIMENSIONS</b> (height/width/depth)	825/600/603 mm
<b>RACK CAPACITY</b>	40 racks/h
<b>MAX. PLATE DIAMETER</b> with double rack system	270 mm
<b>CYCLE TIMES</b> in min.**	3/9/10*/12
<b>WATER CONSUMPTION</b> in l per cycle	3.5/3.5/3.5*/17.5
<b>SOFTENER</b>	integrated, to max. 30°dH
<b>WASH PUMP</b>	0.5 kW (350 l/min)
<b>TANK HEATING</b>	1.7 kW
<b>BOOSTER LOADING</b>	400V: 6.2 kW 230V: 2.1 kW
<b>TOTAL LOADING</b>	400V: 6.8 kW   3 x 16 A 230V: 3.3 kW   16 A
<b>TANK CAPACITY</b>	10.6 l
<b>POWER SUPPLY</b>	400/50/3N (230/50/1)
<b>RACK SIZE</b>	500 x 500 mm
<b>LOADING HEIGHT</b>	425 mm
<b>WEIGHT GROSS/NET</b>	70/60 kg
<b>NOISE LEVEL</b>	57.7 dB (A)

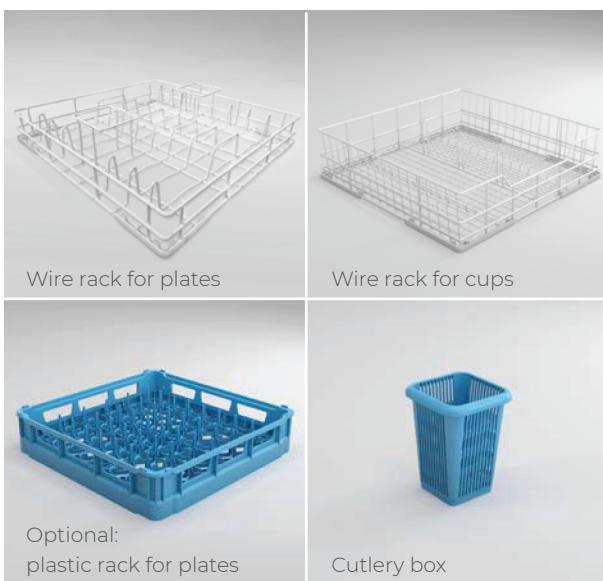
\* Thermal disinfection programme

\*\* The machine is equipped with an automatic cycle-time control which ensures hygienic rinse temperatures even on a cold-water supply or with reduced heating performance.

WASH PROGRAMMES	Short	Standard	Thermal disinfection	Intensive
<b>DURATION</b>	03:00 min	09:00 min	10:00 min	12:00 min
<b>WATER CONSUMPTION</b>	3.5 litres	3.5 litres	3.5 litres	17.5 litres
<b>WASH SYSTEM</b>	Fresh water	Fresh water	Fresh water	Water exchange
<b>NUMBER OF RACKS</b>	1/2	1/2	1/2	1/2
<b>SOILING</b>	light	heavy	normal	heavy



ACCESSORIES
<b>INCLUDED</b>
<b>Rack set:</b> wire rack for plates, wire rack for cups, rack carrier, 2 x cutlery box
<b>OPTIONAL</b>
<b>Installation kit</b> for integrated <b>chemical containers</b>
<b>Liquid detergent</b> , 12 kg container (minimum order volume 4 containers)
<b>Liquid rinse aid</b> , 10 l container (minimum order volume 4 containers)
<b>2 suction lances</b> with fill level indication for external detergent and rinse aid containers (for containers up to 10 l / 12 kg or with limited height)
<b>Hygiene tab INTENSIVE</b> 1 box of 15 tabs, for use in combination with the hygiene programme (minimum order volume 2 boxes)
<b>Regeneration salt</b> (coarse-grained), 1 box of 6 x 2 kg, for an easy regeneration of an integrated water softener (minimum order quantity: 4 boxes)
<b>Basic cleaning detergent</b> , 4 boxes of 2 kg, for removal of stubborn deposits on wash ware
<b>Installation chemical container</b> incl. refill signal for detergent
<b>HOBART rack programme</b> 500 x 500 fits into the care machine



FEATURES	careS-10B
<b>HIGH LEVEL OF ECONOMY</b>	
2IN1 double rack system for slightly soiled wash ware	●
GENIUS-X <sup>2</sup> fine filter system	●
Integrated rinse pump	●
<b>BEST WASH RESULT</b>	
TOP-DRY drying	●
Water exchange function	●
Interlocked strainer	●
<b>EASY HANDLING</b>	
VISIOTRONIC-TOUCH control	●
Remaining time indicator	●
VAPOSTOP <sup>2</sup> for avoiding the exit of steam	●
Integrated WiFi module*	●
WASHSMART app**	●
Hygiene programme for machine cleaning	●
CLIP-IN wash and rinse arms	●
Integrated water softener	●
SOFT-START wash pump	●
Integrated chemical containers for detergent and liquid rinse aid	○
Refill signal	○
USB interface for automatic data documentation	●
<b>RELIABILITY &amp; FLEXIBILITY</b>	
Vapour protection kit for protection of wooden furniture	●
Smooth counterbalanced door	●
Drain pump	●
Multi-phasing (230/400 V)	●
Quality made in Germany	●

- Inclusive
- Optional



Liquid detergent    Liquid rinse aid

\* You can find more information about the availability of WASHSMART in different countries and languages at [www.washsmart.info](http://www.washsmart.info)

\*\*Free use for 5 years



## OUR VISION

Wash without water

Intensive market research has shown that our customers expect warewashing technology that combines efficiency with optimal performance. We are focused on meeting these demands, and they form the foundation for our vision to "wash without water". This vision is our continuous incentive to break new ground in order to constantly reduce the consumption of water, energy and chemicals. We continue pursuing this goal methodically and with the most innovative engineering. Indeed, we already know that:

» When the first machine is finally capable of washing without water, it will be a HOBART. «

## THE COMPANY

We are HOBART

HOBART is the world market leader for commercial warewashing and a well known manufacturer of cooking, food preparation, and waste technology. Established in 1897 in Troy, Ohio, today HOBART employs more than 6,900 employees around the world. At the HOBART manufacturing plant in Offenburg, Germany, we develop, produce, and distribute warewashing technology worldwide. Gastronomy and the hotel industry, foodservice, bakeries and meat production facilities, supermarkets, airlines, cruise ships, automotive suppliers, research centres and pharmaceutical companies all over the world swear by our innovative products, which are considered to be economical and ecological market leaders.





## MADE IN GERMANY

We provide this promise of quality to our customers, and it represents our personal standard upheld by all our staff at HOBART.



## OUR FOCUS

Innovative – economical – ecological

This is our philosophy. To us, innovation means continuously setting new standards in technology, combined with real added value for the customer. Our group's Technological Centre, and our own Innovation Centre for Warewashing Technology at our headquarters in Germany, make this possible. Here, our innovative powers are combined to create highly efficient products which continuously confirm our status as a technological leader. To be economical means to set standards in terms of the lowest operating costs and minimal use of resources, and to revolutionise the market continuously. To be ecological means responsible handling of resources and a sustainable energy policy. This applies not only to the product in use, but in general to all areas of the organisation, such as purchasing or production.

## HOBART

Competent – fast – reliable

HOBART service technicians and HOBART service partners are the "real" experts. Thanks to intensive training and many years of experience, they have a unique and profound knowledge of the products. This means that maintenance and repair work is always carried out professionally, fast and reliably.



# HOBART

## DEUTSCHLAND/ÖSTERREICH

### HOBART GMBH

Robert-Bosch-Straße 17 | 77656 Offenburg  
Tel.: +49 781 600-0 | Fax: +49 781 600-2319  
info@hobart.de | www.hobart.de  
www.hobart-care.de



Werkskundendienst +49 180 345 6258  
für Österreich +43 820 240 599

Zentraler Verkauf +49 180 300 0068

## SCHWEIZ

### GEHRIG GROUP AG

Bäulerwisenstrasse 1 | 8152 Glattbrugg  
Tel.: +41 43 211 56-56  
Fax: +41 43 211 56-99  
info@gehriggroup.ch  
www.gehriggroup.ch

## FRANCE

### COMPAGNIE HOBART

ZI PARIS EST - Allée du 1er Mai - B.P. 68  
77312 MARNE LA VALLEE Cedex 2  
Téléphone: +33 1 64 11 60 00  
Fax: +33 1 64 11 60 01  
contact@hobart.fr  
www.hobart.fr

## UNITED KINGDOM

### HOBART UK

Southgate Way | Orton Southgate  
Peterborough | PE2 6GN  
Phone: +44 844 888 7777  
customer.support@hobartuk.com  
www.hobartuk.com

## BELGIUM

### HOBART FOSTER BELGIUM

Industriestraat 6 | 1910 Kampenhout  
Phone: +32 16 60 60 40  
Fax: +32 16 60 59 88  
sales@hobart.be  
www.hobart.be

## NEDERLAND

### HOBART NEDERLAND B.V.

Poppmolenlaan 12 | 3447GK Woerden  
Tel.: +31 348 46 26 26  
Fax: +31 348 43 01 17  
info@hobart.nl  
www.hobart.nl

## NORGE

### HOBART NORGE

Gamle Drammensvei 120 A | 1363 HØVIK  
Tel.: +47 67 10 98 00  
Fax: +47 67 10 98 01  
post@hobart.no  
www.hobart.no

## SVERIGE

### HOBART SCANDINAVIA APS

Varuvägen 9 | 125 30 Älvsjö  
Tel.: +46 8 584 50 920  
info@hobart.se  
www.hobart.se

## DANMARK

### HOBART SCANDINAVIA APS

Håndværkerbyen 27 | 2670 Greve  
Tel.: +45 43 90 50 12  
Fax: +45 43 90 50 02  
post@hobart.dk  
www.hobart.dk

## AUSTRALIA

### HOBART FOOD EQUIPMENT

Unit 1/2 Picken Street | Silverwater NSW | 2128  
Tel.: +61 2 9714 0200  
Fax: +61 2 9714 0242  
www.hobartfood.com.au

## KOREA

### HOBART KOREA LLC

7th Floor | Woonsan Bldg | 108 | Bangi-dong  
Songpa-gu | Seoul 138-050  
Phone: +82 2 34 43 69 01  
Fax: +82 2 34 43 69 05  
contact@hobart.co.kr  
www.hobart.co.kr

## JAPAN

### HOBART (JAPAN) K.K.

Suzunaka Building Omori  
6-16-16 Minami-Oi | Shinagawa-ku | Tokyo 140-0013  
Phone: +81 3 5767 8670  
Fax: +81 3 5767 8675  
info@hobart.co.jp  
www.hobart.co.jp

## SINGAPORE

### HOBART INTERNATIONAL (S) PTE LTD

158 | Kallang Way | #06-03/05  
Singapore 349245  
Phone: +65 6846 7117  
Fax: +65 6846 0991  
enquiry@hobart.com.sg  
www.hobart.com.sg

## THAILAND

### HOBART (THAILAND)

43 Thai CC Tower Building | 31st FL  
Room No. 310-311 | South Sathorn Rd.  
Yannawa | Sathorn | Bangkok | 10120  
Phone: +66 2 675 6279 81 | Fax: +66 2 675 6282  
enquiry@hobartthailand.com | www.hobartthailand.com

## OTHER COUNTRIES

### HOBART GMBH

Robert-Bosch-Straße 17 | 77656 Offenburg | Germany  
Phone: +49 781 600-2820  
Fax: +49 781 600-2819  
info-export@hobart.de  
www.hobart-export.com

Die Angaben in diesem Prospekt beruhen auf dem Stand 10/2020. Technische Änderungen oder Änderungen der Ausführung bleiben vorbehalten.

The details given in this brochure are correct as of 10/2020. We reserve the right to technical or design modifications.

Document non contractuel. Les indications de ce prospectus sont conformes à la mise à jour de 10/2020. Nous nous réservons le droit de modifier les données ou les configurations techniques de nos machines.

