

# ECOMAX PLUS SERIES

UNDERCOUNTER

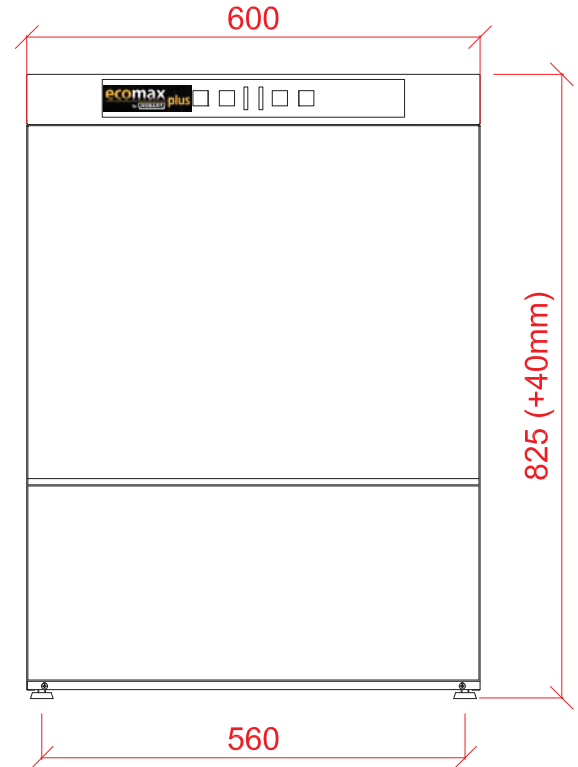
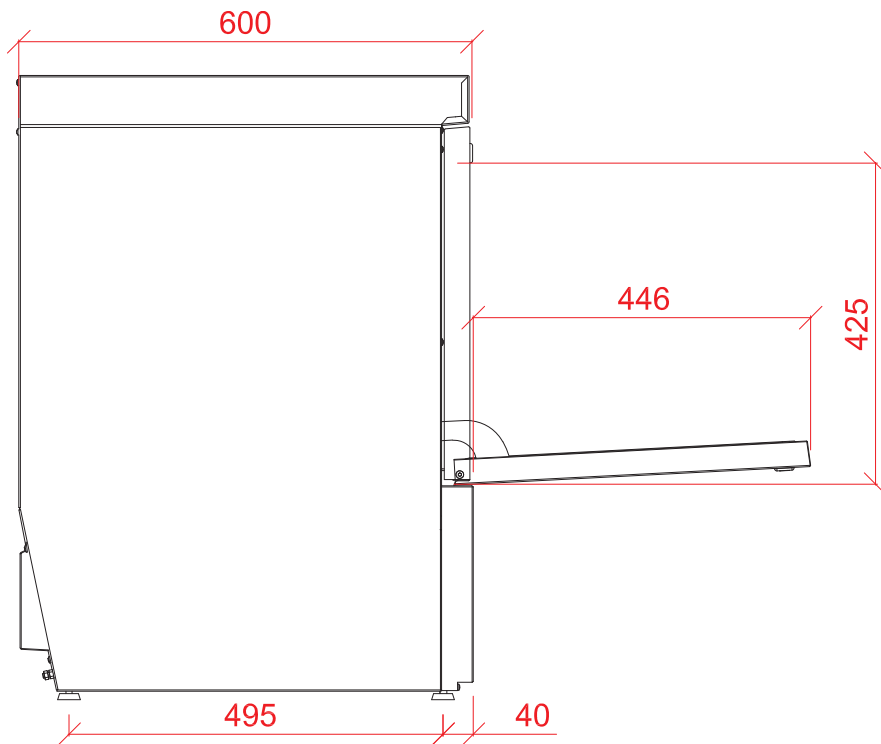
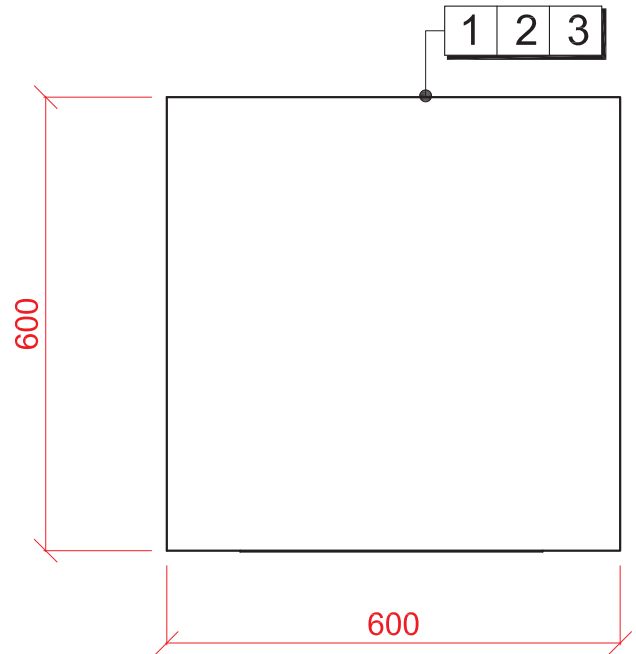


ECOMAX (HOBART UK)  
SOUTHGATE WAY,  
ORTON SOUTHGATE,  
PETERBOROUGH.  
PE2 6GN

TEL:0870 168 8881  
www.hobartindependent.co.uk

Undercounter Dishwasher

ECO+F515W-10C



**1** Water

22mm CONNECTION VIA 2 METRE FLEXIBLE HOSE, FEMALE TERMINATION. WATER SUPPLY 10°C TO 60°C @ 0.6 TO 10.0 BAR MAX. INITIAL TANK FILL 10.6 LITRES. RINSE WATER USAGE 2.3 LITRES PER CYCLE. MAX USAGE 60 CYCLES PER HOUR.

OUR MACHINES ARE SUPPLIED WITH CLASS 'AB' AIR GAP AS STANDARD.

**2** Drain

DRAIN - 2 METRE FLEXIBLE HOSE TO A 40 mm TRAPPED STANDPIPE 750mm MAX A.F.F.L.

FLOW RATE 30 LITRES PER MINUTE.

**Other Services**

RINSE AGENT HOSE - 2.5 METRE FLEXIBLE. DETERGENT HOSE - 2.5 METRE FLEXIBLE.

**3** Electric

5.5kW 230/50/1 + N + E FUSED AT 25amps

**CONFIGURABLE TO:**

7.5kW 400/50/3 FUSED AT 16amps/ PHASE.

MACHINE SUPPLIED WITH 2.5 METRES OF CABLE

**Notes**

APPROX WEIGHTS:  
EMPTY: 65kg's WITH WATER: 87kg's  
+40mm FEET HEIGHT ADJUST

**PLOT SCALE: 1:10**