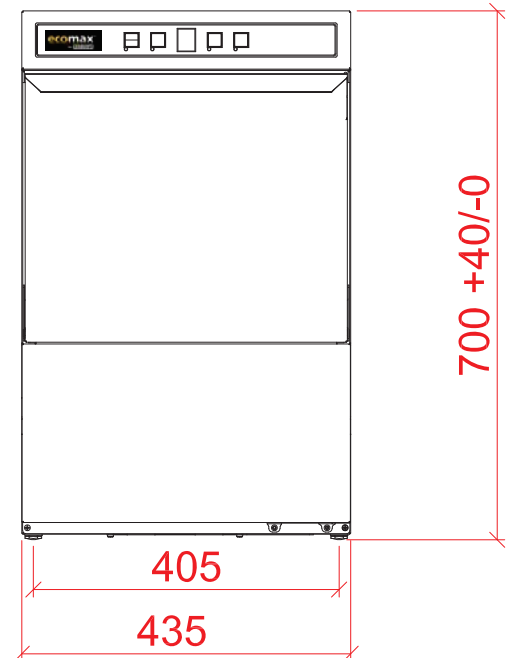
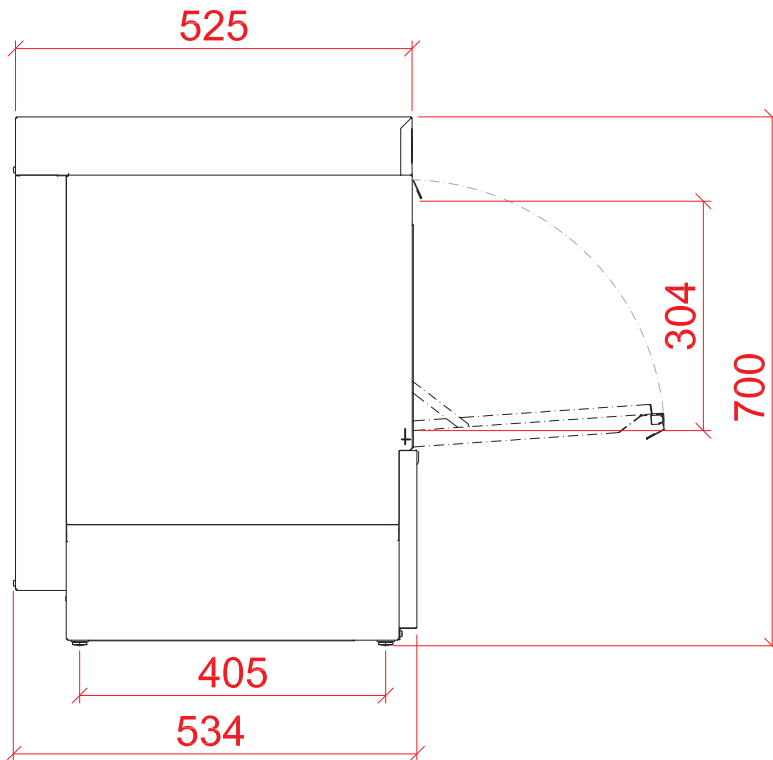
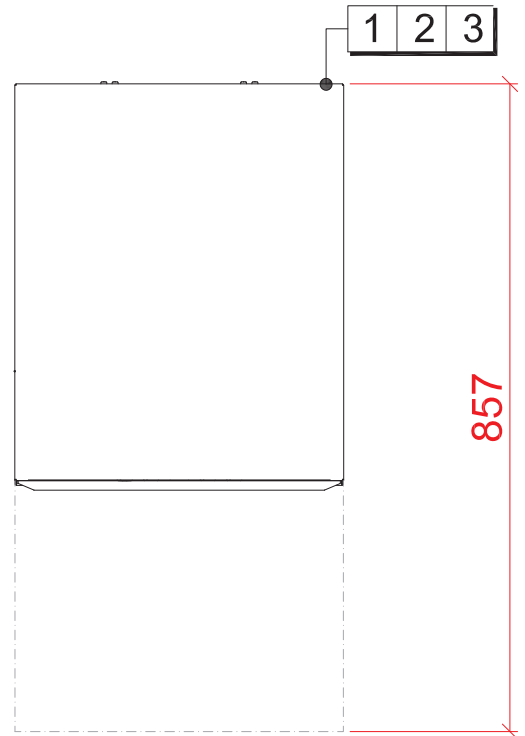


**Glasswasher with inbuilt Softener**

**G404SW-12B**



| 1 Water   | 2 Drain  | 3 Electric  |
|---|--|---|
| 22mm CONNECTION VIA 2 METRE FLEXIBLE HOSE, FEMALE TERMINATION.<br><br>WATER SUPPLY 15°C TO 60°C (2° TO 8° CLARK MAX)@ 2.0 TO 6.0 BAR MAX. INITIAL TANK FILL 10 LITRES.<br>RINSE WATER USAGE 2.0 LITRES PER CYCLE. MAX USAGE 120 LITRES PER HOUR. OUR MACHINES ARE SUPPLIED WITH CLASS 'AB' AIR GAP AS STANDARD. | DRAIN: 2.0 METRE FLEXIBLE HOSE TO A 40mm TRAPPED STANDPIPE 650mm MAX A.F.F.L.<br><br>FLOW RATE 30 LITRES PER MINUTE. | 2,1kW 230/50/1 FUSED AT: 1 x 13amps CONFIGURABLE TO:<br>5,8kW 400/50/3 FUSED AT: 3 x 16amps<br>3,9kW 230/50/1 FUSED AT: 1 x 25amps<br><br>MACHINE SUPPLIED WITH 2.0 METRES OF CABLE |
|   | Other Services   | Notes   |
|   | RINSE AGENT HOSE - 2.5 METRE FLEXIBLE.<br>DETERGENT HOSE - 2.5 METRE FLEXIBLE.                                       | +40mm ADJUSTMENT FOR FEET.<br>FOR RACK SIZE:<br>385mm x 385mm to 396mm x 396mm  |