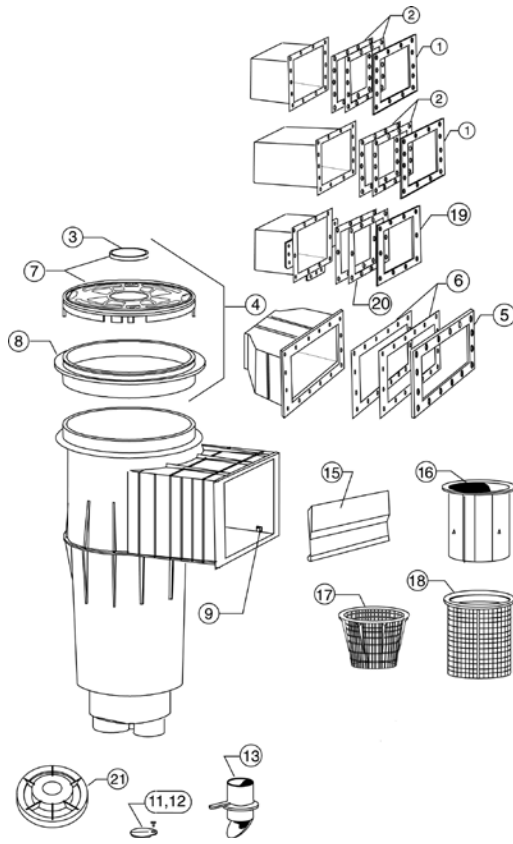


ADMIRAL™ SKIMMERS

REPLACEMENT PARTS



Item	Part No.	Description	US List	Can. List
ADMIRAL SKIMMERS				
1	85004200	Frame, sealing liner, white std. 12 hole pattern	31.14	37.42
1	85004211	Frame, sealing liner, black std. 12 hole pattern	31.14	37.42
1	85004213	Frame, sealing liner, gray std. 12 hole pattern	31.14	37.42
2	85001600	Gasket set, liner, std. 12 hole pattern	44.41	53.36
3	510161	Disk, logo	7.56	9.08
4	85000400	Lid/ring seat, complete, white	69.50	83.51
4	85000411	Lid/ring seat, complete, black	58.35	70.11
4	85018000	Lid/ring seat, complete, tan	90.29	108.49
5	85007600	Frame, sealing liner, wide mouth, white	CALL	CALL
6	85007700	Gasket, sealing liner, wide mouth (2), white	58.11	69.82
7	85007400Z	Lock down lid, white	52.93	63.60
7	85007411	Lock down lid, black	39.17	47.07
7	85007413	Lock down lid, gray	38.82	46.65
7	85007430	Lock down lid, tan	47.76	57.39
8	85000600	Ring seat only, 9 in. diameter, white	23.00	27.64
8	85017900	Ring seat only, 9 in. tan	29.34	35.25
9	85017500	Pivot tab for flap weir	1.81	2.17

Item	Part No.	Description	US List	Can. List
11	85002400	Trimmer valve plate, residential	8.12	9.76
12	98204400	Screw for trimmer plate, 10-24 x 1/2 in.	3.57	4.29
13	85002600	Vari-flo control insert only	17.57	21.11
15	85001500	Flap weir	44.41	53.36
16	R38013B	Floating weir, circular	24.23	29.11
17	85014500	Basket, tapered	37.21	44.71
17	85014600	Basket, tapered (S-20 Model Only)	20.10	24.15
18	R38013AZ	Basket, for floating weir	36.86	44.29
19	85000300	Frame, liner, American 10 hole pattern	74.31	89.29
20	81111800	Gasket set, large 10 hole pattern, w/ dbl. wall	23.62	28.38
20	81111700	Gasket set, large 10 hole pattern, w/o dbl. wall	23.62	28.38
21	85015200	Equalizer assembly	69.16	83.10

NOT SHOWN				
	98202600	Screw, sealing ¹	5.89	7.08
	98202700	Screw, sealing ¹	5.95	7.15
	98202900	Screw, sealing ²	2.84	3.41
	98207200	Screw, sealing ²	CALL	CALL
	98203000	Screw ²	3.33	4.00
	85008500	Screw kit, American 10 hole pattern	CALL	CALL
	85008600	Screw kit, American 10 hole pattern, extra long	31.37	37.69
	85008700	Screw kit, std. 12 hole pattern	31.37	37.69
	85008800	Screw kit, std. 12 hole pattern, extra long	31.37	37.69
	85015100	O-ring, skimmer bottom	12.47	14.98
	355330	O-ring, equalizer	2.65	3.18
	85016600Z	Rubber stopper, flap weir	CALL	CALL
	98213000	Screw, 8-32 x 5/8 in. commercial lid	2.85	3.42
	98208500	Washer, gum commercial lid	2.97	3.57
	85014700	Handle, basket	8.04	9.66
	85007200	Angle bracket	CALL	CALL
	85012800	Track-VF skimmer	CALL	CALL
	85014200	Trimmer, equalizer	CALL	CALL
	85009500	Skimmer Lid (Old Style)	41.36	49.70

¹ Used on skimmers manufactured before 2-1-76.

² Used on skimmers manufactured after 2-1-76.

CALIFORNIA PROPOSITION 65 WARNING

WARNING: Cancer and Reproductive Harm.
AVERTISSEMENT: Peut Causer le Cancer et des Dommages au Système Reproducteur.
ADVERTENCIA: Cáncer y Daño Reproductivo.
www.p65warnings.ca.gov

Product on pages 320–321.

Replacement baskets on page 200.