

Magnetic Track Lighting

Installation manual

Menu:

- | | |
|------------------------------------|-----|
| 1. Surface mounted | P1 |
| 2. Recessed mounted | P5 |
| 3. Pendant mounted | P11 |
| 4. Recessed mounted with trim | P14 |
| 5. Input terminal connection | P17 |
| 6. Surface mount kit | P19 |
| 7. Track connection | P20 |
| 8. Track connection with connector | P21 |

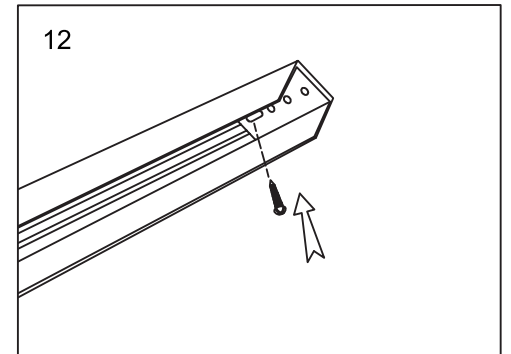
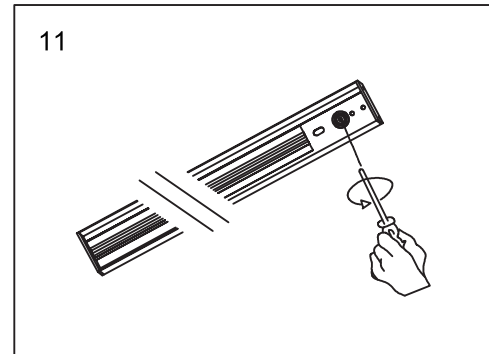
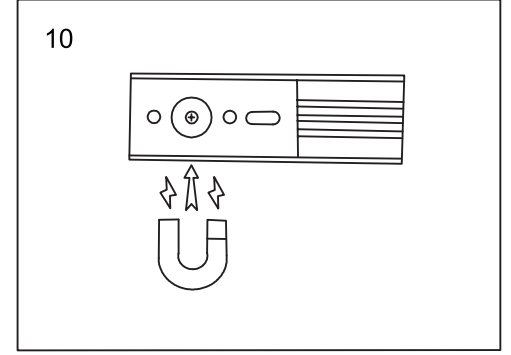
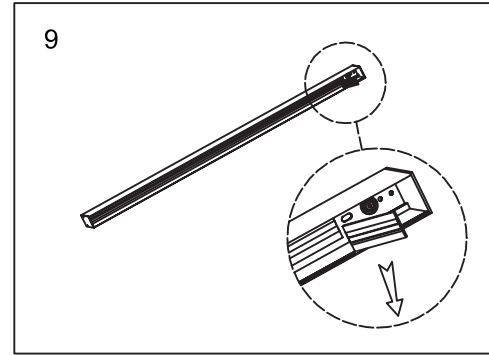
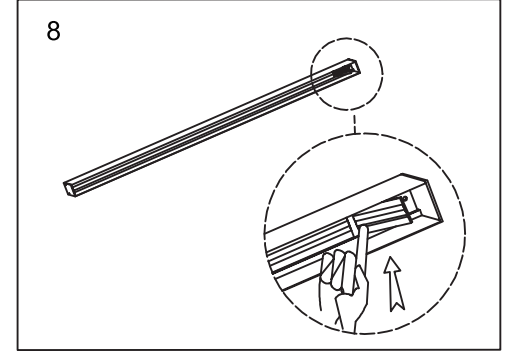
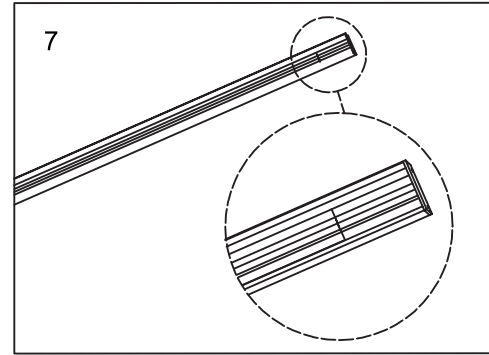
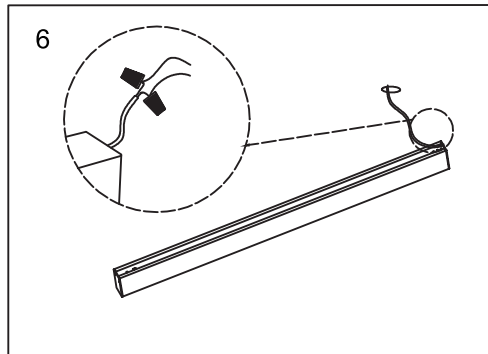
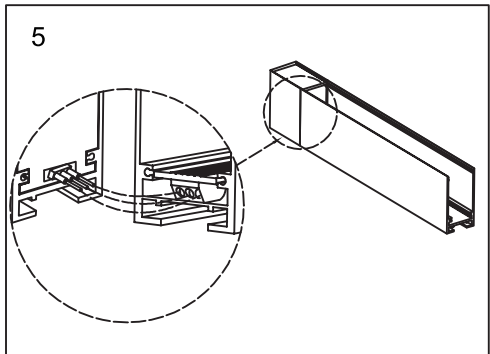
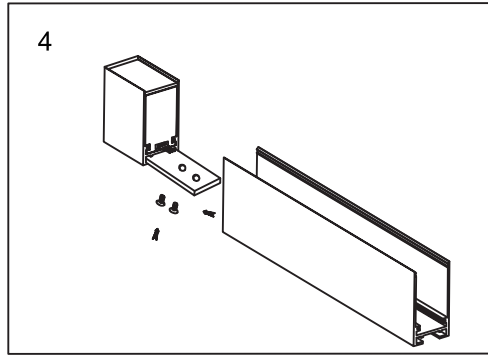
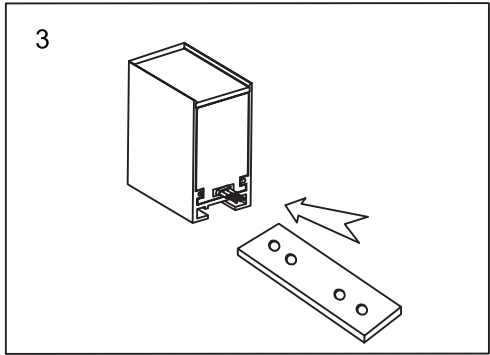
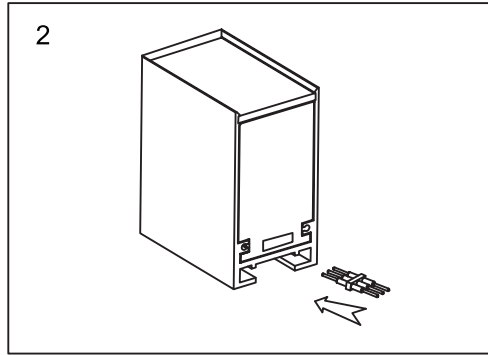
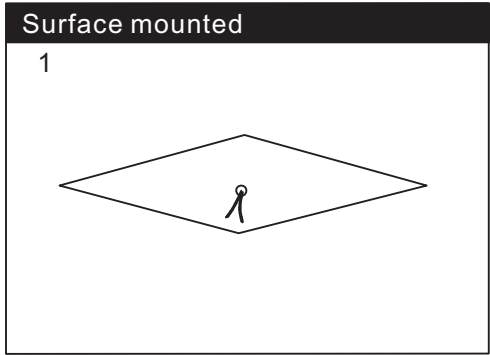
CW Woodcraft, Inc.

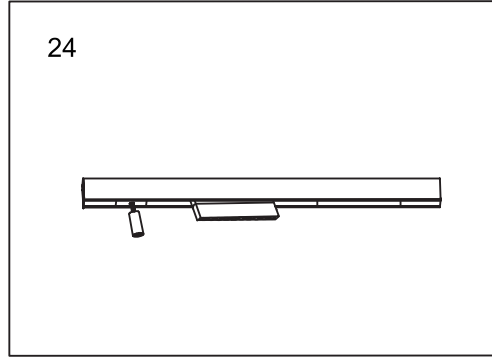
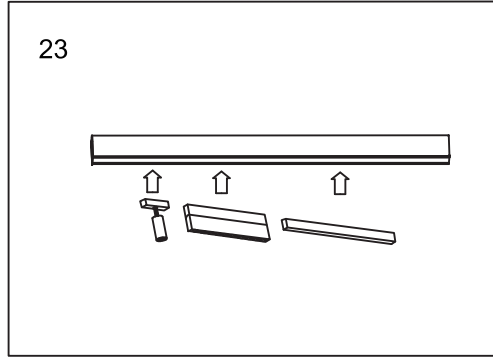
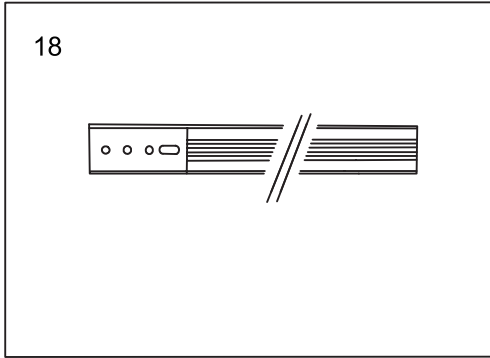
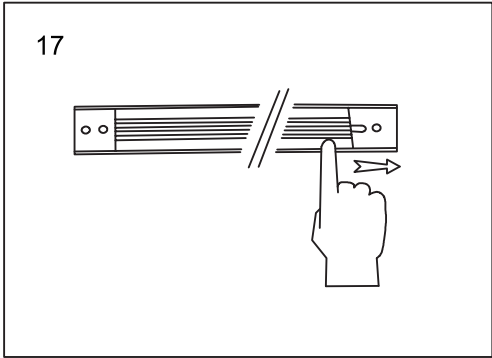
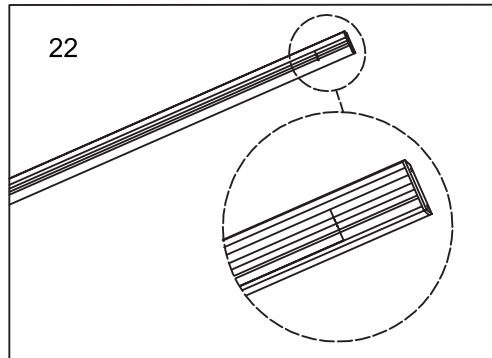
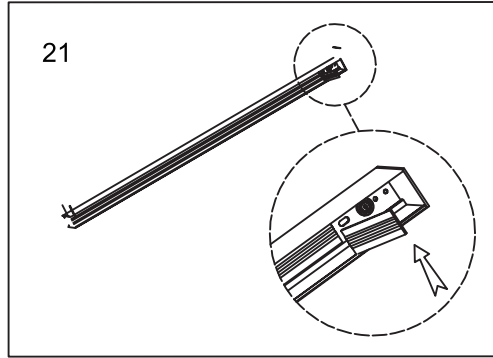
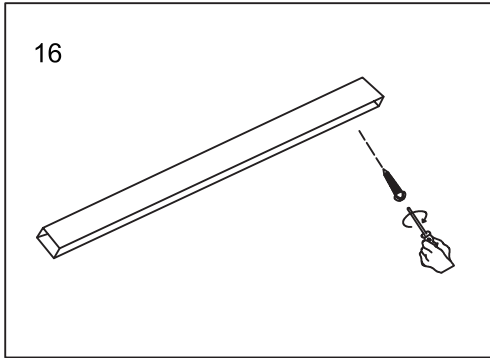
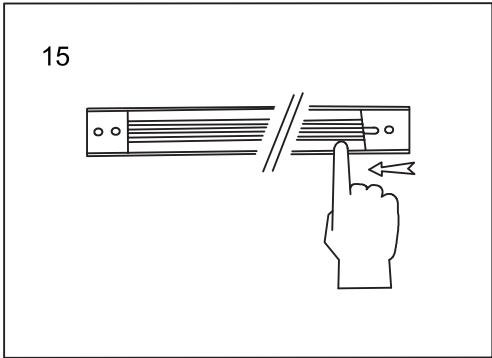
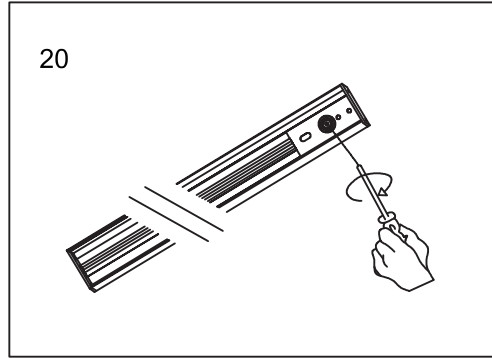
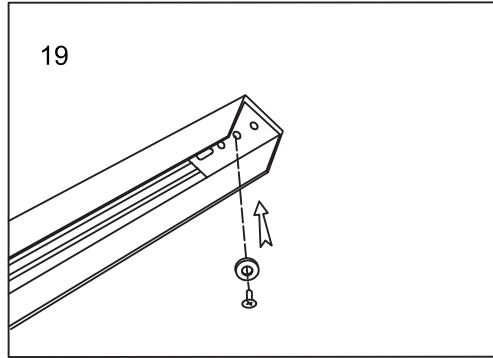
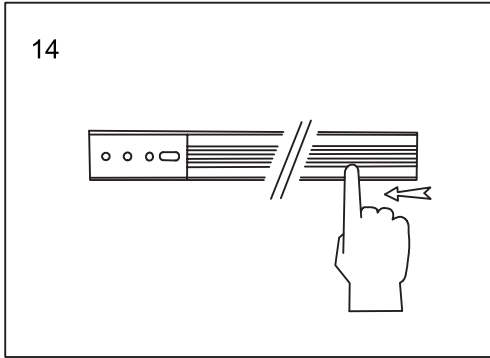
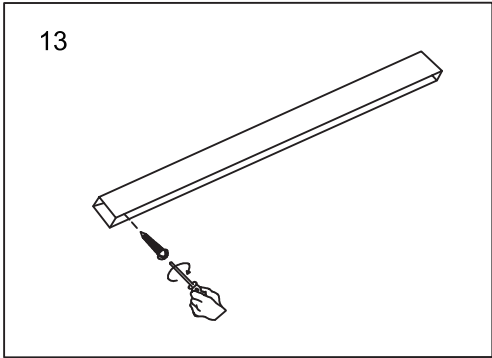
Columbus, Ohio

Email: sales@cwwoodcraft.com

www.cwoodcraft.com

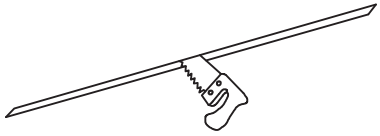
Caution: This system is a LOW VOLTAGE DC24V product



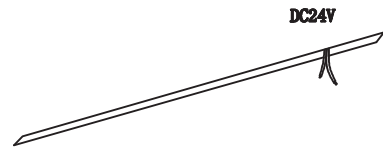


Recessed mounted

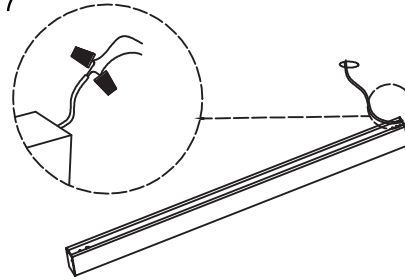
1



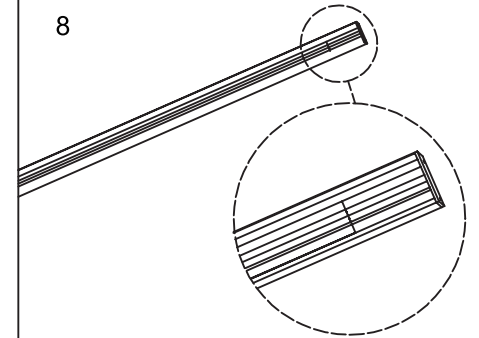
2



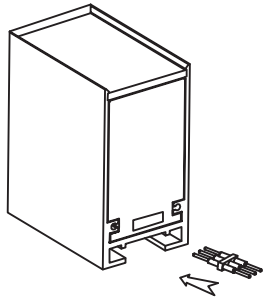
7



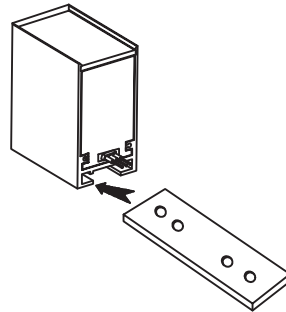
8



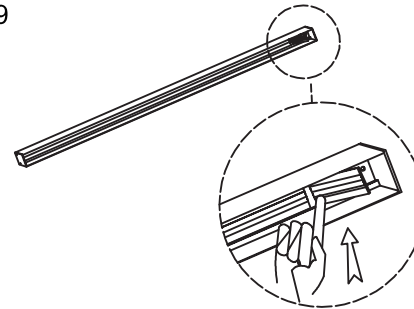
3



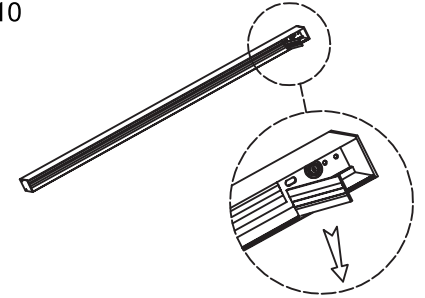
5



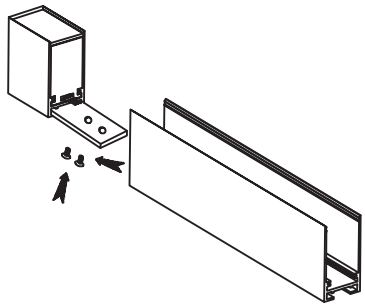
9



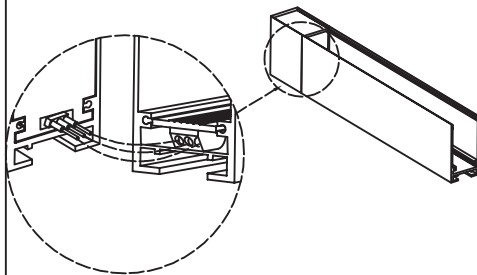
10



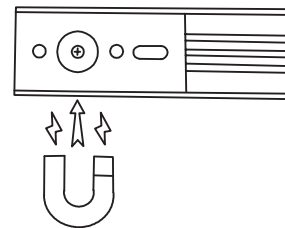
4



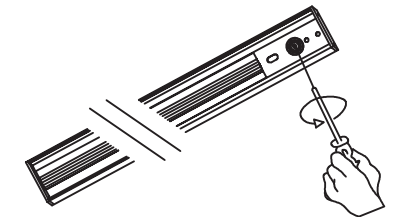
6

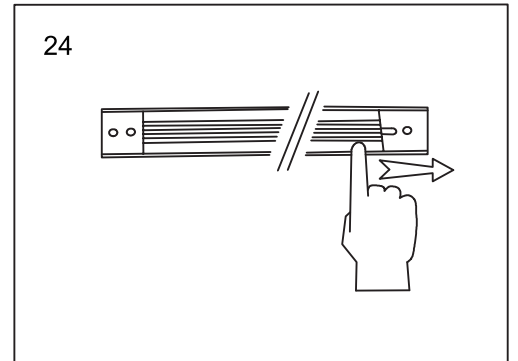
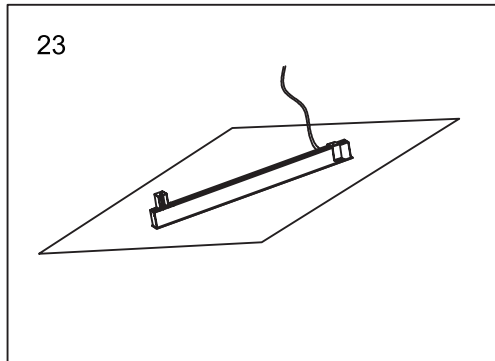
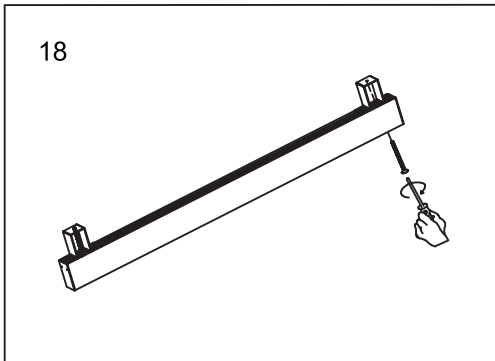
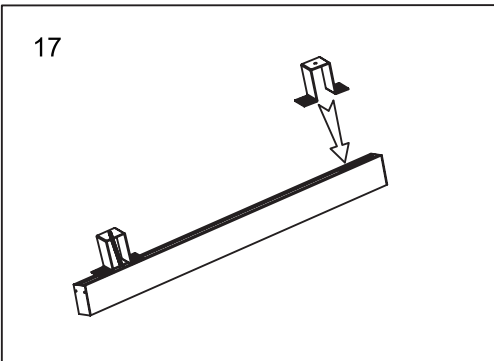
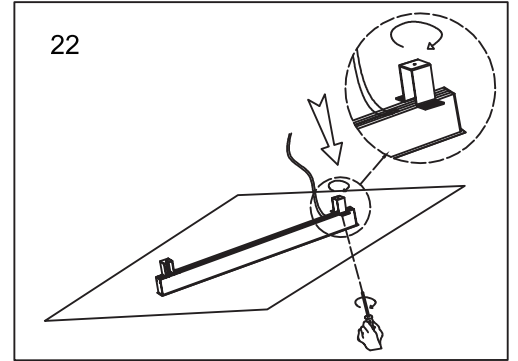
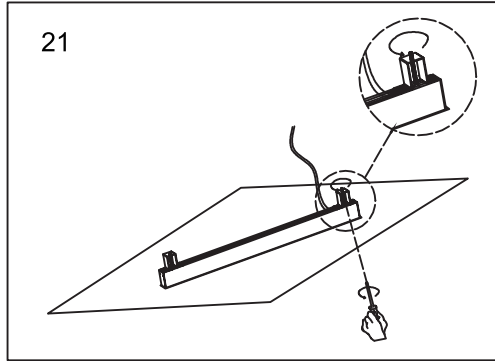
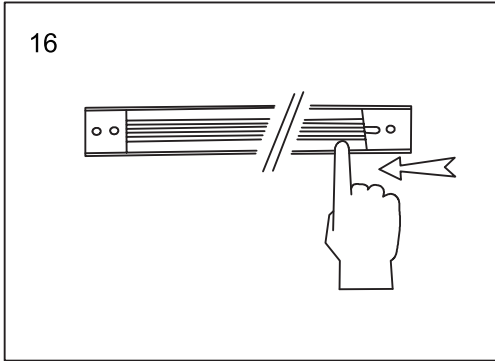
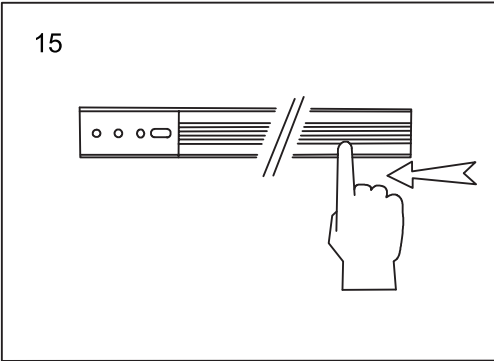
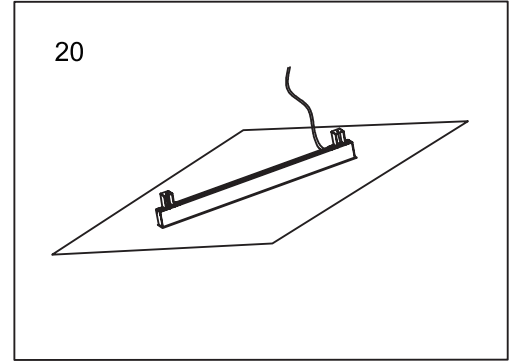
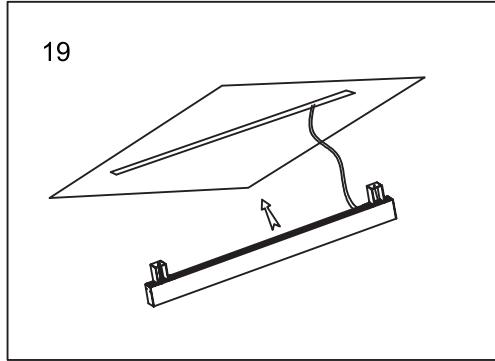
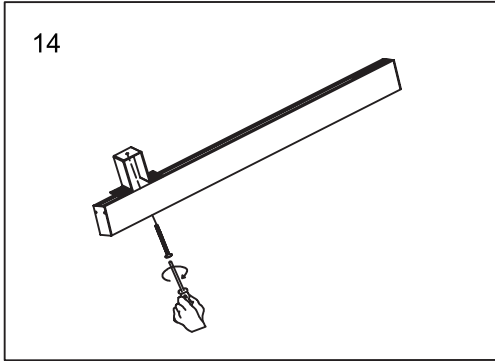
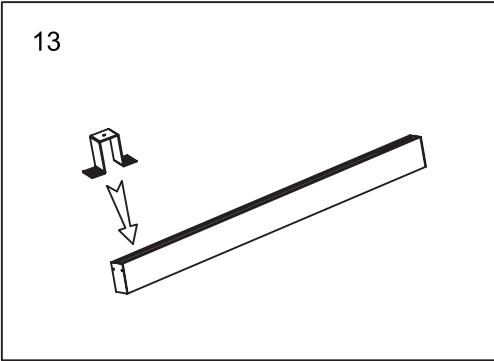


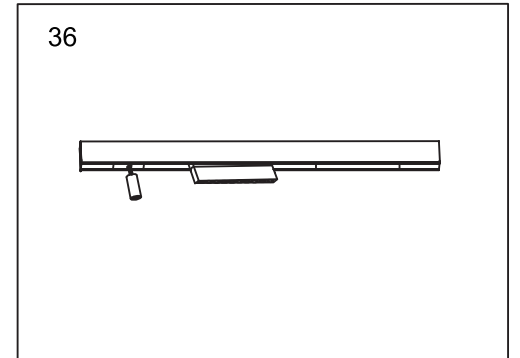
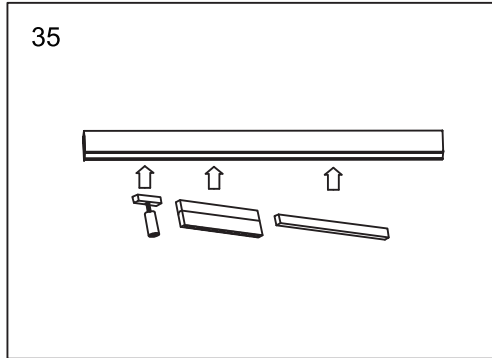
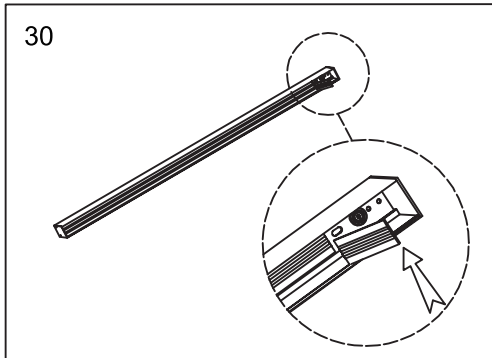
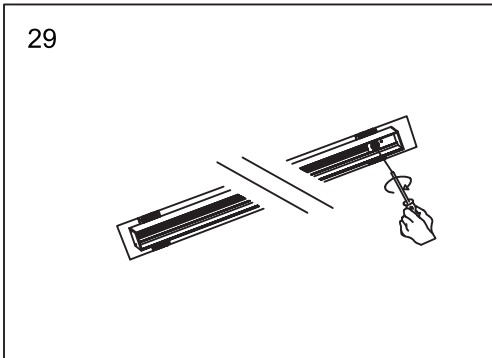
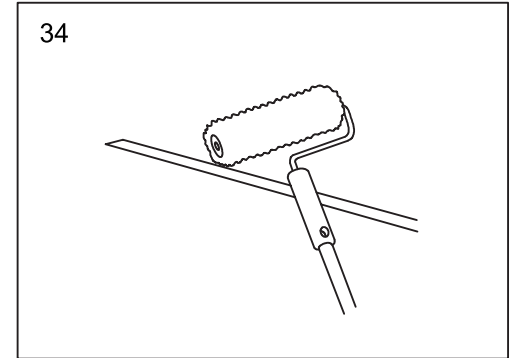
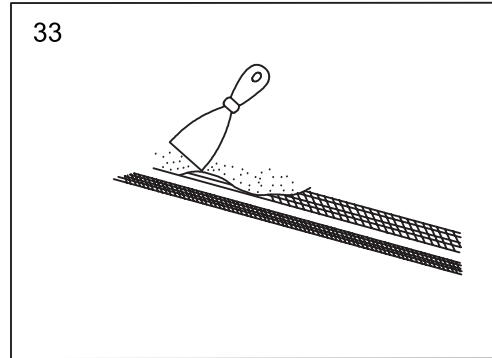
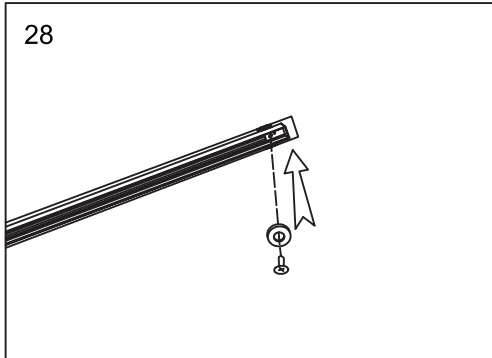
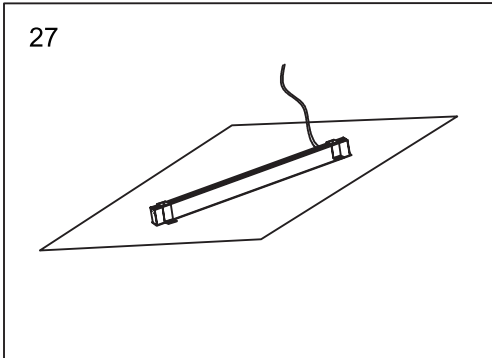
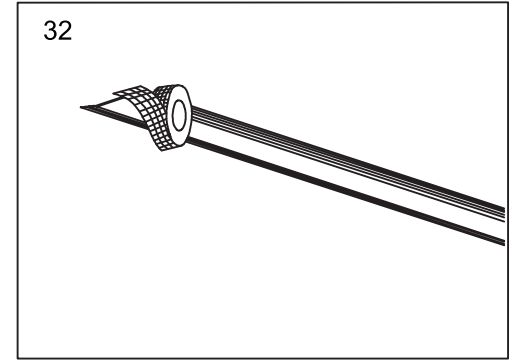
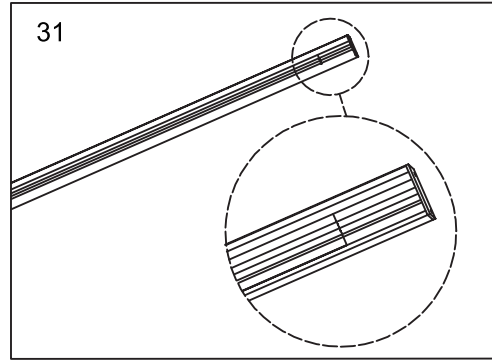
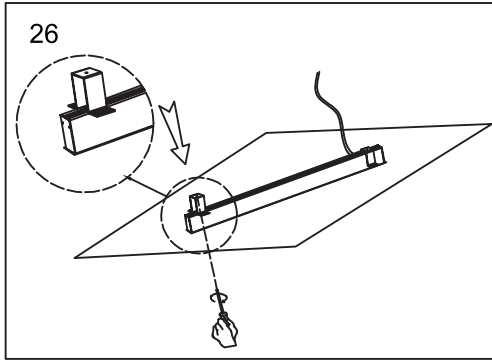
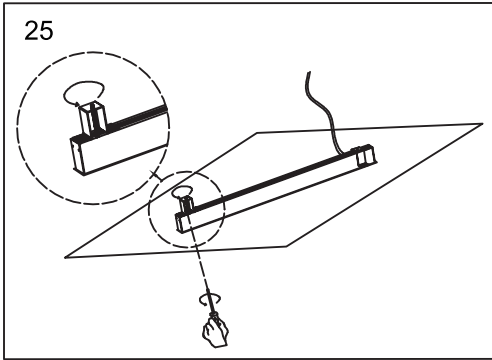
11



12

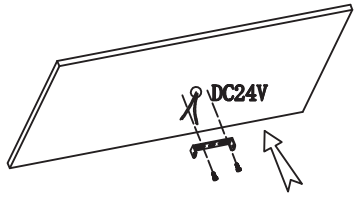




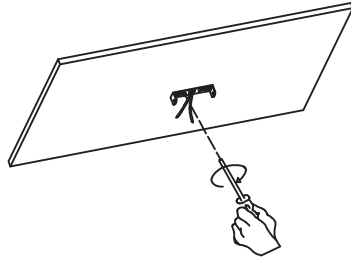


Pendant mounted

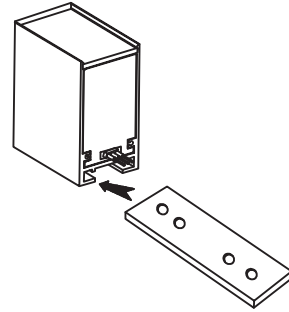
1



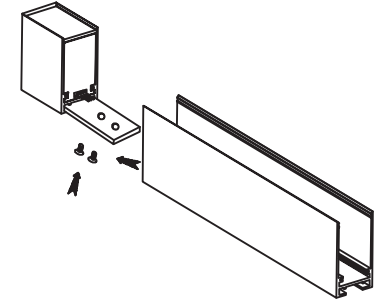
2



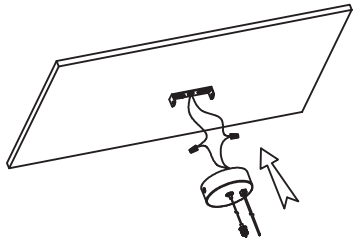
7



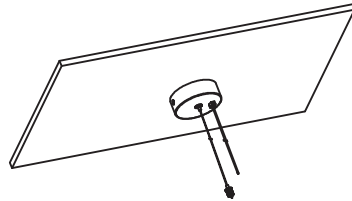
8



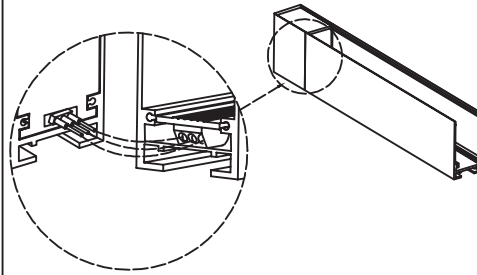
3



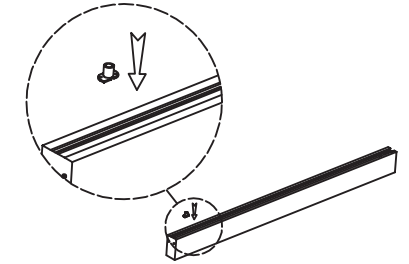
4



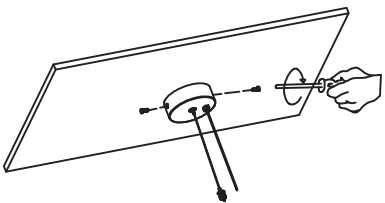
9



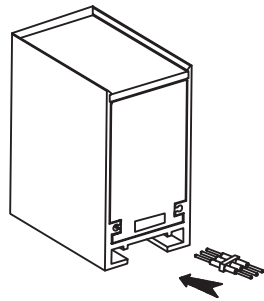
10



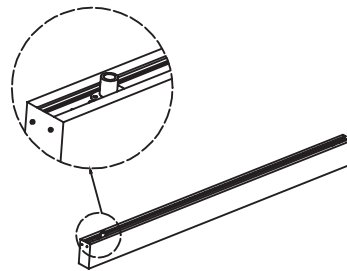
5



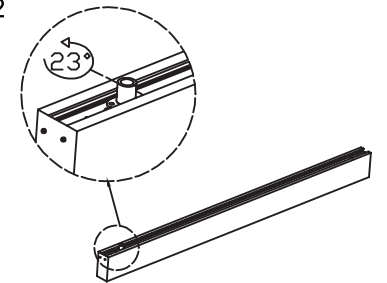
6

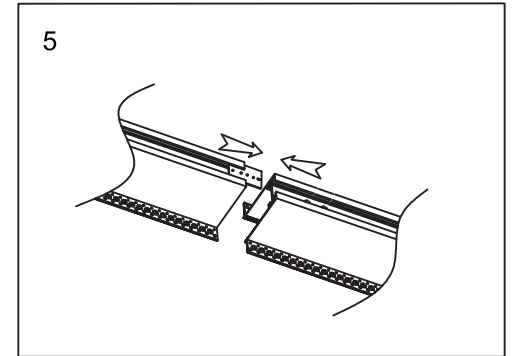
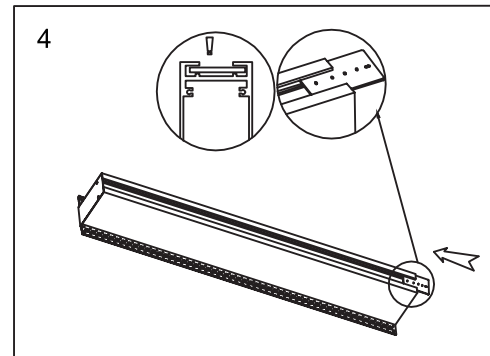
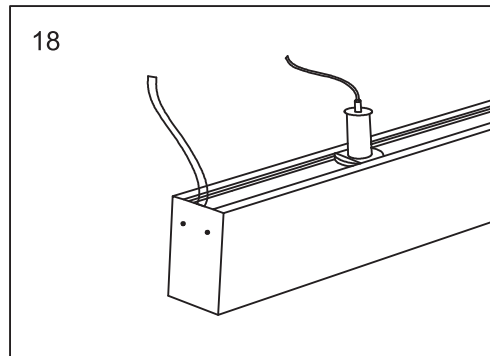
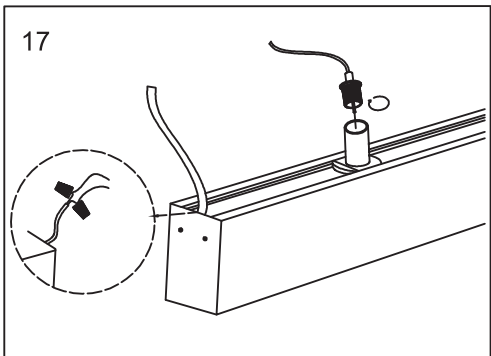
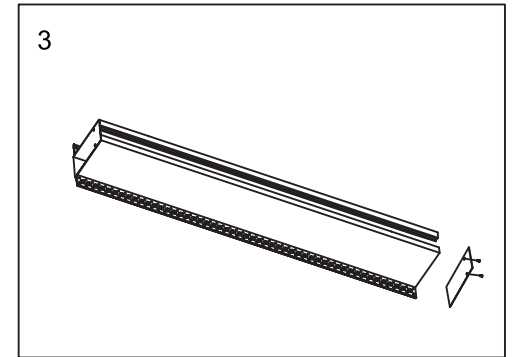
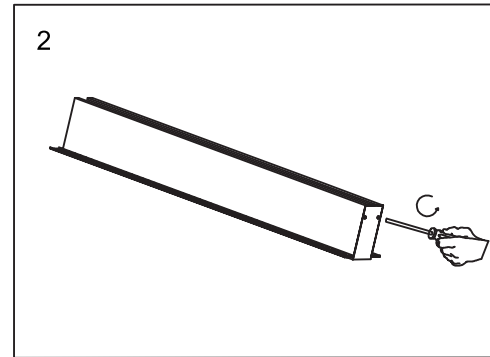
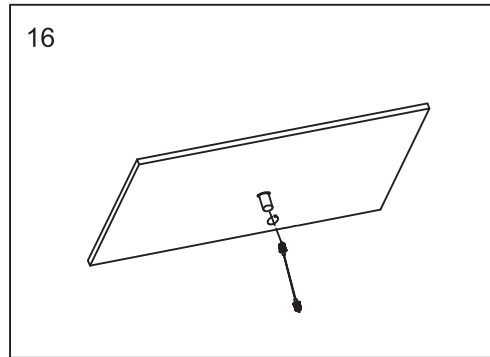
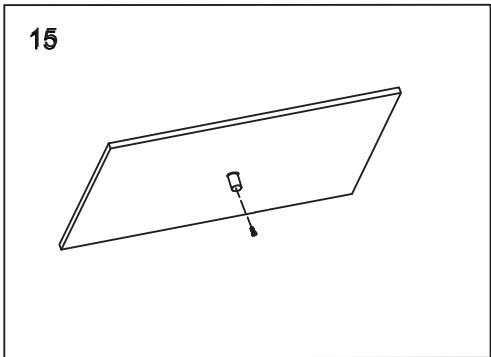
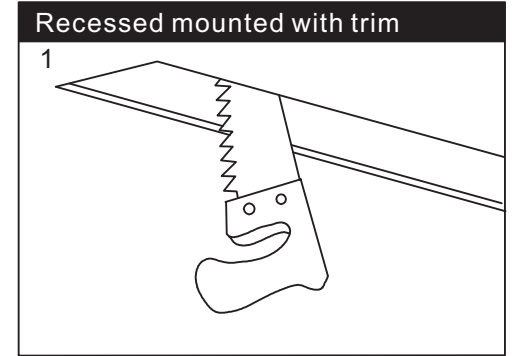
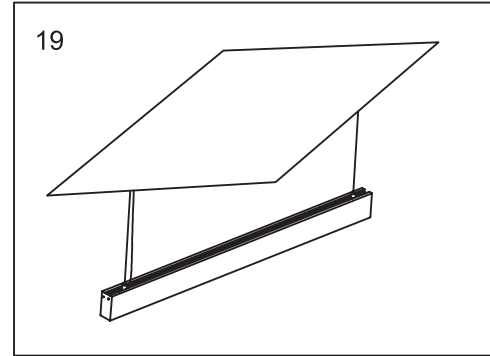
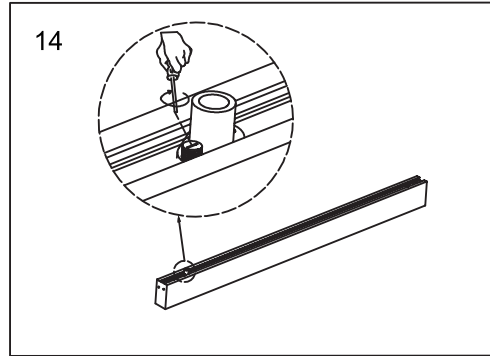
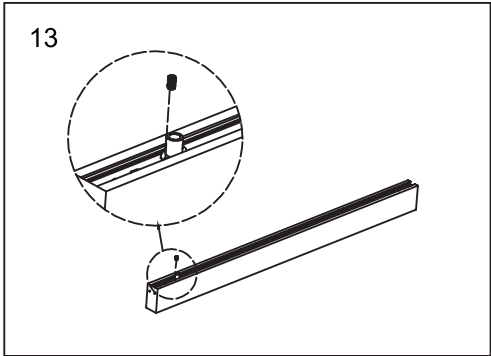


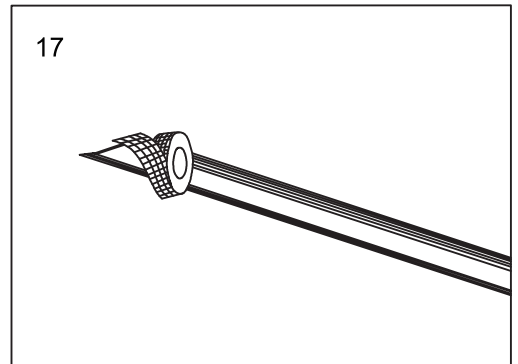
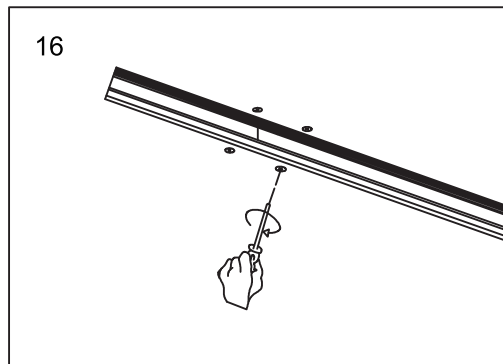
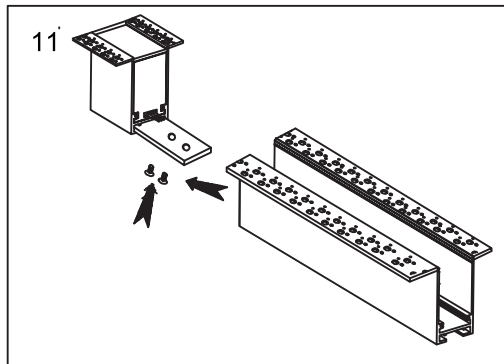
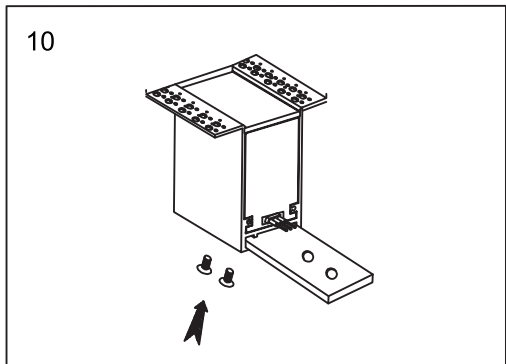
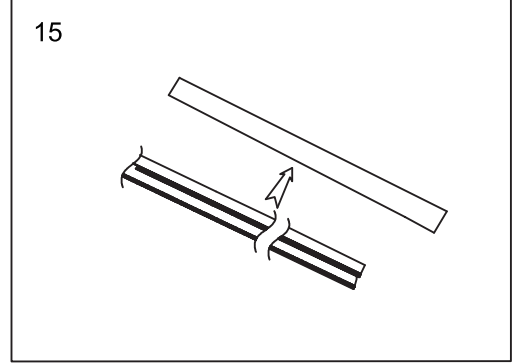
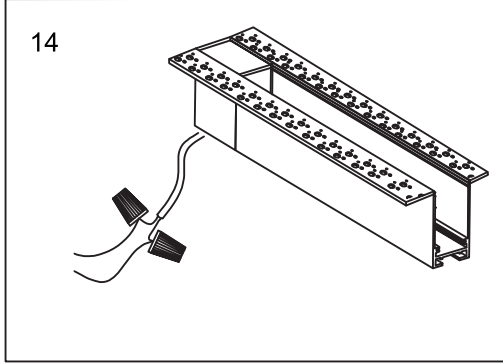
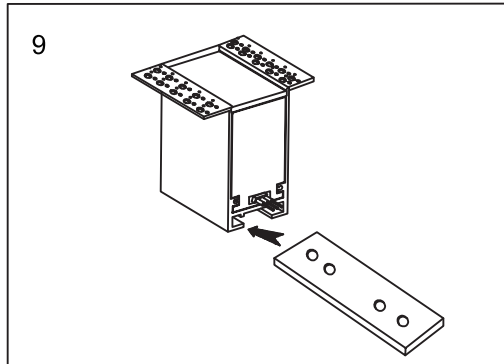
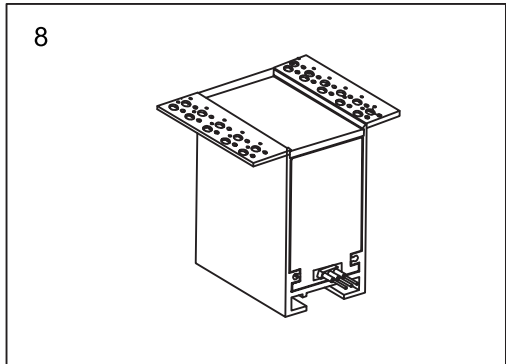
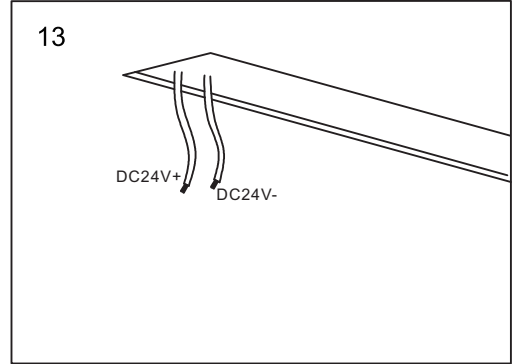
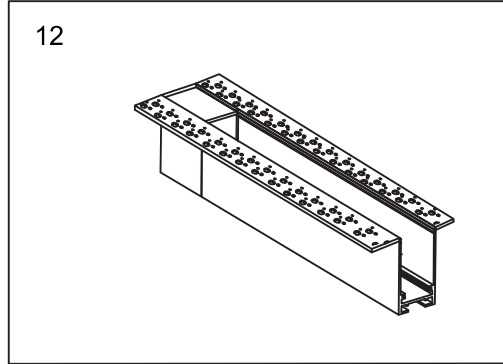
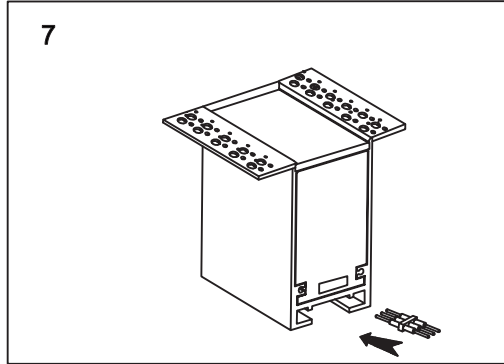
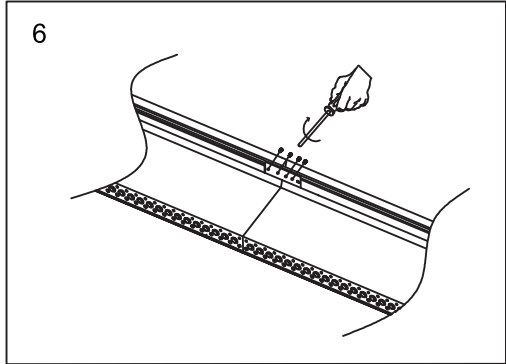
11

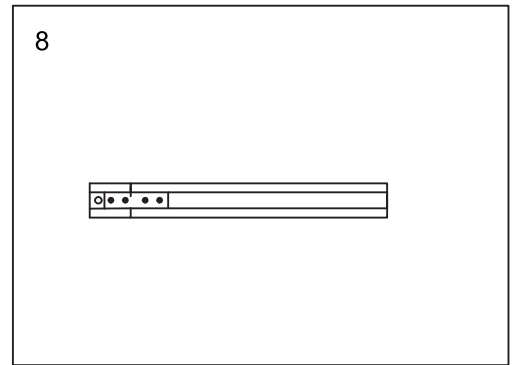
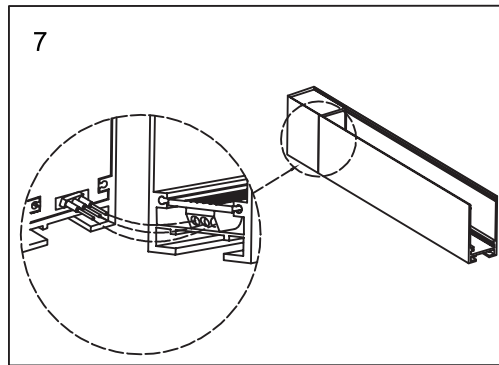
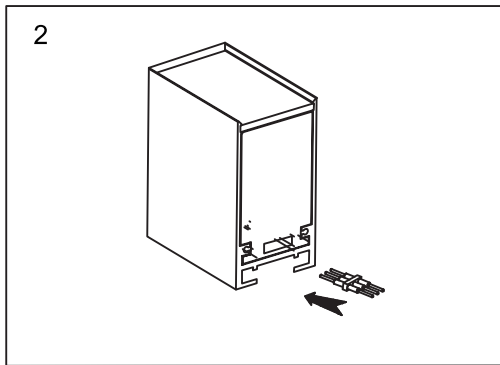
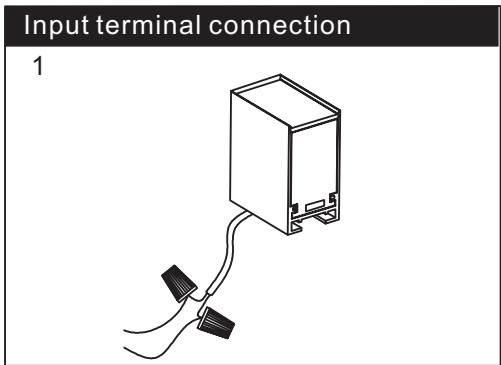
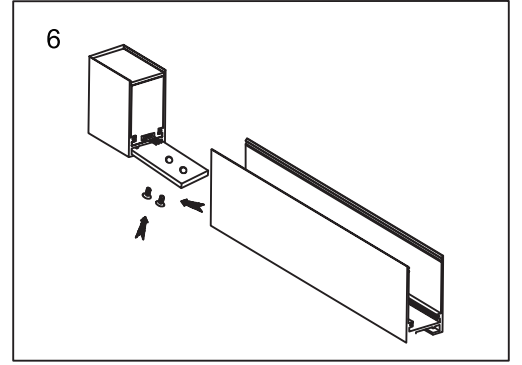
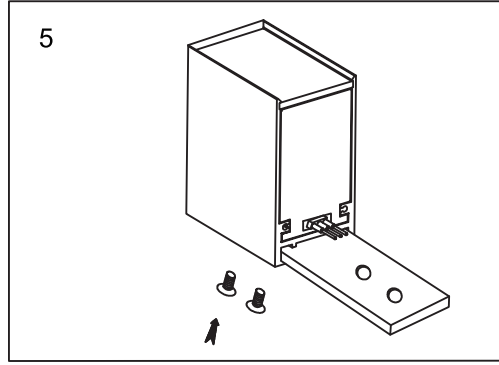
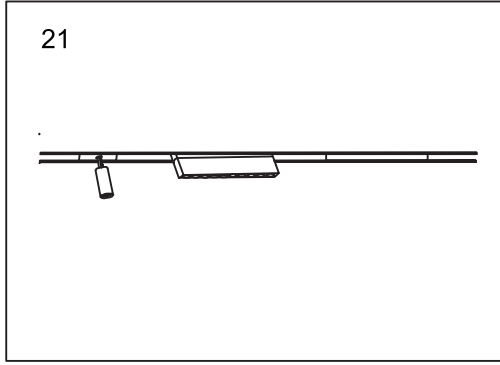
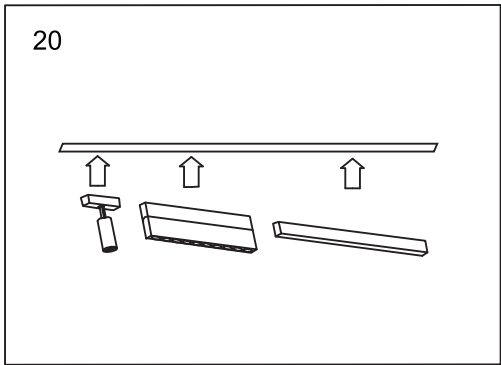
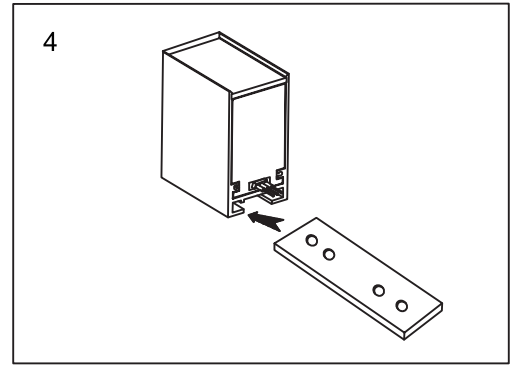
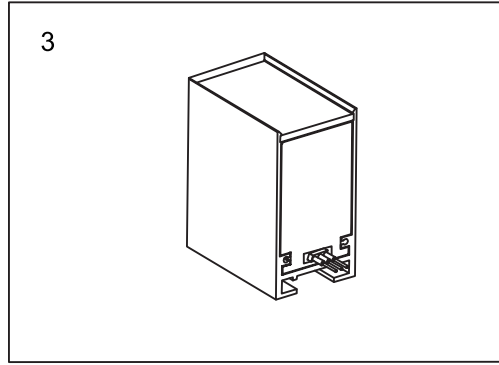
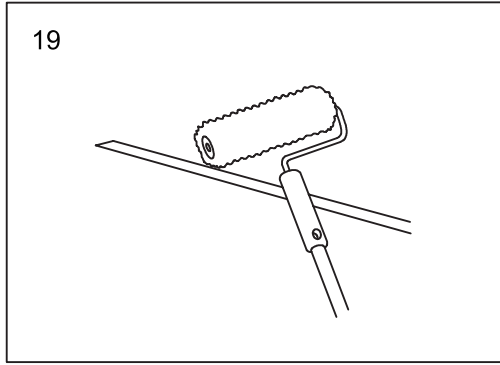
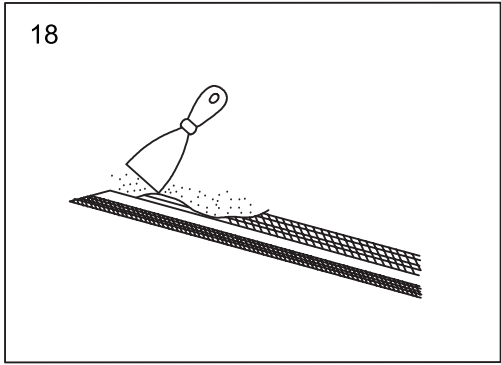


12

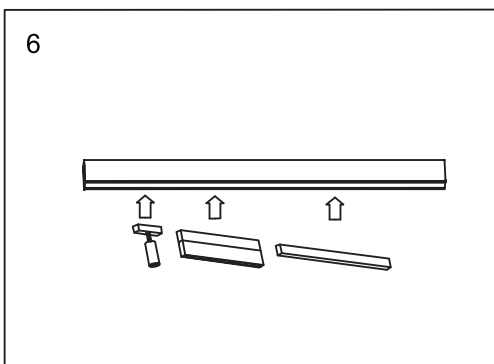
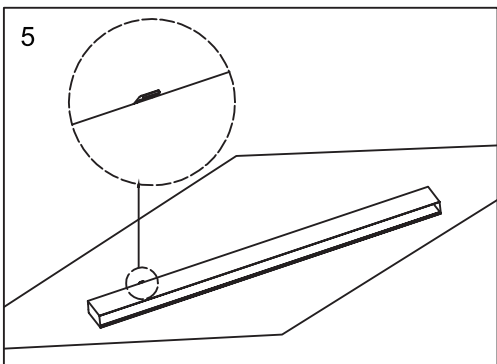
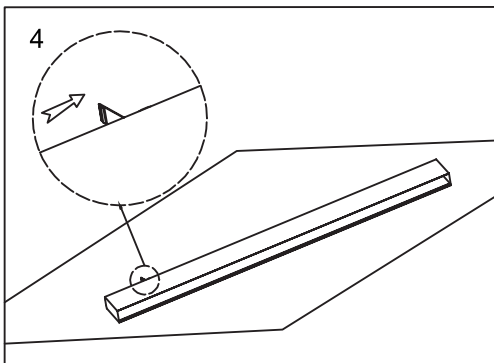
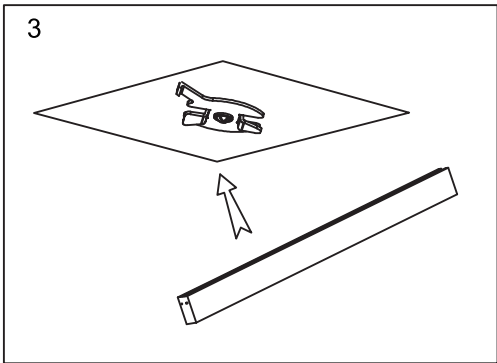
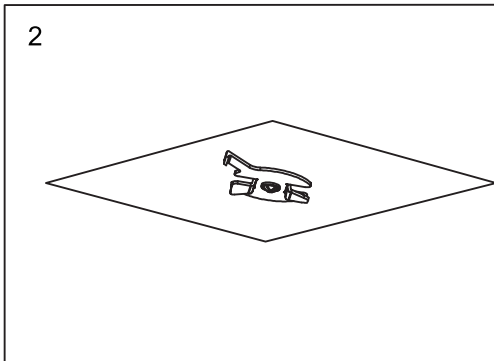
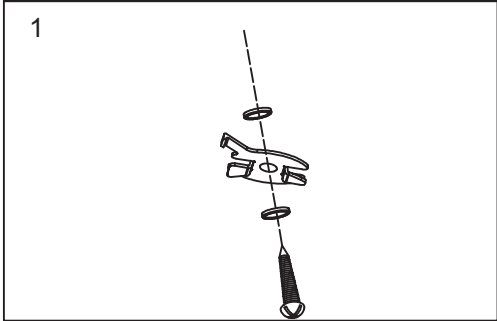








Surface mount kit



Track Connection

