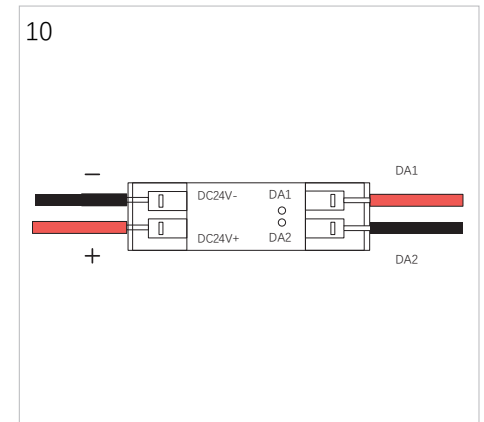
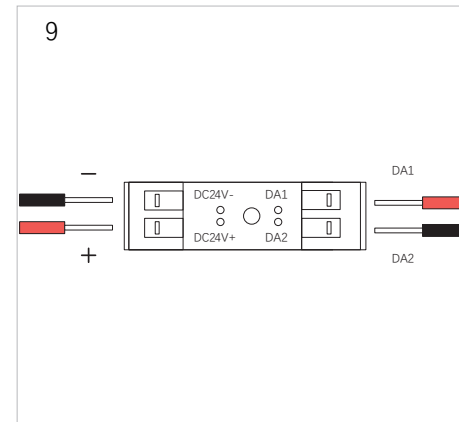
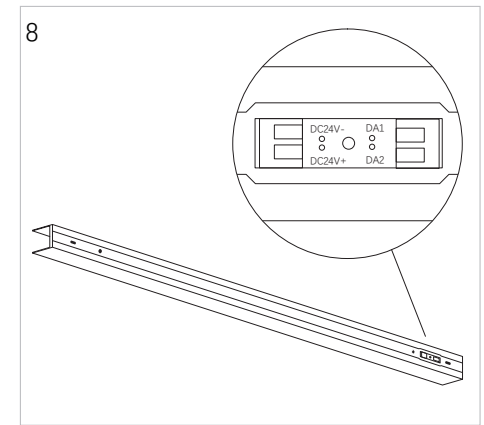
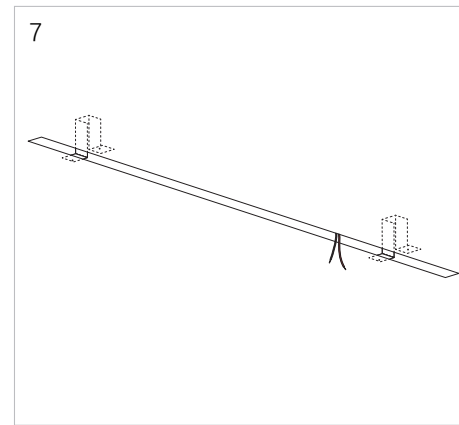
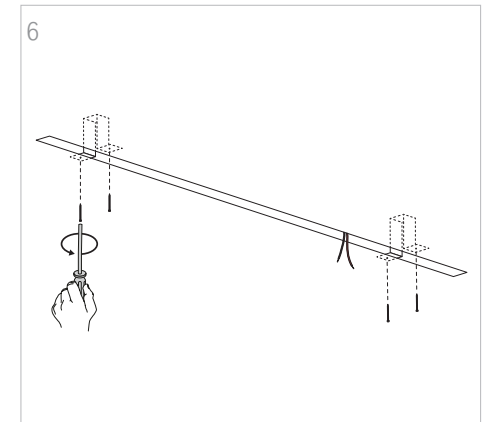
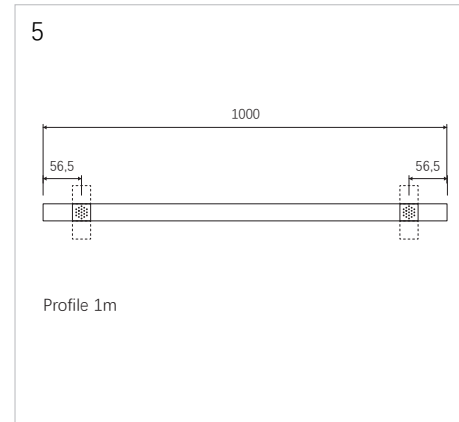
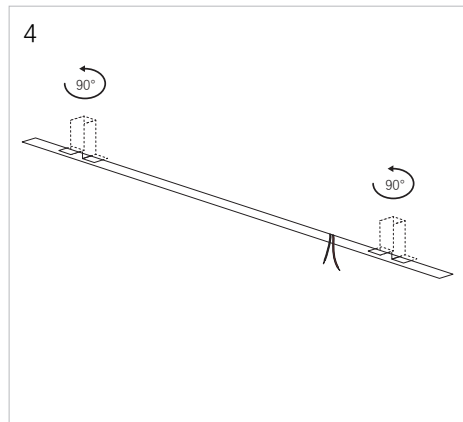
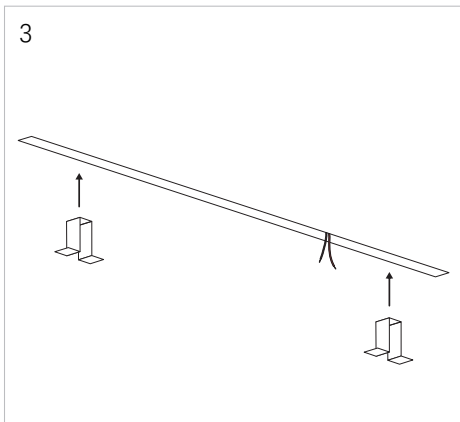
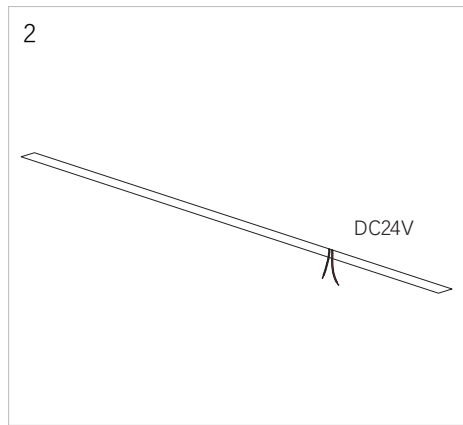
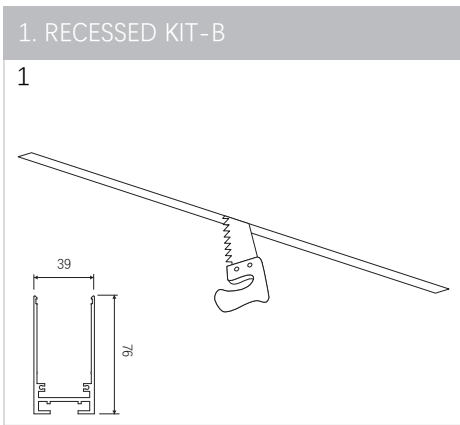
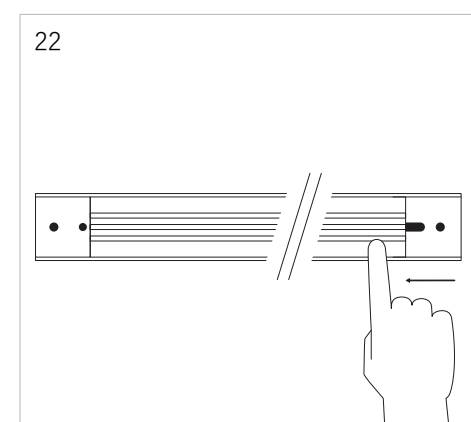
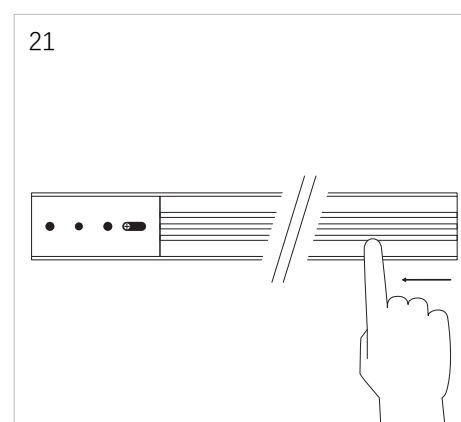
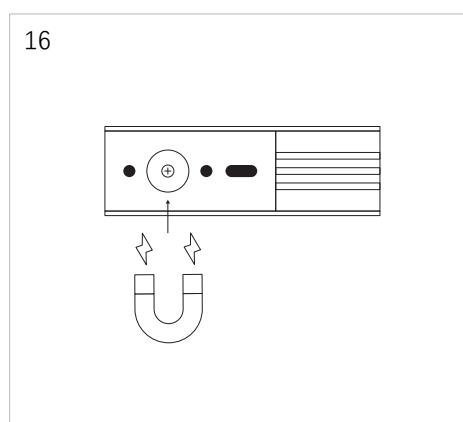
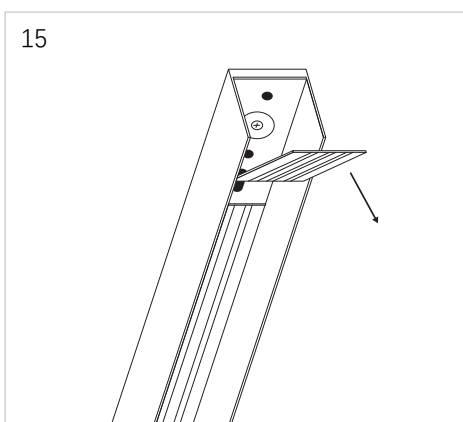
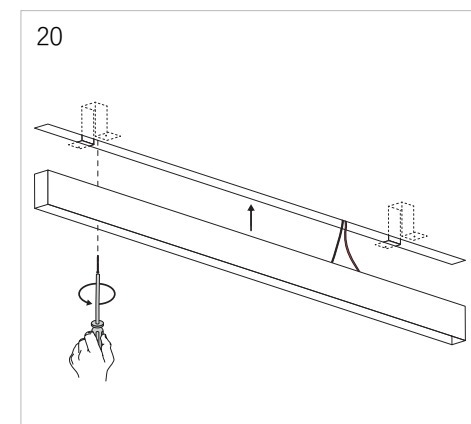
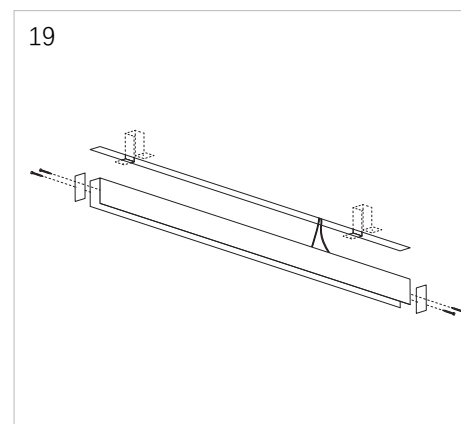
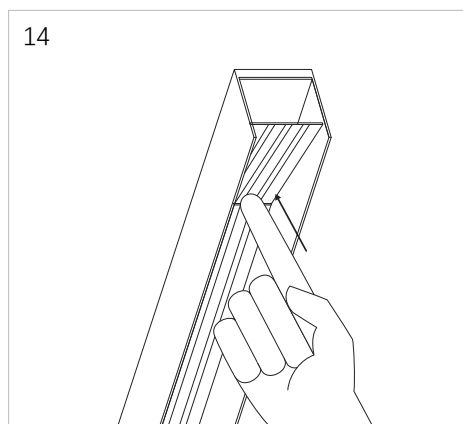
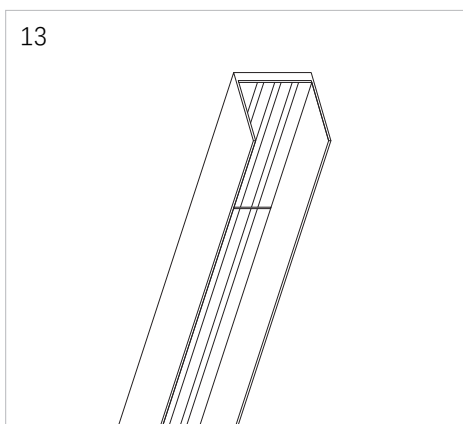
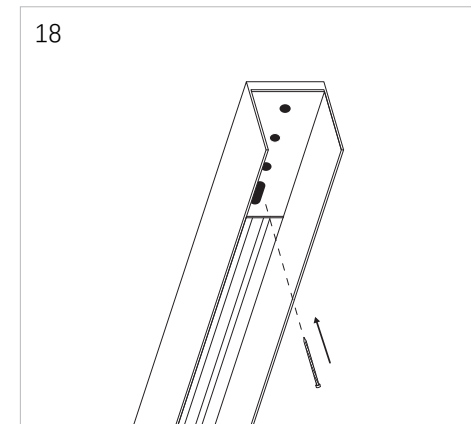
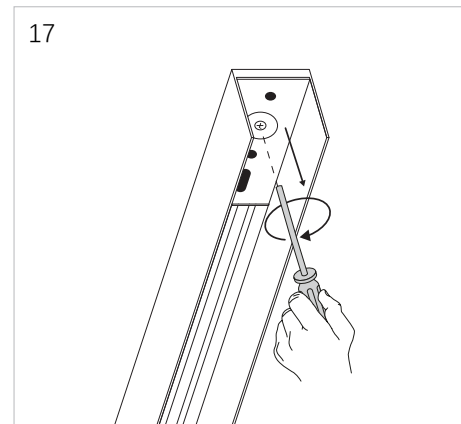
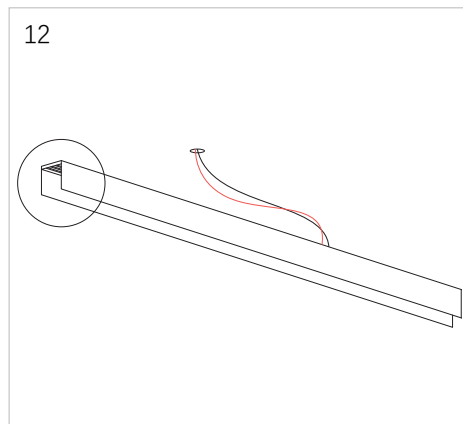
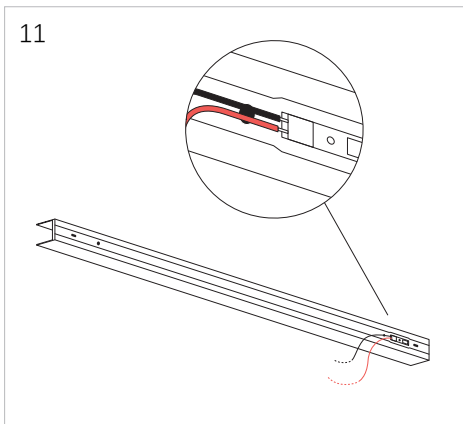
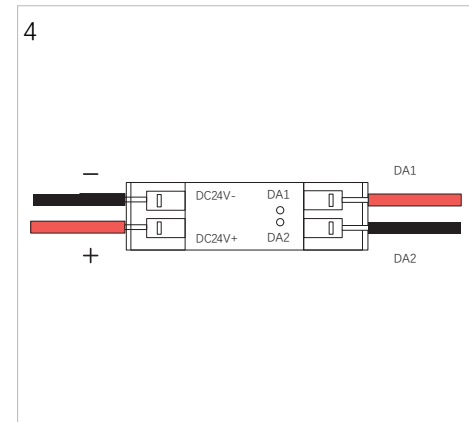
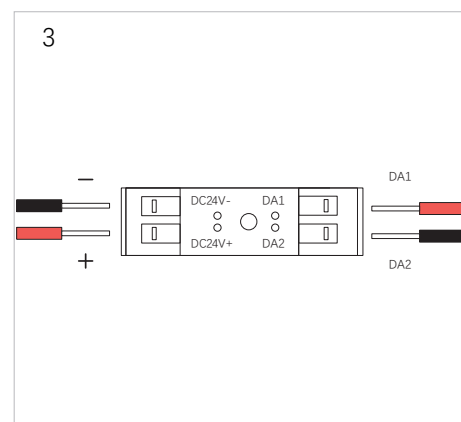
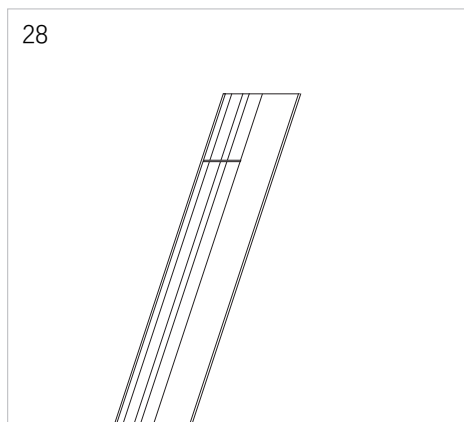
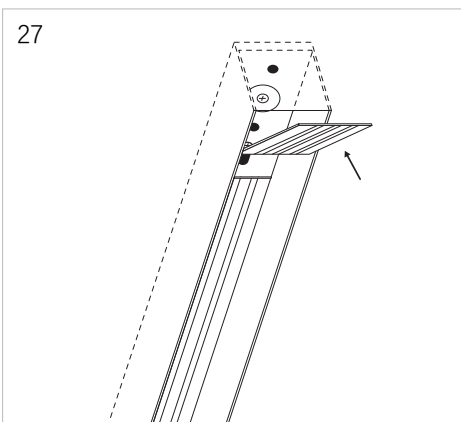
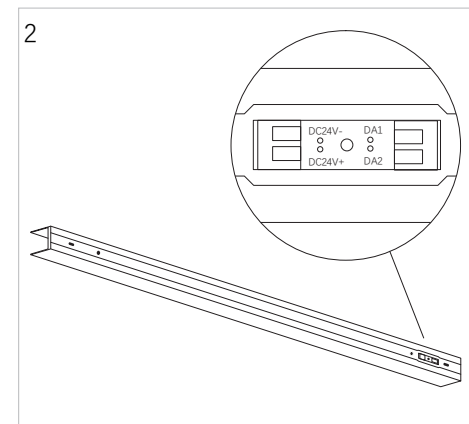
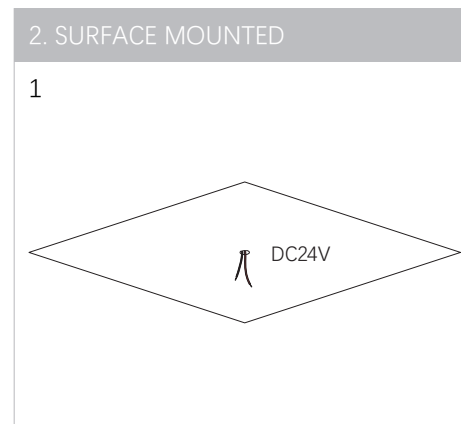
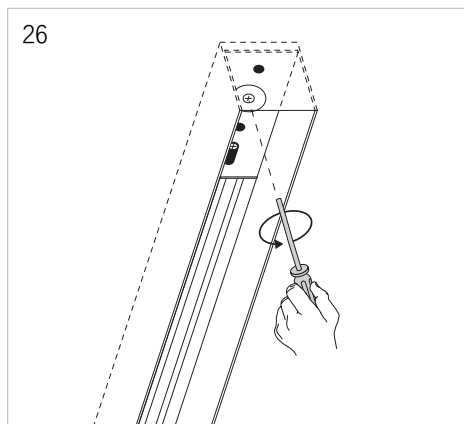
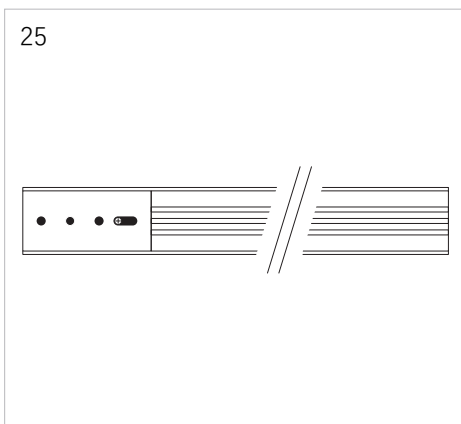
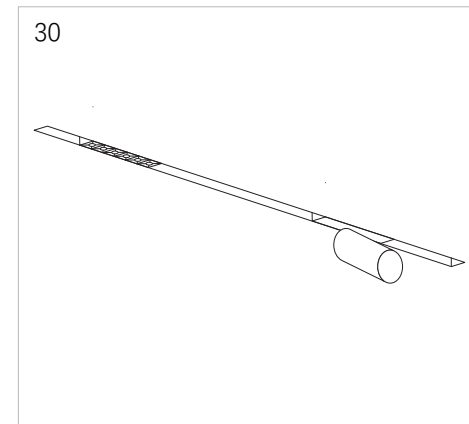
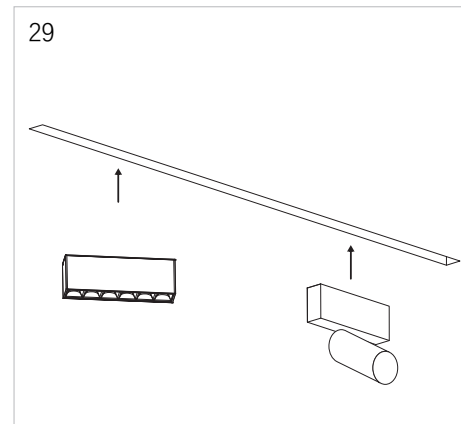
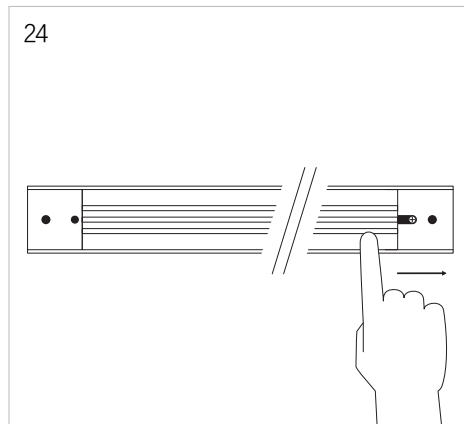
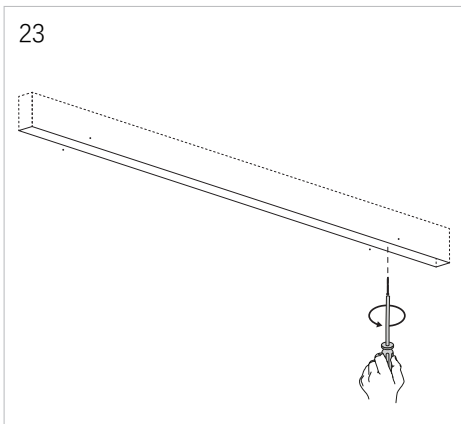
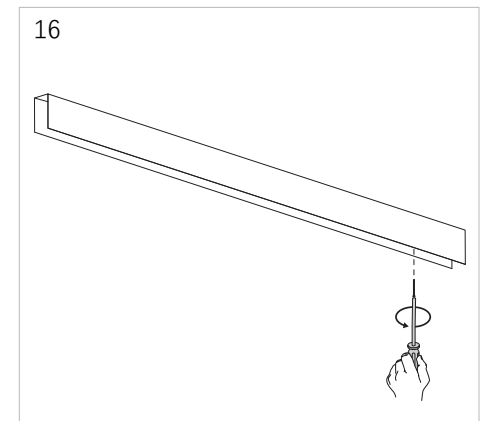
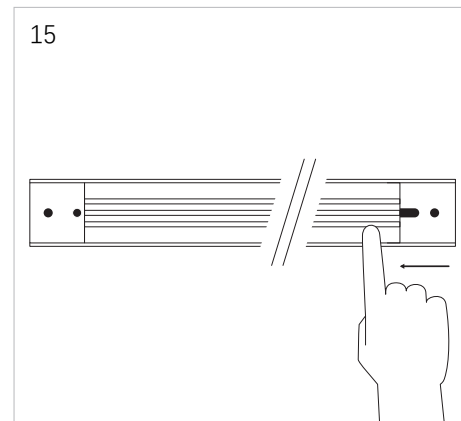
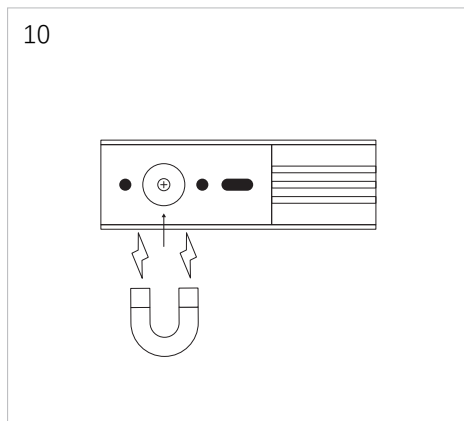
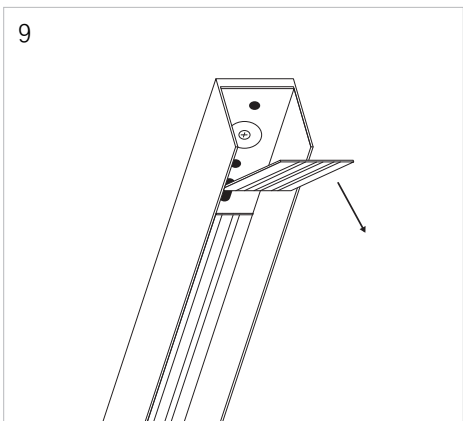
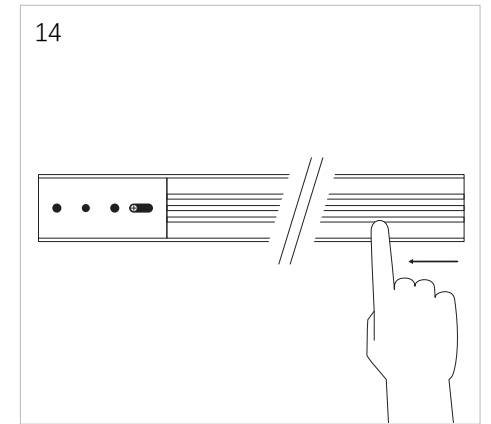
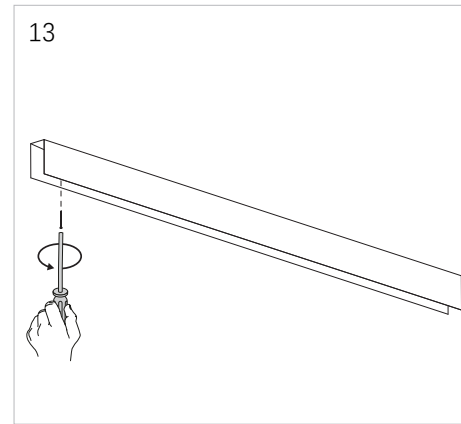
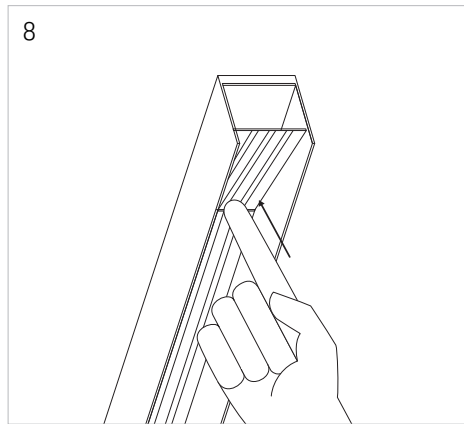
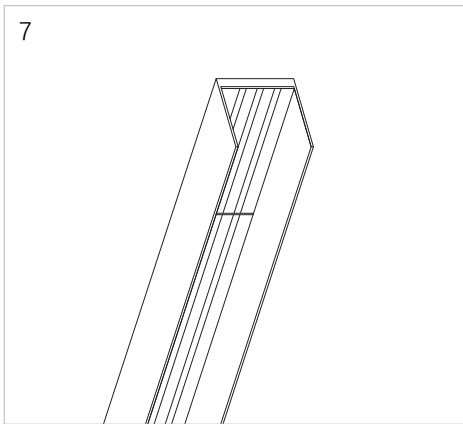
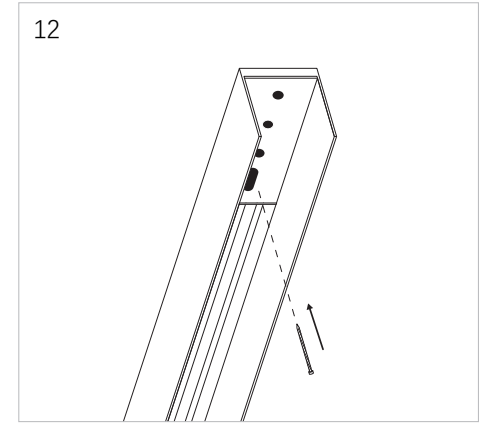
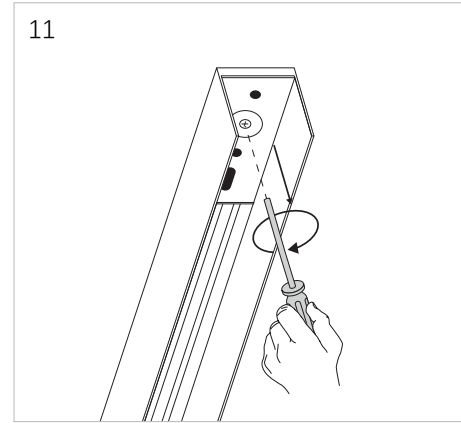
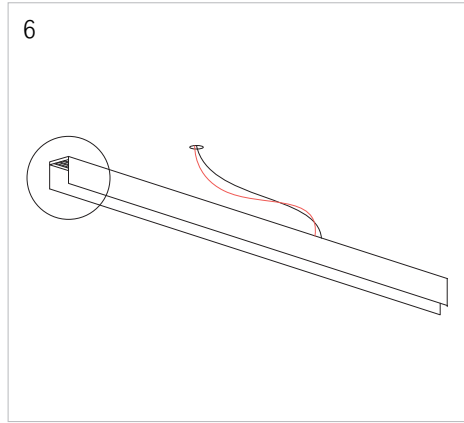
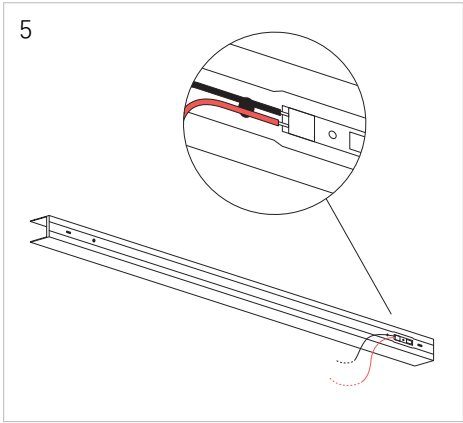


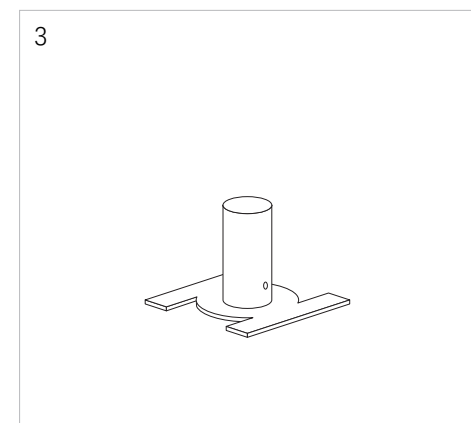
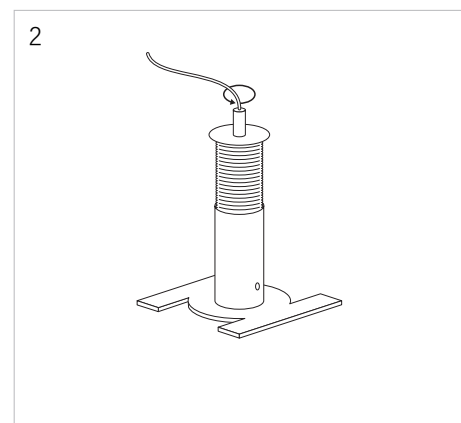
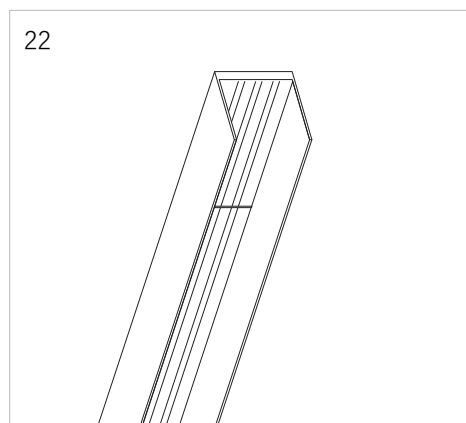
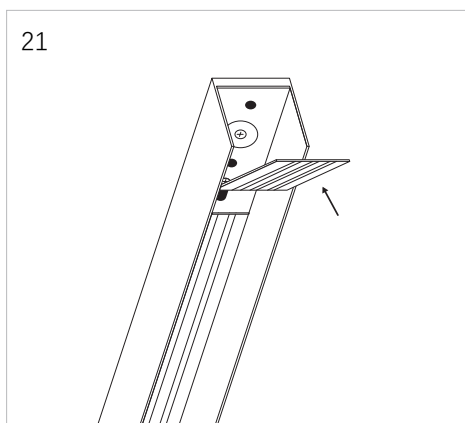
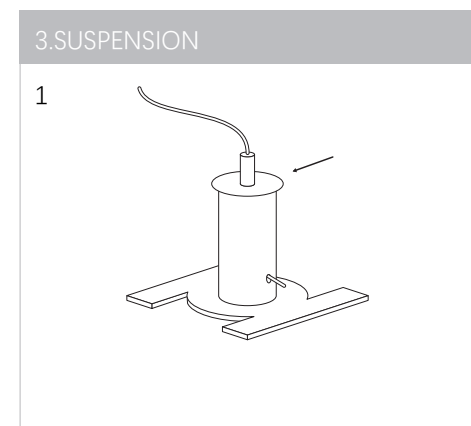
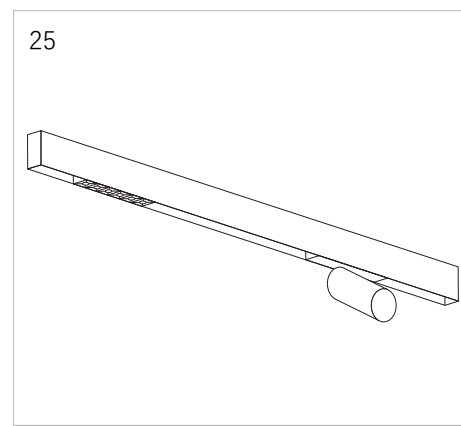
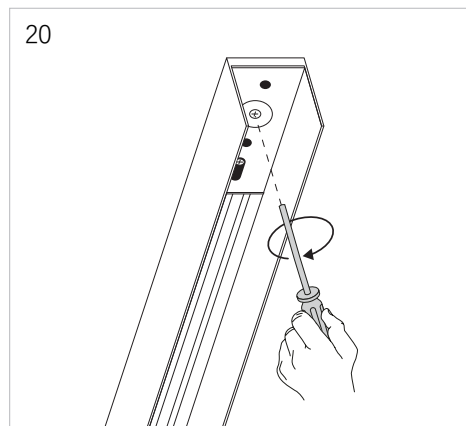
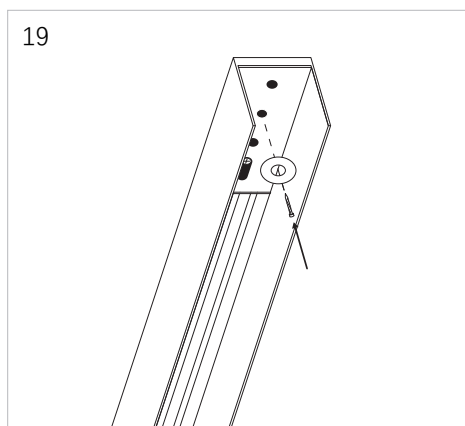
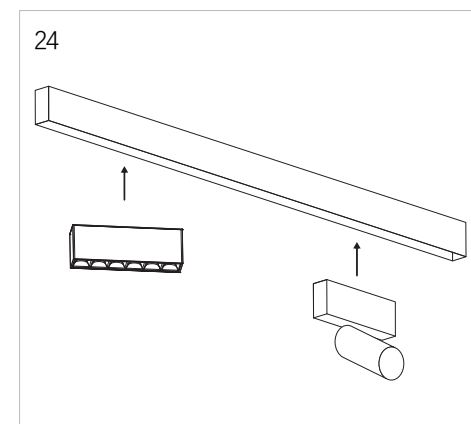
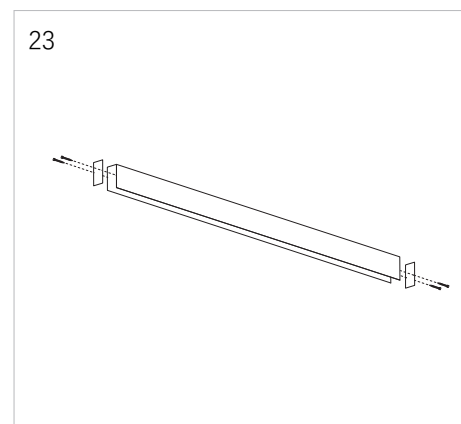
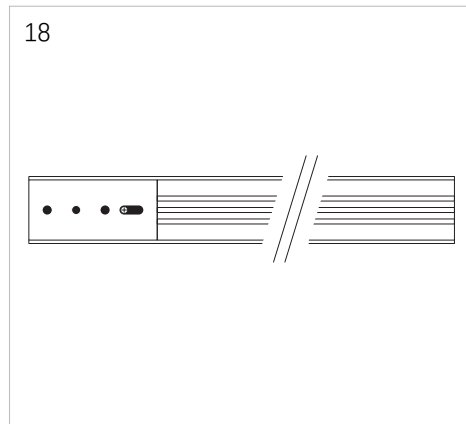
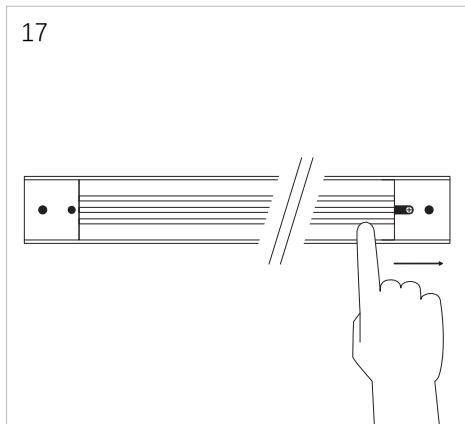
Magnetic track light system installation manual

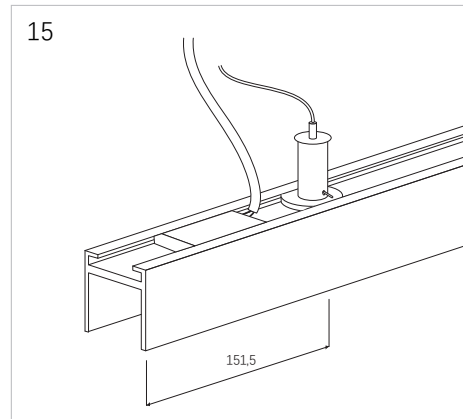
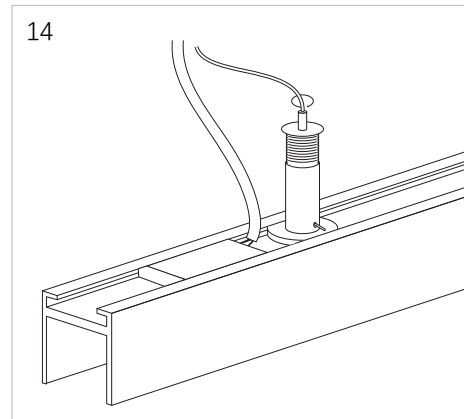
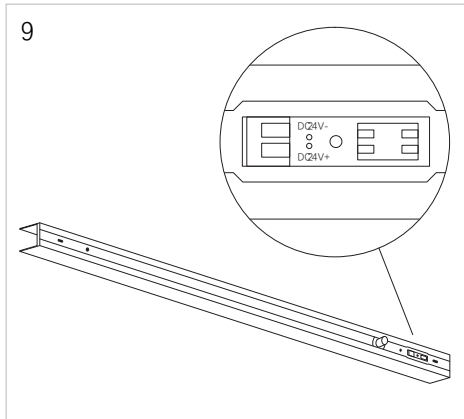
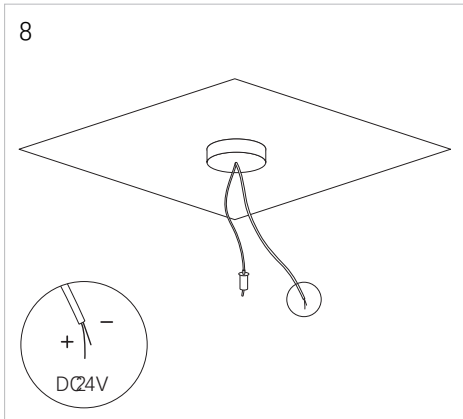
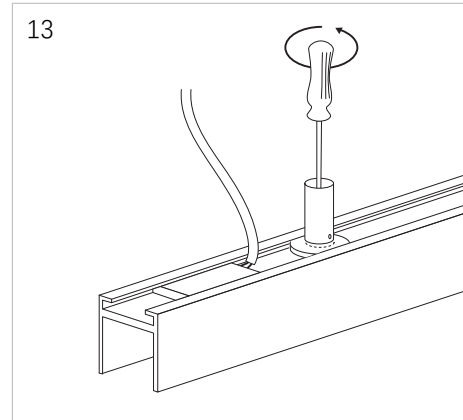
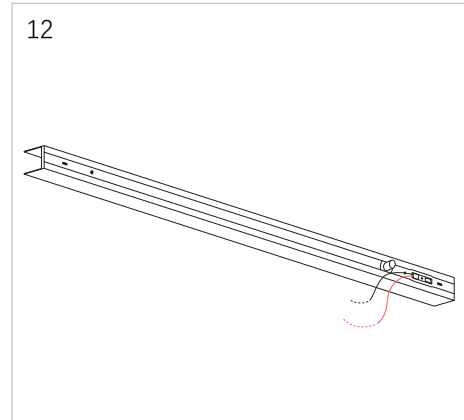
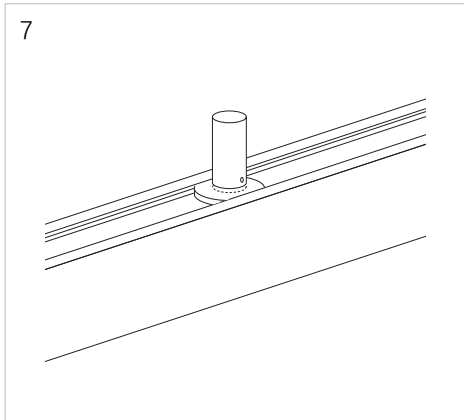
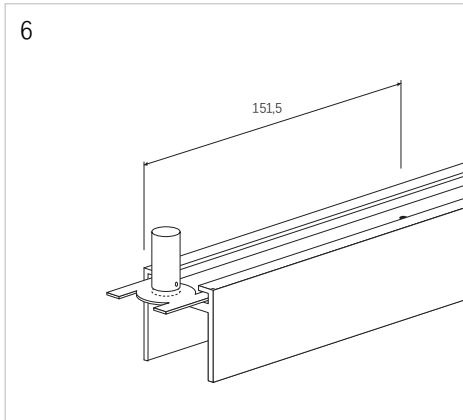
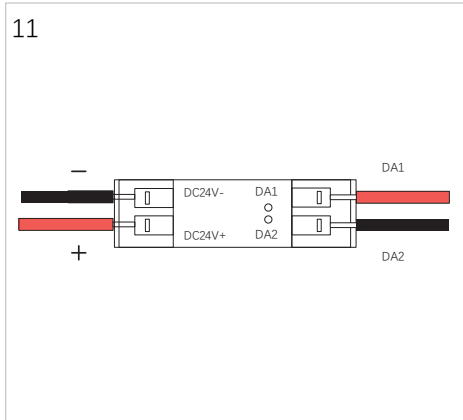
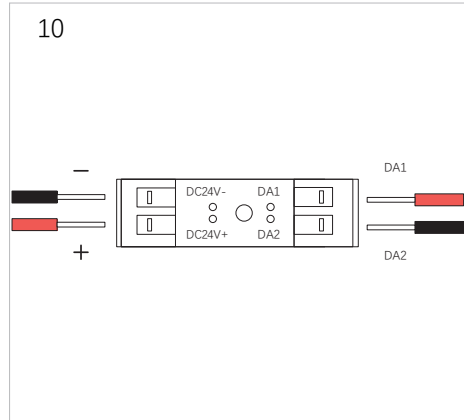
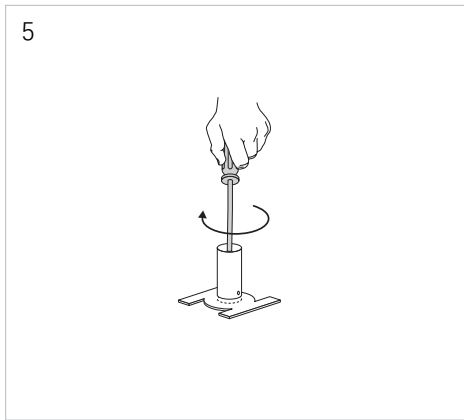
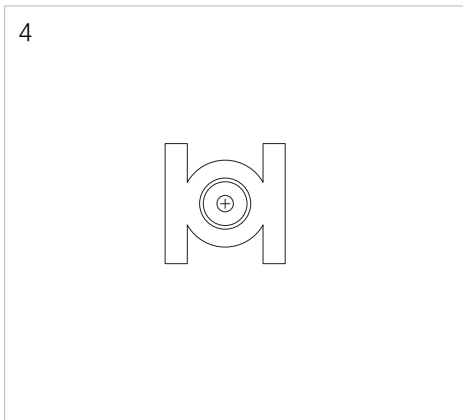




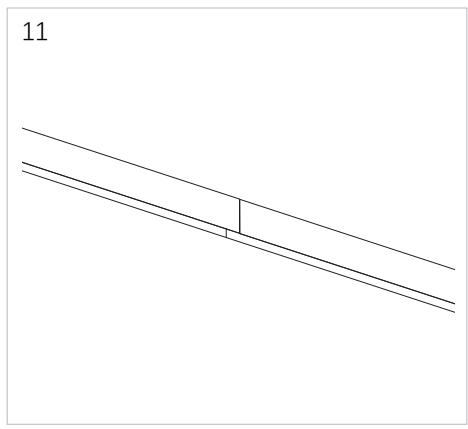
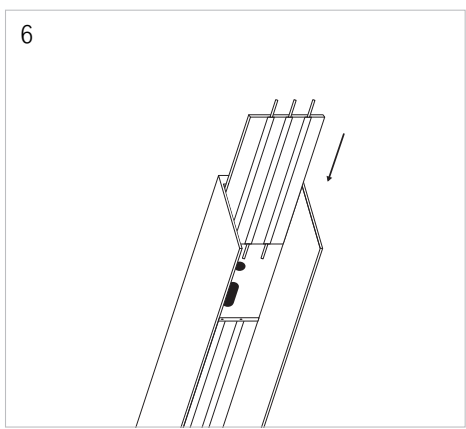
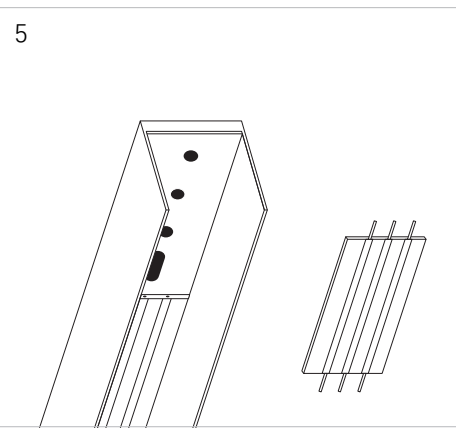
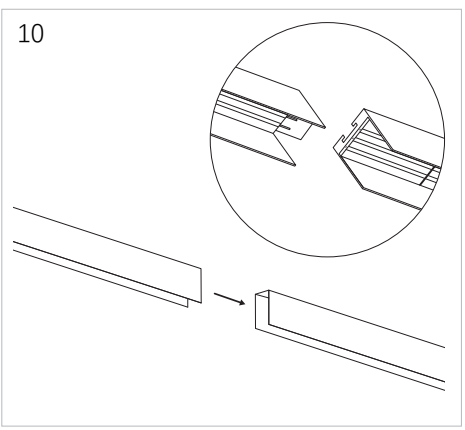
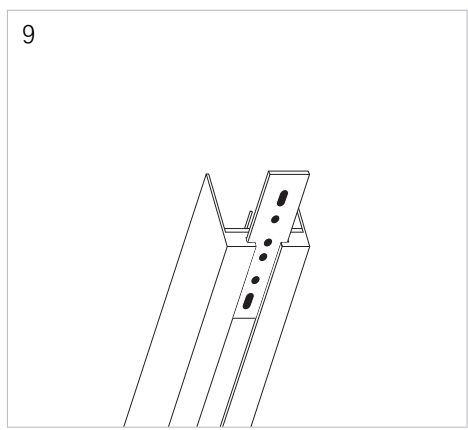
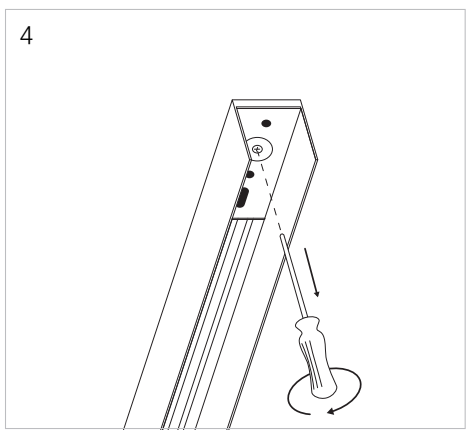
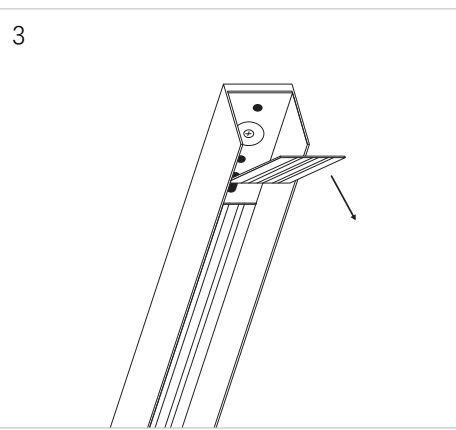
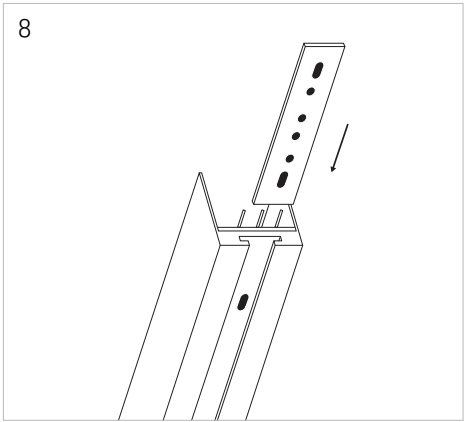
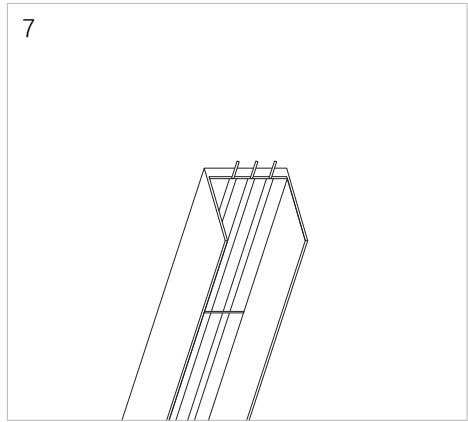
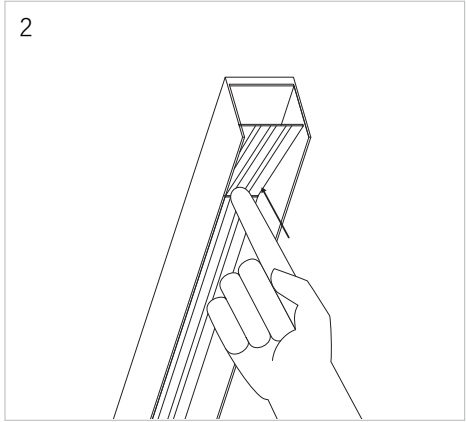
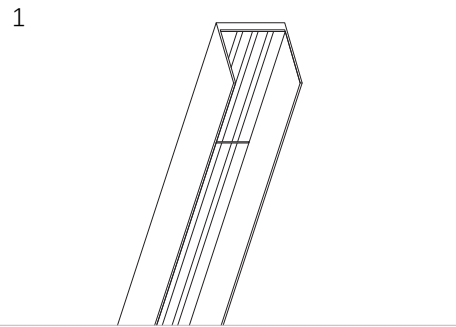




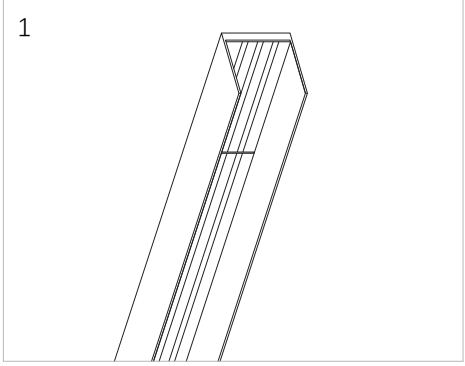


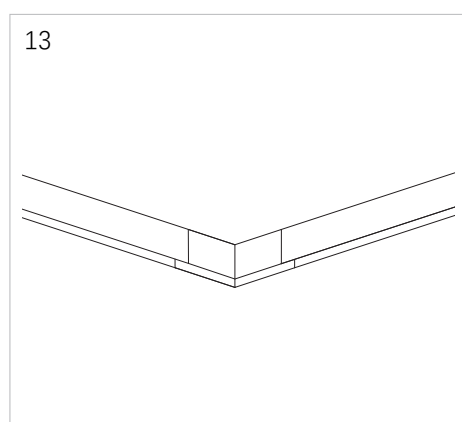
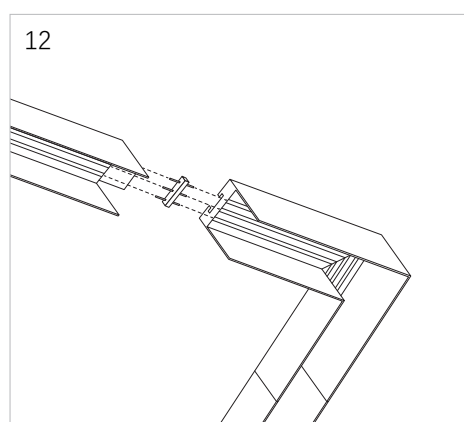
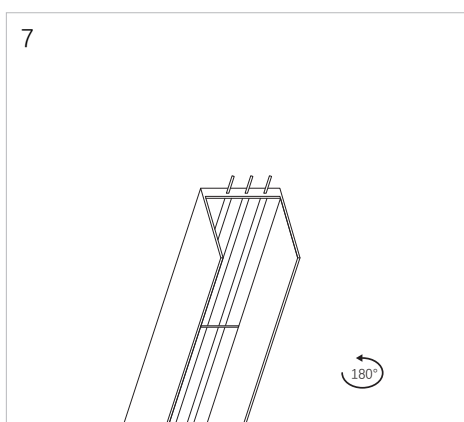
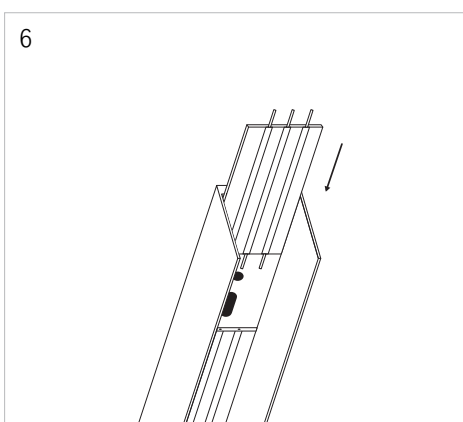
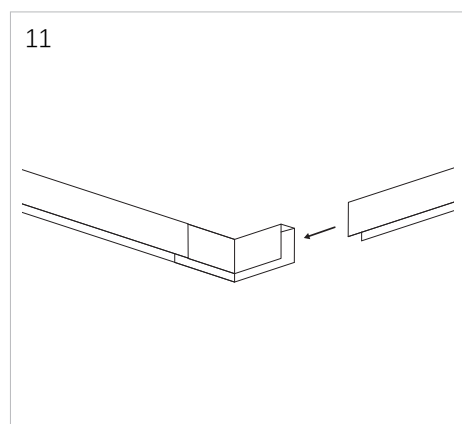
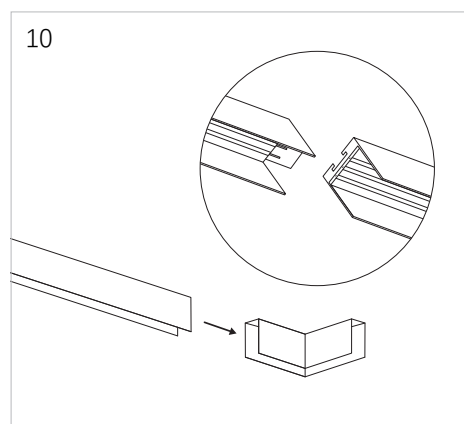
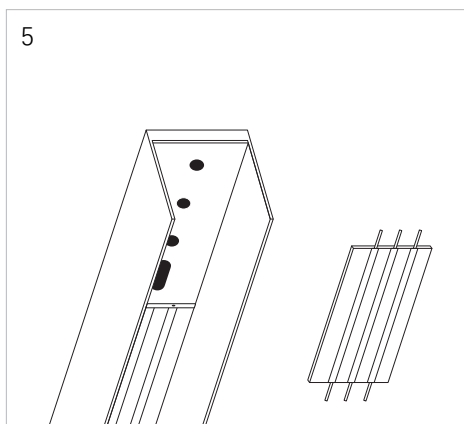
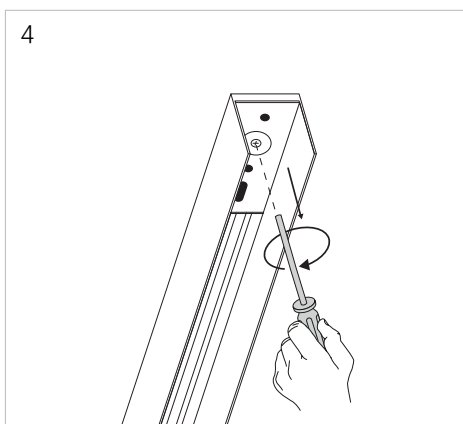
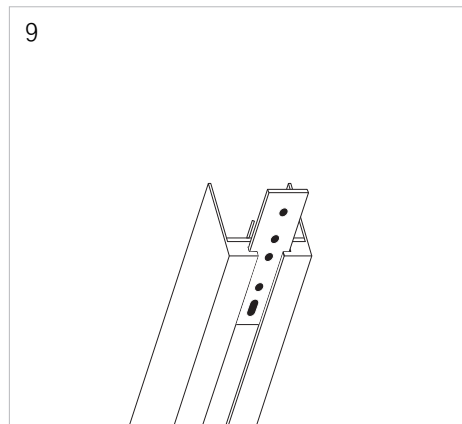
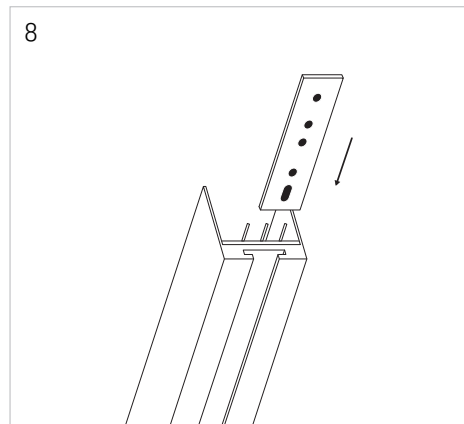
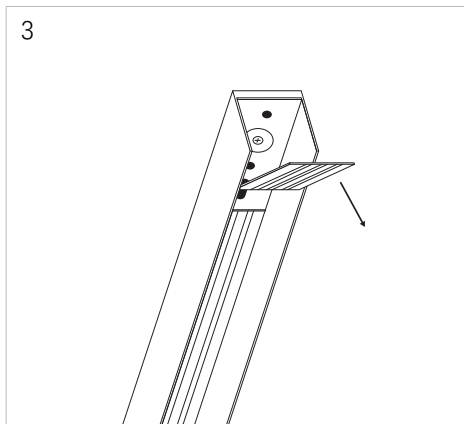
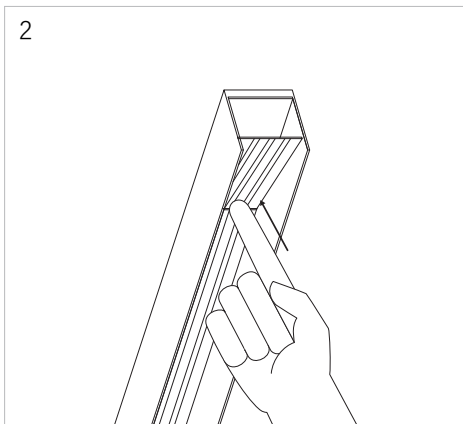


4. LINEAR CONNECTION

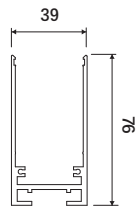
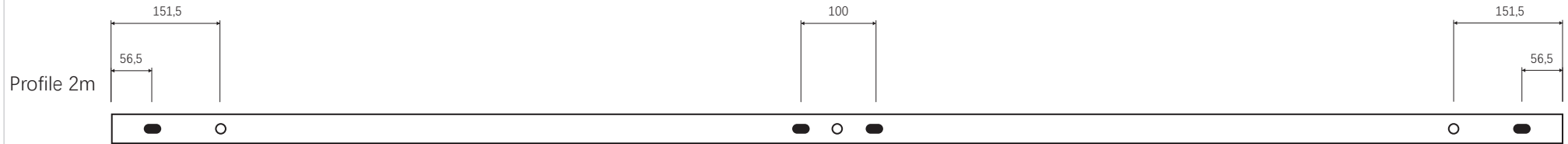


5. CORNER CONNECTION





TECHNICAL DRAWINGS



- Ceiling or recessed
- Suspension

