

# B&W LITERATURE PROOF



QG Job No: \_\_\_\_\_ Proof No: \_\_\_\_\_ Date: \_\_\_\_\_

Form No: \_\_\_\_\_ Rev. # \_\_\_\_\_ Model No: \_\_\_\_\_ No. of Pages: \_\_\_\_\_

**Please indicate on this proof if any corrections are to be made.  
After you have read this proof carefully, please sign on the appropriate line.**

---

## OK AS IS, NO CHANGES

Mktg. Initials \_\_\_\_\_ Date \_\_\_\_\_

PM Initials \_\_\_\_\_ Date \_\_\_\_\_

---

## CHANGES AS INDICATED

(An additional proof will be submitted)

Mktg. Initials \_\_\_\_\_ Date \_\_\_\_\_

PM Initials \_\_\_\_\_ Date \_\_\_\_\_

---

## THIS IS:

Purchase Order # \_\_\_\_\_

New Revision       All New

Accounting Code \_\_\_\_\_

If All New, does this replace another sheet?  No       Yes, Form No: \_\_\_\_\_ Project # \_\_\_\_\_

---

## BRAND VERSIONS NEEDED/AFFECTED:

Rheem Owned:  Rheem     Ruud     Friedrich     Russell By Rheem     Sure Comfort     WeatherKing

Private Label:     Durastar     Fujitsu     Mainline Elite     Mainline Performance     Thermal Zone

Submittal Sheet

---

## NOTES:



# MAINLINE® iR PACKAGED GAS ELECTRIC UNIT



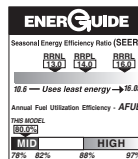
## RGE(A/X)ZS

Cooling Efficiencies: 15.2 SEER2  
Nominal Sizes: 2-5 Tons [7.0-17.6 kW]

Manufactured for  
**Mainline®**  
HVACmainline.com



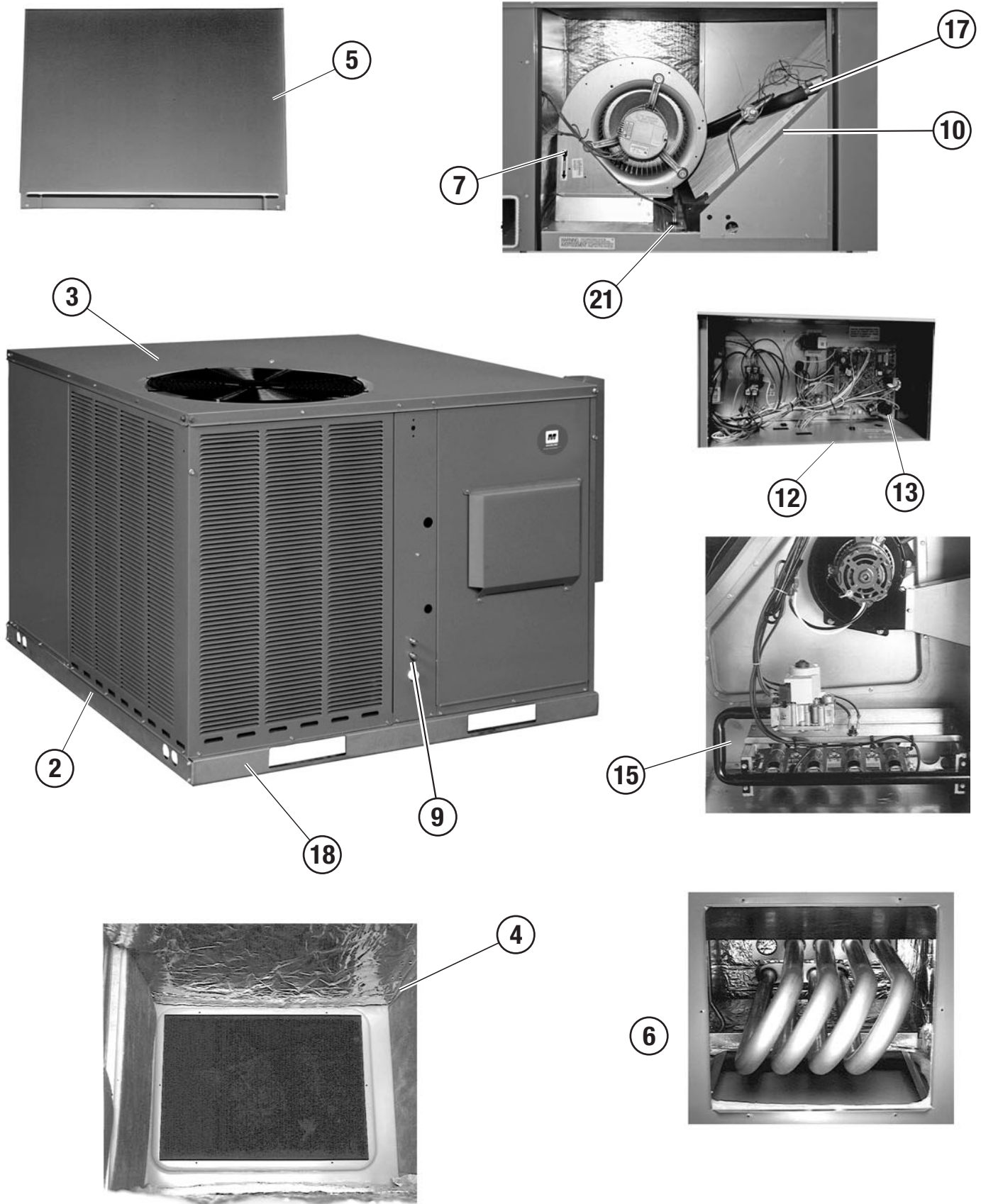
9001:2015



## Table of Contents

Unit Features & Benefits.....	3-4
Model Number Identification .....	5
Options .....	6
Dimensional Data.....	7-10
Typical Installations.....	11
General Data .....	12-15
General Data Notes.....	16
Gross Systems Performance Data .....	17-20
Airflow Targets .....	21
Electrical Data .....	22-23
Accessories.....	24-35
Limited Warranty.....	36

## Packaged Gas Electric Unit Features:



## FEATURES AND BENEFITS

1. The Two-Stage Compressor modulates between two capacity settings—67% and 100%—providing more precise temperature control, lower humidity and greater efficiency in comparison to single stage compressors. It uses 70% fewer moving parts which also increases efficiency and reliability.
2. Louvered condenser compartment for protecting the coil against yard hazards and/or weather extremes.
3. One-piece top with a drip flange to help keep water out of the unit.
4. Supply and return air openings feature a one-inch tall flange to prevent water migration into the ductwork.
5. Access panels are easily removable and provide access to necessary components for serviceability.
6. Side and down discharge options available on all models. All models are shipped ready for horizontal application.
7. Easily accessible blower section complete with slide-out blower.
8. Constant CFM Motor: Truly variable speed technology allows for ultimate humidity control, quieter sound levels and year-round energy savings.
9. Refrigerant connections are conveniently located for easy service diagnostics.
10. Micro Channel evaporator and condenser delivers superior performance with less refrigerant charge and less weight than conventional copper tube/aluminum fin coils. In addition the all aluminum construction has superior protection against formicary corrosion and aluminum tube rubbing potential. It is easier to clean and has a more robust surface.
11. Draft inducer motor is easily accessible from furnace compartment, designed specially for quiet reliable operation. Together with the draft inducer motor, the in shot gas burners and manifold effectively regulate the flow of gas for combustion.
12. Easily accessible control box.
13. Single point wiring simplifies installation.
14. With the BluArch™ Contractor & EcoNet® Apps, built-in EcoNet® & Bluetooth® technology makes monitoring, troubleshooting and repairing the product easier than ever before.
15. Direct spark ignition with remote flame sensing—provides years of worry-free operation
16. Dedicated heating speeds to maintain consistent performance via Constant CFM motor to keep temp rise at a comfortable level.
17. Thermal expansion valve standard on all models for superior superheat control, reliability, and energy efficiency at all operating conditions.
18. Filter drier standard on all models (not shown).
19. Rugged baserail included for improved installation and handling.
20. All units are complete factory charged and are factory quality run tested.
21. Molded compressor plugs.
22. A double sloped evaporator coil drain pan assures all water is removed from the unit to improve indoor air quality.

## Packaged Gas Electric

<u>R</u>	<u>GE</u>	<u>A</u>	<u>Z</u>	<u>S</u>	<u>024</u>	<u>A</u>	<u>J</u>	<u>V</u>	<u>06</u>	<u>1</u>	<u>C</u>	<u>A</u>
Brand	Product Category	Platform	Refrigerant	Tier	Capacity BTU/HR	Major Series	Voltage	Drive	Gas Heat Input	Gas Heat Configuration	Control	Minor Series
R - Mainline	GE - Gas Electric	A - Resipack Convertible X - Resipack Convertible	Z - R410A	S - Mid Tier (15.2 SEER2)	024 - 24,000 [7.03 kW] 036 - 36,000 [10.55 kW] 048 - 48,000 [14.07 kW] 060 - 60,000 [17.58 kW]	A - 1st Design	J - 1ph, 208 - 230/60 C - 3ph, 208 - 230/60	V - Constant Volume	06 - 60K BTU/H 08 - 80K BTU/H 10 - 100K BTU/H	1 - Single Stage X - Single Stage Low NOx 2 - Two Stage T - Two Stage Low NOx	C - Communicating	A - 1st Design

[ ] Designates Metric Conversions

Available Models	
Standard	Low NOx (40ng/J)
RGEAZS024AJV061CA	RGEAZS024AJV06XCA
RGEAZS036ACV061CA	RGEAZS036ACV06XCA
RGEAZS036ACV081CA	RGEAZS036ACV08XCA
RGEAZS036ACV101CA	RGEAZS036ACV10XCA
RGEAZS036AJV061CA	RGEAZS036AJV06XCA
RGEAZS036AJV081CA	RGEAZS036AJV08XCA
RGEAZS036AJV101CA	RGEAZS036AJV10XCA
RGEXZS048ACV082CA	RGEXZS048ACV08TCA
RGEXZS048ACV102CA	RGEXZS048ACV10TCA
RGEXZS048AJV082CA	RGEXZS048AJV08TCA
RGEXZS048AJV102CA	RGEXZS048AJV10TCA
RGEXZS060ACV082CA	RGEXZS060ACV08TCA
RGEXZS060ACV102CA	RGEXZS060ACV10TCA
RGEXZS060AJV082CA	RGEXZS060AJV08TCA
RGEXZS060AJV102CA	RGEXZS060AJV10TCA

## Instructions for Factory Installed Option(s) Selection

**Note:** Three characters following the model number will be utilized to designate a factory-installed option or combination of options. If no factory option(s) is required, nothing follows the model number.

After a basic rooftop model is selected, choose a *three-character* option code from the FACTORY INSTALLED OPTION SELECTION TABLE.

### FACTORY INSTALLED OPTION CODES

Option Code	Stainless Steel Heat Exchanger
AJA	X

"X" indicates factory installed option.

Example: No Option

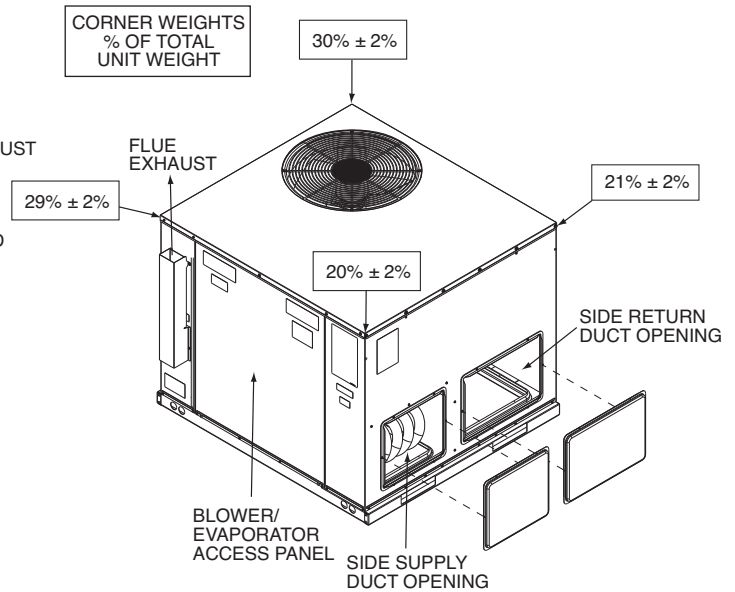
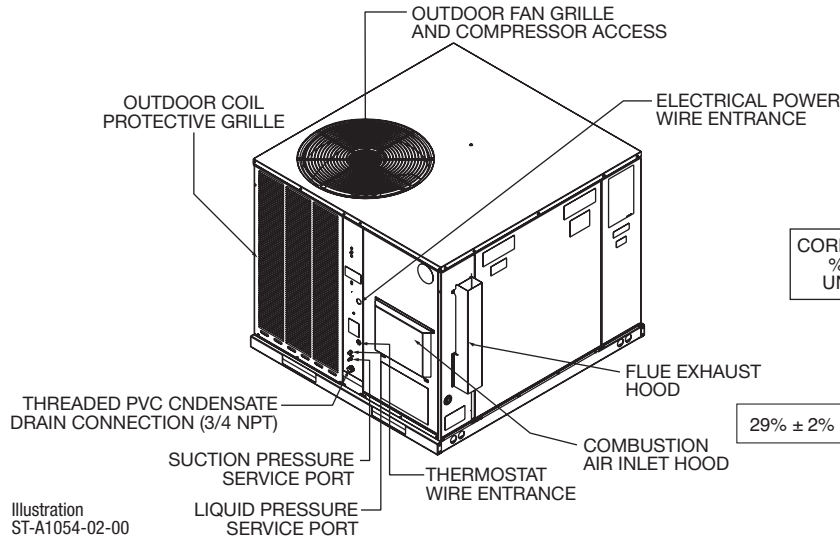
RGEAZS036AJV081CA

Example: Option with Stainless Steel Heat Exchanger

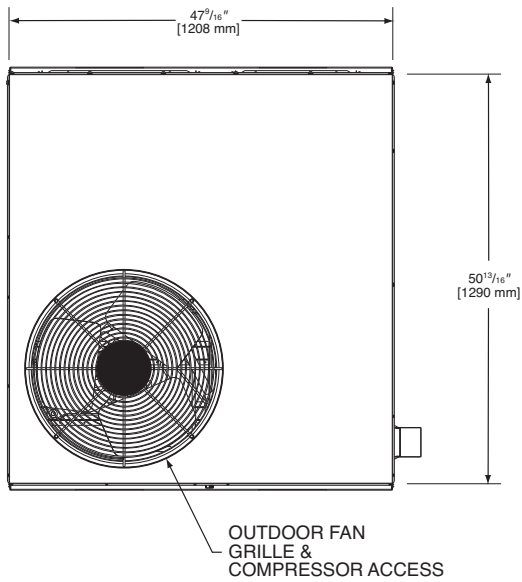
RGEAZS036AJV081CAAJA

**NOTES:** Factory installed economizer is not available.

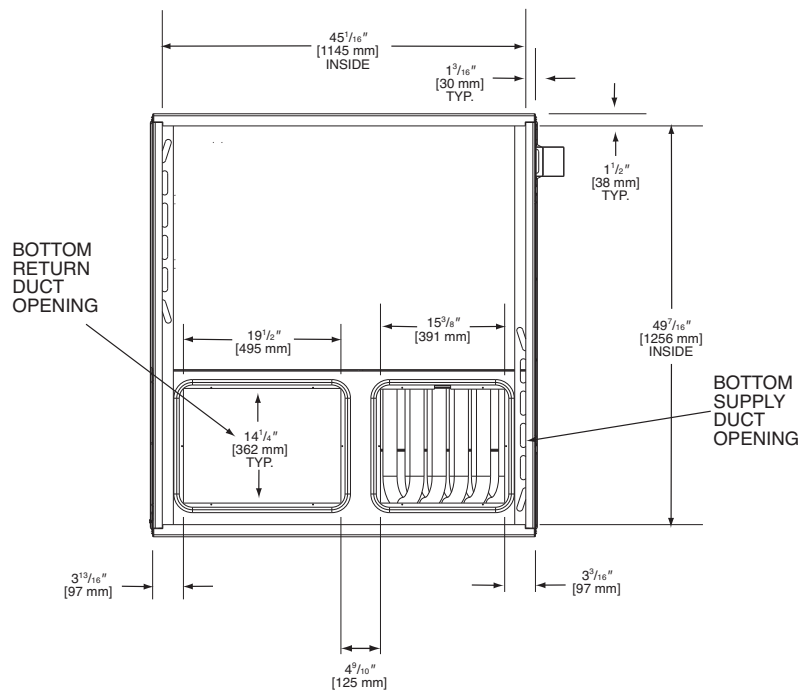
# UNIT DIMENSIONS RGEAZS



## TOP VIEW



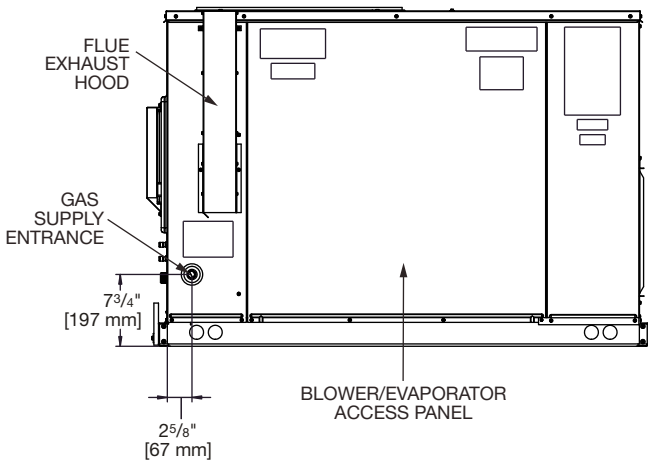
## BOTTOM VIEW



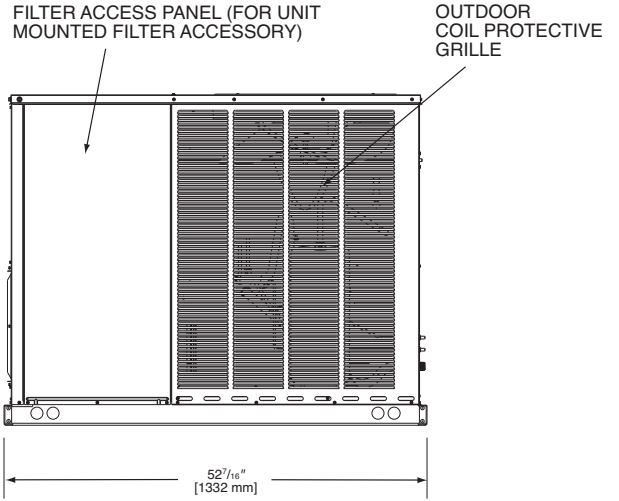
[ ] Designates Metric Conversions



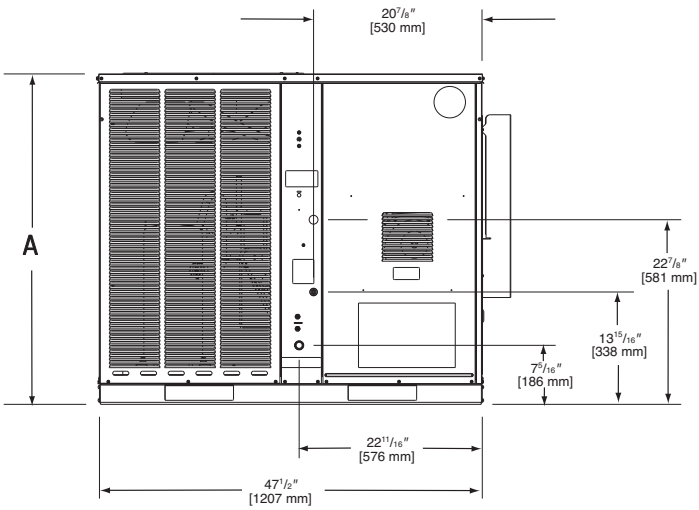
### SIDE VIEW



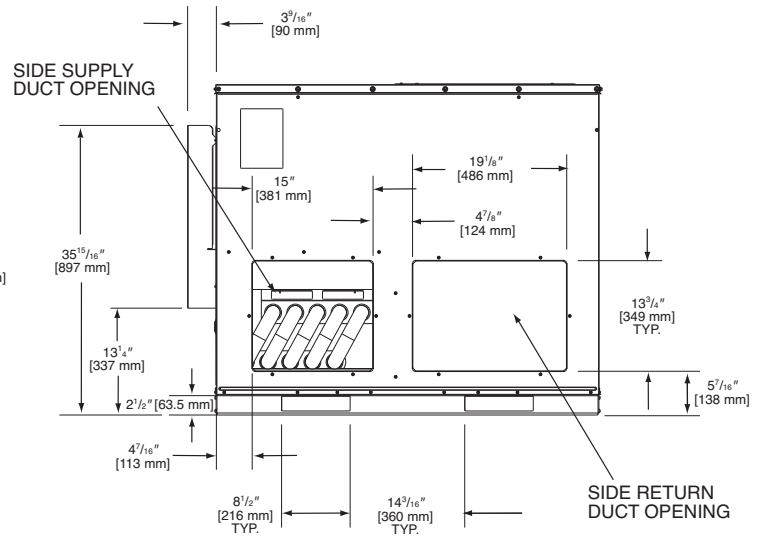
### SIDE VIEW



### FRONT VIEW



### BACK VIEW

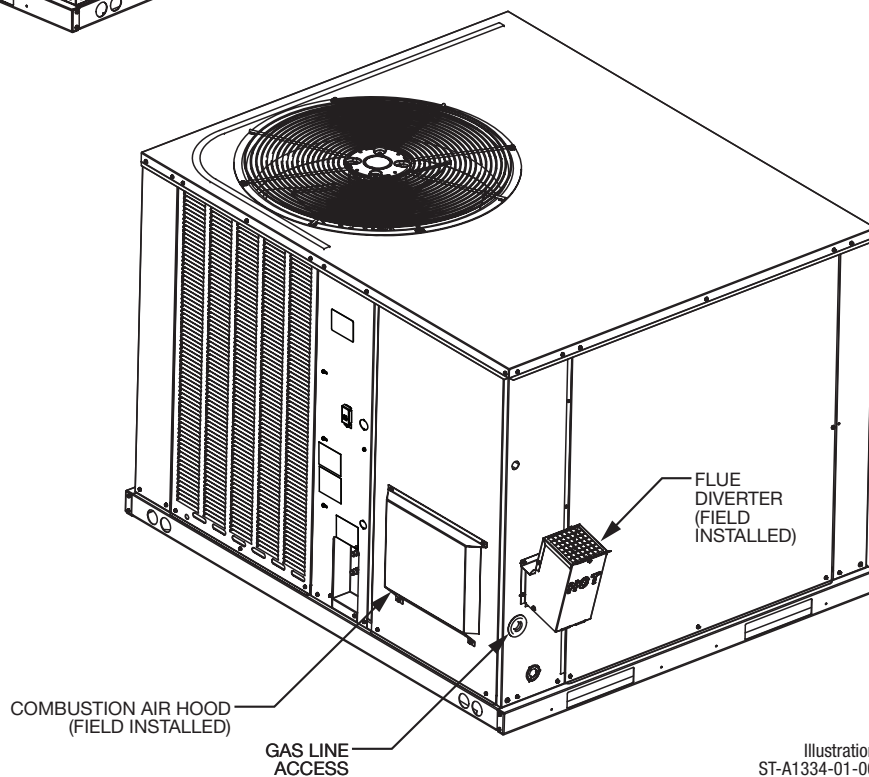
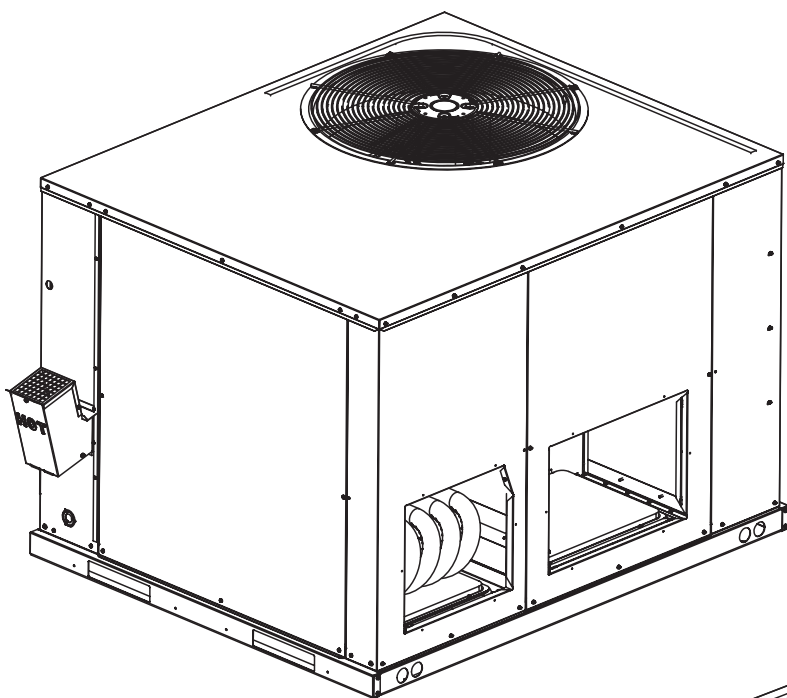


SHOWN WITH DUCT COVERS REMOVED.

Models RGEAZS	Height "A"
024	35 <sup>15</sup> / <sub>16</sub> "
036	41"

[ ] Designates Metric Conversions

# UNIT DIMENSIONS RGEXZS



[ ] Designates Metric Conversions

Illustration  
ST-A1334-01-00

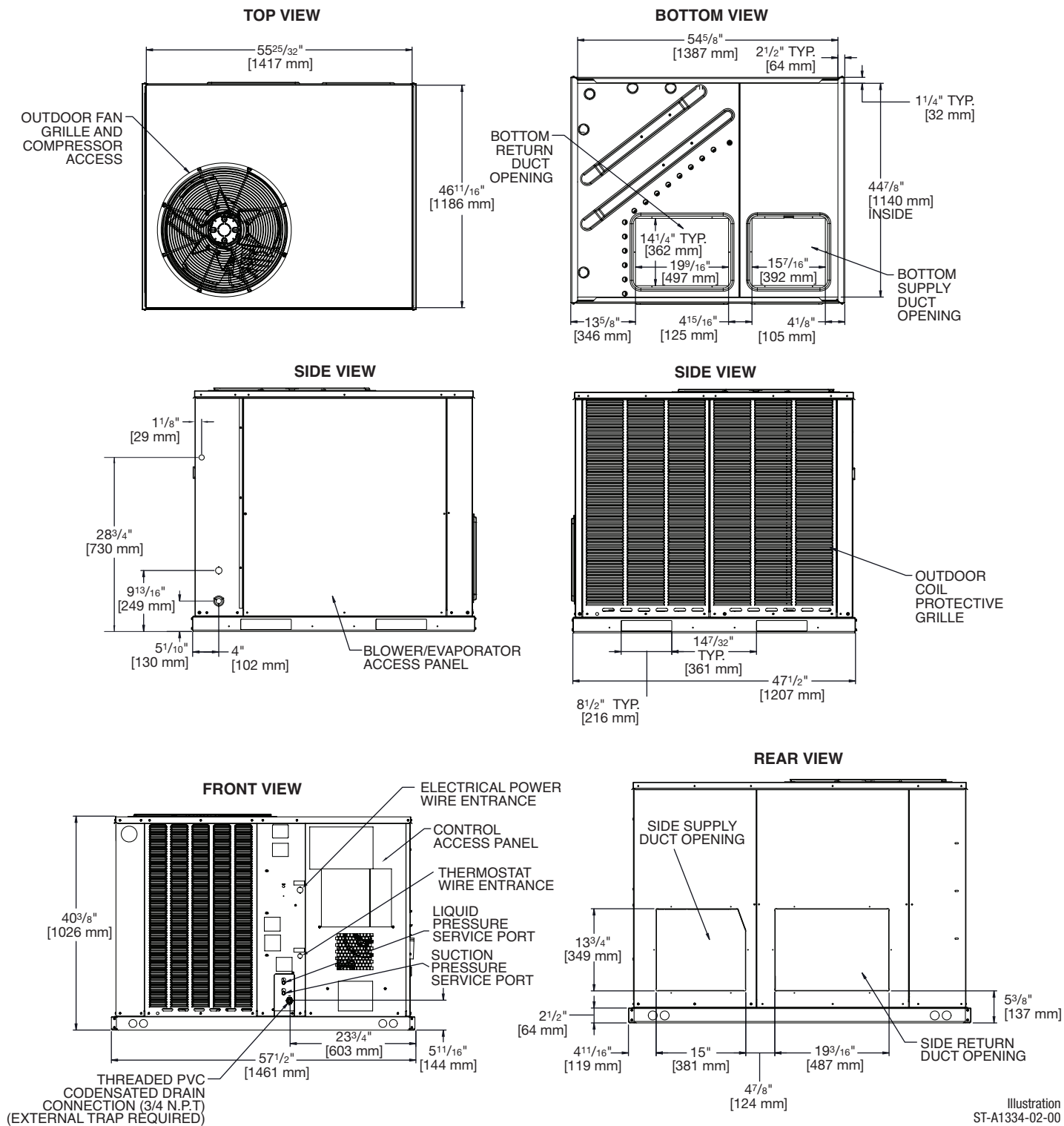
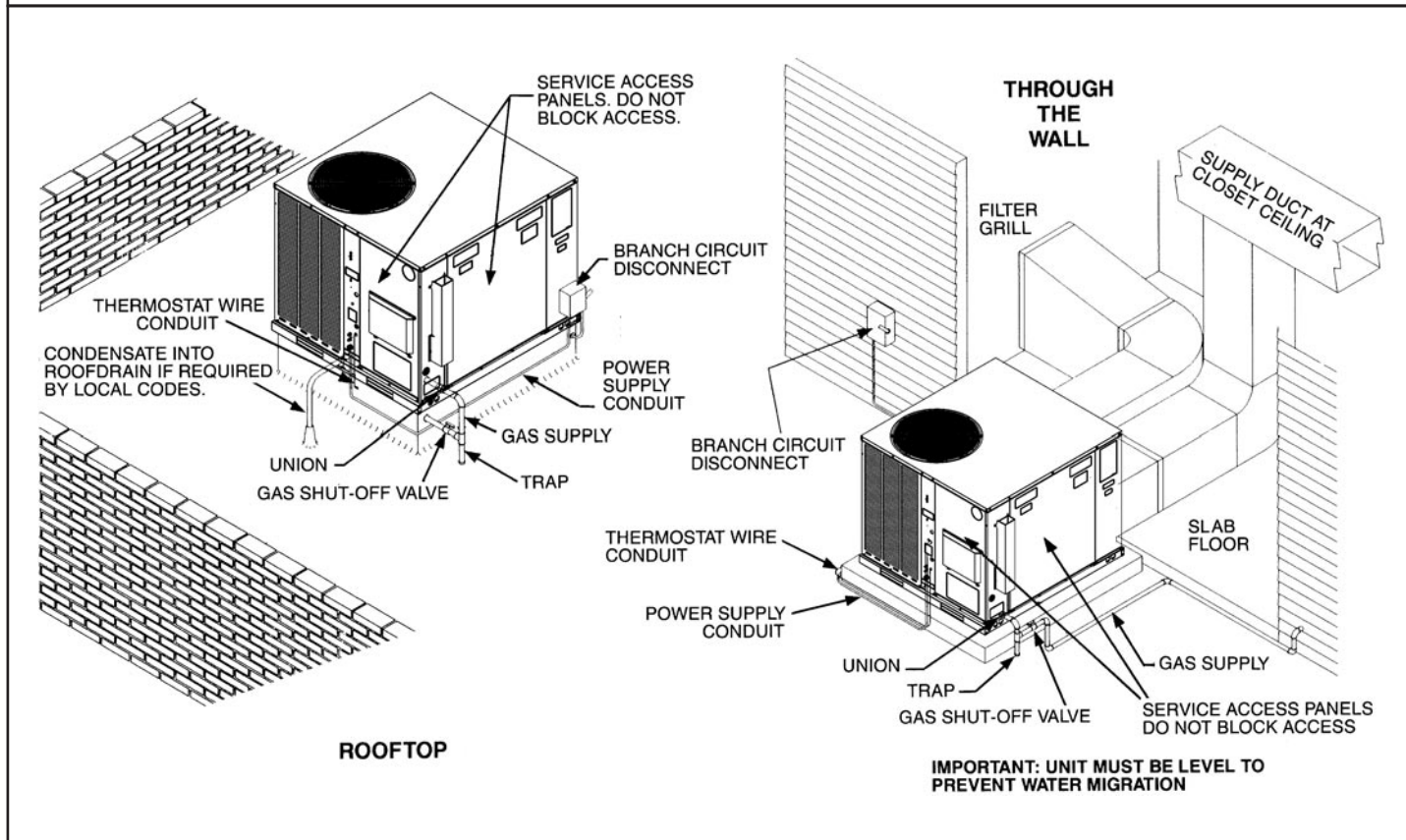
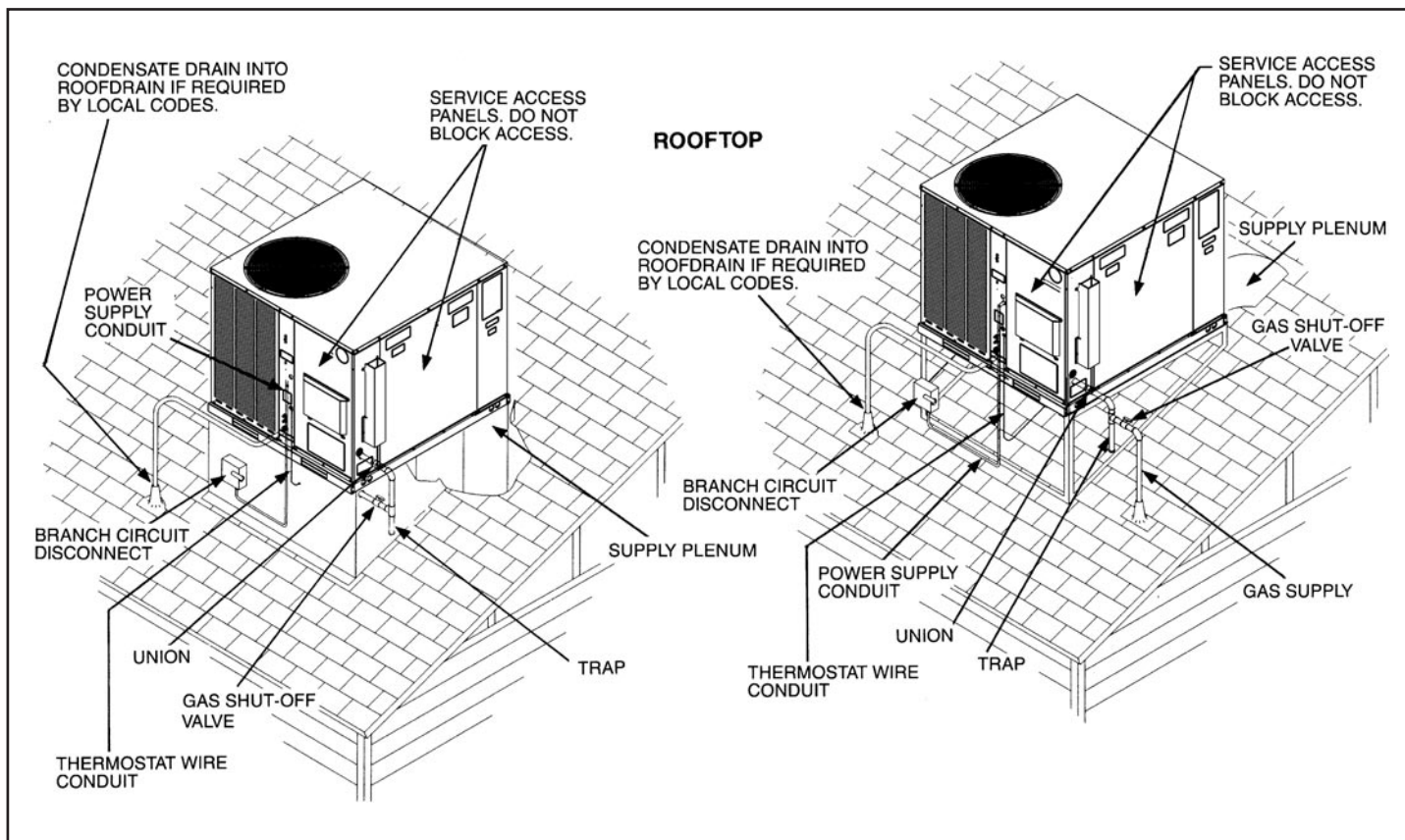


Illustration  
ST-A1334-02-00

[ ] Designates Metric Conversions



[ ] Designates Metric Conversions

## NOMINAL SIZES 2-5 TONS [7.0-17.6 kW]

Model RGE(A/X)ZS Series	024AJV06	036ACV06	036ACV08	036ACV10
<b>Cooling Performance<sup>1</sup></b>				<b>CONTINUED</b> →
Gross Cooling Capacity Btu [kW]	24,200 [7.09]	35,800 [10.49]	35,800 [10.49]	35,800 [10.49]
EER2/SEER2 <sup>2</sup>	11.5/15.2	12/16	12/16	12/16
Nominal CFM/AHRI Rated CFM [L/s]	800/815 [378/385]	1200/1200 [566/566]	1200/1200 [566/566]	1200/1200 [566/566]
AHRI Net Cooling Capacity Btu [kW]	23,400 [6.86]	35,000 [10.25]	35,000 [10.25]	35,000 [10.25]
Net Sensible Capacity Btu [kW]	16,600 [4.86]	25,800 [7.56]	25,800 [7.56]	25,800 [7.56]
Net Latent Capacity Btu [kW]	6,800 [1.99]	9,200 [2.7]	9,200 [2.7]	9,200 [2.7]
Net System Power kW	1.98	2.86	2.86	2.86
<b>Heating Performance (Gas)<sup>4</sup></b>				
Heating Input Btu [kW]	60,000 [17.58]	60,000 [17.58]	80,000 [23.44]	100,000 [29.3]
Heating Output Btu [kW]	48,600 [14.24]	48,600 [14.24]	64,800 [18.99]	81,000 [23.73]
Temperature Rise Range °F [°C]	40-70 [22-38]	40-70 [22-38]	35-65 [19-36]	45-75 [25-41]
AFUE %	81	81	81	81
Steady State Efficiency (%)	81	81	81	81
No. Burners	3	3	4	5
No. Stages	1	1	1	1
Gas Connection Pipe Size in. [mm]	0.5 [12.7]	0.5 [12.7]	0.5 [12.7]	0.5 [12.7]
<b>Compressor</b>				
No./Type	1/Scroll	1/Scroll	1/Scroll	1/Scroll
<b>Outdoor Sound Rating (dB)<sup>5</sup></b>	74	71	71	71
<b>Outdoor Coil - Fin Type</b>	Louvered	Louvered	Louvered	Louvered
Tube Type	MicroChannel	MicroChannel	MicroChannel	MicroChannel
MicroChannel Depth in. [mm]	0.709 [18]	0.472 [12]	0.472 [12]	0.472 [12]
Face Area sq. ft. [sq. m]	9.77 [0.91]	16.26 [1.51]	16.26 [1.51]	16.26 [1.51]
Rows / FPI [FPcm]	1 / 23 [9]	1 / 23 [9]	1 / 23 [9]	1 / 23 [9]
<b>Indoor Coil - Fin Type</b>	Louvered	Louvered	Louvered	Louvered
Tube Type	MicroChannel	MicroChannel	MicroChannel	MicroChannel
MicroChannel Depth in. [mm]	1 [25.4]	1 [25.4]	1 [25.4]	1 [25.4]
Face Area sq. ft. [sq. m]	3.54 [0.33]	4 [0.37]	4 [0.37]	4 [0.37]
Rows / FPI [FPcm]	1 / 20 [8]	1 / 20 [8]	1 / 20 [8]	1 / 20 [8]
Refrigerant Control	TX Valves	TX Valves	TX Valves	TX Valves
Drain Connection No./Size in. [mm]	1/0.75 [19.05]	1/0.75 [19.05]	1/0.75 [19.05]	1/0.75 [19.05]
<b>Outdoor Fan - Type</b>	Propeller	Propeller	Propeller	Propeller
No. Used/Diameter in. [mm]	1/22 [558.8]	1/22 [558.8]	1/22 [558.8]	1/22 [558.8]
Drive Type/No. Speeds	Direct/1	Direct/1	Direct/1	Direct/1
CFM [L/s]	2500 [1180]	3250 [1534]	3250 [1534]	3250 [1534]
No. Motors/HP	1 at 1/6 HP	1 at 1/3 HP	1 at 1/3 HP	1 at 1/3 HP
Motor RPM	825	825	825	825
<b>Indoor Fan - Type</b>	FC Centrifugal	FC Centrifugal	FC Centrifugal	FC Centrifugal
No. Used/Diameter in. [mm]	1/10x9 [254x229]	1/12x9 [305x229]	1/12x9 [305x229]	1/12x9 [305x229]
Drive Type	Direct	Direct	Direct	Direct
No. Speeds	Multiple	Multiple	Multiple	Multiple
No. Motors	1	1	1	1
Motor HP	1/3	1	1	1
Motor RPM	1050	1050	1050	1050
Motor Frame Size	48	48	48	48
<b>Filter - Type</b>	Field Supplied	Field Supplied	Field Supplied	Field Supplied
Furnished	No	No	No	No
(NO.) Size Recommended in. [mm x mm x mm]	(1)1x24x24 [25x610x610]	(1)1x24x24 [25x610x610]	(1)1x24x24 [25x610x610]	(1)1x24x24 [25x610x610]
<b>Refrigerant Charge Oz. [g]</b>	48 [1361]	60 [1701]	60 [1701]	60 [1701]
<b>Weights</b>				
Net Weight lbs. [kg]	403 [183]	440 [200]	445 [202]	450 [204]
Ship Weight lbs. [kg]	413 [187]	450 [204]	455 [206]	460 [209]

See Page 16 for Notes.

[ ] Designates Metric Conversions

## NOMINAL SIZES 2-5 TONS [7.0-17.6 kW]

Model RGE(A/X)ZS Series	036AJV06	036AJV08	036AJV10
<b>Cooling Performance<sup>1</sup></b>			
Gross Cooling Capacity Btu [kW]	36,200 [10.61]	36,200 [10.61]	36,200 [10.61]
EER2/SEER2 <sup>2</sup>	11.5/15.2	11.5/15.2	11.5/15.2
Nominal CFM/AHRI Rated CFM [L/s]	1200/1200 [566/566]	1200/1200 [566/566]	1200/1200 [566/566]
AHRI Net Cooling Capacity Btu [kW]	35,000 [10.25]	35,000 [10.25]	35,000 [10.25]
Net Sensible Capacity Btu [kW]	25,800 [7.56]	25,800 [7.56]	25,800 [7.56]
Net Latent Capacity Btu [kW]	9,200 [2.7]	9,200 [2.7]	9,200 [2.7]
Net System Power kW	2.94	2.94	2.94
<b>Heating Performance (Gas)<sup>4</sup></b>			
Heating Input Btu [kW]	60,000 [17.58]	80,000 [23.44]	100,000 [29.3]
Heating Output Btu [kW]	49,000 [14.36]	64,800 [18.99]	81,000 [23.73]
Temperature Rise Range °F [°C]	40-70 [22-38]	35-65 [19-36]	45-75 [25-41]
AFUE %	81	81	81
Steady State Efficiency (%)	81	81	81
No. Burners	3	4	5
No. Stages	1	1	1
Gas Connection Pipe Size in. [mm]	0.5 [12.7]	0.5 [12.7]	0.5 [12.7]
<b>Compressor</b>			
No./Type	1/Scroll	1/Scroll	1/Scroll
<b>Outdoor Sound Rating (dB)<sup>5</sup></b>			
	71	71	71
<b>Outdoor Coil - Fin Type</b>			
Tube Type	Louvered	Louvered	Louvered
MicroChannel Depth in. [mm]	0.472 [12]	0.472 [12]	0.472 [12]
Face Area sq. ft. [sq. m]	16.26 [1.51]	16.26 [1.51]	16.26 [1.51]
Rows / FPI [FPcm]	1 / 23 [9]	1 / 23 [9]	1 / 23 [9]
<b>Indoor Coil - Fin Type</b>			
Tube Type	Louvered	Louvered	Louvered
MicroChannel Depth in. [mm]	1 [25.4]	1 [25.4]	1 [25.4]
Face Area sq. ft. [sq. m]	4 [0.37]	4 [0.37]	4 [0.37]
Rows / FPI [FPcm]	1 / 20 [8]	1 / 20 [8]	1 / 20 [8]
Refrigerant Control	TX Valves	TX Valves	TX Valves
Drain Connection No./Size in. [mm]	1/0.75 [19.05]	1/0.75 [19.05]	1/0.75 [19.05]
<b>Outdoor Fan - Type</b>			
No. Used/Diameter in. [mm]	Propeller	Propeller	Propeller
Drive Type/No. Speeds	1/22 [558.8]	1/22 [558.8]	1/22 [558.8]
CFM [L/s]	Direct/1	Direct/1	Direct/1
No. Motors/HP	3250 [1534]	3250 [1534]	3250 [1534]
Motor RPM	1 at 1/3 HP	1 at 1/3 HP	1 at 1/3 HP
	825	825	825
<b>Indoor Fan - Type</b>			
No. Used/Diameter in. [mm]	FC Centrifugal	FC Centrifugal	FC Centrifugal
Drive Type	1/12x9 [305x229]	1/12x9 [305x229]	1/12x9 [305x229]
No. Speeds	Direct	Direct	Direct
No. Motors	Multiple	Multiple	Multiple
Motor HP	1	1	1
Motor RPM	1	1	1
Motor Frame Size	1050	1050	1050
	48	48	48
<b>Filter - Type</b>			
Furnished	Field Supplied	Field Supplied	Field Supplied
(NO.) Size Recommended in. [mm x mm x mm]	No	No	No
	(1)1x24x24 [25x610x610]	(1)1x24x24 [25x610x610]	(1)1x24x24 [25x610x610]
<b>Refrigerant Charge Oz. [g]</b>			
	60 [1701]	60 [1701]	60 [1701]
<b>Weights</b>			
Net Weight lbs. [kg]	440 [200]	445 [202]	450 [204]
Ship Weight lbs. [kg]	450 [204]	455 [206]	460 [209]

CONTINUED →

See Page 16 for Notes.

[ ] Designates Metric Conversions

## NOMINAL SIZES 2-5 TONS [7.0-17.6 kW]

Model RGE(A/X)ZS Series	048ACV08	048ACV10	048AJV08	048AJV10
<b>Cooling Performance<sup>1</sup></b>				
Gross Cooling Capacity Btu [kW]	48,500 [14.21]	48,500 [14.21]	49,000 [14.36]	49,000 [14.36]
EER2/SEER2 <sup>2</sup>	12/16	12/16	11.5/15.2	11.5/15.2
Nominal CFM/AHRI Rated CFM [L/s]	1600/1525 [755/720]	1600/1525 [755/720]	1600/1525 [755/720]	1600/1525 [755/720]
AHRI Net Cooling Capacity Btu [kW]	47,500 [13.92]	47,500 [13.92]	47,500 [13.92]	47,500 [13.92]
Net Sensible Capacity Btu [kW]	33,300 [9.76]	33,300 [9.76]	33,300 [9.76]	33,300 [9.76]
Net Latent Capacity Btu [kW]	14,200 [4.16]	14,200 [4.16]	14,200 [4.16]	14,200 [4.16]
Net System Power kW	3.84	3.84	3.94	3.94
<b>Heating Performance (Gas)<sup>4</sup></b>				
Heating Input Btu [kW] (1st Stage / 2nd Stage)	56,000/80,000 [16.41/23.44]	70,000/100,000 [20.51/29.3]	56,000/80,000 [16.41/23.44]	70,000/100,000 [20.51/29.3]
Heating Output Btu [kW] (1st Stage / 2nd Stage)	45,360/64,800 [13.29/18.99]	56,700/81,000 [16.61/23.73]	45,360/64,800 [13.29/18.99]	56,700/81,000 [16.61/23.73]
Temperature Rise Range °F [°C] (1st Stage / 2nd Stage)	25-55 [13.9-30.6] / 35-65 [19.4-36.1]	25-55 [13.9-30.6] / 35-65 [19.4-36.1]	25-55 [13.9-30.6] / 35-65 [19.4-36.1]	25-55 [13.9-30.6] / 35-65 [19.4-36.1]
AFUE %	81	81	81	81
Steady State Efficiency (%)	81	81	81	81
No. Burners	4	5	4	5
No. Stages	2	2	2	2
Gas Connection Pipe Size in. [mm]	0.5 [12.7]	0.5 [12.7]	0.5 [12.7]	0.5 [12.7]
<b>Compressor</b>				
No./Type	1/Scroll	1/Scroll	1/Scroll	1/Scroll
<b>Outdoor Sound Rating (dB)<sup>5</sup></b>				
	81	81	81	81
<b>Outdoor Coil - Fin Type</b>				
Tube Type	Louvered	Louvered	Louvered	Louvered
MicroChannel Depth in. [mm]	1 [25.4]	1 [25.4]	1 [25.4]	1 [25.4]
Face Area sq. ft. [sq. m]	15.98 [1.48]	15.98 [1.48]	15.98 [1.48]	15.98 [1.48]
Rows / FPI [FPcm]	1 / 23 [9]	1 / 23 [9]	1 / 23 [9]	1 / 23 [9]
<b>Indoor Coil - Fin Type</b>				
Tube Type	Louvered	Louvered	Louvered	Louvered
MicroChannel Depth in. [mm]	1 [25.4]	1 [25.4]	1 [25.4]	1 [25.4]
Face Area sq. ft. [sq. m]	7.07 [0.66]	7.07 [0.66]	7.07 [0.66]	7.07 [0.66]
Rows / FPI [FPcm]	1 / 20 [8]	1 / 20 [8]	1 / 20 [8]	1 / 20 [8]
Refrigerant Control	TX Valves	TX Valves	TX Valves	TX Valves
Drain Connection No./Size in. [mm]	1/0.75 [19.05]	1/0.75 [19.05]	1/0.75 [19.05]	1/0.75 [19.05]
<b>Outdoor Fan - Type</b>				
No. Used/Diameter in. [mm]	1/24 [609.6]	1/24 [609.6]	1/24 [609.6]	1/24 [609.6]
Drive Type/No. Speeds	Direct/1	Direct/1	Direct/1	Direct/1
CFM [L/s]	4300 [2029]	4300 [2029]	4300 [2029]	4300 [2029]
No. Motors/HP	1 at 1/3 HP	1 at 1/3 HP	1 at 1/3 HP	1 at 1/3 HP
Motor RPM	1050	1050	1050	1050
<b>Indoor Fan - Type</b>				
No. Used/Diameter in. [mm]	1/12x9 [305x229]	1/12x9 [305x229]	1/12x9 [305x229]	1/12x9 [305x229]
Drive Type	Direct	Direct	Direct	Direct
No. Speeds	Multiple	Multiple	Multiple	Multiple
No. Motors	1	1	1	1
Motor HP	1	1	1	1
Motor RPM	1050	1050	1050	1050
Motor Frame Size	48	48	48	48
<b>Filter - Type</b>				
Furnished	Field Supplied	Field Supplied	Field Supplied	Field Supplied
(NO.) Size Recommended in. [mm x mm x mm]	No (2)1x16x30 [25x406x762]	No (2)1x16x30 [25x406x762]	No (2)1x16x30 [25x406x762]	No (2)1x16x30 [25x406x762]
<b>Refrigerant Charge Oz. [g]</b>				
	90 [2552]	90 [2552]	90 [2552]	90 [2552]
<b>Weights</b>				
Net Weight lbs. [kg]	505 [229]	510 [231]	505 [229]	510 [231]
Ship Weight lbs. [kg]	515 [234]	520 [236]	515 [234]	520 [236]

**CONTINUED** →

See Page 16 for Notes.

[ ] Designates Metric Conversions

## NOMINAL SIZES 2-5 TONS [7.0-17.6 kW]

Model RGE(A/X)ZS Series	060ACV08	060ACV10	060AJV08	060AJV10
<b>Cooling Performance<sup>1</sup></b>				
Gross Cooling Capacity Btu [kW]	59,000 [17.29]	59,000 [17.29]	59,000 [17.29]	59,000 [17.29]
EER2/SEER2 <sup>2</sup>	11.5/15.2	11.5/15.2	11.5/15.2	11.5/15.2
Nominal CFM/AHRI Rated CFM [L/s]	2000/1800 [944/849]	2000/1800 [944/849]	2000/1800 [944/849]	2000/1800 [944/849]
AHRI Net Cooling Capacity Btu [kW]	57,000 [16.7]	57,000 [16.7]	57,000 [16.7]	57,000 [16.7]
Net Sensible Capacity Btu [kW]	39,000 [11.43]	39,000 [11.43]	39,000 [11.43]	39,000 [11.43]
Net Latent Capacity Btu [kW]	18,000 [5.27]	18,000 [5.27]	18,000 [5.27]	18,000 [5.27]
Net System Power kW	4.82	4.82	5	5
<b>Heating Performance (Gas)<sup>4</sup></b>				
Heating Input Btu [kW] (1st Stage / 2nd Stage)	56,000/80,000 [16.41/23.44]	70,000/100,000 [20.51/29.3]	56,000/80,000 [16.41/23.44]	70,000/100,000 [20.51/29.3]
Heating Output Btu [kW] (1st Stage / 2nd Stage)	45,360/64,800 [13.29/18.99]	56,700/81,000 [16.61/23.73]	45,360/64,800 [13.29/18.99]	56,700/81,000 [16.61/23.73]
Temperature Rise Range °F [°C] (1st Stage / 2nd Stage)	25-55 [13.9-30.6] / 35-65 [19.4-36.1]	25-55 [13.9-30.6] / 35-65 [19.4-36.1]	25-55 [13.9-30.6] / 35-65 [19.4-36.1]	25-55 [13.9-30.6] / 35-65 [19.4-36.1]
AFUE %	81	81	81	81
Steady State Efficiency (%)	81	81	81	81
No. Burners	4	5	4	5
No. Stages	2	2	2	2
Gas Connection Pipe Size in. [mm]	0.5 [12.7]	0.5 [12.7]	0.5 [12.7]	0.5 [12.7]
<b>Compressor</b>				
No./Type	1/Scroll	1/Scroll	1/Scroll	1/Scroll
<b>Outdoor Sound Rating (dB)<sup>5</sup></b>				
	83	83	83	83
<b>Outdoor Coil - Fin Type</b>				
Tube Type	Louvered	Louvered	Louvered	Louvered
MicroChannel Depth in. [mm]	MicroChannel	MicroChannel	MicroChannel	MicroChannel
Face Area sq. ft. [sq. m]	1 [25.4]	1 [25.4]	1 [25.4]	1 [25.4]
Rows / FPI [FPcm]	15.98 [1.48]	15.98 [1.48]	15.98 [1.48]	15.98 [1.48]
	1 / 23 [9]	1 / 23 [9]	1 / 23 [9]	1 / 23 [9]
<b>Indoor Coil - Fin Type</b>				
Tube Type	Louvered	Louvered	Louvered	Louvered
MicroChannel Depth in. [mm]	MicroChannel	MicroChannel	MicroChannel	MicroChannel
Face Area sq. ft. [sq. m]	1.26 [32]	1.26 [32]	1.26 [32]	1.26 [32]
Rows / FPI [FPcm]	6.96 [0.65]	6.96 [0.65]	6.96 [0.65]	6.96 [0.65]
	1 / 20 [8]	1 / 20 [8]	1 / 20 [8]	1 / 20 [8]
Refrigerant Control	TX Valves	TX Valves	TX Valves	TX Valves
Drain Connection No./Size in. [mm]	1/0.75 [19.05]	1/0.75 [19.05]	1/0.75 [19.05]	1/0.75 [19.05]
<b>Outdoor Fan - Type</b>				
No. Used/Diameter in. [mm]	Propeller	Propeller	Propeller	Propeller
Drive Type/No. Speeds	1/24 [609.6]	1/24 [609.6]	1/24 [609.6]	1/24 [609.6]
CFM [L/s]	Direct/1	Direct/1	Direct/1	Direct/1
No. Motors/HP	4300 [2029]	4300 [2029]	4300 [2029]	4300 [2029]
Motor RPM	1 at 1/3 HP	1 at 1/3 HP	1 at 1/3 HP	1 at 1/3 HP
	1050	1050	1050	1050
<b>Indoor Fan - Type</b>				
No. Used/Diameter in. [mm]	FC Centrifugal	FC Centrifugal	FC Centrifugal	FC Centrifugal
Drive Type	1/12x9 [305x229]	1/12x9 [305x229]	1/12x9 [305x229]	1/12x9 [305x229]
No. Speeds	Direct	Direct	Direct	Direct
No. Motors	Multiple	Multiple	Multiple	Multiple
Motor HP	1	1	1	1
Motor RPM	1	1	1	1
Motor Frame Size	1050	1050	1050	1050
	48	48	48	48
<b>Filter - Type</b>				
Furnished	Field Supplied	Field Supplied	Field Supplied	Field Supplied
(NO.) Size Recommended in. [mm x mm x mm]	No	No	No	No
	(2)1x16x30 [25x406x762]	(2)1x16x30 [25x406x762]	(2)1x16x30 [25x406x762]	(2)1x16x30 [25x406x762]
<b>Refrigerant Charge Oz. [g]</b>				
	100 [2835]	100 [2835]	100 [2835]	100 [2835]
<b>Weights</b>				
Net Weight lbs. [kg]	510 [231]	515 [234]	515 [234]	515 [234]
Ship Weight lbs. [kg]	520 [236]	525 [238]	525 [238]	525 [238]

See Page 16 for Notes.

[ ] Designates Metric Conversions



## NOTES:

1. Cooling Performance is rated at 95°F ambient, 80°F entering dry bulb, 67°F entering wet bulb. Gross capacity does not include the effect of fan motor heat. AHRI capacity is net and includes the effect of fan motor heat. Units are suitable for operation to  $\pm 20\%$  of nominal cfm. Units are certified in accordance with the Unitary Air Conditioner Equipment certification program, which is based on AHRI Standard 210/240 or 360.
2. EER2 and/or SEER2 are rated at AHRI conditions and in accordance with DOE test procedures.
3. Heating Performance limit settings and rating data were established and approved under laboratory test conditions using American National Standard Institute standards. Ratings shown are for elevations up to 2000 feet. For elevations above 2000 feet, ratings should be reduced at the rate of 4% for each 1000 feet above sea level.
4. AFUE is rated in accordance with DOE test procedures.
5. Outdoor Sound Rating shown is tested in accordance with AHRI Standard 270.

## COOLING PERFORMANCE DATA—RGEAZS024A

ENTERING INDOOR AIR @ 80°F [26.7°C] dbE ①											
wbE		71°F [21.7°C]			67°F [19.4°C]			63°F [17.2°C]			
CFM [L/s]		900 [425]	825 [389]	650 [307]	900 [425]	825 [389]	650 [307]	900 [425]	825 [389]	650 [307]	
DR ①		.05	.09	.12	.05	.09	.12	.05	.09	.12	
OUTDOOR DRY BULB TEMPERATURE °F [°C]	75 [23.9]	Total BTUH [kW] Sens BTUH [kW] Power	28.7 [8.4] 16.1 [4.7] 1.7	28.2 [8.3] 15.5 [4.5] 1.7	27.1 [7.9] 13.9 [4.1] 1.6	27.1 [7.9] 19.4 [5.7] 1.7	26.6 [7.8] 18.6 [5.5] 1.7	25.6 [7.5] 16.7 [4.9] 1.6	25.7 [7.5] 23.4 [6.9] 1.7	25.3 [7.4] 22.4 [6.6] 1.6	24.3 [7.1] 20.2 [5.9] 1.6
	80 [26.7]	Total BTUH [kW] Sens BTUH [kW] Power	28.0 [8.2] 15.3 [4.5] 1.8	27.5 [8.1] 14.7 [4.3] 1.7	26.4 [7.7] 13.3 [3.9] 1.7	26.4 [7.7] 18.6 [5.5] 1.7	25.9 [7.6] 17.8 [5.2] 1.7	24.9 [7.3] 16.1 [4.7] 1.7	25.0 [7.3] 22.6 [6.6] 1.7	24.6 [7.2] 21.6 [6.3] 1.7	23.7 [6.9] 19.5 [5.7] 1.7
	85 [29.4]	Total BTUH [kW] Sens BTUH [kW] Power	27.2 [8.0] 14.7 [4.3] 1.8	26.8 [7.9] 14.1 [4.1] 1.8	25.8 [7.6] 12.7 [3.7] 1.8	25.6 [7.5] 17.9 [5.2] 1.8	25.2 [7.4] 17.2 [5.0] 1.8	24.2 [7.1] 15.5 [4.5] 1.8	24.3 [7.1] 21.9 [6.4] 1.8	23.9 [7.0] 21.0 [6.2] 1.8	23.0 [6.7] 18.9 [5.5] 1.8
	90 [32.2]	Total BTUH [kW] Sens BTUH [kW] Power	26.5 [7.8] 14.1 [4.1] 1.9	26.0 [7.6] 13.5 [4.0] 1.9	25.0 [7.3] 12.2 [3.6] 1.9	24.9 [7.3] 17.3 [5.1] 1.9	24.5 [7.2] 16.6 [4.9] 1.9	23.5 [6.9] 15.0 [4.4] 1.9	23.5 [6.9] 21.3 [6.2] 1.9	23.2 [6.8] 20.4 [6.0] 1.9	22.3 [6.5] 18.4 [5.4] 1.8
	95 [35]	Total BTUH [kW] Sens BTUH [kW] Power	25.7 [7.5] 13.6 [4.0] 2.0	25.3 [7.4] 13.1 [3.8] 2.0	24.3 [7.1] 11.8 [3.5] 2.0	24.1 [7.1] 16.9 [5.0] 2.0	23.7 [6.9] 16.2 [4.7] 2.0	22.8 [6.7] 14.6 [4.3] 1.9	22.8 [6.7] 20.8 [6.1] 2.0	22.4 [6.6] 20.0 [5.9] 2.0	21.5 [6.3] 18.0 [5.3] 1.9
	100 [37.8]	Total BTUH [kW] Sens BTUH [kW] Power	24.9 [7.3] 13.3 [3.9] 2.1	24.5 [7.2] 12.7 [3.7] 2.1	23.6 [6.9] 11.5 [3.4] 2.1	23.3 [6.8] 16.5 [4.8] 2.1	22.9 [6.7] 15.8 [4.6] 2.1	22.0 [6.4] 14.3 [4.2] 2.0	22.0 [6.4] 20.5 [6.0] 2.1	21.6 [6.3] 19.7 [5.8] 2.1	20.8 [6.1] 17.7 [5.2] 2.0
	105 [40.6]	Total BTUH [kW] Sens BTUH [kW] Power	24.1 [7.1] 13.0 [3.8] 2.2	23.7 [6.9] 12.5 [3.7] 2.2	22.8 [6.7] 11.3 [3.3] 2.2	22.5 [6.6] 16.3 [4.8] 2.2	22.1 [6.5] 15.6 [4.6] 2.2	21.3 [6.2] 14.1 [4.1] 2.2	21.2 [6.2] 20.2 [5.9] 2.2	20.8 [6.1] 19.4 [5.7] 2.2	20.0 [5.9] 17.5 [5.1] 2.1
	110 [43.3]	Total BTUH [kW] Sens BTUH [kW] Power	23.2 [6.8] 12.9 [3.8] 2.3	22.9 [6.7] 12.4 [3.6] 2.3	22.0 [6.4] 11.1 [3.3] 2.3	21.6 [6.3] 16.1 [4.7] 2.3	21.3 [6.2] 15.5 [4.5] 2.3	20.5 [6.0] 13.9 [4.1] 2.3	20.3 [5.9] 20.1 [5.9] 2.3	20.0 [5.9] 19.3 [5.7] 2.3	19.2 [5.6] 17.4 [5.1] 2.2
	115 [46.1]	Total BTUH [kW] Sens BTUH [kW] Power	22.4 [6.6] 12.9 [3.8] 2.5	22.0 [6.4] 12.3 [3.6] 2.4	21.2 [6.2] 11.1 [3.3] 2.4	20.8 [6.1] 16.1 [4.7] 2.4	20.4 [6.0] 15.4 [4.5] 2.4	19.6 [5.7] 13.9 [4.1] 2.4	19.4 [5.7] 19.4 [5.7] 2.4	19.1 [5.6] 19.1 [5.6] 2.4	18.4 [5.4] 17.4 [5.1] 2.4
	120 [48.9]	Total BTUH [kW] Sens BTUH [kW] Power	21.5 [6.3] 12.9 [3.8] 2.6	21.1 [6.2] 12.4 [3.6] 2.6	20.3 [5.9] 11.2 [3.3] 2.5	19.9 [5.8] 16.2 [4.7] 2.6	19.6 [5.7] 15.5 [4.5] 2.5	18.8 [5.5] 14.0 [4.1] 2.5	18.6 [5.5] 18.6 [5.5] 2.6	18.3 [5.4] 18.3 [5.4] 2.5	17.6 [5.2] 17.4 [5.1] 2.5
	125 [51.7]	Total BTUH [kW] Sens BTUH [kW] Power	20.6 [6.0] 13.1 [3.8] 2.7	20.2 [5.9] 12.6 [3.7] 2.7	19.5 [5.7] 11.3 [3.3] 2.6	19.0 [5.6] 16.4 [4.8] 2.7	18.7 [5.5] 15.7 [4.6] 2.7	17.9 [5.2] 14.1 [4.1] 2.6	17.6 [5.2] 17.6 [5.2] 2.7	17.4 [5.1] 17.4 [5.1] 2.7	16.7 [4.9] 16.7 [4.9] 2.6

DR —Depression ratio  
dbE —Entering air dry bulb  
wbE—Entering air wet bulb

Total —Total capacity x 1000 BTUH  
Sens —Sensible capacity x 1000 BTUH  
Power —KW input

NOTES: ① When the entering air dry bulb is other than 80°F [27°C], adjust the sensible capacity from the table by adding  $[1.10 \times \text{CFM} \times (1 - \text{DR}) \times (\text{dbE} - 80)]$ .

[ ] Designates Metric Conversions

## COOLING PERFORMANCE DATA – RGEAZS036A

		ENTERING INDOOR AIR @ 80°F [26.7°C] dbE ①									
wbE		71°F [21.7°C]			67°F [19.4°C]			63°F [17.2°C]			
CFM [L/s]		1325 [625]	1200 [566]	950 [448]	1325 [625]	1200 [566]	950 [448]	1325 [625]	1200 [566]	950 [448]	
DR ①		.05	.09	.12	.05	.09	.12	.05	.09	.12	
OUTDOOR DRY BULB TEMPERATURE	75 [23.9]	Total BTUH [kW] Sens BTUH [kW] Power	43.6 [12.8] 25.0 [7.3] 2.5	42.8 [12.5] 23.8 [7.0] 2.5	41.2 [12.1] 21.5 [6.3] 2.5	41.1 [12.0] 29.9 [8.8] 2.5	40.3 [11.8] 28.5 [8.4] 2.5	38.8 [11.4] 25.8 [7.6] 2.4	38.5 [11.3] 34.2 [10.0] 2.5	37.8 [11.1] 32.6 [9.6] 2.5	36.4 [10.7] 29.4 [8.6] 2.4
	80 [26.7]	Total BTUH [kW] Sens BTUH [kW] Power	42.4 [12.4] 24.3 [7.1] 2.6	41.6 [12.2] 23.1 [6.8] 2.6	40.0 [11.7] 20.9 [6.1] 2.6	39.8 [11.7] 29.2 [8.6] 2.6	39.1 [11.5] 27.8 [8.1] 2.6	37.6 [11.0] 25.1 [7.4] 2.5	37.3 [10.9] 33.5 [9.8] 2.6	36.6 [10.7] 31.9 [9.3] 2.6	35.2 [10.3] 28.8 [8.4] 2.5
	85 [29.4]	Total BTUH [kW] Sens BTUH [kW] Power	41.2 [12.1] 23.6 [6.9] 2.8	40.4 [11.8] 22.5 [6.6] 2.7	38.9 [11.4] 20.3 [5.9] 2.7	38.6 [11.3] 28.5 [8.4] 2.7	37.9 [11.1] 27.2 [8.0] 2.7	36.5 [10.7] 24.6 [7.2] 2.6	36.1 [10.6] 32.8 [9.6] 2.7	35.4 [10.4] 31.3 [9.2] 2.7	34.1 [10.0] 28.2 [8.3] 2.6
	90 [32.2]	Total BTUH [kW] Sens BTUH [kW] Power	39.9 [11.7] 23.0 [6.7] 2.9	39.2 [11.5] 21.9 [6.4] 2.8	37.7 [11.0] 19.8 [5.8] 2.8	37.4 [11.0] 27.9 [8.2] 2.8	36.7 [10.8] 26.6 [7.8] 2.8	35.3 [10.3] 24.0 [7.0] 2.8	34.9 [10.2] 32.2 [9.4] 2.8	34.2 [10.0] 30.7 [9.0] 2.8	32.9 [9.6] 27.7 [8.1] 2.7
	95 [35]	Total BTUH [kW] Sens BTUH [kW] Power	38.7 [11.3] 22.4 [6.6] 3.0	38.0 [11.1] 21.3 [6.2] 3.0	36.6 [10.7] 19.3 [5.7] 2.9	36.2 [10.6] 27.3 [8.0] 3.0	35.5 [10.4] 26.0 [7.6] 2.9	34.2 [10.0] 23.5 [6.9] 2.9	33.6 [9.8] 31.6 [9.3] 2.9	33.0 [9.7] 30.1 [8.8] 2.9	31.8 [9.3] 27.2 [8.0] 2.9
	100 [37.8]	Total BTUH [kW] Sens BTUH [kW] Power	37.5 [11.0] 21.8 [6.4] 3.1	36.8 [10.8] 20.8 [6.1] 3.1	35.4 [10.4] 18.8 [5.5] 3.1	35.0 [10.3] 26.8 [7.9] 3.1	34.3 [10.1] 25.5 [7.5] 3.1	33.0 [9.7] 23.0 [6.7] 3.0	32.4 [9.5] 31.0 [9.1] 3.1	31.8 [9.3] 29.6 [8.7] 3.1	30.6 [9.0] 26.7 [7.8] 3.0
	105 [40.6]	Total BTUH [kW] Sens BTUH [kW] Power	36.3 [10.6] 21.3 [6.2] 3.3	35.6 [10.4] 20.3 [5.9] 3.3	34.3 [10.1] 18.3 [5.4] 3.2	33.7 [9.9] 26.2 [7.7] 3.3	33.1 [9.7] 25.0 [7.3] 3.2	31.9 [9.3] 22.6 [6.6] 3.2	31.2 [9.1] 30.5 [8.9] 3.2	30.6 [9.0] 29.1 [8.5] 3.2	29.5 [8.6] 26.3 [7.7] 3.1
	110 [43.3]	Total BTUH [kW] Sens BTUH [kW] Power	35.1 [10.3] 20.8 [6.1] 3.4	34.4 [10.1] 19.9 [5.8] 3.4	33.1 [9.7] 17.9 [5.2] 3.3	32.5 [9.5] 25.8 [7.6] 3.4	31.9 [9.3] 24.6 [7.2] 3.4	30.7 [9.0] 22.2 [6.5] 3.3	30.0 [8.8] 30.0 [8.8] 3.4	29.4 [8.6] 28.6 [8.4] 3.4	28.3 [8.3] 25.9 [7.6] 3.3
	115 [46.1]	Total BTUH [kW] Sens BTUH [kW] Power	33.8 [9.9] 20.4 [6.0] 3.6	33.2 [9.7] 19.5 [5.7] 3.6	32.0 [9.4] 17.6 [5.2] 3.5	31.3 [9.2] 25.3 [7.4] 3.6	30.7 [9.0] 24.2 [7.1] 3.5	29.6 [8.7] 21.8 [6.4] 3.5	28.8 [8.4] 28.8 [8.4] 3.6	28.2 [8.3] 28.2 [8.3] 3.5	27.2 [8.0] 25.5 [7.5] 3.5
	120 [48.9]	Total BTUH [kW] Sens BTUH [kW] Power	32.6 [9.6] 20.0 [5.9] 3.8	32.0 [9.4] 19.1 [5.6] 3.7	30.8 [9.0] 17.2 [5.0] 3.7	30.1 [8.8] 24.9 [7.3] 3.8	29.5 [8.6] 23.8 [7.0] 3.7	28.4 [8.3] 21.5 [6.3] 3.7	27.5 [8.1] 27.5 [8.1] 3.7	27.0 [7.9] 27.0 [7.9] 3.7	26.0 [7.6] 25.1 [7.4] 3.6
125 [51.7]	Total BTUH [kW] Sens BTUH [kW] Power	31.4 [9.2] 19.7 [5.8] 4.0	30.8 [9.0] 18.7 [5.5] 3.9	29.7 [8.7] 16.9 [5.0] 3.9	28.9 [8.5] 24.6 [7.2] 3.9	28.3 [8.3] 23.4 [6.9] 3.9	27.3 [8.0] 21.2 [6.2] 3.8	26.3 [7.7] 26.3 [7.7] 3.9	25.8 [7.6] 25.8 [7.6] 3.9	24.9 [7.3] 24.8 [7.3] 3.8	

DR —Depression ratio  
dbE —Entering air dry bulb  
wbE—Entering air wet bulb

Total —Total capacity x 1000 BTUH  
Sens —Sensible capacity x 1000 BTUH  
Power—KW input

NOTES: ① When the entering air dry bulb is other than 80°F [27°C], adjust the sensible capacity from the table by adding  $[1.10 \times \text{CFM} \times (1 - \text{DR}) \times (\text{dbE} - 80)]$ .

[ ] Designates Metric Conversions

## COOLING PERFORMANCE DATA—RGEXZS048A

		ENTERING INDOOR AIR @ 80°F [26.7°C] dbE ①									
wbE		71°F [21.7°C]			67°F [19.4°C]			63°F [17.2°C]			
CFM [L/s]		1850 [873]	1525 [720]	1325 [625]	1850 [873]	1525 [720]	1325 [625]	1850 [873]	1525 [720]	1325 [625]	
DR ①		.05	.09	.12	.05	.09	.12	.05	.09	.12	
OUTDOOR DRY BULB TEMPERATURE °F [°C]	75 [23.9]	Total BTUH [kW] Sens BTUH [kW] Power	61.4 [18.0] 35.3 [10.3] 3.5	59.2 [17.4] 32.1 [9.4] 3.5	57.7 [16.9] 30.2 [8.9] 3.4	57.2 [16.8] 41.1 [12.0] 3.5	55.1 [16.1] 37.4 [11.0] 3.4	53.8 [15.8] 35.1 [10.3] 3.4	53.2 [15.6] 46.2 [13.5] 3.5	51.2 [15.0] 42.1 [12.3] 3.4	50.0 [14.7] 39.5 [11.6] 3.4
	80 [26.7]	Total BTUH [kW] Sens BTUH [kW] Power	60.0 [17.6] 34.7 [10.2] 3.7	57.8 [16.9] 31.6 [9.3] 3.6	56.4 [16.5] 29.6 [8.7] 3.6	55.8 [16.4] 40.4 [11.8] 3.6	53.7 [15.7] 36.8 [10.8] 3.6	52.4 [15.4] 34.5 [10.1] 3.5	51.8 [15.2] 45.6 [13.4] 3.6	49.8 [14.6] 41.5 [12.2] 3.5	48.6 [14.2] 38.9 [11.4] 3.5
	85 [29.4]	Total BTUH [kW] Sens BTUH [kW] Power	58.5 [17.1] 34.0 [10.0] 3.8	56.3 [16.5] 30.9 [9.1] 3.7	55.0 [16.1] 29.0 [8.5] 3.7	54.3 [15.9] 39.7 [11.6] 3.8	52.3 [15.3] 36.2 [10.6] 3.7	51.0 [14.9] 33.9 [9.9] 3.6	50.3 [14.7] 44.9 [13.2] 3.7	48.4 [14.2] 40.8 [12.0] 3.6	47.2 [13.8] 38.3 [11.2] 3.6
	90 [32.2]	Total BTUH [kW] Sens BTUH [kW] Power	57.0 [16.7] 33.2 [9.7] 3.9	54.8 [16.1] 30.2 [8.9] 3.9	53.5 [15.7] 28.4 [8.3] 3.8	52.7 [15.4] 39.0 [11.4] 3.9	50.8 [14.9] 35.4 [10.4] 3.8	49.6 [14.5] 33.3 [9.8] 3.8	48.7 [14.3] 44.1 [12.9] 3.9	46.9 [13.7] 40.1 [11.8] 3.8	45.8 [13.4] 37.7 [11.0] 3.7
	95 [35]	Total BTUH [kW] Sens BTUH [kW] Power	55.4 [16.2] 32.4 [9.5] 4.1	53.3 [15.6] 29.4 [8.6] 4.0	52.0 [15.2] 27.6 [8.1] 4.0	51.1 [15.0] 38.1 [11.2] 4.1	49.2 [14.4] 34.7 [10.2] 4.0	48.1 [14.1] 32.5 [9.5] 3.9	47.1 [13.8] 43.3 [12.7] 4.0	45.4 [13.3] 39.4 [11.5] 4.0	44.3 [13.0] 37.0 [10.8] 3.9
	100 [37.8]	Total BTUH [kW] Sens BTUH [kW] Power	53.7 [15.7] 31.4 [9.2] 4.3	51.7 [15.2] 28.6 [8.4] 4.2	50.5 [14.8] 26.9 [7.9] 4.2	49.5 [14.5] 37.2 [10.9] 4.2	47.6 [14.0] 33.8 [9.9] 4.2	46.5 [13.6] 31.8 [9.3] 4.1	45.5 [13.3] 42.4 [12.4] 4.2	43.8 [12.8] 38.5 [11.3] 4.1	42.7 [12.5] 36.2 [10.6] 4.1
	105 [40.6]	Total BTUH [kW] Sens BTUH [kW] Power	52.0 [15.2] 30.4 [8.9] 4.5	50.0 [14.7] 27.7 [8.1] 4.4	48.9 [14.3] 26.0 [7.6] 4.3	47.8 [14.0] 36.2 [10.6] 4.4	46.0 [13.5] 32.9 [9.6] 4.4	44.9 [13.2] 30.9 [9.1] 4.3	43.7 [12.8] 41.4 [12.1] 4.4	42.1 [12.3] 37.6 [11.0] 4.3	41.1 [12.0] 35.3 [10.3] 4.3
	110 [43.3]	Total BTUH [kW] Sens BTUH [kW] Power	50.2 [14.7] 29.4 [8.6] 4.7	48.3 [14.2] 26.7 [7.8] 4.6	47.2 [13.8] 25.1 [7.4] 4.5	46.0 [13.5] 35.1 [10.3] 4.6	44.3 [13.0] 31.9 [9.3] 4.6	43.2 [12.7] 30.0 [8.8] 4.5	42.0 [12.3] 40.3 [11.8] 4.6	40.4 [11.8] 36.6 [10.7] 4.5	39.4 [11.5] 34.4 [10.1] 4.5
	115 [46.1]	Total BTUH [kW] Sens BTUH [kW] Power	48.4 [14.2] 28.2 [8.3] 4.9	46.6 [13.7] 25.7 [7.5] 4.8	45.5 [13.3] 24.1 [7.1] 4.8	44.2 [13.0] 34.0 [10.0] 4.9	42.5 [12.5] 30.9 [9.1] 4.8	41.5 [12.2] 29.0 [8.5] 4.7	40.2 [11.8] 39.1 [11.5] 4.8	38.7 [11.3] 35.6 [10.4] 4.7	37.7 [11.0] 33.4 [9.8] 4.7
	120 [48.9]	Total BTUH [kW] Sens BTUH [kW] Power	46.5 [13.6] 27.0 [7.9] 5.1	44.8 [13.1] 24.6 [7.2] 5.1	43.7 [12.8] 23.1 [6.8] 5.0	42.3 [12.4] 32.7 [9.6] 5.1	40.7 [11.9] 29.8 [8.7] 5.0	39.7 [11.6] 28.0 [8.2] 5.0	38.3 [11.2] 37.9 [11.1] 5.1	36.8 [10.8] 34.5 [10.1] 5.0	36.0 [10.6] 32.4 [9.5] 4.9
	125 [51.7]	Total BTUH [kW] Sens BTUH [kW] Power	44.6 [13.1] 25.7 [7.5] 5.4	42.9 [12.6] 23.4 [6.9] 5.3	41.9 [12.3] 21.9 [6.4] 5.2	40.4 [11.8] 31.4 [9.2] 5.4	38.8 [11.4] 28.6 [8.4] 5.3	37.9 [11.1] 26.9 [7.9] 5.2	36.3 [10.6] 36.3 [10.6] 5.3	35.0 [10.3] 33.3 [9.8] 5.2	34.1 [10.0] 31.3 [9.2] 5.2

DR —Depression ratio  
dbE —Entering air dry bulb  
wbE —Entering air wet bulb

Total —Total capacity x 1000 BTUH  
Sens —Sensible capacity x 1000 BTUH  
Power —KW input

NOTES: ① When the entering air dry bulb is other than 80°F [27°C], adjust the sensible capacity from the table by adding  $[1.10 \times \text{CFM} \times (1 - \text{DR}) \times (\text{dbE} - 80)]$ .

[ ] Designates Metric Conversions

# COOLING PERFORMANCE DATA – RGEZS060A

		ENTERING INDOOR AIR @ 80°F [26.7°C] dbE ①									
wbE		71°F [21.7°C]			67°F [19.4°C]			63°F [17.2°C]			
CFM [L/s]		2150 [1015]	1800 [850]	1550 [732]	2150 [1015]	1800 [850]	1550 [732]	2150 [1015]	1800 [850]	1550 [732]	
DR ①		.05	.09	.12	.05	.09	.12	.05	.09	.12	
OUTDOOR DRY BULB TEMPERATURE	75 [23.9]	Total BTUH [kW] Sens BTUH [kW] Power	71.4 [20.9] 40.3 [11.8] 4.3	69.0 [20.2] 37.0 [10.8] 4.2	67.2 [19.7] 34.6 [10.1] 4.2	66.7 [19.5] 46.2 [13.5] 4.2	64.4 [18.9] 42.4 [12.4] 4.2	62.8 [18.4] 39.6 [11.6] 4.1	62.0 [18.2] 52.1 [15.3] 4.2	59.9 [17.6] 47.8 [14.0] 4.1	58.4 [17.1] 44.7 [13.1] 4.0
	80 [26.7]	Total BTUH [kW] Sens BTUH [kW] Power	69.7 [20.4] 39.6 [11.6] 4.5	67.3 [19.7] 36.3 [10.6] 4.4	65.6 [19.2] 33.9 [9.9] 4.3	65.0 [19.1] 45.5 [13.3] 4.4	62.7 [18.4] 41.7 [12.2] 4.3	61.2 [17.9] 39.0 [11.4] 4.3	60.3 [17.7] 51.4 [15.1] 4.3	58.2 [17.1] 47.1 [13.8] 4.3	56.7 [16.6] 44.0 [12.9] 4.2
	85 [29.4]	Total BTUH [kW] Sens BTUH [kW] Power	67.9 [19.9] 38.8 [11.4] 4.7	65.6 [19.2] 35.6 [10.4] 4.6	63.9 [18.7] 33.3 [9.8] 4.5	63.2 [18.5] 44.7 [13.1] 4.6	61.0 [17.9] 41.0 [12.0] 4.5	59.5 [17.4] 38.3 [11.2] 4.5	58.5 [17.1] 50.6 [14.8] 4.5	56.5 [16.6] 46.4 [13.6] 4.4	55.1 [16.1] 43.4 [12.7] 4.4
	90 [32.2]	Total BTUH [kW] Sens BTUH [kW] Power	66.1 [19.4] 38.1 [11.2] 4.9	63.9 [18.7] 34.9 [10.2] 4.8	62.3 [18.3] 32.6 [9.6] 4.7	61.4 [18.0] 44.0 [12.9] 4.8	59.3 [17.4] 40.3 [11.8] 4.7	57.8 [16.9] 37.7 [11.0] 4.6	56.7 [16.6] 49.8 [14.6] 4.7	54.8 [16.1] 45.7 [13.4] 4.6	53.4 [15.7] 42.7 [12.5] 4.6
	95 [35]	Total BTUH [kW] Sens BTUH [kW] Power	64.4 [18.9] 37.3 [10.9] 5.1	62.2 [18.2] 34.2 [10.0] 5.0	60.6 [17.8] 32.0 [9.4] 4.9	59.7 [17.5] 43.2 [12.7] 5.0	57.6 [16.9] 39.6 [11.6] 4.9	56.2 [16.5] 37.0 [10.8] 4.9	55.0 [16.1] 49.1 [14.4] 4.9	53.1 [15.6] 45.0 [13.2] 4.8	51.8 [15.2] 42.1 [12.3] 4.8
	100 [37.8]	Total BTUH [kW] Sens BTUH [kW] Power	62.6 [18.3] 36.6 [10.7] 5.3	60.5 [17.7] 33.5 [9.8] 5.2	58.9 [17.3] 31.3 [9.2] 5.1	57.9 [17.0] 42.4 [12.4] 5.2	55.9 [16.4] 38.9 [11.4] 5.1	54.5 [16.0] 36.4 [10.7] 5.1	53.2 [15.6] 48.3 [14.2] 5.2	51.4 [15.1] 44.3 [13.0] 5.1	50.1 [14.7] 41.4 [12.1] 5.0
	105 [40.6]	Total BTUH [kW] Sens BTUH [kW] Power	60.8 [17.8] 35.8 [10.5] 5.5	58.8 [17.2] 32.8 [9.6] 5.4	57.3 [16.8] 30.7 [9.0] 5.4	56.1 [16.4] 41.7 [12.2] 5.5	54.2 [15.9] 38.2 [11.2] 5.4	52.9 [15.5] 35.7 [10.5] 5.3	51.4 [15.1] 47.6 [14.0] 5.4	49.7 [14.6] 43.6 [12.8] 5.3	48.4 [14.2] 40.8 [12.0] 5.2
	110 [43.3]	Total BTUH [kW] Sens BTUH [kW] Power	59.1 [17.3] 35.0 [10.3] 5.8	57.1 [16.7] 32.1 [9.4] 5.7	55.6 [16.3] 30.0 [8.8] 5.6	54.4 [15.9] 40.9 [12.0] 5.7	52.5 [15.4] 37.5 [11.0] 5.6	51.2 [15.0] 35.1 [10.3] 5.6	49.7 [14.6] 46.8 [13.7] 5.7	48.0 [14.1] 42.9 [12.6] 5.6	46.8 [13.7] 40.1 [11.8] 5.5
	115 [46.1]	Total BTUH [kW] Sens BTUH [kW] Power	57.3 [16.8] 34.3 [10.1] 6.1	55.4 [16.2] 31.4 [9.2] 6.0	54.0 [15.8] 29.4 [8.6] 5.9	52.6 [15.4] 40.2 [11.8] 6.0	50.8 [14.9] 36.8 [10.8] 5.9	49.5 [14.5] 34.4 [10.1] 5.8	47.9 [14.0] 46.1 [13.5] 5.9	46.3 [13.6] 42.2 [12.4] 5.8	45.1 [13.2] 39.5 [11.6] 5.8
	120 [48.9]	Total BTUH [kW] Sens BTUH [kW] Power	55.5 [16.3] 33.5 [9.8] 6.4	53.7 [15.7] 30.7 [9.0] 6.3	52.3 [15.3] 28.7 [8.4] 6.2	50.9 [14.9] 39.4 [11.5] 6.3	49.1 [14.4] 36.1 [10.6] 6.2	47.9 [14.0] 33.8 [9.9] 6.1	46.2 [13.5] 45.3 [13.3] 6.2	44.6 [13.1] 41.5 [12.2] 6.1	43.5 [12.7] 38.8 [11.4] 6.1
125 [51.7]	Total BTUH [kW] Sens BTUH [kW] Power	53.8 [15.8] 32.8 [9.6] 6.7	51.9 [15.2] 30.0 [8.8] 6.6	50.6 [14.8] 28.1 [8.2] 6.5	49.1 [14.4] 38.6 [11.3] 6.6	47.4 [13.9] 35.4 [10.4] 6.5	46.2 [13.5] 33.1 [9.7] 6.4	44.4 [13.0] 44.4 [13.0] 6.5	42.9 [12.6] 40.8 [12.0] 6.4	41.8 [12.3] 38.2 [11.2] 6.3	

DR —Depression ratio  
dbE —Entering air dry bulb  
wbE—Entering air wet bulb

Total —Total capacity x 1000 BTUH  
Sens —Sensible capacity x 1000 BTUH  
Power—KW input

NOTES: ① When the entering air dry bulb is other than 80°F [27°C], adjust the sensible capacity from the table by adding  $[1.10 \times \text{CFM} \times (1 - \text{DR}) \times (\text{dbE} - 80)]$ .

[ ] Designates Metric Conversions

## AIRFLOW TARGETS

RGEAZS024	
THERMOSTAT CALL	NOMINAL CFM
High Cooling	800
Low Cooling	600
60k Heating	750
Fan	400
Manufacturer Recommended Cooling Airflow (Min./Max.)	700 / 900

RGEAZS036	
THERMOSTAT CALL	NOMINAL CFM
High Cooling	1200
Low Cooling	800
100k High Heat	1540
80k Heat	1465
60k Heat	985
Fan	600
Manufacturer Recommended Cooling Airflow (Min./Max.)	1050 / 1350

RGEZS048	
THERMOSTAT CALL	NOMINAL CFM
High Cooling	1525
Low Cooling	1000
100k High Heat	1465
100k Low Heat	1273
80k High Heat	1265
80k Low Heat	1110
Manufacturer Recommended Cooling Airflow (Min./Max.)	1400 / 1800

RGEZS060	
THERMOSTAT CALL	NOMINAL CFM
High Cooling	1800
Low Cooling	1200
100k High Heat	1600
100k Low Heat	1296
80k High Heat	1240
80k Low Heat	1065
Manufacturer Recommended Cooling Airflow (Min./Max.)	1750 / 2250

### ELECTRICAL DATA - RGEAZS SERIES

		024AJV06	036ACV06	036ACV08	036ACV10	036AJV06	036AJV08	036AJV10
<b>Unit Information</b>	Unit Operating Voltage Range	187-253	187-253	187-253	187-253	187-253	187-253	187-253
	Volts	208/230	208/230	208/230	208/230	208/230	208/230	208/230
	Phase	1	3	3	3	1	1	1
	Hz	60	60	60	60	60	60	60
	Minimum Circuit Ampacity	18	21	21	21	29	29	29
	Minimum Overcurrent Protection Device Size	25	25	25	25	35	35	35
	Maximum Overcurrent Protection Device Size	25	25	25	25	40	40	40
<b>Compressor Motor</b>	No.	1	1	1	1	1	1	1
	Volts	208/230	208/230	208/230	208/230	208/230	208/230	208/230
	Phase	1	3	3	3	1	1	1
	RPM	3500	3500	3500	3500	3500	3500	3500
	HP, Compressor 1							
	Amps (RLA), Comp. 1	10.9	8.8	8.8	8.8	15.3	15.3	15.3
	Amps (LRA), Comp. 1	55.2	70	70	70	78.1	78.1	78.1
	HP, Compressor 2							
	Amps (RLA), Comp. 2							
Amps (LRA), Comp. 2								
<b>Condenser Motor</b>	No.	1	1	1	1	1	1	1
	Volts	208/230	208/230	208/230	208/230	208/230	208/230	208/230
	Phase	1	1	1	1	1	1	1
	HP	1/6	1/3	1/3	1/3	1/3	1/3	1/3
	Amps (FLA, each)	0.6	1.5	1.5	1.5	1.5	1.5	1.5
	Amps (LRA, each)	1.5	3	3	3	3	3	3
<b>Evaporator Fan</b>	No.	1	1	1	1	1	1	1
	Volts	208/230	208/230	208/230	208/230	208/230	208/230	208/230
	Phase	1	1	1	1	1	1	1
	HP	1/3	1	1	1	1	1	1
	Amps (FLA, each)	2.8	7.6	7.6	7.6	7.6	7.6	7.6
	Amps (LRA, each)							

ELECTRICAL DATA - RGE(X)ZS SERIES									
		048ACV08	048ACV10	048AJV08	048AJV10	060ACV08	060ACV10	060AJV08	060AJV10
Unit Information	Unit Operating Voltage Range	187-253	187-253	187-253	187-253	187-253	187-253	187-253	187-253
	Volts	208/230	208/230	208/230	208/230	208/230	208/230	208/230	208/230
	Phase	3	3	1	1	3	3	1	1
	Hz	60	60	60	60	60	60	60	60
	Minimum Circuit Ampacity	26	26	35	35	28	28	39	39
	Minimum Overcurrent Protection Device Size	30	30	40	40	35	35	45	45
	Maximum Overcurrent Protection Device Size	35	35	50	50	40	40	60	60
Compressor Motor	No.	1	1	1	1	1	1	1	1
	Volts	208/230	208/230	208/230	208/230	208/230	208/230	208/230	208/230
	Phase	3	3	1	1	3	3	1	1
	RPM	3500	3500	3500	3500	3500	3500	3500	3500
	HP, Compressor 1								
	Amps (RLA), Comp. 1	12.6	12.6	19.9	19.9	14	14	23.5	23.5
	Amps (LRA), Comp. 1	123	123	109	109	93	93	118	118
	HP, Compressor 2								
	Amps (RLA), Comp. 2								
Amps (LRA), Comp. 2									
Condenser Motor	No.	1	1	1	1	1	1	1	1
	Volts	208/230	208/230	208/230	208/230	208/230	208/230	208/230	208/230
	Phase	1	1	1	1	1	1	1	1
	HP	1/3	1/3	1/3	1/3	1/3	1/3	1/3	1/3
	Amps (FLA, each)	2	2	2	2	2	2	2	2
	Amps (LRA, each)	3.9	3.9	3.9	3.9	3.9	3.9	3.9	3.9
Evaporator Fan	No.	1	1	1	1	1	1	1	1
	Volts	208/230	208/230	208/230	208/230	208/230	208/230	208/230	208/230
	Phase	1	1	1	1	1	1	1	1
	HP	1	1	1	1	1	1	1	1
	Amps (FLA, each)	7.6	7.6	7.6	7.6	7.6	7.6	7.6	7.6
	Amps (LRA, each)								



## ACCESSORY EQUIPMENT

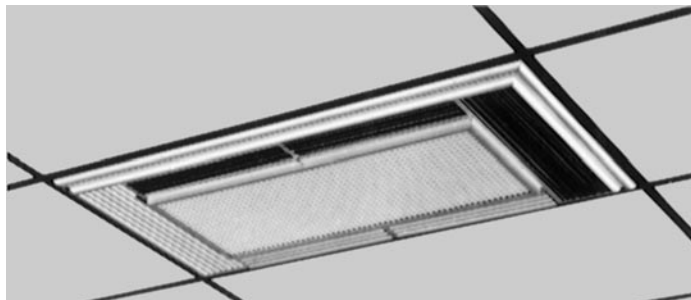
Accessory Description	Model Application	Accessory Model No.
Roofcurb	RGEA	RXSG-AAA08 (8" [203 mm] Height)
		RXSG-AAA14 (14" [356 mm] Height)
	RGEX	RXSG-AXA14 (14" [356 mm] Height)
		RXSG-AXA24 (24" [610 mm] Height)
Curb Adapter ("A" footprint to "X" footprint)	RGEX	RXRX-DXCAE
Duct Adapter Sideflow Square to Round Transition	RGE(A/X)	AXMC-BA01
Supply & Return Diffusers	RGE(A/X)	RXRN-BD15
Rectangular to Round Transition (Downflow)	RGE(A/X)	RXMC-CA02 (16" [406 mm] Ducts)
		RXMC-CA03 (18" [457 mm] Ducts)
Economizers (Convertible)	RGEA	AXRD-01RACAM3
	RGEX	RXRE-11RXCAM3
Dual Enthalpy Kit	RGEA	RXRX-AV04
	RGEX	PD555460
Fresh Air Damper	RGEA	AXRF-FAA1 (Fixed-35%)
		AXRF-FAB1 (Motorized-35%)
	RGEX	RXRF-FAA2 (Fixed-35%)
		RXRF-FAB2 (Motorized-35%)
LP Conversion Kits	RGE(A/X)	RXGJ-EP84W (White-Rodgers Gas Valve) RXGJ-EP85H (Honeywell Gas Valve) RXGJ-FP28
Filter Kit	RGEA	RXRY-B01
	RGEX	RXRY-B02
Split Door Design Kit	RGEX	RXRX-SDX01
Low Ambient Control	RGE(A/X)	RXPZ-G01
Low Pressure Control	RGE(A/X)	RXAC-C01
Phase Monitor Kit	3ph-RGE(A/X)	RXRX-PM3A01
Canadian High Altitude Kit (for Natural Gas only <sup>1</sup> )	RGEA/X	RXRX-AH01

<sup>1</sup>If a particular unit is to be converted to operate on LP (propane) for elevations above 2000 ft. [609.6 m] in Canada, the existing Natural Gas to LP Conversion Kits for the subject models already contain the necessary orifices and instructions to de-rate the input for 2000-4500 ft. [609.6-1371.6 m] Canadian applications.

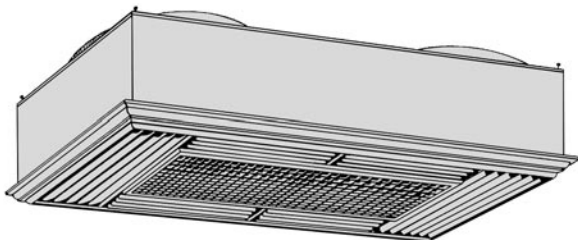
<sup>2</sup>High pressure switches are standard for RGE(A/X) Models.

[ ] Designates Metric Conversions

## COMMON SUPPLY/RETURN CONCENTRIC AIR DIFFUSER



## SUPPLY/RETURN DIFFUSER

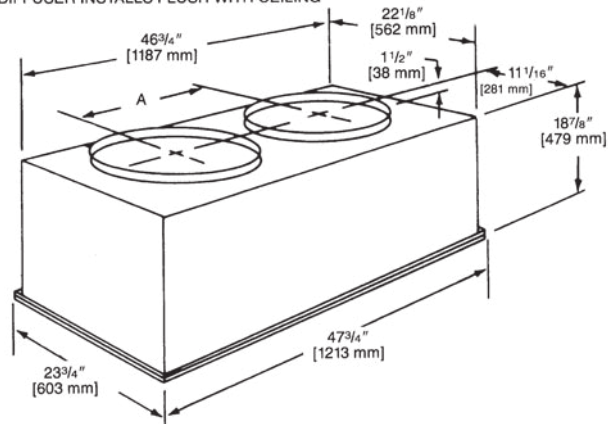


Designed to convert a side by side or an over and under arrangement into a concentric distribution of air. The diffuser is flush mounted, completely insulated, assembled, and internally baffled to provide four way supply air distribution with a center return. To make the assembly complete and ready to fit into a 2' [0.61 m] x 4' [1.22 m] suspended ceiling grid, the diffuser includes adjustable supply louvers, hanging rings, anti-sweat gasket, and round flanges for use with flexible ducts.

Model No. RXRN-	Diameter Inches [mm]	Shipping Wt. Lbs. [kg]	Dimension A Inches [mm]
BD15	16 [406]	90 [40.82]	20 1/2 [521]

[ ] Designates Metric Conversions

DIFFUSER INSTALLS FLUSH WITH CEILING



**NOTE:** The location of the combination supply and return diffuser should not exceed 10 feet [3.05 m] above the floor level for units @ 1000 CFM [472 L/s] or less and 12 [3.66 m] to 14 feet [4.27 m] above the floor level for units with CFM greater than 1000 [472 L/s]. If the diffuser is installed with a greater distance than recommended above, the supply air may become stratified above the required comfort area causing uncomfortable conditions.

## AIRFLOW/PRESSURE DROP INFORMATION (INCHES W.C. [kPa])

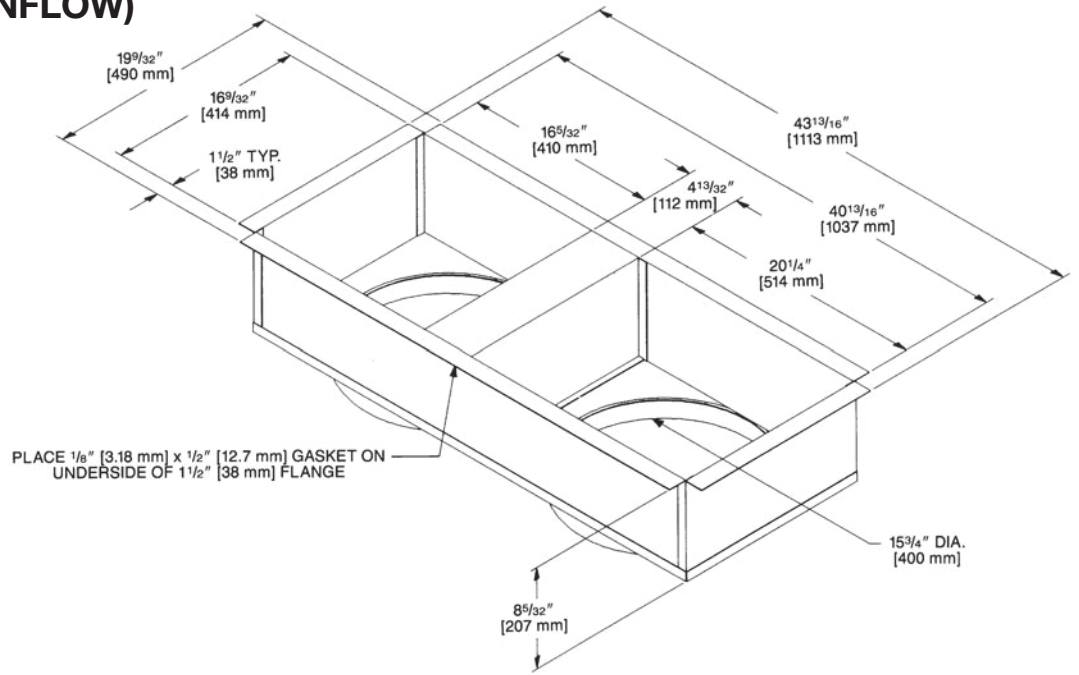
Accessory	Approximate CFM [L/s]-Supply Air			
	1300 [614]	1575 [743]	1800 [850]	2200 [1038]
Plenum & Supply/Return Duct	.07 [.017]	.10 [.024]	.12 [.030]	.17 [.042]
Diffuser	.09 [.022]	.13 [.032]	.16 [.040]	.24 [.060]
Economizer	.06 [.015]	.09 [.022]	.11 [.027]	.17 [.042]

## SUPPLY AIR/PERFORMANCE

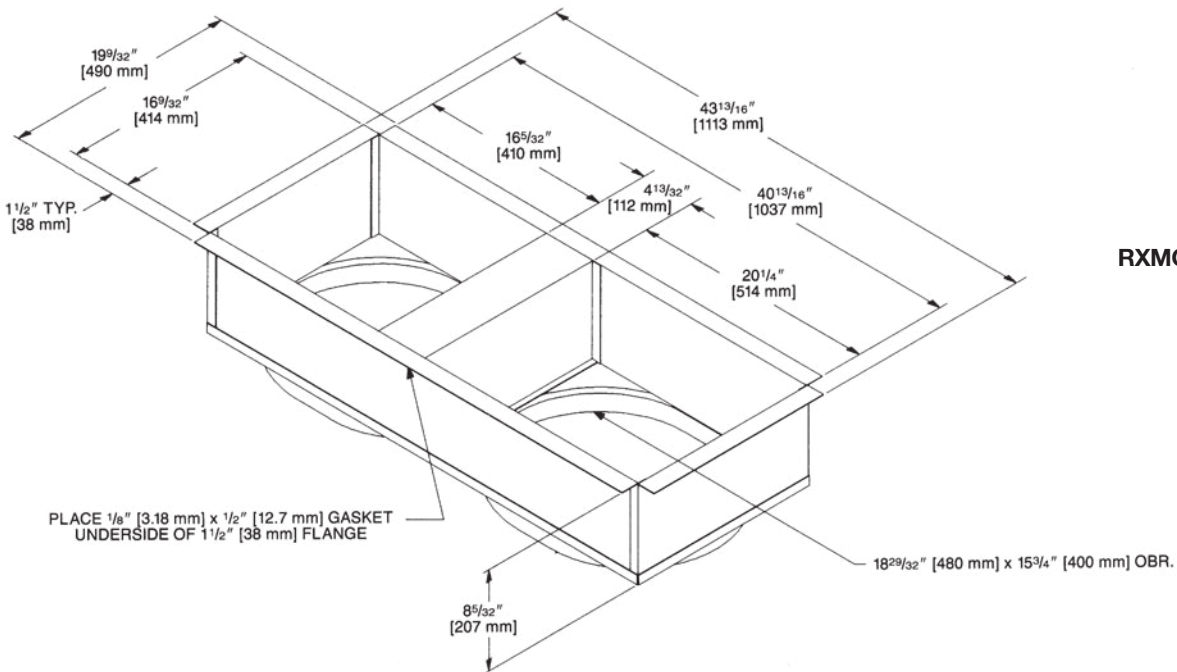
Diffuser Airflow CFM [L/s]	Range of Throw Ft. [m]
800 [378]-1200 [566]	14 [4.27]-16 [4.88]
1600 [755]-2000 [944]	18 [5.49]-28 [8.53]

# DUCT ADAPTERS RECTANGULAR TO ROUND TRANSITIONS (DOWNFLOW)

**RXMC-CA02**



**RXMC-CA03**

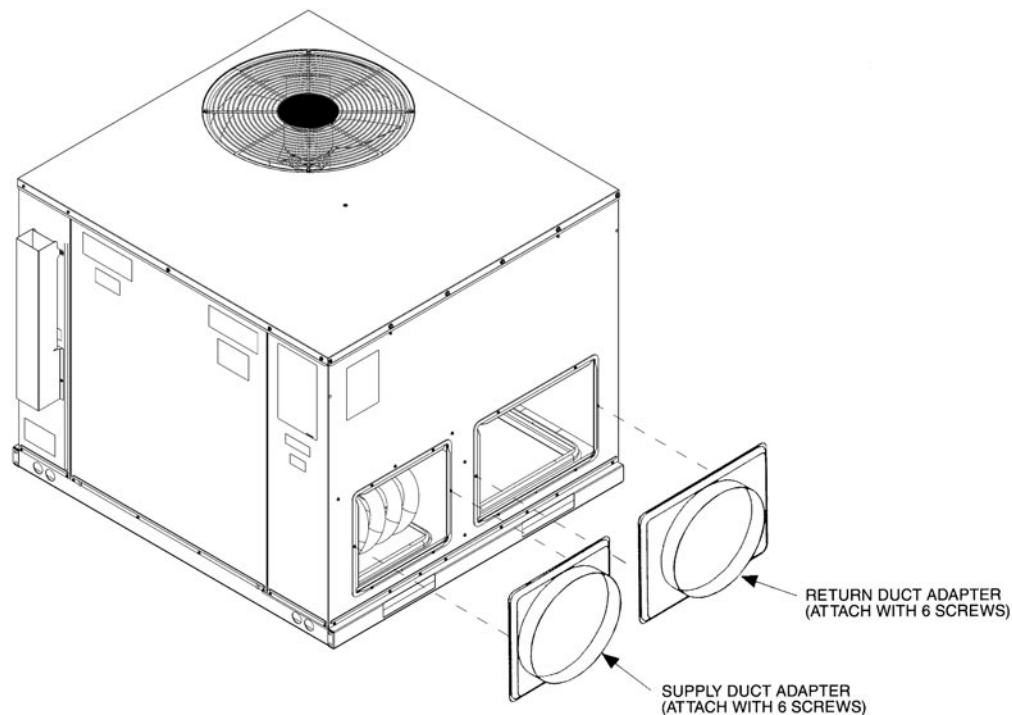


[ ] Designates Metric Conversions

## DUCT ADAPTER SIDEFLOW SQUARE TO ROUND TRANSITION AXMC-BA01

Adapts the side rectangular supply and return openings to 14" [356 mm] diameter round openings. Adapters provided with same finish as unit and also provided with thermal insulation.

[ ] Designates Metric Conversions

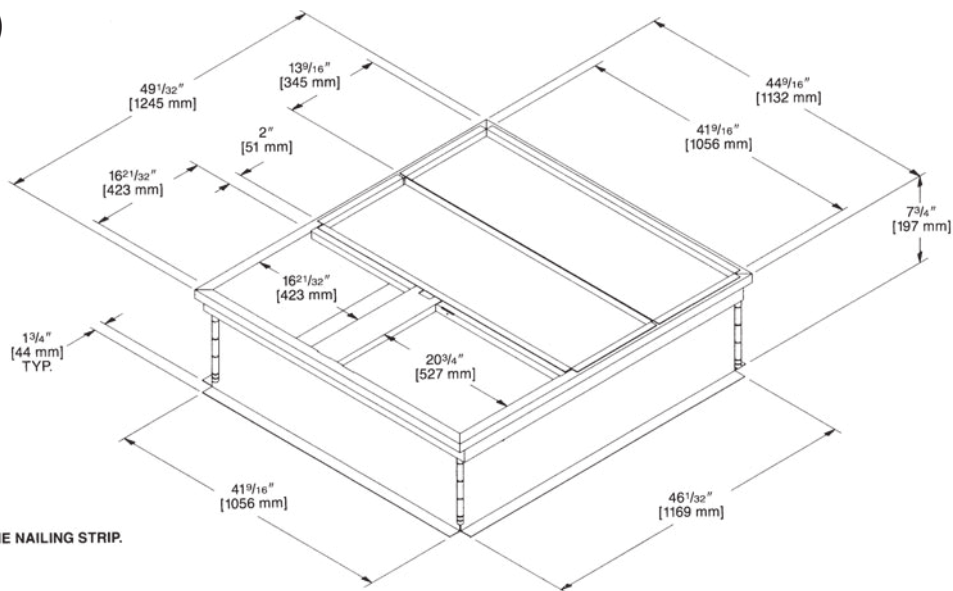


# ROOFCURB (Full Perimeter)

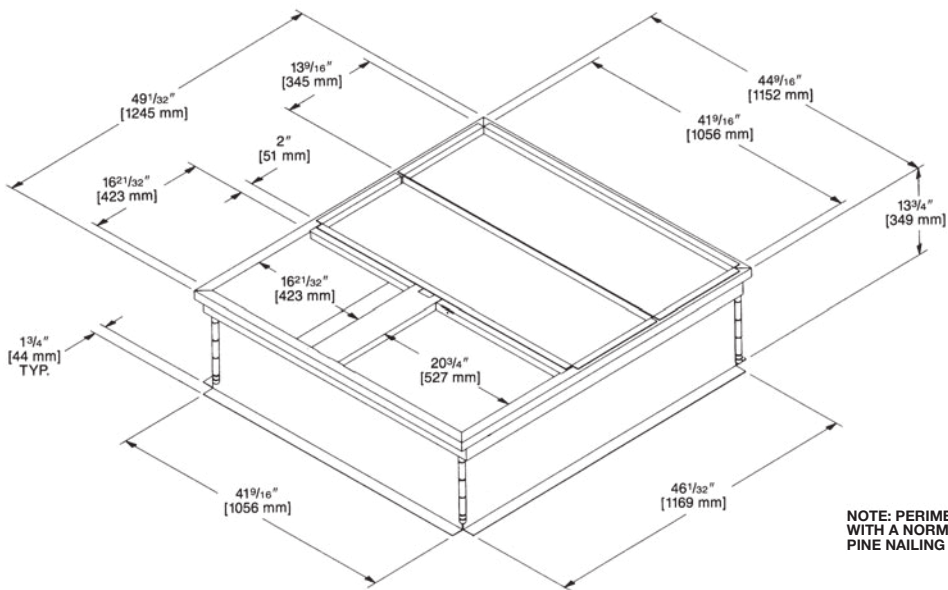
## RXSG-AAA08, RXSG-AAA14 – for the "A" cabinet

Hinged corners make for fast, easy set-up

**RXSG-AAA08**  
**(8" [203 mm] High)**



NOTE: PERIMETER OF ROOFCURB IS SUPPLIED WITH A NOMINAL 1" [25.4 mm] x 4" [102 mm] PINE NAILING STRIP.



**RXSG-AAA14**  
**(14" [356 mm] High)**

NOTE: PERIMETER OF ROOFCURB IS SUPPLIED WITH A NORMAL 1" [25.4 mm] x 4" [102 mm] PINE NAILING STRIP.

[ ] Designates Metric Conversions

# ROOFCURB (Full Perimeter) RXSG-AXA14, RXSG-AXA24 - for the "X" cabinet

Hinged corners make for  
fast, easy set-up

**RXSG-AXA14  
(14" [356 mm] Height)**

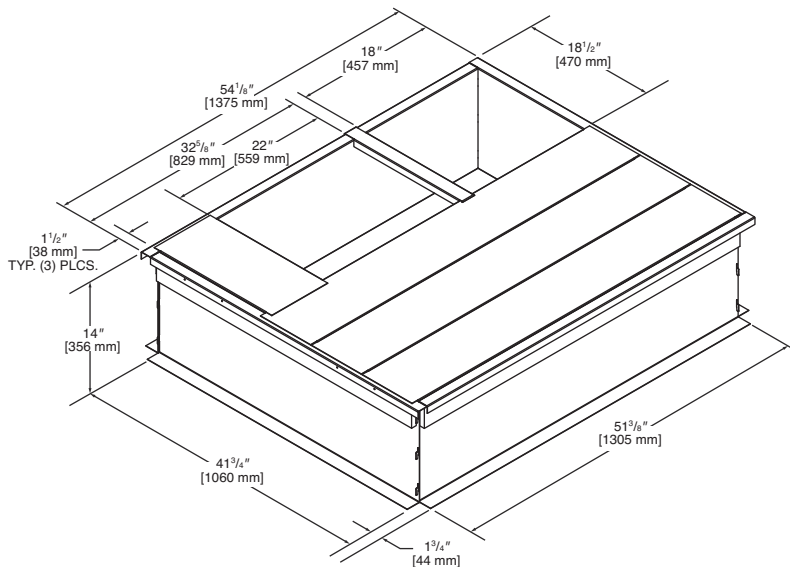


Illustration  
ST-A1334-14-00

**RXSG-AXA24  
(24" [610 mm] Height)**

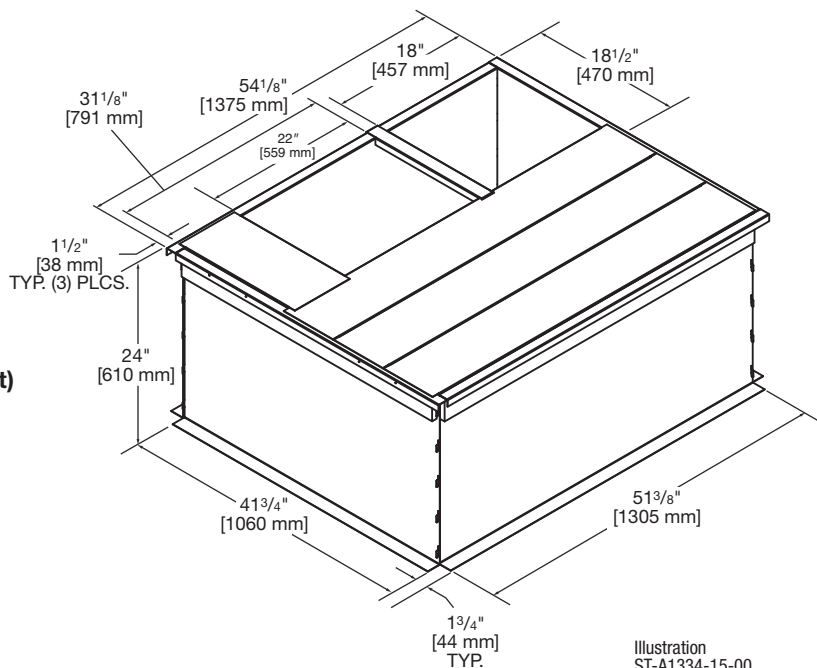
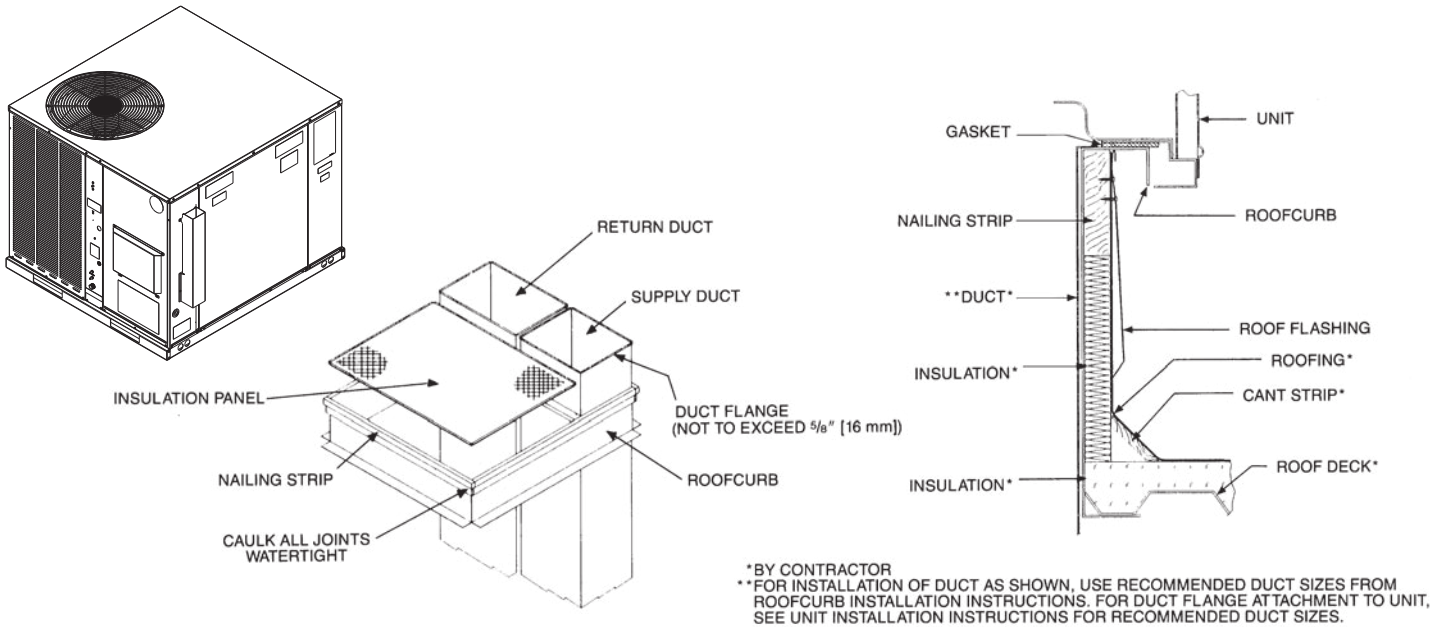


Illustration  
ST-A1334-15-00

NOTE: PERIMETER OF ROOFCURB IS SUPPLIED  
WITH A NORMAL 1" [25.4 mm] x 4" [102 mm]  
PINE NAILING STRIP.

# PACKAGED AIR CONDITIONERS & PACKAGED GAS/ELECTRIC UNITS ROOFCURB INSTALLATION (Full Perimeter)



## ROOFCURB ADAPTERS

Fabricated from galvanized steel to adapt the New cabinet to the old style curb. All are furnished with a New gasket.

### OLD MODEL

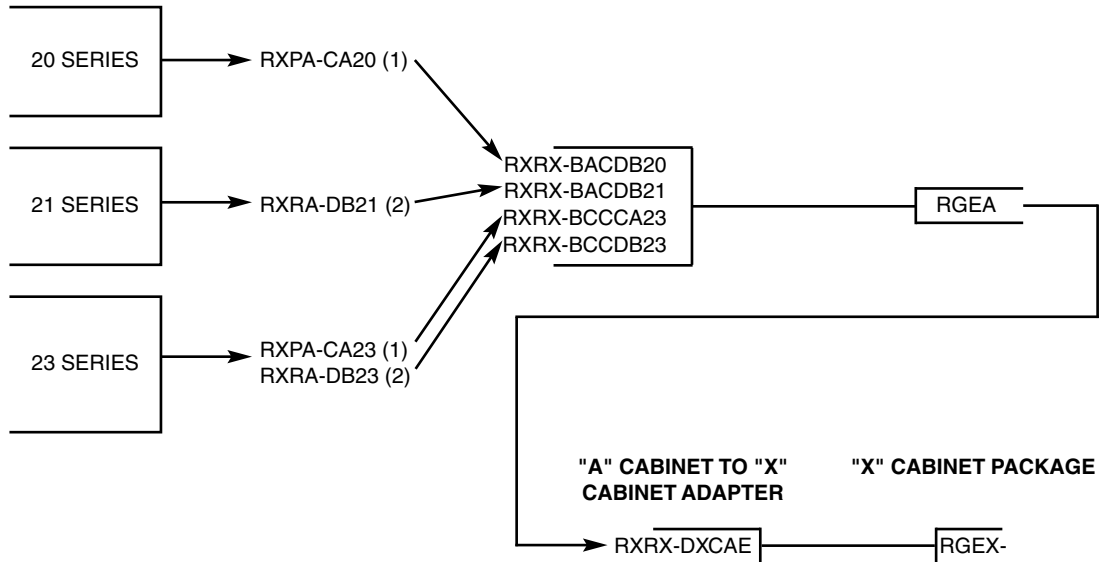
**SMALL CABINET**  
(1½-2 TON) [5.28-7.03 KW]  
RSNC-, RSND-, RSNE-  
RRGE-, RRGF-, RRGG-, RSNY

**MEDIUM CABINET**  
(2½-3 TON) [8.79-10.55 KW]  
RSNC-, RSND-, RSNE-  
RRGE-, RRGF-, RRGG-, RSNY

**EXTRA LARGE CABINET**  
(3½-5 TON) [12.31-17.58 KW]  
RSNC-, RSND-, RSNE-  
RRGE-, RRGF-, RRGG-, RSNY  
(4-5 TON) [14.07-17.58 KW]

(1) SLOPE TYPE  
(2) FULL PERIMETER TYPE

### OLD CURB MODEL "A" CABINET TO OLD MODEL "A" CABINET PACKAGE ROOF ADAPTER



[ ] Designates Metric Conversions

## FRESH AIR DAMPER

**AXRF-FAA1 (Fixed - 0-35%) - RGEA**  
**AXRF-FAA2 (Fixed - 0-35%) - RGEX**

The 0-35% manual outside Air Damper is designed to replace the unit return air duct cover. No drilling or damper assembly is required. The amount of outside air (0-35%) is controlled by simply adjusting the side damper.

**AXRF-FAB1 (Motorized - 0-35%) - RGEA**  
**AXRF-FAB2 (Motorized - 0-35%) - RGEX**

The 0-35% motorized outside Air Damper is designed to replace the unit return air duct cover. No drilling or damper assembly is required. The control motor opens the adjustable side damper when the unit blower motor is energized.

**AXRF-FAA1**  
**AXRF-FAB1**

CAULK INSIDE OF CORNERS  
(TYP. 4 PLACES) (304112) MATERIAL

$\frac{3}{4}$ "  
[19 mm]

$20\frac{1}{2}$ "  
[521 mm]

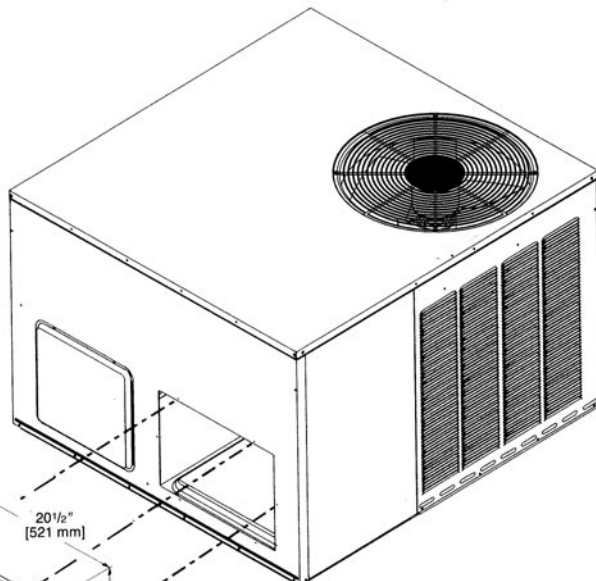
SHIP HOOD REMOVED

$15\frac{1}{8}$ "  
[384 mm]

(304101) GASKET  $\frac{1}{8}$ " [3.18 mm] x  $\frac{1}{2}$ " [12.7 mm]  
 $\frac{5}{8}$ " [15.87 mm] FLANGE ON BACK SIDE

$13\frac{3}{4}$ "  
[349 mm]

12"  
[305 mm]



CAULK INSIDE OF CORNERS  
(TYP. 4 PLACES)  
(304112) MATERIAL

$.548$ "  
[13.92 mm]

SHIP HOOD REMOVED

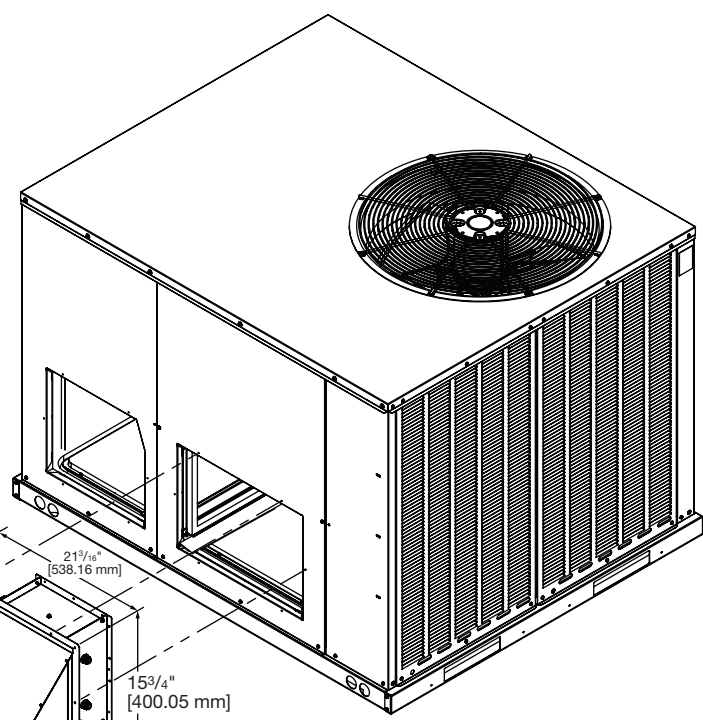
$21\frac{3}{16}$ "  
[538.16 mm]

$15\frac{3}{4}$ "  
[400.05 mm]

(304101) GASKET  $\frac{1}{8}$ " [3.18mm] x  $\frac{1}{2}$ " [12.70 mm]  
 $\frac{5}{8}$ " [15.87 mm] FLANGE ON BACK SIDE

$13\frac{3}{4}$ "  
[349.25 mm]

$12\frac{63}{64}$ "  
[329.83 mm]



**AXRF-FAA2**  
**AXRF-FAB2**

Illustration  
ST-A1334-12-00

[ ] Designates Metric Conversions



## ECONOMIZERS

### AXRD-01RACAM3 (Fully Modulating)

#### Horizontally and Vertically Applicable for the "A" cabinet

- LCD Screen for Continuous diagnostic and system status
- Programmable set points for accurate positioning
- Simplified wiring and color coded terminals
- Onboard fault detection and diagnostics (FDD)
- Operational Checkout to verify installation
- Enthalpy sensors and actuator that communicate through a Sylk Bus Network with the Jade Controller reducing wiring errors while providing more information
- CO<sub>2</sub> sensor input for DCV (Demand Control Ventilation) applications
- RXXR-AV04 Dual Enthalpy kit available for field installation
- AMCA licensed class 1A low leak Dampers

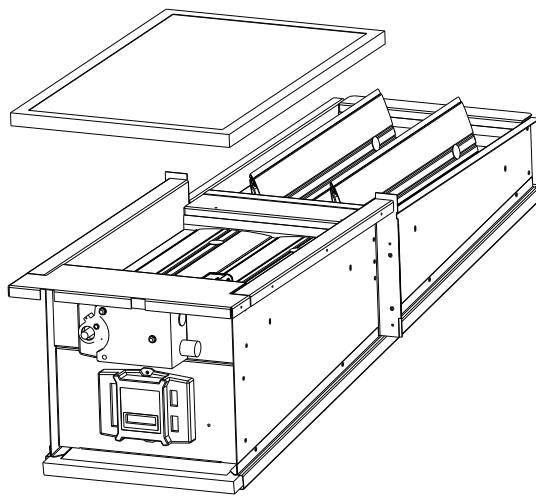
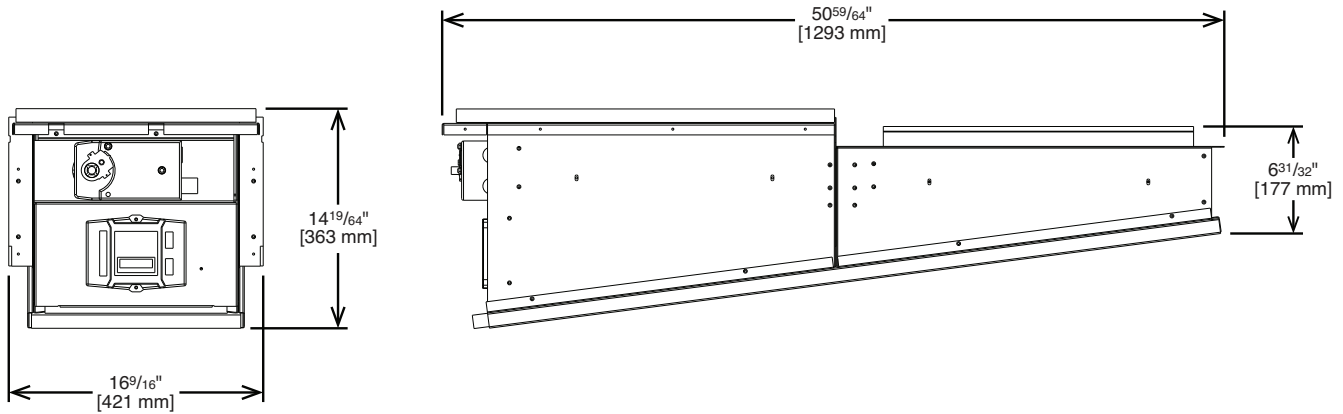
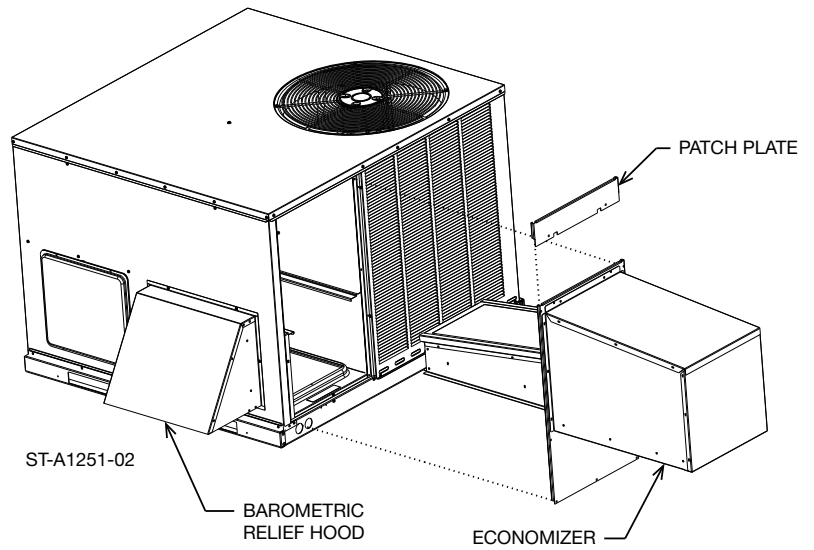


Illustration  
ST-A1251-11

[ ] Designates Metric Conversions

## ECONOMIZERS

### RXRE-11RXCAM3

#### Horizontally and Vertically Applicable for the "X" cabinet

- LCD Screen for Continuous diagnostic and system status
- Programmable set points for accurate positioning
- Simplified wiring and color coded terminals
- Onboard fault detection and diagnostics (FDD)
- Operational Checkout to verify installation
- Enthalpy sensors and actuator that communicate with Siemens controller reducing wiring errors while providing more information
- Setup and configure the economizer controller before putting it into usage by using the Climatix Mobile app or the inbuilt display
- CO<sub>2</sub> sensor input for demand control ventilation (DCV) applications
- RXRX-BV03 dual enthalpy kit available for field installation
- AMCA licensed class 1A low leak dampers

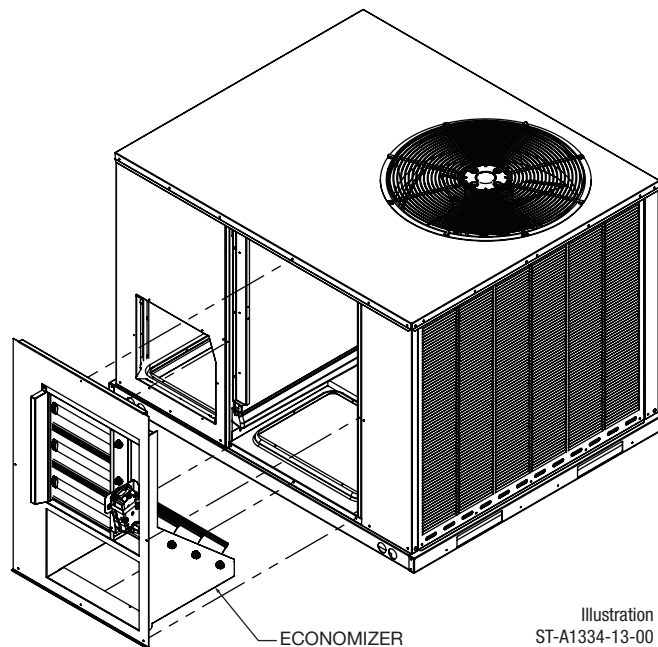


Illustration  
ST-A1334-13-00

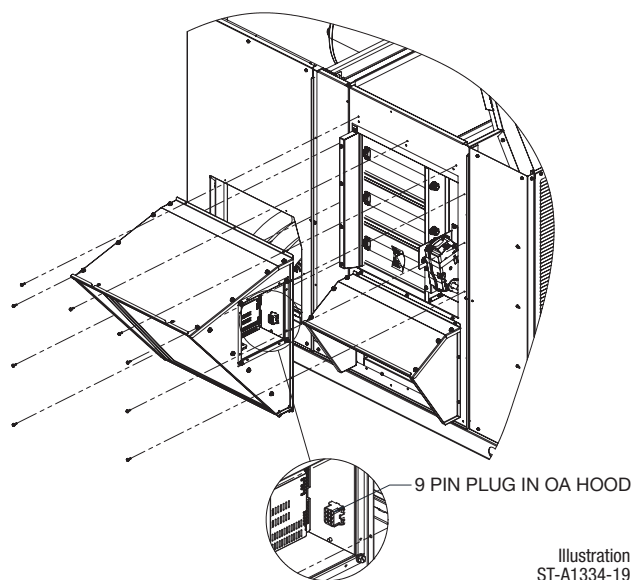
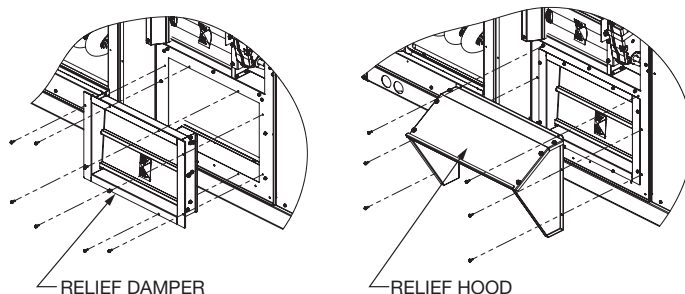


Illustration  
ST-A1334-19

#### VERTICAL APPLICATION



#### HORIZONTAL APPLICATION

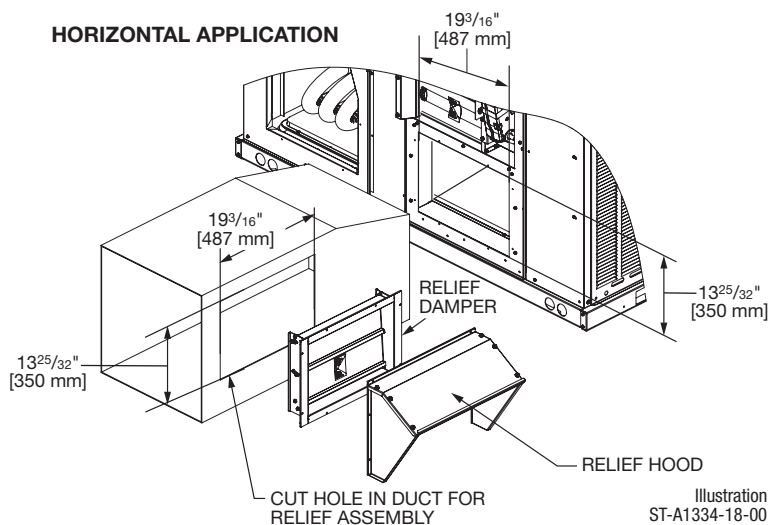
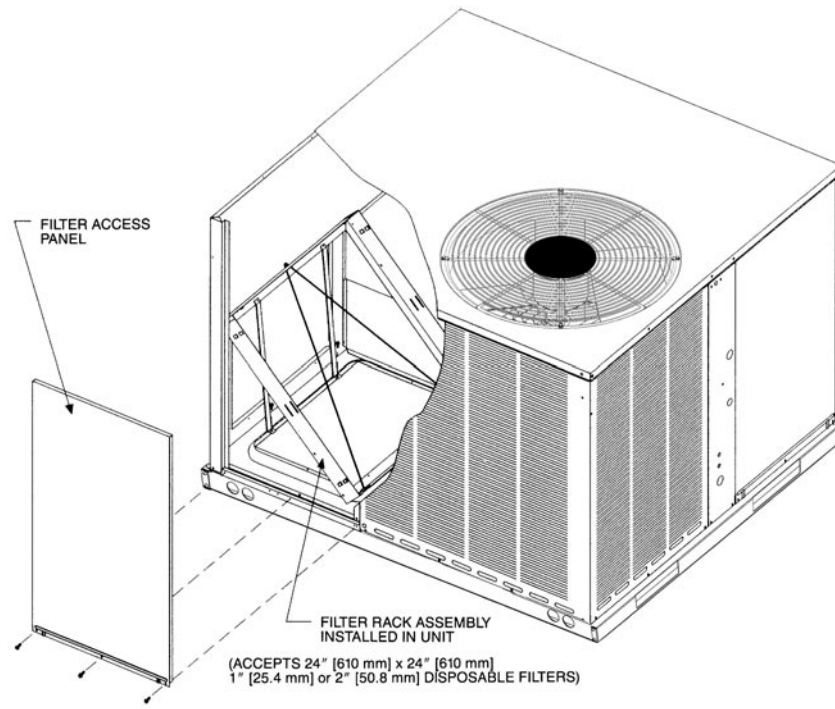


Illustration  
ST-A1334-18-00

# FILTER KIT INSTALLATION RXRY-B01

For use in either  
vertical or horizontal  
discharge with the "A" cabinet

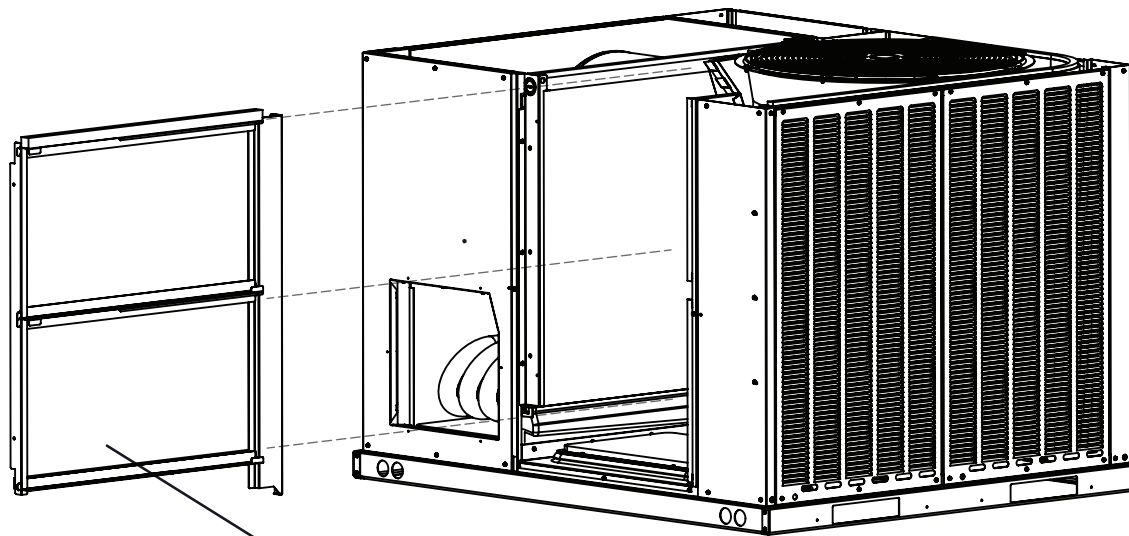


Airflow Pressure Drop, Inches W.C. [kPa]		
CFM [L/s]	1" Filter	2" Filter
500 [236]	.02 [.0050]	.03 [.0075]
600 [283]	.02 [.0050]	.03 [.0075]
700 [330]	.03 [.0075]	.04 [.0101]
800 [378]	.04 [.0101]	.05 [.0124]
900 [425]	.05 [.0124]	.06 [.0149]
1000 [472]	.07 [.0174]	.08 [.0199]
1100 [519]	.08 [.0199]	.09 [.0224]
1200 [566]	.10 [.0249]	.12 [.0299]
1300 [614]	.13 [.0324]	.15 [.0373]
1400 [661]	.16 [.0398]	.19 [.0473]
1500 [708]	.19 [.0473]	.21 [.0523]
1600 [755]	.20 [.0498]	.23 [.0572]
1700 [802]	.21 [.0523]	.24 [.0598]
1800 [850]	.22 [.0548]	.25 [.0623]
1900 [897]	.24 [.0598]	.27 [.0672]
2000 [944]	.26 [.0647]	.29 [.0722]

[ ] Designates Metric Conversions

## FILTER KIT INSTALLATION RXRY-B02

For use in either  
vertical or horizontal  
discharge with the "X" cabinet



(ACCEPTS 16" [406 mm] X 30" [762 mm]  
1" [25.4 mm] DISPOSABLE FILTERS)

Illustration  
ST-A1352-01-00A

[ ] Designates Metric Conversions

Airflow Pressure Drop (1" filter)	
CFM [L/s]	Inches W.C. [kPa]
600 [283]	0.01 [0.002]
800 [378]	0.01 [0.002]
1000 [472]	0.02 [0.005]
1200 [566]	0.03 [0.008]
1400 [661]	0.05 [0.012]
1600 [755]	0.07 [0.017]
1800 [850]	0.08 [0.021]
2000 [944]	0.10 [0.026]

[ ] Designates Metric Conversions

**BEFORE PURCHASING THIS APPLIANCE, READ IMPORTANT ENERGY COST AND EFFICIENCY INFORMATION AVAILABLE FROM YOUR RETAILER.**

**GENERAL TERMS OF LIMITED WARRANTY\***

Mainline® will furnish a replacement for any part of this product which fails in normal use and service within the applicable periods stated, in accordance with the terms of the limited warranty.

**Heat Exchanger**

- Factory Standard .....Ten (10) Years
- Stainless Steel/1-Phase & 3-Phase Models
- Commercial Application.....Twenty (20) Years
- Stainless Steel/1-Phase Models
- Residential Application.....Limited Lifetime

\*For complete details of the Limited and Conditional Warranties, including applicable terms and conditions, contact your local contractor or the Manufacturer for a copy of the product warranty certificate.

**Conditional Parts (Registration Required)**

- 1 Phase, Residential Applications.....Ten (10) Years

**Compressor**

- 1 Phase, Residential Applications.....Ten (10) Years
- 1 & 3 Phase, Commercial Applications.....Five (5) Years

**Parts**

- Commercial Applications.....One (1) Year

**Before proceeding with installation, refer to installation instructions packaged with each model, as well as complying with all Federal, State, Provincial, and Local codes, regulations, and practices.**