

Single Zone Ductless Heat Pump Systems • 19 SEER2 • Prime 19 Series

Product Specifications



MAINLINE®

Reliably Comfortable.®

Slim, stylish and elegant, these ductless wall mount heat pump units from Mainline® feature 19 SEER2 efficiency, inverter driven compressor technology, wireless remote control, and utilizes environmentally friendly R410A refrigerant. Each ductless indoor unit is designed to heat or cool a single room, while blending seamlessly into any decor. 208/230 or 115 volt models available. 208/230 volt indoor models are compatible with Mainline® multi-zone ductless heat pump systems.



FEATURES

- Low ambient cooling operation to 0°F
- Heating to -4°F
- Wi-Fi equipped for remote monitoring & control
- Base pan heater & crankcase heater
- Multiple fan speeds for maximum comfort & quiet operation
- Memory function
- Turbo feature increases airflow to assist in reaching temperature set point
- Self diagnosis
- Timer function
- Intelligent pre-heating / defrost eliminates unnecessary defrost cycles & prevents cold airflow at startup
- Control lock prevents tampering
- Smart 1 hertz inverter technology
- Permanent, washable air filters
- Over-current protection
- Anti freeze protection
- IFEEL function – when active senses room temperature at location of remote for improved occupant comfort

Available 208/230 Volt Models

Outdoor Unit No.	Indoor Unit No.
BB09HXCA5D-O	BB09HXCA5D-I
BB12HXCA5D-O	BB12HXCA5D-I
BB18HXCA5D-O	BB18HXCA5D-I
BB24HXCA5D-O	BB24HXCA5D-I

Available 115 Volt Models

Outdoor Unit No.	Indoor Unit No.
BB09HXCA5A-O	BB09HXCA5A-I
BB12HXCA5A-O	BB12HXCA5A-I

Available Accessories

Description	Model No.
Optional wall mount control	XE-71
Optional wall mount programmable premium controller	XK-76
Optional thermostat adapter <i>* 24 Volt transformer required</i>	SQZ003A01

Model Number Nomenclature

BB	Mainline
09/12/18/24	Nominal BTUH
HXC	Efficiency Level
A5	Panel design
A/D	Voltage A=115 D=208/230
-O/-I	Outdoor Unit/Indoor Unit

Warranty

See warranty information for more details.

All dimensions listed are nominal. MAINLINE® reserves the right to make product and material changes at any time without notice.



Contact your sales representative for more information or visit our website at hvacmainline.com

Single Zone Ductless Heat Pump Systems • 19 SEER2 • Prime 19 Series

Product Specifications



MAINLINE

Reliably Comfortable.®

TECHNICAL SPECIFICATIONS

Outdoor Unit No.	Indoor Unit No.	Nominal BTUH	Clg. Cap. BTUH	Htg. Cap. BTUH	SEER2	EER2	HSPF2	COP	Voltage
BB09HXCA5A-O	BB09HXCA5A-I	9,000	3000-11000	2200-13000	19.5	11.3	8.6	3.6	115
BB12HXCA5A-O	BB12HXCA5A-I	12,000	2388-13307	2388-15013	17.5	8.7	8.5	3.5	115
BB09HXCA5D-O	BB09HXCA5D-I	9,000	2800-10300	2200-12200	19.5	11.3	8.8	3.8	208/230-1
BB12HXCA5D-O	BB12HXCA5D-I	12,000	2388-13307	2388-15013	17.5	8.7	8.5	3.5	208/230-1
BB18HXCA5D-O	BB18HXCA5D-I	18,000	3753-19960	2730-22519	19	10.1	8.5	3.2	208/230-1
BB24HXCA5D-O	BB24HXCA5D-I	24,000	6824-25249	5971-27296	18	11.6	8.5	3.4	208/230-1

Reference product service manual for extended performance data.

Outdoor Unit No.	Indoor Unit No.	Liq. Conn. (Flare)	Suct. Conn. (Flare)	Refrig. Charge	Charge Length	Max Pipe Length	Add'l Charge Oz/Ft.	Max. Vert. Rise
BB09HXCA5A-O	BB09HXCA5A-I	1/4"	3/8"	24.6 Oz.	25'	66'	.2	33'
BB12HXCA5A-O	BB12HXCA5A-I	1/4"	3/8"	24.6 Oz.	25'	66'	.2	33'
BB09HXCA5D-O	BB09HXCA5D-I	1/4"	3/8"	24.7 Oz.	25'	66'	.2	33'
BB12HXCA5D-O	BB12HXCA5D-I	1/4"	3/8"	19.4 Oz.	25'	66'	.2	33'
BB18HXCA5D-O	BB18HXCA5D-I	1/4"	1/2"	35.3 Oz.	25'	82'	.2	33'
BB24HXCA5D-O	BB24HXCA5D-I	1/4"	5/8"	52.9 Oz.	25'	82'	.5	33'

Line set length must be 10' minimum (Not including indoor unit connection stub).

Outdoor Unit No.	Indoor Unit No.	MOP	MCA	ODU Sound Level	IDU Sound Level/Fan Speed	Indoor Weight	Outdoor Weight
BB09HXCA5A-O	BB09HXCA5A-I	20	16	51 DB	26-41 DB	20 Lbs.	60 Lbs.
BB12HXCA5A-O	BB12HXCA5A-I	30	20	52 DB	27-47 DB	20 Lbs.	60 Lbs.
BB09HXCA5D-O	BB09HXCA5D-I	15	9	49 DB	26-41 DB	20 Lbs.	54 Lbs.
BB12HXCA5D-O	BB12HXCA5D-I	15	11	51 DB	27-47 DB	20 Lbs.	54 Lbs.
BB18HXCA5D-O	BB18HXCA5D-I	20	14	54 DB	32-50 DB	29 Lbs.	72 Lbs.
BB24HXCA5D-O	BB24HXCA5D-I	20	15	57 DB	36-51 DB	33 Lbs.	97 Lbs.

SEER2=Seasonal Energy Efficiency Ratio – M1 Compliant
 EER2=Energy Efficiency Ratio – M1 Compliant
 HSPF2=Heating Season Performance Factor – M1 Compliant
 COP=Coefficient of Performance
 MOP = Maximum Overcurrent Protection
 MCA = Minimum Circuit Ampacity



Contact your sales representative for more information or visit our website at hvacmainline.com

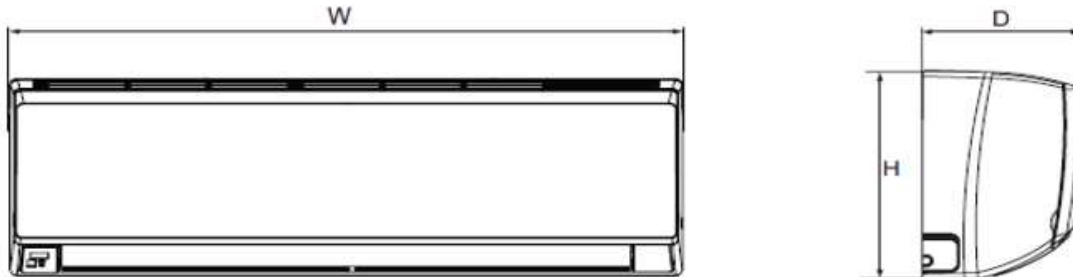
Single Zone Ductless Heat Pump Systems • 19 SEER2 • Prime 19 Series

Product Specifications



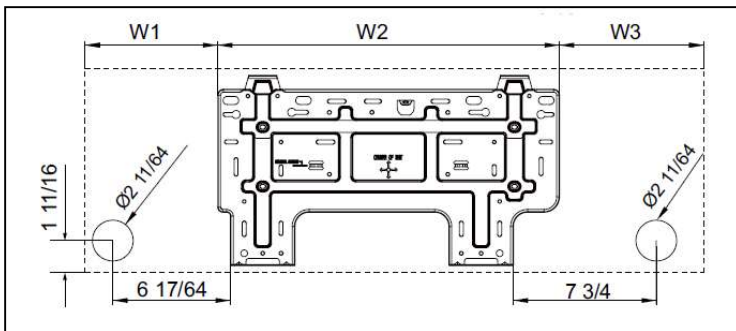
MAINLINE

Reliably Comfortable.®

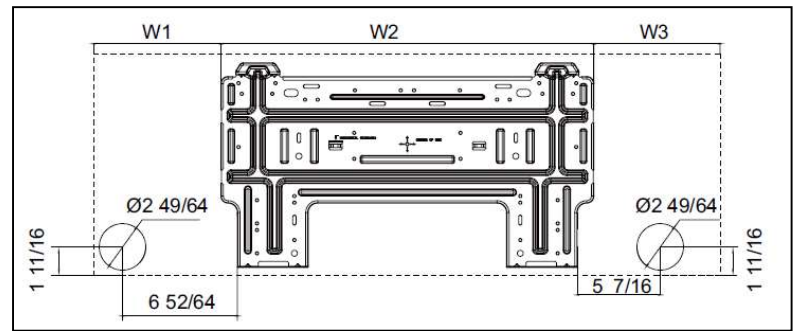


	W	H	D	W1	W2	W3
9k	32 7/8	10 53/64	7 7/8	7 3/64	18 5/32	7 11/16
12k	32 7/8	10 53/64	7 7/8	7 3/64	18 5/32	7 11/16
18k	37 1/8	13 7/64	9 11/16	7 3/64	22 3/32	7 31/64
24k	42 7/16	13 7/64	9 11/16	10 3/16	22 3/32	10 5/32

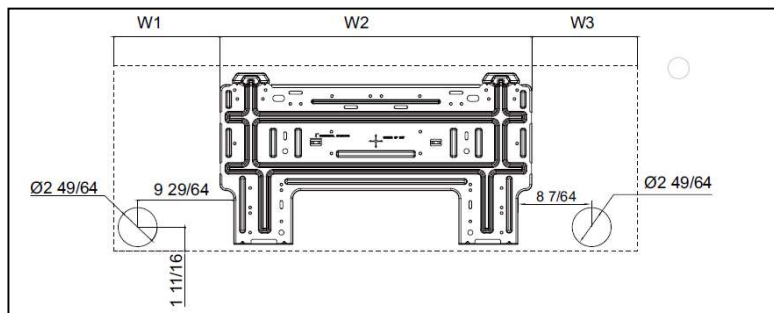
9 & 12K Models



18K Model



24K Model



Contact your sales representative for more information or visit our website at hvacmainline.com

Single Zone Ductless Heat Pump Systems • 19 SEER2 • Prime 19 Series

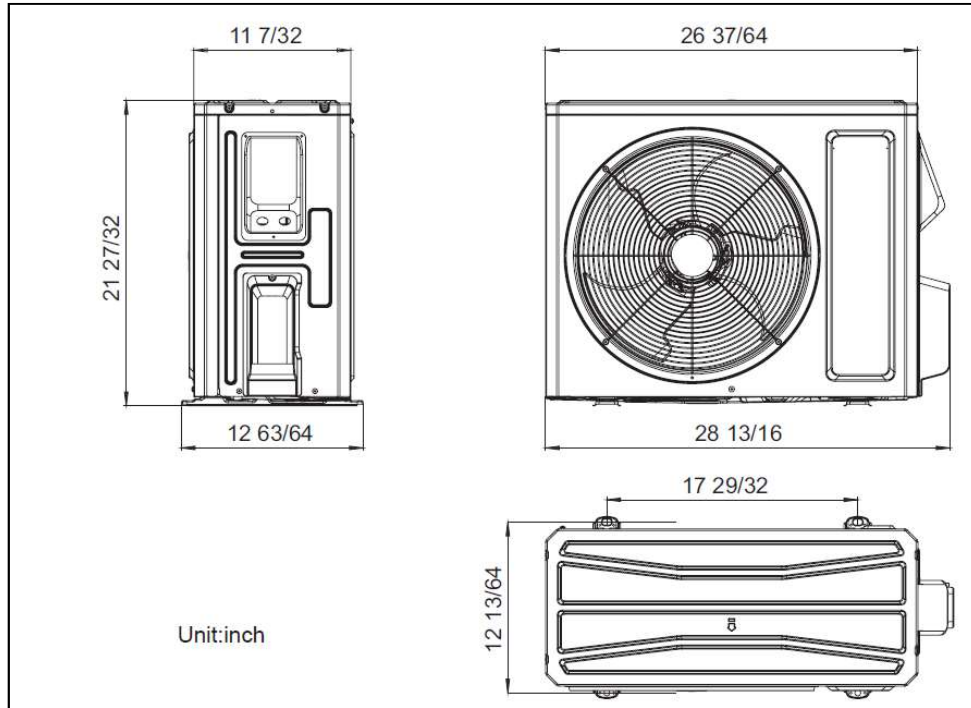
Product Specifications



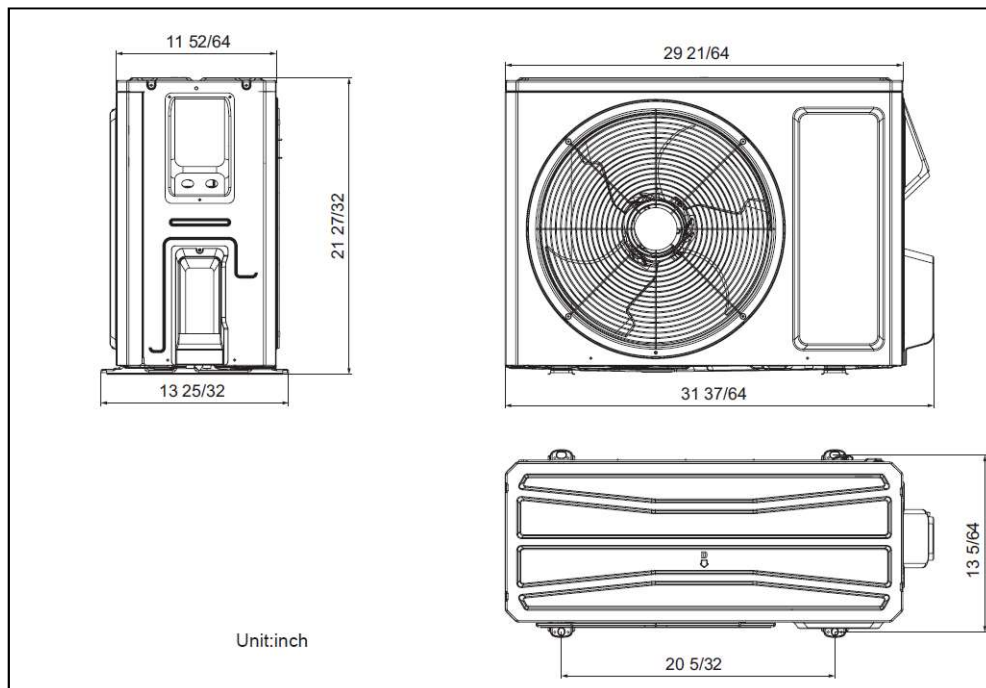
MAINLINE

Reliably Comfortable.®

9 & 12K Models



18K Models



Contact your sales representative for more information or visit our website at hvacmainline.com

Single Zone Ductless Heat Pump Systems • 19 SEER2 • Prime 19 Series

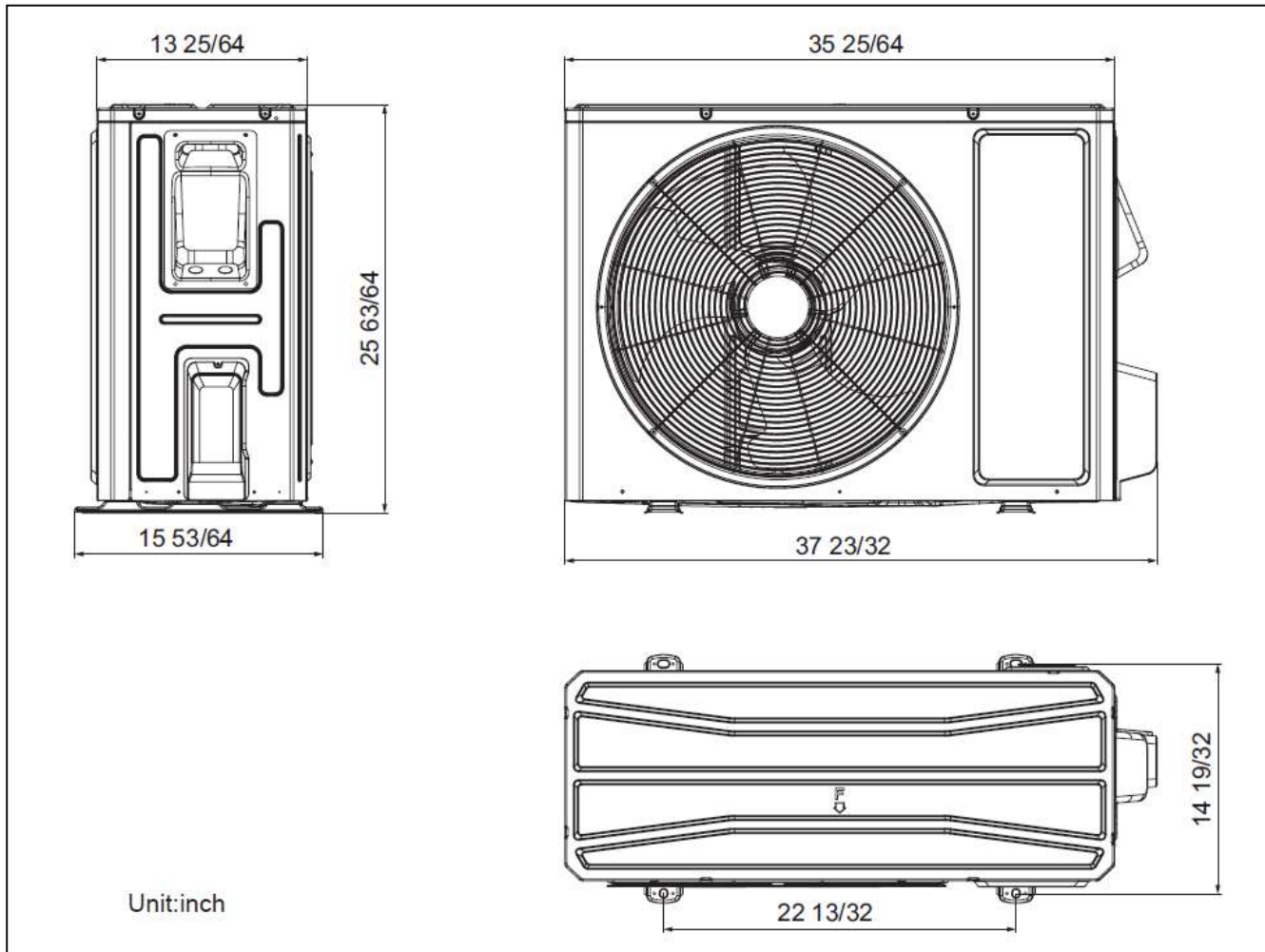
Product Specifications



MAINLINE

Reliably Comfortable.®

24K Models



Contact your sales representative for more information or visit our website at hvacmainline.com

Revised 9/5/2023