

# Floor/Ceiling Mount • Indoor Unit – Multi Zone System Component– 16-22 SEER2 Models

## Product Specifications



**MAINLINE**

Reliably Comfortable.®

## FEATURES

- Can be mounted horizontally on a ceiling, or vertically on the ground level
- 2 thermistor control maintain proper refrigerant metering
- 24-hour on/off timer
- Auto operation
- Auto restart
- Chaos swing provides constant airflow
- Control lock function
- Anti freeze protection
- Wireless remote control
- Standard wired controller
- Utilize Preferred 25 outdoor unit for single zone applications.



### Available Model No.

TM09HTD-I
TM12HTD-I
TM18HTD-I
TM24HTD-I

BB Prefix = Mainline Branded Product

TM Prefix = Tosot Branded Product

Available Accessories	
Description	Model No.
Optional wall mount control	XE-71
Optional wall mount programmable premium controller	XK-76
Optional thermostat adapter * 24 Volt transformer required	SQZ003A01

Model Number Nomenclature	
T	Tosot
M	Multi Zone
12/18/24	Nominal BTUH
HT	Panel design
D	D=208/230
-I	Indoor Unit

Indoor Unit No.	Type	Nominal Capacity	Unit Dimensions H x W x D	Weight	IDU Sound Level/Fan Speed	Liq. Conn. (Flare)	Suct. Conn. (Flare)
TM09HTD-I	Universal Mount (Floor/Ceiling)	9,000	27-1/2 x 48 x 8-7/8"	88 Lbs.	40/38/36 DB	¼"	3/8"
TM12HTD-I	Universal Mount (Floor/Ceiling)	12,000	27-1/2 x 48 x 8-7/8"	88 Lbs.	40/38/36 DB	¼"	3/8"
TM18HTD-I	Universal Mount (Floor/Ceiling)	18,000	27-1/2 x 48 x 8-7/8"	88 Lbs.	45/42/40 DB	¼"	½"
TM24HTD-I	Universal Mount (Floor/Ceiling)	24,000	27-1/2 x 48 x 8-7/8"	88 Lbs.	48/46/44 DB	3/8"	5/8"

## Warranty

See warranty information for more details.

All dimensions listed are nominal. MAINLINE® reserves the right to make product and material changes at any time without notice.



Contact your sales representative for more information or visit our website at [hvacmainline.com](http://hvacmainline.com)

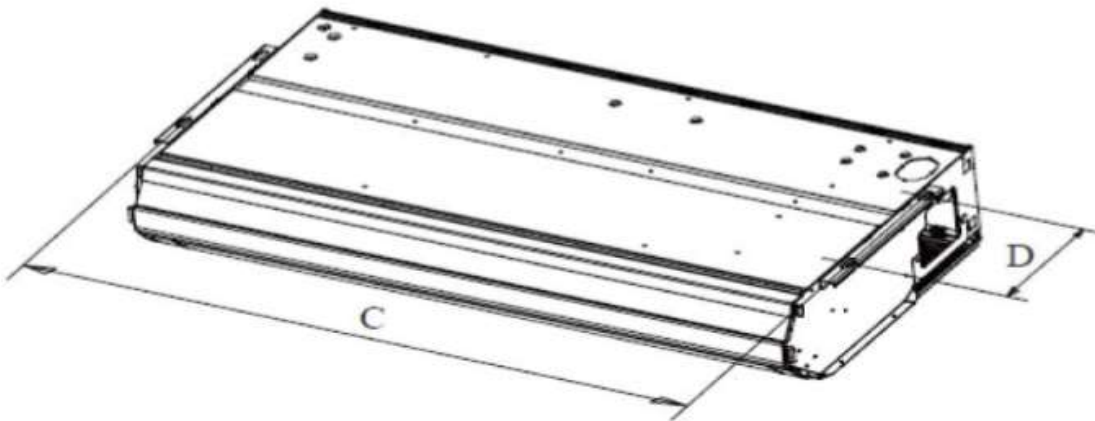
# Floor/Ceiling Mount • Indoor Unit – Multi Zone System Component– 16-22 SEER2 Models

Product Specifications



**MAINLINE**

Reliably Comfortable.®



A	B	H	C	D
1220	225	700	1158	280
48 1/32	8 55/64	27 9/16	45 19/32	11 1/32

## Warranty

See warranty information for more details.

All dimensions listed are nominal. MAINLINE® reserves the right to make product and material changes at any time without notice.



Contact your sales representative for more information or visit our website at [hvacmainline.com](http://hvacmainline.com)