

Outdoor Unit – Multi-Zone System Component– 16-22 SEER2 Models

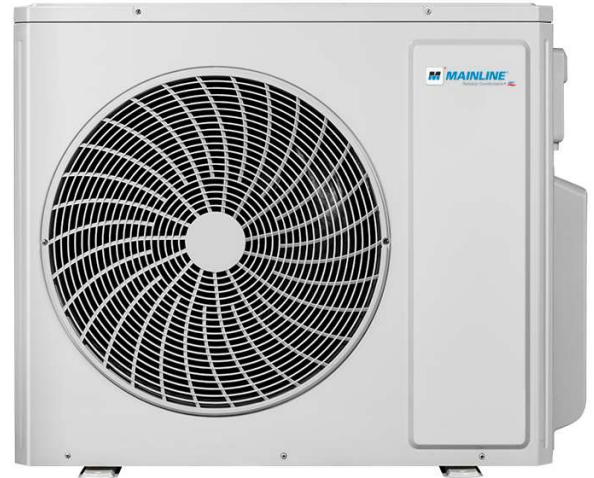
Product Specifications



MAINLINE

Reliably Comfortable.®

For the ultimate in comfort and flexibility, Mainline® offers multi zone ductless heating & cooling equipment capable of conditioning up to 5 distinct zones of a home or light commercial structure. Several types of indoor units can be installed with this outdoor unit: Wall mounted, ducted, console, floor/ceiling & cassette type indoor units are available for any application. Follow installation manual regarding piping & proper indoor unit selection. 208/230 volt – Single phase only.



FEATURES

- Over load protection
- Over-current protection
- Anti freeze protection
- Multiple zones, multiple indoor unit choices
- Compressor crank case heater and pan heater allowing heating operation down to -31°
- High and low pressure protection features for system protection
- Intelligent pre-heating / defrost eliminates unnecessary defrost cycles & prevents cold airflow at startup
- 80% Heating capacity at -22° F
- Optional BMS Integration *
- *HX Models only

Available Models

| -22° Ambient | -31° Ambient |
|--------------|--------------|
| BBM18HX4-O | TM18H5-O |
| BBM24HX4-O | TM24H5-O |
| BBM30HX4-O | TM36H5-O |
| BBM36HX4-O | TM42H5-O |
| BBM42HX4-O | |

Model Number Nomenclature

| | |
|----------------|-------------------|
| BB/T | Mainline/Tosot |
| M | Multi Zone |
| 18/24/30/36/42 | Nominal BTUH |
| HX4/H5 | Ambient Operation |
| -O | Outdoor Unit |

BB Prefix = Mainline Branded Product

TM Prefix = Tosot Branded Product



Warranty

See warranty information for more details.

All dimensions listed are nominal. MAINLINE® reserves the right to make product and material changes at any time without notice.



Contact your sales representative for more information or visit our website at hvacmainline.com

Outdoor Unit – Multi-Zone System Component– 16-22 SEER2 Models

Product Specifications



MAINLINE

Reliably Comfortable.®

TECHNICAL SPECIFICATIONS

| Outdoor Unit No. | Zones | Operating Range Clg | Operating Range Htg | Clg. Cap. BTUH | Htg. Cap. BTUH | SEER2 Non Ducted | SEER2 Ducted | EER2 | HSPF2 | COP | Voltage |
|------------------|-------|---------------------|---------------------|----------------|----------------|------------------|--------------|------|-------|-----|-----------|
| BBM18HX4-O | 2 | -22 - 118° | -22 - 75° | 7000-19600 | 7000-19600 | 21 | 16 | 12 | 10 | 3.8 | 208/230-1 |
| BBM24HX4-O | 2-3 | -22 - 118° | -22 - 75° | 7500-31400 | 7500-31400 | 21 | 16 | 12.5 | 10 | 3.9 | 208/230-1 |
| BBM30HX4-O | 2-4 | -22 - 118° | -22 - 75° | 8190-34100 | 8190-40900 | 21 | 16 | 12.5 | 10 | 3.9 | 208/230-1 |
| BBM36HX4-O | 2-4 | -22 - 118° | -22 - 75° | 8871-35826 | 8871-44356 | 21 | 16 | 12 | 10 | 3.6 | 208/230-1 |
| BBM42HX4-O | 2-5 | -22 - 118° | -22 - 75° | 8871-40944 | 8871-46062 | 21 | 16 | 12.5 | 10 | 3.9 | 208/230-1 |
| TM18H5-O | 2 | 0-118° | -31 - 75° | 7000-21000 | 8500-22600 | 21 | 16 | 12.5 | 10.5 | 3.6 | 208/230-1 |
| TM24H5-O | 2-3 | 0-118° | -31 - 75° | 7500-33000 | 7500-27978 | 21 | 16 | 12.5 | 10.5 | 3.6 | 208/230-1 |
| TM36H5-O | 2-4 | 0-118° | -31 - 75° | 8900-35800 | 8871-44356 | 21 | 16 | 9 | 10 | 3.2 | 208/230-1 |
| TM42H5-O | 2-5 | 0-118° | -31 - 75° | 8900-40900 | 8871-46062 | 21 | 14.7 | 9 | 10 | 3.4 | 208/230-1 |

| Outdoor Unit No. | Liq. Conn. (Flare) | Suct. Conn. (Flare) | Fact. Refrig. Charge | Max. Total Piping | Max. Length Per Zone | Fact. Charge Length | Add'l Charge Oz/Ft. |
|------------------|--------------------|---------------------|----------------------|-------------------|----------------------|---------------------|---------------------|
| BBM18HX4-O | ¼" (2) | 3/8" (2) | 2.9 Lbs. | 131' | 66' | 33' | .2 |
| BBM24HX4-O | ¼" (3) | 3/8" (3) | 5.3 Lbs. | 197' | 66' | 98' | .2 |
| BBM30HX4-O | ¼" (4) | 3/8" (4) | 6.6 Lbs. | 263' | 82' | 131' | .2 |
| BBM36HX4-O | ¼" (4) | 3/8" (4) | 8.2 Lbs. | 263' | 82' | 131' | .2 |
| BBM42HX4-O | ¼" (5) | 3/8" (5) | 8.4 Lbs. | 328' | 82' | 164' | .2 |
| TM18H5-O | ¼" (2) | 3/8" (2) | 3.5 Lbs. | 65.6' | 32.8' | 32.8' | .2 |
| TM24H5-O | ¼" (3) | 3/8" (3) | 4.8 Lbs. | 196.8' | 65.6' | 98.4' | .2 |
| TM36H5-O | ¼" (4) | 3/8" (4) | 8 Lbs. | 246' | 82' | 131.2' | .2 |
| TM42H5-O | ¼" (5) | 3/8" (5) | 8 Lbs. | 246' | 82' | 131.2' | .2 |

Line set length must be 10' minimum (Not including indoor unit connection stub).

| Outdoor Unit No. | Max. Elevation ODU to Highest IDU | Max. Elevation IDU to IDU | MOP | MCA | ODU Sound Level | Weight |
|------------------|-----------------------------------|---------------------------|-----|-----|-----------------|----------|
| BBM18HX4-O | 32.8' | 32.8' | 20 | 15 | 56 DB | 115 Lbs. |
| BBM24HX4-O | 32.8' | 32.8' | 25 | 19 | 59 DB | 153 Lbs. |
| BBM30HX4-O | 49.2' | 24.6' | 35 | 23 | 59 DB | 154 Lbs. |
| BBM36HX4-O | 49.2' | 24.6' | 45 | 29 | 61 DB | 198 Lbs. |
| BBM42HX4-O | 49.2' | 24.6" | 45 | 29 | 61 DB | 198 Lbs. |
| TM18H5-O | 32.8' | 32.8' | 35 | 22 | 58 DB | 115 Lbs. |
| TM24H5-O | 32.8' | 32.8' | 40 | 30 | 60 DB | 153 Lbs. |
| TM36H5-O | 49.2' | 24.6' | 60 | 36 | 62 DB | 198 Lbs. |
| TM42H5-O | 49.2' | 24.6" | 60 | 38 | 62 DB | 198 Lbs. |

SEER2=Seasonal Energy Efficiency Ratio – M1 Compliant
 EER2=Energy Efficiency Ratio – M1 Compliant
 HSPF2=Heating Season Performance Factor – M1 Compliant
 COP=Coefficient of Performance
 MOP = Maximum Overcurrent Protection
 MCA = Minimum Circuit Ampacity



Contact your sales representative for more information or visit our website at hvacmainline.com

Outdoor Unit – Multi-Zone System Component– 16-22 SEER2 Models

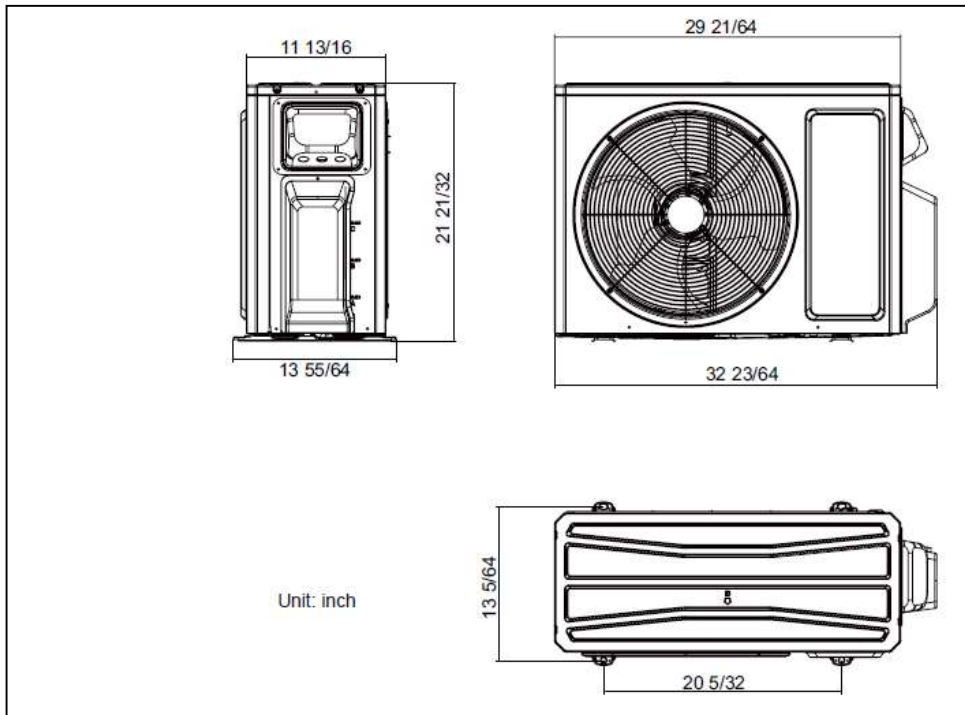
Product Specifications



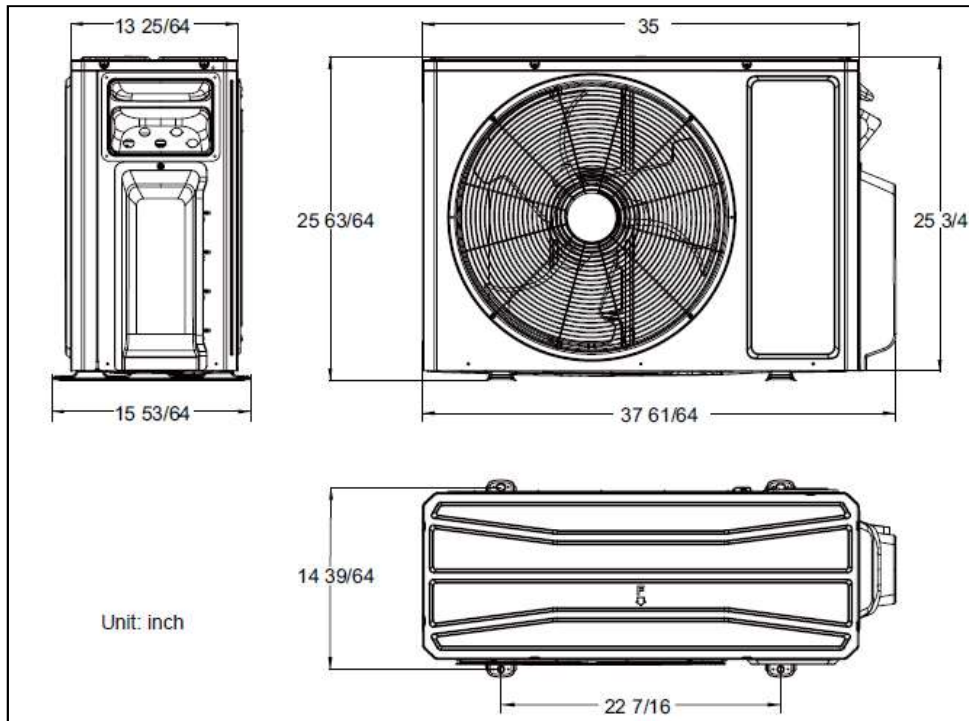
MAINLINE

Reliably Comfortable.®

18K Model



24K Model



Contact your sales representative for more information or visit our website at hvacmainline.com

Outdoor Unit – Multi-Zone System Component– 16-22 SEER2 Models

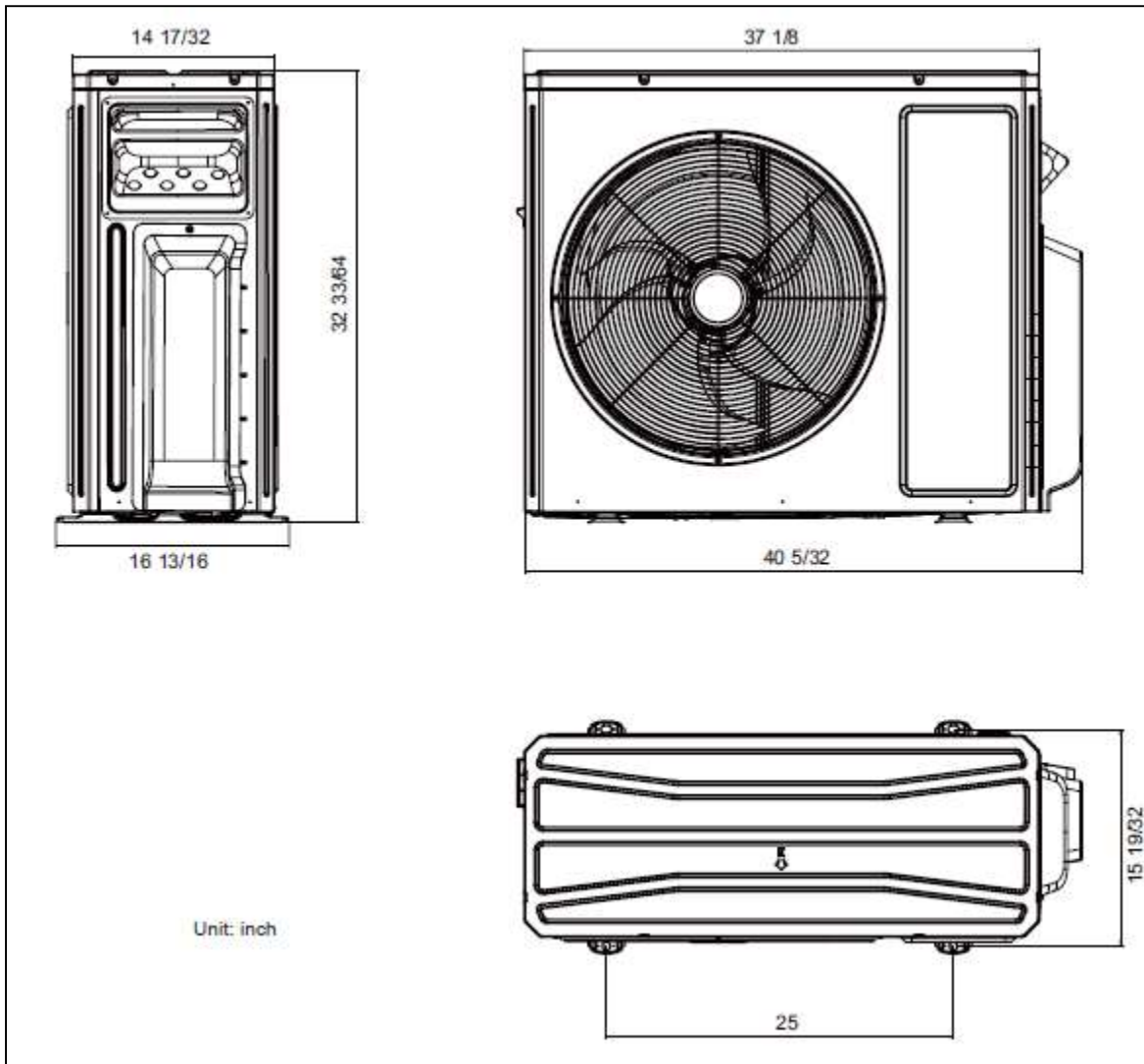
Product Specifications



MAINLINE

Reliably Comfortable.®

30, 36 & 42K Model



Contact your sales representative for more information or visit our website at hvacmainline.com

Revised 3/31/2023

Outdoor Unit – Multi-Zone System Component– 16-22 SEER2 Models

Product Specifications



MAINLINE

Reliably Comfortable.®

CONTROLLER COMPATIBILITY CHART

| | Prime 19 | Preferred 25 | Premier 38 | Multi Zone Wall Mount | Multi Zone Cassette | Multi Zone Slim duct | Multi Zone Universal mount |
|---------|----------|--------------|------------|-----------------------|---------------------|----------------------|----------------------------|
| XE71 | O | O | O | O | O | O | O |
| XK76 | O | O | O | O | O | O | O |
| XK19 | x | x | x | x | • | • | • |
| YAN1F1F | • | • | x | • | O | O | O |
| YAG1FBF | x | x | • | x | O | O | O |

• Included O Optional x Not Compatible



XK76



XE71



YAG1FBF



XK19



YAN1FBF

ALLOWABLE COMBINATION CHART

| | | | | | | | | |
|---|---------|-------|----------|----------|-----------|-------------|----------------|--|
| 18K BTU Outdoor unit BBM18HX4-O BBM18H5-O | 2 Units | | | | | | | |
| | 9+9 | | | | | | | |
| | 9+12 | | | | | | | |
| | 12+12 | | | | | | | |
| 24K BTU Outdoor unit BBM24HX4-O BBM24H5-O | 2 Units | | 3 Units | | | | | |
| | 9+9 | 12+12 | 9+9+9 | 9+12+12 | | | | |
| | 9+12 | 12+18 | 9+9+12 | 9+9+18 | | | | |
| | 9+18 | 18+18 | 12+12+12 | | | | | |
| | | | | | | | | |
| 30K BTU Outdoor unit BBM30HX4-O | 2 Units | | 3 Units | | 4 Units | | | |
| | 9+9 | 12+12 | 9+9+9 | 12+12+12 | 9+9+9+9 | | | |
| | 9+12 | 12+18 | 9+9+12 | 12+12+18 | 9+9+9+12 | | | |
| | 9+18 | 18+18 | 9+9+18 | 9+12+18 | 9+9+12+12 | | | |
| | | | 9+12+12 | | | | | |
| 36K BTU Outdoor unit BBM36HX4-O BBM36H5-O | 2 Units | | 3 Units | | 4 Units | | | |
| | 9+9 | 12+24 | 9+9+9 | 12+12+18 | 9+9+9+9 | 9+9+9+24 | | |
| | 9+12 | 18+18 | 9+9+12 | 12+12+24 | 9+9+9+12 | 9+9+18+18 | | |
| | 9+18 | 18+24 | 9+9+18 | 12+18+18 | 9+9+9+18 | 9+12+12+18 | | |
| | 9+24 | 24+24 | 9+9+24 | 9+18+18 | 9+9+12+12 | 9+12+12+12 | | |
| | 12+12 | 12+18 | 9+12+12 | 9+12+24 | 9+9+12+18 | 12+12+12+12 | | |
| | | | 9+12+18 | | 12+12+12 | | | |
| | | | 18+18+18 | | 9+18+24 | | | |
| 42K BTU Outdoor unit BBM42HX4-O TM42H5-O | 2 Units | | 3 Units | | 4 Units | | 5 Units | |
| | 9+12 | 12+24 | 9+9+9 | 12+12+18 | 9+9+9+9 | 9+9+9+24 | 9+12+12+12+12 | |
| | 9+18 | 18+18 | 9+9+12 | 12+12+24 | 9+9+9+12 | 9+9+12+24 | 9+12+12+12+18 | |
| | 9+24 | 18+24 | 9+9+18 | 12+18+18 | 9+9+9+18 | 9+9+18+18 | 12+12+12+12+12 | |
| | 12+12 | 24+24 | 9+9+24 | 9+18+18 | 9+9+12+12 | 9+9+18+24 | 9+9+9+18+18 | |
| | | | 12+18 | | 9+12+12 | | 9+9+12+12+12 | |
| | | | 9+12+18 | | 12+12+12 | | 9+9+12+12+18 | |
| | | | 9+18+24 | | 12+18+24 | | 12+12+12+12 | |
| | | | 9+24+24 | | 12+24+24 | | 9+9+12+18 | |
| | | | 18+18+24 | | 18+18+18 | | 12+12+12+18 | |



Contact your sales representative for more information or visit our website at hvacmainline.com