

# Cassette • Indoor Unit – Multi Zone System Component– 16-22 SEER2 Models

Product Specifications



**MAINLINE®**

Reliably Comfortable.®

## FEATURES

- 2 thermistor control
- 24-hour on/off timer
- Auto operation
- Auto restart
- Control lock function
- Anti freeze protection
- Wireless remote control
- 4 way air distribution
- Drain pump provides 11" of lift
- Grille included
- 24,000 BTU Model features fresh air intake – 4"
- Utilize Preferred 25 outdoor unit for single zone applications.



Available Model No.
TM12HBKD-I
TM18HBKD-I
TM24HBKD-I

Available Accessories	
Description	Model No.
Optional wall mount control	XE-71
Optional wall mount programmable premium controller	XK-76
Optional thermostat adapter * 24 Volt transformer required	SQZ003A01

Model Number Nomenclature	
T	Tosot
M	Multi Zone
12/18/24	Nominal BTUH
HBK	Panel design
D	D=208/230
-I	Indoor Unit

Indoor Unit No.	Type	Nominal Capacity	Unit Dimensions H x W x D	Grille Dimensions H x W x D	Weight	IDU Sound Level/Fan Speed	Liq. Conn. (Flare)	Suct. Conn. (Flare)
TM12HBKD-I	Cassette	12,000	9-1/2 x 23-1/2 x 23-1/2"	25-1/2 x 25-1/2 x 2"	39 Lbs.	46/44/42 DB	¼"	3/8"
TM18HBKD-I	Cassette	18,000	9-1/2 x 23-1/2 x 23-1/2"	25-1/2 x 25-1/2 x 2"	39 Lbs.	46/44/42 DB	¼"	½"
TM24HBKD-I	Cassette	24,000	9-1/2 x 33 x 33"	37-1/2 x 37-1/2 x 2"	61 Lbs.	39/37/35 DB	3/8"	5/8"

## Warranty

See warranty information for more details.

All dimensions listed are nominal. MAINLINE® reserves the right to make product and material changes at any time without notice.



Contact your sales representative for more information or visit our website at [hvacmainline.com](http://hvacmainline.com)

# Cassette • Indoor Unit – Multi Zone System Component– 16-22 SEER2 Models

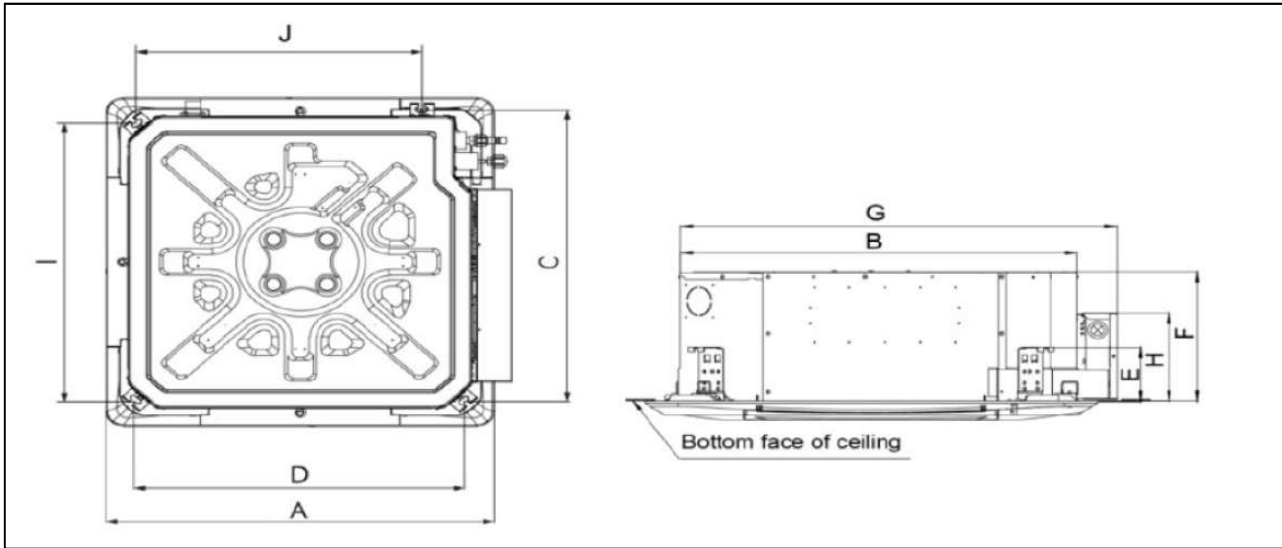
Product Specifications



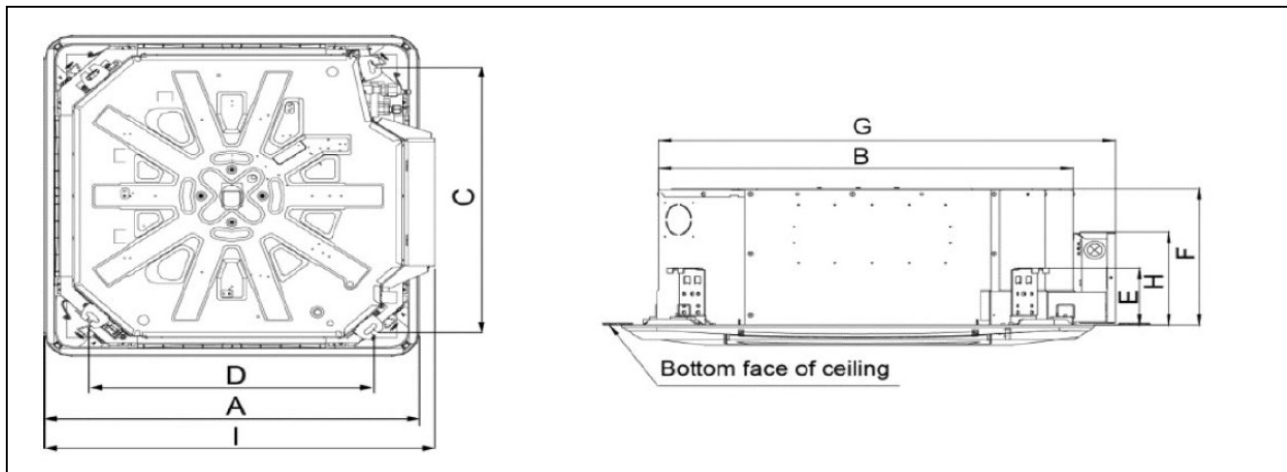
**MAINLINE**

Reliably Comfortable.®

## 12K & 18K Models



## 24K Model



### 12K & 18K Models

	mm	(inch)
A	670	(26-3/8)
B	596	(23-1/2)
C	592	(23-1/4)
D	575	(22-5/8)
E	145	(5-3/4)
F	240	(9-1/2)
G	665	(26-1/8)
H	236	(9-1/4)
I	575	(22-5/8)
J	505	(19-7/8)

### 24K Model

	mm	(inch)
A	950	(37-3/8)
B	840	(33-1/8)
C	780	(30-3/4)
D	680	(26-3/4)
E	160	(6-1/4)
F	240	(9-1/2)
G	917	(36-1/8)
H	215	(8-1/2)
I	993	(39-1/8)



Contact your sales representative for more information or visit our website at [hvacmainline.com](http://hvacmainline.com)