



Elite[®] Line Air Handlers



MLHMVZ

Motor: Constant CFM

Airflow Stages: Modulating

Expansion Device: Electronic Expansion Valve (EEV)

Efficiencies: 18+ SEER2

Manufactured for
Mainline[®]
HVACmainline.com



The Bluetooth[®] word mark and logos are registered trademarks owned by Bluetooth SIG, Inc. and any use of such marks is under license. Other trademarks and trade names are those of their respective owners.

Table of Contents

| | |
|-----------------------------------|-------|
| Features & Benefits | 3 |
| Model Number Identification | 4 |
| Dimensional Data | 5-7 |
| Airflow Directional Data | 8 |
| Airflow Performance Data | 9 |
| Electrical Data | 10-15 |
| Limited Warranty | 16 |

Features and Benefits

- **Constant CFM Motor:** Truly variable speed technology allows for ultimate humidity control, quieter sound levels and contributes to year-round energy savings
- **Quietest Operation¹:** Provided by Modulating operation and truly variable speed airflow technology and sturdy cabinet construction with 1.0 inch of foil faced insulation for some of the quietest sound characteristics
- **Diagnostics:** With the BluArch™ Contractor & EcoNet® Apps, built-in EcoNet® & Bluetooth®² technology makes monitoring, troubleshooting and repairing the product easier than ever before
- **Dip Switch Free Installation Commissioning via Bluetooth® Technology:** Seamless final install step without DIP switch configuration using the BluArch™ Contractor App
- **EcoNet® Enabled Air Handler:**
 - The latest in sensor technology and the EcoNet® monitoring system provides a new level of protection, control and energy savings
 - Allows on-the-go control and receipt of system alerts by the homeowner via the EcoNet® Smart Thermostat and EcoNet® App³
- **Aluminum Indoor Coil Design:** Are constructed of aluminum fins bonded to internally grooved aluminum tubing and are more corrosion resistant
- **Versatile 4-Way Convertible Compact Design:** Allows for upflow, downflow, horizontal left and horizontal right applications, even in the smallest of spaces
- **Rugged Steel, Compact Cabinet Construction:** Designed for added strength and versatility
- **Field-installed Auxiliary Heater Kits:** Provide exact heat for indoor comfort and include circuit breakers which meet UL and cUL requirements for service disconnect
- **Less than 2% Cabinet Air Leakage at 1-inch H₂O:** When tested in accordance with AHRAE Standard 193

¹Based on manufacturer's air handler offering, and the product's airflow stages, motor type and cabinet insulation. Sound levels are also dependent on air handler location and installation.

²The Bluetooth® word mark and logos are registered trademarks owned by Bluetooth SIG, Inc. and any use of such is under license. Other trademarks and trade names are those of their respective owners.

³WIFI broadband internet connection required. Download the EcoNet® App from the App Store® or Google Play® to set up your EcoNet® Smart Thermostat. Receipt of notifications depend on home WIFI set up. Amazon, Alexa and all related logos are trademarked of Amazon.com, Inc. or its affiliates.

Air Handlers

| <u>ML</u> | <u>H</u> | <u>M</u> | <u>V</u> | <u>Z</u> | <u>24</u> | <u>17</u> | <u>S</u> | <u>E</u> | <u>A</u> | <u>C</u> | <u>N</u> | <u>A</u> |
|---------------|----------------------------|-------------------|------------------|-------------|---|--------------------------------------|--------------|----------|----------------|--|--------------------------|------------------|
| Brand | | Stages Of Airflow | Motor Type | Refrigerant | Capacity | Width | Efficiency | Metering | Major Series | Controls | Coil Series | Voltage |
| ML - Mainline | H - Multipoise Air Handler | M - Modulating | V - Constant CFM | Z - R-410A | 24 - 2.0T 30 - 2.5T 36 - 3.0T 48 - 4.0T 60 - 5.0T | 17 - 17.5" 21 - 21" 24 - 24.5" | S - Standard | E - EEV | A - 1st Design | C - Communicating U - Other Communicating | A - A Coil N - N Coil | J - 208-240/1/60 |

| Available Models |
|------------------|
| MLHMVZ2417SEACNJ |
| MLHMVZ2421HEACNJ |
| MLHMVZ2421MEACNJ |
| MLHMVZ2421HEACAJ |
| MLHMVZ6021SEACAJ |
| MLHMVZ6024SEACNJ |

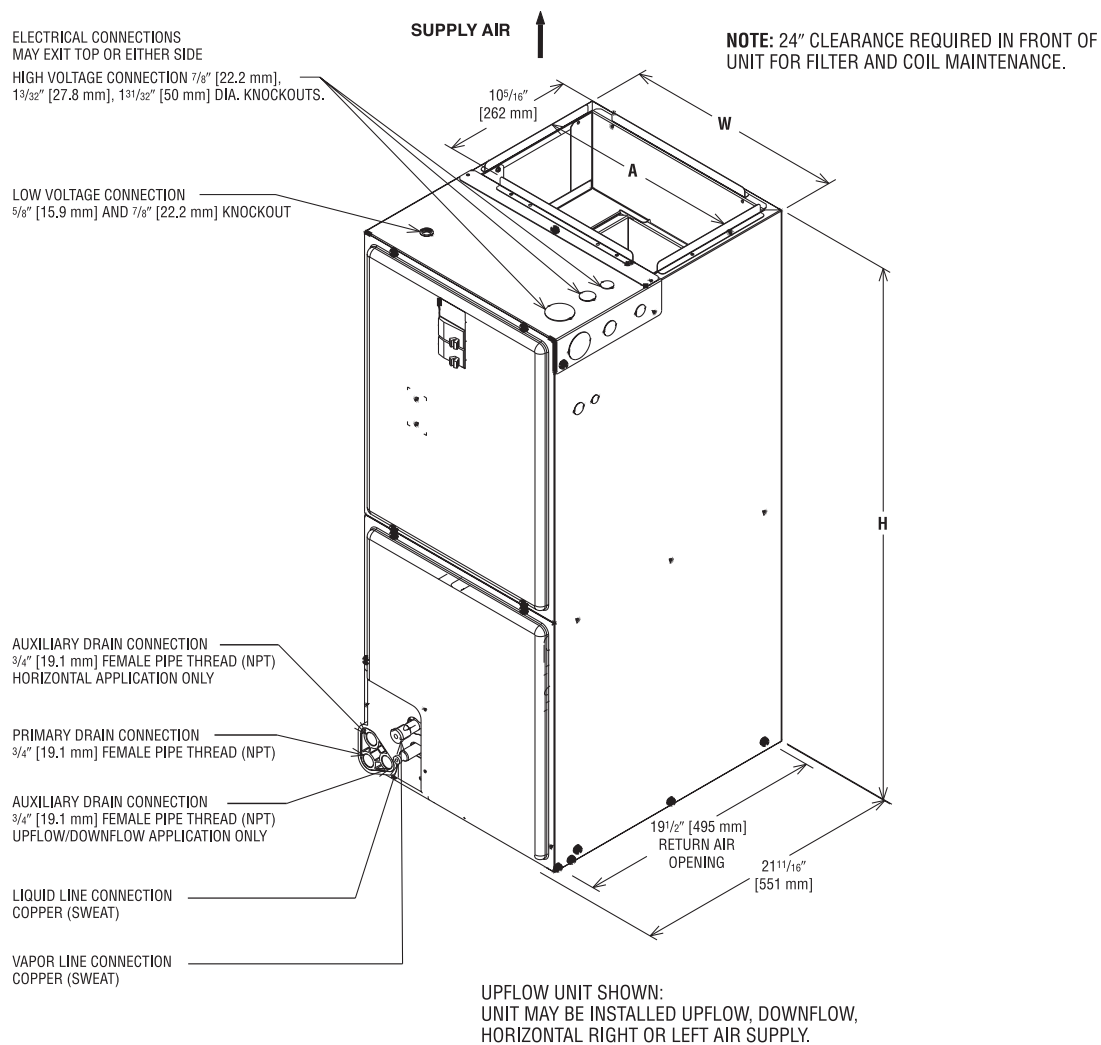
| Standard Equipment |
|--|
| Compact unit design - all standard heat air handler models are only 42-1/2 to 57 inches [1079 to 1448 mm] high |
| Attractive pre-painted cabinet exterior |
| Rugged wall steel cabinet construction |
| 1.0" foil faced insulation for excellent thermal and sound performance |
| Four leg blower motor mount |
| Blower housing with controls, motor and blower. |
| Slide-out blower design for service & maintenance convenience |
| Traditional open wire element design for heat applications |
| Field convertible for vertical, downflow, horizontal left hand or right hand air supply |
| Indoor coil desing provideds low air side pressure drop, high performance and compact size |
| Coils constructed of aluminum fins bonded to internally grooved aluminum tubing |
| Coils are tested at the factory with an extensive refrigerant leak check |
| Coils have copper sweat refrigerant connections |
| Coils utilize chatleff metering device connections |
| Molded poymer corrosion resistant condensate drain pan on all indoor coils |
| Supply duct flanges |
| Provisions for field electrical, connections available form either side of top of cabinet |
| Connection point for high and low voltage wiring |
| Concentric knockouts are provided for power connection |

[] Designates Metric Conversions

Unit Dimensions

Return Air Opening Dimensions

| Model Cabinet Size | Return Air Opening Width (Inches) | Return Air Opening Depth/Length (Inches) |
|--------------------|-----------------------------------|--|
| 17 | 15 ⁷ / ₈ | 19 ³ / ₄ |
| 21 | 19 ³ / ₈ | 19 ³ / ₄ |
| 24 | 22 ⁷ / ₈ | 19 ³ / ₄ |



[] Designates Metric Conversions

FIGURE 6
VERTICAL DOWNFLOW & HORIZONTAL RIGHT APPLICATION

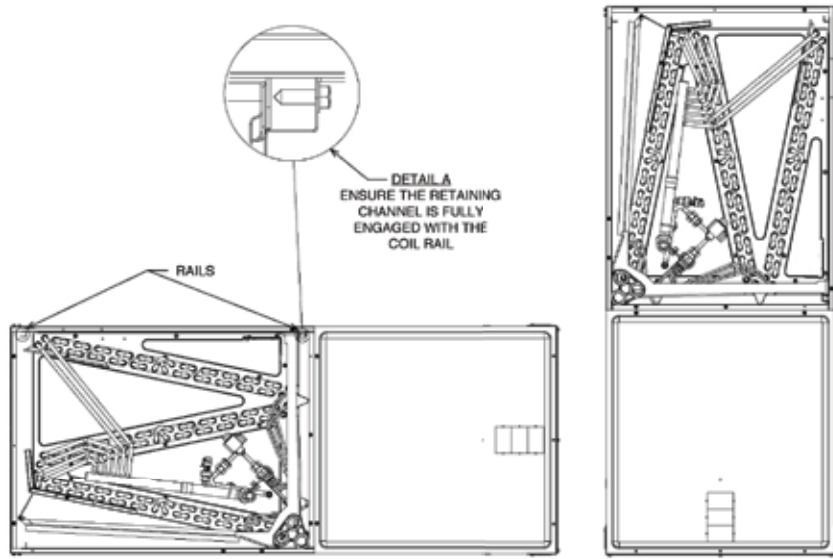
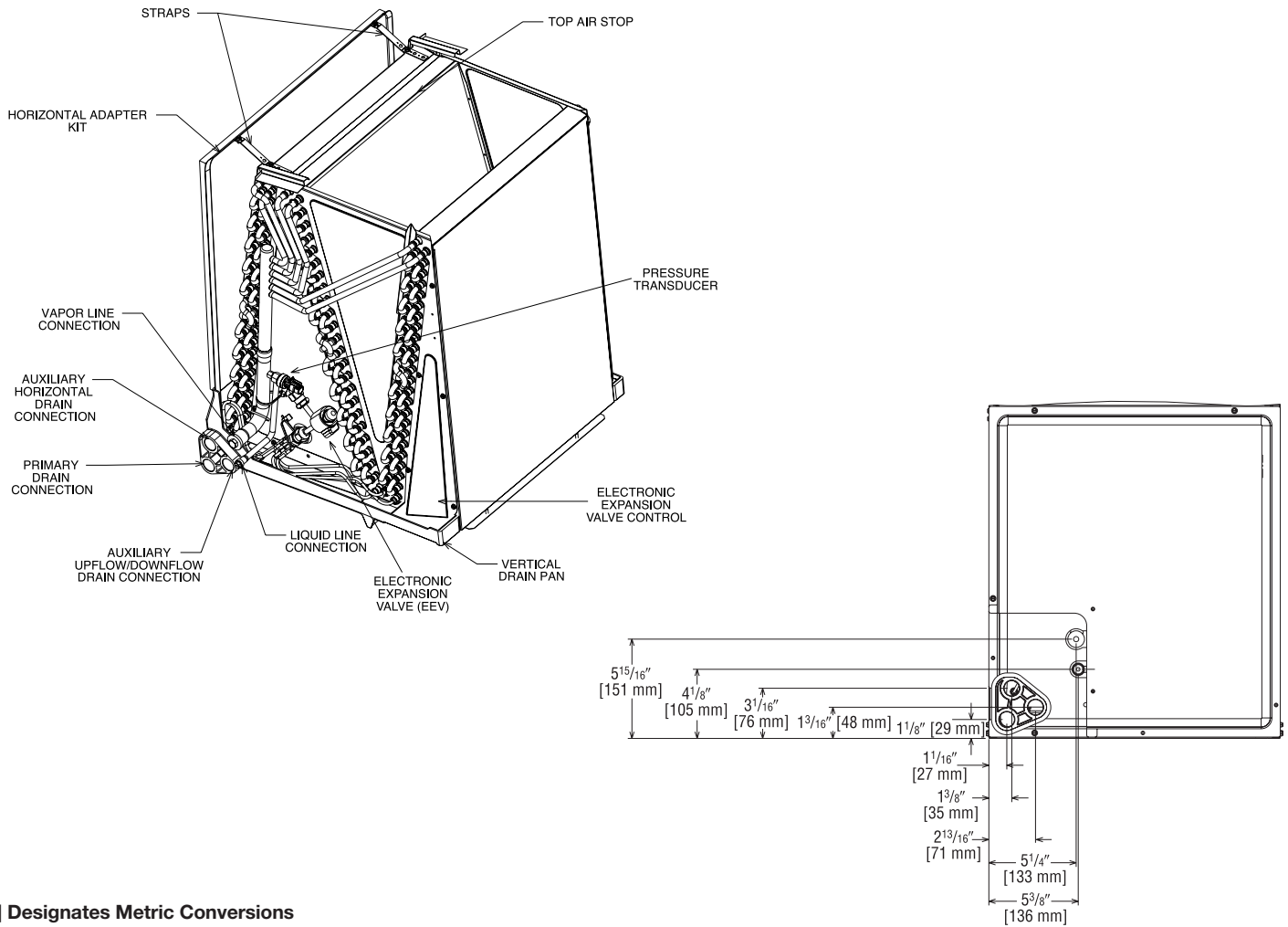


FIGURE 7
INDOOR COIL AND DRAIN PAN SET-UP



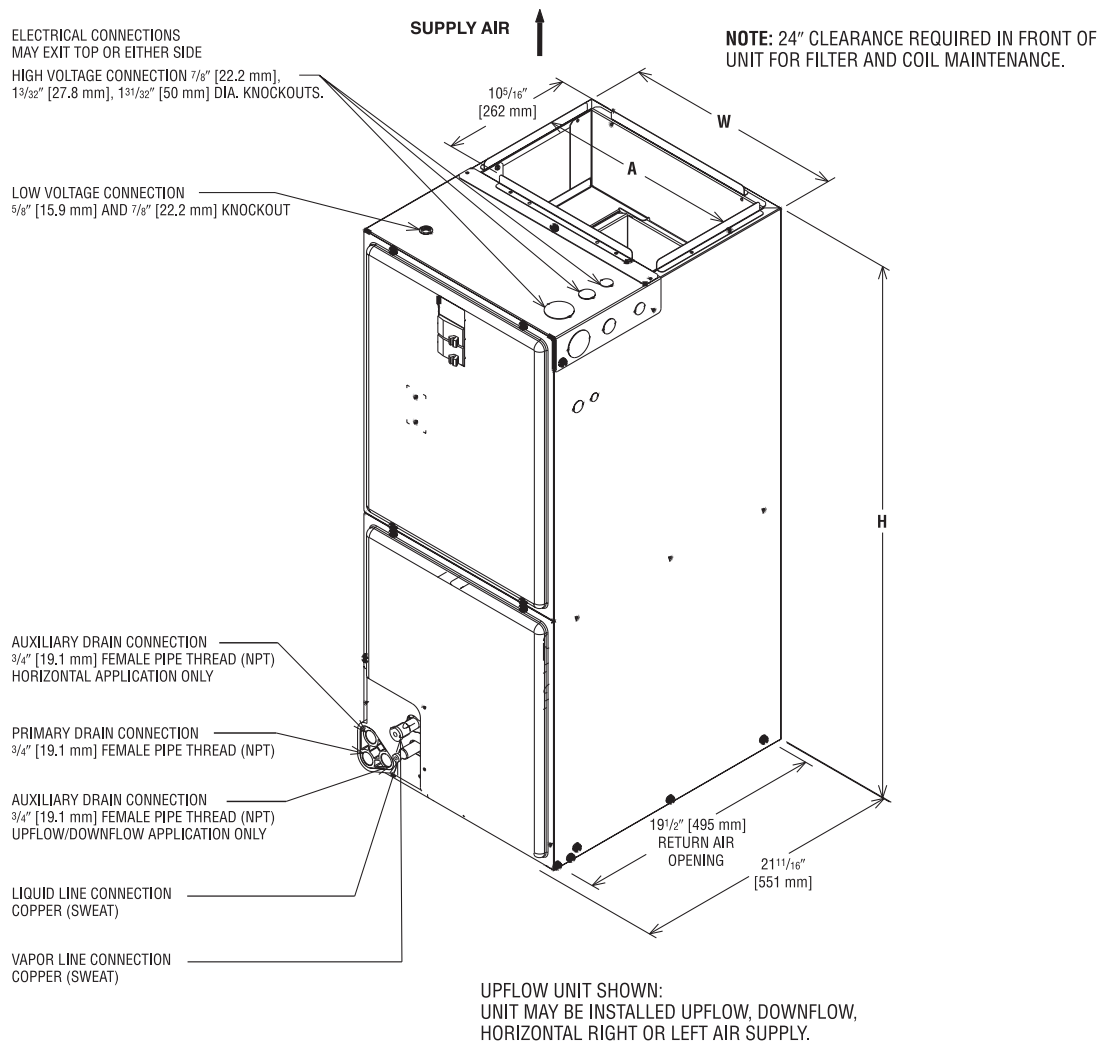
[] Designates Metric Conversions

Unit Dimensions

Return Air Opening Dimensions

| Model Cabinet Size | Return Air Opening Width (Inches) | Return Air Opening Depth/Length (Inches) |
|--------------------|-----------------------------------|--|
| 17 | 15 ⁷ / ₈ | 19 ³ / ₄ |
| 21 | 19 ³ / ₈ | 19 ³ / ₄ |
| 24 | 22 ⁷ / ₈ | 19 ³ / ₄ |

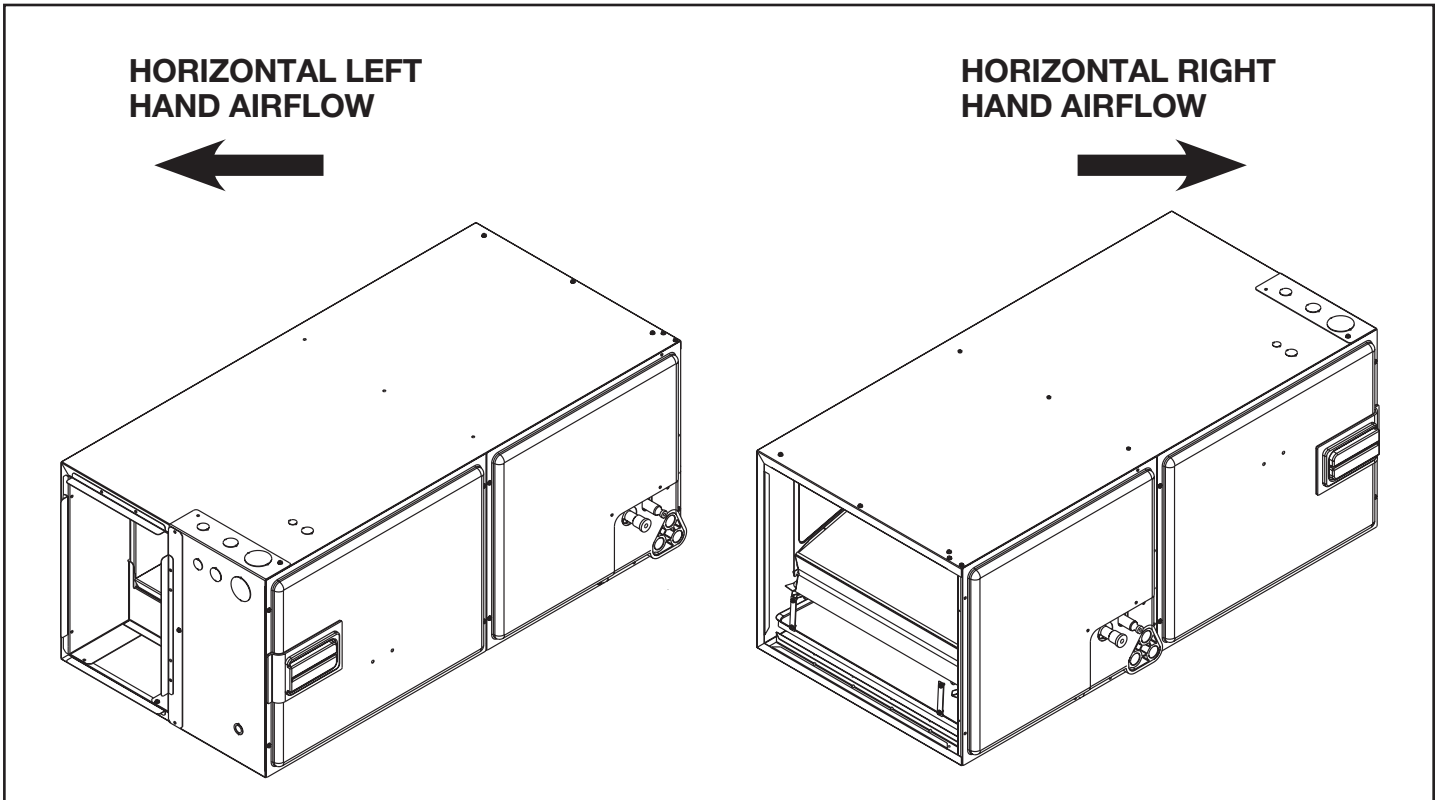
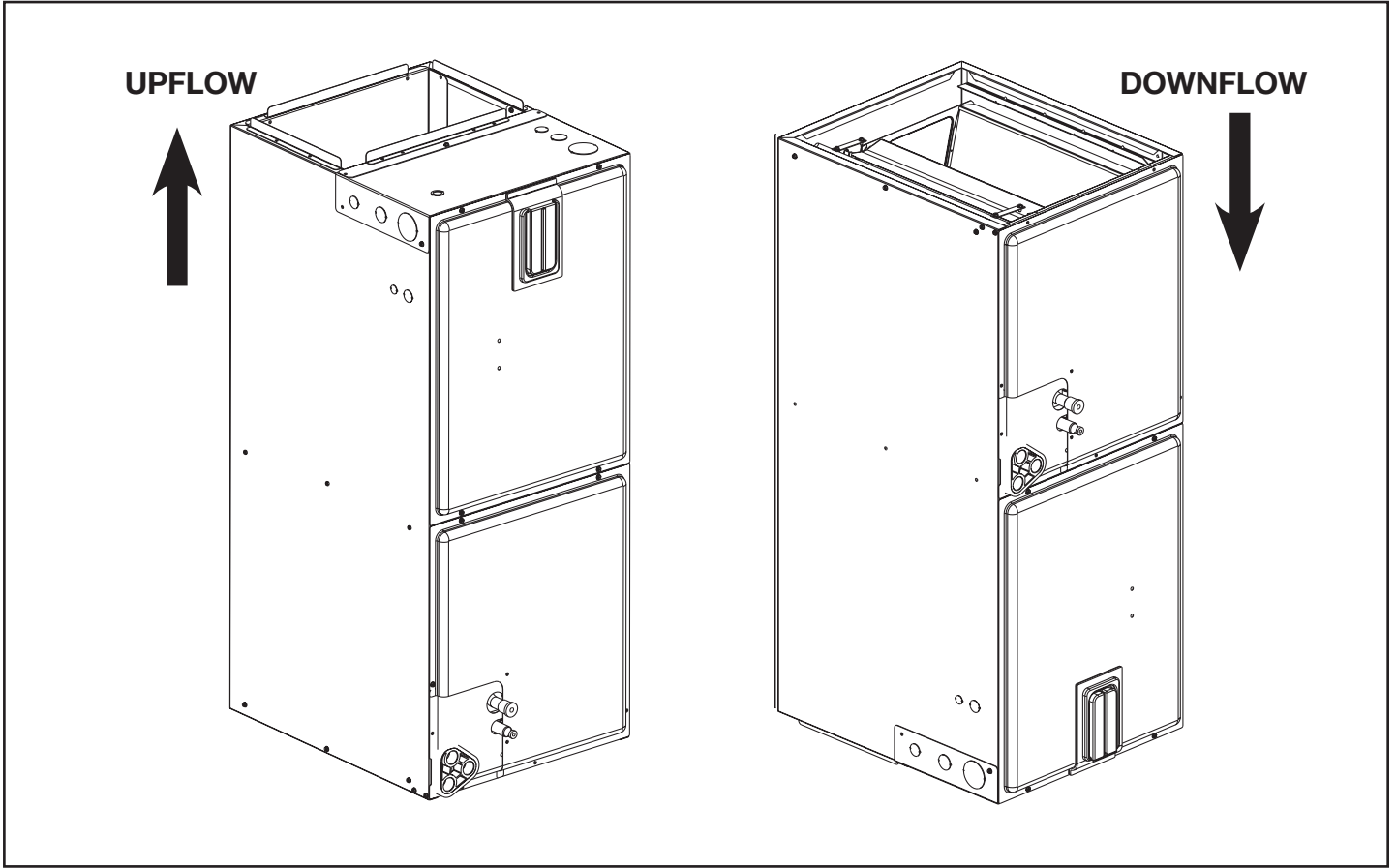
[] Designates Metric Conversions



Unit Dimensions & Weights

| Model Size MLHMVZ | Refrigerant Connections Sweat (In.) [mm] ID | | Unit Width "W" In. [mm] | Unit Height "H" In. [mm] | Supply Duct "A" In. [mm] | Unit Weight/ Shipping Weight (Lbs.) [kg] |
|----------------------|--|-------------|----------------------------|-----------------------------|-----------------------------|--|
| | Liquid | Vapor | | | | |
| 2417SEACN | 3/8 [9.53] | 3/4 [19.05] | 17 1/2 [445] | 42 1/2 [1080] | 16 [406] | 91/105 [41/48] |
| 2421MEACN | 3/8 [9.53] | 3/4 [19.05] | 21 [533] | 42 1/2 [1080] | 19 1/2 [495] | 103/118 [47/54] |
| 2421HEACN | 3/8 [9.53] | 7/8 [22.23] | 21 [533] | 50 1/2 [1282] | 19 1/2 [495] | 123/139 [56/63] |
| 2421HEACA | 3/8 [9.53] | 7/8 [22.23] | 21 [533] | 57 [1448] | 19 1/2 [495] | 140/152 [64/69] |
| 6021SEACA | 3/8 [9.53] | 7/8 [22.23] | 21 [533] | 57 [1448] | 19 1/2 [495] | 140/152 [64/69] |
| 6024SEACN | 3/8 [9.53] | 7/8 [22.23] | 24 1/2 [622] | 55 1/2 [1410] | 23 [584] | 159/176 [72/80] |

Airflow Directional Data



Airflow Performance

Airflow performance data is based on cooling performance with a coil and no filter in place. Select performance table for appropriate unit size, voltage and number of electric heaters to be used. Make sure external static applied to unit allows operation within the minimum and maximum limits shown in

table below for both cooling and electric heat operation. For optimum blower performance, operate the unit in the .3 [8 mm] to .7 inches [18 mm] W.C. external static range. Units with coils should be applied with a minimum of .1 inch [3 mm] W.C. external static range.

Airflow Operating Limits

| Rated Airflow for MLHMVZ Air Handlers + RA18 Condensing Units & RP18 Heat Pumps | | | | | |
|--|---------------|--------------------------|------------|------------------------|---------|
| Air Handler Model | Outdoor Model | MLHMVZ Airflow (EcoNet®) | | | |
| | | Cooling Mode CFM [L/s] | | Heating Mode CFM [L/s] | |
| | | Minimum | Maximum | Minimum | Maximum |
| MLHMVZ2417SEACN | MLA18AZ24 | 310 [146] | 840 [396] | — | — |
| MLHMVZ2421MEACN | MLA18AZ24 | 310 [146] | 840 [396] | — | — |
| MLHMVZ2421HEACN | MLA18AZ24 | 310 [146] | 840 [396] | — | — |
| MLHMVZ6021SEACA | MLA18AZ36 | 580 [274] | 1210 [571] | — | — |
| | MLA18AZ48 | 475 [224] | 1565 [739] | — | — |
| | MLA18AZ60 | 516 [244] | 1725 [814] | — | — |
| MLHMVZ6024SEACN | MLA18AZ36 | 580 [274] | 1210 [571] | — | — |
| | MLA18AZ48 | 475 [224] | 1565 [739] | — | — |
| | MLA18AZ60 | 516 [244] | 1725 [814] | — | — |

[] Designates Metric Conversions

Electrical Data – Blower Motor Only – No Electric Heat MLHMVZ

| Model MLHMVZ | Voltage | Phase* | Hertz | HP [W] | RPM | Motor Amps. | Minimum Circuit Ampacity | Maximum Overcurrent Protection |
|-----------------|---------|--------|-------|--------|----------|-------------|-----------------------------|-----------------------------------|
| 2417SEACN | 208/240 | 1 | 60 | 1/3 | 300-1300 | 2.8 | 4 | 15 |
| 2421MEACN | | 1 | | 1/3 | | 2.7 | 4 | 15 |
| 2421HEACN | | 1 | | 1/2 | | 3.5 | 5 | 15 |
| 2421HEACA | | 1 | | 3/4 | | 5.7 | 8 | 15 |
| 6021SEACA | | 1 | | 3/4 | | 5.7 | 8 | 15 |
| 6024SEACN | | 1 | | 3/4 | | 5.2 | 7 | 15 |

Electrical Data – With Electric Heat MLHMVZ

| Air Handler Model | Heater Model Number | Heater kW (208/240V) | Ph/Hz | No. Elements - kW per | Type Supply Circuit Single Circuit Multiple Circuit | Heater Circuit Amps | Tested Blower Motor Amps | Minimum Circuit Ampacity | Maximum Overcurrent Protection |
|-------------------|---------------------|----------------------|--------|-----------------------|---|---------------------|--------------------------|--------------------------|--------------------------------|
| MLHMVZ2417SEACNJ | RXBH-1724?03J-B | 2.3/3.0 | 1/60 | 1-3.0 | SINGLE | 11.1/12.5 | 2.8 | 18/20 | 20/20 |
| | RXBH-1724?05J-B | 3.6/4.8 | 1/60 | 1-4.8 | SINGLE | 17.4/20 | 2.8 | 26/29 | 30/30 |
| | RXBH-1724?07J-B | 5.4/7.2 | 1/60 | 2-3.6 | SINGLE | 26/30 | 2.8 | 36/41 | 40/45 |
| | RXBH-1724?10J-B | 7.2/9.6 | 1/60 | 2-4.8 | SINGLE | 34.7/40 | 2.8 | 47/54 | 50/60 |
| | RXBH-1724A13J-B | 9.4/12.5 | 1/60 | 3-4.17 | SINGLE | 45.2/52.1 | 2.8 | 60/69 | 60/70 |
| | | 3.1/4.2 | 1/60 | 1-4.17 | MULTIPLE CKT 1 | 15/17.5 | 2.8 | 23/26 | 25/30 |
| | | 6.3/8.3 | 1/60 | 2-4.17 | MULTIPLE CKT 2 | 30.3/34.6 | 0 | 38/44 | 40/45 |
| | RXBH-17A05C-B | 3.6/4.8 | 3/60 | 1-4.8 | SINGLE | 10/11.6 | 2.8 | 16/18 | 20/20 |
| | RXBH-24A05C-B | 3.6/4.8 | 3/60 | 1-4.8 | SINGLE | 10/11.6 | 2.8 | 16/18 | 20/20 |
| | RXBH-1724B05C-B | 3.6/4.8 | 3/60 | 1-4.8 | SINGLE | 10/11.6 | 2.8 | 16/18 | 20/20 |
| | RXBH-1724A07C-B | 5.4/7.2 | 3/60 | 2-3.6 | SINGLE | 15/17.4 | 2.8 | 23/26 | 25/30 |
| | RXBH-1724A10C-B | 7.2/9.6 | 3/60 | 2-4.8 | SINGLE | 20/23.1 | 2.8 | 29/33 | 30/35 |
| RXBH-1724A13C-B | 9.4/12.5 | 3/60 | 3-4.17 | SINGLE | 26.1/30.1 | 2.8 | 37/42 | 40/45 | |
| MLHMVZ2421MEACNJ | RXBH-1724?03J-B | 2.3/3.0 | 1/60 | 1-3.0 | SINGLE | 11.1/12.5 | 2.7 | 18/19 | 20/20 |
| | RXBH-1724?05J-B | 3.6/4.8 | 1/60 | 1-4.8 | SINGLE | 17.4/20 | 2.7 | 26/29 | 30/30 |
| | RXBH-1724?07J-B | 5.4/7.2 | 1/60 | 2-3.6 | SINGLE | 26/30 | 2.7 | 36/41 | 40/45 |
| | RXBH-1724?10J-B | 7.2/9.6 | 1/60 | 2-4.8 | SINGLE | 34.7/40 | 2.7 | 47/54 | 50/60 |
| | RXBH-1724A13J-B | 9.4/12.5 | 1/60 | 3-4.17 | SINGLE | 45.2/52.1 | 2.7 | 60/69 | 60/70 |
| | | 3.1/4.2 | 1/60 | 1-4.17 | MULTIPLE CKT 1 | 15/17.5 | 2.7 | 23/26 | 25/30 |
| | | 6.3/8.3 | 1/60 | 2-4.17 | MULTIPLE CKT 2 | 30.3/34.6 | 0 | 38/44 | 40/45 |
| | RXBH-17A05C-B | 3.6/4.8 | 3/60 | 1-4.8 | SINGLE | 10/11.6 | 2.7 | 16/18 | 20/20 |
| | RXBH-24A05C-B | 3.6/4.8 | 3/60 | 1-4.8 | SINGLE | 10/11.6 | 2.7 | 16/18 | 20/20 |
| | RXBH-1724B05C-B | 3.6/4.8 | 3/60 | 1-4.8 | SINGLE | 10/11.6 | 2.7 | 16/18 | 20/20 |
| | RXBH-1724A07C-B | 5.4/7.2 | 3/60 | 2-3.6 | SINGLE | 15/17.4 | 2.7 | 23/26 | 25/30 |
| | RXBH-1724A10C-B | 7.2/9.6 | 3/60 | 2-4.8 | SINGLE | 20/23.1 | 2.7 | 29/33 | 30/35 |
| RXBH-1724A13C-B | 9.4/12.5 | 3/60 | 3-4.17 | SINGLE | 26.1/30.1 | 2.7 | 36/41 | 40/45 | |

Electrical Data – With Electric Heat MLHMVZ (Con't.)

| Air Handler Model | Heater Model Number | Heater kW (208/240V) | Ph/Hz | No. Elements - kW per | Type Supply Circuit Single Circuit Multiple Circuit | Heater Circuit Amps | Tested Blower Motor Amps | Minimum Circuit Ampacity | Maximum Overcurrent Protection |
|-------------------|---------------------|----------------------|--------|-----------------------|---|---------------------|--------------------------|--------------------------|--------------------------------|
| MLHMVZ2421HEACNJ | RXBH-1724?03J-B | 2.3/3.0 | 1/60 | 1-3.0 | SINGLE | 11.1/12.5 | 3.5 | 19/20 | 20/20 |
| | RXBH-1724?05J-B | 3.6/4.8 | 1/60 | 1-4.8 | SINGLE | 17.4/20 | 3.5 | 27/30 | 30/30 |
| | RXBH-1724?07J-B | 5.4/7.2 | 1/60 | 2-3.6 | SINGLE | 26/30 | 3.5 | 37/42 | 40/45 |
| | RXBH-1724?10J-B | 7.2/9.6 | 1/60 | 2-4.8 | SINGLE | 34.7/40 | 3.5 | 48/55 | 50/60 |
| | RXBH-1724A13J-B | 9.4/12.5 | 1/60 | 3-4.17 | SINGLE | 45.2/52.1 | 3.5 | 61/70 | 70/70 |
| | | 3.1/4.2 | 1/60 | 1-4.17 | MULTIPLE CKT 1 | 15/17.5 | 3.5 | 24/27 | 25/30 |
| | | 6.3/8.3 | 1/60 | 2-4.17 | MULTIPLE CKT 2 | 30.3/34.6 | 0 | 38/44 | 40/45 |
| | RXBH-17A05C-B | 3.6/4.8 | 3/60 | 1-4.8 | SINGLE | 10/11.6 | 3.5 | 17/19 | 20/20 |
| | RXBH-24A05C-B | 3.6/4.8 | 3/60 | 1-4.8 | SINGLE | 10/11.6 | 3.5 | 17/19 | 20/20 |
| | RXBH-1724B05C-B | 3.6/4.8 | 3/60 | 1-4.8 | SINGLE | 10/11.6 | 3.5 | 17/19 | 20/20 |
| | RXBH-1724A07C-B | 5.4/7.2 | 3/60 | 2-3.6 | SINGLE | 15/17.4 | 3.5 | 24/27 | 25/30 |
| | RXBH-1724A10C-B | 7.2/9.6 | 3/60 | 2-4.8 | SINGLE | 20/23.1 | 3.5 | 30/34 | 30/35 |
| RXBH-1724A13C-B | 9.4/12.5 | 3/60 | 3-4.17 | SINGLE | 26.1/30.1 | 3.5 | 37/42 | 40/45 | |
| MLHMVZ2421HEACAJ | RXBH-1724?03J-B | 2.3/3.0 | 1/60 | 1-3.0 | SINGLE | 11.1/12.5 | 5.7 | 21/23 | 25/25 |
| | RXBH-1724?05J-B | 3.6/4.8 | 1/60 | 1-4.8 | SINGLE | 17.4/20 | 5.7 | 29/33 | 30/35 |
| | RXBH-1724?07J-B | 5.4/7.2 | 1/60 | 2-3.6 | SINGLE | 26/30 | 5.7 | 40/45 | 40/45 |
| | RXBH-1724?10J-B | 7.2/9.6 | 1/60 | 2-4.8 | SINGLE | 34.7/40 | 5.7 | 51/58 | 60/60 |
| | RXBH-1724A13J-B | 9.4/12.5 | 1/60 | 3-4.17 | SINGLE | 45.2/52.1 | 5.7 | 64/73 | 70/80 |
| | | 3.1/4.2 | 1/60 | 1-4.17 | MULTIPLE CKT 1 | 15/17.5 | 5.7 | 26/29 | 30/30 |
| | | 6.3/8.3 | 1/60 | 2-4.17 | MULTIPLE CKT 2 | 30.3/34.6 | 0 | 38/44 | 40/45 |
| | RXBH-17A05C-B | 3.6/4.8 | 3/60 | 1-4.8 | SINGLE | 10/11.6 | 5.7 | 20/22 | 20/25 |
| | RXBH-24A05C-B | 3.6/4.8 | 3/60 | 1-4.8 | SINGLE | 10/11.6 | 5.7 | 20/22 | 20/25 |
| | RXBH-1724B05C-B | 3.6/4.8 | 3/60 | 1-4.8 | SINGLE | 10/11.6 | 5.7 | 20/22 | 20/25 |
| | RXBH-1724A07C-B | 5.4/7.2 | 3/60 | 2-3.6 | SINGLE | 15/17.4 | 5.7 | 26/29 | 30/30 |
| | RXBH-1724A10C-B | 7.2/9.6 | 3/60 | 2-4.8 | SINGLE | 20/23.1 | 5.7 | 33/36 | 35/40 |
| RXBH-1724A13C-B | 9.4/12.5 | 3/60 | 3-4.17 | SINGLE | 26.1/30.1 | 5.7 | 40/45 | 40/45 | |

Electrical Data – With Electric Heat MLHMVZ (Con't.)

| Air Handler Model | Heater Model Number | Heater kW (208/240V) | Ph/Hz | No. Elements - kW per | Type Supply Circuit Single Circuit Multiple Circuit | Heater Circuit Amps | Tested Blower Motor Amps | Minimum Circuit Ampacity | Maximum Overcurrent Protection |
|-------------------|---------------------|----------------------|-------|-----------------------|---|---------------------|--------------------------|--------------------------|--------------------------------|
| MLHMVZ6021SEACAJ | RXBH-1724?03J-B | 2.3/3.0 | 1/60 | 1-3.0 | SINGLE | 11.1/12.5 | 5.7 | 21/23 | 25/25 |
| | RXBH-1724?05J-B | 3.6/4.8 | 1/60 | 1-4.8 | SINGLE | 17.4/20 | 5.7 | 29/33 | 30/35 |
| | RXBH-1724?07J-B | 5.4/7.2 | 1/60 | 2-3.6 | SINGLE | 26/30 | 5.7 | 40/45 | 40/45 |
| | RXBH-1724?10J-B | 7.2/9.6 | 1/60 | 2-4.8 | SINGLE | 34.7/40 | 5.7 | 51/58 | 60/60 |
| | RXBH-1724A13J-B | 9.4/12.5 | 1/60 | 3-4.17 | SINGLE | 45.2/52.1 | 5.7 | 64/73 | 70/80 |
| | | 3.1/4.2 | 1/60 | 1-4.17 | MULTIPLE CKT 1 | 15/17.5 | 5.7 | 26/29 | 30/30 |
| | | 6.3/8.3 | 1/60 | 2-4.17 | MULTIPLE CKT 2 | 30.3/34.6 | 0 | 38/44 | 40/45 |
| | RXBH-1724A15J-B | 10.8/14.4 | 1/60 | 3-4.8 | SINGLE | 52/60 | 5.7 | 73/83 | 80/90 |
| | RXBH-1724A15J-B | 3.6/4.8 | 1/60 | 1-4.8 | MULTIPLE CKT 1 | 17.4/20 | 5.7 | 29/33 | 30/35 |
| | | 7.2/9.6 | 1/60 | 2-4.8 | MULTIPLE CKT 2 | 34.7/40 | 0 | 44/50 | 45/50 |
| | RXBH-1724A18J-B | 12.8/17.0 | 1/60 | 3-5.68 | SINGLE | 61.6/70.9 | 5.7 | 85/96 | 90/100 |
| | RXBJ-1724A18J-B | 4.3/5.7 | 1/60 | 1-5.68 | MULTIPLE CKT 1 | 20.7/23.8 | 5.7 | 33/37 | 35/40 |
| | | 8.5/11.3 | 1/60 | 2-5.68 | MULTIPLE CKT 2 | 40.9/47.1 | 0 | 52/59 | 60/60 |
| | RXBH-24A20J-B | 14.4/19.2 | 1/60 | 4-4.8 | SINGLE | 69.3/80 | 5.7 | 94/108 | 100/110 |
| | RXBH-1724A20J-B | 7.2/9.6 | 1/60 | 2-4.8 | MULTIPLE CKT 1 | 34.7/40 | 5.7 | 51/58 | 60/60 |
| | | 7.2/9.6 | 1/60 | 2-4.8 | MULTIPLE CKT 2 | 34.7/40 | 0 | 44/50 | 45/50 |
| | RXBH-24A25J-B | 18.0/24.0 | 1/60 | 6-4.0 | SINGLE | 86.6/100 | 5.7 | 116/133 | 125/150 |
| | | 6.0/8.0 | 1/60 | 2-4.0 | MULTIPLE CKT 1 | 28.9/33.4 | 5.7 | 44/49 | 45/50 |
| | | 6.0/8.0 | 1/60 | 2-4.0 | MULTIPLE CKT 2 | 28.9/33.4 | 0 | 37/42 | 40/45 |
| | | 6.0/8.0 | 1/60 | 2-4.0 | MULTIPLE CKT 3 | 28.9/33.4 | 0 | 37/42 | 40/45 |
| | RXBH-24A30J-B | 21.6/28.8 | 1/60 | 6-4.8 | SINGLE | 103.9/120 | 5.7 | 137/158 | 150/175 |
| | RXBH-1724A30J-B | 7.2/9.6 | 1/60 | 2-4.8 | MULTIPLE CKT 1 | 34.7/40 | 5.7 | 51/58 | 60/60 |
| | | 7.2/9.6 | 1/60 | 2-4.8 | MULTIPLE CKT 2 | 34.7/40 | 0 | 44/50 | 45/50 |
| | | 7.2/9.6 | 1/60 | 2-4.8 | MULTIPLE CKT 3 | 34.7/40 | 0 | 44/50 | 45/50 |
| | RXBH-17A05C-B | 3.6/4.8 | 3/60 | 1-4.8 | SINGLE | 10/11.6 | 5.7 | 20/22 | 20/25 |
| | RXBH-24A05C-B | 3.6/4.8 | 3/60 | 1-4.8 | SINGLE | 10/11.6 | 5.7 | 20/22 | 20/25 |
| | RXBH-1724B05C-B | 3.6/4.8 | 3/60 | 1-4.8 | SINGLE | 10/11.6 | 5.7 | 20/22 | 20/25 |
| | RXBH-1724A07C-B | 5.4/7.2 | 3/60 | 2-3.6 | SINGLE | 15/17.4 | 5.7 | 26/29 | 30/30 |
| | RXBH-1724A10C-B | 7.2/9.6 | 3/60 | 2-4.8 | SINGLE | 20/23.1 | 5.7 | 33/36 | 35/40 |
| | RXBH-1724A13C-B | 9.4/12.5 | 3/60 | 3-4.17 | SINGLE | 26.1/30.1 | 5.7 | 40/45 | 40/45 |
| | RXBH-1724A15C-B | 10.8/14.4 | 3/60 | 3-4.8 | SINGLE | 30/34.7 | 5.7 | 45/51 | 45/60 |
| | RXBH-1724A18C-B | 12.8/17.0 | 3/60 | 3-5.68 | SINGLE | 35.6/40.9 | 5.7 | 52/59 | 60/60 |
| | RXBH-24A20C-B | 14.4/19.2 | 3/60 | 4-4.8 | SINGLE | 40/46.2 | 5.7 | 58/65 | 60/70 |
| | RXBH-1724A20J-B | 7.2/9.6 | 3/60 | 2-4.8 | MULTIPLE CKT 1 | 20/23.1 | 5.7 | 33/36 | 35/40 |
| | | 7.2/9.6 | 3/60 | 2-4.8 | MULTIPLE CKT 2 | 20/23.1 | 0 | 25/29 | 25/30 |
| | RXBH-24A25C-B | 18.0/24.0 | 3/60 | 6-4.0 | SINGLE | 50/57.7 | 5.7 | 70/80 | 70/80 |
| | RXBH-1724A20J-B | 9.0/12.0 | 3/60 | 3-4.0 | MULTIPLE CKT 1 | 25/28.9 | 5.7 | 39/44 | 40/45 |
| | | 9.0/12.0 | 3/60 | 3-4.0 | MULTIPLE CKT 2 | 25/28.9 | 0 | 32/37 | 35/40 |
| | RXBH-24A30C-B | 21.6/28.8 | 3/60 | 6-4.8 | SINGLE | 60/69.3 | 5.7 | 83/94 | 90/100 |
| | RXBH-1724A20J-B | 10.8/14.4 | 3/60 | 3-4.8 | MULTIPLE CKT 1 | 30/34.7 | 5.7 | 45/51 | 45/60 |
| 10.8/14.4 | | 3/60 | 3-4.8 | MULTIPLE CKT 2 | 30/34.7 | 0 | 38/44 | 40/45 | |

Electrical Data – With Electric Heat MLHMVZ (Con't.)

| Air Handler Model | Heater Model Number | Heater kW (208/240V) | Ph/Hz | No. Elements - kW per | Type Supply Circuit Single Circuit Multiple Circuit | Heater Circuit Amps | Tested Blower Motor Amps | Minimum Circuit Ampacity | Maximum Overcurrent Protection |
|-------------------|---------------------|----------------------|-------|-----------------------|---|---------------------|--------------------------|--------------------------|--------------------------------|
| MLHMVZ6024SEACNJ | RXBH-1724?03J-B | 2.3/3.0 | 1/60 | 1-3.0 | SINGLE | 11.1/12.5 | 5.2 | 21/23 | 25/25 |
| | RXBH-1724?05J-B | 3.6/4.8 | 1/60 | 1-4.8 | SINGLE | 17.4/20 | 5.2 | 29/32 | 30/35 |
| | RXBH-1724?07J-B | 5.4/7.2 | 1/60 | 2-3.6 | SINGLE | 26/30 | 5.2 | 39/44 | 40/45 |
| | RXBH-1724?10J-B | 7.2/9.6 | 1/60 | 2-4.8 | SINGLE | 34.7/40 | 5.2 | 50/57 | 50/60 |
| | RXBH-1724A13J-B | 9.4/12.5 | 1/60 | 3-4.17 | SINGLE | 45.2/52.1 | 5.2 | 63/72 | 70/80 |
| | RXBH-1724A13J-B | 3.1/4.2 | 1/60 | 1-4.17 | MULTIPLE CKT 1 | 15/17.5 | 5.2 | 26/29 | 30/30 |
| | | 6.3/8.3 | 1/60 | 2-4.17 | MULTIPLE CKT 2 | 30.3/34.6 | 0 | 38/44 | 40/45 |
| | RXBH-1724A15J-B | 10.8/14.4 | 1/60 | 3-4.8 | SINGLE | 52/60 | 5.2 | 72/82 | 80/90 |
| | RXBH-1724A15J-B | 3.6/4.8 | 1/60 | 1-4.8 | MULTIPLE CKT 1 | 17.4/20 | 5.2 | 29/32 | 30/35 |
| | | 7.2/9.6 | 1/60 | 2-4.8 | MULTIPLE CKT 2 | 34.7/40 | 0 | 44/50 | 45/50 |
| | RXBH-1724A18J-B | 12.8/17.0 | 1/60 | 3-5.68 | SINGLE | 61.6/70.9 | 5.2 | 84/96 | 90/100 |
| | RXBJ-1724A18J-B | 4.3/5.7 | 1/60 | 1-5.68 | MULTIPLE CKT 1 | 20.7/23.8 | 5.2 | 33/37 | 35/40 |
| | | 8.5/11.3 | 1/60 | 2-5.68 | MULTIPLE CKT 2 | 40.9/47.1 | 0 | 52/59 | 60/60 |
| | RXBH-24A20J-B | 14.4/19.2 | 1/60 | 4-4.8 | SINGLE | 69.3/80 | 5.2 | 94/107 | 100/110 |
| | RXBH-1724A20J-B | 7.2/9.6 | 1/60 | 2-4.8 | MULTIPLE CKT 1 | 34.7/40 | 5.2 | 50/57 | 50/60 |
| | | 7.2/9.6 | 1/60 | 2-4.8 | MULTIPLE CKT 2 | 34.7/40 | 0 | 44/50 | 45/50 |
| | RXBH-24A25J-B | 18.0/24.0 | 1/60 | 6-4.0 | SINGLE | 86.6/100 | 5.2 | 115/132 | 125/150 |
| | | 6.0/8.0 | 1/60 | 2-4.0 | MULTIPLE CKT 1 | 28.9/33.4 | 5.2 | 43/49 | 45/50 |
| | | 6.0/8.0 | 1/60 | 2-4.0 | MULTIPLE CKT 2 | 28.9/33.4 | 0 | 37/42 | 40/45 |
| | | 6.0/8.0 | 1/60 | 2-4.0 | MULTIPLE CKT 3 | 28.9/33.4 | 0 | 37/42 | 40/45 |
| | RXBH-24A30J-B | 21.6/28.8 | 1/60 | 6-4.8 | SINGLE | 103.9/120 | 5.2 | 137/157 | 150/175 |
| | RXBH-1724A30J-B | 7.2/9.6 | 1/60 | 2-4.8 | MULTIPLE CKT 1 | 34.7/40 | 5.2 | 50/57 | 50/60 |
| | | 7.2/9.6 | 1/60 | 2-4.8 | MULTIPLE CKT 2 | 34.7/40 | 0 | 44/50 | 45/50 |
| | | 7.2/9.6 | 1/60 | 2-4.8 | MULTIPLE CKT 3 | 34.7/40 | 0 | 44/50 | 45/50 |
| | RXBH-17A05C-B | 3.6/4.8 | 3/60 | 1-4.8 | SINGLE | 10/11.6 | 5.2 | 19/21 | 20/25 |
| | RXBH-24A05C-B | 3.6/4.8 | 3/60 | 1-4.8 | SINGLE | 10/11.6 | 5.2 | 19/21 | 20/25 |
| | RXBH-1724B05C-B | 3.6/4.8 | 3/60 | 1-4.8 | SINGLE | 10/11.6 | 5.2 | 19/21 | 20/25 |
| | RXBH-1724A07C-B | 5.4/7.2 | 3/60 | 2-3.6 | SINGLE | 15/17.4 | 5.2 | 26/29 | 30/30 |
| | RXBH-1724A10C-B | 7.2/9.6 | 3/60 | 2-4.8 | SINGLE | 20/23.1 | 5.2 | 32/36 | 35/40 |
| | RXBH-1724A13C-B | 9.4/12.5 | 3/60 | 3-4.17 | SINGLE | 26.1/30.1 | 5.2 | 40/45 | 40/45 |
| | RXBH-1724A15C-B | 10.8/14.4 | 3/60 | 3-4.8 | SINGLE | 30/34.7 | 5.2 | 44/50 | 45/50 |
| | RXBH-1724A18C-B | 12.8/17.0 | 3/60 | 3-5.68 | SINGLE | 35.6/40.9 | 5.2 | 51/58 | 60/60 |
| | RXBH-24A20C-B | 14.4/19.2 | 3/60 | 4-4.8 | SINGLE | 40/46.2 | 5.2 | 57/65 | 60/70 |
| | RXBH-1724A20J-B | 7.2/9.6 | 3/60 | 2-4.8 | MULTIPLE CKT 1 | 20/23.1 | 5.2 | 32/36 | 35/40 |
| | | 7.2/9.6 | 3/60 | 2-4.8 | MULTIPLE CKT 2 | 20/23.1 | 0 | 25/29 | 25/30 |
| | RXBH-24A25C-B | 18.0/24.0 | 3/60 | 6-4.0 | SINGLE | 50/57.7 | 5.2 | 69/79 | 70/80 |
| | RXBH-1724A20J-B | 9.0/12.0 | 3/60 | 3-4.0 | MULTIPLE CKT 1 | 25/28.9 | 5.2 | 38/43 | 40/45 |
| | | 9.0/12.0 | 3/60 | 3-4.0 | MULTIPLE CKT 2 | 25/28.9 | 0 | 32/37 | 35/40 |
| | RXBH-24A30C-B | 21.6/28.8 | 3/60 | 6-4.8 | SINGLE | 60/69.3 | 5.2 | 82/94 | 90/100 |
| | RXBH-1724A20J-B | 10.8/14.4 | 3/60 | 3-4.8 | MULTIPLE CKT 1 | 30/34.7 | 5.2 | 44/50 | 45/50 |
| | | 10.8/14.4 | 3/60 | 3-4.8 | MULTIPLE CKT 2 | 30/34.7 | 0 | 38/44 | 40/45 |

Electrical Wiring

Power Wiring

- Field wiring must comply with the National Electrical Code (C.E.C. in Canada) and any applicable local ordinance.
- Supply wiring must be 75°C minimum copper conductors only.
- See electrical data for product Ampacity rating and Circuit Protector requirement.

Grounding

- This product must be sufficiently grounded in accordance with National Electrical Code (C.E.C. in Canada) and any applicable local ordinance.
- A grounding lug is provided.

Accessories

• Combustible Floor Base RXHB-

| Model Cabinet Size | Combustible Floor Base Model Number |
|--------------------|-------------------------------------|
| 17 | RXHB-17 |
| 21 | RXHB-21 |
| 24 | RXHB-24 |

- **Jumper Bar Kit 3 Ckt. to 1 Ckt. RXBJ-A31** is used to convert single phase multiple three circuit units to a single supply circuit. Kit includes cover and screw for line side terminals.
- **Jumper Bar Kit 2 Ckt. to 1 Ckt. RXBJ-A21** is used to convert single phase multiple two circuit units to a single supply circuit. Kit includes cover and screw for line side terminals.
- **Note:** No jumper bar kit is available to convert three phase multiple two circuit units to a single supply circuit.

• Auxiliary Horizontal Overflow Pan Accessory RXBM-

| Nominal Cooling Capacity-Tons | Auxiliary Horizontal Overflow Pan Accessory Model Number |
|-------------------------------|--|
| 2 - 3 | RXBM-AC48 |
| 4 - 5 | RXBM-AC61 |

• Supply and Return Air Sensor Kit RXHT-A02

The RXHT-A02 Thermistor Kit is to be used with the air handler control to monitor the system return and leaving air temperatures. These temperatures can be monitored with the EcoNet® communicating thermostat.

• Auxiliary Electric Heater Kits RXBH-

Heater Kits include circuit breakers which meet UL and cUL requirements for service disconnect. See the Electric Heat Electrical Data in this specification sheet for specific Heater Kit Model numbers.

• Horizontal Adapter Kit RXHH-

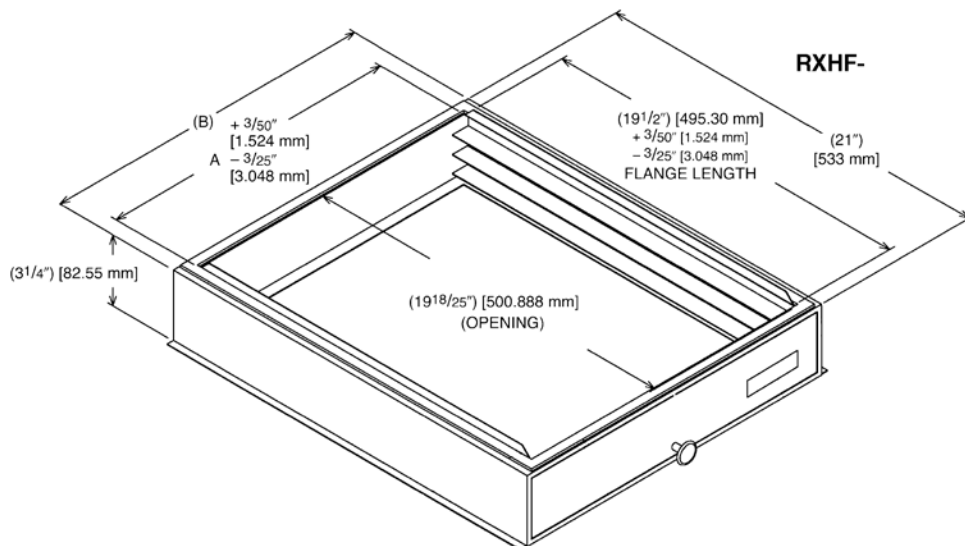
This horizontal adapter kit is used to convert Upflow/Downflow only models to horizontal flow. See the following table to order proper horizontal adapter kit.

| Coil Model | Horizontal Adapter Kit Model Number (Single Qty.) | Horizontal Adapter Kit Model Number (10-Pack Qty.) |
|----------------|---|--|
| 2414 | RXHH-A01 | RXHH-A01 x 10 |
| 2417 | RXHH-A02 | RXHH-A02 x 10 |
| 2421/3617/3621 | RXHH-A03 | RXHH-A03 x 10 |
| 4821/4824/6021 | RXHH-A06 | RXHH-A06 x 10 |
| 6024 | RXHH-A05 | RXHH-A05 x 10 |

• External Filter Base RXHF-

| Model Cabinet Size | Filter Size In. [mm] | Part Number* | A | B |
|--------------------|----------------------|--------------|-------|------|
| 17 | 16 x 20 [406 x 508] | RXHF-17 | 15.70 | 17.5 |
| 21 | 20 x 20 [508 x 508] | RXHF-21 | 19.20 | 21.0 |
| 24 | 25 x 20 [635 x 508] | RXHF-24 | 22.70 | 25.5 |

*Accommodates 1" or 2" filter



[] Designates Metric Conversions



GENERAL TERMS OF LIMITED WARRANTY*

Mainline® will furnish a replacement for any part of this product which fails in normal use and service within the applicable periods stated, in accordance with the terms of the limited warranty.

Parts Ten (10) Years

***For complete details of the Limited and Conditional Warranties, including applicable terms and conditions, contact your local contractor or the Manufacturer for a copy of the product warranty certificate.**

Before proceeding with installation, refer to installation instructions packaged with each model, as well as complying with all Federal, State, Provincial, and Local codes, regulations, and practices.

"In keeping with its policy of continuous progress and product improvement, Mainline reserves the right to make changes without notice."