



## Elite® Series Cased Coils For Gas Furnaces



### **TCFZ**

Featuring Industry Standard R-410A

Refrigerant

Airflow Capacity

600-1,900 CFM [283-897 L/s]

## Table of Contents

|                                   |     |
|-----------------------------------|-----|
| Features & Benefits .....         | 3   |
| Model Number Identification ..... | 4   |
| Coil Specifications.....          | 5-6 |
| Coil Dimensions and Weights ..... | 7   |
| Accessories .....                 | 8-9 |
| Limited Warranty.....             | 12  |

## Features & Benefits

- Mainline Indoor Furnace cased coils are designed for use with Mainline outdoor units and are available for vertical upflow or downflow, and horizontal left or horizontal right airflow. When matched with Mainline outdoor units, the coils provide a nominal capacity range from 18,000 BTU/HR [5.24 kW] to 60,000 BTU/HR [17.6 kW]
- Constructed of aluminum fins bonded to internally grooved aluminum tubing
- Coils are tested at the factory with an extensive refrigerant leak check
- Coils have copper sweat refrigerant connections
- Feature two sets of  $\frac{3}{4}$ " [19.1 mm] N.P.T. Condensate drain connections for ease of connection
- Chatleff metering device connections, at inlet and outlet of TXV or EEV and equalizer connections (TXV only)
- Approved for system application with variety of Mainline outdoor units
- Condensate drain pan is constructed of high grade, heat resistant, corrosion free thermal-set material
- Compatible with Germicidal Light System (UV resistant)
- Bi-Directional airflow eliminates the need to switch any internal components from horizontal left to right
- Unique drain pan design maximizes application flexibility and condensate removal
- N-Coil design maximizes performance and minimizes height required at installation
- Coils are AHRI certified for system application with a variety of Mainline outdoor units

[ ] Designates Metric Conversions

# Coils

| <u>T</u>            | <u>C</u>         | <u>F</u>         | <u>Z</u>    | <u>24</u>   | <u>14</u>  | <u>S</u>  | <u>T</u>           | <u>A</u>     | <u>A</u>                 | <u>M</u>  | <u>C</u>  | <u>*</u>    |
|---------------------|------------------|------------------|-------------|---|--|---|--------------------|--------------|--------------------------|---|-----------|-------------|
| Brand               | Product Category | Type             | Refrigerant | Capacity  | Width  | Efficiency  | Metering Device    | Major Series | Coil Series              | Orientation   | Casing    | Option Code |
| T = Mainline Elite® | C = Coil         | F = Furnace Coil | Z = R410A   | 24/25 = 24,000 BTU/H<br>36/37 = 36,000 BTU/H<br>42 = 42,000 BTU/H<br>48/49 = 48,000 BTU/H<br>60/61 = 60,000 BTU/H | 14 = 14"<br>17 = 17.5"<br>21 = 21"<br>24 = 24.5" | S = Standard<br>M = Medium<br>H = High<br>U = Ultra | T = TXV<br>E = EXV | A = First    | A = A-Coil<br>N = N-Coil | M = Multipoise<br>V = Vertical only/<br>Convertible | C = Cased | *           |

| TXV Models Base Tier |
|----------------------|
| TCFZ2414STAAMC       |
| TCFZ2417MTANMC       |
| TCFZ2417STANMC       |
| TCFZ2421MTANMC       |
| TCFZ3617STANMC       |
| TCFZ3621MTAAMC       |
| TCFZ3621MTANMC       |
| TCFZ3621STANMC       |
| TCFZ3624MTANMC       |
| TCFZ4821STAAMC       |
| TCFZ4821STANMC       |
| TCFZ4824MTANMC       |
| TCFZ4824STANMC       |
| TCFZ6021STAAMC       |
| TCFZ6024STANMC       |

| TXV Models Mid Tier |
|---------------------|
| TCFZ2517STANMC      |
| TCFZ3717STANMC      |
| TCFZ4921STANMC      |
| TCFZ6124STANMC      |

| EEV Models High Tier |
|----------------------|
| TCFZ2421HEAAMC       |
| TCFZ2417SEANMC       |
| TCFZ2421HEANMC       |
| TCFZ2421MEANMC       |
| TCFZ3621MEAAMC       |
| TCFZ3621MEANMC       |
| TCFZ4821SEAAMC       |
| TCFZ6021SEAAMC       |
| TCFZ6024SEANMC       |

## Coil Specifications/Airflow Pressure Drop

| Coil Model<br>(-)CFZ        | Approx. Design Cooling Airflow Range CFM [L/s] | Face Area Sq. Ft. [m2] | Fins Per Inch/ Rows Deep | Width     | Nominal Capacity | Wet Coil Static Pressure Drop (Inches W.C.) [kPa] @ CFM [L/s] – (Coil Only) |            |            |            |             |            |            |            |             |            |            |            |             |             |             |
|-----------------------------|--|------------------------|--------------------------|-----------|------------------|---|------------|------------|------------|-------------|------------|------------|------------|-------------|------------|------------|------------|-------------|-------------|-------------|
|                             |  |                        |                          |           |                  | 600 [283]   | 700 [330]  | 800 [378]  | 900 [425]  | 1000 [472]  | 1100 [519] | 1200 [566] | 1300 [614] | 1400 [661]  | 1500 [708] | 1600 [755] | 1700 [802] | 1800 [850]  | 1900 [897]  |             |
| (-)CFZ2414S*                | 525/900 [248/425]                              | 4.56 [0.42]            | 16/2                     | 14        |                  | 0.171 [42]  | 0.221 [55] | 0.278 [69] | 0.342 [85] | 0.412 [103] | —          | —          | —          | —           | —          | —          | —          | —           |             |             |
| (-)CFZ2417S/<br>(-)CFZ2517S | 525/900 [248/425]                              | 4.56 [0.42]            | 16/2                     | 17        | 1.5              | 2   | 0.115 [29] | 0.150 [37] | 0.189 [47] | 0.232 [58]  | 0.279 [69] | —          | —          | —           | —          | —          | —          | —           |             |             |
| (-)CFZ2417M                 | 525/900 [248/425]                              | 5.70 [0.52]            | 16/2                     |           |                  |   | 0.107 [27] | 0.137 [34] | 0.171 [42] | 0.209 [52]  | 0.251 [62] | —          | —          | —           | —          | —          | —          | —           | —           | —           |
| (-)CFZ3617S/<br>(-)CFZ3717S | 800/1200 [378/566]                             | 5.70 [0.52]            | 16/2                     |           | 2.5              |   | 0.107 [27] | 0.137 [34] | 0.171 [42] | 0.209 [52]  | 0.251 [62] | 0.297 [74] | 0.347 [86] | 0.401 [100] | —          | —          | —          | —           |             |             |
| (-)CFZ2421M                 | 525/900 [248/425]                              | 5.70 [0.52]            | 16/2                     | 21        | 1.5              | 2   | 0.107 [27] | 0.137 [34] | 0.171 [42] | 0.209 [52]  | 0.251 [62] | —          | —          | —           | —          | —          | —          | —           |             |             |
| (-)CFZ2421H                 | 525/900 [248/425]                              | 8.55 [0.79]            | 16/2                     |           |                  |   | 0.062 [15] | 0.086 [21] | 0.112 [28] | 0.140 [35]  | 0.170 [42] | —          | —          | —           | —          | —          | —          | —           | —           | —           |
| (-)CFZ2421H*                | 525/900 [248/425]                              | 7.60 [0.70]            | 13/3                     |           |                  |   | 0.041 [10] | 0.060 [15] | 0.081 [20] | 0.105 [26]  | 0.130 [32] | —          | —          | —           | —          | —          | —          | —           | —           | —           |
| (-)CFZ3621S                 | 800/1200 [378/566]                             | 5.70 [0.52]            | 16/2                     |           | 2.5              | 3   | 0.107 [27] | 0.137 [34] | 0.171 [42] | 0.209 [52]  | 0.251 [62] | 0.297 [74] | 0.347 [86] | 0.401 [100] | —          | —          | —          | —           | —           |             |
| (-)CFZ3621M                 | 800/1300 [378/614]                             | 8.55 [0.79]            | 16/2                     |           |                  |   | 0.062 [15] | 0.086 [21] | 0.112 [28] | 0.140 [35]  | 0.170 [42] | 0.202 [50] | 0.236 [59] | 0.272 [68]  | 0.309 [77] | —          | —          | —           | —           | —           |
| (-)CFZ3621M*                | 800/1300 [378/614]                             | 7.60 [0.70]            | 13/3                     |           |                  |   | 0.041 [10] | 0.060 [15] | 0.081 [20] | 0.105 [26]  | 0.130 [32] | 0.157 [39] | 0.186 [46] | 0.217 [54]  | 0.250 [62] | —          | —          | —           | —           | —           |
| (-)CFZ4821S/<br>(-)CFZ4921S | 1200/1600 [566/755]                            | 8.55 [0.79]            | 16/2                     |           | 3.5              | 4   | 0.062 [15] | 0.086 [21] | 0.112 [28] | 0.140 [35]  | 0.170 [42] | 0.202 [50] | 0.236 [59] | 0.272 [68]  | 0.309 [77] | 0.349 [87] | 0.391 [97] | 0.434 [108] | 0.480 [119] |             |
| (-)CFZ4821S*                | 1200/1600 [566/755]                            | 7.60 [0.70]            | 13/3                     |           |                  |   | 0.041 [10] | 0.060 [15] | 0.081 [20] | 0.105 [26]  | 0.130 [32] | 0.157 [39] | 0.186 [46] | 0.217 [54]  | 0.250 [62] | 0.285 [71] | 0.322 [80] | 0.361 [90]  | 0.402 [100] | —           |
| (-)CFZ6021ST*               | 1400/1800 [661/850]                            | 7.60 [0.70]            | 13/3                     |           |                  |   | 0.000 [0]  | 0.007 [2]  | 0.035 [9]  | 0.063 [16]  | 0.091 [23] | 0.119 [30] | 0.147 [37] | 0.175 [44]  | 0.203 [50] | 0.231 [57] | 0.259 [64] | 0.287 [71]  | 0.315 [78]  | 0.343 [85]  |
| (-)CFZ6021SE*               | 1400/1600 [661/755]                            | 7.60 [0.70]            | 13/3                     |           | 3                | 5   | 0.041 [10] | 0.060 [15] | 0.081 [20] | 0.105 [26]  | 0.130 [32] | 0.157 [39] | 0.186 [46] | 0.217 [54]  | 0.250 [62] | 0.285 [71] | 0.322 [80] | 0.361 [90]  | 0.402 [100] | 0.444 [111] |
| (-)CFZ3624M                 | 800/1300 [378/614]                             | 8.55 [0.79]            | 16/2                     |           | 24               | 2.5   | 3.0        | 0.062 [15] | 0.086 [21] | 0.112 [28]  | 0.140 [35] | 0.170 [42] | 0.202 [50] | 0.236 [59]  | 0.272 [68] | 0.309 [77] | —          | —           | —           |             |
| (-)CFZ4824S                 | 1200/1600 [566/755]                            | 8.55 [0.79]            | 16/2                     |           |                  | 3.5   | 4          | 0.062 [15] | 0.086 [21] | 0.112 [28]  | 0.140 [35] | 0.170 [42] | 0.202 [50] | 0.236 [59]  | 0.272 [68] | 0.309 [77] | 0.349 [87] | 0.391 [97]  | 0.434 [108] | 0.480 [119] |
| (-)CFZ4824M                 | 1200/1600 [566/755]                            | 9.98 [0.93]            | 13/3                     | 0.032 [8] |                  |   |            | 0.049 [12] | 0.069 [17] | 0.091 [23]  | 0.114 [28] | 0.140 [35] | 0.167 [42] | 0.197 [49]  | 0.228 [57] | 0.262 [65] | 0.297 [74] | 0.334 [83]  | 0.374 [93]  | —           |
| (-)CFZ6024S/<br>(-)CFZ6124S | 1400/1600 [661/755]                            | 9.98 [0.93]            | 13/3                     | 5         |                  | 0.032 [8]   | 0.049 [12] | 0.069 [17] | 0.091 [23] | 0.114 [28]  | 0.140 [35] | 0.167 [42] | 0.197 [49] | 0.228 [57]  | 0.262 [65] | 0.297 [74] | 0.334 [83] | 0.374 [93]  | 0.415 [103] |             |

[ ] Designates Metric Conversions

## Coil Specifications/Airflow Pressure Drop (Con't.)

| Coil Model (-)CFZ           | Approx. Design Cooling Airflow Range CFM [L/s] | Face Area Sq. Ft. [m <sup>2</sup> ] | Fins Per Inch/ Rows Deep | Width | Nominal Capacity |     | Dry Coil Static Pressure Drop (Inches W.C.) [kPa] @ CFM [L/s] – (Coil Only) |            |            |            |            |            |             |             |             |             |            |             |            |            |            |   |   |
|-----------------------------|--|-------------------------------------|--------------------------|-------|------------------|-----|---|------------|------------|------------|------------|------------|-------------|-------------|-------------|-------------|------------|-------------|------------|------------|------------|---|---|
|                             |  |                                     |                          |       |                  |     | 600 [283]   | 700 [330]  | 800 [378]  | 900 [425]  | 1000 [472] | 1100 [519] | 1200 [566]  | 1300 [614]  | 1400 [661]  | 1500 [708]  | 1600 [755] | 1700 [802]  | 1800 [850] | 1900 [897] |            |   |   |
| (-)CFZ2414S*                | 600/1200 [283/566]                             | 4.56 [0.42]                         | 16/2                     | 14    |                  |     | 0.121 [30]  | 0.160 [40] | 0.205 [51] | 0.256 [64] | 0.312 [78] | 0.373 [93] | 0.441 [110] | 0.514 [128] | —           | —           | —          | —           | —          | —          |            |   |   |
| (-)CFZ2417S/<br>(-)CFZ2517S | 600/1200 [283/566]                             | 4.56 [0.42]                         | 16/2                     | 17    | 1.5              | 2   | 0.097 [24]  | 0.128 [32] | 0.163 [41] | 0.202 [50] | 0.245 [61] | 0.292 [73] | 0.343 [85]  | 0.398 [99]  | —           | —           | —          | —           | —          | —          |            |   |   |
| (-)CFZ2417M                 | 600/1200 [283/566]                             | 5.70 [0.52]                         | 16/2                     |       |                  |     | 0.112 [28]  | 0.144 [36] | 0.180 [45] | 0.220 [55] | 0.264 [66] | 0.312 [78] | 0.364 [91]  | 0.420 [105] | —           | —           | —          | —           | —          | —          | —          | — |   |
| (-)CFZ3617S/<br>(-)CFZ3717S | 600/1300 [283/614]                             | 5.70 [0.52]                         | 16/2                     |       | 2.5              | 3   | 0.112 [28]  | 0.144 [36] | 0.180 [45] | 0.220 [55] | 0.264 [66] | 0.312 [78] | 0.364 [91]  | 0.420 [105] | 0.480 [119] | —           | —          | —           | —          | —          | —          |   |   |
| (-)CFZ2421M                 | 600/1200 [283/566]                             | 5.70 [0.52]                         | 16/2                     | 21    | 1.5              | 2   | 0.112 [28]  | 0.144 [36] | 0.180 [45] | 0.220 [55] | 0.264 [66] | 0.312 [78] | 0.364 [91]  | 0.420 [105] | —           | —           | —          | —           | —          | —          | —          |   |   |
| (-)CFZ2421H                 | 600/1200 [283/566]                             | 8.55 [0.79]                         | 16/2                     |       |                  |     | 0.062 [15]  | 0.086 [21] | 0.112 [28] | 0.140 [35] | 0.170 [42] | 0.202 [50] | 0.236 [59]  | 0.272 [68]  | 0.309 [77]  | 0.349 [87]  | 0.391 [97] | 0.434 [108] | —          | —          | —          | — | — |
| (-)CFZ2421H*                | 600/1600 [283/755]                             | 7.60 [0.70]                         | 13/3                     |       |                  |     | 0.043 [11]  | 0.053 [13] | 0.066 [16] | 0.080 [20] | 0.096 [24] | 0.115 [29] | 0.135 [34]  | 0.158 [39]  | 0.182 [45]  | 0.208 [52]  | 0.237 [59] | 0.267 [66]  | —          | —          | —          | — | — |
| (-)CFZ3621S                 | 600/1400 [283/661]                             | 5.70 [0.52]                         | 16/2                     |       | 2.5              |     |   | 0.112 [28] | 0.144 [36] | 0.180 [45] | 0.220 [55] | 0.264 [66] | 0.312 [78]  | 0.364 [91]  | 0.420 [105] | 0.480 [119] | —          | —           | —          | —          | —          | — |   |
| (-)CFZ3621M                 | 600/1900 [283/897]                             | 8.55 [0.79]                         | 16/2                     |       |                  |     |   | 0.039 [10] | 0.056 [14] | 0.075 [19] | 0.095 [24] | 0.117 [29] | 0.141 [35]  | 0.166 [41]  | 0.193 [48]  | 0.222 [55]  | 0.252 [63] | 0.284 [71]  | 0.318 [79] | 0.353 [88] | 0.391 [97] | — | — |
| (-)CFZ3621M*                | 600/1900 [283/897]                             | 7.60 [0.70]                         | 13/3                     |       |                  |     |   | 0.043 [11] | 0.053 [13] | 0.066 [16] | 0.080 [20] | 0.096 [24] | 0.115 [29]  | 0.135 [34]  | 0.158 [39]  | 0.182 [45]  | 0.208 [52] | 0.237 [59]  | 0.267 [66] | 0.299 [75] | 0.334 [83] | — | — |
| (-)CFZ4821S/<br>(-)CFZ4921S | 600/1900 [283/897]                             | 8.55 [0.79]                         | 16/2                     |       | 3.5              | 4   |   | 0.039 [10] | 0.056 [14] | 0.075 [19] | 0.095 [24] | 0.117 [29] | 0.141 [35]  | 0.166 [41]  | 0.193 [48]  | 0.222 [55]  | 0.252 [63] | 0.284 [71]  | 0.318 [79] | 0.353 [88] | 0.391 [97] | — |   |
| (-)CFZ4821S*                | 600/1900 [283/897]                             | 7.60 [0.70]                         | 13/3                     |       |                  |     |   | 0.043 [11] | 0.053 [13] | 0.066 [16] | 0.080 [20] | 0.096 [24] | 0.115 [29]  | 0.135 [34]  | 0.158 [39]  | 0.182 [45]  | 0.208 [52] | 0.237 [59]  | 0.267 [66] | 0.299 [75] | 0.334 [83] | — | — |
| (-)CFZ6021ST*               | 600/1900 [283/897]                             | 7.60 [0.70]                         | 13/3                     |       |                  |     |   | 0.000 [0]  | 0.000 [0]  | 0.016 [4]  | 0.040 [10] | 0.065 [16] | 0.089 [22]  | 0.113 [28]  | 0.137 [34]  | 0.162 [40]  | 0.186 [46] | 0.210 [52]  | 0.234 [58] | 0.259 [64] | 0.283 [70] | — | — |
| (-)CFZ6021SE*               | 600/1900 [283/897]                             | 7.60 [0.70]                         | —<br>13/3                |       | 3                | 5   |   | 0.043 [11] | 0.053 [13] | 0.066 [16] | 0.080 [20] | 0.096 [24] | 0.115 [29]  | 0.135 [34]  | 0.158 [39]  | 0.182 [45]  | 0.208 [52] | 0.237 [59]  | 0.267 [66] | 0.299 [75] | 0.334 [83] | — |   |
| (-)CFZ3624M                 | 600/1900 [283/897]                             | 8.55 [0.79]                         | 16/2                     |       | 24               | 2.5 | 3   | 0.039 [10] | 0.056 [14] | 0.075 [19] | 0.095 [24] | 0.117 [29] | 0.141 [35]  | 0.166 [41]  | 0.193 [48]  | 0.222 [55]  | 0.252 [63] | 0.284 [71]  | 0.318 [79] | 0.353 [88] | 0.391 [97] | — |   |
| (-)CFZ4824S                 | 600/1900 [283/897]                             | 8.55 [0.79]                         | 16/2                     |       |                  |     |   | 0.039 [10] | 0.056 [14] | 0.075 [19] | 0.095 [24] | 0.117 [29] | 0.141 [35]  | 0.166 [41]  | 0.193 [48]  | 0.222 [55]  | 0.252 [63] | 0.284 [71]  | 0.318 [79] | 0.353 [88] | 0.391 [97] | — | — |
| (-)CFZ4824M                 | 600/1900 [283/897]                             | 9.98 [0.93]                         | 13/3                     | 3.5   |                  | 4   | 0.023 [6]   | 0.038 [10] | 0.055 [14] | 0.074 [18] | 0.095 [24] | 0.119 [29] | 0.144 [36]  | 0.171 [42]  | 0.200 [50]  | 0.231 [58]  | 0.264 [66] | 0.300 [75]  | 0.337 [84] | 0.376 [94] | —          |   |   |
| (-)CFZ6024S/<br>(-)CFZ6124S | 600/1900 [283/897]                             | 9.98 [0.93]                         | 13/3                     |       |                  |     | 5   | 0.023 [6]  | 0.038 [10] | 0.055 [14] | 0.074 [18] | 0.095 [24] | 0.119 [29]  | 0.144 [36]  | 0.171 [42]  | 0.200 [50]  | 0.231 [58] | 0.264 [66]  | 0.300 [75] | 0.337 [84] | 0.376 [94] | — |   |

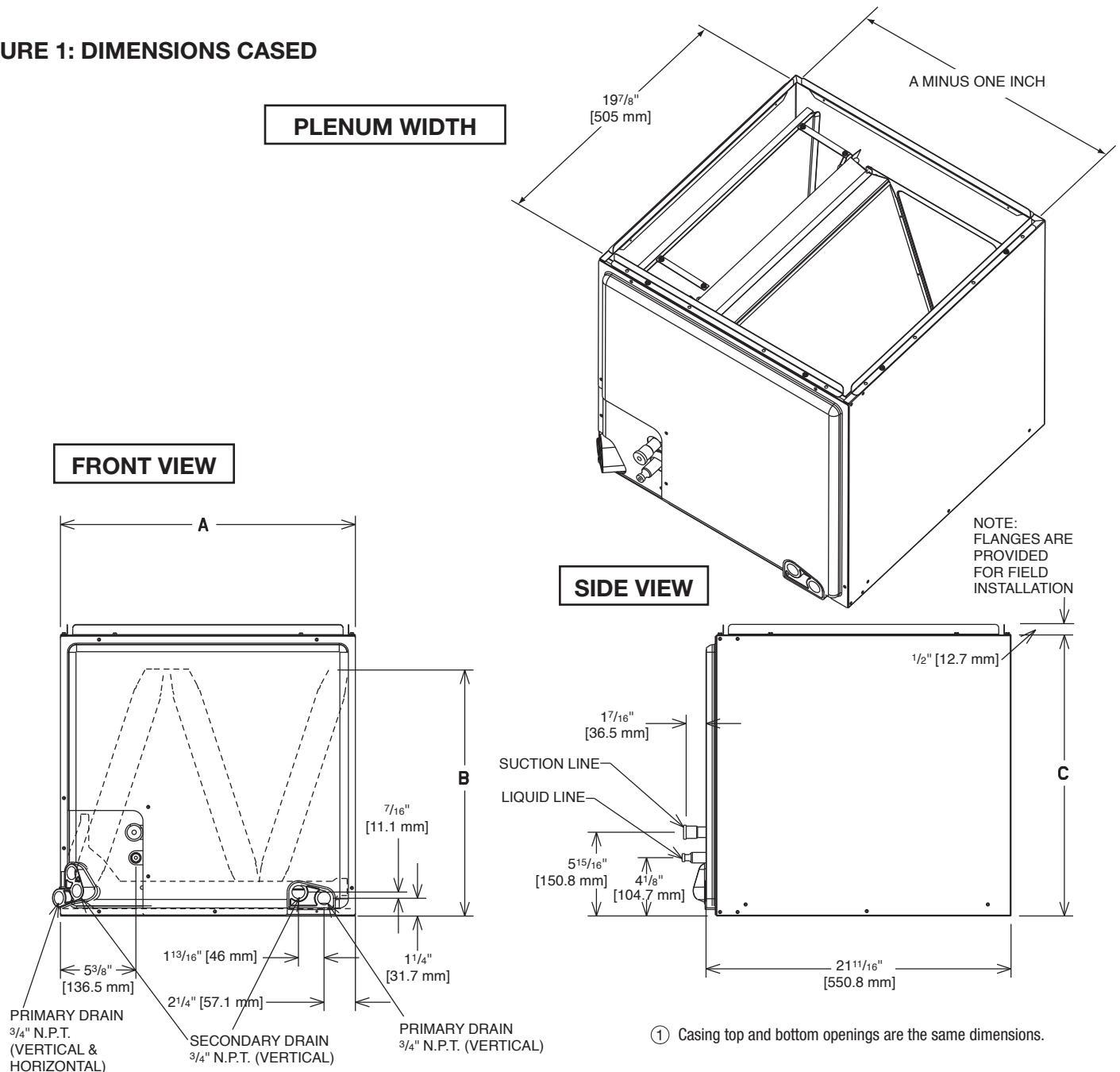
[ ] Designates Metric Conversions

## Cased Coil Dimensions and Weights

| Coil Model (-)CFZ           | Connections I.D. |             | Cased Coil Dimensions (in) [mm]      |                                       |                                       | Weight                   |                              |
|-----------------------------|------------------|-------------|--------------------------------------|---------------------------------------|---------------------------------------|--------------------------|------------------------------|
|                             | Sweat (in.) [mm] |             | A                                    | B                                     | C                                     | Coil Weight (lbs.) [Kg.] | Shipping Weight (lbs.) [Kg.] |
|                             | Liquid           | Suction     |                                      |                                       |                                       |                          |                              |
| 2414S*                      | 3/8 [9.53]       | 3/4 [19.05] | 14 [356]                             | 20 <sup>1</sup> / <sub>16</sub> [535] | 23 <sup>3</sup> / <sub>16</sub> [584] | 45 [20]                  | 49 [22]                      |
| 2417S/2517S                 | 3/8 [9.53]       | 3/4 [19.05] | 17 <sup>1</sup> / <sub>2</sub> [445] | 14 <sup>1</sup> / <sub>2</sub> [368]  | 20 [508]                              | 43 [19]                  | 48 [21]                      |
| 2417M/3617S/3717S           | 3/8 [9.53]       | 3/4 [19.05] | 17 <sup>1</sup> / <sub>2</sub> [445] | 17 [454]                              | 20 [508]                              | 49 [22]                  | 54 [24]                      |
| 2421M/3621S                 | 3/8 [9.53]       | 3/4 [19.05] | 21 [533]                             | 17 <sup>1</sup> / <sub>2</sub> [445]  | 20 [508]                              | 51 [23]                  | 57 [25]                      |
| 2421H/3621M/4821S/4921S     | 3/8 [9.53]       | 7/8 [22.23] | 21 [533]                             | 25 [657]                              | 28 [711]                              | 71 [32]                  | 78 [35]                      |
| 3624M/4824S                 | 3/8 [9.53]       | 7/8 [22.23] | 24 <sup>1</sup> / <sub>2</sub> [622] | 25 [645]                              | 32 [812]                              | 83 [38]                  | 93 [42]                      |
| 4824M/6024S/6124S           | 3/8 [9.53]       | 7/8 [22.23] | 24 <sup>1</sup> / <sub>2</sub> [622] | 30 <sup>1</sup> / <sub>4</sub> [768]  | 32 [812]                              | 100 [45]                 | 110 [50]                     |
| 2421H*/3621M*/4821S*/6021S* | 3/8 [9.53]       | 7/8 [22.23] | 21 [533]                             | 33 [838]                              | 34 <sup>1</sup> / <sub>2</sub> [876]  | 76 [34]                  | 86 [37]                      |

\* = "A" Coil

FIGURE 1: DIMENSIONS CASED



[ ] Designates Metric Conversions

## Coil Application

Coils can be matched to heating products as listed in table below.

| Coil Model<br>(-)CFZ                              | Furnace Width<br>(In.) (mm) |           |
|---|-----------------------------|-----------|
|   | Oil*                        | Gas       |
| 2414S<br>2417S/2417M/2517S<br>3617S/3717S         | —                           | 14 [356]  |
| 2417S/2417M/2517S<br>3617S/3717S                  | 17 [431]                    | 17½ [444] |
|   |                             | 14 [356]  |
| 2421M<br>2421H/3621S/3621M /<br>4821S/4921S/6021S | 21 [533]                    | 21 [533]  |
|   |                             | 17½ [444] |
| 3624M<br>4824S/4824M/6024S<br>6024H/6124S         | 24½ [622]                   | 24½ [622] |
|   |                             | 21 [533]  |

\*Due to the proximity of the drain pan to the high temperature oil furnace drum, horizontal left application is NOT permitted on all oil furnaces.

## Accessories

### • PLENUM ADAPTER ACCESSORY RXBA-AE

This plenum adapter accessory is for use with the 24½" wide cased indoor cooling and heat pump coils. This allows a 24½" wide cased coil to be installed on a 28" wide oil furnace. This is a field-installed accessory only.

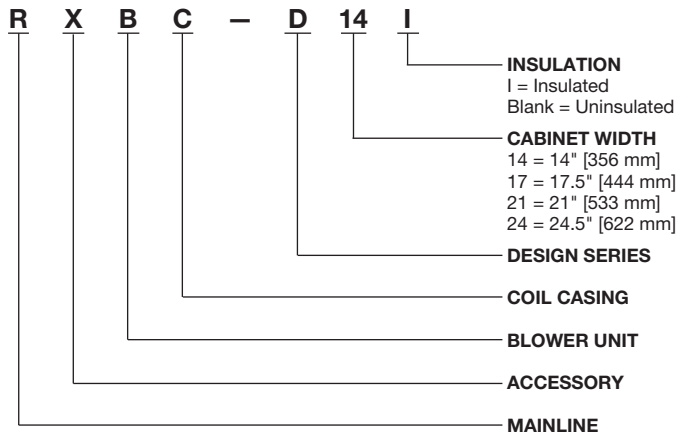
### • RXBA-AC (Upflow/Horizontal)

These plenum adapter accessories are for use when a cooling coil is matched with a gas furnace of one smaller size.

### • HORIZONTAL ADAPTER KIT RXHH (See Figure 2)

This horizontal adapter kit is used to convert a upflow or downflow coil (\*VUA) for a horizontal application. See Table 4 to order the proper horizontal adapter kit.

### • INDOOR COIL CASING- RXBC (See Table 5)

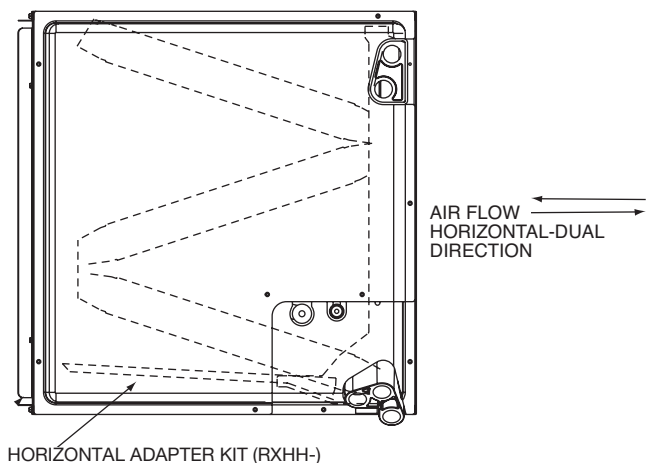


[ ] Designates Metric Conversions



## Accessories (Con't.)

FIGURE 2: HORIZONTAL ADAPTER KIT ILLUSTRATION



[ ] Designates Metric Conversions

## Unit Dimensions and Weights

### RXBC Indoor Coil Casings

| Model Number | Width (in.) [mm]                     | Height (in.) [mm]                     | Depth (in.) [mm]                     | Unit Weight         |                        | Supply Air/Return Air Openings       |  |
|--------------|--------------------------------------|---------------------------------------|--------------------------------------|---------------------|------------------------|--------------------------------------|--|
|              |                                      |                                       |                                      | Weight (lbs.) [Kg.] | Ship. Wt. (lbs.) [Kg.] | Width (in.) [mm]                     | Depth (in.) [mm]                       |
| RXBC-D14AI   | 14 [356]                             | 23 <sup>7</sup> / <sub>16</sub> [589] | 21 <sup>5</sup> / <sub>8</sub> [549] | 19 [9]              | 23 [10]                | 13 [330]                             | 19 <sup>31</sup> / <sub>32</sub> [508] |
| RXBC-D17AI   | 17 <sup>1</sup> / <sub>2</sub> [445] | 20 [508]                              |                                      | 18 [8]              | 23 [10]                | 16 <sup>1</sup> / <sub>2</sub> [419] |  |
| RXBC-D21AI   | 21 [533]                             | 20 [508]                              |                                      | 20 [9]              | 26 [12]                | 20 [508]                             |  |
| RXBC-D21BI   | 21 [533]                             | 28 [711]                              |                                      | 27 [12]             | 36 [17]                | 20 [508]                             |  |
| RXBC-D24AI   | 24 <sup>1</sup> / <sub>2</sub> [622] | 32 <sup>1</sup> / <sub>2</sub> [826]  |                                      | 34 [16]             | 44 [20]                | 23 <sup>1</sup> / <sub>2</sub> [597] |  |







**GENERAL TERMS OF LIMITED WARRANTY\***

Mainline® will furnish a replacement for any part of this product which fails in normal use and service within the applicable period stated, in accordance with the terms of the limited warranty.

\*For complete details of the Limited and Conditional Warranties, including applicable terms and conditions, contact your local contractor or the Manufacturer for a copy of the product warranty certificate.

Conditional Parts  
(Registration Required)..... Ten (10) Years

**Before proceeding with installation, refer to installation instructions packaged with each model, as well as complying with all Federal, State, Provincial, and Local codes, regulations, and practices.**

*"In keeping with its policy of continuous progress and product improvement, Mainline reserves the right to make changes without notice."*

[www.MainlineCollection.com](http://www.MainlineCollection.com)