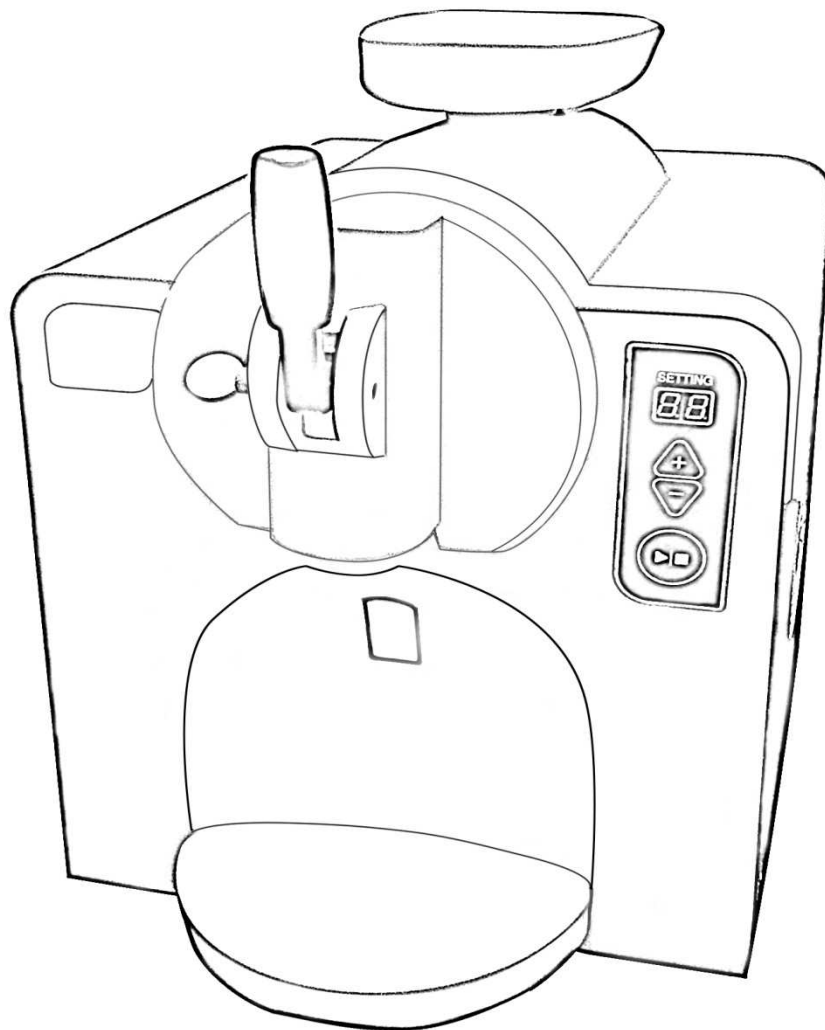


Ice Cream Depot

Frozen Dessert and Beverage Maker

Model SX1000

Use and Care



ICE CREAM
DEPOT



IMPORTANT SAFEGUARDS

When using an electrical appliance, basic safety precautions should always be followed to reduce the risk of fire, electric shock, and/or injury, including the following:

READ ALL INSTRUCTIONS BEFORE USING.

1. To protect against risk of electric shock, do not place cord, plug, or base of appliance in water or any other liquid.
2. Close supervision is necessary when any appliance is used by or near children.
3. Always unplug from outlet when not in use, before assembling or taking off parts, and before cleaning.
4. Avoid contact with moving parts. Keep hands, hair, clothing, as well as spatulas and other utensils away during operation to reduce the risk of injury and/or damage to the appliance.
5. Do not operate any appliance with a damaged cord or plug, after an appliance malfunction, or is dropped or damaged in any manner. Contact our consumer relations department for examination, repair, and/or replacement.
6. The use of attachments not recommended by Ice Cream Depot and may cause fire, electric shock or injury.
7. NEVER lay the Frozen Dessert and Beverage Maker on its side or upside down.
8. Do not use outdoors.
9. Do not let cord hang over edge of table or counter, or touch hot surfaces.
10. Use this appliance only for its intended purpose as described in this Use & Care Booklet.

SAVE THESE INSTRUCTIONS

FOR HOUSEHOLD USE ONLY

CAUTION

This appliance is for Household Use Only. Any servicing other than cleaning and user maintenance should be done only by authorized Ice Cream Depot Repair Personnel.

- Do not immerse unit in water.
- To reduce the risk of fire or electric shock, do not disassemble the housing.
Note: No user serviceable parts are accessible inside of unit
- Repairs should be made only by authorized personnel.
- Check voltage to make sure that the voltage indicated on the rating plate, on the back of the unit, matches your voltage.
- Never clean with scouring powders or hard implements.
- This unit contains a compressor for chilling purposes. Unit should remain upright at all times. If the unit has been turned on its side or upside down, the refrigerant and oil in the compressor will separate. You will need to put it in upright position and wait for 24 hours before using. This must be done anytime the unit has been on its side or upside down.

ADDITIONAL SAFETY INFORMATION

Grounding Instructions

This appliance must be grounded. It is equipped with a 3-wire cord having a grounded plug. The plug must be plugged into an outlet which is properly installed and grounded.

Warning:

Improper use of the grounded wire can result in the risk of electric shock. Consult a qualified electrician if necessary. Do not attempt to defeat this safety feature by modifying plug.

A short power-supply cord is provided to reduce the hazards resulting from entanglement or tripping over a longer cord. If it is necessary to use an extension cord, it should be positioned such that it does not drape over the counter or tabletop where it can be pulled on by children or tripped over and:

- Use only 3-wire extension cord with 3-blade grounding plug.
- The marked rating of the extension cord must be equal to or greater than the rating of this appliance. The electrical rating is listed on the back of this unit.

If the appliance malfunctions in any way, immediately power off the unit and unplug the cord from the outlet.

CONTENTS

Important Safeguards	P.1
Caution	P.2
Additional Safety Information	P.2
Contents	P.3
Introduction	P.4
Know your Frozen Dessert and Beverage Maker	P.5
Assembling your Frozen Dessert & Beverage Maker - SX1000	P.6
Using your Frozen Dessert and Beverage Maker - SX1000	P.7
Helpful Hints	P.8
Limited Warranty	P.9
Contact Information	BACK

INTRODUCTION

Congratulations on your purchase of the Ice Cream Depot Frozen Dessert and Beverage Maker - the world's first soft serve machine for household use. Delight your family and friends with our assortment of ICD Mixes. Our selected flavors for soft serve ice cream, sorbets, yogurts, milkshakes, protein shakes, slush drinks and adult beverages are prepared in just minutes in the comfort of your home.

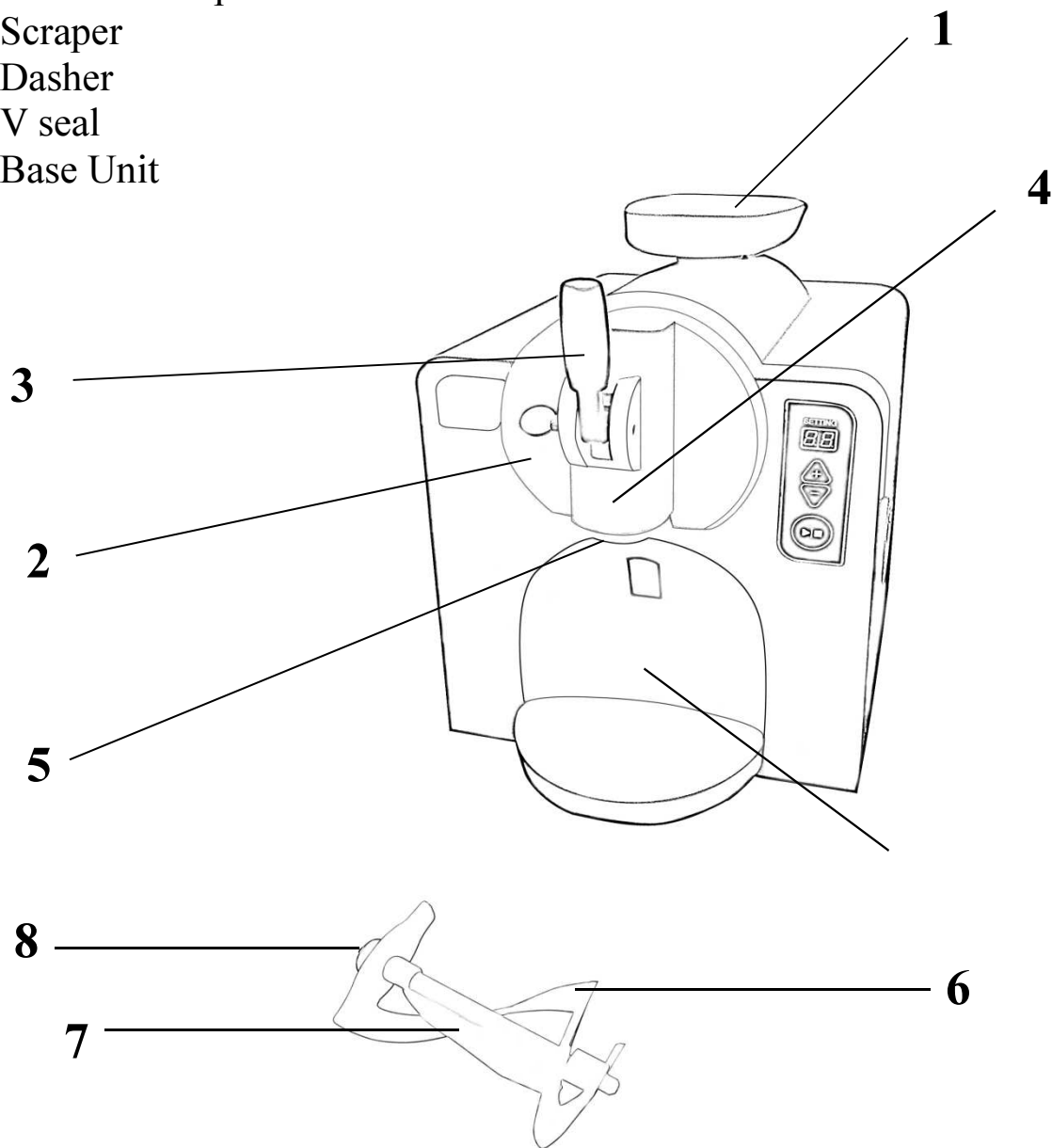
The Ice Cream Depot Frozen Dessert and Beverage Maker has a built-in compressor freezer that eliminates the need to pre-freeze a bowl, so frozen desserts and drinks are ready in minutes. With the Infra Red sensing / dispense system, you can dispense the soft serve ice cream / frozen beverages simply by pulling down the dispense handle.

With the touch of a button, this frozen dessert and beverage maker automatically starts the process. Just follow the mixing instruction of the ICD Mix and pour into the unit via the hopper on top, set the code number printed on the pack of the ICD Mix and press the Start Button to create the smoothest, creamiest frozen desserts.

For first time use, clean the Hopper, Auger Assembly, Dispense Head, Plunger and Decorator Cap with warm soapy water to remove any dust or residue from the manufacturing and shipping process. Do not clean any of the parts with abrasive cleaners, hard implements. Parts are dishwasher safe.

KNOW YOUR FROZEN DESSERT & BEVERAGE MAKER

1. Hopper
2. Dispense Head
3. Dispense Handle
4. Plunger (Not show)
5. Decorator Cap
6. Scraper
7. Dasher
8. V seal
9. Base Unit



ASSEMBLING YOUR FROZEN DESSERT & BEVERAGE MAKER - SX1000

1. Insert the Auger assembly into the freezing cylinder and seat the hexagonal shaft on the auger into the back of the cylinder.
2. Next install the completed Dispense Head assembly onto the locking mechanism on the front panel of the SX1000 by lining up the arrows on the top of the Dispense Head with the arrow on the top of the machine.
3. Turn the Dispense Head counter clockwise to lock the dispense head onto the front panel of the SX1000.
4. Install the drip tray onto the ribs at the lower part of the front panel.
5. Install the hopper by opening the cap on the top of the machine and inserting the hopper into that opening.
6. The assembly of the SX1000 is now complete.

**** For Detail, please refer to Videos in Website ****

www.icecreamdepot.com

USING YOUR FROZEN DESSERT & BEVERAGE MAKER - SX1000

- Prepare liquid mixes based on mixing instruction printed on the package of ICD Mix which is specifically formulated for this appliance. For best result, mix using a whisk or blender.
- Install the Auger / Auger Skeleton / Dasher / V-seal to form the Auger Assembly.
- Insert the Auger Assembly into the Barrel of the Base Unit and rotate clockwise / anticlockwise until the Hex Shaft of the Auger Assembly has been engaged with the Hex Drive at the rear of the Barrel.
- Assemble the Plunger into the Dispense Head. Install the Dispense Lever to the Dispense Head by inserting the pivot pin. Finally, twist to lock the Decorator Cap to the bottom of the Dispense Head to complete the Dispense Head Assembly.
- Align the HEX Shaft of Dasher to the HEX Hole of the Dispense Head Assembly. Align the three tabs of the Dispense Head to the three openings around the Barrel and twist lock the dispense head by rotating the dispense head anti-clockwise 1/8 turn.
- Pull down and push up the dispense lever to make sure the dispense hole had been sealed by the Plunger.
- Plug the cord into a 120V AC outlet.
- Turn the power to the unit ON by switching on the Power Switch at the LEFT hand side of unit. The Ventilation Fan will start to blow air out from the unit. Please do not block the Ventilation Fan exit, as a minimum of 2 inches of clearance is required.
- Set the code number per the ICD Mix used.
- Press the Start / Stop Button. The process will begin. The unit will stop when the count-down clock reaches “00”. An audible tone will sound to alert you that the selected product is ready to serve.

NOTE: Please refer to Function Details to understand all Operation Modes in Website

www.icecreamdepot.com

HELPFUL HINTS

- Finished product can be stored in the freezer for later use.
- If the frozen finished product cannot be consumed at once, the machine will keep it fresh and good for consumption for hours. Do not keep it in the machine overnight as prolonged stirring / beating will deteriorate the frozen product.
- If you want to try some homemade recipes instead of using the selected ICD Mixes, refer to the below suggested number setting for trial and error. (the number setting provided refers to a full capacity, i.e. 750g recipe for ice-cream and 1 liter for Beverage)
 - Soft serve Ice-Cream – 13 to 18
 - Slush – 8 to 12
 - Frozen Beverage – 8 to 12
 - Adult Beverage – 12 to 14
 - Ice Drinks (ambient temp to 6 deg C) – 4 to 6
- Always ensure that the sugar in your home made recipes have been completely dissolved. If your recipe requires it to be cooked on the stove, prepare it in advance and allow it to chill in the refrigerator for at least 4 hours. If a warm recipe (temperature above ambient water) is poured into the machine, it will take longer to reach a finished product state.

LIMITED WARRANTY

This warranty covers all defects in workmanship or materials in the mechanical and electrical parts, arising under normal usage and care for a period of 12 months from the date of purchase provided you are able to present a valid proof-of-purchase. A valid proof-of-purchase is a receipt specifying item, date purchased, and cost of item. A gift receipt with date of purchase and item is also an acceptable proof-of-purchase.

Product is intended for Household Use Only. Any commercial use voids the warranty.

This warranty covers the original retail purchaser or gift recipient.

During the applicable warranty period within normal household use, we will repair or replace, at our discretion, any mechanical or electrical part which proves defective, or replace unit with a comparable model.

To obtain service under the terms of this warranty,
call Toll Free (855) 666-1555

THIS LIMITED WARRANTY COVERS UNITS PURCHASED AND USED WITHIN THE UNITED STATES AND DOES NOT COVER:

- Damages from improper installation.
- Defects other than manufacturing defects.
- Damages from misuse, abuse, accident, alteration, lack of proper care and maintenance, or incorrect current or voltage. (Immediately voids warranty)
- Damage from service by other than an authorized dealer or service center. (immediately voids warranty)

This warranty gives you special legal rights and you may also have other rights to which you are entitled which may vary from state to state.

IMPORTANT NOTICE

PLEASE DO NOT RETURN TO STORE.

If you have any problems with this unit,
Contact Ice Cream Depot for service

PHONE: 1-855-666-1555

Or visit our website at

www.icecreamdepot.com

Please read the operating instructions within the website before
using this product.

Please download the operation instructions at the website for
future reference

Please keep original box and packing materials
in the event that service is required

Printed in China

All trademarks, service marks and trade names (collectively the “Marks”) are proprietary to Ice Cream Depot Inc.