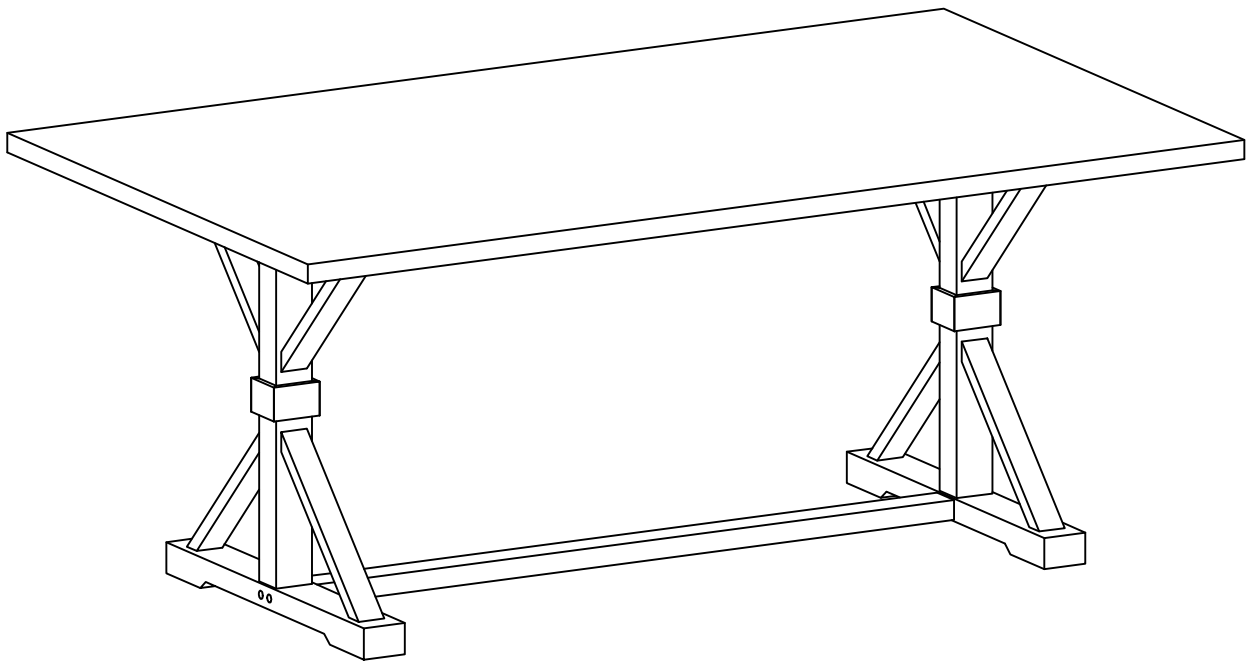


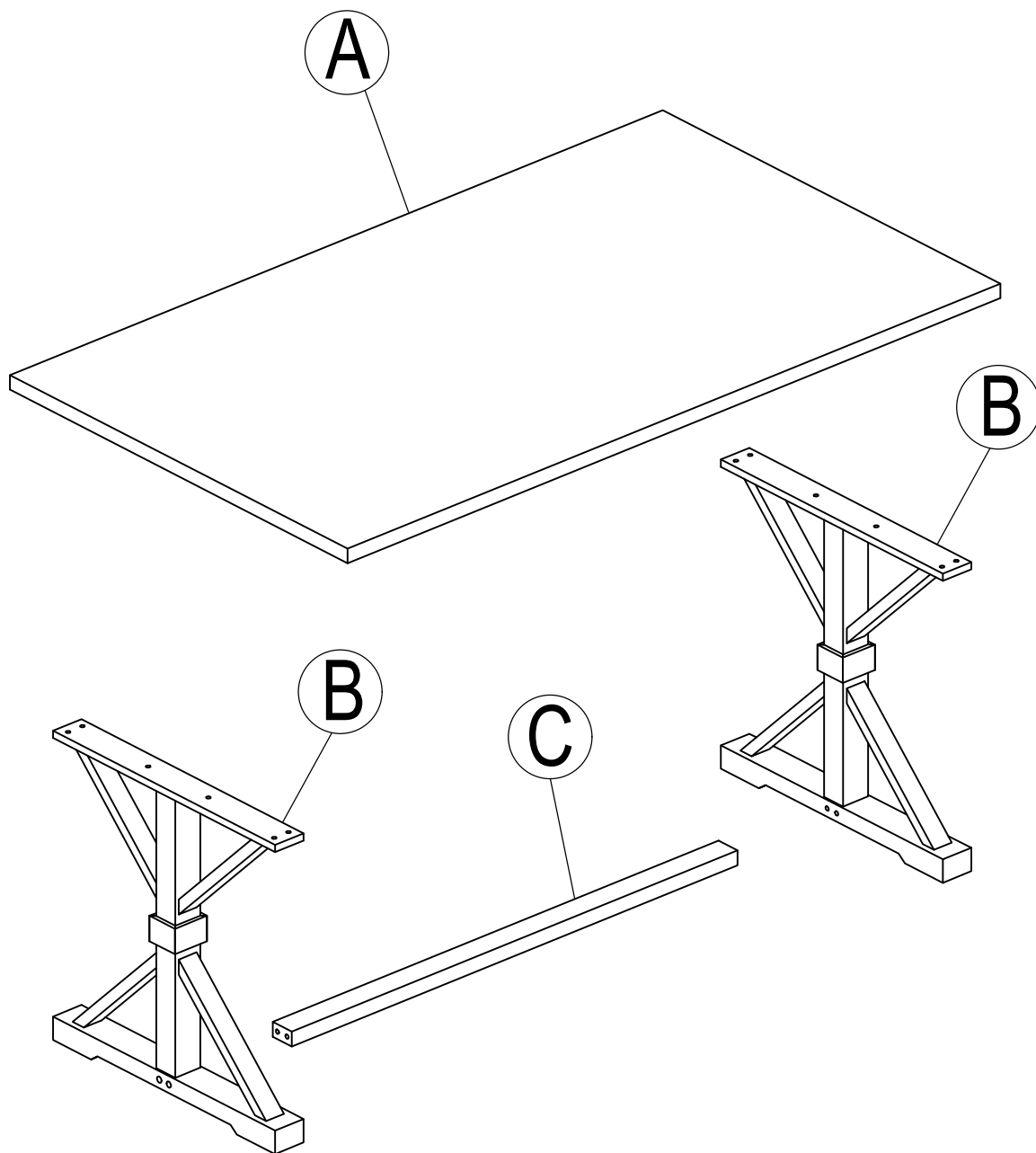
ASSEMBLY INSTRUCTIONS

ITEM NO.WF295246



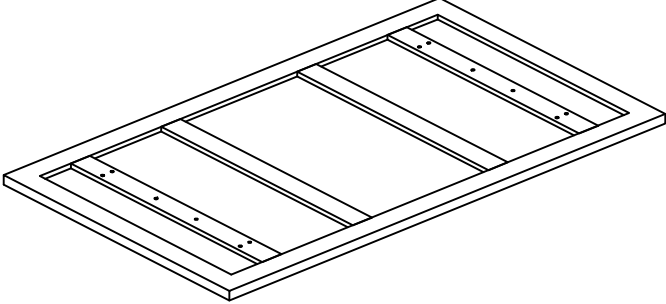
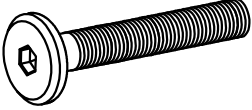
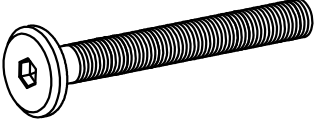
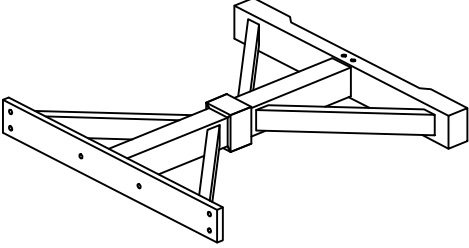

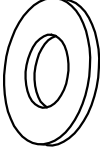
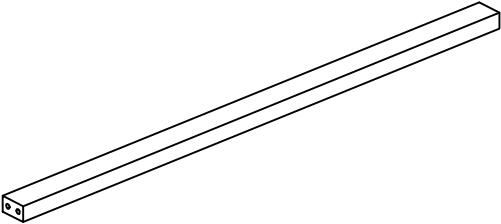


IMPORTANT NOTE :

- ① PLACE ALL PARTS ON A CLEAN AND SMOOTH SURFACE SUCH AS A RUG OR CARPET TO AVOID THE PARTS FROM BEING SCRATCHED.
- ② BEFORE YOU BEGIN,KINDLY FOLLOW THE ASSEMBLY INSTRUCTIONS STEP BY STEP.
- ③ DO NOT TIGHTEN ALL SCREWS AND BOLTS UNTIL THE TABLE IS FULLY SET-UP.

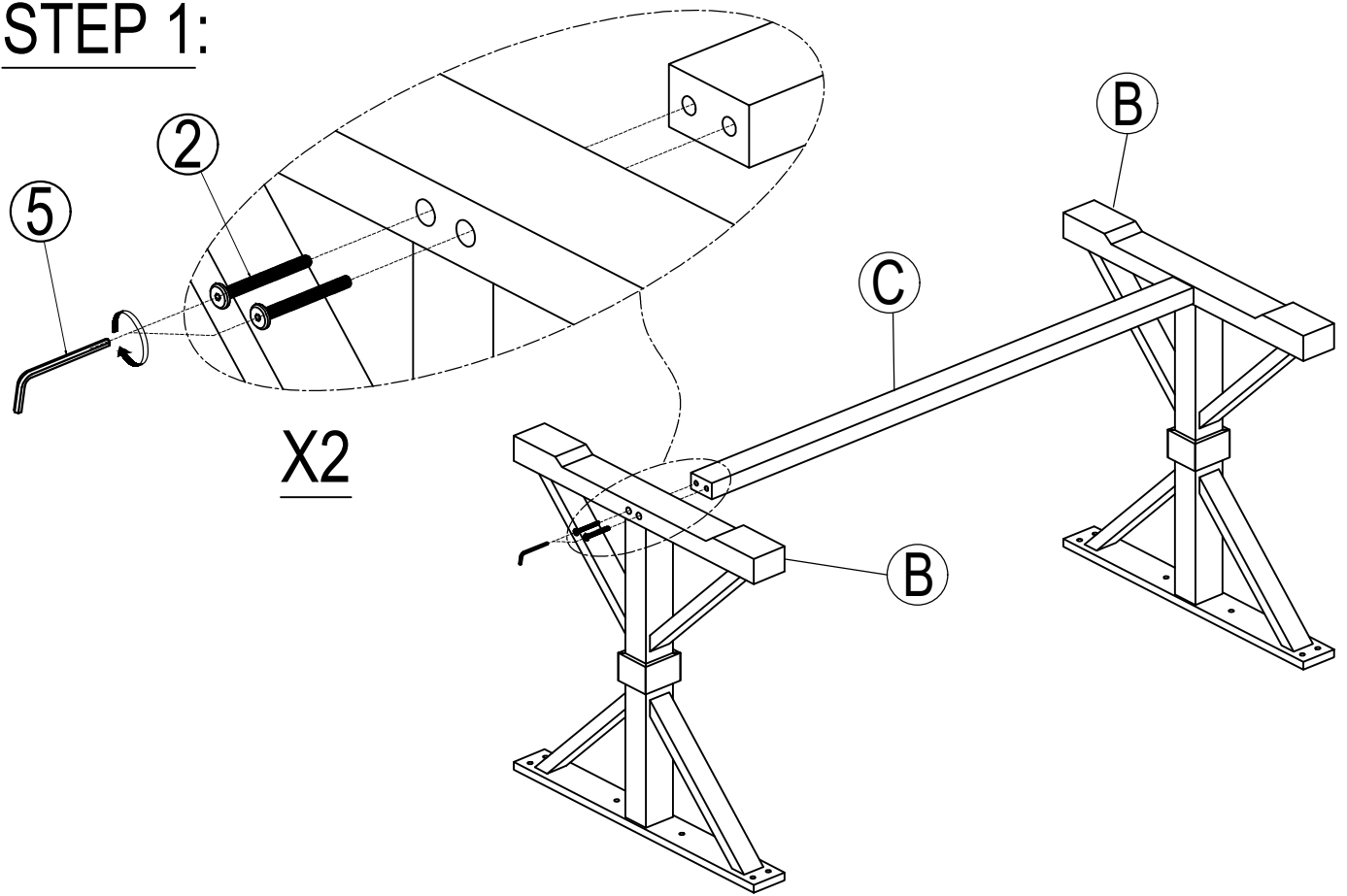


Part List

Hardware List

<p>(A)</p>  <p>TABLE TOP(1 pc)</p>	<p>1</p>  <p>Ø 5/16" x 40 mm</p>
	<p>BOLT (12 pcs)</p>
	<p>2</p>  <p>Ø 5/16" x 60 mm</p>
	<p>BOLT (4 pcs)</p>
<p>(B)</p>  <p>TABLE LEG (2 pcs)</p>	<p>3</p>  <p>Ø5/16" x 13 mm</p>
	<p>FLAT WASHER (12 pcs)</p>
	<p>4</p>  <p>Ø5/16" x 19 mm</p>
	<p>LOCK WASHER (12 pcs)</p>
<p>(C)</p>  <p>TABLE STRETCHER (1 pc)</p>	<p>5</p>  <p>4 mm</p>
	<p>ALLEN KEY (1 pc)</p>
	<p>6</p> 
	<p>WOOD PLUG (4pcs)</p>

STEP 1:



STEP 2:

