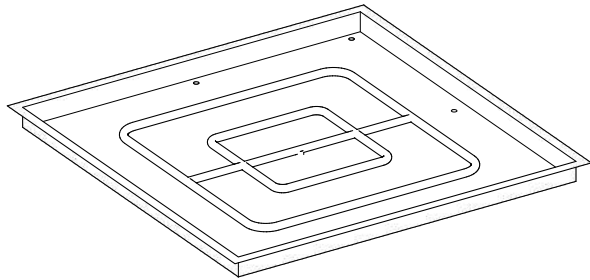
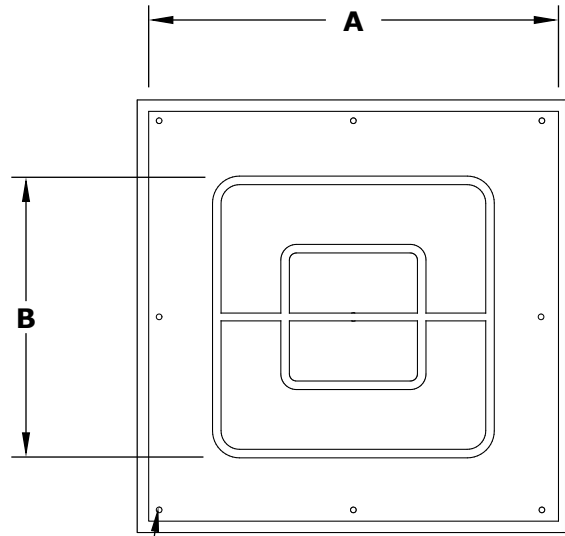


# SQUARE DROP IN PAN & SQUARE BURNER MATCH LIT IGNITION

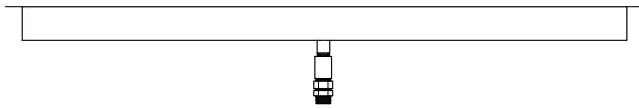


**ISOMETRIC VIEW**

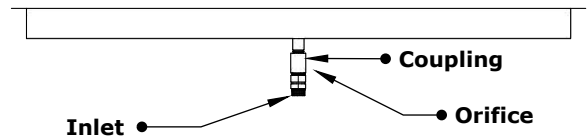


Drain Holes ●

**TOP VIEW**



**RIGHT SIDE VIEW**



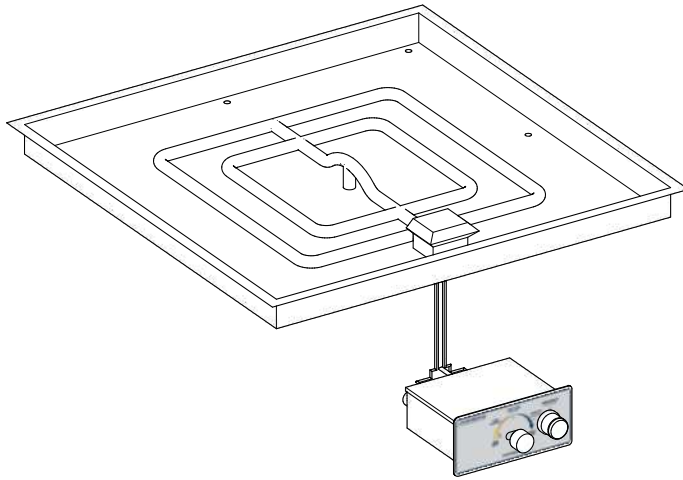
**FRONT SIDE VIEW**

SKU	A	B	RINGS	INLET	BTU
OPT-PBS16	16"	12"	1 Ring	1/2"	90,000
OPT-PBS18	18"	12"	1 Ring	1/2"	90,000
OPT-PBS24	24"	18"	2 Rings	1/2"	160,000
OPT-PBS30	30"	24"	2 Rings	1/2"	190,000
OPT-PBS36	36"	30"	3 Rings	3/4"	310,000
OPT-PBS48	48"	36"	3 Rings	3/4"	375,000

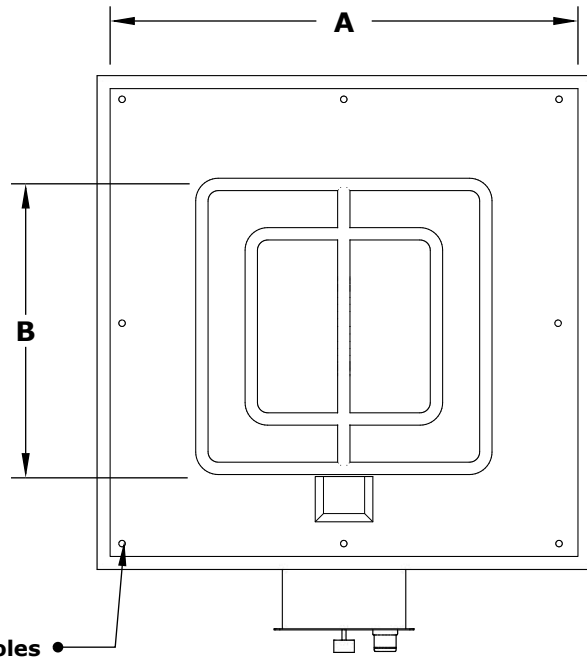
Pan Material: Aluminum  
Burner Material: Stainless Steel  
Ignition Type: Match Lit

Includes: Pan, Burner, Electronic Valve.

# SQUARE DROP IN PAN & SQUARE BURNER FLAME SENSE IGNITION

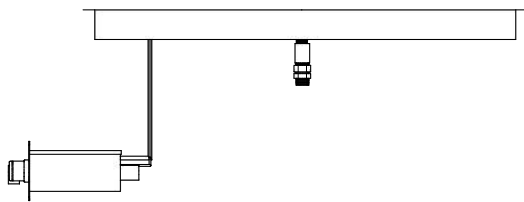


**ISOMETRIC VIEW**

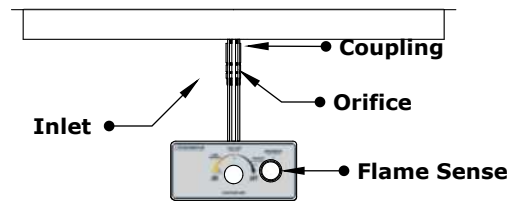


Drain Holes

**TOP VIEW**



**RIGHT SIDE VIEW**



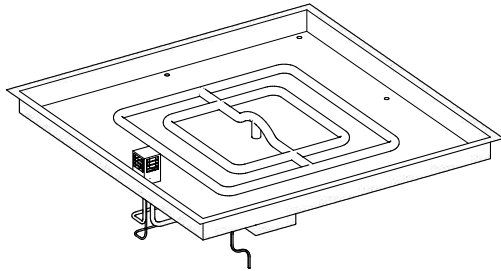
**FRONT SIDE VIEW**

SKU	A	B	RINGS	INLET	BTU
OPT-PBS16	16"	12"	1 Ring	1/2"	90,000
OPT-PBS18	18"	12"	1 Ring	1/2"	90,000
OPT-PBS24	24"	18"	2 Rings	1/2"	160,000
OPT-PBS30	30"	24"	2 Rings	1/2"	190,000

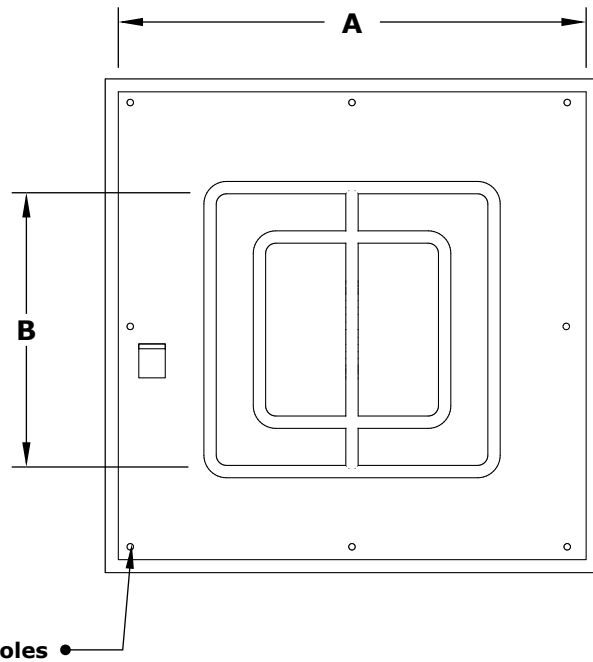
Pan Material: Aluminum  
 Burner Material: Stainless Steel  
 Ignition Type: Flame Sense

Includes: Pan, Burner, Flame Sense Valve.

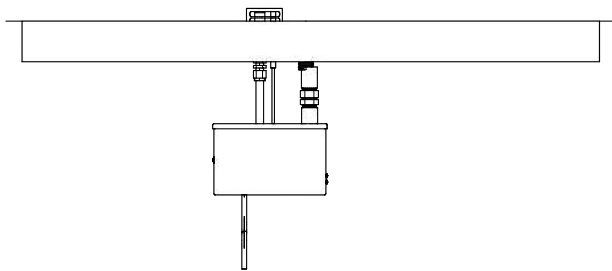
# SQUARE DROP IN PAN & SQUARE BURNER 12V ELECTRONIC IGNITION



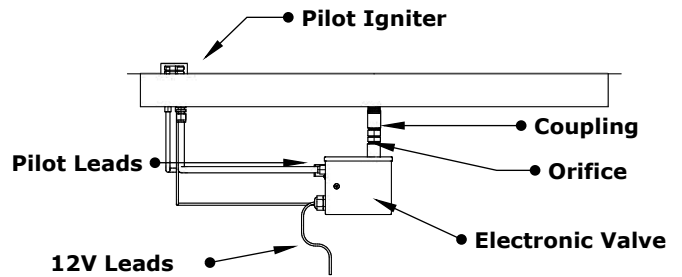
**ISOMETRIC VIEW**



**TOP VIEW**



**RIGHT SIDE VIEW**



**FRONT SIDE VIEW**

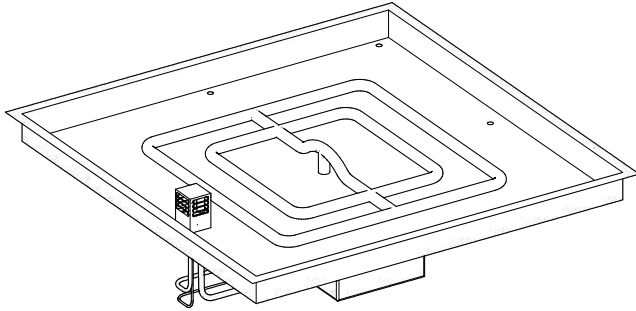
SKU	A	B	RINGS	INLET	BTU
OPT-PBS16E12	16"	12"	1 Ring	1/2"	90,000
OPT-PBS18E12	18"	12"	1 Ring	1/2"	90,000
OPT-PBS24E12	24"	18"	2 Rings	1/2"	160,000
OPT-PBS30E12	30"	24"	2 Rings	1/2"	190,000
OPT-PBS36E12	36"	30"	3 Rings	3/4"	310,000
OPT-PBS48E12	48"	36"	3 Rings	3/4"	375,000

Pan Material: Aluminum  
Burner Material: Stainless Steel  
Ignition Type: 12V Electronic Ignition  
(12V Transformer Included)

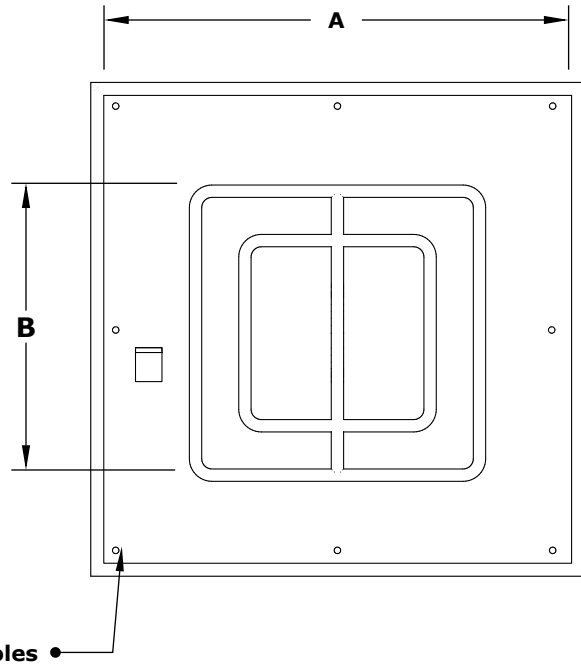
**SP**  
c us **12V ELECTRONIC IGNITION**  
ANSI Z21.97-(2017) / CSA 2.41-(2017)

Includes: Pan, Burner, Electronic Valve,  
Pilot Igniter, 12V Transformer.

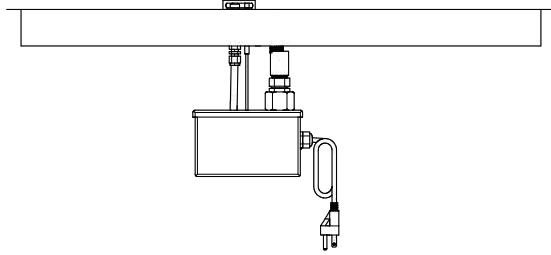
# SQUARE DROP IN PAN & SQUARE BURNER 110V ELECTRONIC IGNITION



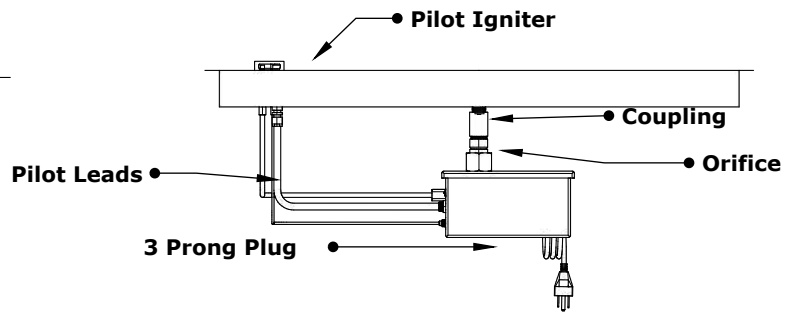
ISOMETRIC VIEW



TOP VIEW



RIGHT SIDE VIEW



FRONT SIDE VIEW

SKU	A	B	RINGS	INLET	BTU
OPT-PBS16E110	16"	12"	1 Ring	1/2"	90,000
OPT-PBS18E110	18"	12"	1 Ring	1/2"	90,000
OPT-PBS24E110	24"	18"	2 Rings	1/2"	160,000
OPT-PBS30E110	30"	24"	2 Rings	1/2"	190,000
OPT-PBS36E110	36"	30"	3 Rings	3/4"	310,000
OPT-PBS48E110	48"	36"	3 Rings	3/4"	375,000

Pan Material: Aluminum  
 Burner Material: Stainless Steel  
 Ignition Type: 110V Electronic Ignition  
 (110V Transformer Included)



**110V ELECTRONIC IGNITION**  
 ANSI Z21.97-(2017) / CSA 2.41-(2017)

Includes: Pan, Burner, Electronic Valve,  
 Pilot Igniter, 110V Transformer.

*Proprietary & Confidential:* The information contained in this drawing is the sole property of **The Outdoor Plus**. Any reproduction or as a whole without written permission of **The Outdoor Plus** is prohibited.