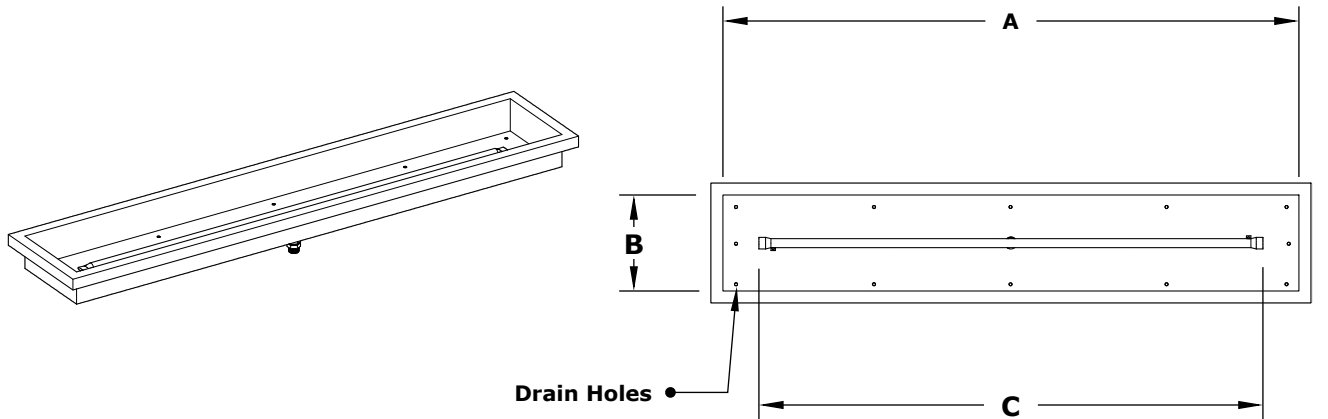
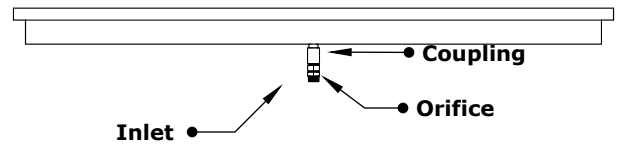
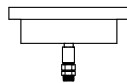


# RAISED LIP RECTANGULAR DROP IN PAN & SS LINEAR BURNER MATCH LIT IGNITION



**ISOMETRIC VIEW**

**TOP VIEW**



**RIGHT SIDE VIEW**

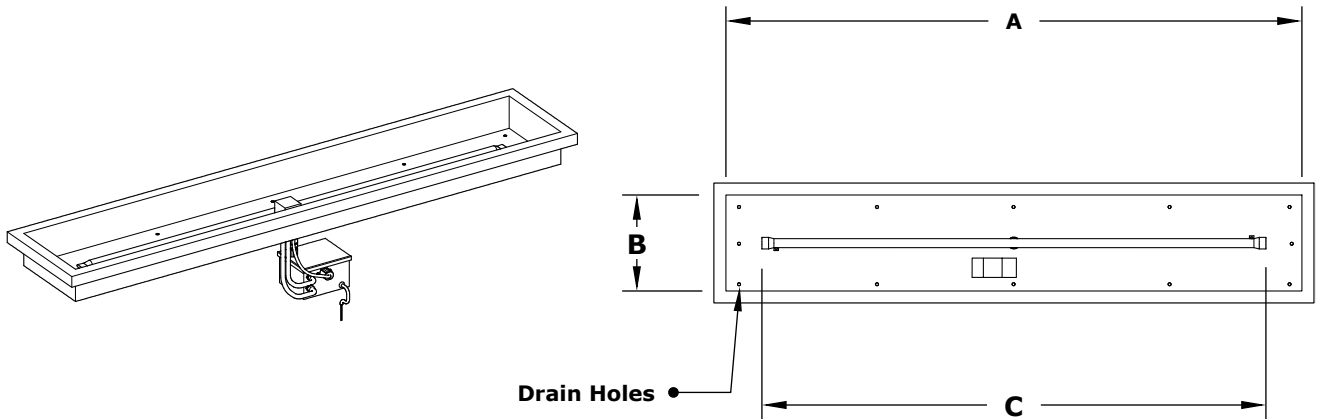
**FRONT SIDE VIEW**

SKU	A	B	C	INLET	BTU
OPT-RLRCT248	24"	8"	18"	1/2"	30,000
OPT-RLRCT308	30"	8"	24"	1/2"	40,000
OPT-RLRCT368	36"	8"	30"	1/2"	50,000
OPT-RLRCT428	42"	8"	36"	1/2"	60,000
OPT-RLRCT488	48"	8"	42"	1/2"	70,000
OPT-RLRCT608	60"	8"	48"	1/2"	80,000
OPT-RLRCT728	72"	8"	60"	1/2"	100,000
OPT-RLRCT848	84"	8"	72"	3/4"	120,000
OPT-RLRCT968	96"	8"	84"	3/4"	140,000

Pan Material: Aluminum  
 Burner Material: Stainless Steel  
 Ignition Type: Match Lit

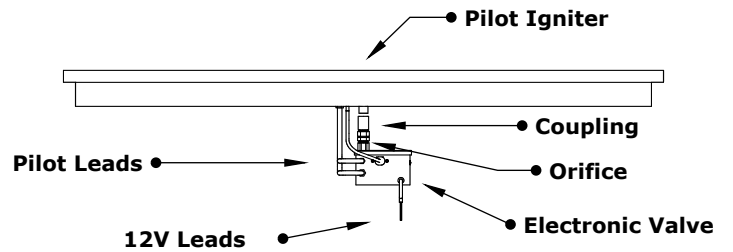
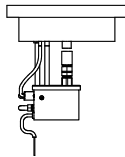
Includes: Pan, Burner, Electronic Valve.

# RAISED LIP RECTANGULAR DROP IN PAN & SS LINEAR BURNER 12V ELECTRONIC IGNITION



**ISOMETRIC VIEW**

**TOP VIEW**



**RIGHT SIDE VIEW**

**FRONT SIDE VIEW**

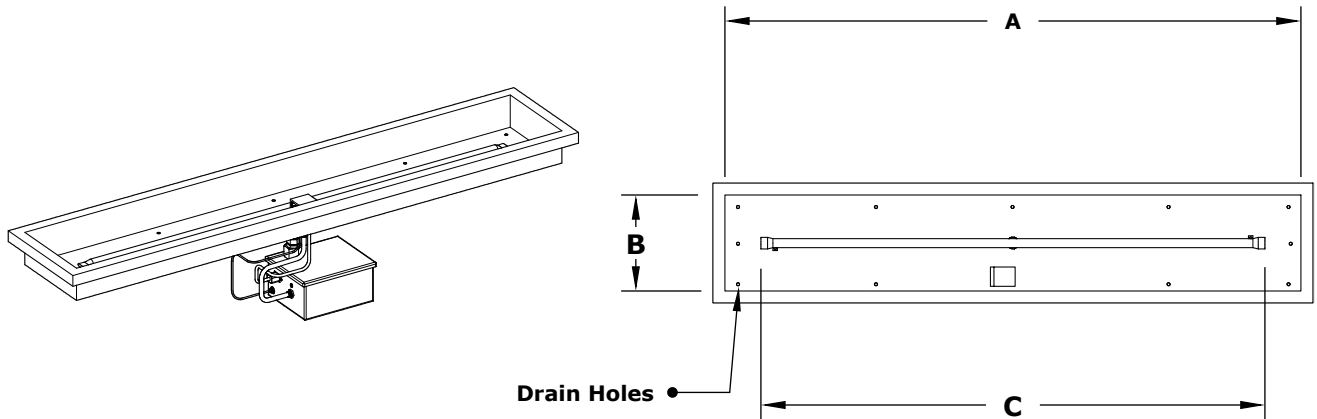
SKU	A	B	C	INLET	BTU
OPT-RLRCT248E12	24"	8"	18"	1/2"	30,000
OPT-RLRCT308E12	30"	8"	24"	1/2"	40,000
OPT-RLRCT368E12	36"	8"	30"	1/2"	50,000
OPT-RLRCT428E12	42"	8"	36"	1/2"	60,000
OPT-RLRCT488E12	48"	8"	42"	1/2"	70,000
OPT-RLRCT608E12	60"	8"	48"	1/2"	80,000
OPT-RLRCT728E12	72"	8"	60"	1/2"	100,000
OPT-RLRCT848E12	84"	8"	72"	3/4"	120,000
OPT-RLRCT968E12	96"	8"	84"	3/4"	140,000

Pan Material: Aluminum  
 Burner Material: Stainless Steel  
 Ignition Type: 12V Electronic Ignition  
 (12V Transformer Included)

 **12V ELECTRONIC IGNITION**  
 ANSI Z21.97-(2017) / CSA 2.41-(2017)

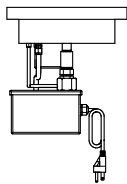
Includes: Pan, Burner, Electronic Valve,  
 Pilot Igniter, 12V Transformer.

# RAISED LIP RECTANGULAR DROP IN PAN & SS LINEAR BURNER 110V ELECTRONIC IGNITION

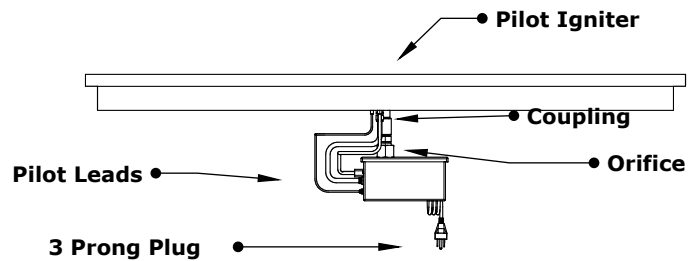


**ISOMETRIC VIEW**

**TOP VIEW**



**RIGHT SIDE VIEW**



**FRONT SIDE VIEW**

SKU	A	B	C	INLET	BTU
OPT-RLRCT248E110	24"	8"	18"	1/2"	30,000
OPT-RLRCT308E110	30"	8"	24"	1/2"	40,000
OPT-RLRCT368E110	36"	8"	30"	1/2"	50,000
OPT-RLRCT428E110	42"	8"	36"	1/2"	60,000
OPT-RLRCT488E110	48"	8"	42"	1/2"	70,000
OPT-RLRCT608E110	60"	8"	48"	1/2"	80,000
OPT-RLRCT728E110	72"	8"	60"	1/2"	100,000
OPT-RLRCT848E110	84"	8"	72"	3/4"	120,000
OPT-RLRCT968E110	96"	8"	84"	3/4"	140,000

Pan Material: Aluminum  
 Burner Material: Stainless Steel  
 Ignition Type: 110V Electronic Ignition  
 (110V Transformer Included)

 **110V ELECTRONIC IGNITION**  
 ANSI Z21.97-(2017) / CSA 2.41-(2017)

Includes: Pan, Burner, Electronic Valve,  
 Pilot Igniter, 110V Transformer.