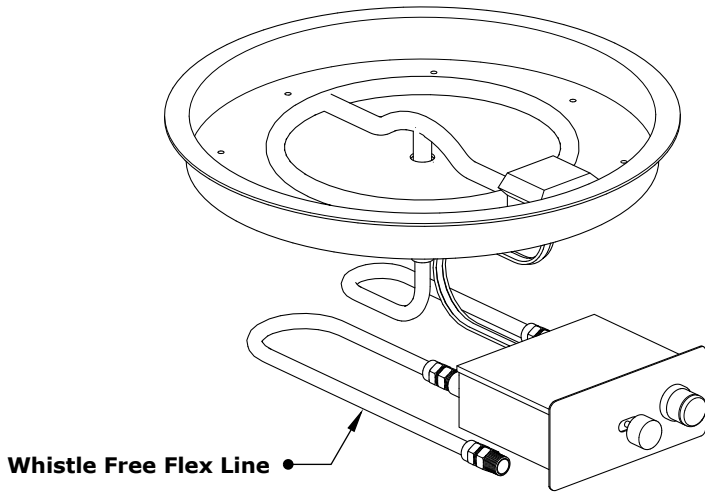
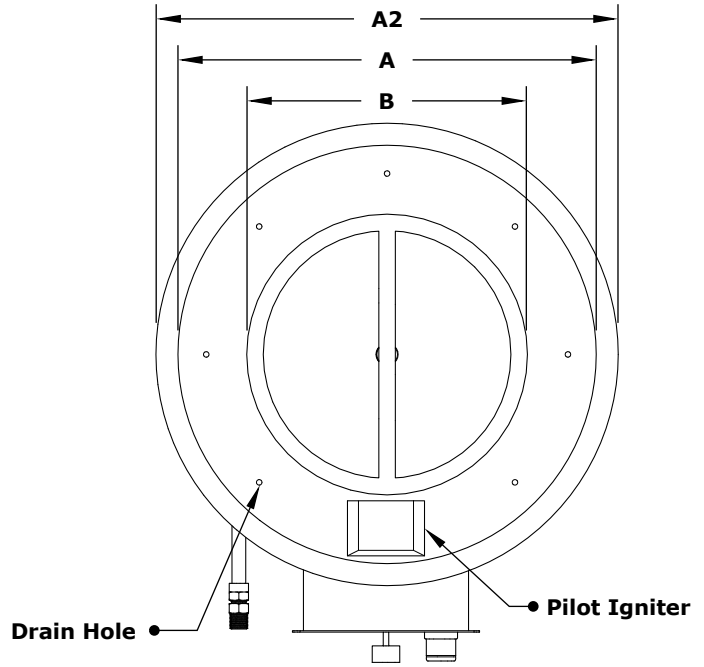


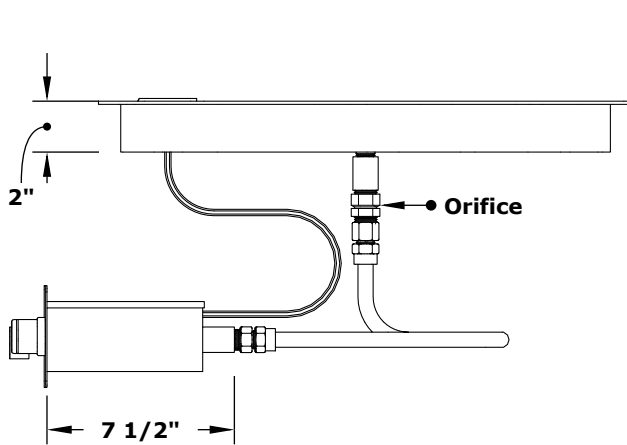
ROUND DROP IN PAN & ROUND BURNERS FLAME SENSE SPARK IGNITION



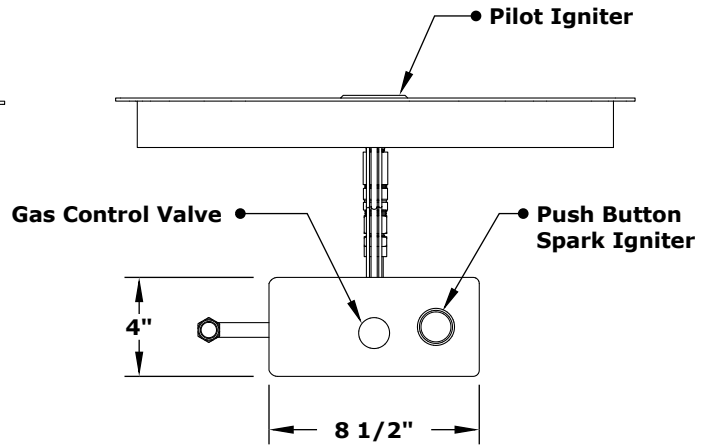
ISOMETRIC VIEW



TOP VIEW



RIGHT SIDE VIEW



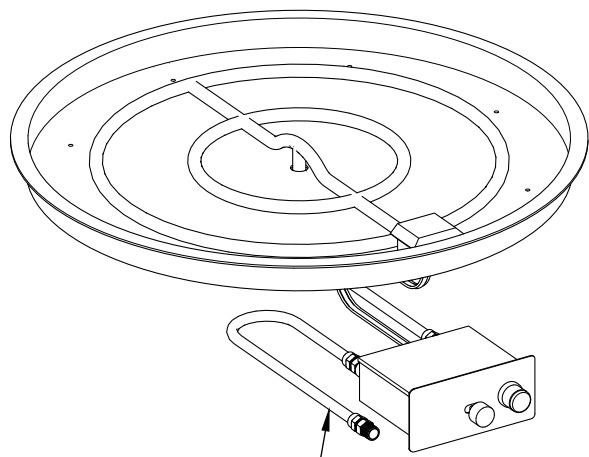
FRONT SIDE VIEW

SKU	A	A2	B	RINGS	INLET	BTU
OPT-PBR13FSEN	13"	15"	6"	Single	1/2"	45,000
OPT-PBR19FSEN	19"	21"	12"	Single	1/2"	65,000

Pan Material: 304 Stainless Steel
Burner Material: 304 Stainless Steel
Ignition Type: Flame Sense Spark Ignition

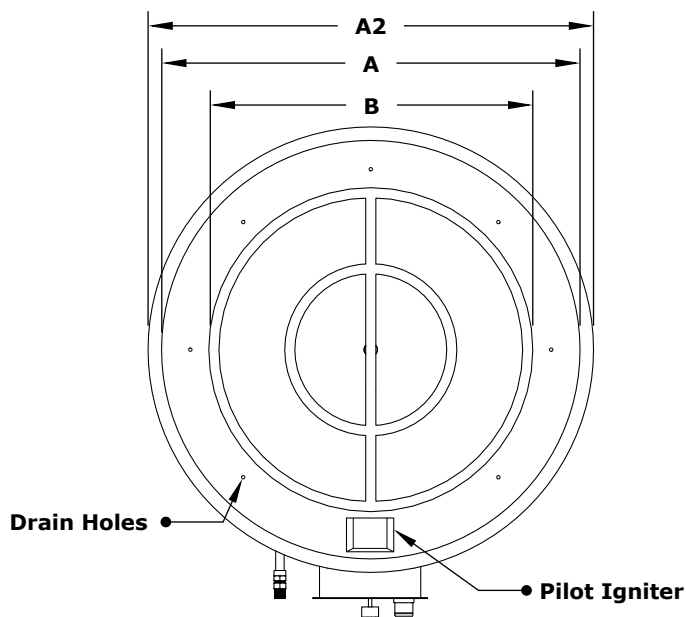
Includes: Pan, Burner, Flame Sense Spark Ignition Control Box, Spark Igniter Pilot, Whistle Free Flex Line (2x), Gas Orifice

ROUND DROP IN PAN & ROUND BURNERS FLAME SENSE SPARK IGNITION

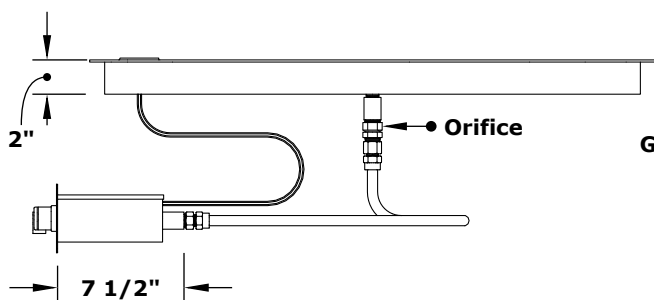


Whistle Free Flex Line

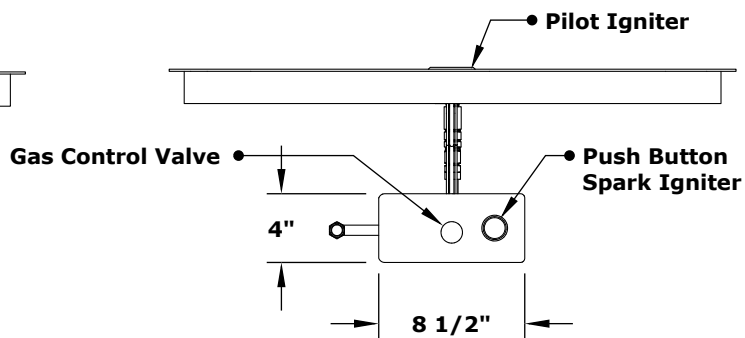
ISOMETRIC VIEW



TOP VIEW



RIGHT SIDE VIEW



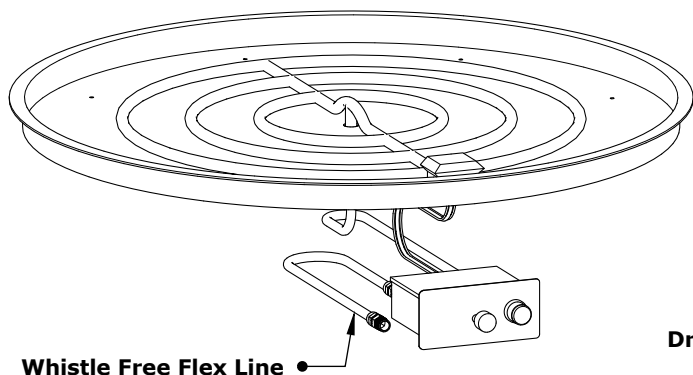
FRONT SIDE VIEW

SKU	A	A2	B	RINGS	INLET	BTU
OPT-PBR25FSEN	25"	27"	18"	Double	1/2"	160,000
OPT-PBR31FSEN	31"	33"	24"	Double	1/2"	190,000

Pan Material: 304 Stainless Steel
 Burner Material: 304 Stainless Steel
 Ignition Type: Flame Sense Spark Ignition

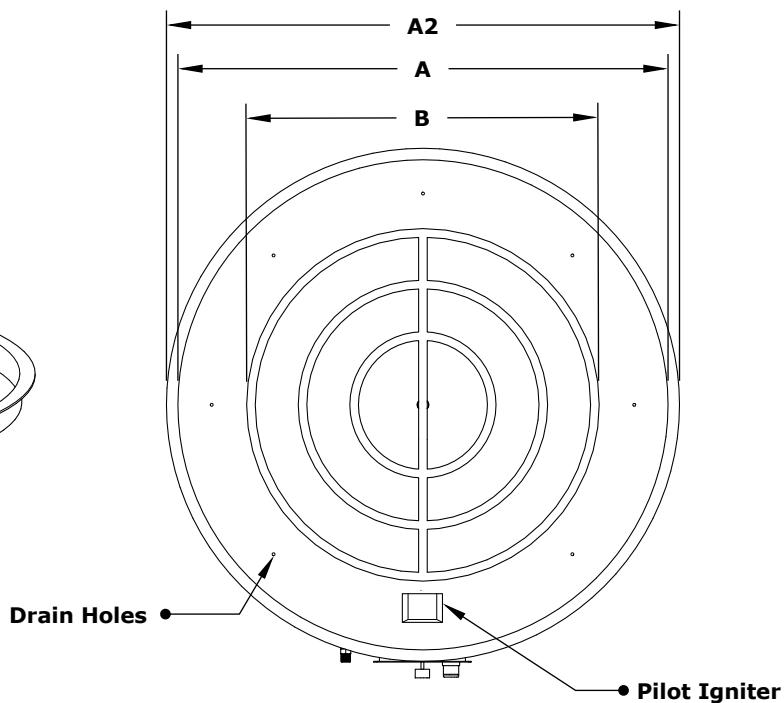
Includes: Pan, Burner, Flame Sense Spark Ignition Control Box, Spark Igniter Pilot, Whistle Free Flex Line (2x), Gas Orifice

ROUND DROP IN PAN & ROUND BURNERS FLAME SENSE SPARK IGNITION

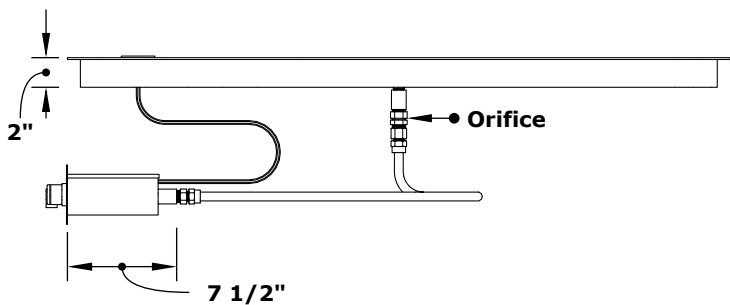


Whistle Free Flex Line

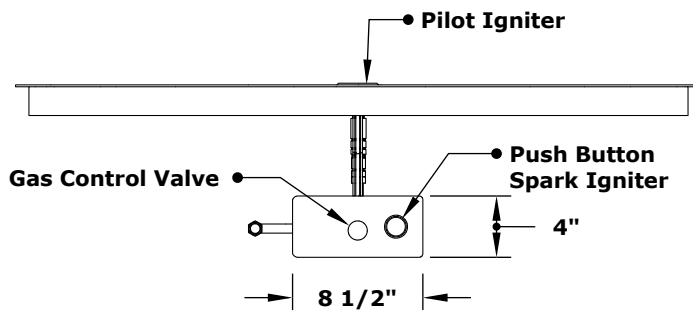
ISOMETRIC VIEW



TOP VIEW



RIGHT SIDE VIEW



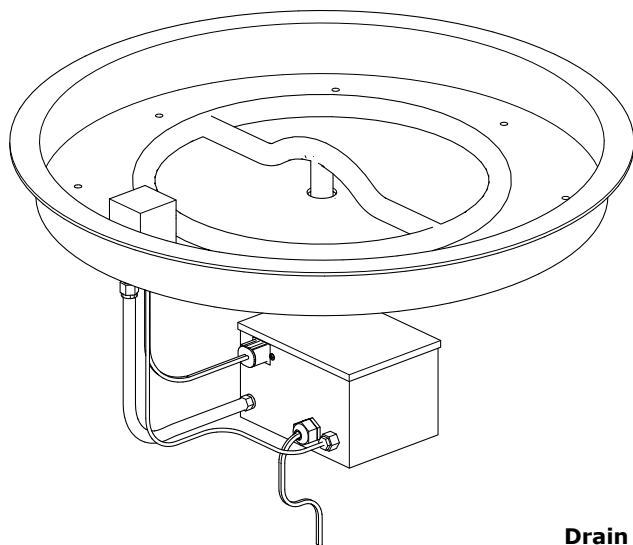
FRONT SIDE VIEW

SKU	A	A2	B	RINGS	INLET	BTU
OPT-PBR37FSEN	37"	39"	30"	Triple	3/4"	330,000
OPT-PBR43FSEN	43"	45"	36"	Triple	3/4"	380,000

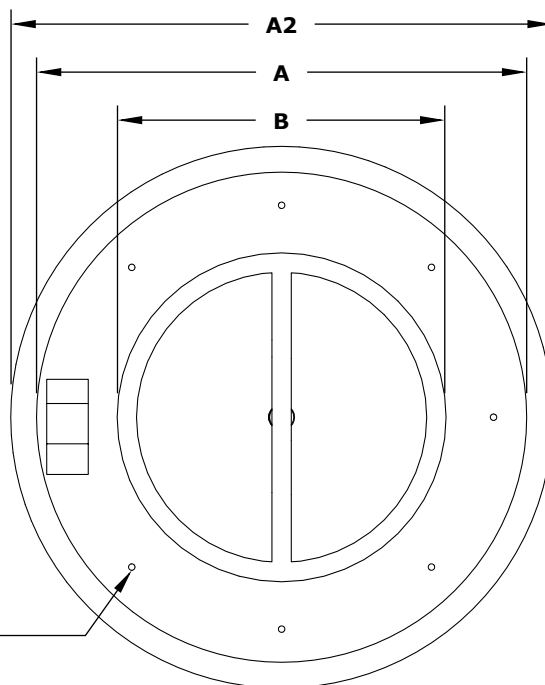
Pan Material: 304 Stainless Steel
 Burner Material: 304 Stainless Steel
 Ignition Type: Flame Sense Spark Ignition

Includes: Pan, Burner, Flame Sense Spark Ignition Control Box, Spark Igniter Pilot, Whistle Free Flex Line (2x), Gas Orifice

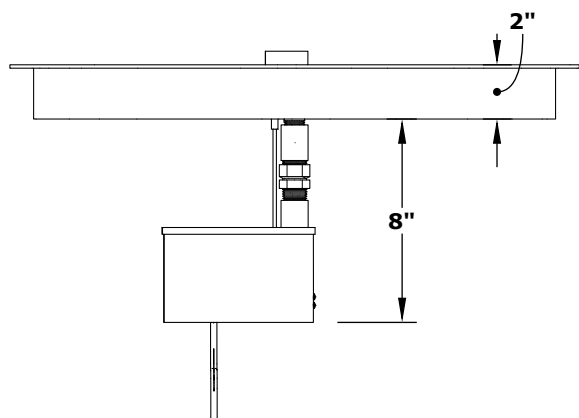
ROUND DROP IN PAN & ROUND BURNERS 12V ELECTRONIC IGNITION



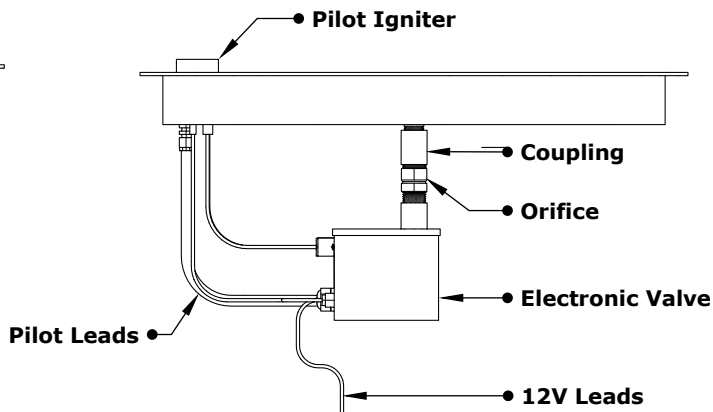
ISOMETRIC VIEW



TOP VIEW



RIGHT SIDE VIEW



FRONT SIDE VIEW

SKU	A	A2	B	RINGS	INLET	BTU
OPT-PBR13E12	13"	15"	6"	Single	1/2"	45,000
OPT-PBR19E12	19"	21"	12"	Single	1/2"	65,000

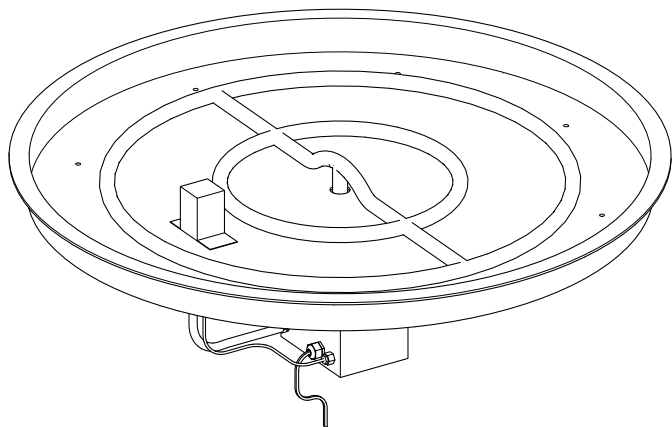
Includes: Pan, Burner, Electronic Valve, Pilot Igniter. 12V Transformer.

Pan Material: 304 Stainless Steel
Burner Material: 304 Stainless Steel
Ignition Type: 12V Electronic Ignition
(12V Transformer Included)

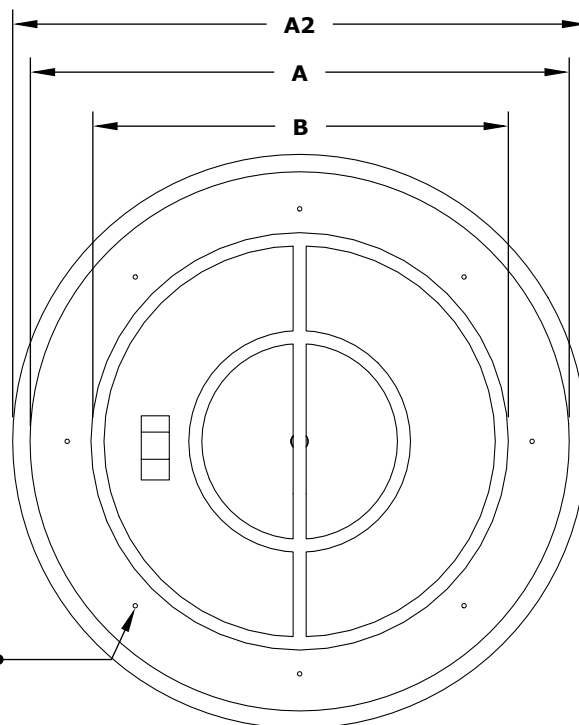
12V ELECTRONIC IGNITION
ANSI Z21.97-(2017) / CSA 2.41-(2017)



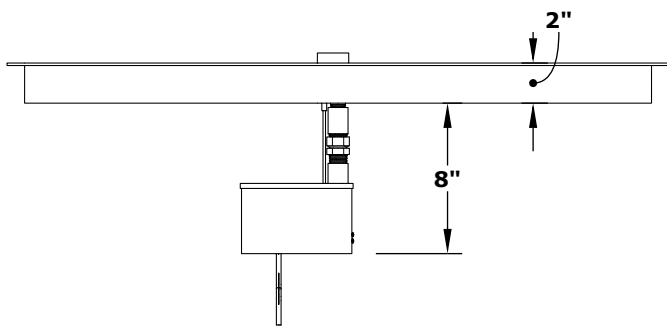
ROUND FLAT PAN & ROUND BURNERS 12V ELECTRONIC IGNITION



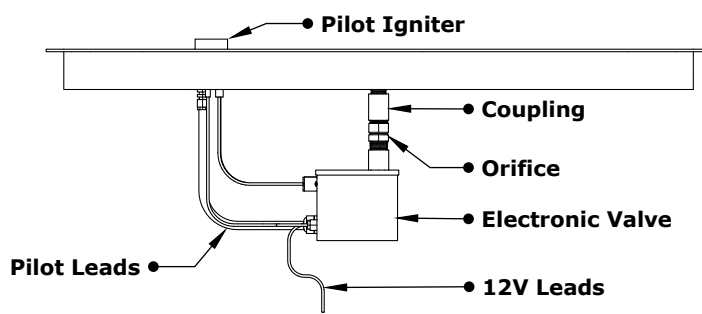
ISOMETRIC VIEW



TOP VIEW



RIGHT SIDE VIEW



FRONT SIDE VIEW

SKU	A	A2	B	RINGS	INLET	BTU
OPT-PBR25E12	25"	27"	18"	Double	1/2"	160,000
OPT-PBR31E12	31"	33"	24"	Double	1/2"	190,000

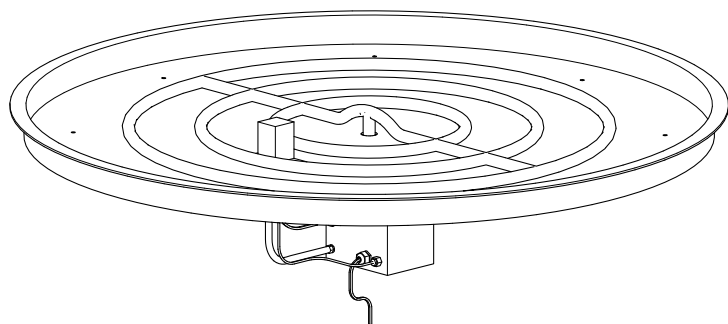
Includes: Pan, Burner, Electronic Valve, Pilot Igniter. 12V Transformer.

Pan Material: 304 Stainless Steel
 Burner Material: 304 Stainless Steel
 Ignition Type: 12V Electronic Ignition
 (12V Transformer Included)

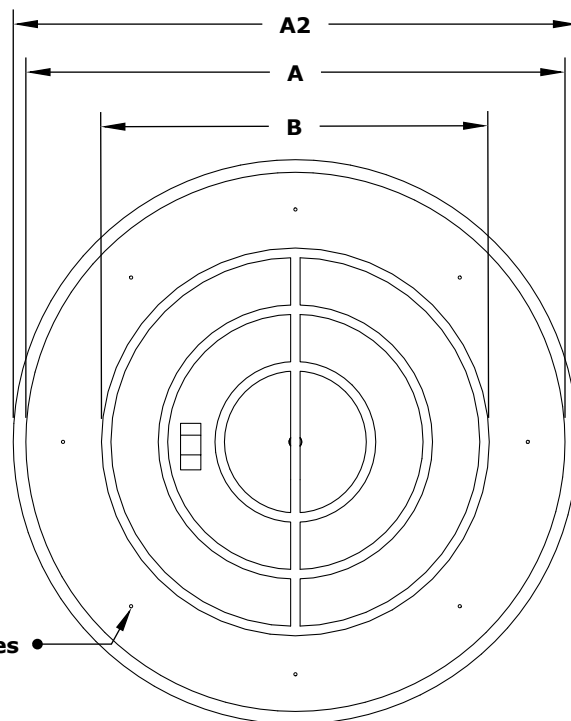
12V ELECTRONIC IGNITION
 ANSI Z21.97-(2017) / CSA 2.41-(2017)



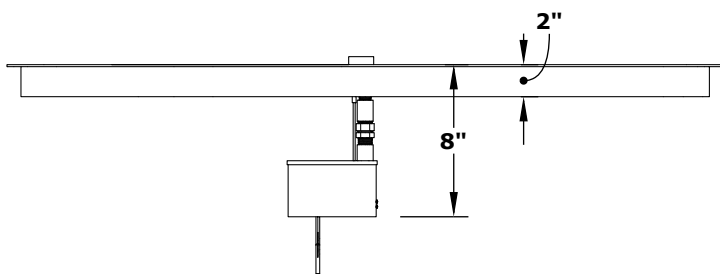
ROUND FLAT PAN & ROUND BURNERS 12V ELECTRONIC IGNITION



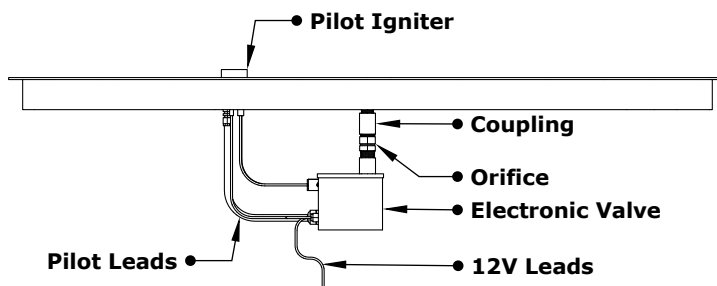
ISOMETRIC VIEW



TOP VIEW



RIGHT SIDE VIEW



FRONT SIDE VIEW

SKU	A	A2	B	RINGS	INLET	BTU
OPT-PBR37E12	37"	39"	30"	Triple	3/4"	330,000
OPT-PBR43E12	43"	45"	36"	Triple	3/4"	380,000

Includes: Pan, Burner, Electronic Valve, Pilot Igniter. 12V Transformer.

Pan Material: 304 Stainless Steel
Burner Material: 304 Stainless Steel
Ignition Type: 12V Electronic Ignition
(12V Transformer Included)

12V ELECTRONIC IGNITION
ANSI Z21.97-(2017) / CSA 2.41-(2017)