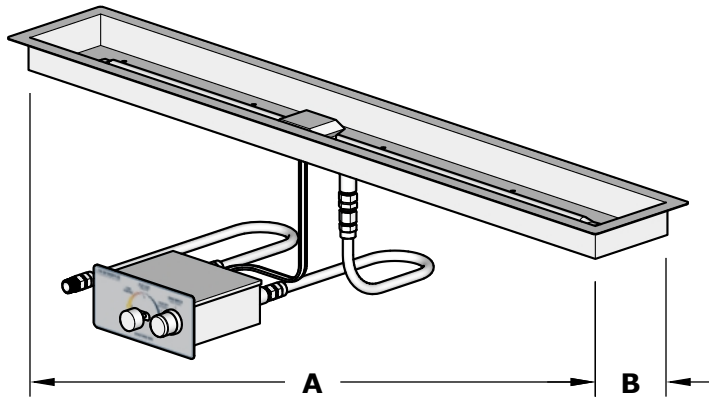
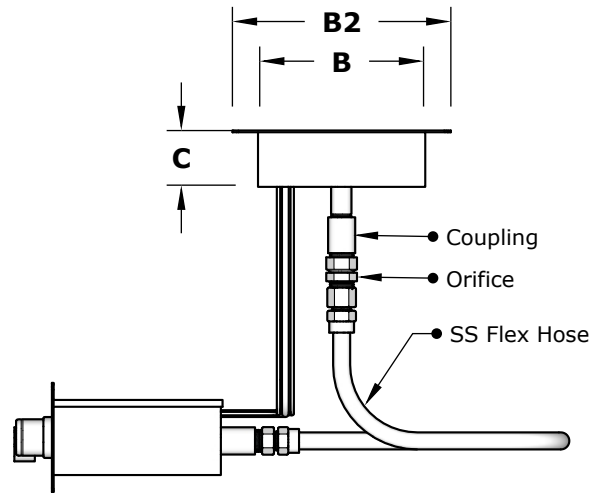


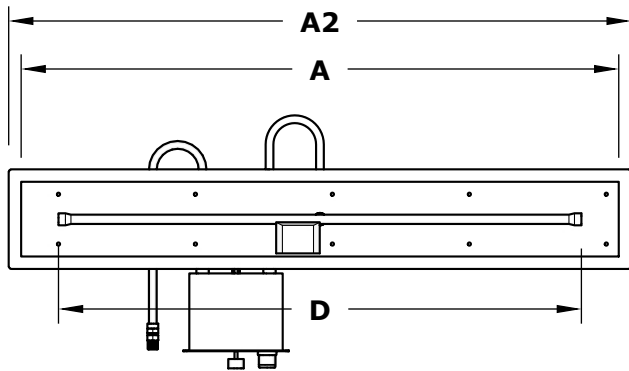
SS DROP IN PAN & SS LINEAR BURNER FLAME SENSE WITH PUSH BUTTON IGNITION



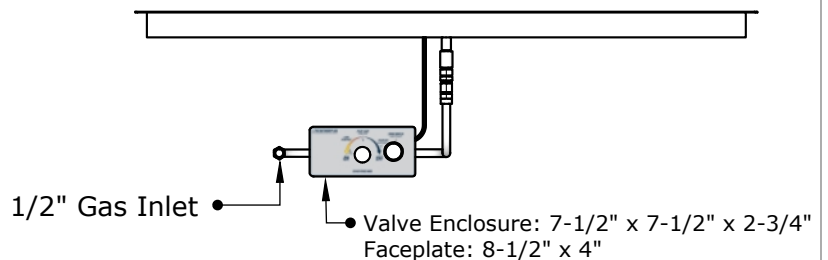
ISOMETRIC VIEW



RIGHT SIDE VIEW



TOP VIEW



FRONT SIDE VIEW

SKU	A	A2	B	B2	C	D	E	BTU
OPT-RT24FSEN	24"	26"	6"	8"	2"	18"	10"	30,000
OPT-RT30FSEN	30"	32"	6"	8"	2"	24"	10"	35,000
OPT-RT36FSEN	36"	38"	6"	8"	2"	30"	10"	50,000
OPT-RT42FSEN	42"	44"	6"	8"	2"	36"	10"	65,000
OPT-RT48FSEN	48"	50"	6"	8"	2"	42"	10"	80,000
OPT-RT60FSEN	60"	62"	6"	8"	2"	48"	10"	100,000
OPT-RT72FSEN	72"	74"	6"	8"	2"	60"	10"	125,000
OPT-RT84FSEN	84"	86"	6"	8"	2"	72"	10"	130,000
OPT-RT96FSEN	96"	98"	6"	8"	2"	84"	10"	150,000

Pan Material: 304 Stainless Steel
Burner Material: 304 Stainless Steel
Ignition Type: Flame Sense Ignition

Standard 1" Flange on all pans
Standard 2" Depth on all pans

Includes: Pan, Burner, Flame Sense Control Panel with Pilot, Gas Lines