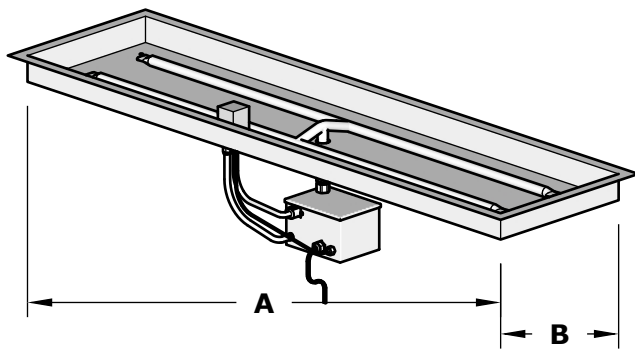
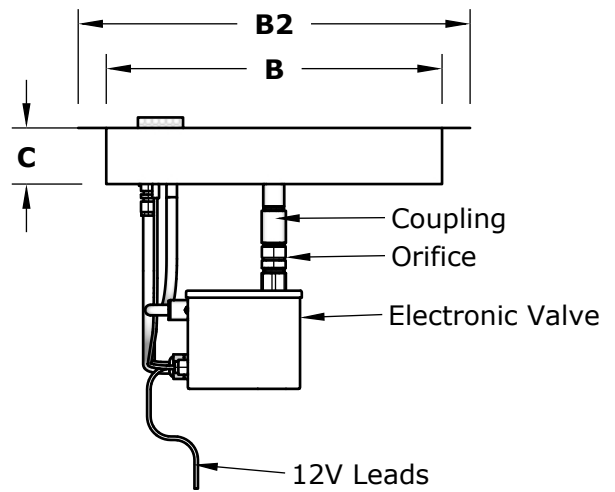


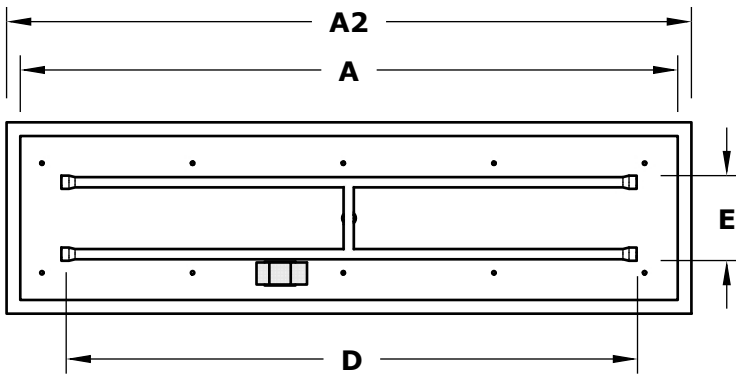
# SS DROP IN PAN & SS 'H' BURNER 12V IGNITION



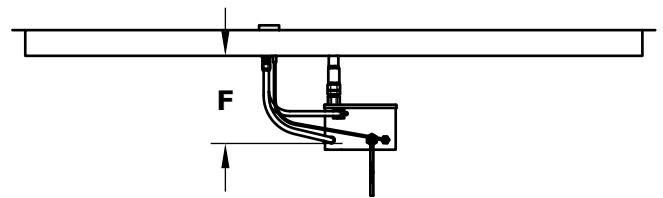
**ISOMETRIC VIEW**



**RIGHT SIDE VIEW**



**TOP VIEW**



**FRONT SIDE VIEW**

SKU	A	A2	B	B2	C	D	E	F	BTU
OPT-PB1224E12	24"	26"	12"	14"	2"	18"	6"	10"	60,000
OPT-PB1230E12	30"	32"	12"	14"	2"	24"	6"	10"	80,000
OPT-PB1236E12	36"	38"	12"	14"	2"	30"	6"	10"	100,000
OPT-PB1242E12	42"	44"	12"	14"	2"	36"	6"	10"	120,000
OPT-PB1248E12	48"	50"	12"	14"	2"	42"	6"	10"	140,000
OPT-PB1260E12	60"	62"	12"	14"	2"	48"	6"	10"	160,000
OPT-PB1272E12	72"	74"	12"	14"	2"	60"	6"	10"	200,000
OPT-PB1284E12	84"	86"	12"	14"	2"	72"	6"	10"	240,000
OPT-PB1436E12	36"	38"	14"	38"	2"	30"	6"	10"	60,000
OPT-PB1442E12	42"	44"	14"	44"	2"	36"	6"	10"	120,000
OPT-PB1654E12	54"	56"	16"	56"	2"	48"	6"	10"	160,000

Pan Material: 304 Stainless Steel  
Burner Material: 304 Stainless Steel  
Ignition Type: 12V Electronic Ignition  
(12V Transformer Included)

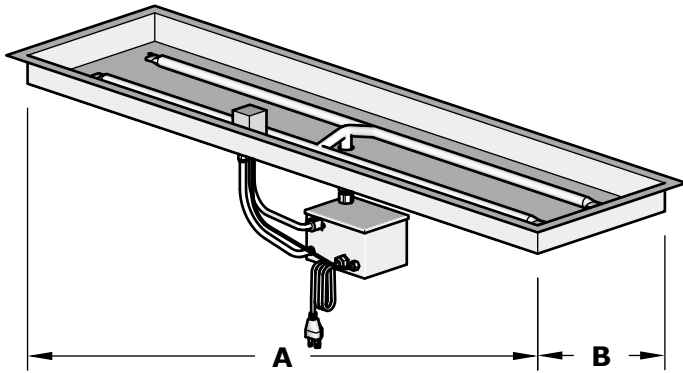
Standard 1" Flange on all pans  
Standard 2" Depth on all pans

**12V ELECTRONIC IGNITION**  
ANSI Z21.97-(2017) / CSA 2.41-(2017)

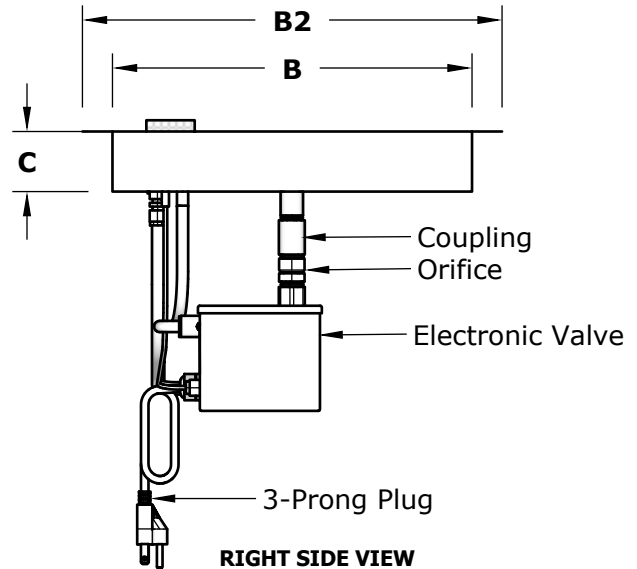


Includes: Pan, Burner, Electronic Valve, Pilot Igniter. 12V Transformer.

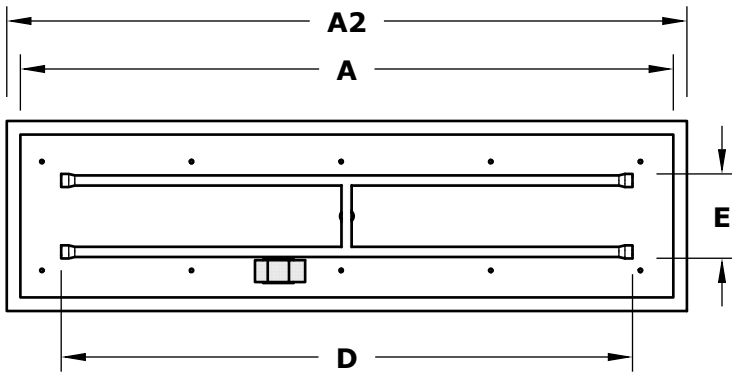
# SS DROP IN PAN & SS 'H' BURNER 110V IGNITION



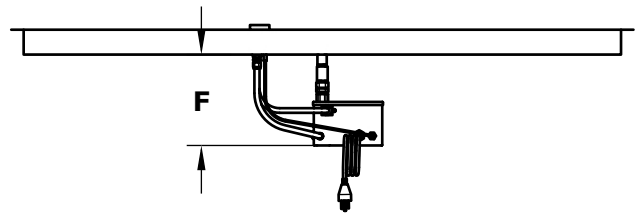
**ISOMETRIC VIEW**



**RIGHT SIDE VIEW**



**TOP VIEW**



**FRONT SIDE VIEW**

SKU	A	A2	B	B2	C	D	E	F	BTU
OPT-PB1224E110	24"	26"	12"	14"	2"	18"	6"	10"	60,000
OPT-PB1230E110	30"	32"	12"	14"	2"	24"	6"	10"	80,000
OPT-PB1236E110	36"	38"	12"	14"	2"	30"	6"	10"	100,000
OPT-PB1242E110	42"	44"	12"	14"	2"	36"	6"	10"	120,000
OPT-PB1248E110	48"	50"	12"	14"	2"	42"	6"	10"	140,000
OPT-PB1260E110	60"	62"	12"	14"	2"	48"	6"	10"	160,000
OPT-PB1272E110	72"	74"	12"	14"	2"	60"	6"	10"	200,000
OPT-PB1284E110	84"	86"	12"	14"	2"	72"	6"	10"	240,000
OPT-PB1436E110	36"	38"	14"	38"	2"	30"	6"	10"	60,000
OPT-PB1442E110	42"	44"	14"	44"	2"	36"	6"	10"	120,000
OPT-PB1654E110	54"	56"	16"	56"	2"	48"	6"	10"	160,000

Pan Material: 304 Stainless Steel  
Burner Material: 304 Stainless Steel  
Ignition Type: 110V Electronic Ignition

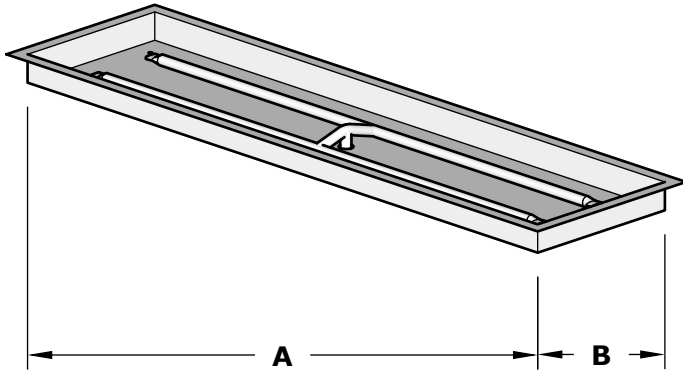
Standard 1" Flange on all pans  
Standard 2" Depth on all pans

**110V ELECTRONIC IGNITION**  
ANSI Z21.97-(2017) / CSA 2.41-(2017)

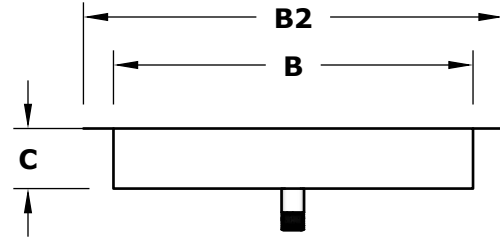


Includes: Pan, Burner, Electronic Valve, Pilot Igniter

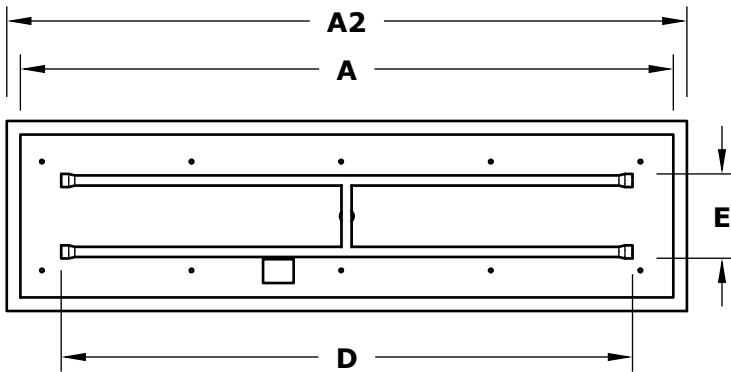
# SS DROP IN PAN & SS 'H' BURNER MATCH LIT IGNITION



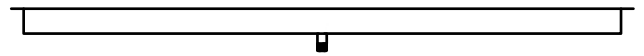
**ISOMETRIC VIEW**



**RIGHT SIDE VIEW**



**TOP VIEW**



**FRONT SIDE VIEW**

SKU	A	A2	B	B2	C	D	BTU
OPT-PB1224	24"	26"	12"	14"	2"	18"	60,000
OPT-PB1230	30"	32"	12"	14"	2"	24"	80,000
OPT-PB1236	36"	38"	12"	14"	2"	30"	100,000
OPT-PB1242	42"	44"	12"	14"	2"	36"	120,000
OPT-PB1248	48"	50"	12"	14"	2"	42"	140,000
OPT-PB1260	60"	62"	12"	14"	2"	48"	160,000
OPT-PB1272	72"	74"	12"	14"	2"	60"	200,000
OPT-PB1284	84"	86"	12"	14"	2"	72"	240,000
OPT-PB1436	36"	38"	14"	38"	2"	30"	60,000
OPT-PB1442	42"	44"	14"	44"	2"	36"	120,000
OPT-PB1654	54"	56"	16"	56"	2"	48"	160,000

Pan Material: 304 Stainless Steel  
Burner Material: 304 Stainless Steel  
Ignition Type: Match Lit Ignition

Standard 1" Flange on all pans  
Standard 2" Depth on all pans

Includes: Pan, Burner. (NG or LP kits are sold separately)