

# SIDELINE® OUTDOOR/INDOOR ELECTRIC FIREPLACE

Model # : 80017

## OWNER'S MANUAL



### Sideline® Outdoor/Indoor 50” Recessed Electric Fireplace

AC 110-120V 60Hz 1500W

#### WARNING

Read and understand this entire owner's manual, including **all safety information**, before **plugging in** or **using** this product. Failure to do so could result in **fire, electric shock, or serious personal injury**.

#### CAUTION

Keep this owner's manual for future reference. If you sell or give this product away, **make sure this manual accompanies this product**.



**PREMIUM  
ELECTRIC FIREPLACES  
& TV LIFTS**

Exceeding Expectations





## Table of Contents

### Table of Contents

General Information.....	5
<i>CSA Approval Listing Information</i> .....	5
<i>Fireplace Specifications</i> .....	5
<i>Serial Number Label</i> .....	5
<i>Dimensional Drawings</i> .....	6
80017 – Sideline® Outdoor/Indoor 50” Dimensions .....	6
Unpacking Your Fireplace.....	7
<i>Parts and Hardware</i> .....	7
<i>Unpacking and Setup</i> .....	7
<i>Wiring</i> .....	8
<i>Hard Wire Connection</i> .....	9
Installation.....	10
<i>Choosing Installation Location</i> .....	10
<i>Removing The Front Panel</i> .....	11
<i>Recessed Installation</i> .....	13
<i>Wall Mounted Installation</i> .....	15
<i>Installing the Crystal Embers and Drift Wood Logs</i> .....	18
Installing the Crystal Embers.....	18
Installing the Drift Wood Logs.....	18
<i>Reinstalling The Front Panel</i> .....	19
Operating Fireplace.....	21
<i>Power</i> .....	21
<i>Methods of Operation</i> .....	21
Control Panel and Remote Control Functions .....	21
<i>Remote Control Operation</i> .....	22
Care and Maintenance.....	22
<i>Cleaning</i> .....	22
<i>Maintenance</i> .....	22
Warranty .....	23
<i>Touchstone Home Products Limited Warranty</i> .....	23
<i>Conditions and Limitations</i> .....	23

## IMPORTANT SAFETY INFORMATION WARNING!

- Do not operate fireplace before reading and understanding operating instructions. Failure to operate fireplace according to operating instructions could cause fire or injury.
- Do not install damaged, incomplete, or substitute components.
- Young children should be carefully supervised when they are in same room with fireplace. Toddlers, young children and others may be susceptible to accidental contact burns. A physical barrier is recommended if there are at risk individuals in the house. To restrict access to the fireplace, install an adjustable safety gate to keep toddlers, young children and other at-risk individuals away from the fireplace and hot surfaces.
- Clothing and other flammable material should not be placed on or near the fireplace.
- Ensure that you have incorporated adequate safety measures to protect infants/toddlers.
- It is imperative that that the control compartments are kept clean.
- Under no circumstances should this fireplace be modified.
- Do not operate the fireplace with the glass panel removed, cracked or broken.
- Keep the packaging material out of the reach of children. As with all plastic bags, these are not toys and should be kept away from children and infants.
- Servicing should only be done while the fireplace is disconnected from the power outlet.
- Unplug fireplace if not being used for an extended period of time.
- Do not operate this fireplace with a damaged cord or plug after the fireplace malfunctions, has been dropped, or damaged in any manner.
- Always plug this fireplace into a wall outlet or receptacle. Never plug this fireplace into a surge protector, extension cord, or relocatable power tap.
- Never locate fireplace where it may fall into a bathtub or other water container.
- Do not run the cord under carpeting. Do not cover cord with throw rugs, runners, or the like. Arrange cord away from traffic area and where it will not be tripped over.
- Connect to properly grounded outlets only.
- Do not insert foreign objects into any ventilation or exhaust opening as this may cause and electric shock, fire, or damage to the fireplace.
- To prevent a possible fire, do not block the air intakes or exhaust in any manner. Do not use on soft surfaces, like a carpet, where openings may be blocked.

## General Information

### CSA Approval Listing Information

This fireplace has been tested in accordance with the CSA Standards for fixed and location-dedicated electric room appliances in the United States and Canada. If you need assistance during installation, please contact our technical support department at 800-215-1990.

**Note: This fireplace must be electrically wired and grounded in accordance with local codes or, in the absence of local codes, with National Electric Code ANSI/NFPA 70-latest edition in the United States or the Canadian Electric Code, CSA C22.1 in Canada.**

### Fireplace Specifications

<b>Model Number</b>	<b>80017</b>
<b>Description</b>	Sideline® Outdoor/Indoor 50"
<b>Voltage</b>	120v AC
<b>Watts</b>	Max 1500W
<b>Amps</b>	15 AMP
<b>Fireplace Width</b>	50
<b>Fireplace Height</b>	17 ½"
<b>Fireplace Depth</b>	5 ¾"
<b>Shipping Weight</b>	55 lbs
<b>Fireplace Weight</b>	44 lbs

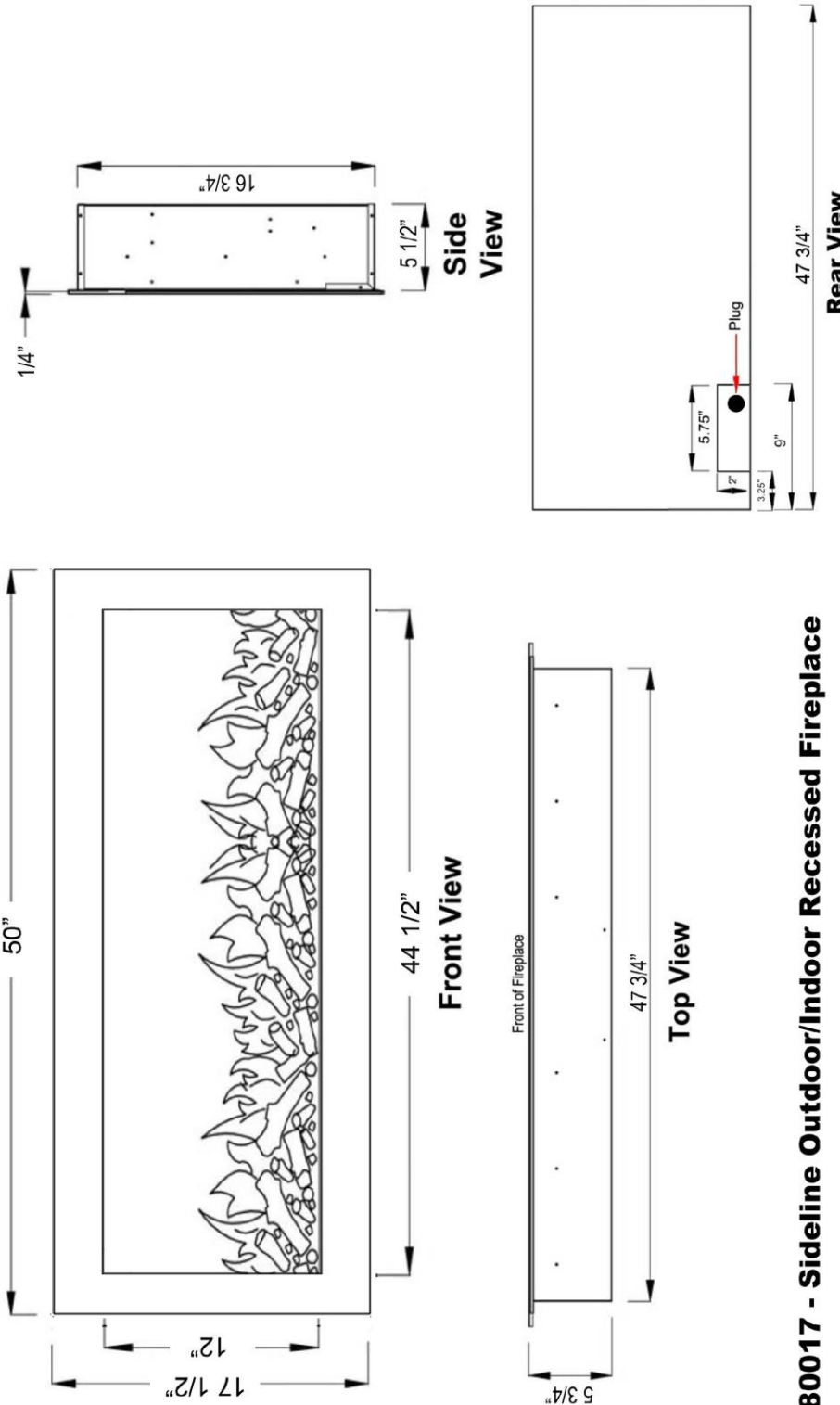
### Serial Number Label

Each Touchstone Home Products Electric Fireplace contains a serial number label on the shipping box. Please remove the shipping label and place the label on the back page of this manual for future reference.



## Dimensional Drawings

### 80017 – Sideline® Outdoor/Indoor 50” Dimensions



**80017 - Sideline Outdoor/Indoor Recessed Fireplace**  
 Sideline Outdoor/Indoor Recessed Fireplace  
 PN: 80017

- Features**
- Weather-proof case designed for outdoor use
  - Designed for recessed mounting in wall
  - Remote control for flame setting (batteries not included)
  - 3 flame color settings (Orange, Blue, Blue/Orange)
  - Built in timer mode for shut off in 30 minutes to 7.5 hours.
  - Faux Fire Log and Glass Crystal Media Options
- Specifications**
- Frame color: Black
  - Voltage: 110v-120v
  - Amperes: 1
  - Rough Opening: 48 1/4" W x 17 1/4" H x 6" D





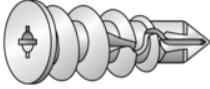



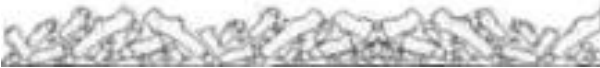
# Unpacking Your Fireplace

## Parts and Hardware

### Tools Required

- Phillips screwdriver
- Stud finder
- Level
- Tape measure
- Electric drill
- 1/4” wood drill bit

### What's in the Box

 <p>Sideline Outdoor/Indoor Fireplace</p>	 <p>Wood Screws</p>	 <p>Drywall anchors</p>
 <p>Wall Mount Bracket (attached to back of fireplace)</p>	 <p>Remote Control</p>	 <p>Plastic Tray</p>
 <p>Faux Fire Log</p>		

## Unpacking and Setup

### Unpacking Instructions

- Remove all parts and hardware from the carton and place them on a clean, soft, dry surface. Check the parts list to make sure no parts are missing. If parts are missing, please contact technical support at 800-215-1990 for replacement parts.

**NOTE:** *Dispose of plastic bag, as it may cause choking hazard with young children. Do not let children play with plastic bag.*

## Wiring

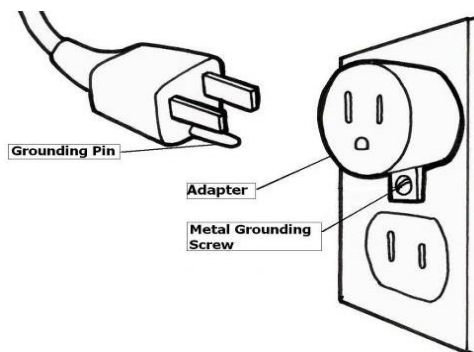
The Sideline® Outdoor/Indoor recessed fireplace can either be plugged into a grounded 3-prong outlet or hard wire connection.

### Testing the Fireplace Prior to Installation

- Before installing the fireplace, test the fireplace to make sure that it operates properly.
- Plug fireplace into approved outlet and power on fireplace. Once fireplace is tested, continue with installation.
- If you have any problems, please contact technical support at 800-215-1990 opt 2.

### 3-prong Outlet Installation

- Only use this fireplace on a 120V AC, 15-Amp grounded circuit. Never overload the circuit. If this fireplace trips the circuit breaker, unplug all other appliances on the same circuit before the next use. Avoid plugging other appliances into the same circuit as this fireplace.
- Always check the fireplace plug and connections before each use.
- Never plug this fireplace into an outlet that is cracked or has any loose wires or connections. Plugging this fireplace into a faulty outlet could result in the outlet overheating or catching fire.
- Always plug this fireplace into a wall outlet or receptacle. Never plug this fireplace into a surge protector, extension cord, or relocatable power tap.
- Make sure this plug fits securely into the outlet. Faulty wall outlet connections or loose plugs can cause the outlet to overheat. If the outlet or faceplate is hot, discontinue use immediately and have a qualified electrician inspect and/or replace the faulty outlet.
- The power cord supplied with the fireplace has three prongs: two flat blades (live and neutral) and one round pin (ground). If a 3-slot receptacle is not available, an adapter **MUST** be used. The adapter **MUST** be properly grounded to the outlet box (see figure below).



**NOTE: Adapter NOT INCLUDED.**



## Hard Wire Connection

If it is necessary to hard wire this appliance, a qualified electrician must remove the cord connection, and wire the appliance directly to the house hold wiring.

This appliance must be electrically connected and grounded in accordance with local codes, if hard wired. In the absence of local codes, use the current ANSI/NFPA 70 NATIONAL ELECTRICAL CODE in the United States or the current CSA C22.1 CANADIAN ELECTRICAL CODE in Canada.

Fig. 1

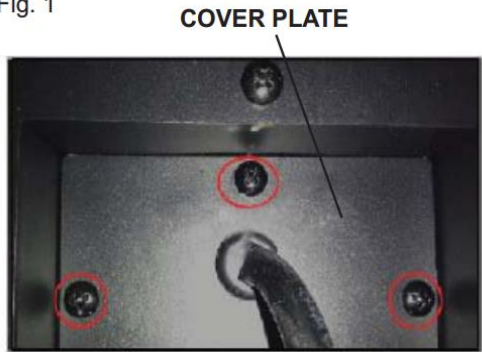
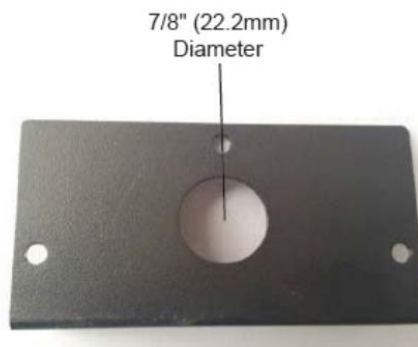
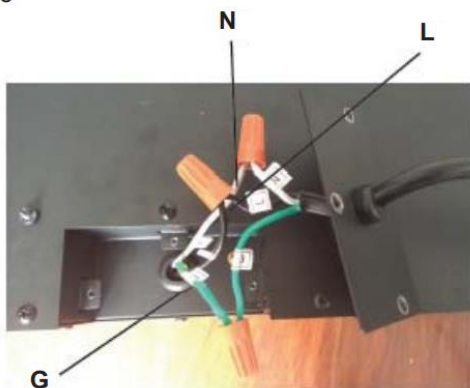


Fig. 2



- A. Remove the cover plate from the right side bottom of the appliance by removing the three screws, as shown above. Save screws for installation of new cover plate.
- B. Remove the wire connectors from the power cord. Keep power cord, in case needed in future.
- C. Remove the power cable and wires from the cover plate. Thread your wiring through the hole in the cover plate for connecting to the wires in the Sideline® Outdoor/Indoor fireplace.
- D. Using the wire connectors, connect the ground green wires (G), the common white wires (N) together, then the hot black wires (L). Refer to fig. 3.
- E. Reinstall the cover plate using the three screws, as shown in Figure 1.

Fig. 3



## Installation

### WARNINGS

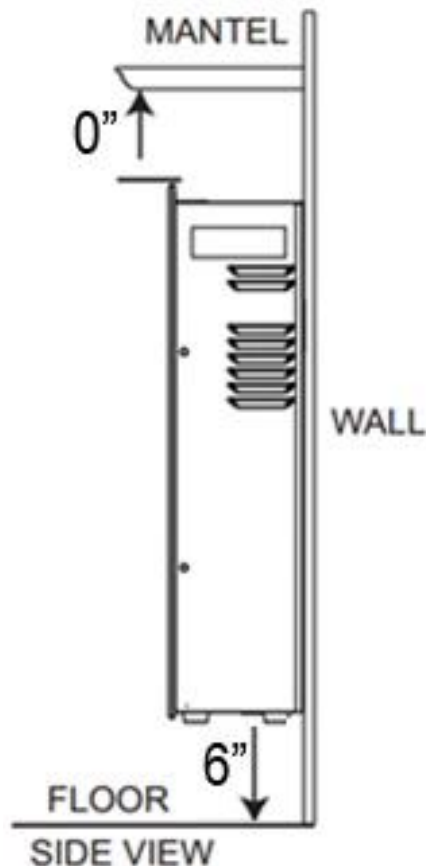
- Wear safety gloves and safety glasses for protection during installation. Broken glass may cause injury or harm.
- Prevent contact with loose insulation. Do not install the fireplace against a vapor barrier or exposed insulation.

### Choosing Installation Location

#### Choosing Wall Location

- Measure wall location to ensure that fireplace will fit on desired wall location.
- Minimum clearances (measurements taken from front of glass panel):

<b>Bottom of Fireplace to Floor:</b>	6"	<b>Top of Fireplace:</b>	0"
<b>Sides of Fireplace:</b>	0"	<b>Back of Fireplace:</b>	0"



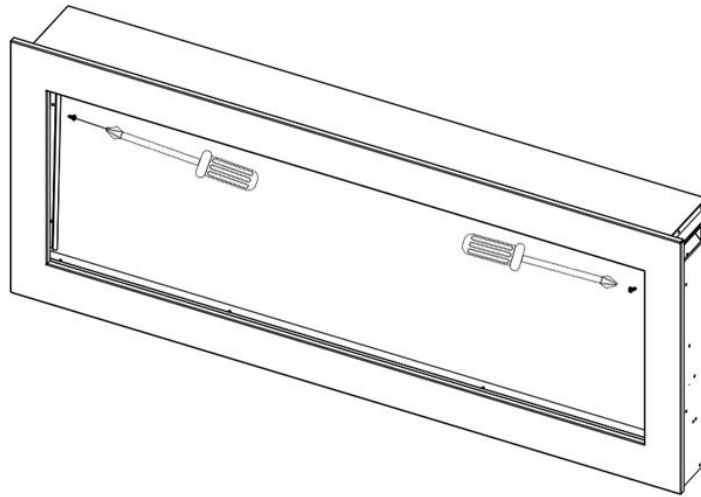
- See Safety Information on p. 4 for warnings about safe placement, safe installation, and proper use of this product.

## Removing The Front Panel

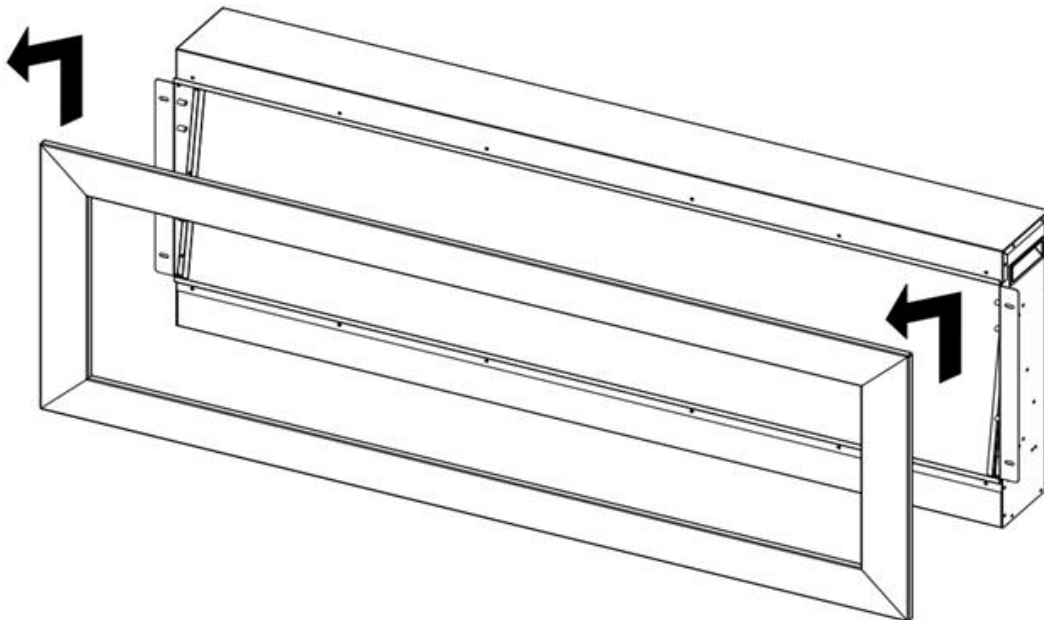
Remove the glass panel prior to installation. Please remove glass panel as per instructions below:

### Instructions:

1. There are 2 screws that hold the front panel on the fireplace, one on the far left and one on the far right side of the fireplace. Remove both screws as shown below.

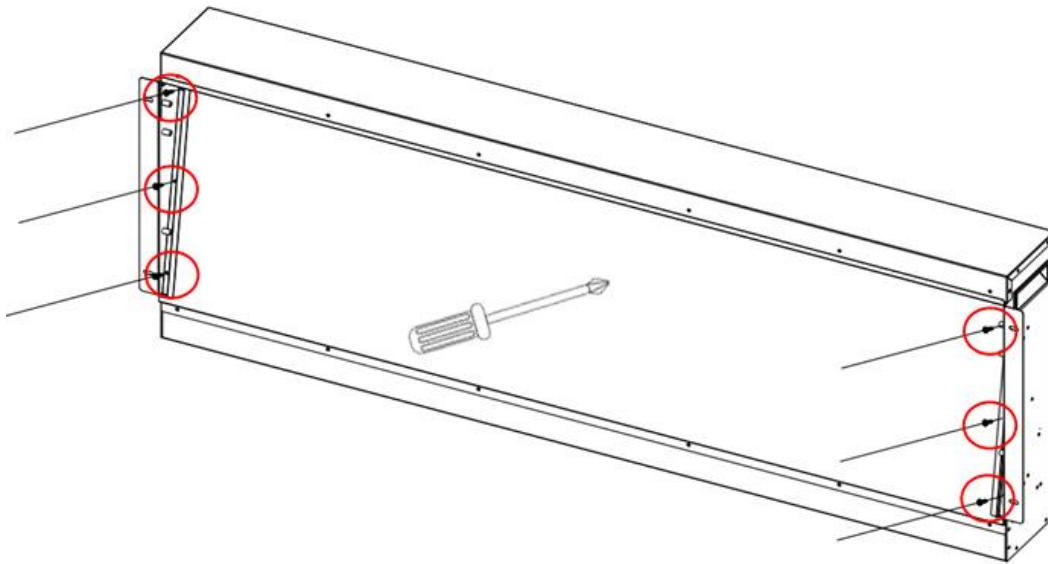


2. Once the 2 mounting screws are removed, lift and pull the metal front trim panel away from the fireplace.



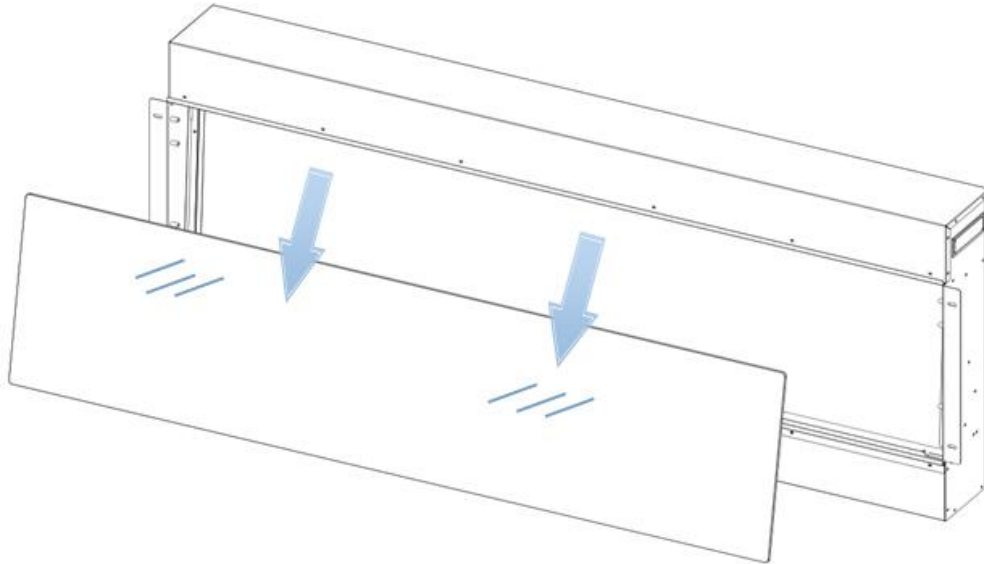
## Removing The Front Panel – cont.

3. Remove the left and right trim pieces that secure the glass panel in place, as shown below.



4. Once the trim pieces are removed, remove the glass panel.

**CAUTION:** *It is recommended that 2 people remove the glass panel to minimize chance of breakage.*

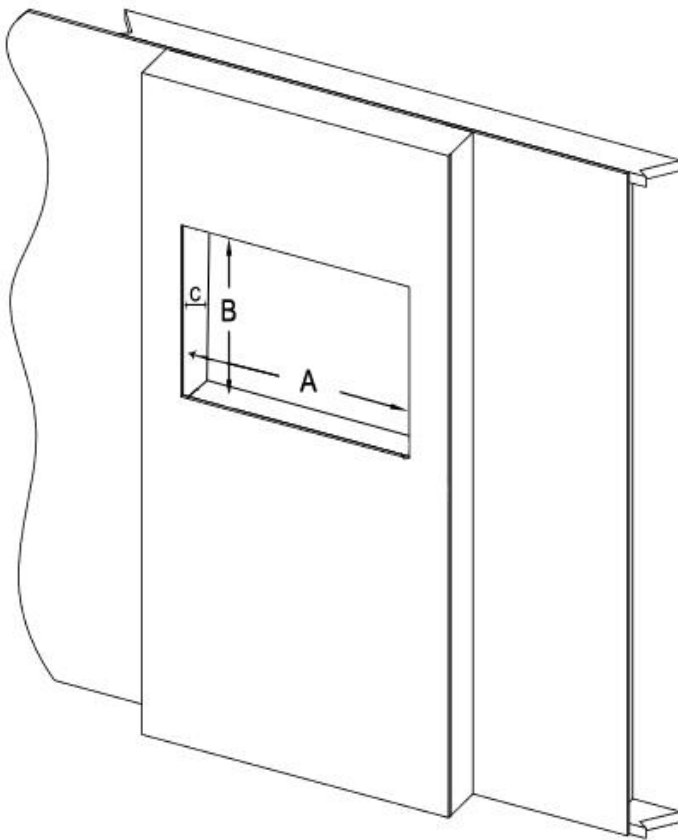


## Recessed Installation

- Due to many different finish materials use on walls, it is highly recommended that you consult your local builder before you install this fireplace in the wall.
- In order to avoid the possibility of exposed insulation or vapor barrier coming in contact with the fireplace, it is recommended that the walls of the fireplace enclosure be “finished” (ie. Sheetrock, drywall, etc) as you would finish any other outside wall of your home. This will ensure that clearance to combustibles is maintained within the wall cavity.
- Never install fireplace into load-bearing walls. When recessing fireplace in a wall, recess into non-load bearing walls ONLY!

### Instructions:

1. Choose a location in the wall to install fireplace.
2. Create opening in the wall that is no more than ¼” larger than width or height of the metal firebox portion of fireplace. The depth of the opening in the wall should be no less than ¼” larger than the depth of the metal firebox.



### Firebox Dimensions

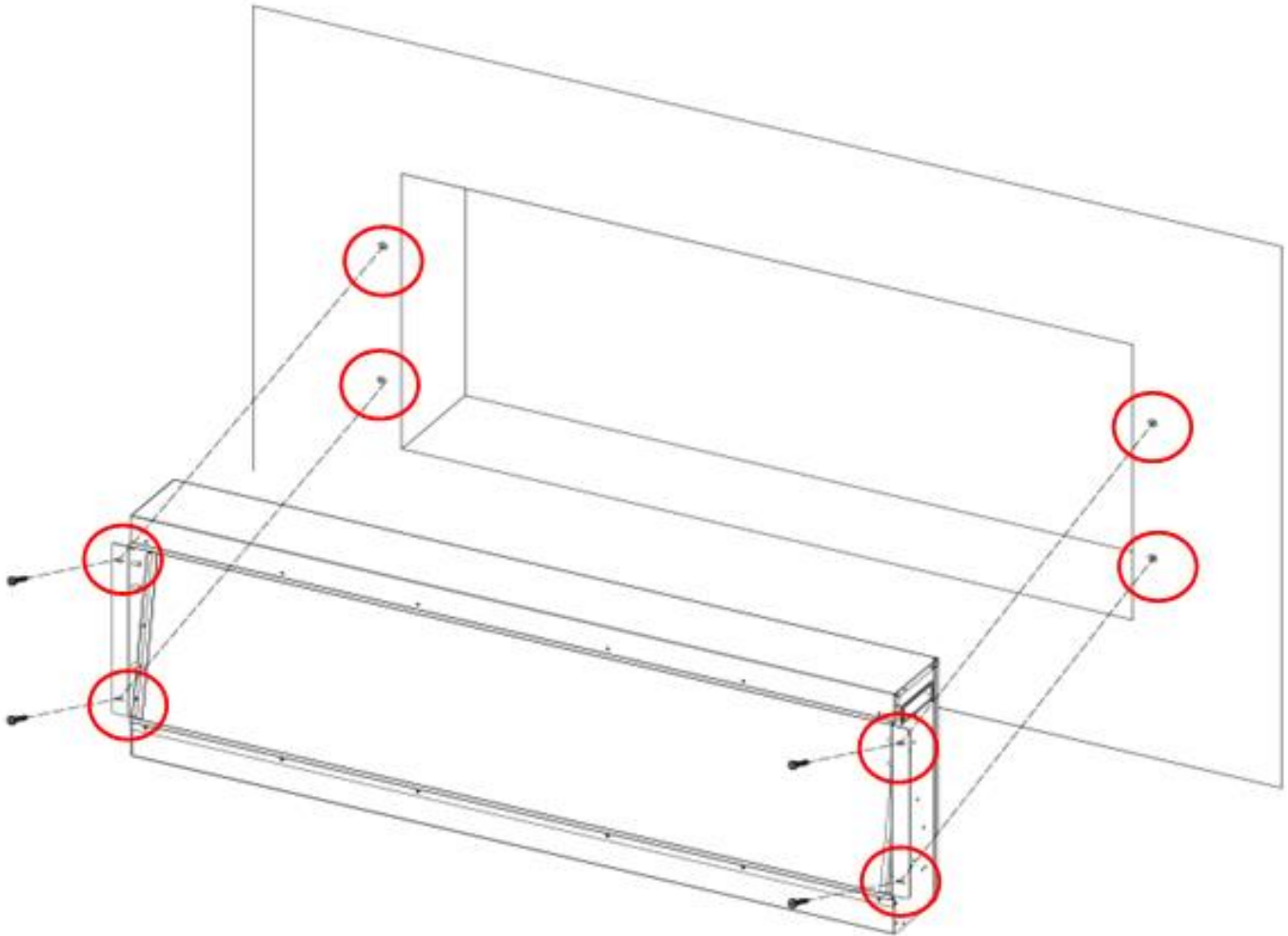
Model	Width	Height	Depth
80017	47 ¾”	16 ¾”	5 ½”

### Rough Opening Dimensions

Model	A (Width)	B (Height)	C (Depth)
80017	48”	17”	5 ¾”

**Recessed Installation – cont.**

3. Have two people lift the firebox and place the firebox in the opening within the wall. Attach the firebox to the framing studs with 4 wood screws (2 on each side) as shown below.

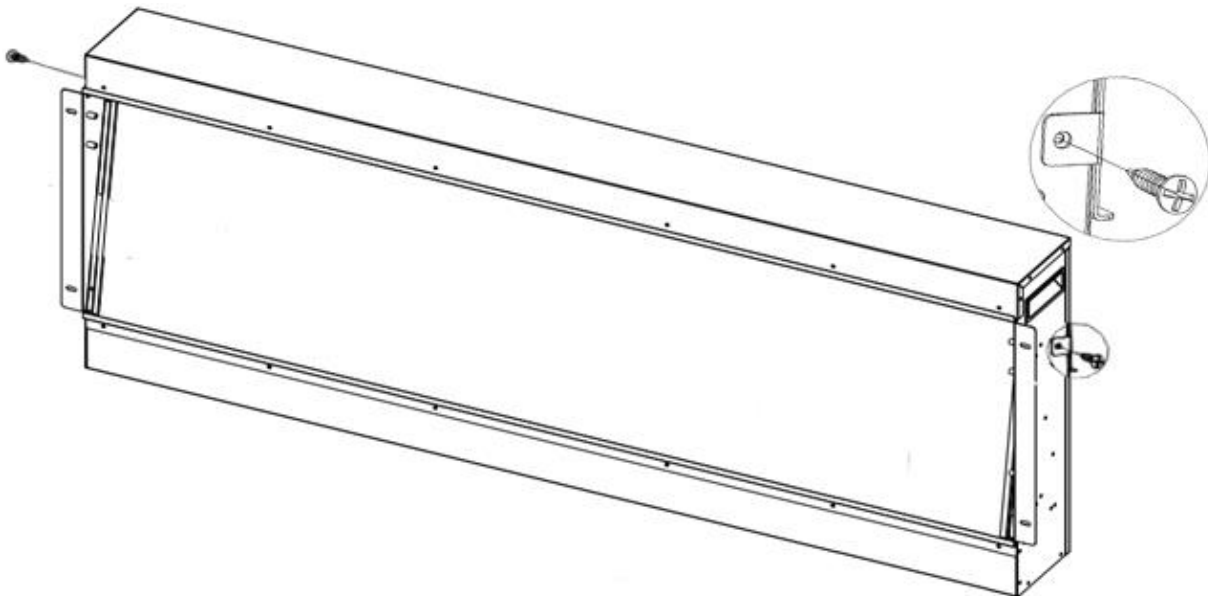


## Wall Mounted Installation

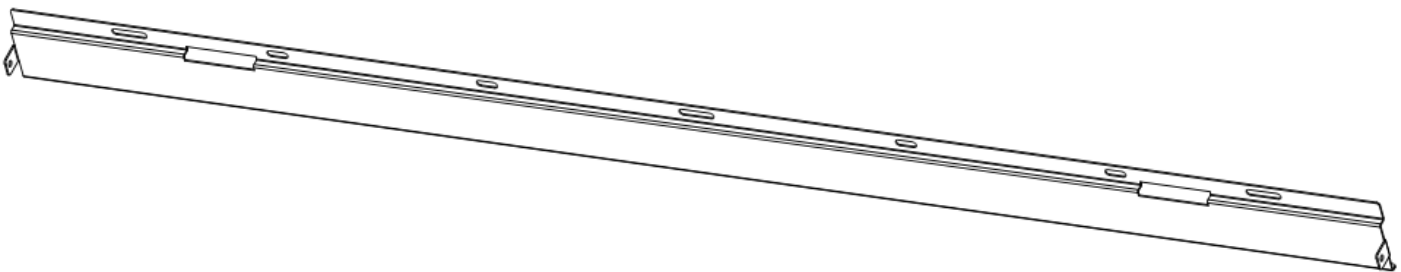
- Due to many different finish materials use on walls, it is highly recommended that you consult your local builder before you install this fireplace on the wall.

### Instructions

1. Select a location that will accommodate the fireplace.
2. With front panel removed (see p.11 for instructions on removing front panel), have two people hold the fireplace against the wall to determine the final location. Mark the location on the wall.
3. Remove the screws on both sides with a Phillips-head screwdriver, then remove the wall bracket. The bracket must be held tightly while screws are being removed, to avoid them from falling on the fireplace and causing damage or injury.

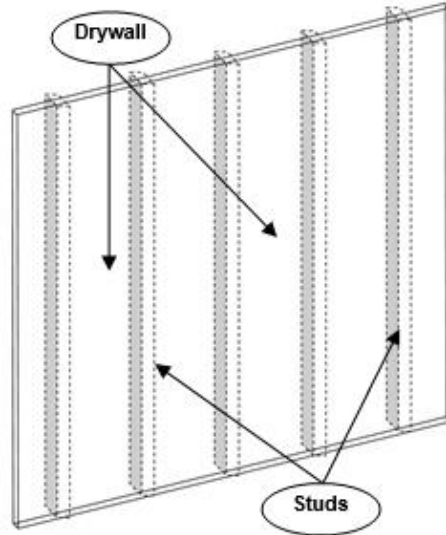


3. Put the mounting bracket and screws off to the side for mounting to the wall.



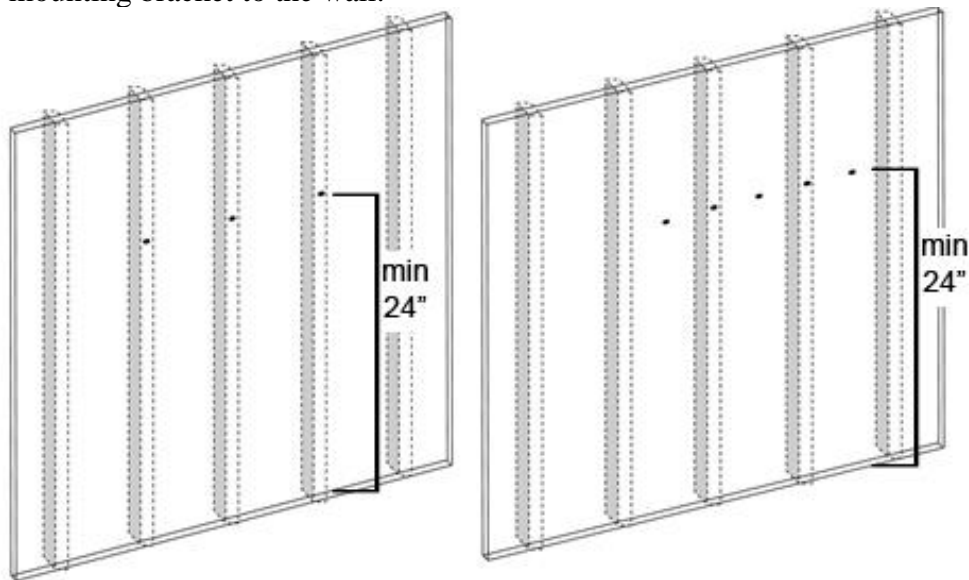
## Wall Mounted Installation – cont.

4. Locate the wall studs using an electronic stud-finder. It is recommended that the mounting bracket be fastened to at least 2 studs (3 studs recommended).



5. Using the wall mount bracket as a template, mark the holes on the wall at least 8” apart, with 3 of the holes preferably lining up with 3 studs.

When hanging the wall bracket, it is recommended to fasten the mounting bracket to 3 studs. If fastening to 3 studs, no drywall anchors would need to be used. If fastening to only 2 studs, then 3 drywall anchors would need to be used to fasten the mounting bracket to the wall.

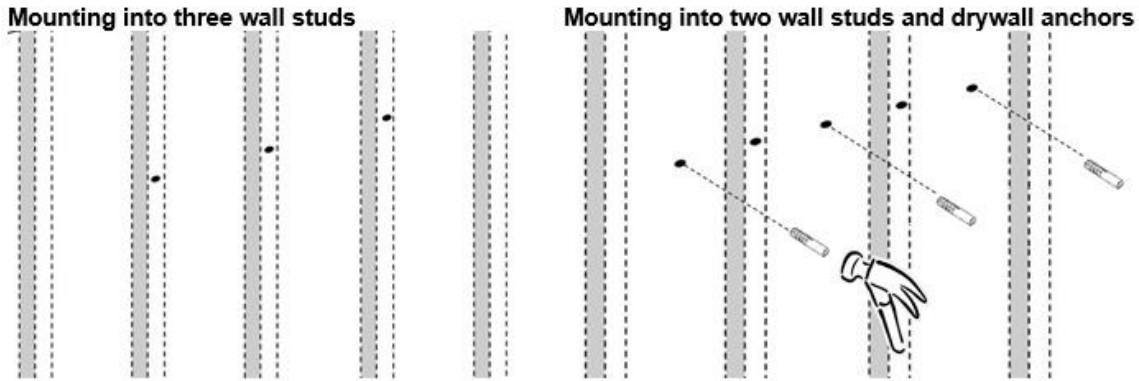


**Note:** The minimum height from the bottom of the fireplace, once hung on the wall, to the surface below must be at least 6”. To meet this criteria, the wall mount bracket should be hung no lower than 24” from the ground to the top of the mounting bracket when mounted on the wall.

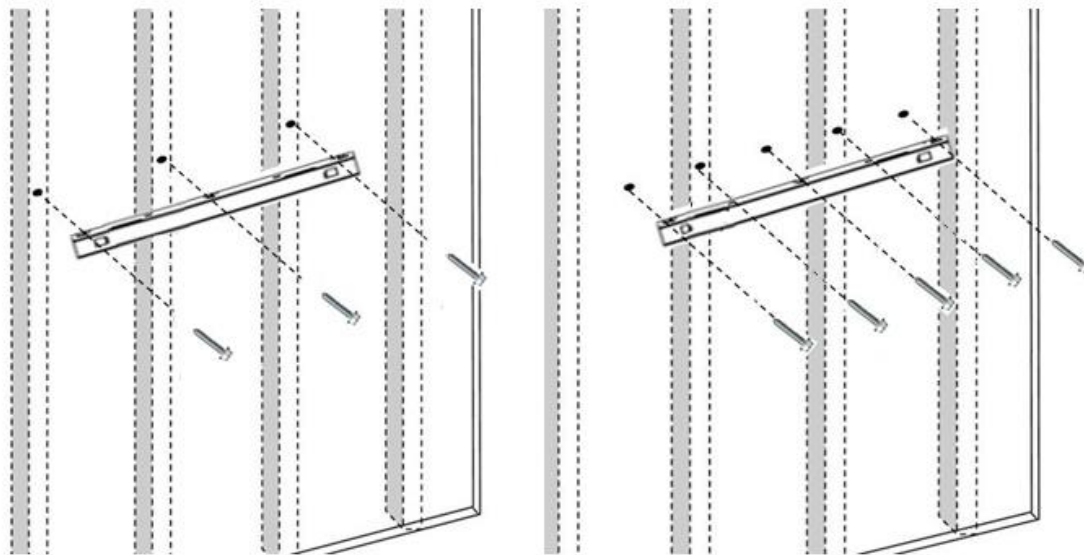


## Wall Mounted Installation – cont.

6. Once the holes are marked, use a ¼” drill bit to drill a pilot hole. If the screws will fasten to 3 studs, then no drywall anchors are needed. If screws only go into 2 studs, 3 drywall anchors will be needed. Tap the drywall anchors into the wall until they are flush with the drywall surface.



7. Align the holes in the wall bracket with the pilot holes and drywall anchors. Thread wood screws into the holes in the wall bracket and then directly into the wall studs and/or drywall anchors. Make sure the bracket is level and tighten all screws securely.



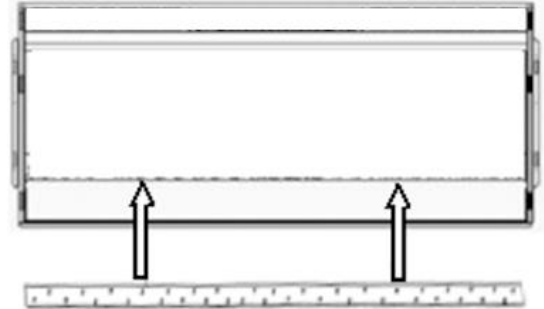
8. Once the bracket is secured to the wall, the fireplace may now be hung on the wall mount bracket.

## Installing the Crystal Embers and Drift Wood Logs

Once the fireplace is installed in the wall, place crystal embers or fire log in the fireplace.

### Installing the Crystal Embers

1. Place plastic tray strip in fireplace above the LED lights as shown in the diagram to the right.

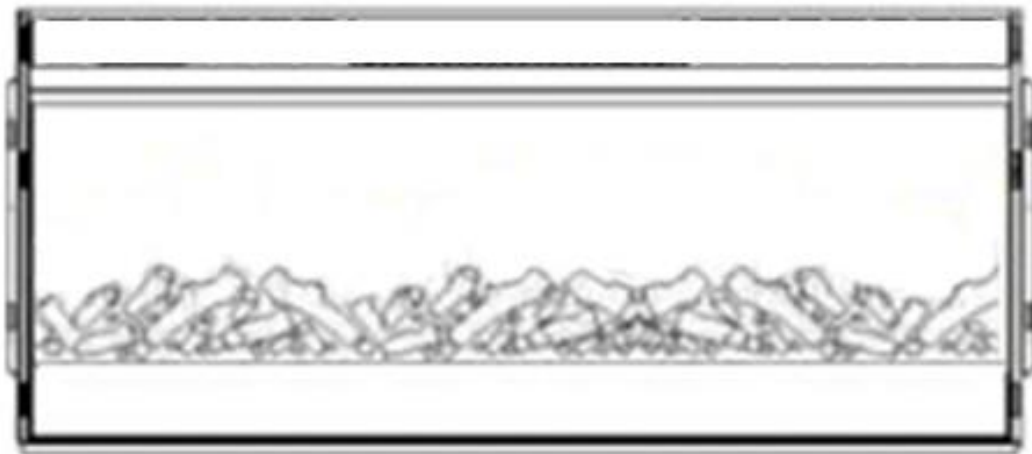


2. Carefully, place crystal embers on plastic strip as illustrated in the picture to the right. Apply an even layer from side to side.



### Installing the Drift Wood Logs

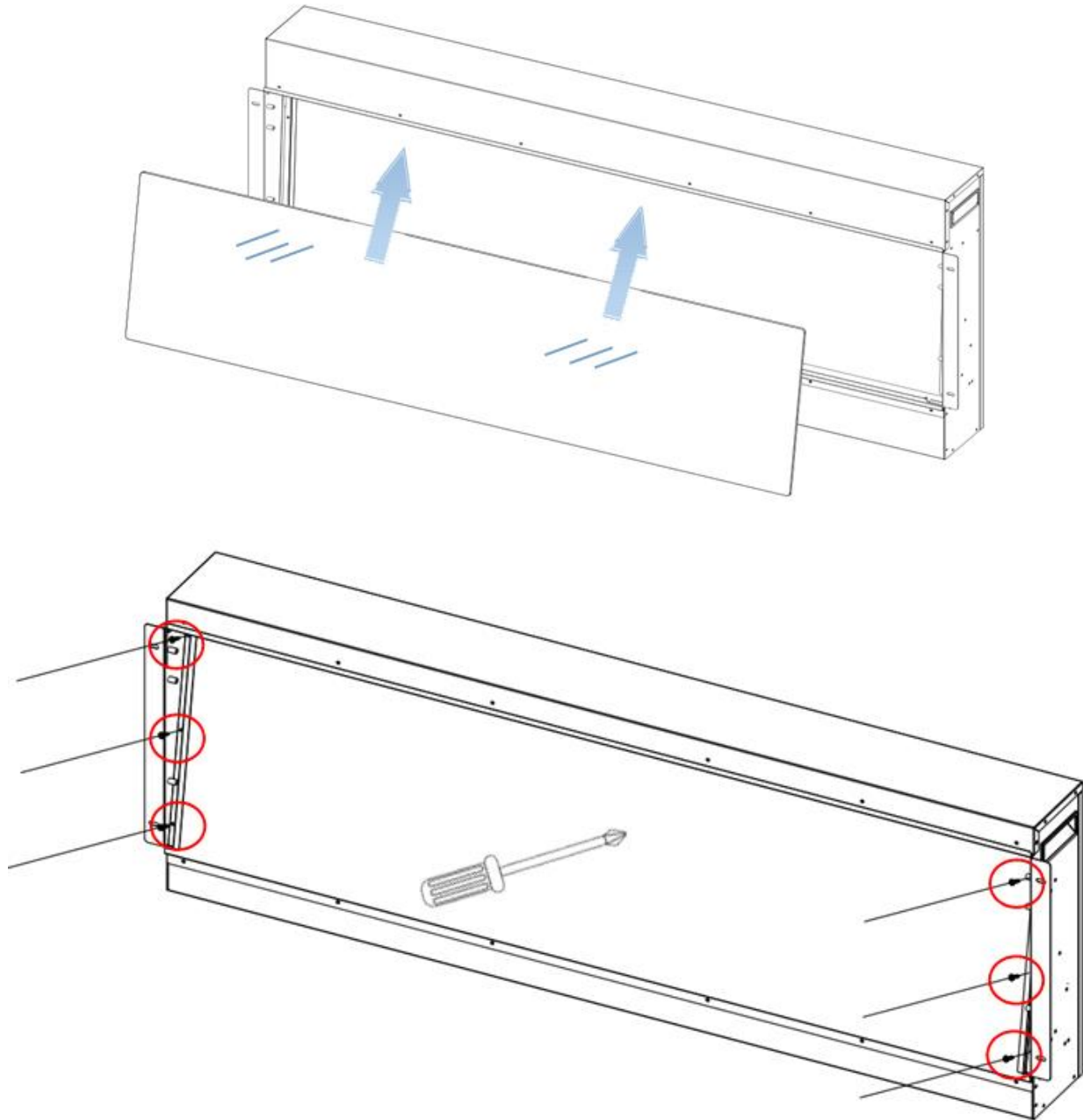
1. Place faux fire log in the fireplace as shown below.



## Reinstalling The Front Panel

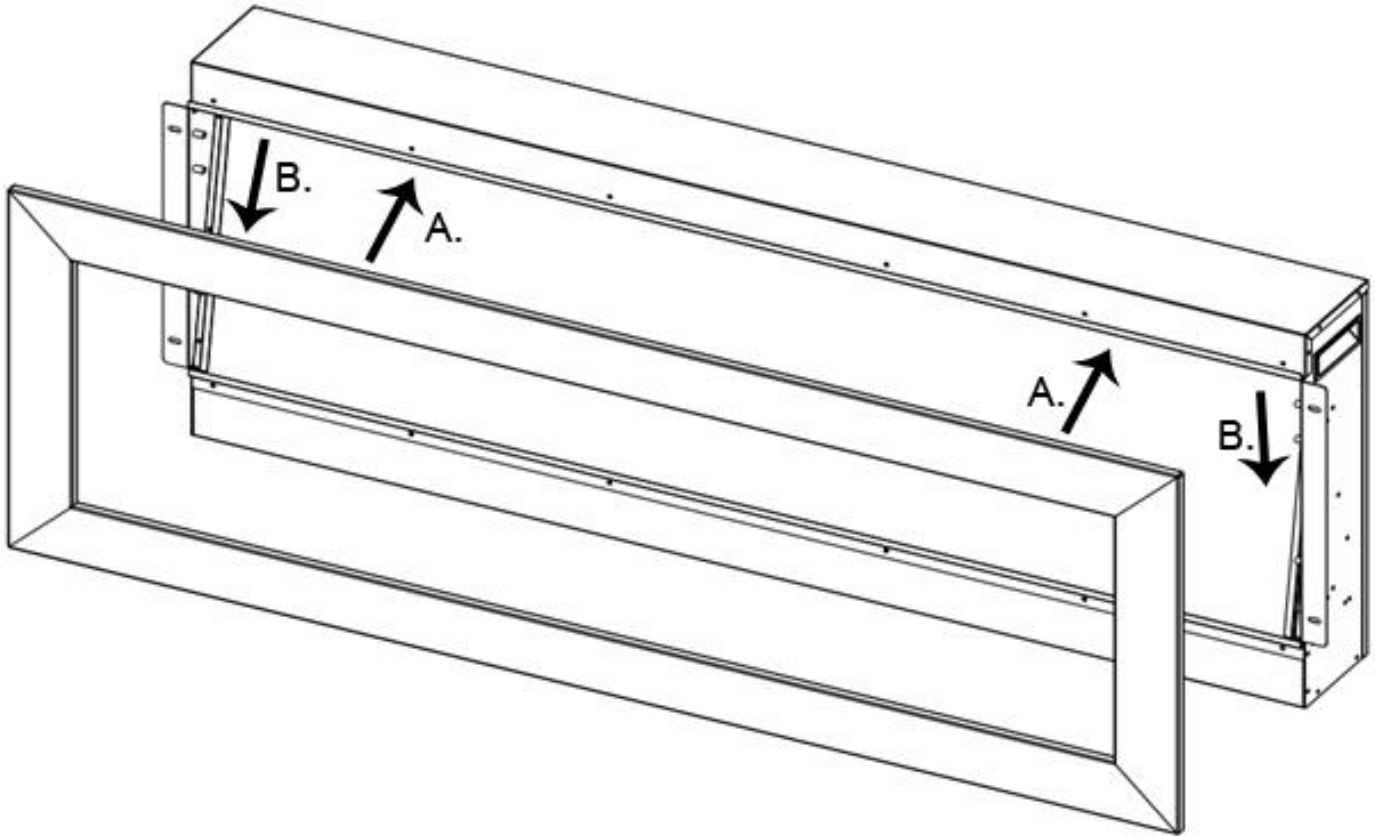
Once completed installing crystal embers or fire log, you are now ready to reinstall the front panel.

1. Reinstall the glass panel on the firebox and secure trim pieces that hold glass in place.



**Reinstalling The Front Panel – cont.**

2. Once the glass panel is in place, reinstall the black metal frame panel and securing with locking screws. To reinstall the glass panel, align the black metal frame panel with the firebox (A) and push the frame panel down to lock the panel in place (B).



Your Sideline® Outdoor/Indoor fireplace is now ready for use!

## Operating Fireplace

Once the fireplace has been plugged into a grounded outlet, the fireplace is now ready for operation. Ensure that the house circuit breakers for the power supply are turned on.

### Power





Plug the power cable into a 110v 15 amp grounded outlet. Make sure the outlet is in good condition and that the plug is not loose. **NEVER** exceed the maximum amperage for the circuit. **DO NOT** plug other appliances into the same circuit.

Always plug this fireplace into a wall outlet or receptacle. Never plug this fireplace into a surge protector, extension cord, or relocatable power tap.

### Methods of Operation

This electric fireplace can be operated by the CONTROL PANEL or by the REMOTE CONTROL. The operation and functions of both methods are the same

#### Control Panel and Remote Control Functions

BUTTON	FUNCTION	ACTION & INDICATION
 <b>POWER</b>	<p><b>ON:</b> Enables control panel functions and remote control. Turns on the flame effect.</p> <p><b>OFF:</b> Disables control panel functions and remove control. Turns off the flame effect.</p>	<p>1. <b>Press once.</b> Indicator light turns on. Power turns on. All functions enabled.</p> <p>2. <b>Press again.</b> Flame effect turns off. Unit goes to standby. All functions turn off.</p>
 <b>TIMER</b>	<p><b>TIMER button:</b> Control time settings to turn off fireplace at selected time.</p> <p>Settings range from 0.5 hours to 7.5 hours.</p>	<p>1. <b>Press once.</b> Indicator light turns on. Timer is set to 0.5 hours.</p> <p>2. <b>Press again until desired setting is reached.</b> Indicator lights show setting.</p>
 <b>FLAME</b>	<p><b>FLAME button:</b> Makes flame effects dimmer or brighter.</p> <p><b>NOTE:</b> Flame effect stays on until power button is turned off.</p>	<p>1. <b>Press once</b> to change the flame brightness.</p> <p>2. <b>Press again</b> until desired setting is reached.</p>
 <b>COLOR</b>	<p><b>COLOR button:</b> Changes the color of the flame.</p>	<p>1. <b>Press once</b> to change the color of the flame.</p> <p>2. <b>Press again</b> until desired setting is reached.</p>

## Remote Control Operation

- This remote control uses two AAA batteries or one CR2032 battery (**Not included**). Check the remote control model for proper batteries to use.
- Instructions for battery installation are located in the remote control battery compartment.
- To improve operation of the remote control, aim the remote control at the front of the fireplace. **DO NOT PRESS the buttons too quickly.** Give the unit time to respond to each command.
- **NOTICE: NEVER** dispose of batteries in fire. Failure to observe this precaution **may result in an explosion.** Dispose of batteries at your local hazardous material processing center.

## Care and Maintenance

### Cleaning

- **ALWAYS** turn the fireplace **OFF** and unplug the power cord from the outlet before cleaning, performing maintenance, or moving the fireplace. Failure to do so could result in electric shock, fire, or personal injury.
- **NEVER** immerse in water or spray with water. Doing so could result in electric shock, fire, or personal injury.

### Metal:

- Buff using a soft cloth, slightly dampened with citrus oil-based product.
- **DO NOT** use brass polish or household cleaners, as these products will damage the metal trim.

### Glass:

- Use a good quality glass cleaner sprayed onto a cloth or towel. Dry thoroughly with a paper towel or lint-free cloth.
- **NEVER** use abrasive cleansers, liquid sprays, or any cleaner that could scratch the surface.

### Vents:

- Use a vacuum or duster to remove dust and dirt from the vent areas.

### Plastic:

- Wipe gently with a slightly damp cloth and a mild solution of dish soap and warm water.
- **NEVER** use abrasive cleansers, liquid sprays, or any cleaner that could scratch the surface.

## Maintenance

- **RISK OF ELECTRIC SHOCK! DO NOT OPEN any panels. No user-serviceable parts inside!**
- **ALWAYS** turn the fireplace **OFF** and unplug the power cord from the outlet before cleaning, performing maintenance, or moving the fireplace. Failure to do so could result in electric shock, fire, or personal injury.

### Electrical and Moving Parts:

- The fan motors are lubricated at the factory and will not require lubrication.
- Electrical components are integrated in the fireplace and are not serviceable by the customer.

### Storage:

- Store fireplace in a clean, dry place when not in use.

## Warranty

### ***Touchstone Home Products Limited Warranty***

Touchstone Home Products®, Inc offers a one (1) year limited warranty on all our electric fireplaces. The one (1) year warranty starts on the date of purchase and expires 1 calendar year from the original date of purchase.

Electrical components, such as fan motor, heater motor (if included), control board, remote control, LED lights and control panel are covered under warranty for one year from date of purchase. Touchstone Home Products® will provide replacement parts free of charge during the first year of the warranty.

Touchstone Home Products® will not be responsible for installation, labor, or any other expenses related to the reinstallation of a warranted part, and such expenses are not covered under warranty.

### ***Conditions and Limitations***

Touchstone Home Products®, Inc warrants our electric fireplaces to be free of defects in material and workmanship to the original purchaser only. Registering your warranty is not necessary. Just provide your proof of purchase along with the model fireplace to make a warranty claim.

Warranty coverage begins on the date of purchase.

The factory warranty is non-transferrable.

Touchstone Home Products®, Inc does not cover damages caused by abuse, accident, alterations, lack of maintenance, misuse, or neglect. Parts installed from other manufacturers will void the warranty.

Touchstone will repair or replace any fireplace or fireplace part that is deemed defective or becomes defective during normal use within one (1) year after the date of purchase.

Replacement parts and replacement fireplace units are covered under a 90-day warranty or the remainder of the original one (1) year manufacturer's warranty from original date of purchase, whichever is greater.

Touchstone Home Products®, Inc does not warrant its products against damage caused by third parties.

The warranty does not cover paint scratches, cosmetic blemishes, dents, corrosion, or other normal wear and tear associated with the fireplace. Damage to fireplace or other components due to water, weather damage, long periods of dampness, condensation, damaging chemicals or cleaners are not covered under warranty.

Touchstone Home Products limited warranty does not cover accidental breakage of fireplace glass panel.

Extended warranty coverage for the fireplace is available by contacting Touchstone Home Products® directly at 1-800-215-1990.



**CALL US FIRST!**  
**DO NOT RETURN TO STORE.**



For immediate help with assembly, product information,  
or if your product arrives damaged, call our toll-free number at

**800-215-1990**

or email:

[customerservice@thpus.com](mailto:customerservice@thpus.com)

**Our staff is ready to provide assistance.**

Affix Serial Number Label Here